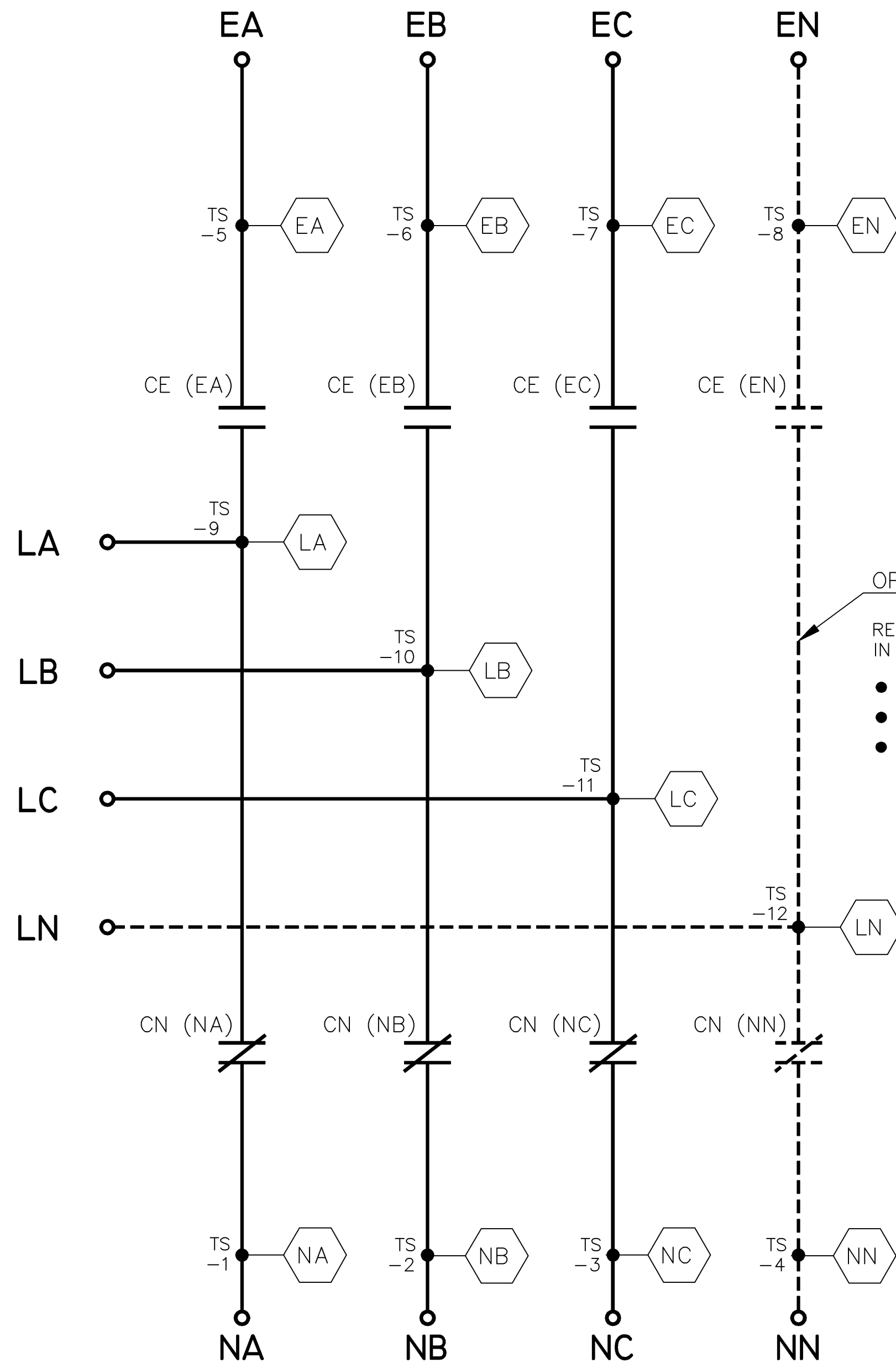


EMERGENCY

NORMAL

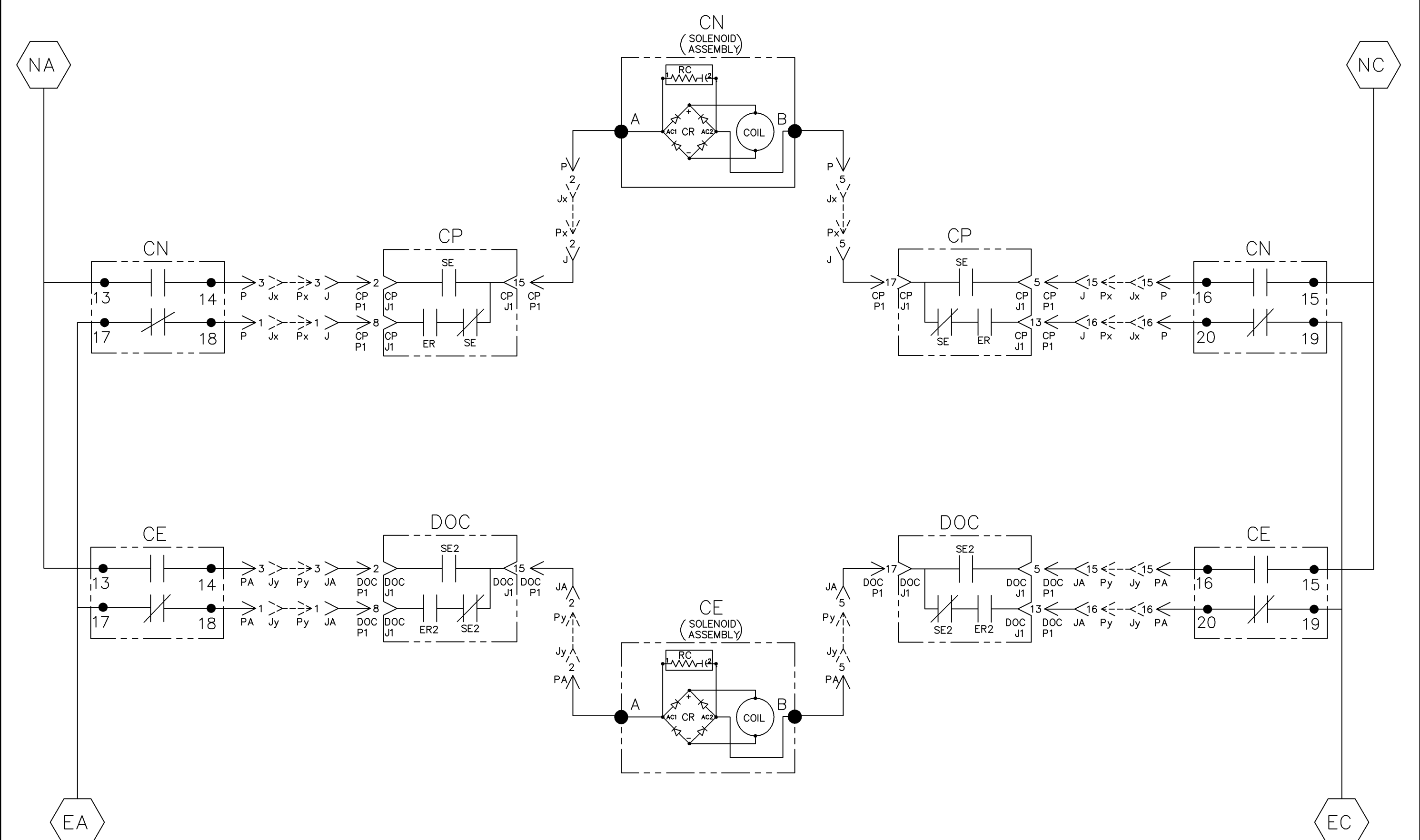


OPTIONAL NEUTRAL TYPES
 REFER TO "EXPLANATION OF CATALOG NUMBER CODES" IN CATALOG NUMBER CHART ON SHEET 1.

- NONE
- SWITCHING
- SOLID BUS PLATE

NORMAL

EMERGENCY



NOTE:
 ATS SHOWN CLOSED ON NORMAL SOURCE.

CN	SOLENOID POSITION			
	CLOSED BEFORE NORMAL TDC	>	<	BEFORE OPEN
13-14				
15-16				
17-18				
19-20				

CE	SOLENOID POSITION			
	OPEN	BEFORE TDC	>	BEFORE CLOSED
13-14				
15-16				
17-18				
19-20				

TDC (TOP DEAD CENTER)
 TRANSFER SWITCH TEST & ADJUSTMENT PROCEDURE
 SPECIFIES CONTROL CUT-OFF (CONTACT OPENING) SETTING.

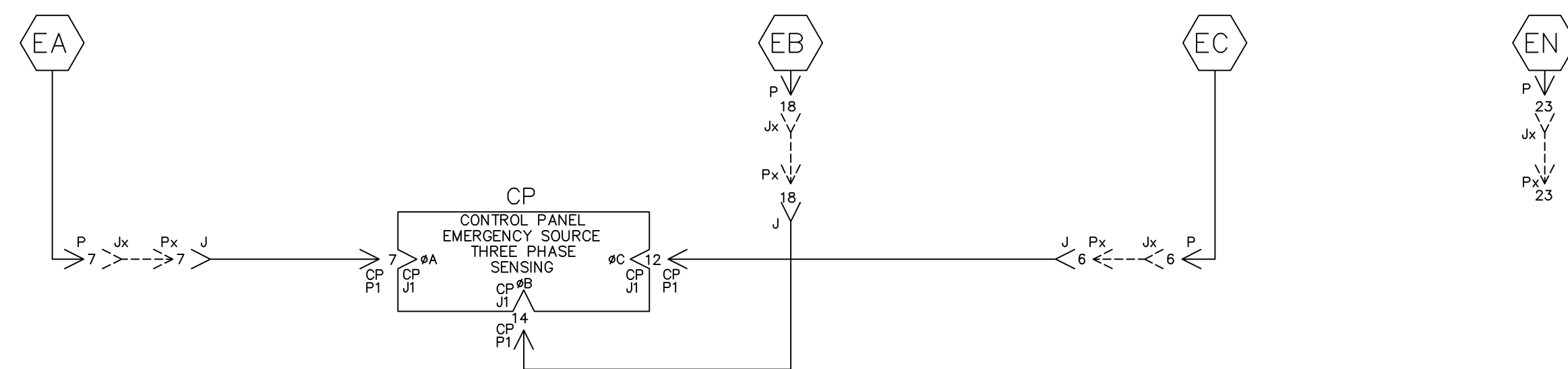
PROJECT NAME: WIRING DIAGRAM		SUBSIDIARY DISTRIBUTION	
4000 SERIES (H4ADTS/H4NDTS) GROUP 5 CONTROLS		<input type="checkbox"/> AN <input type="checkbox"/> AM <input type="checkbox"/> AJ <input type="checkbox"/> AL <input type="checkbox"/> <input type="checkbox"/> AV <input type="checkbox"/> AA <input type="checkbox"/> PS <input type="checkbox"/> AR <input type="checkbox"/> <input type="checkbox"/> AP <input type="checkbox"/> AC <input type="checkbox"/> AS <input type="checkbox"/>	
DRAWN BY: JPB CHECKED: JPB DRAFTING APPROVAL: JPB FINAL APPROVAL: JPB	DATE: 6/17/05 DATE: 6/17/05 DATE: 6/17/05 DATE: 6/17/05	MANUFACTURING TOLERANCES TO BE IN ACCORDANCE WITH ASCO PROCEDURE MP-1-003. FOR PLASTIC PARTS SEE MP-1-005. PROPERTY OF ASCO POWER TECHNOLOGIES. USE PERMITTED FOR OUR WORK ONLY. ALL RIGHTS OF DESIGN OR INVENTION ARE RESERVED.	ASSEM. REF. NO. COMPUTER GENERATED DRAWING SCALE: 1:1 ACAD FILE SIZE: DS766504 DWG. NO. SHEET 3 OF 6

C	205825	JPB	JPB	9/8/05
B	205768	JPB	JPB	8/31/05
A	205137	JPB	JPB	7/12/05
	204889	JPB	JPB	6/17/05

EMERGENCY SOURCE CIRCUITS

ADDITIONAL CIRCUITS

EMERGENCY



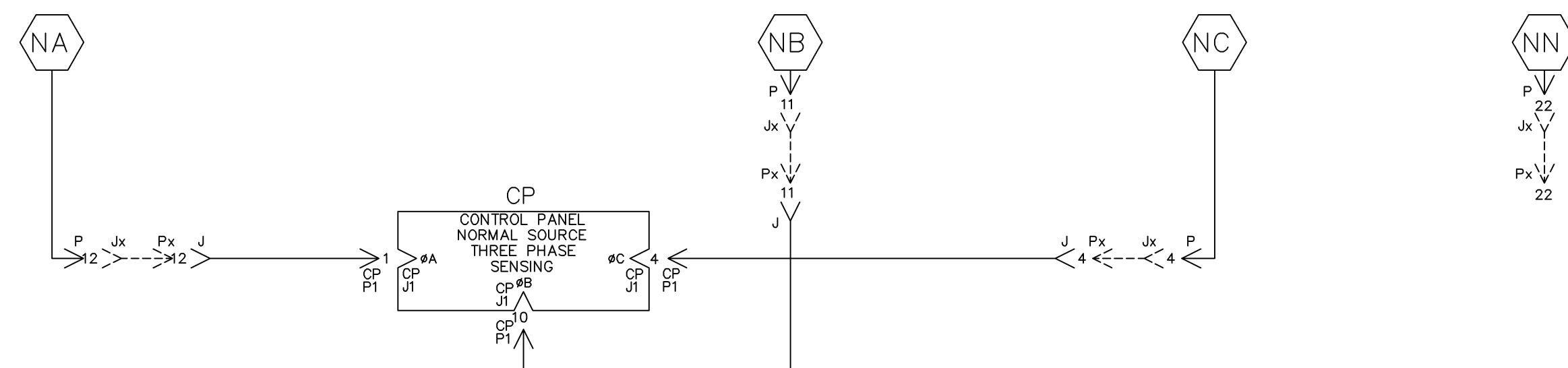
LOAD TERMINAL CIRCUITS

LOAD



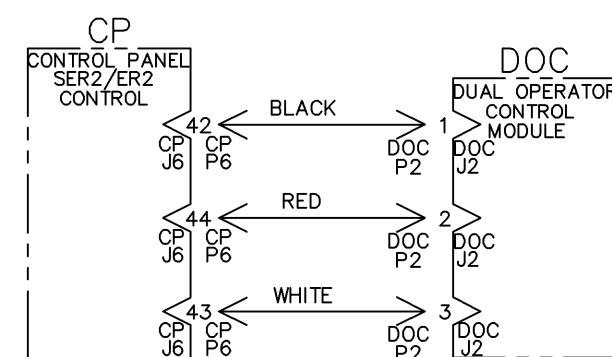
NORMAL SOURCE CIRCUITS

NORMAL

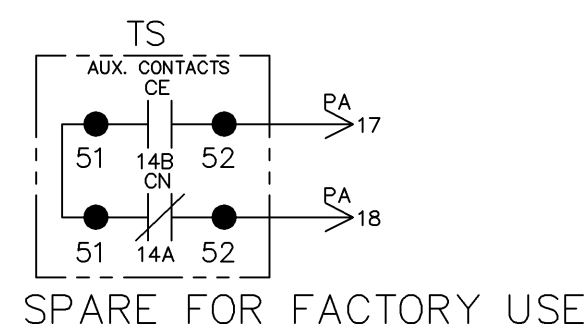
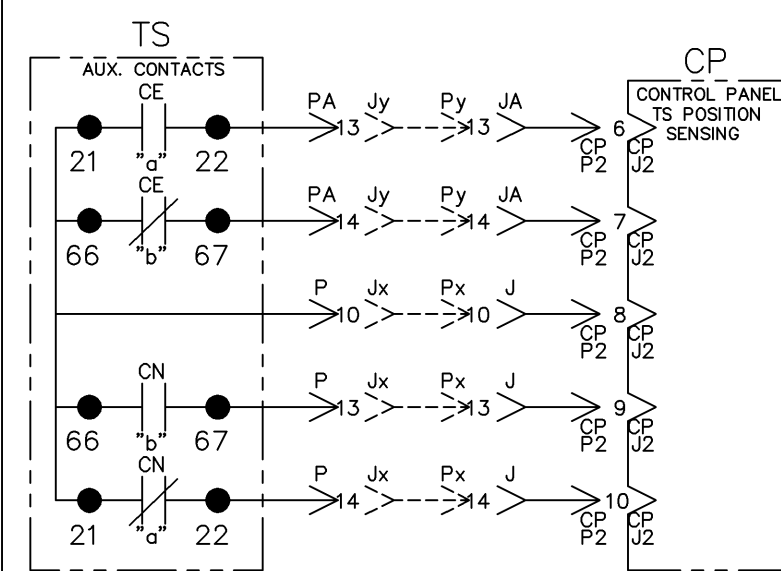


CONTROL CIRCUITS

SER2/ER2 CONTROL



TS POSITION SENSING



CHANGE LETTER	ECN NO.	BY	APP.	DATE
C	205825	JPB	JPB	9/8/05
SEE ECN				
B	205768	JPB	JPB	8/31/05
SEE ECN				
A	205137	JPB	JPB	7/12/05
SEE ECN				
	204869	JPB	JPB	6/17/05
ISSUE				

PROJECT NAME:		WIRING DIAGRAM		THIRD ANGLE PROJECTION	
4000 SERIES (H4ADTS/H4NDTS)		GROUP 5 CONTROLS			
DRAWN BY	DATE	MANUFACTURING TOLERANCES TO BE IN ACCORDANCE WITH ASCO PROCEDURE MP-1-003. FOR PLASTIC PARTS SEE MP-1-055	ASSEM. REF. NO.	COMPUTER GENERATED DRAWING	
CHECKED	DATE	PROPERTY OF ASCO POWER TECHNOLOGIES. USE PERMITTED FOR OUR WORK ONLY. ALL RIGHTS OF DESIGN OR INVENTION ARE RESERVED.		SCALE	1:1 ACAD FILE
DRAWING APPROVAL				SIZE	DWG. NO. DS766504
FINAL APPROVAL	DATE	ASCO POWER TECHNOLOGIES, L.P. FLORHAM PARK, NEW JERSEY 07932 U.S.A.		CHANGE LETTER	ECN 205825 SHEET 4 OF 6

PHYSICAL DIAGRAM

ENCLOSURE

DOOR (INSIDE)

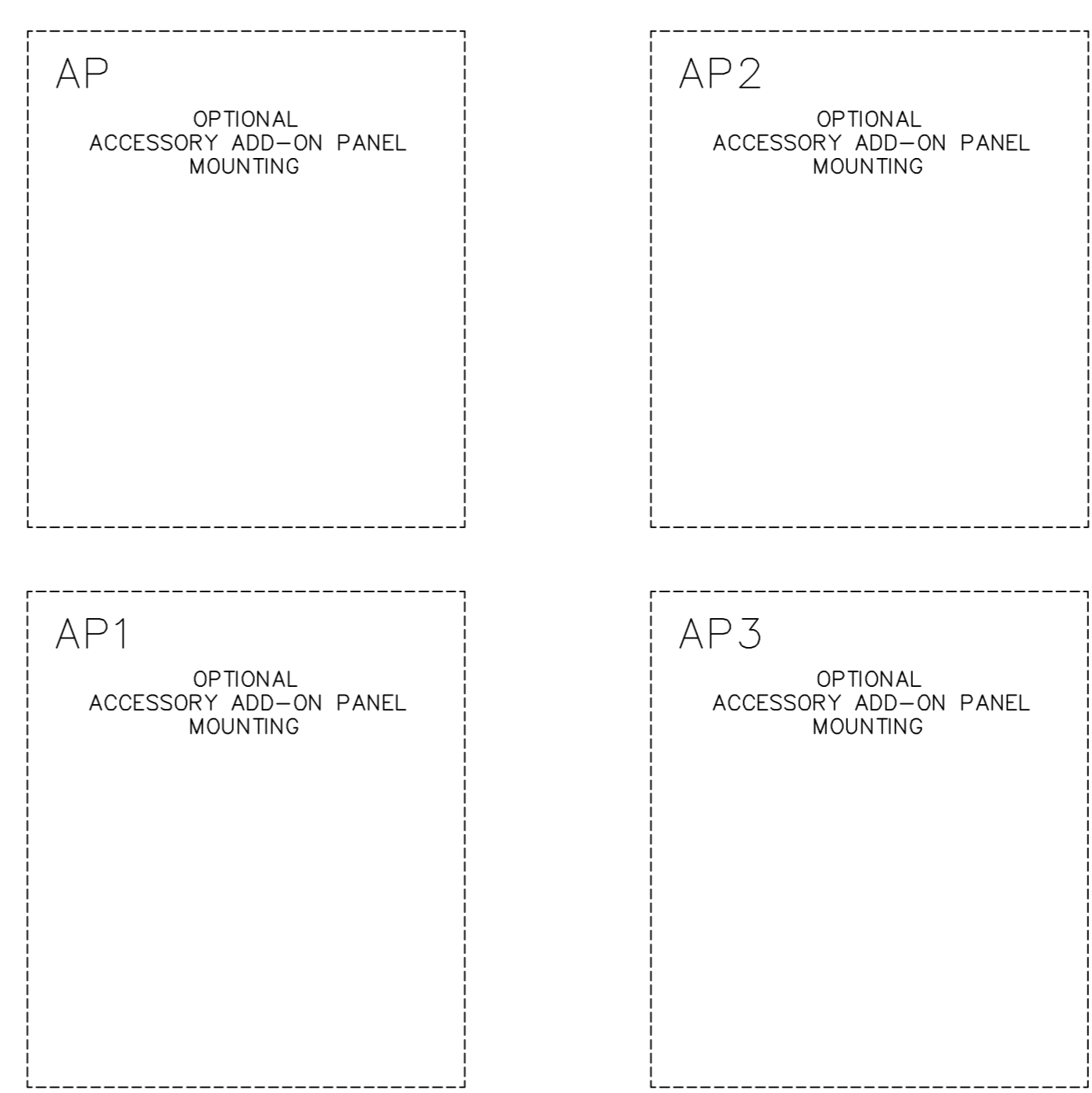
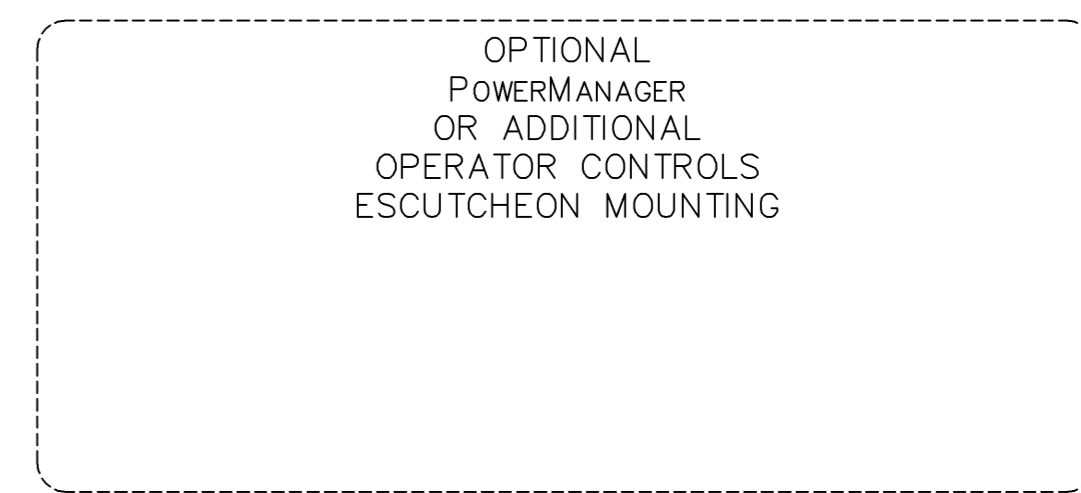
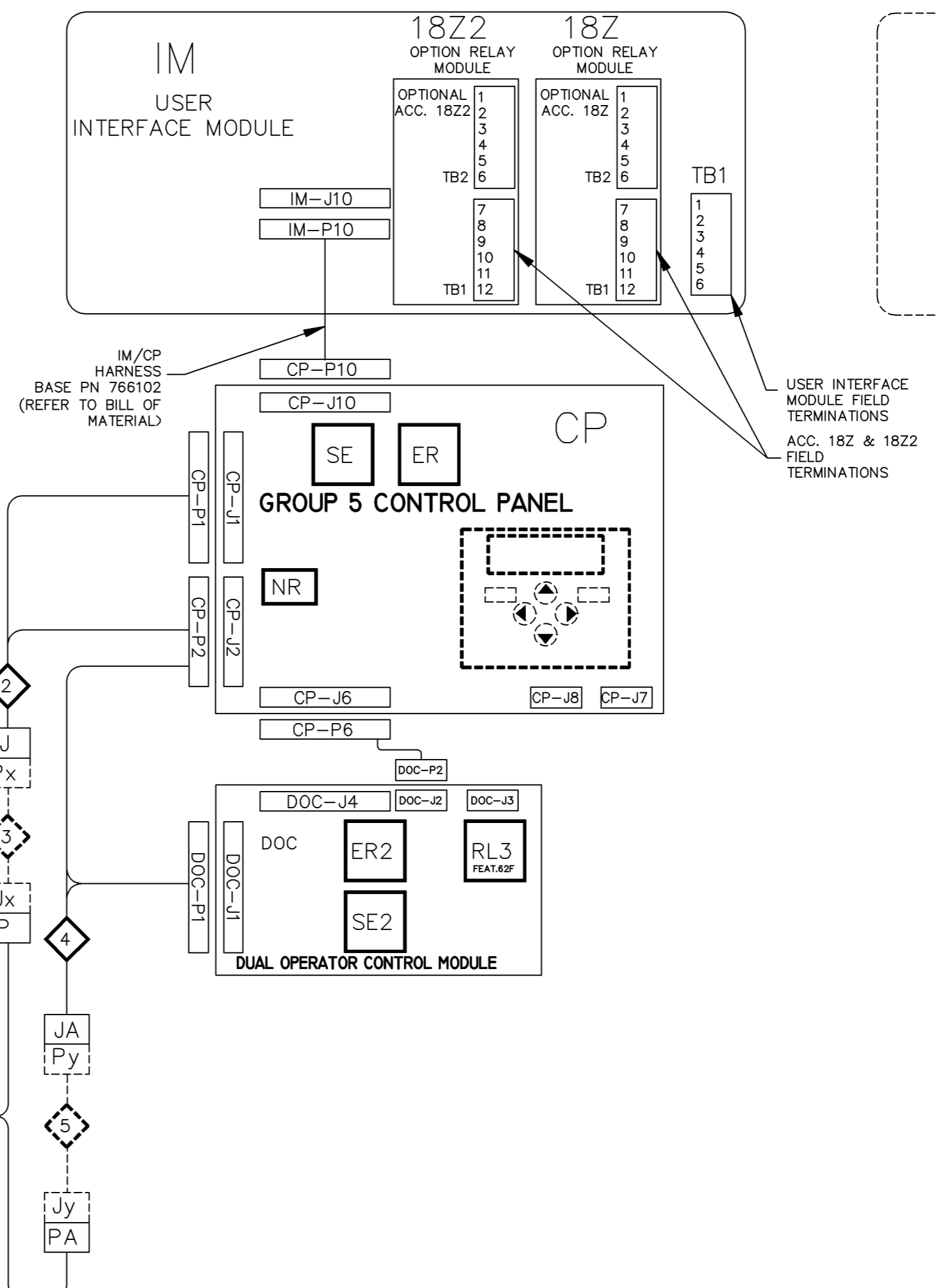
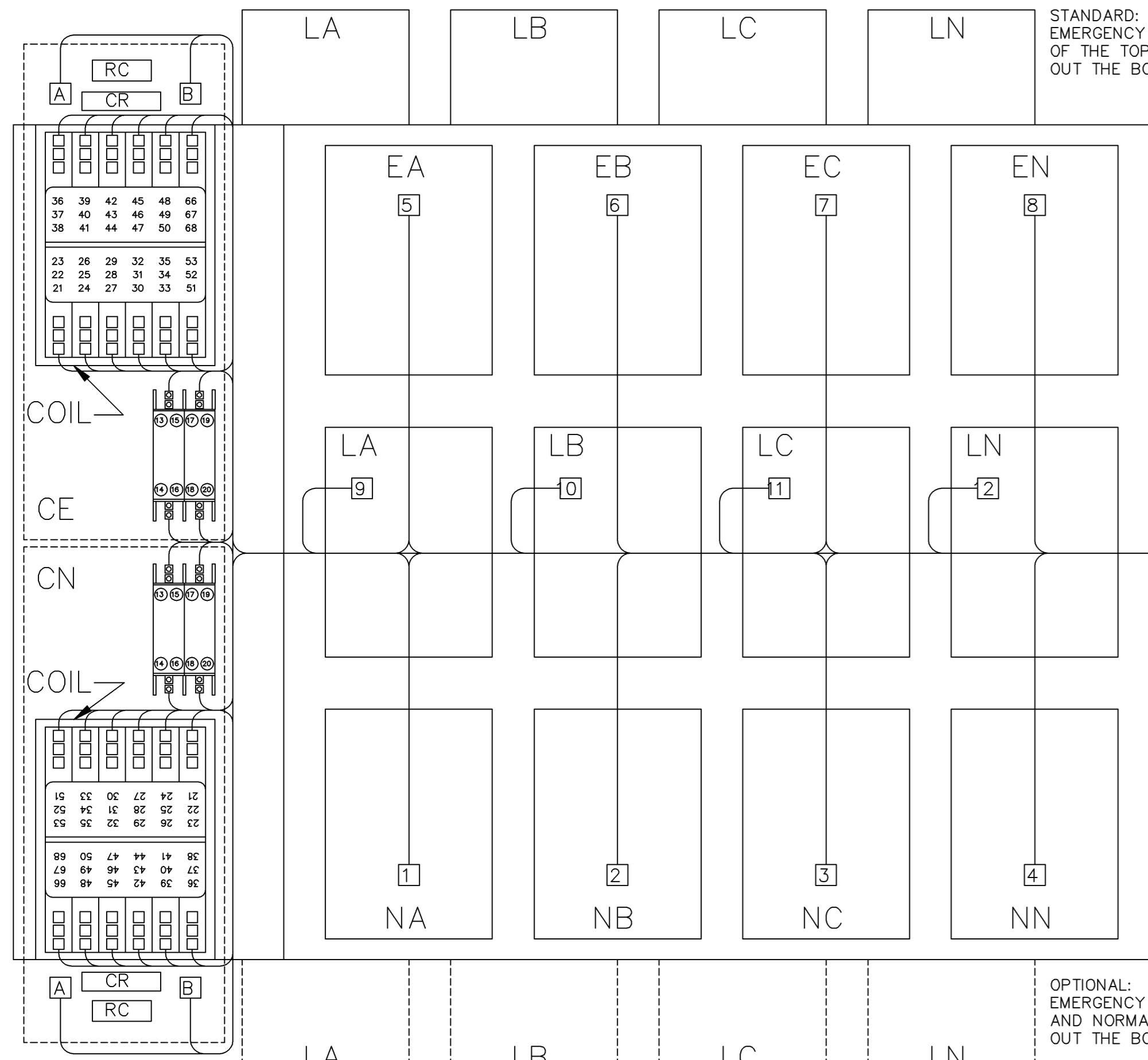
TS (TRANSFER SWITCH)
VIEW FROM INSIDE FRONT

STANDARD:
EMERGENCY & LOAD OUT
OF THE TOP AND NORMAL
OUT THE BOTTOM.

OPTIONAL:
EMERGENCY OUT OF THE TOP
AND NORMAL & LOAD
OUT THE BOTTOM.

DOOR HINGE

BONDING STRAP
PN 098323-019



C	205825	JPB	JPB	9/8/05
SEE ECN				
B	205768	JPB	JPB	8/31/05
SEE ECN				
A	205137	JPB	JPB	7/12/05
SEE ECN				
-	204869	JPB	JPB	6/17/05
ISSUE				

PROJECT NAME:		CHANGE LETTER	ECN NO.	BY	APP.	DATE
WIRING DIAGRAM						
4000 SERIES (H4ADTS/H4NDTS) GROUP 5 CONTROLS		SUBSIDIARY DISTRIBUTION		COMPUTER GENERATED DRAWING		
DRAWN BY: JPB 6/17/05		CHECKED BY: JPB 6/17/05		SCALE: 1:1 ACAD FILE		
DRAWING APPROVAL: JPB 6/17/05		FINAL APPROVAL: JPB 6/17/05		SIZE: Dwg. No. DS766504		
PROPERTY OF ASCO POWER TECHNOLOGIES. USE PERMITTED FOR OUR WORK ONLY. ALL RIGHTS OF DESIGN OR INVENTION ARE RESERVED.		ASCO POWER TECHNOLOGIES, L.P.		CHANGE LETTER: C ECN: 205825 SHEET: 5 OF 6		

