

THREE PHASE WIRING FOR ASCO® 4000 SERIES CLOSED TRANSITION TRANSFER SWITCHES TYPES J4ACTS & J4NCTS RATED 150, 260, 400 & 600 AMPERES

FEATURES, SETTINGS, OPERATION, ACCESSORIES & NOTES

THE FOLLOWING FEATURES AND RELATED SETTINGS ARE PART OF THE GROUP 5 CONTROL PANEL'S USER CONFIGURABLE PARAMETERS. FOR DETAILED INFORMATION REGARDING THE CONFIGURATION OF THESE PARAMETERS AND OTHER FEATURES OF THE GROUP 5 CONTROL PANEL, REFER TO THE GROUP 5 CONTROL PANEL FOR ASCO 4000 SERIES AUTOMATIC TRANSFER SWITCHES USER'S GUIDE (PART NO. 381333-126) PROVIDED WITH EVERY 4000 SERIES AUTOMATIC TRANSFER SWITCH.

THE NOMINAL OPERATING VOLTAGE & FREQUENCY IS PRE-PROGRAMMED AT THE FACTORY BASED ON THE NAMEPLATE DATA PRINTED ON THE TRANSFER SWITCH & CONTROL PANEL NAMEPLATES.

VOLTAGE & FREQUENCY SENSING

THE FOLLOWING SETTINGS ARE EXPRESSED AS A PERCENTAGE OF THE CONTROL PANEL'S NOMINAL VOLTAGE SETTING UNLESS STATED OTHERWISE. ALL SETTINGS ARE ADJUSTABLE IN INCREMENTS OF 1%.

A. RMS VOLTAGE SENSING ON ALL PHASES OF THE NORMAL & EMERGENCY SOURCES.

| PARAMETER | RANGE OF SETTINGS | DEFAULT SETTING |
|-------------------------------------|---------------------------------|-----------------|
| NORMAL VOLTAGE DROPOUT | 70-98% | 85% |
| NORMAL VOLTAGE PICKUP | 85-100% | 90% |
| NORMAL OVER VOLTAGE TRIP | 102-115% | OFF |
| NORMAL VOLTAGE UNBALANCE | YES/NO | NO |
| NORMAL VOLTAGE UNBALANCE DROPOUT | 5-20% OF AVG. NORMAL VOLTAGE | 20% (if ON) |
| NORMAL VOLTAGE UNBALANCE PICKUP | 3-18% OF AVG. NORMAL VOLTAGE | 10% (if ON) |
| EMERGENCY VOLTAGE DROPOUT | 70-98% | 75% |
| EMERGENCY VOLTAGE PICKUP | 85-100% | 90% |
| EMERGENCY OVER VOLTAGE TRIP | 102-115% | OFF |
| EMERGENCY VOLTAGE UNBALANCE | YES/NO | NO |
| EMERGENCY VOLTAGE UNBALANCE DROPOUT | 5-20% OF AVG. EMERGENCY VOLTAGE | 20% (if ON) |
| EMERGENCY VOLTAGE UNBALANCE PICKUP | 3-18% OF AVG. EMERGENCY VOLTAGE | 10% (if ON) |

B. FREQUENCY SENSING OF THE NORMAL & EMERGENCY SOURCES.

| PARAMETER | RANGE OF SETTINGS | DEFAULT SETTING |
|-------------------------------|-------------------|-----------------|
| NORMAL FREQUENCY DROPOUT | 85-98% | 90% |
| NORMAL FREQUENCY PICKUP | 90-100% | 95% |
| NORMAL OVER FREQUENCY TRIP | 102-110% | OFF |
| EMERGENCY FREQUENCY DROPOUT | 85-98% | 90% |
| EMERGENCY FREQUENCY PICKUP | 90-100% | 95% |
| EMERGENCY OVER FREQUENCY TRIP | 102-110% | OFF |

TIME DELAYS

THE FOLLOWING TIME DELAY SETTINGS ALL HAVE AN ADJUSTABLE RANGE OF 0-60 min 59 sec UNLESS STATED OTHERWISE. ADJUSTABLE IN INCREMENTS OF 1 sec.

NOTE: SOME TIME DELAYS MAY BE EFFECTED BY CUSTOMER REQUESTED ACCESSORIES PROVIDED WITH THE UNIT. REFER TO THE DESCRIPTIONS PROVIDED UNDER THE "ACCESSORIES" NOTES ON THIS PAGE.

| FEATURE | NAME | DEFAULT SETTING |
|---------|---------------------------------------------------------------|-----------------|
| 1C | NORMAL SOURCE FAILURE TO ENGINE START | 1 sec |
| 2B | TRANSFER TO EMERGENCY ON AVAILABILITY OF EMERGENCY SOURCE | 0 sec |
| 1F | EMERGENCY SOURCE FAILURE RETRANSFER (NORMAL SOURCE AVAILABLE) | 0 sec |
| 2E | ENGINE COOLDOWN FOLLOWING RETRANSFER TO NORMAL | 5 min |
| 3A | RETRANSFER TO NORMAL (NORMAL FAILURE MODE) | 30 min |
| 3A | RETRANSFER TO NORMAL (TEST MODE) | 30 sec |
| - | DELAYED TRANSFER (LOAD "OFF" TIME), [0-5 min 59 sec] | 3 sec |

DESCRIPTIONS OF TIME DELAYS:

- FEAT. 1C - DELAY ON NORMAL SOURCE OUTAGE. STARTS ON FAILURE OF NORMAL SOURCE. RESETS IF NORMAL SOURCE IS ACCEPTED BEFORE EXPIRATION. INHIBITS ENGINE STARTING AND AUTOMATIC TRANSFER UNTIL EXPIRATION.
- FEAT. 2B - DELAY PRIOR TO TRANSFER TO THE EMERGENCY SOURCE. DELAY STARTS ON EXPIRATION OF FEAT. 1C AND WHEN THE EMERGENCY SOURCE HAS BEEN ACCEPTED. DELAY RESETS IF THE EMERGENCY SOURCE FAILS PRIOR TO EXPIRATION. UPON EXPIRATION, TRANSFER TO EMERGENCY IS INITIATED ON AUTOMATIC UNITS (4ACTS) UNLESS THE NORMAL SOURCE HAS RECOVERED AND THE "COMMIT TO TRANSFER" FEATURE IS SET TO "NO" COMMIT. PROVIDES A PERIOD FOR EMERGENCY SOURCE STABILIZATION OR STAGING OF MULTIPLE TRANSFER SWITCH CONTROLLED LOADS TO THE EMERGENCY SOURCE.
- FEAT. 1F - DELAY ON RETRANSFER TO NORMAL IN THE EVENT OF EMERGENCY SOURCE FAILURE. DELAY BEGINS ON FAILURE OF THE EMERGENCY SOURCE IF THE NORMAL SOURCE IS ACCEPTABLE. UPON EXPIRATION OF THE DELAY, RETRANSFER TO NORMAL WILL BE INITIATED ON AUTOMATIC UNITS (4ACTS).
- FEAT. 2E - DELAY ON ENGINE SHUTDOWN (ENGINE COOL DOWN PERIOD). DELAY STARTS FOLLOWING RETRANSFER TO THE NORMAL SOURCE. PROVIDES A PERIOD FOR THE ENGINE-GENERATOR SET TO RUN UNLOADED PRIOR TO SHUTDOWN.
- FEAT. 3A - RETRANSFER TO NORMAL DELAY (NORMAL FAILURE MODE) DELAY STARTS WHEN NORMAL SOURCE IS ACCEPTED (FOLLOWING IT'S FAILURE) AND WHILE THE LOAD IS CONNECTED TO EMERGENCY. RESETS IF NORMAL FAILS PRIOR TO EXPIRATION OR IF THE EMERGENCY SOURCE FAILS BEFORE EXPIRATION AND FEAT. 1F EXPIRES (AUTOMATIC BYPASS ON EMERGENCY SOURCE FAILURE). PROVIDES A PERIOD FOR THE NORMAL SOURCE TO STABILIZE PRIOR TO AUTOMATIC (4ACTS) OR MANUAL (4NCTS) RETRANSFER.
- FEAT. 3A - RETRANSFER TO NORMAL DELAY (TEST MODE) DELAY STARTS FOLLOWING A USER INITIATED "TRANSFER TEST" WHEN THE "RETRANSFER TO NORMAL" KEYPAD IS DEPRESSED ON AUTOMATIC UNITS (4ACTS) AND WHILE THE LOAD IS CONNECTED TO EMERGENCY. RESETS IF NORMAL FAILS PRIOR TO EXPIRATION OR IF THE EMERGENCY SOURCE FAILS BEFORE EXPIRATION AND FEAT. 1F EXPIRES (AUTOMATIC BYPASS ON EMERGENCY SOURCE FAILURE).

IN SYNC - IN SYNC TIME DELAY BEGINS BEFORE A CLOSED TRANSITION TRANSFER FOLLOWING ACCEPTANCE OF THE SOURCE TO WHICH TRANSFER IS BEING MADE. ON EXPIRATION OF THE DELAY, THE LOGIC AWAITS AN IN SYNC CONDITION FOR SUBSEQUENT CLOSED TRANSITION TRANSFER.

EXTENDED PARALLEL - EXTENDED PARALLEL TIMER BEGINS WHEN THE SOURCES ARE PARALLELED (CN & CE CLOSED). IF THE TWO SOURCES REMAIN IN PARALLEL WHEN THE DELAY EXPIRES, THE CONTROL LOGIC TAKES THE FOLLOWING ACTIONS:

- THE LOGIC WILL ATTEMPT TO OPERATE THE TRANSFER SWITCH TO A "SAFE" STATE WHERE THE SOURCES WILL NO LONGER BE PARALLELED AND THE LOAD WILL BE SERVICED BY AN AVAILABLE SOURCE.
- THE CONTROL PANEL IS LOCKED OUT FROM ANY FURTHER AUTOMATIC OPERATION.
- THE "TRANSFER SWITCH LOCKED OUT" INDICATOR (RED LED) IS LIT.
- THE EXTENDED PARALLEL ALARM TIMER LOCATED ON THE DUAL OPERATOR CONTROL (DOC) IS ENABLED.
- THE UNIT WILL REMAIN LOCKED OUT UNTIL THE "ALARM RESET" KEYPAD IS DEPRESSED FOR RESET.

FAIL TO SYNC - FAILURE TO SYNC TIMER BEGINS WHEN THE LOGIC BEGINS TO CHECK FOR AN IN SYNC CONDITION FOR WHICH TO ALLOW CLOSED TRANSITION TRANSFER. IF THE DELAY EXPIRES PRIOR TO AN IN SYNC CONDITION OCCURRING, THE "FAILURE TO SYNCHRONIZE" INDICATOR IS ACTIVATED (RED LED) WITH CLOSURE OF THE 1FR RELAY CONTACT AVAILABLE FOR A REMOTE SIGNAL.

FEAT. 62F - EXTENDED PARALLEL ALARM TIMER BEGINS TIMING WHEN ENABLED FOLLOWING EXPIRATION OF THE EXTENDED PARALLEL TIMER OF THE CONTROL PANEL. THE ENABLING OF THE EXTENDED PARALLEL ALARM TIMER INDICATES THAT THE UNIT HAS ATTEMPTED TO RECOVER TO A "SAFE STATE" AND THAT IT HAS BEEN LOCKED OUT. ON EXPIRATION OF THE DELAY, OUTPUT RELAY (RL3) (2) FORM C CONTACTS, TRANSFER. THE DELAY IS ADJUSTABLE VIA A POTENTIOMETER (P2) LOCATED ON THE DUAL OPERATOR CONTROL (DOC) WHICH IS ADJUSTABLE FROM 0-1 SECOND. FACTORY SET AT 1 SEC.

ENGINE EXERCISER

THE ENGINE EXERCISER FEATURE PROVIDES A MEANS TO PERFORM AUTOMATIC EXERCISING OF THE ENGINE-GENERATOR SET EITHER WITH OR WITHOUT LOAD TRANSFER FOR AUTOMATIC UNITS (4ACTS) OR WITHOUT LOAD TRANSFER FOR NON-AUTOMATIC UNITS (4NCTS). THE USER CAN PROGRAM UP TO SEVEN DIFFERENT EXERCISE ROUTINES. EACH ROUTINE INCLUDES:

1. ENABLE OR DISABLE THE ROUTINE
2. ENABLE OR DISABLE TRANSFER OF THE LOAD DURING THE ROUTINE
3. SET START TIME OF ROUTINE -
- TIME OF DAY
- DAY OF WEEK
- WEEK OF MONTH (1st, 2nd, 3rd, 4th, ALTERNATE OR ALL)
4. SET THE DURATION OF THE ROUTINE

| PARAMETER | RANGE OF SETTING | DEFAULT SETTING |
|------------------------------|-------------------------------------------------|-----------------|
| MONTH (CLOCK SET) | JAN FEB MAR APR MAY JUN JUL AUG SEP OCT NOV DEC | CURRENT DATE |
| DAY | 1-31 | |
| YEAR | 00-99 | |
| HOUR | 0-23 | |
| MINUTE | 0-59 | |
| ENABLE ROUTINE (ROUTINE 1-7) | YES/NO | NO |
| TRANSFER LOAD | YES/NO | NO |
| START HOUR | 0-23 | 0 |
| START MINUTE | 0-59 | 0 |
| RUN WEEK | ALL, ALTERNATE, 1st, 2nd, 3rd, 4th, 5th | ALL |
| RUN DAY | SUN MON TUE WED THU FRI SAT | SUN |
| DURATION HOURS | 0-23 | 0 |
| DURATION MINUTES | 0-59 | 0 |

OPERATION

IF THE NORMAL SOURCE FAILS, THE TRANSFER SWITCH INITIATES STARTING OF THE ENGINE-GENERATOR SET. WHEN PROPER VOLTAGE AND FREQUENCY HAVE BEEN ATTAINED, THE LOAD WILL BE TRANSFERRED ON AUTOMATIC UNITS (4ACTS) OR PERMITTED TO BE MANUALLY TRANSFERRED NON-AUTOMATIC UNITS (4NCTS) IN AN OPEN TRANSITION (BREAK BEFORE MAKE) OPERATION TO THE EMERGENCY SOURCE.

WHEN THE NORMAL SOURCE IS RESTORED FOR THE DURATION OF THE FEATURE 3A, (RETRANSFER TO NORMAL TIME DELAY) SETTING, AND FOLLOWING OPERATION OF THE "RETRANSFER TO NORMAL" KEYPAD ON NON-AUTOMATIC UNITS (4NCTS), THE CONTROLS WILL BEGIN MONITORING PHASE, FREQUENCY, AND VOLTAGE DIFFERENTIAL BETWEEN NORMAL AND EMERGENCY SOURCES.

WHEN THE TWO SOURCES ARE APPROACHING SYNCHRONISM, A CLOSED TRANSITION (MAKE BEFORE BREAK) TRANSFER TO THE NORMAL SOURCE WILL BE INITIATED. THE NORMAL AND EMERGENCY CONTACTORS (CN & CE) WILL BE IN AN OVERLAP CONDITION FOR LESS THAN 0.1 SECONDS.

CLOSED TRANSITION TRANSFER WILL ALSO BE INITIATED DURING A TRANSFER TEST OPERATION INITIATED BY OPERATION OF THE FEATURE 5 "TRANSFER TEST" KEYPAD ON AUTOMATIC UNITS (4ACTS) OR AFTER OPERATION OF THE "TRANSFER TO EMERGENCY" KEYPAD ON NON-AUTOMATIC UNITS (4NCTS). RETRANSFER WILL ALSO OCCUR IN A CLOSED TRANSITION MANNER AT THE END OF THE TEST ON AUTOMATIC UNITS (4ACTS) OR ACTIVATION OF THE TRANSFER TO NORMAL KEYPAD ON NON-AUTOMATIC UNITS (4NCTS).

CLOSED TRANSITION BYPASS OPERATION: THE "CT BYPASS OPTIONS" DISPLAY OF THE CONTROL PANEL ALLOWS SETTING THE TRANSFER SWITCH'S CLOSED TRANSITION BYPASS BEHAVIOR. CLOSED TRANSITION BYPASS CAUSES THE TRANSFER SWITCH TO INTERRUPT POWER TO THE LOAD DURING TRANSFER. THE AVAILABLE OPTIONS ARE:

- **FAIL TO SYNC AUTO BYPASS ENABLE** - CAUSES A "FAILURE TO SYNCHRONIZE" CONDITION TO RESULT IN A CLOSED TRANSITION BYPASS. DEFAULT SETTING IS NO AUTOMATIC BYPASS.
- **CT BYPASS** - ALLOWS SELECTIONS AS TO WHETHER THE CLOSED TRANSITION BYPASS WILL OCCUR WITH OR WITHOUT A DELAYED TRANSITION (LOAD "OFF" TIME). DEFAULT SETTING IS OPEN TRANSITION (NO DELAY).
- **DT BYPASS** - SETS THE LENGTH OF THE DELAYED TRANSFER (LOAD "OFF" TIME) IF THE PREVIOUS PARAMETER HAS BEEN SELECTED TO OPERATE WITH DELAYED TRANSITION. THE DELAY ("OFF" PERIOD) BEGINS FOLLOWING THE OPENING OF THE SOURCE CONTACTOR, (CN OR CE), CONNECTED TO THE SOURCE FROM WHICH TRANSFER IS BEING MADE. UPON EXPIRATION, CLOSURE OF THE OPPOSITE SOURCE CONTACTOR IN INITIATED.

SIGNALS & AUXILIARIES

A. FEATURES 7 & 8 - ENGINE START SIGNAL SIGNAL INITIATED BY DROPOUT OF CONTROL PANEL RELAY (NR) FOLLOWING EXPIRATION OF THE FEATURE 1C TIME DELAY (DELAY TO OVERRIDE MOMENTARY NORMAL SOURCE OUTAGES). THE 1C DELAY IS BYPASSED ON NON-AUTOMATIC UNITS (4NCTS) WHEN TRANSFER IS INITIATED BY OPERATION OF THE "TRANSFER TO NORMAL" KEYPAD AND THE NORMAL SOURCE IS AVAILABLE. FEATURE 7 CLOSURES TO SIGNAL ENGINE START. FEATURE 8 OPENS TO SIGNAL ENGINE START. ENGINE STARTING SIGNAL RESETS FOLLOWING RETRANSFER TO THE NORMAL SOURCE AND EXPIRATION OF THE FEATURE 2E (ENGINE COOL DOWN) TIME DELAY. FEATURES 7 & 8 ARE PROVIDED AS A SINGLE FORM C CONTACT CONNECTED TO THE FIELD CONNECTIONS TERMINAL BLOCK (TB) MOUNTED ON THE UPPER RIGHT SIDE OF THE ENCLOSURE. CONTACT RATED 5 AMPS AT 32 VDC/120VAC RESISTIVE.

B. FEATURES 14AA & 14BA - TRANSFER SWITCH AUXILIARY POSITION INDICATING CONTACTS. TWO (2) FORM A CONTACTS EACH TO INDICATE CONNECTION OF THE TRANSFER SWITCH TO NORMAL (14A) OR EMERGENCY (14B). CONTACTS CONNECTED TO THE FIELD CONNECTIONS TERMINAL BLOCK (TB) MOUNTED ON THE UPPER RIGHT SIDE OF THE ENCLOSURE. CONTACTS RATED 10 AMPS, 32 VDC, 250 VAC.

C. FEATURE 17 - REMOTE TRANSFER TO EMERGENCY. REQUIRES A CUSTOMER SUPPLIED NORMALLY OPEN CONTACT. CLOSING OF THE CONTACT CAUSES ENGINE START AND TRANSFER TO THE EMERGENCY SOURCE ON AUTOMATIC UNITS (4ACTS). OPENING OF THE CONTACT ACTIVATES THE FEATURE 3A (RETRANSFER TO NORMAL) DELAY PRIOR TO RETRANSFER. IN THE EVENT THE EMERGENCY SOURCE FAILS WHILE THE TRANSFER SWITCH IS CONNECTED TO EMERGENCY AND THE REMOTE CONTACT IS CLOSED, THE TRANSFER SWITCH WILL RETRANSFER TO THE NORMAL SOURCE. LOCATED ON TERMINAL BLOCK TB1 ON THE REAR OF THE OPERATOR INTERFACE MODULE ON THE FRONT DOOR.

USER CONTROLS AND INDICATIONS

A. FEATURES 5 & 6B - "TRANSFER TEST" & "RETRANSFER TO NORMAL" KEYPAD CONTROLS. STANDARD ON AUTOMATIC UNITS (4ACTS).

"TRANSFER TEST" KEYPAD: OPERATION CAUSES A NORMAL SOURCE FAILURE SEQUENCE. ACTIVATE AND HOLD FOR AT LEAST 15 SECONDS TO ALLOW TIME FOR THE ENGINE-GENERATOR TO START.

"RETRANSFER TO NORMAL" KEYPAD: OPERATION WILL BYPASS THE FEATURE 3A (RETRANSFER TO NORMAL DELAY) INITIATING RETRANSFER TO THE NORMAL SOURCE.

FEATURE 6Z & 6C - MANUAL TRANSFER CONTROL, "TRANSFER TO EMERGENCY" & "TRANSFER TO NORMAL" KEYPAD CONTROLS. STANDARD ON NON-AUTOMATIC UNITS (4NCTS).

"TRANSFER TO EMERGENCY" KEYPAD: OPERATION CAUSES IMMEDIATE ENGINE START IF NORMAL IS AVAILABLE AND TRANSFER TO THE EMERGENCY SOURCE WHEN THE EMERGENCY SOURCE IS AVAILABLE. TRANSFER SWITCH WILL REMAIN CONNECTED TO THE EMERGENCY SOURCE UNTIL THE UNIT IS MANUALLY RETRANSFERRED TO THE NORMAL SOURCE.

"TRANSFER TO NORMAL" KEYPAD: OPERATION CAUSES TRANSFER TO THE NORMAL SOURCE IF IT IS AVAILABLE. THE ENGINE START SIGNAL WILL RUN FOR THE ACCESSORY 2E DELAY ON ENGINE SHUTDOWN FOLLOWING TRANSFER. THE TRANSFER SWITCH WILL REMAIN CONNECTED TO THE NORMAL SOURCE UNTIL THE UNIT IS MANUALLY RETRANSFERRED TO THE EMERGENCY SOURCE.

B. FEATURES 9A & 9B - TRANSFER SWITCH POSITION INDICATORS.
FEATURE 9A: TRANSFER SWITCH CLOSED ON NORMAL (GREEN LED)
FEATURE 9B: TRANSFER SWITCH CLOSED ON EMERGENCY (RED LED)

C. FEATURES 9C & 9D - SOURCE ACCEPTANCE INDICATORS.
FEATURE 9C: NORMAL SOURCE ACCEPTED (GREEN LED)
FEATURE 9D: EMERGENCY SOURCE ACCEPTED (RED LED)

D. "EXTENDED PARALLEL TIME" INDICATOR - INDICATES THAT THE MAIN CONTACTORS (CN & CE) HAVE BEEN SIMULTANEOUSLY CLOSED FOR A PERIOD EXCEEDING THE TIME ALLOTTED. (RED LED)

E. "FAILURE TO SYNCHRONIZE" INDICATOR - INDICATES THE TWO SOURCES DID NOT MEET THE PARAMETERS REQUIRED FOR A CLOSED TRANSITION TRANSFER. (RED LED)

F. "TRANSFER SWITCH LOCKED OUT" INDICATOR - INDICATES THAT A FAILURE OF THE TRANSFER SWITCH OPERATOR HAS OCCURRED AND THAT THE TRANSFER SWITCH HAS TAKEN CORRECTIVE ACTION AS REQUIRED. ONCE THIS FAILURE RECOVERY OPERATION TAKES PLACE, THE TRANSFER SWITCH IS PREVENTED FROM FURTHER OPERATION UNTIL THE CONDITION IS CORRECTED. ONCE THE CONDITION IS CORRECTED, THE TS LOCKED OUT SWITCH MAY BE DEPRESSED TO RESET THE CONTROL PANEL (RED LED).

G. "ALARM RESET" KEYPAD - ONCE A LOCK OUT CONDITION IS CORRECTED, THE "ALARM RESET" KEYPAD MAY BE ACTUATED TO RESET THE CONTROL PANEL. THIS CONTROL ALSO RESETS THE "FAILURE TO SYNCHRONIZE" AND "EXTENDED PARALLEL TIME" ALARMS.

H. "CLOSED TRANSITION BYPASS" KEYPAD - BYPASSES CLOSED TRANSITION TRANSFER WHEN ACTUATED DURING THE PERIOD WHILE THE TRANSFER SWITCH CONTROL PANEL IS MONITORING FOR AN INPHASE CONDITION. CAUSES OPEN TRANSITION TRANSFER TO THE OPPOSITE SOURCE IF CONDITIONS PERMIT.

OPTIONAL ACCESSORIES

A. ACCESSORY 14AC & 14BC - TWO (2) ADDITIONAL TRANSFER SWITCH AUXILIARY POSITION INDICATING CONTACTS EACH TO INDICATE CONNECTION OF THE TRANSFER SWITCH TO NORMAL (14A) OR EMERGENCY (14B). CONTACTS CONNECTED TO THE FIELD CONNECTIONS TERMINAL BLOCK (TB) MOUNTED ON THE UPPER RIGHT SIDE OF THE ENCLOSURE. CONTACTS RATED 10 AMPS, 32 VDC, 250 VAC.

B. ACCESSORY 18Z & 182Z - OPTION RELAY MODULE. PROVIDES A RELAY MODULE ASSEMBLY THAT CONNECTS TO THE REAR OF THE USER INTERFACE MODULE. ACCESSORY 18Z PROVIDES ONE (1) RELAY MODULE & ACCESSORY 182Z PROVIDES TWO (2) RELAY MODULES.

EACH RELAY MODULE PROVIDES 4 INDEPENDANT, FORM C RELAY OUTPUTS EACH RATED 2 AMPS, 30 VDC MAX. THE RELAY PROVIDE THE FOLLOWING SIGNALS:

RELAY 1 (RL1) ENERGIZES IF THE EMERGENCY SOURCE HAS BEEN ACCEPTED BY THE CONTROLLER.

RELAY 2 (RL2) ENERGIZES IF THE NORMAL SOURCE HAS BEEN ACCEPTED BY THE CONTROLLER.

RELAY 3 (RL3) ENERGIZES IF THE CONTROLLER'S LOAD DISCONNECT SIGNAL IS ACTIVE. (FEATURE 31, REFER TO THE GROUP 5 CONTROLLER USER'S MANUAL, PN 381333-126).

RELAY 4 (RL4) USER CONFIGURED OUTPUT THAT CAN BE USER DEFINED TO OPERATE AS FOLLOWS:

- * SAME AS RELAY 1.
- * SAME AS RELAY 2.
- * ENERGIZES IF "EXTENDED PARALLEL TIME" INDICATOR IS ON.
- * ENERGIZES IF "TRANSFER SWITCH LOCKED OUT" INDICATOR IS ON.
- * ENERGIZES IF "FAILURE TO SYNCHRONIZE" INDICATOR IS ON.
- * ENERGIZES IF "EXTENDED PARALLEL TIME" OR "TRANSFER SWITCH LOCKED OUT" OR "FAILURE TO SYNCHRONIZE" INDICATORS ARE ON.
- * DE-ENERGIZES IF BOTH SOURCES ARE UNACCEPTABLE AND PROVIDES ONBOARD JUMPER TO PERMIT THE RELAY TO BE USED TO ALLOW AN EXTERNAL 24 VDC SOURCE TO POWER THE CONTROLLER FOR EXTENDED ENGINE STARTING TIME DELAY SETTINGS WHEN POWER IS NOT AVAILABLE.

REFER TO INSTRUCTION SHEET PN 381339-260 FOR INSTRUCTIONS.

GENERAL NOTES

1. SWITCH SHOWN DE-ENERGIZED AND CONNECTED TO THE NORMAL SOURCE.
2. DEVICE SYMBOLS AND DESIGNATIONS ARE IN ACCORDANCE WITH NEMA PUBLICATION ICS 1-1983, PART 1-101A.
3. ALL WIRING IS #16 AWG, TINNED, STRANDED COPPER UNLESS OTHERWISE INDICATED.
4. ○ ON TERMINAL BLOCKS INDICATES AVAILABLE FIELD CONNECTION POINT.
5. ● ON TERMINAL BLOCKS INDICATES FACTORY CONNECTION POINT.
6. CONTROL AND ACCESSORY WIRING IS ROUTED IN ACCORDANCE WITH ASCO ASSEMBLY PROCEDURE GS451261.
7. AN OPERATOR'S MANUAL IS FURNISHED WITH EACH AUTOMATIC TRANSFER SWITCH. REFER TO THIS PUBLICATION PRIOR TO INSTALLATION AND OPERATION OF THE UNIT.

| BASE CATALOG NUMBER | | | | CATALOG NUMBER SUFFIXES | | | | EXPLANATION OF CATALOG NUMBER CODES | | | | | | | | | | | | | | |
|---------------------|---------|---------|-------|-------------------------|------------------|------------|-----------|-------------------------------------|-----------------|--------|-----------------|------|---------------|-------|-----------------|---------------------------------------------------------|--|--|--|--|--|--|
| TS | CATALOG | NEUTRAL | PHASE | AMPS | VOLT | CONTROLLER | OPTIONAL | ENCLOSURE | CATALOG TYPE | | NEUTRAL TYPE | | VOLTAGE CODES | | ENCLOSURE CODES | | | | | | | |
| FRAME | TYPE | TYPE | POLES | | CODE | | ACCESSORY | CODE | DESC. | CODE | DESCRIPTION | CODE | NOMINAL | CODE | TYPE | DESCRIPTION | | | | | | |
| | | | | | C D E F | | | | | | | | VOLTS | | | | | | | | | |
| | | | | | | | | | 4ACTS AUTOMATIC | BLANK | NONE | C | 208 | BLANK | 1 | OPEN TYPE (NO ENCLOSURE) | | | | | | |
| | | | | | | | | | 4NCTS MANUAL | A B | SOLID SWITCHING | D | 220 | C | 2 | GENERAL PURPOSE, INDOOR | | | | | | |
| | | | | | | | | | | | | E | 230 | E | 2 | INDOOR, WATER & DUST RESISTANT | | | | | | |
| | | | | | | | | | | | | F | 240 | F | 3R | OUTDOOR, RAINPROOF, SLEET & ICE RESISTANT | | | | | | |
| | | | | | | | | | | | | H | 380 | G | 4 | INDOOR/OUTDOOR, WATERTIGHT & DUST TIGHT | | | | | | |
| | | | | | | | | | | | | J | 400 | H | 4X | TYPE 4 PLUS CORROSION RESISTANCE (STAINLESS STEEL) | | | | | | |
| | | | | | | | | | | | | K | 415 | J | 4X | TYPE 4 PLUS CORROSION RESISTANCE (FIBERGLASS) | | | | | | |
| | | | | | | | | | | | | L | 440 | K | 7 | EXPLOSION PROOF | | | | | | |
| | | | | | | | | | | | | M | 460 | L | 12 | INDOOR, INDUSTRIAL ENVIRONMENTS, OIL TIGHT & DUST TIGHT | | | | | | |
| | | | | | | | | | | | | N | 480 | | | (SECURE ENCLOSURES) | | | | | | |
| | | | | | | | | | | | | P | 550 | M | 3R | OUTDOOR, RAINPROOF, SLEET & ICE RESISTANT | | | | | | |
| | | | | | | | | | | | | Q | 575 | N | 4 | INDOOR/OUTDOOR, WATERTIGHT & DUSTTIGHT | | | | | | |
| | | | | | | | | | | | | R | 600 | P | 4X | TYPE 4 PLUS CORROSION RESISTANCE (STAINLESS STEEL) | | | | | | |
| | | | | | | | | | | | | | | Q | 12 | INDOOR, INDUSTRIAL ENVIRONMENTS, OILTIGHT & DUSTTIGHT | | | | | | |

CATALOG NUMBER _____ CERTIFIED TO _____ S.O. _____

BY _____ DATE _____

FORM REV B

PROJECT NAME: _____

WIRING DIAGRAM

4000 SERIES (J4ACTS/J4NCTS) GROUP 5 CONTROLS

THIRD ANGLE PROJECTION

MANUFACTURING TOLERANCES TO BE IN ACCORDANCE WITH ASCO PROCEDURE MP-1-003. FOR PLASTIC PARTS SEE MP-1-055.

ASSEMBLY REF. NO. _____

PROPERTY OF ASCO POWER TECHNOLOGIES. USE PERMITTED FOR OUR WORK ONLY. ALL RIGHTS OF DESIGN OR INVENTION ARE RESERVED.

ASCO POWER TECHNOLOGIES, L.P. FLORHAM PARK, NEW JERSEY 07932 U.S.A.

COMPUTER GENERATED DRAWING

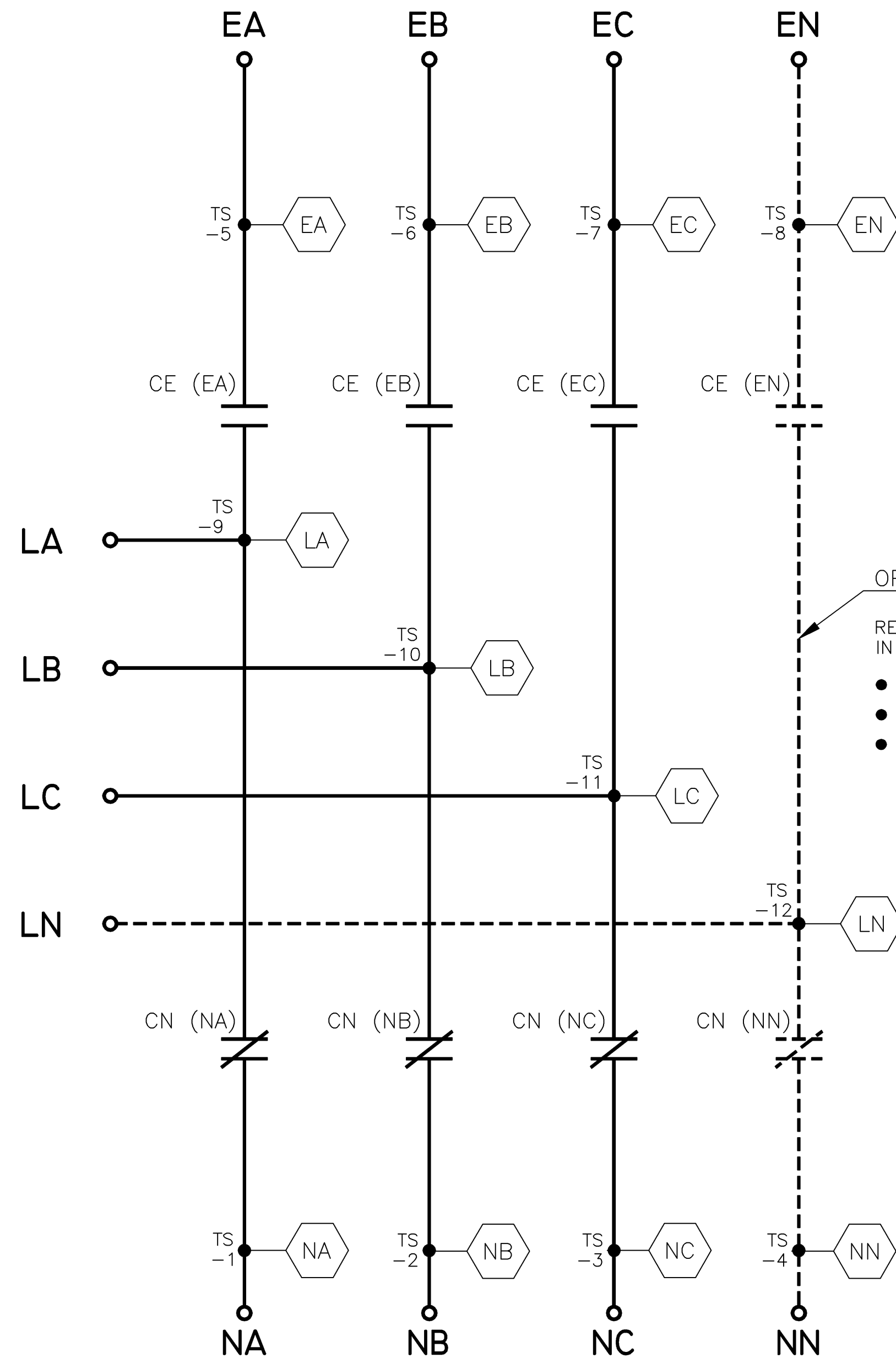
SCALE 1:1 ACAD FILE

SIZE DWG. NO. DS781128

CHANGE LETTER _____ EGN NO. 205825 SHEET 1 OF 6

EMERGENCY

NORMAL



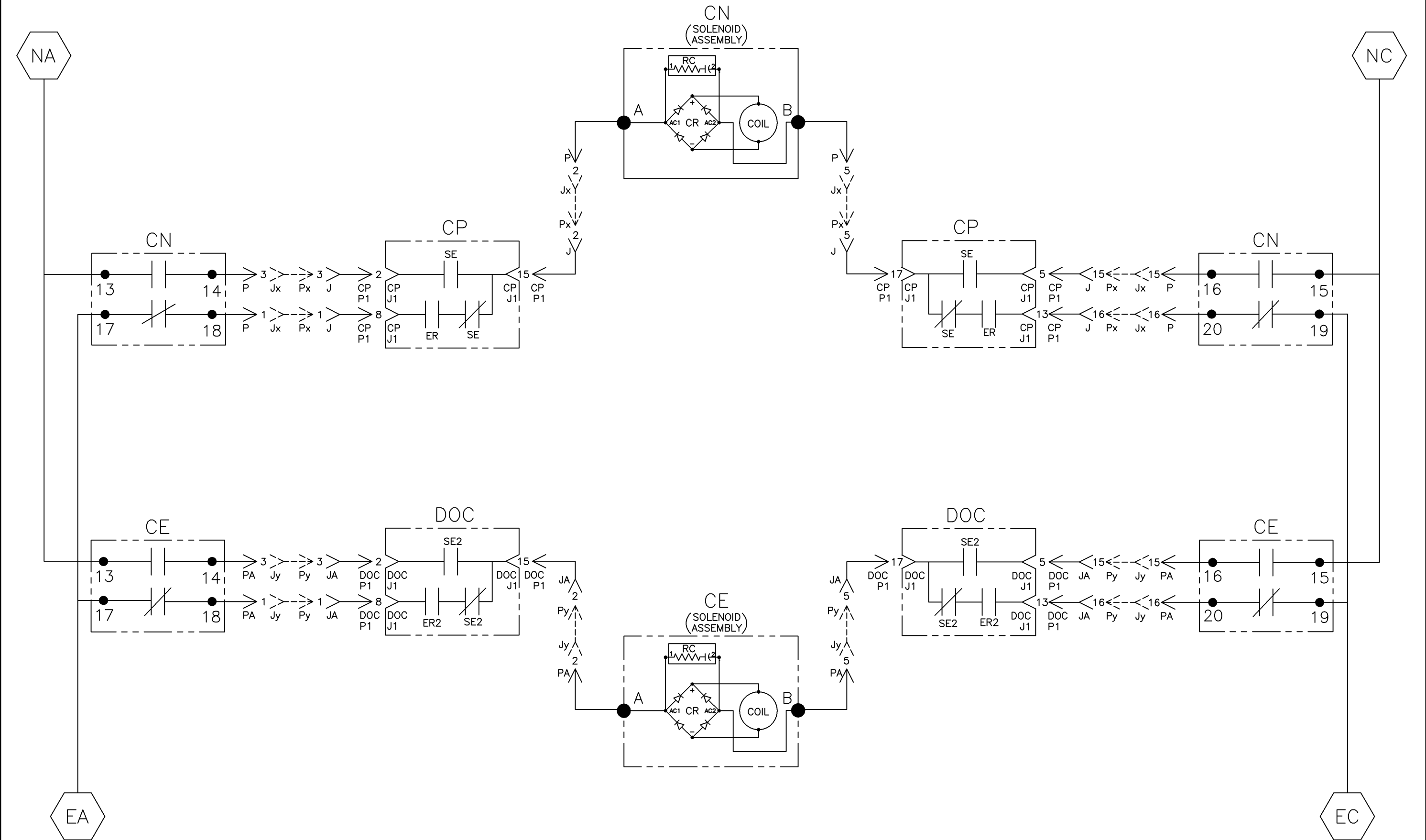
OPTIONAL NEUTRAL TYPES
 REFER TO "EXPLANATION OF CATALOG NUMBER CODES"
 IN CATALOG NUMBER CHART ON SHEET 1.

- NONE
- SWITCHING
- SOLID BUS PLATE

NORMAL

NOTE:
 ATS SHOWN CLOSED ON
 NORMAL SOURCE.

EMERGENCY



| CN CONTROL CONTACTS | | SOLENOID POSITION | |
|---------------------|--|--------------------------|-------------|
| CN | | CLOSED BEFORE NORMAL TDC | BEFORE OPEN |
| 13-14 | | | |
| 15-16 | | | |
| 17-18 | | | |
| 19-20 | | | |

| CE CONTROL CONTACTS | | SOLENOID POSITION | |
|---------------------|--|-------------------|----------------------|
| CE | | OPEN BEFORE TDC | BEFORE CLOSED EMERG. |
| 13-14 | | | |
| 15-16 | | | |
| 17-18 | | | |
| 19-20 | | | |

TDC (TOP DEAD CENTER)
 TRANSFER SWITCH TEST & ADJUSTMENT PROCEDURE
 SPECIFIES CONTROL CUT-OFF (CONTACT OPENING)
 SETTING.

PROJECT NAME: WIRING DIAGRAM
 4000 SERIES (J4ACTS/J4NCTS)
 GROUP 5 CONTROLS

THIRD ANGLE PROJECTION

| | | | |
|-------------------|------|-----------------------------------------------------------------------------------------------------------|-----------------|
| BY | DATE | MANUFACTURING TOLERANCES TO BE IN ACCORDANCE WITH ASCO PROCEDURE MP-1-003. FOR PLASTIC PARTS SEE MP-1-055 | ASSEM. REF. NO. |
| DRAWN BY | JPB | 7/26/05 | |
| CHECKED | JPB | 7/26/05 | |
| DRAFTING APPROVAL | | | |
| FINAL APPROVAL | JPB | 7/26/05 | |

SCALE: 1:1
 FILE: ACAD
 COMPUTER GENERATED DRAWING
 SIZE: 11x17
 DWG. NO.: DS781128
 SHEET NO.: 3 OF 6

| | | | | |
|---------|--------|-----|-----|---------|
| B | 205825 | JPB | JPB | 9/8/05 |
| SEE ECN | | | | |
| A | 205768 | JPB | JPB | 8/31/05 |
| SEE ECN | | | | |
| - | 205265 | JPB | JPB | 7/26/05 |
| ISSUE | | | | |

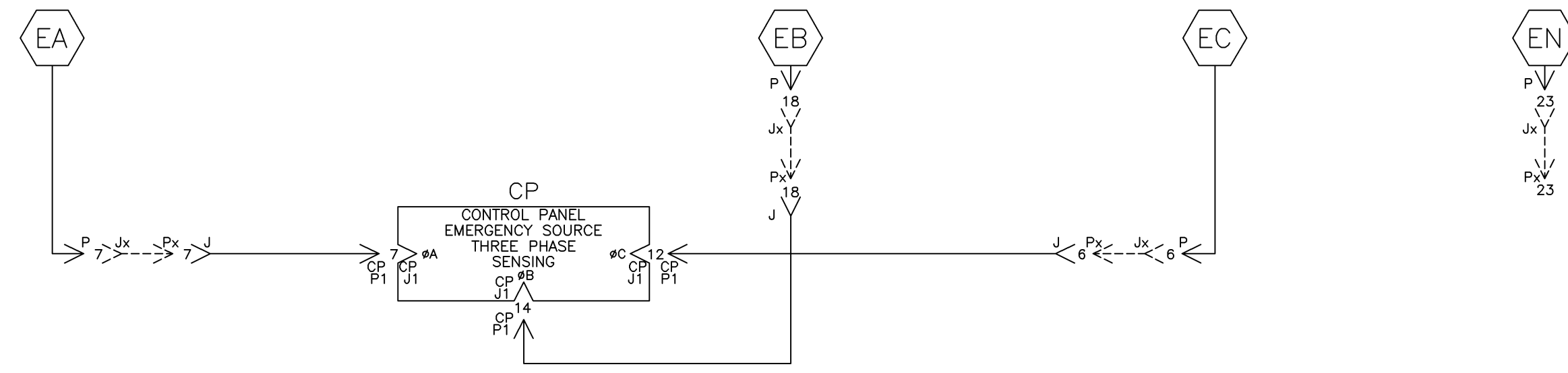
| | | | |
|-------------------------|----|----|----|
| SUBSIDIARY DISTRIBUTION | | | |
| AE | AN | AM | AL |
| CH | AV | AA | PS |
| AG | AP | AC | AS |

ASCO POWER TECHNOLOGIES, L.P.
 FLORHAM PARK, NEW JERSEY 07932 U.S.A.

EMERGENCY SOURCE CIRCUITS

ADDITIONAL CIRCUITS

EMERGENCY



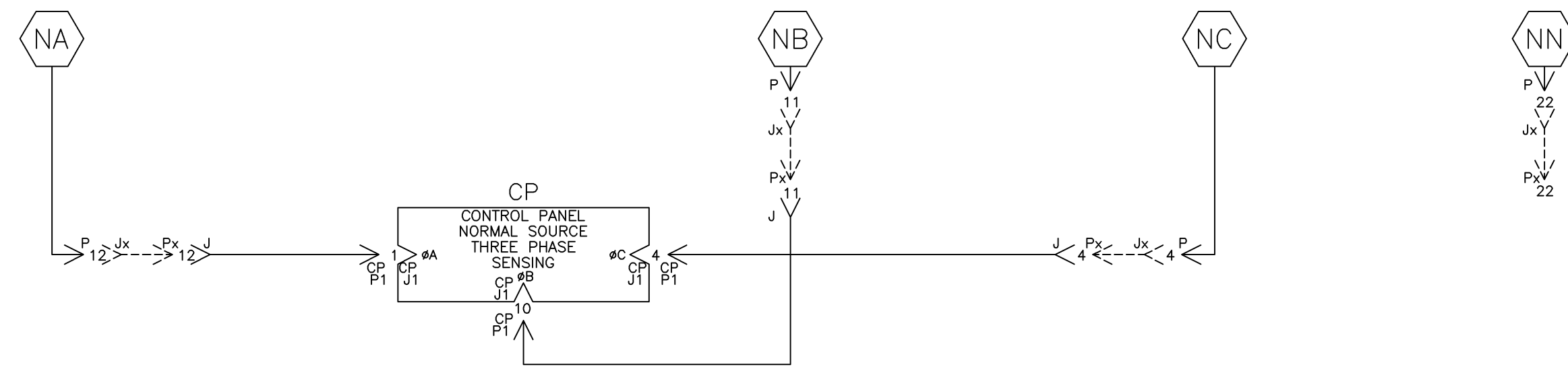
LOAD TERMINAL CIRCUITS

LOAD



NORMAL SOURCE CIRCUITS

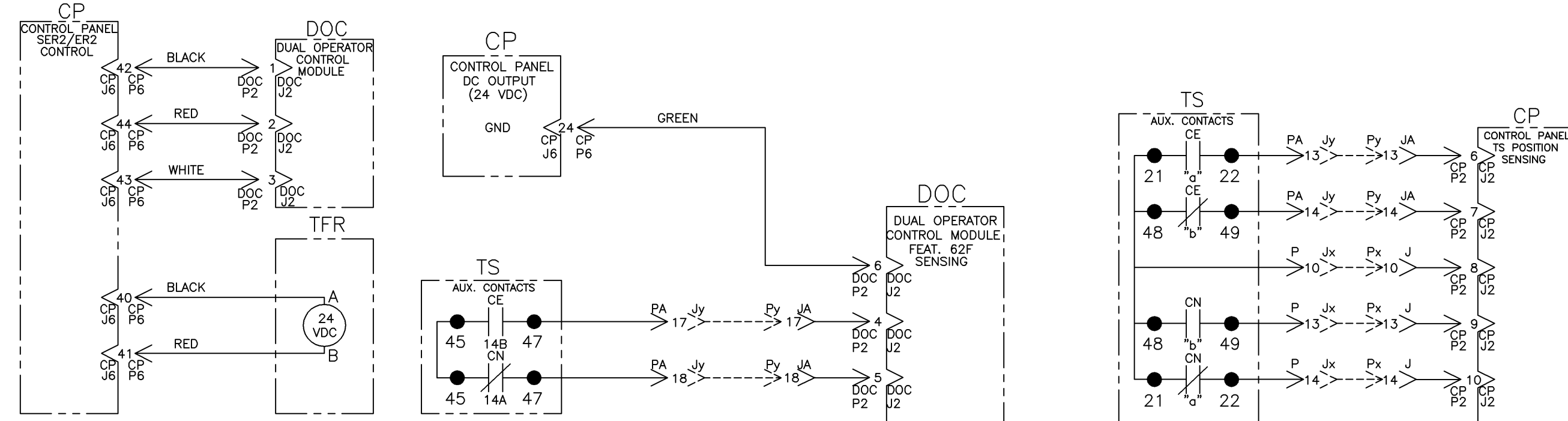
NORMAL



CONTROL CIRCUITS

SER2/ER2 CONTROL

TS POSITION SENSING



| | | | | |
|---------|--------|-----|-----|---------|
| B | 205825 | JPB | JPB | 9/8/05 |
| SEE ECN | | | | |
| A | 205768 | JPB | JPB | 8/31/05 |
| SEE ECN | | | | |
| - | 205265 | JPB | JPB | 7/26/05 |
| ISSUE | | | | |

| | | | | | |
|-------------------|-----|----------------|---------|-----------------------------------------------------------------------------------------------------------------------|-----------------|
| PROJECT NAME: | | WIRING DIAGRAM | | 4000 SERIES (J4ACTS/J4NCTS) GROUP 5 CONTROLS | |
| DRAWN BY | JPB | DATE | 7/26/05 | MANUFACTURING TOLERANCES TO BE IN ACCORDANCE WITH ASCO PROCEDURE MP-1-003. FOR PLASTIC PARTS SEE MP-1-005. | ASSEM. REF. NO. |
| CHECKED | JPB | DATE | 7/26/05 | PROPERTY OF ASCO POWER TECHNOLOGIES. USE PERMITTED FOR OUR WORK ONLY. ALL RIGHTS OF DESIGN OR INVENTION ARE RESERVED. | SCALE |
| DRAFTING APPROVAL | | | | | 1:1 |
| FINAL APPROVAL | JPB | DATE | 7/26/05 | | ACAD |
| | | | | | FILE |
| | | | | | SIZE |
| | | | | | DWG. NO. |
| | | | | | DS781128 |
| | | | | | CHANGE LETTER |
| | | | | | ECN NO. 205825 |
| | | | | | SHEET 4 OF 6 |

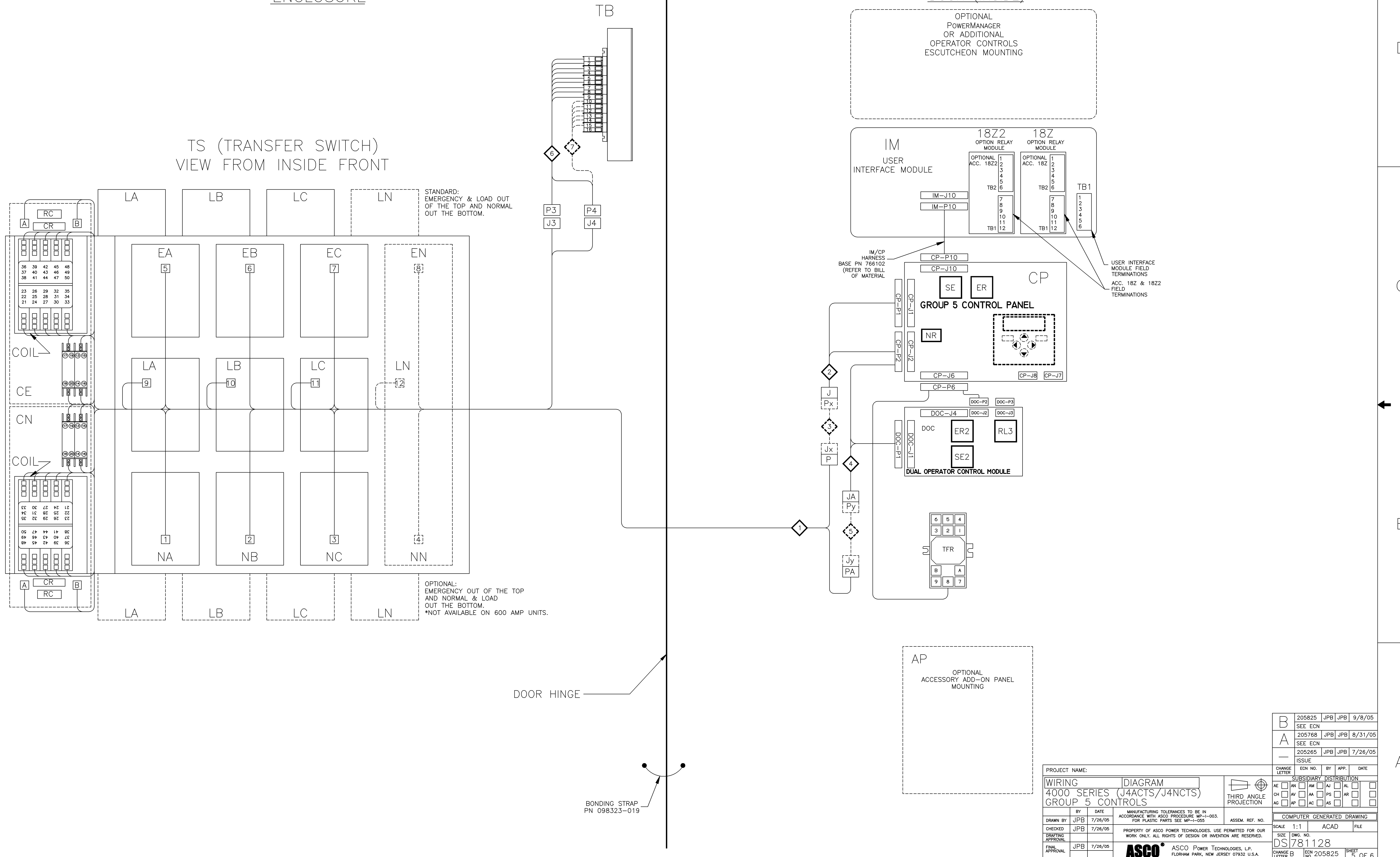


PHYSICAL DIAGRAM

ENCLOSURE

DOOR (INSIDE)

TS (TRANSFER SWITCH)
VIEW FROM INSIDE FRONT



| | | | | |
|-------------------------------------------|--------------------------|-----|--------------------------|---------|
| B | 205825 | JPB | JPB | 9/8/05 |
| SEE ECN | | | | |
| A | 205768 | JPB | JPB | 8/31/05 |
| SEE ECN | | | | |
| - | 205265 | JPB | JPB | 7/26/05 |
| ISSUE | | | | |
| CHANGE LETTER | ECN NO. | BY | APP. | DATE |
| SUBSIDIARY DISTRIBUTION | | | | |
| AE | <input type="checkbox"/> | AN | <input type="checkbox"/> | AM |
| CH | <input type="checkbox"/> | AV | <input type="checkbox"/> | AA |
| AG | <input type="checkbox"/> | AP | <input type="checkbox"/> | AC |
| | <input type="checkbox"/> | | <input type="checkbox"/> | AS |
| | <input type="checkbox"/> | | <input type="checkbox"/> | AL |
| | <input type="checkbox"/> | | <input type="checkbox"/> | AR |
| | <input type="checkbox"/> | | <input type="checkbox"/> | AS |
| | <input type="checkbox"/> | | <input type="checkbox"/> | AL |
| | <input type="checkbox"/> | | <input type="checkbox"/> | AR |
| | <input type="checkbox"/> | | <input type="checkbox"/> | AS |
| COMPUTER GENERATED DRAWING | | | | |
| SCALE 1:1 ACAD FILE | | | | |
| SIZE DWG. NO. DS781128 | | | | |
| CHANGE LETTER ECN NO. 205825 SHEET 5 OF 6 | | | | |

PROJECT NAME: WIRING DIAGRAM
4000 SERIES (J4ACTS/J4NCTS)
GROUP 5 CONTROLS

MANUFACTURING TOLERANCES TO BE IN ACCORDANCE WITH ASCO PROCEDURE MP-1-003. FOR PLASTIC PARTS SEE MP-1-055.

PROPERTY OF ASCO POWER TECHNOLOGIES. USE PERMITTED FOR OUR WORK ONLY. ALL RIGHTS OF DESIGN OR INVENTION ARE RESERVED.

ASCO POWER TECHNOLOGIES, L.P.
FLORHAM PARK, NEW JERSEY 07932 U.S.A.

WIRE RUN LISTING

| HARNESS LOCATOR | | BOX CHECKED IF HARNESS IS MODIFIED | CLR | AWG |
|-----------------|-----------------------------------------|------------------------------------|-----|-----|
| WIRE No. | HARNESS 619510-061 (P,PA,J3,J4) MAIN TS | | | |
| 1 | P-1,CN-18 | | | 18 |
| 2 | P-2,CN-A | | | |
| 3 | P-3,CN-14 | | | |
| 4 | P-4,TS-3 | | | |
| 4 | TS-3,CE-15 | | | |
| 4 | CE-15,CN-15 | | | |
| 5 | P-5,CN-B | | | |
| 6 | P-6,TS-7 | | | |
| 6 | TS-7,CE-19 | | | |
| 6 | CE-19,CN-19 | | | |
| 7 | P-7,TS-5 | | | |
| 7 | TS-5,CE-17 | | | |
| 7 | CE-17,CN-17 | | | |
| 8 | P-8,CE-24 | | | |
| 8 | CE-24,J3-1 | | | |
| 9 | P-9,CE-25 | | | |
| 9 | CE-25,J3-2 | | | |
| 10 | P-10,CE-21 | | | |
| 10 | CE-21,CN-48 | | | |
| 10 | CN-48,CN-48 | | | |
| 11 | P-11,TS-2 | | | |
| 12 | P-12,TS-1 | | | |
| 12 | TS-1,CE-13 | | | |
| 12 | CE-13,CN-13 | | | |
| 13 | P-13,CN-49 | | | |
| 14 | P-14,CN-22 | | | |
| 15 | P-15,CN-16 | | | |
| 16 | P-16,CN-20 | | | |
| 17 | P-17,J3-3 | | | |
| 18 | P-18,TS-6 | | | |
| 19 | P-19,TS-9 | | | |
| 20 | P-20,TS-10 | | | |
| 21 | P-21,TS-11 | | | |
| 22 | P-22,TS-4 | | | |
| 23 | P-23,TS-8 | | | |
| 24 | P-24,TS-12 | | | |
| 25 | J4-1,CE-27 | | | |
| 25 | CE-27,CN-27 | | | |
| 26 | J4-2,CE-28 | | | |
| 27 | J4-3,CN-28 | | | |
| 28 | J4-4,CE-30 | | | |
| 28 | CE-30,CN-30 | | | |
| 29 | J4-5,CE-31 | | | |
| 30 | J4-6,CN-31 | | | |
| 31 | J4-7,CE-33 | | | |
| 31 | CE-33,CN-33 | | | |
| 32 | J4-8,CE-34 | | | |
| 33 | J4-9,CN-34 | | | |
| 34 | J4-10,CE-36 | | | |
| 34 | CE-36,CN-36 | | | |
| 35 | J4-11,CN-38 | | | |
| 36 | J4-12,CE-38 | | | |
| 37 | J4-13,CE-39 | | | |
| 37 | CE-39,CN-39 | | | |
| 38 | J4-14,CN-41 | | | |
| 39 | J4-15,CE-41 | | | |
| 40 | J4-16,CE-42 | | | |
| 40 | CE-42,CN-42 | | | |
| 41 | J4-17,CN-44 | | | |
| 42 | J4-18,CE-44 | | | |
| 43 | J4-19,CE-45 | | | |
| 43 | CE-45,CN-45 | | | |
| 107 | PA-1,CE-18 | | | |
| 108 | PA-2,CE-A | | | |
| 109 | PA-3,CE-14 | | | |
| 111 | PA-5,CE-B | | | |
| 119 | PA-13,CE-22 | | | |
| 120 | PA-14,CE-49 | | | |
| 121 | PA-15,CE-16 | | | |
| 122 | PA-16,CE-20 | | | |
| 123 | PA-17,CE-47 | | | |
| 124 | PA-18,CN-47 | | | |
| ADD WIRES | | | | |
| 97 | J3-4 | | | |
| 44 | J4-20 | | | |
| 45 | J4-21 | | | |
| 46 | J4-22 | | | |
| 47 | J4-23 | | | |
| 48 | J4-24 | | | |
| 110 | PA-4 | | | |
| 112 | PA-6 | | | |
| 113 | PA-7 | | | |
| 114 | PA-8 | | | |
| 113 | PA-9 | | | |
| 116 | PA-10 | | | |
| 117 | PA-11 | | | |
| 118 | PA-12 | | | |
| 125 | PA-19 | | | |
| 126 | PA-20 | | | |
| 127 | PA-21 | | | |
| 128 | PA-22 | | | |
| 129 | PA-23 | | | |
| 130 | PA-24 | | | |

| HARNESS LOCATOR | | BOX CHECKED IF HARNESS IS MODIFIED | CLR | AWG |
|-----------------|----------------------------------------------|------------------------------------|-----|-----|
| WIRE No. | HARNESS 483763 (J,CP-P1,CP-P2) CONTROL PANEL | | | |
| 1 | J-1,CP-P1-8 | | | 16 |
| 2 | J-2,CP-P1-15 | | | |
| 3 | J-3,CP-P1-2 | | | |
| 4 | J-4,CP-P1-4 | | | |
| 5 | J-5,CP-P1-17 | | | |
| 6 | J-6,CP-P1-12 | | | |
| 7 | J-7,CP-P1-7 | | | |
| 8 | J-8,CP-P2-2 | | | |
| 9 | J-9,CP-P2-3 | | | |
| 10 | J-10,CP-P2-8 | | | |
| 11 | J-11,CP-P1-10 | | | |
| 12 | J-12,CP-P1-1 | | | |
| 13 | J-13,CP-P2-9 | | | |
| 14 | J-14,CP-P2-10 | | | |
| 15 | J-15,CP-P1-5 | | | |
| 16 | J-16,CP-P1-13 | | | |
| 17 | J-17,CP-P2-1 | | | |
| 18 | J-18,CP-P1-14 | | | |
| ADD WIRES | | | | |
| 19 | J-19 | | | |
| 20 | J-20 | | | |
| 21 | J-21 | | | |
| 22 | J-22 | | | |
| 23 | J-23 | | | |
| 24 | J-24 | | | |

| HARNESS LOCATOR | | BOX CHECKED IF HARNESS IS MODIFIED | CLR | AWG |
|-----------------|--------------------------------------------------|------------------------------------|-----|-----|
| WIRE No. | HARNESS 309320-005 OPTIONAL 8" EXTENSION HARNESS | | | |
| 1 | Jx-1,Px-1 | | | 16 |
| 2 | Jx-2,Px-2 | | | |
| 3 | Jx-3,Px-3 | | | |
| 4 | Jx-4,Px-4 | | | |
| 5 | Jx-5,Px-5 | | | |
| 6 | Jx-6,Px-6 | | | |
| 7 | Jx-7,Px-7 | | | |
| 8 | Jx-8,Px-8 | | | |
| 9 | Jx-9,Px-9 | | | |
| 10 | Jx-10,Px-10 | | | |
| 11 | Jx-11,Px-11 | | | |
| 12 | Jx-12,Px-12 | | | |
| 13 | Jx-13,Px-13 | | | |
| 14 | Jx-14,Px-14 | | | |
| 15 | Jx-15,Px-15 | | | |
| 16 | Jx-16,Px-16 | | | |
| 17 | Jx-17,Px-17 | | | |
| 18 | Jx-18,Px-18 | | | |
| 19 | Jx-19,Px-19 | | | |
| 20 | Jx-20,Px-20 | | | |
| 21 | Jx-21,Px-21 | | | |
| 22 | Jx-22,Px-22 | | | |
| 23 | Jx-23,Px-23 | | | |
| 24 | Jx-24,Px-24 | | | |
| ADD WIRES | | | | |
| 200 | P3-4 | | | |
| 201 | P4-13 | | | |
| 202 | P4-14 | | | |
| 203 | P4-15 | | | |
| 204 | P4-16 | | | |
| 205 | P4-17 | | | |
| 206 | P4-18 | | | |
| 207 | P4-19 | | | |
| 208 | P4-20 | | | |
| 209 | P4-21 | | | |
| 210 | P4-22 | | | |
| 211 | P4-23 | | | |
| 201 | P4-24 | | | |

| HARNESS LOCATOR | | BOX CHECKED IF HARNESS IS MODIFIED | CLR | AWG |
|-----------------|-------------------------------------------------|------------------------------------|-----|-----|
| WIRE No. | HARNESS 619385 (JA,CP-P2,DOC-P1) CONTROL MODULE | | | |
| 107 | JA-1,DOC-P1-8 | | | 16 |
| 108 | JA-2,DOC-P1-15 | | | |
| 109 | JA-3,DOC-P1-2 | | | |
| 111 | JA-5,DOC-P1-17 | | | |
| 119 | JA-13,CP-P2-6 | | | |
| 120 | JA-14,CP-P2-7 | | | |
| 121 | JA-15,DOC-P1-5 | | | |
| 122 | JA-16,DOC-P1-13 | | | |
| ADD WIRES | | | | |
| 110 | JA-4 | | | |
| 112 | JA-6 | | | |
| 113 | JA-7 | | | |
| 114 | JA-8 | | | |
| 115 | JA-9 | | | |
| 116 | JA-10 | | | |
| 117 | JA-11 | | | |
| 118 | JA-12 | | | |
| 123 | JA-17,DOC-P2-4 | | | |
| 124 | JA-18,DOC-P2-5 | | | |
| 125 | JA-19 | | | |
| 126 | JA-20 | | | |
| 127 | JA-21 | | | |
| 128 | JA-22 | | | |
| 129 | JA-23 | | | |
| 130 | JA-24 | | | |

| HARNESS LOCATOR | | BOX CHECKED IF HARNESS IS MODIFIED | CLR | AWG |
|-----------------|-----------------------------------------------------|------------------------------------|-----|-----|
| WIRE No. | HARNESS 309320-005 OPTIONAL 8 IN. EXTENSION HARNESS | | | |
| 107 | Jy-1,Py-1 | | | 16 |
| 108 | Jy-2,Py-2 | | | |
| 109 | Jy-3,Py-3 | | | |
| 110 | Jy-4,Py-4 | | | |
| 111 | Jy-5,Py-5 | | | |
| 112 | Jy-6,Py-6 | | | |
| 113 | Jy-7,Py-7 | | | |
| 114 | Jy-8,Py-8 | | | |
| 115 | Jy-9,Py-9 | | | |
| 116 | Jy-10,Py-10 | | | |
| 117 | Jy-11,Py-11 | | | |
| 118 | Jy-12,Py-12 | | | |
| 119 | Jy-13,Py-13 | | | |
| 120 | Jy-14,Py-14 | | | |
| 121 | Jy-15,Py-15 | | | |
| 122 | Jy-16,Py-16 | | | |
| 123 | Jy-17,Py-17 | | | |
| 124 | Jy-18,Py-18 | | | |
| 125 | Jy-19,Py-19 | | | |
| 126 | Jy-20,Py-20 | | | |
| 127 | Jy-21,Py-21 | | | |
| 128 | Jy-22,Py-22 | | | |
| 129 | Jy-23,Py-23 | | | |
| 130 | Jy-24,Py-24 | | | |

| HARNESS LOCATOR | | BOX CHECKED IF HARNESS IS MODIFIED | CLR | AWG |
|-----------------|----------------------------------------------|------------------------------------|-----|-----|
| WIRE No. | HARNESS 781442 (P3,P4,TB) FIELD TERMINATIONS | | | |
| 8 | P3-1,TB-1 | | | 16 |
| 9 | P3-2,TB-2 | | | |
| 17 | P3-3,TB-3 | | | |
| 25 | P4-1,TB-4 | | | |
| 26 | P4-2,TB-5 | | | |
| 27 | P4-3,TB-6 | | | |
| 28 | P4-4,TB-7 | | | |
| 29 | P4-5,TB-8 | | | |
| 30 | P4-6,TB-9 | | | |
| ADD WIRES | | | | |
| 200 | P3-4 | | | |
| 201 | P4-13 | | | |
| 202 | P4-14 | | | |
| 203 | P4-15 | | | |
| 204 | P4-16 | | | |
| 205 | P4-17 | | | |
| 206 | P4-18 | | | |
| 207 | P4-19 | | | |
| 208 | P4-20 | | | |
| 209 | P4-21 | | | |
| 210 | P4-22 | | | |
| 211 | P4-23 | | | |
| 201 | P4-24 | | | |

| HARNESS LOCATOR | | BOX CHECKED IF HARNESS IS MODIFIED | CLR | AWG |
|-----------------|--------------------------------------------------------|------------------------------------|-----|-----|
| WIRE No. | OPTIONAL HARNESS (P4,TB) ADDITIONAL FIELD TERMINATIONS | | | |
| 31 | P4-7,TB-10 | | | 16 |
| 32 | P4-8,TB-11 | | | |
| 33 | P4-9,TB-12 | | | |
| 34 | P4-10,TB-13 | | | |
| 35 | P4-11,TB-15 | | | |
| 36 | P4-12,TB-14 | | | |

| WIRE No. | ADDITIONAL WIRING | CLR | AWG |
|----------|-------------------|-----|----------|
| 132 | CP-P6-40,TFR-A | BLK | 22 |
| 133 | CP-P6-41,TFR-B | RED | (2 COND) |
| 134 | CP-P6-42,DOC-P2-1 | BLK | |
| 135 | CP-P6-43,DOC-P2-3 | WHT | 22 |
| 136 | CP-P6-44,DOC-P2-2 | RED | (4 COND) |
| 137 | CP-P6-24,DOC-P2-6 | GRN | |

| | | | | | |
|-----------------------------------------------------------------------------------------------------------------------|------------------|----------------------------|-------------------|--------|--------------|
| PROJECT NAME: | WIRING DIAGRAM | 205825 | JPB | JPB | 9/8/05 |
| 4000 SERIES (J4ACTS/J4NCTS) | GROUP 5 CONTROLS | 205768 | JPB | JPB | 8/31/05 |
| | | 205265 | JPB | JPB | 7/26/05 |
| SUBSIDIARY DISTRIBUTION | | COMPUTER GENERATED DRAWING | | | |
| THIRD ANGLE PROJECTION | | SCALE | 1:1 | ACAD | FILE |
| MANUFACTURING TOLERANCES TO BE IN ACCORDANCE WITH ASCO PROCEDURE MP-1-003. FOR PLASTIC PARTS SEE MP-1-005. | | SIZE | DWG. NO. DS781128 | | |
| PROPERTY OF ASCO POWER TECHNOLOGIES. USE PERMITTED FOR OUR WORK ONLY. ALL RIGHTS OF DESIGN OR INVENTION ARE RESERVED. | | CHANGE LETTER | ECN NO. | 205825 | SHEET 6 OF 6 |
| ASCOTM ASCO POWER TECHNOLOGIES, L.P. FLORENCE PARK, NEW JERSEY 07932 U.S.A. | | | | | |