

**Parts List
for AC Generators**

QAS366 Gd USA

Parts list – Liste de pièces – Lista de las partes – Lista de peças 93

Glossary – Glossaire – Glosario – Glossário 127

Registration code

Collection: APC Q

Tab : 39

Printed Matter N°

2954 0254 00

12/2002

Atlas Copco

ATLAS COPCO - PORTABLE AIR DIVISION

www.atlascopco.com

PARTS INDEX

PART	PAGE	PART	PAGE
A			
AIR FILTER	96, 106, 119	I	
AIR FILTER DUST VALVE	96	INDICATOR	106
AIR FILTER ELEMENT	96, 119	K	
AIR FILTER SAFETY CARTRIDGE	96, 119	KEY	110
ALTERNATOR	96, 99, 115	L	
AMPEREMETER	124	LIFTING EYE	102
AUTOMATIC OILER	101	M	
AUXILIARY RELAY	123	MARKINGS	114
B			
BAFFLE/FOAM	121	MODULE	97
BATTERY	112	MODULE REMOTE START	124
BATTERY CABLE	112	MUFFLER	106
BATTERY SWITCH	112	O	
BODYWORK	110	OIL FILTER	95, 96
BUFFER	122	OIL PRESSURE GAUGE	124
BULB PANELLIGHT	124	OIL PRESSURE SENSOR	112
C			
CIRCUIT BREAKER	123, 124	OIL PUMP	106
CONNECTOR	123, 124	OIL TANK	101
CONTACTOR	123	OIL TANK CAP	101
CONTROL PANEL	123, 124	P	
COOLANT HEATER	118	PANNELLIGHT	124
COOLANT LEVEL SENSOR	106	POTMETER	124
COOLER	104, 109	PRE FUELFILTER	96
COUPLING	108	R	
CUBICLE	123	RADIATOR	109
CUBICLE AND ACCESSORIES	115	RAIN CAP	114
CURRENT TRANSFORMER	123	RECEPTACLE	116
D			
DDEC PAPER	125	REGULATOR UVR-6	96
DDEC PRINTER	125	ROTATING DIODE BRIDGE	96
DDEC READER	125	S	
DECALS	115	SERVICE LABEL	114
E			
ELECTRICAL SYSTEM	112	SERVICE PAKS	95
EMERGENCY STOP	123	SERVICE PARTS	96
ENGINE	96, 115	SHUNT TRIP COIL	123
ENGINE ACCESSORIES	106	SOLENOID VALVE	101
EXHAUST PIPE	106	SPEED SWITCH	123
F			
FAN	109	SPILLAGE FREE	116
FAN GUARD	109	SPINDLE LOCK	124
FLASH LIGHT	123	START RELAY	112
FRAME	120	SWITCH	99, 124
FRAME/FUELTANK	116, 120	T	
FRAME AND MOUNTS	102	TEMPERATURE GAUGE	124
FREQUENCYMETER	124	TEMPERATURE SENSOR	112
FUELFILTER	95	TERMINAL	123
FUEL LEVEL GAUGE	104, 124	TERMINAL BOARD	98, 123
FUEL SYSTEM	104	TERMINAL PIN	124
FUELTANK	100, 120	THREE WAY VALVE	104
FUSE HOLDER	123	V	
FUSE	96, 123	VALVE	101, 109
H			
HOURLMETER	124	V-BELT	106
		VOLTAGE SELECTION SWITCH	124
		VOLTMETER	124
		VOLTMETER SELECTION SWITCH	124

ORDERING SPARE PARTS

Always quote the part number, the designation and the quantity of the parts required, as well as the type and the serial number of the machine.

EXPLANATION OF THE COLUMNS

REF : REFERENCE CODE

Establishes the connection between a part in the list and a part in the illustration.

"—" means that the part is not shown in the illustration.

PART NUMBER

If no part number is given, the part cannot be obtained as a spare part. Parts marked with a dot are part of the assembly listed right above them.

DESIGNATION

Usually this is the name of the part. For standard parts, in addition to the name, a number of characteristics are given.

QTY : QUANTITY

Indicates the quantity of the part concerned. "AR" stands for "As Required".

PEDIDO DE PARTES

Siempre comunicar el número de parte, la designación y la cantidad deseada así como el tipo y el número de serie de la máquina.

INFORMACIONES SOBRE LAS COLUMNAS

REF : CODIGO DE REFERENCIA

Establece la conexión entre una parte en la lista y una parte en la ilustración.

"—" quiere decir que la parte no está ilustrada.

PART NUMBER : NUMERO DE PARTE

Si no se da ningún número, quiere decir que la parte no está disponible como parte de recambio.

Partes marcadas con un punto son partes del conjunto indicado más arriba.

DESIGNATION : DESIGNACION

Principalmente el nombre de la parte. En caso de partes estándares, el nombre es seguido por especificaciones.

QTY : CANTIDAD

Indica la cantidad de la parte correspondiente. La indicación "AR" significa "As Required" (como sea requerido).

COMMANDE DE PIÈCES DETACHEES

Toujours indiquer le numéro de pièce, la désignation, la quantité désirée ainsi que le type et le numéro de série du groupe.

EXPLICATION DES INTITULES DES COLONNES

REF : CODE DE REFERENCE

Réfère à la pièce détachée spécifiée dans la liste et sur l'illustration. "—" implique que la pièce n'est pas indiquée sur l'illustration.

PART NUMBER : NUMERO DE PIECE DETACHEE

Si le numéro n'est pas indiqué, la pièce n'est pas disponible en tant que pièce de rechange.

Les pièces indiquées par un point gras font partie de l'ensemble se trouvant au-dessus des pièces détachées correspondantes.

DESIGNATION

En général, le nom de la pièce. S'il s'agit de pièces standard, outre la désignation, un certain nombre de caractéristiques sont indiquées.

QTY : QUANTITE

Indique la quantité de la pièce détachée. "AR" indique "As required", c'est-à-dire la quantité à déterminer selon le cas.

ONCOMENDAS DE PEÇAS

Refira sempre o número da peça, a designação e a quantidade das peças que pretende encomendar, assim como o tipo e o número de série do aparelho.

EXPLICAÇÃO DAS COLUNAS

REF : CÓDIGO DE REFERÊNCIA

Estabeleça a ligação entre a peça na lista e a peça no desenho. "—" significa que a peça não vem no desenho.

PART NUMBER : NÚMERO DA PEÇA

Se não vier referido o número da peça, a peça não pode ser adquirida como peça sobressalente.

As peças marcadas com pontos são peças de um conjunto listado acima dessa peça.

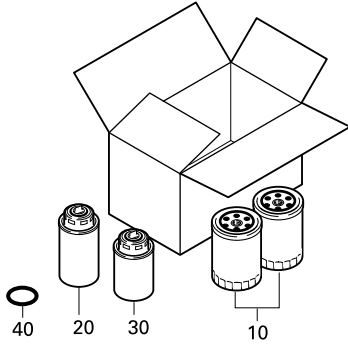
DESIGNATION : DESIGNAÇÃO

Geralmente é o nome da peça. Para peças normalizadas, além do nome da peça, vem também referido um número.

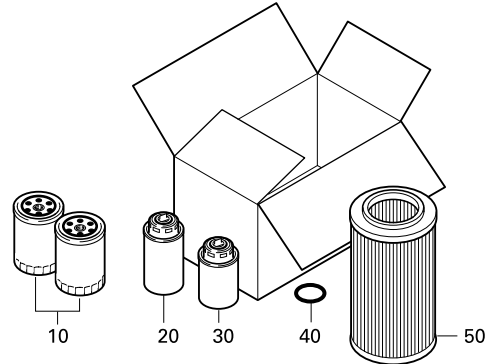
QTY : QUANTIDADE

Indica a quantidade da peça em questão. "AR" (As Required) quer dizer "Como solicitado".

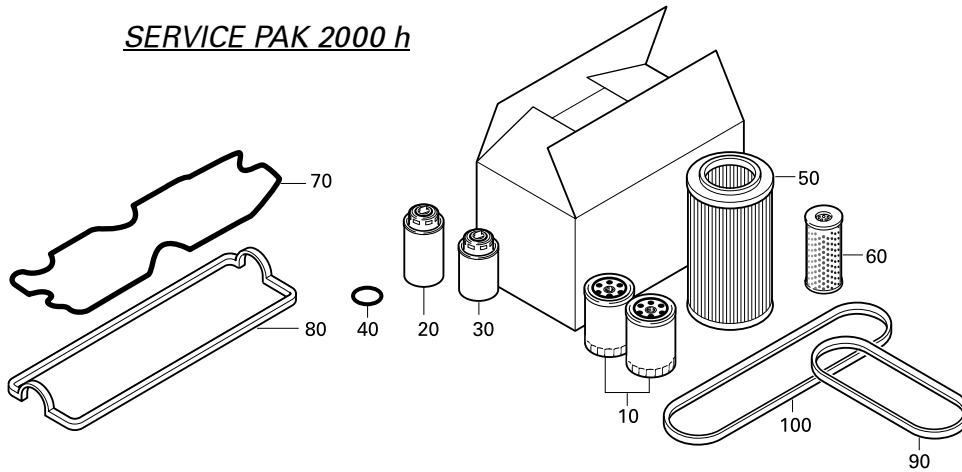
SERVICE PAK 250 h



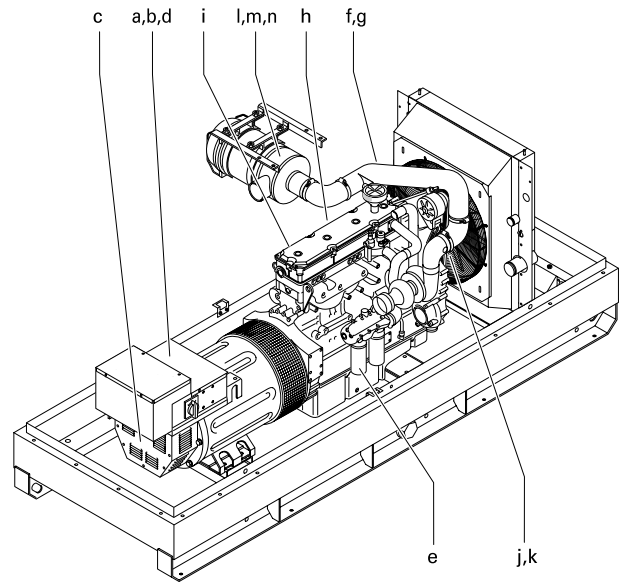
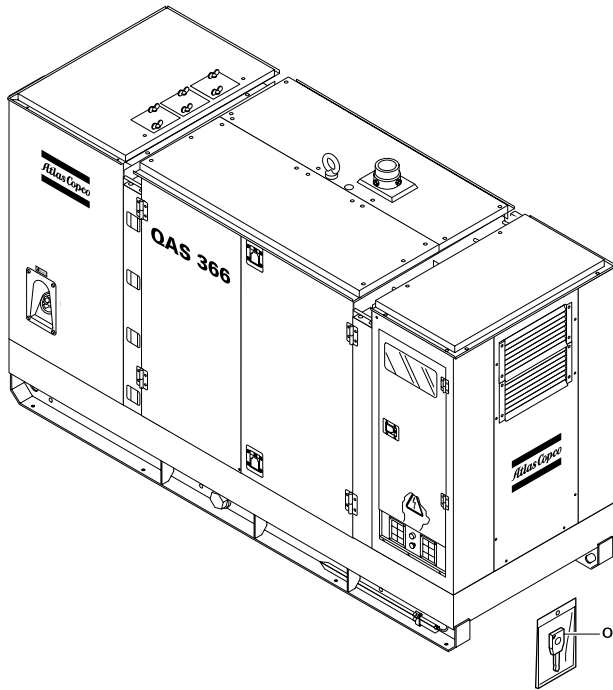
SERVICE PAK 500 h



SERVICE PAK 2000 h

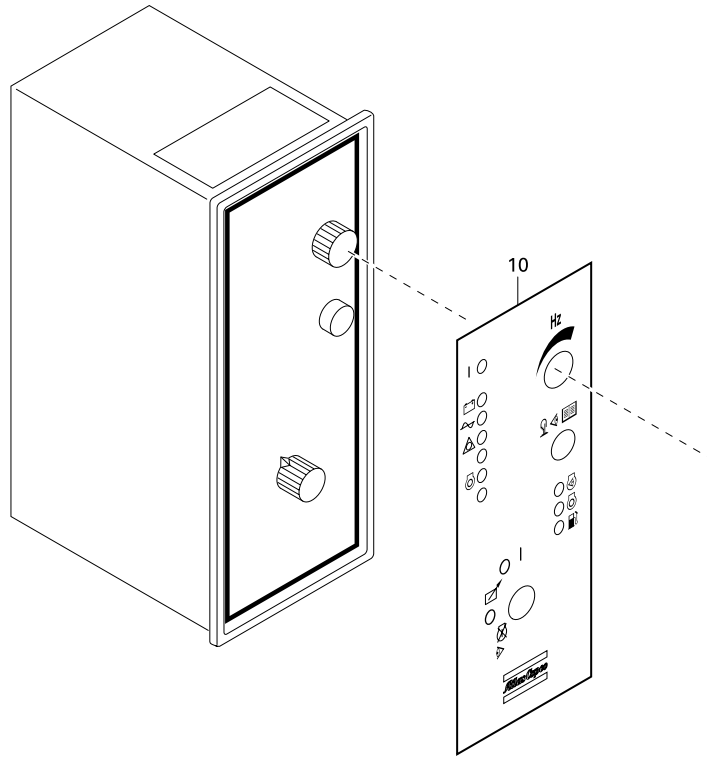


REF	PART NUMBER	DESIGNATION	QTY	REF	PART NUMBER	DESIGNATION	QTY
	2912 4201 05	SERVICE PAK 250 HRS					
•10	-	OIL FILTER	2				
•20	-	FUEL FILTER	1				
•30	-	PRE FUEL FILTER	1				
•40	-	GASKET, DRAIN PLUG	1				
	2912 4204 06	SERVICE PAK 500 HRS					
•10	-	OIL FILTER	2				
•20	-	FUEL FILTER	1				
•30	-	PRE FUEL FILTER	1				
•40	-	AIR FILTER ELEMENT	1				
•50	-	GASKET, DRAIN PLUG	1				
	2912 4205 07	SERVICE PAK 2000 HRS					
•10	-	OIL FILTER	2				
•20	-	FUEL FILTER	1				
•30	-	PRE FUEL FILTER	1				
•40	-	AIR FILTER ELEMENT	1				
•50	-	AIR FILTER SAFETY CARTRIDGE	1				
•60	-	GASKET, DRAIN PLUG	1				
•70	-	GASKET, ROCKER COVER (UPPER)	1				
•80	-	GASKET, ROCKER COVER (LOWER)	1				
•90	-	BELT 28V ALTERNATOR	1				
•100	-	V-BELT SET FAN	1				

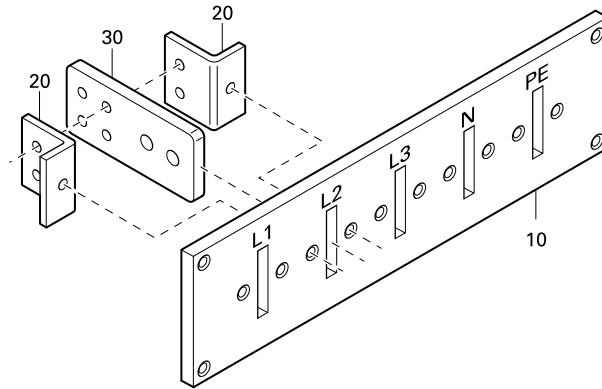


REF	PART NUMBER	DESIGNATION	QTY
		ALTERNATOR	
a	2914 9000 00	REGULATOR UVR-6	
b	2914 9004 00	DIODE D6 IN REGULATOR	
c	2914 9003 00	ROTATING DIODE BRIDGE	
d	1089 9037 04	FUSE 6.3A SLOW	
		ENGINE	
e	2914 8067 00	OIL FILTER (2X)	
f	2914 8068 00	FUEL PREFILTER	
g	2914 8069 00	FUEL FILTER	
h	2914 9120 00	GASKET ROCKER COVER (UP)	
i	2914 9121 00	GASKET ROCKER COVER (DOWN)	
j	1615 8655 00	V-BELT SET FAN	
k	2914 9124 00	BELT ALTERNATOR	
		AIR FILTER	
l	2914 5010 00	AIR FILTER ELEMENT	
m	2914 5011 00	AIR FILTER SAFETY CARTRIDGE	
n	1619 3188 00	AIR FILTER DUST VALVE	

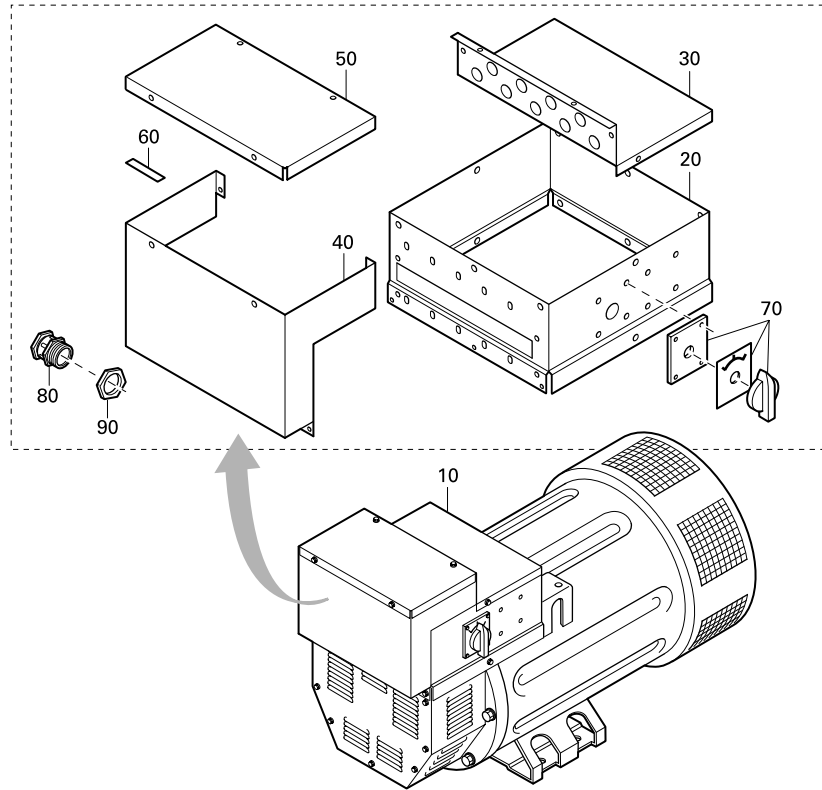
REF	PART NUMBER	DESIGNATION	QTY
		OTHERS	
o	2914 9500 00	KEY (FUEL CAP)	



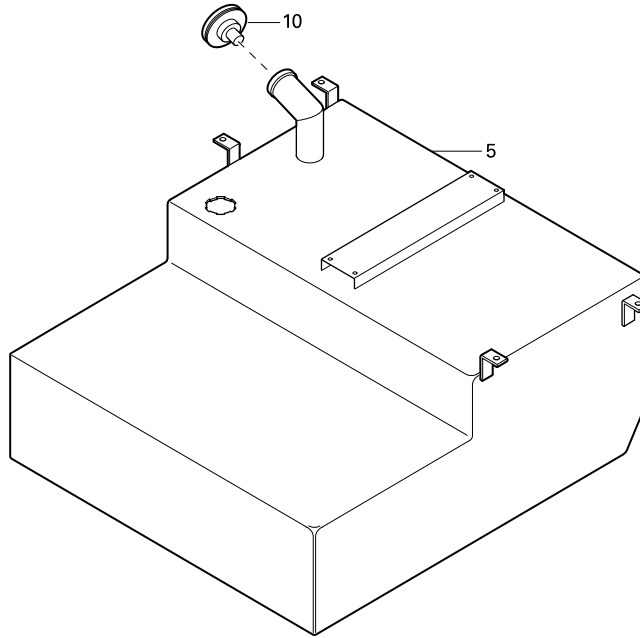
REF	PART NUMBER	DESIGNATION	QTY	REF	PART NUMBER	DESIGNATION	QTY
-	1089 9455 48	MODULE Item of list on page 124					
• 10	1079 9920 52	LABEL	1				



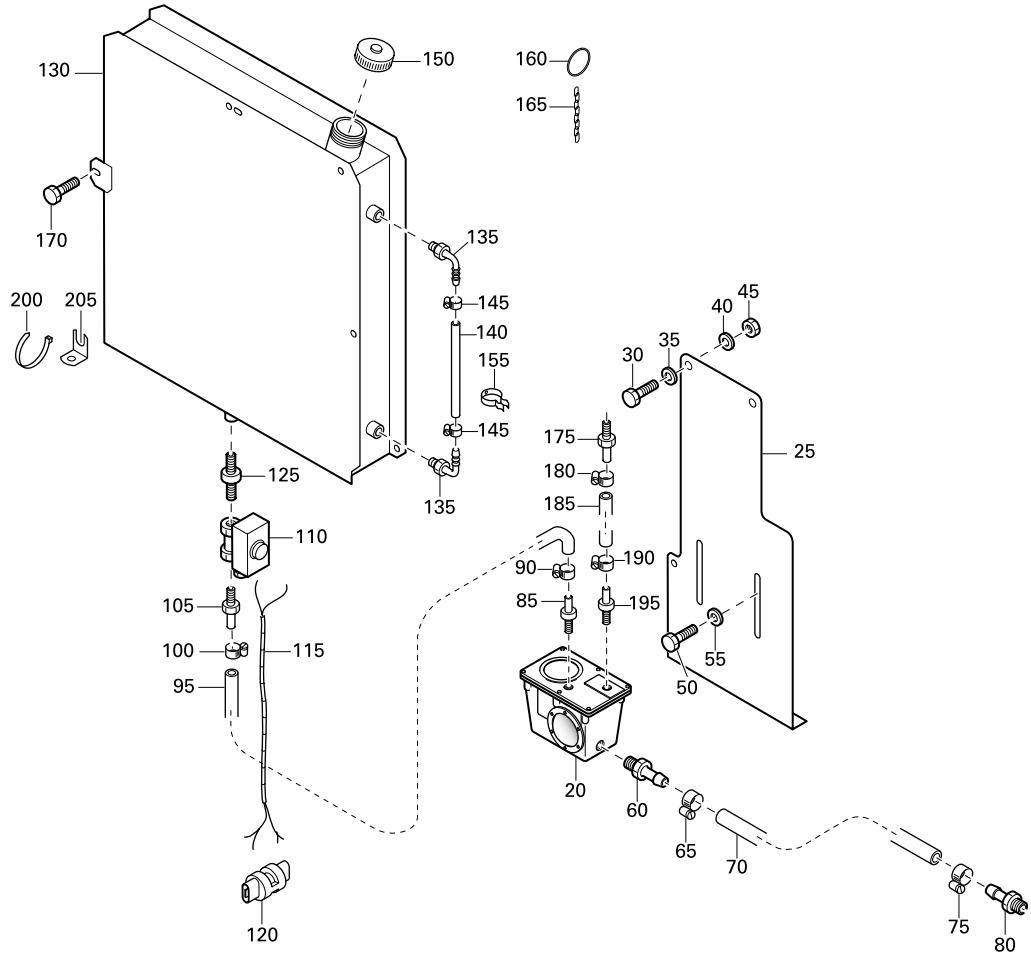
REF	PART NUMBER	DESIGNATION	QTY	REF	PART NUMBER	DESIGNATION	QTY
-	1604 0983 81	TERMINAL BOARD Item of list on page 123					
•	10	1604 0983 01	TERMINAL BOARD				1
•	20	1604 0981 00	BRACKET				10
•	30	1604 0982 01	STRIP				5



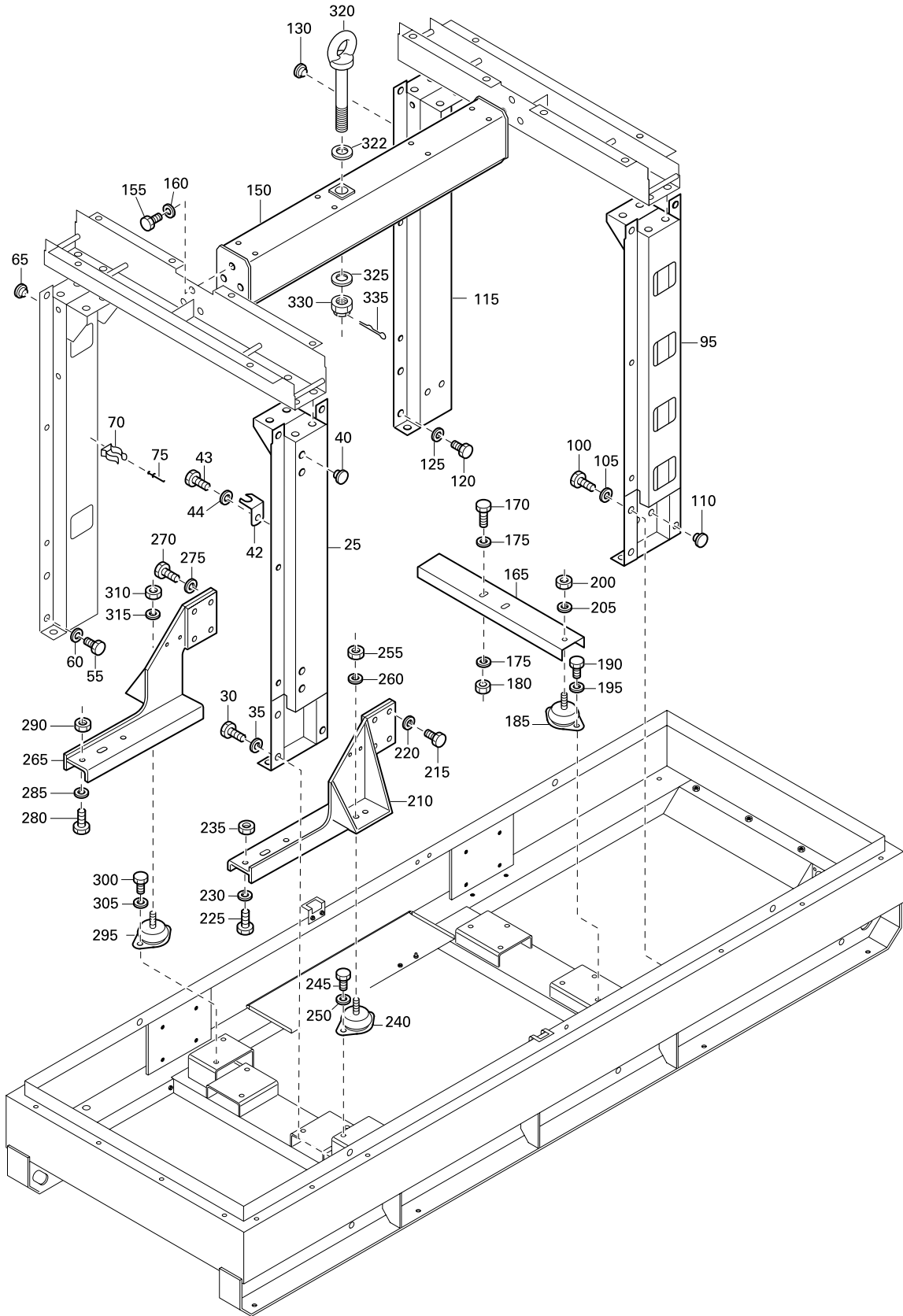
REF	PART NUMBER	DESIGNATION	QTY	REF	PART NUMBER	DESIGNATION	QTY
-	1604 1467 81	ALTERNATOR ASS'Y					
		Item of list on page 115					
• 10	1082 3061 23	ALTERNATOR	1				
• 20	1604 1466 00	BOX	1				
• 30	1604 1467 00	PLATE	1				
• 40	1604 1468 00	PLATE	1				
• 50	1604 1469 00	COVER	1				
• 60	1604 1477 80	CU STRIPS & ACC	1				
• 70	1089 9082 38	SWITCH	1				
• 80	1088 0256 10	CABLE GLAND	1				
• 90	1088 0302 04	NUT	1				



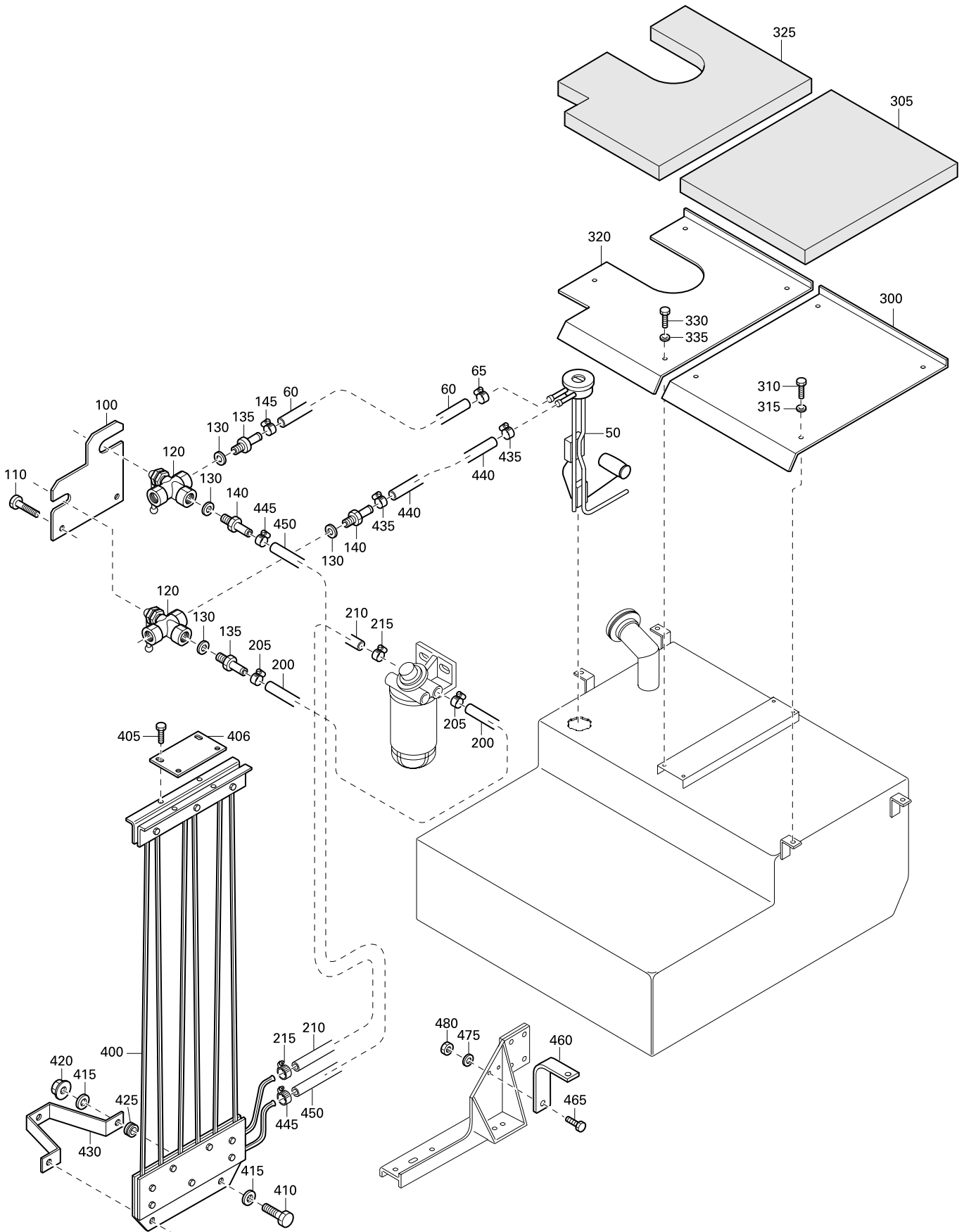
REF	PART NUMBER	DESIGNATION	QTY	REF	PART NUMBER	DESIGNATION	QTY
-	1604 2105 80	FUELTANK ASS'Y Item of list on page 120					
• 5	1604 2105 01	FUEL TANK	1				
• 10	1615 6947 01	COVER	1				



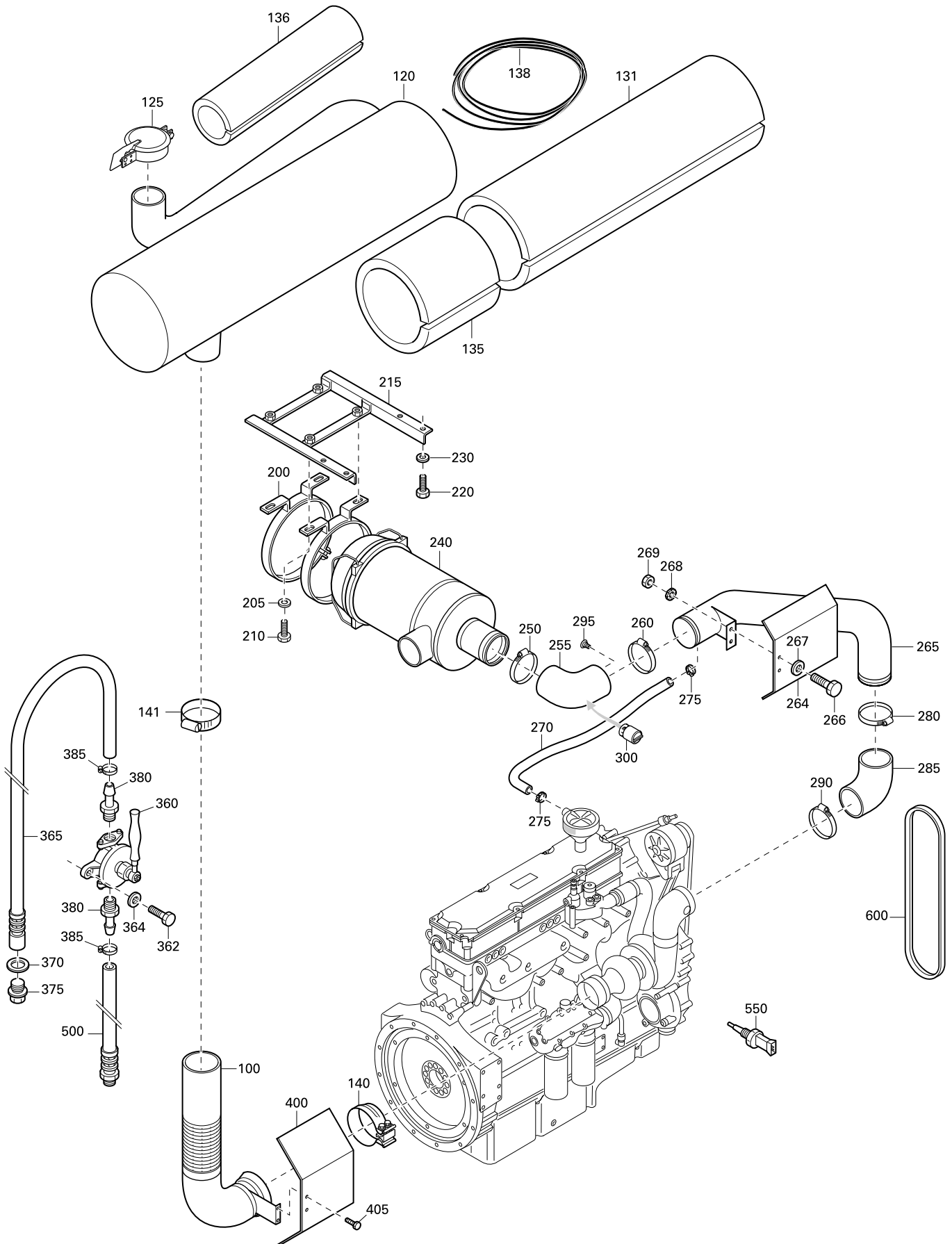
REF	PART NUMBER	DESIGNATION	QTY	REF	PART NUMBER	DESIGNATION	QTY
20	1615 8563 00	FLOAT VALVE	1	140	0070 6002 22	PLASTIC TUBE	AR
25	1604 0992 00	SUPPORT	1	145	0347 6103 00	HOSE CLAMP	2
30	0147 1326 03	HEX. HEAD SCREW	2	150	1615 7653 02	CAP	1
35	0301 2335 00	PLAIN WASHER	2	155	0347 0107 00	HOSE CLAMP	1
40	0333 3227 00	LOCK WASHER	2	160	1619 7461 00	KEY HOLDER	2
45	0266 2110 00	HEXAGON NUT	2	165	2255 0049 00	CHAIN	1
50	0144 3282 00	HEX. HEAD SCREW	2	170	1615 5664 00	SCRAPER BOLT	2
55	0333 3129 00	LOCK WASHER	2	175	0571 0020 14	HOSE NIPPLE	1
60	9000 0245 00	HOSE NIPPLE	1	180	0347 6103 00	HOSE CLAMP	1
65	0347 6108 00	HOSE CLAMP	1	185	0071 8402 48	FUEL HOSE	AR
70	0071 8403 23	FUEL HOSE	AR	190	0347 6103 00	HOSE CLAMP	1
75	0347 6108 00	HOSE CLAMP	1	195	0571 0020 25	HOSE NIPPLE	1
80	9000 0245 00	HOSE NIPPLE	1	200	1088 1301 01	CABLE STRIP	6
85	9000 0243 00	HOSE NIPPLE	1	205	1613 0809 01	BRACKET	2
90	0347 6105 00	HOSE CLAMP	1				
95	0071 8403 01	FUEL HOSE	AR				
100	0347 6105 00	HOSE CLAMP	1				
105	9000 0243 00	HOSE NIPPLE	1				
110	1089 9996 82	SOLENOID VALVE	1				
115	1615 9641 01	WIRE ASSEMBLY	1				
120	1089 0522 01	DIODE	1				
125	0603 4104 03	HEXAGON NIPPLE	1				
130	1615 9647 01	OIL TANK	1				
135	1615 9589 00	NIPPLE	2				



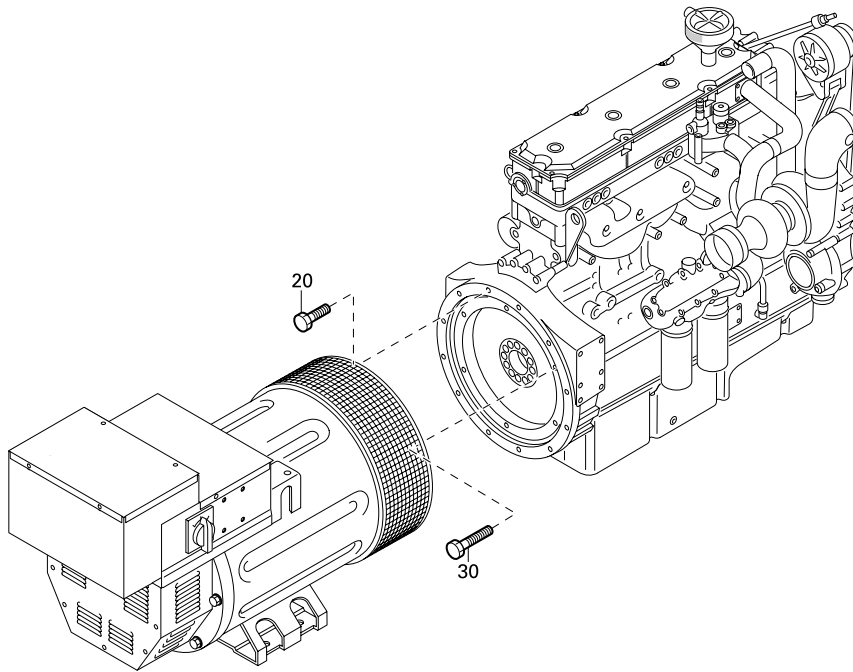
REF	PART NUMBER	DESIGNATION	QTY	REF	PART NUMBER	DESIGNATION	QTY
25	1615 8057 00	LIFTING SUPPORT	1				
30	0147 1400 03	HEX. HEAD SCREW	5				
35	0301 2358 00	PLAIN WASHER	5				
40	1616 2987 00	PLUG	4				
42	1613 0809 01	BRACKET	1				
43	0147 1326 03	HEX. HEAD SCREW	1				
44	0300 8019 00	PLAIN WASHER	1				
55	0147 1400 03	HEX. HEAD SCREW	5				
60	0301 2358 00	PLAIN WASHER	5				
65	1616 2987 00	PLUG	4				
70	1079 3461 02	HOSE CLIP	1				
75	0129 3108 00	BLIND RIVET	1				
95	1615 8075 03	LIFTING SUPPORT	1				
100	0147 1400 03	HEX. HEAD SCREW	6				
105	0301 2358 00	PLAIN WASHER	6				
110	1616 2987 00	PLUG	4				
115	1615 8075 03	LIFTING SUPPORT	1				
120	0147 1400 03	HEX. HEAD SCREW	6				
125	0301 2358 00	PLAIN WASHER	6				
130	1616 2987 00	PLUG	4				
150	1615 8053 01	LIFTING BEAM MIDDLE	1				
155	0147 1476 03	HEX. HEAD SCREW	6				
160	0301 2378 00	PLAIN WASHER	6				
165	1615 8078 00	ENGINE SUPPORT	1				
170	0147 1551 03	HEX. HEAD SCREW	2				
175	0300 0276 06	PLAIN WASHER	4				
180	0291 1116 00	LOCKNUT	2				
185	1615 5510 80	BUFFER ASSEMBLY	2				
190	0147 1400 15	HEX. HEAD SCREW	4				
195	0301 2358 00	PLAIN WASHER	4				
200	0291 1114 00	LOCKNUT	2				
205	0301 2378 00	PLAIN WASHER	2				
210	1615 8071 02	ENGINE SUPPORT	1				
215	0144 3449 03	HEX. HEAD SCREW	4				
220	0301 2378 00	PLAIN WASHER	4				
225	0147 1550 03	HEX. HEAD SCREW	2				
230	0301 2194 00	PLAIN WASHER	4				
235	0291 1116 00	LOCKNUT	2				
240	1619 5318 81	BUFFER ASS'Y	1				
		(For details see drawing on page 122)					
245	0147 1400 15	HEX. HEAD SCREW	2				
250	0301 2358 00	PLAIN WASHER	2				
255	0291 1114 00	LOCKNUT	1				
260	0301 2378 00	PLAIN WASHER	1				
265	1615 8080 01	SUPPORT	1				
270	0144 3449 03	HEX. HEAD SCREW	4				
275	0301 2378 00	PLAIN WASHER	4				
280	0147 1550 03	HEX. HEAD SCREW	2				
285	0301 2194 00	PLAIN WASHER	4				
290	0291 1116 00	LOCKNUT	2				
295	1619 5318 81	BUFFER ASS'Y	1				
		(For details see drawing on page 122)					
300	0147 1400 15	HEX. HEAD SCREW	2				
305	0301 2358 00	PLAIN WASHER	2				
310	0291 1114 00	LOCKNUT	1				
315	0301 2378 00	PLAIN WASHER	1				
320	1615 8039 01	LIFTING EYE	1				
322	1011 1327 00	JOINT	1				
325	0301 2434 00	PLAIN WASHER	1				
330	0281 1328 01	HEXAGON SL. CASTLE NUT	1				
335	0111 1453 00	SPLIT PIN	1				



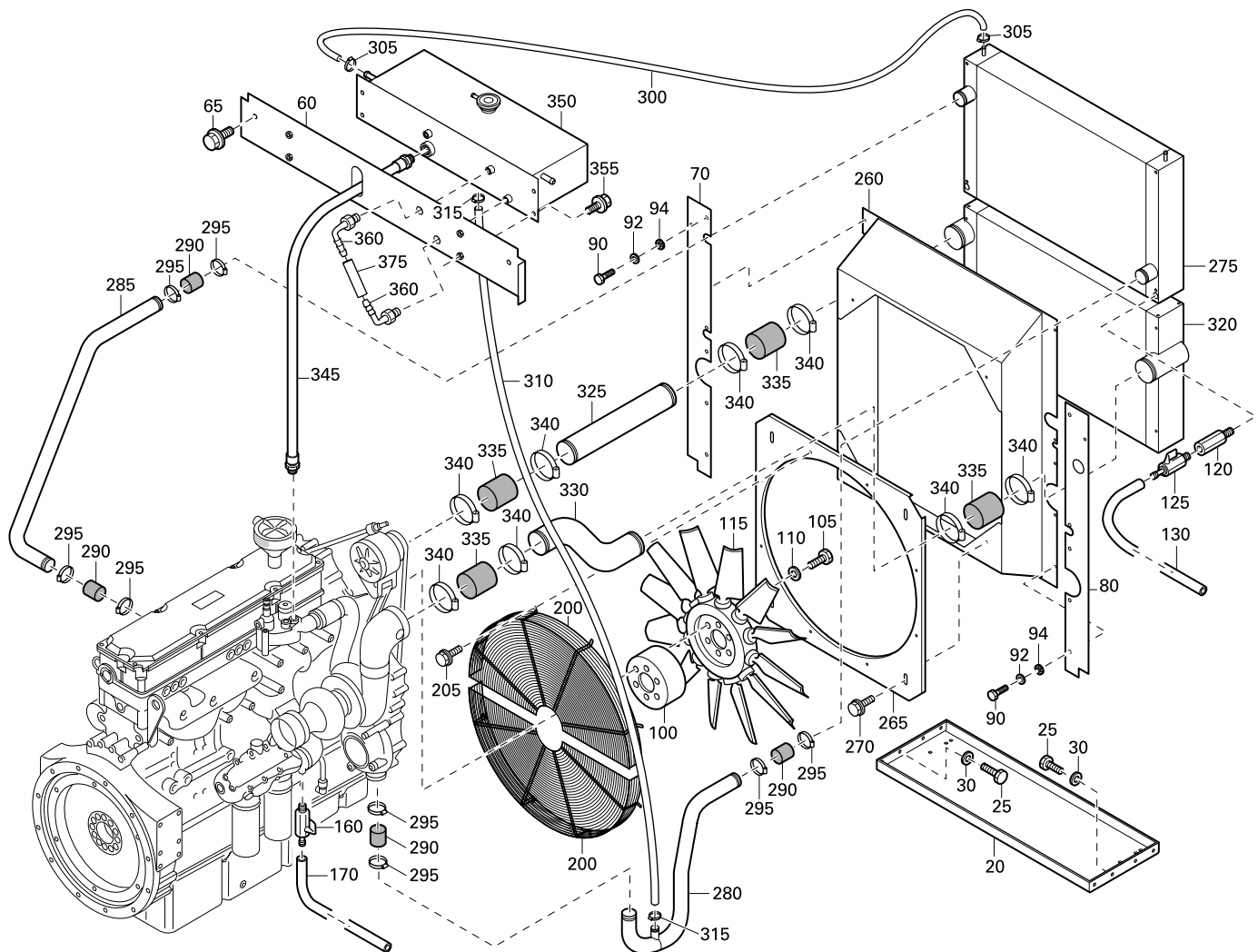
REF	PART NUMBER	DESIGNATION	QTY	REF	PART NUMBER	DESIGNATION	QTY
50	1615 8641 00	LEVEL GAUGE + O-RING	1				
60	0071 8402 90	FUEL HOSE	AR				
65	0347 6104 00	HOSE CLAMP	2				
100	1615 9342 00	SUPPORT	1				
110	0216 1324 03	HEX SOCK. SCREW	2				
120	1615 8007 00	3-WAY VALVE	2				
130	0653 1124 00	FLAT GASKET	4				
135	0571 0020 15	HOSE NIPPLE	2				
140	0571 0020 15	HOSE NIPPLE	2				
145	0347 6103 00	HOSE CLAMP	4				
200	0071 8402 90	FUEL HOSE	AR				
205	0347 6103 00	HOSE CLAMP	2				
210	0071 8402 90	FUEL HOSE	AR				
215	0347 6103 00	HOSE CLAMP	2				
300	1615 8033 00	PLATE FUEL TANK	1				
305	-	SILENCING FOAM	1				
310	0147 1322 03	HEX. HEAD SCREW	4				
315	0300 8019 00	PLAIN WASHER	4				
320	1615 8032 00	PLATE FUEL TANK	1				
325	-	SILENCING FOAM	1				
330	0147 1322 03	HEX. HEAD SCREW	4				
335	0300 8019 00	PLAIN WASHER	4				
400	1615 5573 00	COOLER	1				
405	1619 2766 00	BOLT	4				
406	1604 1555 00	BRACKET	1				
410	0147 1323 03	HEX. HEAD SCREW	2				
415	0301 2335 00	PLAIN WASHER	4				
420	0291 1110 00	LOCKNUT	2				
425	0698 0150 00	GROMMET	2				
430	1615 5574 00	BRACKET	1				
435	0347 6103 00	HOSE CLAMP	2				
440	0071 8402 90	FUEL HOSE	AR				
445	0347 6103 00	HOSE CLAMP	2				
450	0071 8402 90	FUEL HOSE	AR				
460	1615 8422 01	SUPPORT	1				
465	0147 1247 03	HEX. HEAD SCREW	1				
475	0333 3220 00	LOCK WASHER	1				
480	0266 2108 00	HEXAGON NUT	1				
-	1079 0003 32	FOAM PLAST. PERMANENT ADHESIVE 2000 mm x 1500 mm x 30 mm					



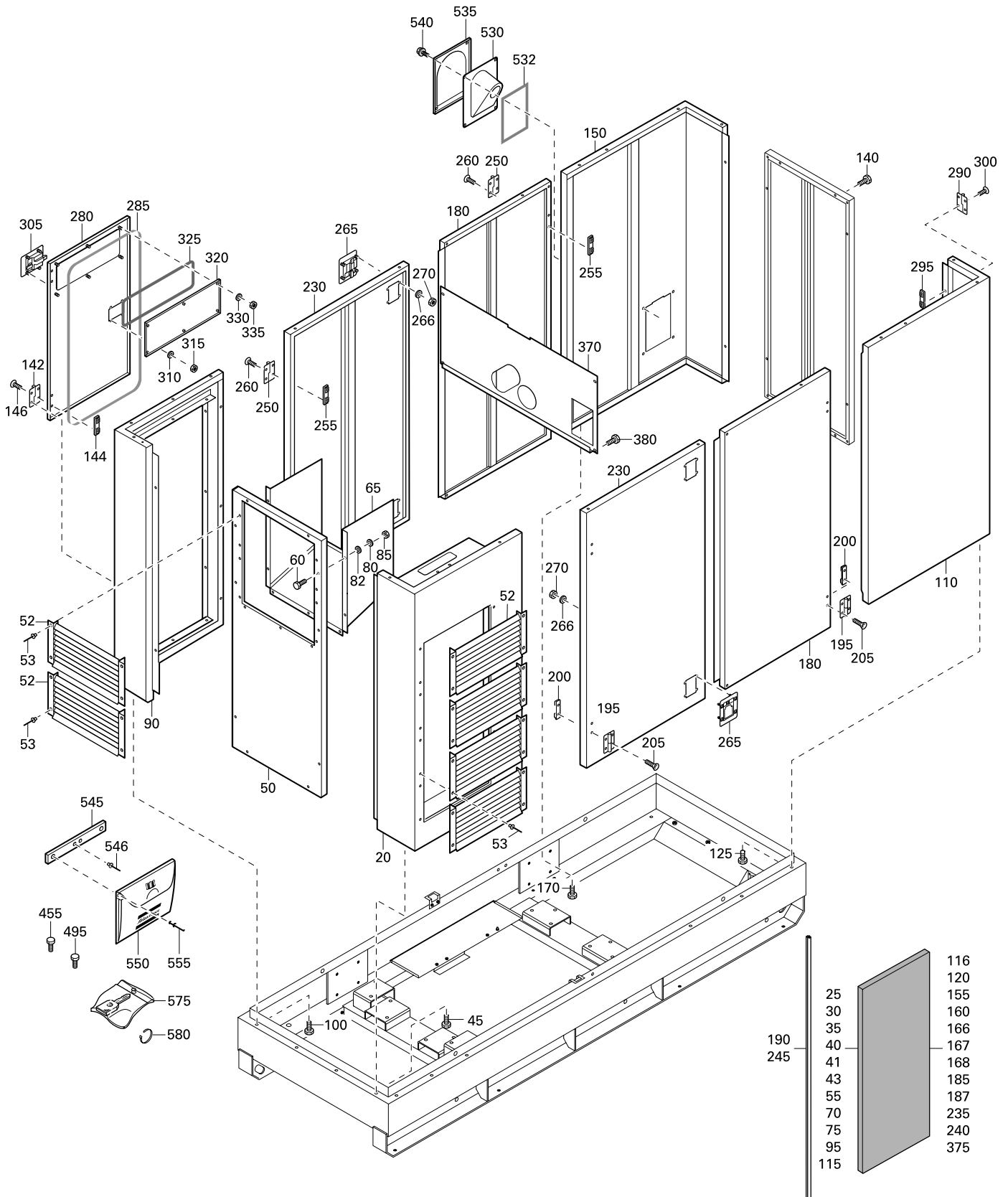
REF	PART NUMBER	DESIGNATION	QTY	REF	PART NUMBER	DESIGNATION	QTY
100	1615 8028 02	EXHAUST PIPE	1				
120	1615 8056 04	MUFFLER	1				
125	1615 8817 00	EXHAUST COVER	1				
131	1615 8612 00	ROCKWOOL	1				
135	1615 8613 00	ROCKWOOL	1				
136	1604 2009 00	INSULATION	1				
138	0050 0300 06	ROUND BAR	AR				
140	1615 7523 00	CLAMP	2				
141	0346 3001 10	PIPE CLAMP	1				
200	1615 8425 00	MOUNTING BAND	2				
205	0333 3232 00	LOCK WASHER	4				
210	0147 1360 03	HEX. HEAD SCREW	4				
215	1615 8043 00	SUPPORT AIRFILTER	1				
220	0147 1400 03	HEX. HEAD SCREW	4				
230	0333 3237 00	LOCK WASHER	2				
240	1615 8049 01	AIR FILTER	1				
		(For details see drawing on page 119)					
250	0347 6122 00	HOSE CLAMP	1				
255	1615 7933 00	ELBOW	1				
260	0347 6121 00	HOSE CLAMP	1				
264	1604 4580 00	HEAT SHIELD	1				
265	1615 8042 02	PIPE	1				
266	0147 1323 03	HEX. HEAD SCREW	2				
267	0301 2335 00	PLAIN WASHER	2				
268	0333 3227 00	LOCK WASHER	2				
269	0266 2110 00	HEXAGON NUT	2				
270	0099 9910 47	PLASTIC TUBE	AR				
275	0347 6108 00	HOSE CLAMP	2				
280	0347 6120 00	HOSE CLAMP	1				
285	1615 8058 00	ELBOW	1				
290	0347 6120 00	HOSE CLAMP	1				
295	1615 6960 00	NIPPLE	1				
300	1613 7912 01	INDICATOR	1				
360	1615 8393 00	OILPUMP	1				
362	0147 1326 03	HEX. HEAD SCREW	2				
364	0300 8019 00	PLAIN WASHER	2				
365	1615 8421 00	HOSE ASSEMBLY	1				
370	0661 1030 00	SEALING WASHER	1				
375	0686 3716 02	HEXAGON PLUG	1				
380	9000 0244 00	HOSE NIPPLE	2				
385	0347 6106 00	HOSE CLAMP	2				
400	1615 8974 01	SHIELD	1				
405	1619 2766 00	BOLT	2				
500	1615 8420 00	HOSE ASSEMBLY	1				
550	1615 8652 00	COOLANT LEVEL SENSOR	1				
600	1615 8655 00	V-BELT	1				



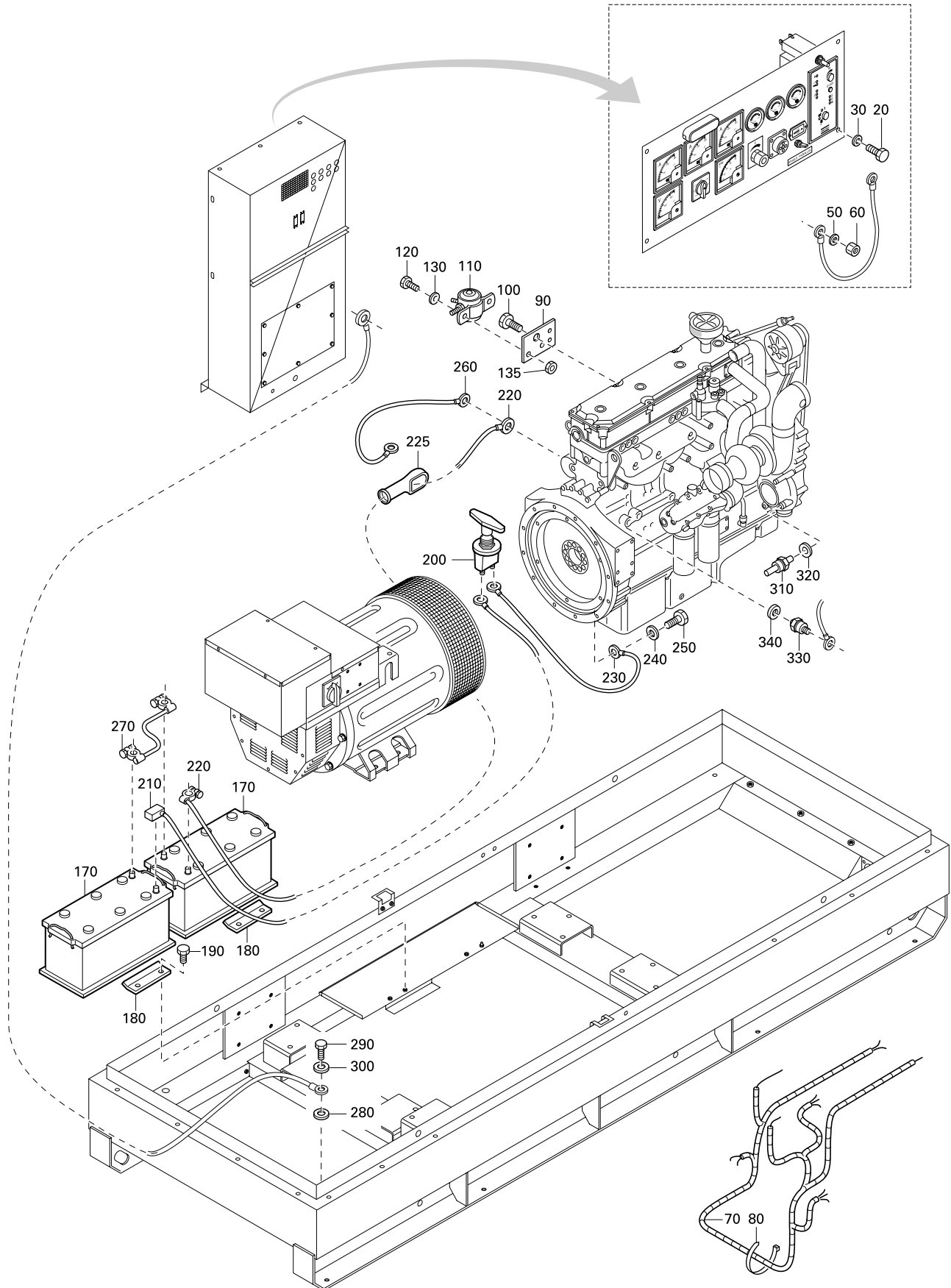
REF	PART NUMBER	DESIGNATION	QTY	REF	PART NUMBER	DESIGNATION	QTY
20	0144 4001 95	HEX.HEAD SCREW	12				
30	0144 3363 03	HEX. HEAD SCREW	8				



REF	PART NUMBER	DESIGNATION	QTY	REF	PART NUMBER	DESIGNATION	QTY
20	1615 8040 03	SUPPORT COOLER	1	275	1604 4115 00	COOLER	1
25	0147 1400 03	HEX. HEAD SCREW	4	280	1604 4113 00	PIPE	1
30	0301 2358 00	PLAIN WASHER	4	285	1604 4114 00	PIPE	1
60	1604 4110 00	PLATE	1	290	1615 8546 00	HOSE	4
65	1615 5664 00	SCRAPER BOLT	8	295	0347 6100 04	HOSE CLAMP	8
70	1604 4108 00	PLATE	1	300	0071 8402 90	FUEL HOSE	AR
80	1604 4109 00	PLATE	1	305	0347 6104 00	HOSE CLAMP	4
90	0147 1360 03	HEX. HEAD SCREW	14	310	0075 4005 61	HOSE	AR
92	0301 2344 00	PLAIN WASHER	14	315	0347 6110 00	HOSE CLAMP	2
94	0333 3232 00	LOCK WASHER	14	320	1604 4116 00	INTERCOOLER	1
100	1615 8069 00	FAN SPACER	1	325	1604 4111 00	PIPE	1
105	0144 4000 54	HEX. HEAD SCREW	6	330	1604 4112 00	PIPE	1
110	0301 2344 00	PLAIN WASHER	6	335	2252 4003 01	HOSE	4
115	1615 8321 00	FAN	1	340	0347 6100 23	HOSE CLAMP	8
120	0605 8505 04	BUSHING	2	345	1615 8545 00	ENG. BLEED LINE	1
125	1615 7072 00	VALVE	1	350	1604 3698 00	TOPTANK	1
130	0099 9910 29	PLASTIC TUBE	AR	355	1619 2766 00	BOLT	4
160	1615 7072 00	VALVE	1	360	1615 9589 00	NIPPLE	2
170	0099 9910 29	PLASTIC TUBE	AR	375	0099 9910 29	PLASTIC TUBE	AR
200	1604 4573 00	FAN GUARD	2				
205	1619 2766 00	BOLT	8				
260	1604 4122 01	FAN COWL	1				
265	1604 4123 01	PLATE	1				
270	1615 5664 00	SCRAPER BOLT	4				



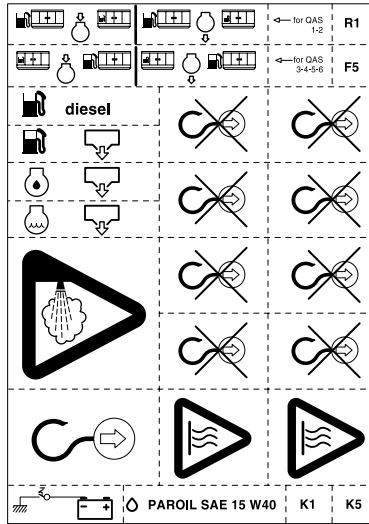
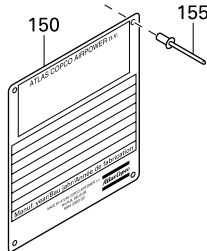
REF	PART NUMBER	DESIGNATION	QTY	REF	PART NUMBER	DESIGNATION	QTY
20	1604 4383 00	REAR PANEL	1	310	0301 2321 00	PLAIN WASHER	4
25	-	SILENCING FOAM	1	315	0291 1108 00	LOCKNUT	4
30	-	SILENCING FOAM	1	320	1615 8120 00	WINDOW	1
35	-	SILENCING FOAM	1	325	1615 7057 00	SEAL	AR
40	-	SILENCING FOAM	1	330	0301 2321 00	PLAIN WASHER	6
41	-	SILENCING FOAM	1	335	0266 2108 00	HEXAGON NUT	6
43	-	SILENCING FOAM	1	370	1615 8079 05	BAFFLE	1
45	1619 2766 00	BOLT	7	375	-	SILENCING FOAM	1
50	1615 8074 02	SERVICE DOOR	1	380	1619 2766 00	BOLT	4
52	1615 8920 02	BAFFLE	6	455	1619 2766 02	BOLT	4
53	0129 3175 00	BLIND RIVET	24	495	1619 2766 02	BOLT	6
55	-	SILENCING FOAM	1	530	1615 6972 01	FUNNEL	1
60	1619 2766 02	BOLT	8	532	1619 5188 00	SEAL	AR
65	1615 8065 02	BAFFLE	1	535	1604 2270 00	PLATE (FUNNEL)	1
70	-	SILENCING FOAM	1	540	1615 5664 00	SCRAPER BOLT	4
75	-	SILENCING FOAM	1	545	1604 0994 00	BRACKET	1
80	0333 3227 00	LOCK WASHER	7	546	0129 3175 00	BLIND RIVET	2
82	0301 2335 00	PLAIN WASHER	7	550	1615 6294 02	DOCUMENT HOLDER	1
85	0266 2110 00	HEXAGON NUT	7	555	1615 5556 00	RIVET	2
90	1615 8064 01	REAR PANEL LEFT	1	575	1615 7271 00	KEY	2
95	-	SILENCING FOAM	1	580	1088 1301 03	CABLE STRIP	1
100	1619 2766 00	BOLT	7				
110	1615 8066 01	FRONT PANEL RIGHT	1	-	1079 0003 32	FOAM PLAST. PERMANENT ADHESIVE 2000 mm x 1500 mm x 30 mm	
115	-	SILENCING FOAM	1				
116	-	SILENCING FOAM	1				
120	-	SILENCING FOAM	1				
125	1619 2766 00	BOLT	7				
140	1619 2766 02	BOLT	4				
142	1615 5685 01	HINGE (LH)	2				
144	1615 5684 00	BRACKET	2				
146	0216 1324 03	HEX SOCK. SCREW	8				
150	1615 8067 01	FRONT PANEL LEFT	1				
155	-	SILENCING FOAM	1				
160	-	SILENCING FOAM	1				
166	-	SILENCING FOAM	1				
167	-	SILENCING FOAM	2				
168	-	SILENCING FOAM	1				
170	1619 2766 00	BOLT	7				
180	1615 8052 01	DOOR	2				
185	-	SILENCING FOAM	2				
187	-	SILENCING FOAM	2				
190	1604 4317 00	SEAL	AR				
195	1615 5686 01	HINGE (RH)	4				
200	1615 5684 00	BRACKET	8				
205	0216 1324 03	HEX SOCK. SCREW	16				
230	1615 8051 02	DOOR	2				
235	-	SILENCING FOAM	2				
240	-	SILENCING FOAM	2				
245	1604 4317 00	SEAL	AR				
250	1615 5685 01	HINGE (LH)	4				
255	1615 5684 00	BRACKET	8				
260	0216 1324 03	HEX SOCK. SCREW	16				
265	1615 6967 03	HANDLE	4				
266	0301 2321 00	PLAIN WASHER	16				
270	0291 1108 00	LOCKNUT	16				
280	1615 8121 02	DOOR (CUBICLE)	1				
285	1202 6584 00	SEAL	AR				
290	1615 5685 01	HINGE (LH)	2				
295	1615 5684 00	BRACKET	4				
300	0216 1324 03	HEX SOCK. SCREW	8				
305	1615 6967 03	HANDLE	1				



REF	PART NUMBER	DESIGNATION	QTY	REF	PART NUMBER	DESIGNATION	QTY
20	0147 1322 03	HEX. HEAD SCREW	6				
30	0301 2335 00	PLAIN WASHER	6				
50	1088 0019 01	CONTACT WASHER	2				
60	0266 2110 00	HEXAGON NUT	2				
70	1615 8417 05	WIRE HARNESS	1				
80	1088 1301 03	CABLE STRIP	20				
90	1615 8085 01	SUPPORT	1				
100	0147 1359 03	HEX. HEAD SCREW	1				
110	1619 1891 00	START RELAY	1				
120	0147 1246 03	HEX. HEAD SCREW	2				
130	0333 3220 00	LOCK WASHER	4				
135	0266 2108 00	HEXAGON NUT	2				
170	3216 8777 00	BATTERY	2				
180	1615 6067 01	CLAMP	2				
190	1619 2766 00	BOLT	4				
200	1089 0584 01	BATTERY SWITCH	1				
210	1615 8125 00	BATTERY CABLE	1				
220	1615 8126 00	BATTERY CABLE	1				
225	1604 3329 00	PROTECTION CAP	1				
230	1615 8127 00	BATTERY CABLE	1				
240	1088 0019 03	CONTACT WASHER	1				
250	0147 1397 03	HEX. HEAD SCREW	1				
260	1615 8128 00	BATTERY CABLE	1				
270	1615 7557 00	BATTERY CABLE	1				
280	1088 0019 03	CONTACT WASHER	1				
290	0147 1322 03	HEX. HEAD SCREW	1				
300	0333 3227 00	LOCK WASHER	1				
310	1089 0567 12	TEMPERATURE SENSOR	1				
320	0605 8510 04	BUSHING	1				
330	1089 0565 13	OILPRESSURE SENSOR	1				
340	0605 8300 83	BUSHING	1				

Atlas Copco		
QAS 186 - QAS 246 QAS 306 - QAS 366		
SERVICE PAK		
	250 h	2912 4201 05
	500 h	2912 4202 06
	QAS 186 - QAS 246	2912 4202 06
	QAS 306 - QAS 366	2912 4204 06
	2000 h	2912 4203 07
QAS 186	2912 4206 07	
QAS 246	2912 4206 07	
QAS 306 - 366	2912 4205 07	
PAROIL SAE 15W40 (Engine oil)		
	5 L (1.3 US gal)	1615 5953 00
	20 L (5.2 US gal)	1615 5954 00
	208 L (55 US gal)	1615 5955 00

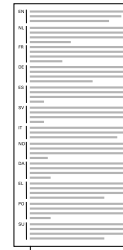
70



160



170

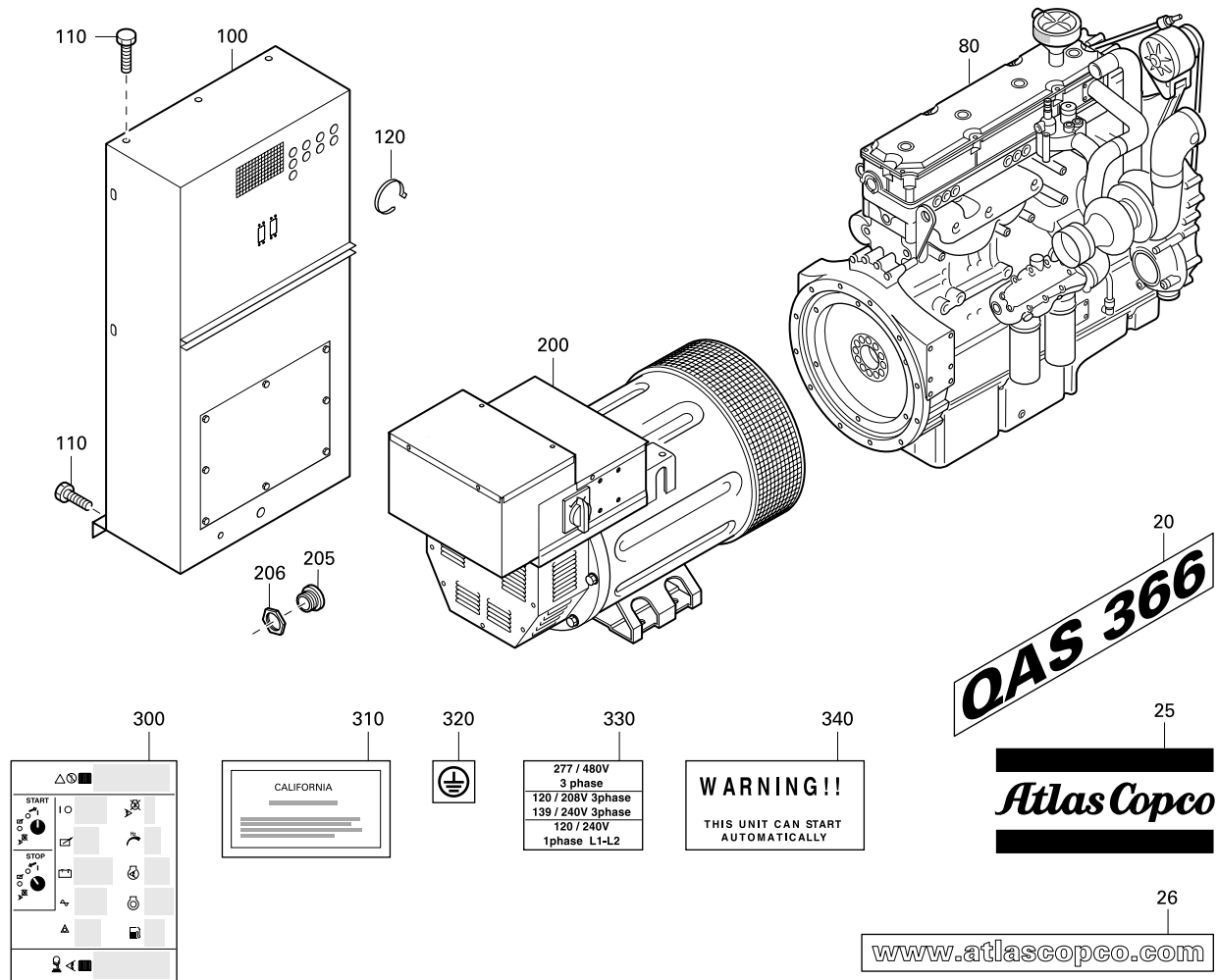


180

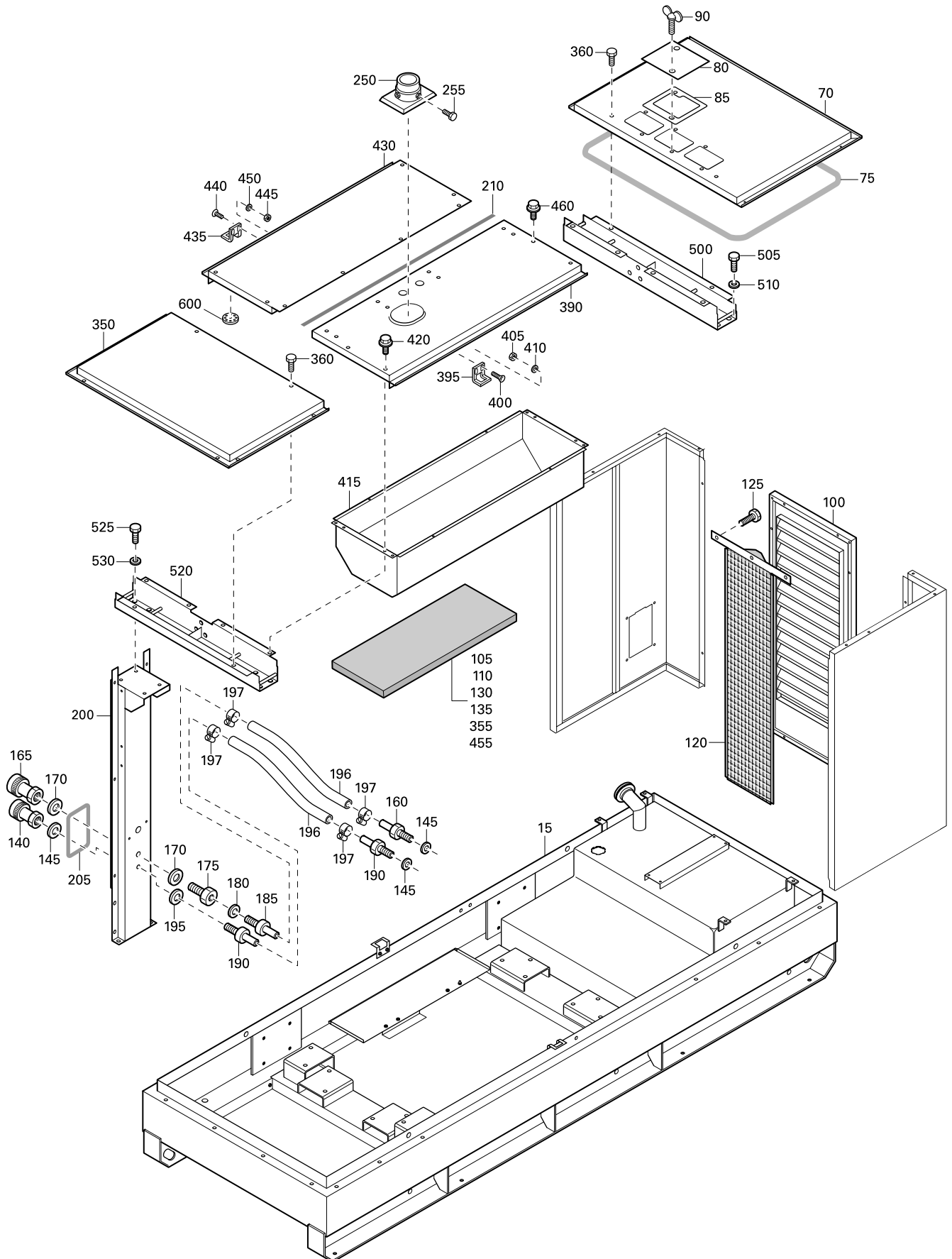


200

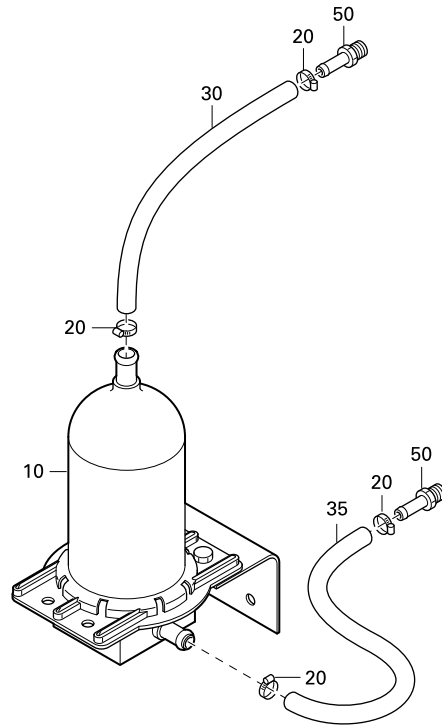
REF	PART NUMBER	DESIGNATION	QTY	REF	PART NUMBER	DESIGNATION	QTY
70	1079 9922 87	INFORMATION LABEL	1				
150	1604 3303 00	DATA PLATE	1				
155	0129 3270 35	BLIND RIVET	4				
160	1079 9901 87	LABEL	1				
170	1079 9902 38	INFORMATION LABEL	6				
180	1079 9905 41	INSTRUCTION LABEL	1				
200	1079 9903 61	LABEL	2				



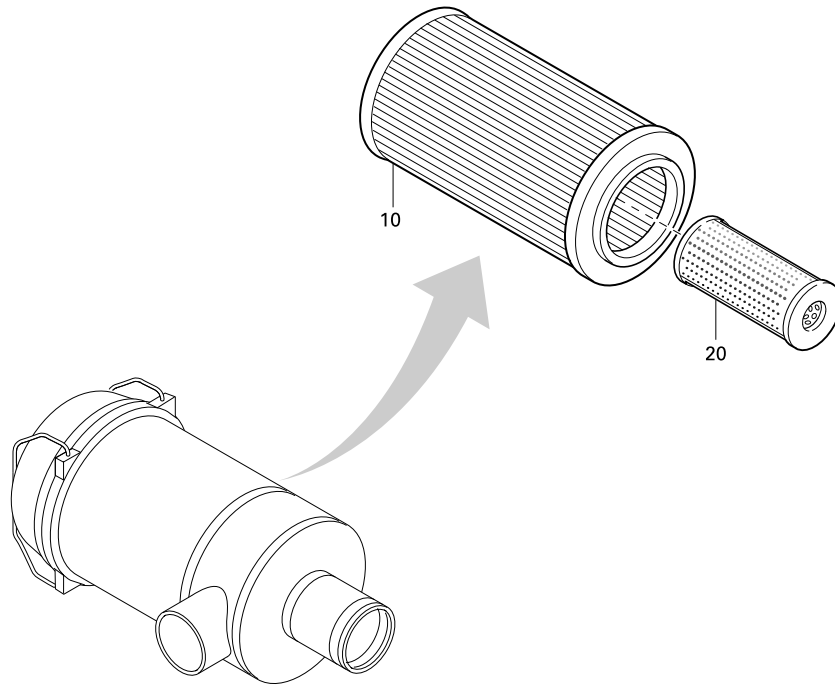
REF	PART NUMBER	DESIGNATION	QTY	REF	PART NUMBER	DESIGNATION	QTY
20	1604 4284 00	DECAL	2				
25	0690 1150 00	HOUSE MARK	4				
26	1079 9921 42	INFORMATION LABEL	1				
80	1604 4267 00	ENGINE (EPAII)	1				
100	1900 1015 72	CUBICLE	1				
		(For details see drawing on page 123)					
110	1619 2766 00	BOLT	10				
120	1088 1301 05	CABLE STRIP	4				
200	1604 1467 81	ALTERNATOR ASS'Y	1				
		(For details see drawing on page 99)					
205	1088 0524 06	PLUG	1				
206	1088 0302 06	NUT	1				
300	1079 9920 58	LABEL	1				
310	1079 9902 47	WARNING LABEL	1				
320	1079 9916 68	INFORMATION LABEL	1				
330	1079 9909 44	INFORMATION LABEL	1				
340	1079 9903 16	WARNING LABEL	1				



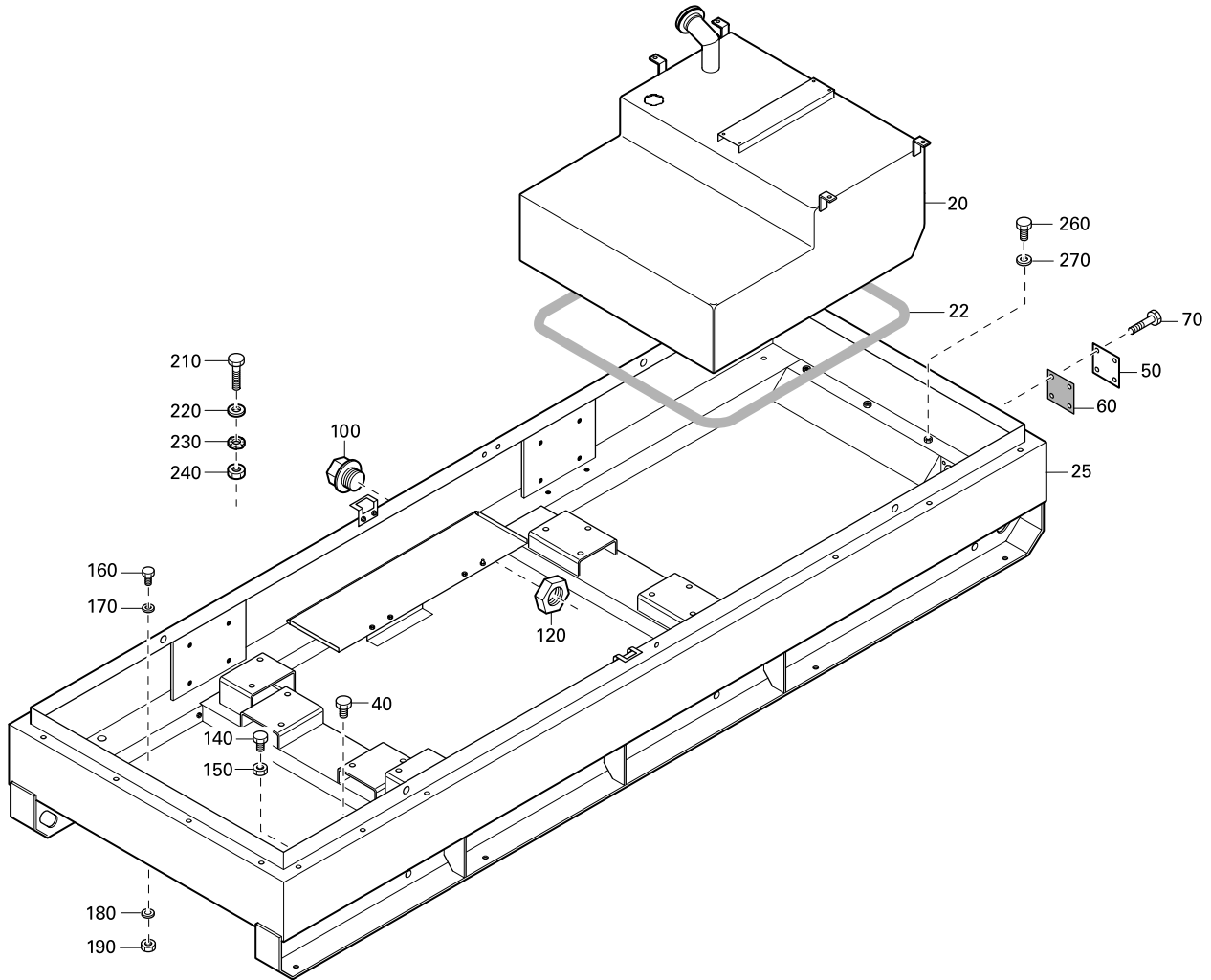
REF	PART NUMBER	DESIGNATION	QTY	REF	PART NUMBER	DESIGNATION	QTY
15	1615 9045 89	FRAME/FUELTANK (For details see drawing on page 120)	1				
70	1615 9664 05	ROOF	1				
75	1615 7057 00	SEAL	AR				
80	1615 9058 01	COVER	3				
85	1604 3296 00	SEAL	3				
90	0223 1957 11	WING SCREW	2				
100	1615 9063 03	SERVICE DOOR	1				
105	-	SILENCING FOAM	2				
110	-	SILENCING FOAM	2				
120	1615 9670 80	BAFFLE/FOAM (For details see drawing on page 121)	1				
125	1619 2766 00	BOLT	2				
130	-	SILENCING FOAM	1				
135	-	SILENCING FOAM	1				
140	1615 8744 01	QUICK COUPLING	1				
145	0653 1124 00	FLAT GASKET	3				
160	0571 0020 15	HOSE NIPPLE	1				
165	1615 8745 01	QUICK COUPLING	1				
170	0653 1165 00	FLAT GASKET	2				
175	0605 8700 37	BUSHING	1				
180	0653 1124 00	FLAT GASKET	1				
185	0571 0020 15	HOSE NIPPLE	1				
190	0571 0020 15	HOSE NIPPLE	2				
195	0653 1124 00	FLAT GASKET	2				
196	0071 8402 90	FUEL HOSE	AR				
197	0347 6103 00	HOSE CLAMP	4				
200	1604 0993 01	LIFTING SUPPORT	1				
205	1503 1056 00	SEAL	AR				
210	0030 6001 02	SEAL	AR				
250	1604 1409 00	RAIN CAP	1				
255	1619 2766 00	BOLT	3				
350	1604 1410 03	ROOF (REAR)	1				
355	-	SILENCING FOAM	2				
360	1619 2766 00	BOLT	12				
390	1604 1411 02	ROOF	1				
395	1615 8572 00	HOOK	1				
400	0216 1324 03	HEX SOCK. SCREW	2				
405	0266 2110 00	HEXAGON NUT	2				
410	0333 3227 00	LOCK WASHER	2				
415	1615 8050 03	BOX	1				
420	1615 5664 00	SCRAPER BOLT	8				
430	1604 1412 03	ROOF	1				
435	1615 8572 00	HOOK	1				
440	0216 1324 03	HEX SOCK. SCREW	2				
445	0266 2110 00	HEXAGON NUT	2				
450	0333 3227 00	LOCK WASHER	2				
455	-	SILENCING FOAM	1				
460	1615 5664 00	SCRAPER BOLT	8				
500	1604 1491 00	LIFTING BEAM	1				
505	0147 1400 03	HEX. HEAD SCREW	8				
510	0301 2358 00	PLAIN WASHER	8				
520	1604 1491 00	LIFTING BEAM	1				
525	0147 1400 03	HEX. HEAD SCREW	8				
530	0301 2358 00	PLAIN WASHER	8				
600	1615 7884 00	CLIP	17				
-	1079 0003 32	FOAM PLAST. PERMANENT ADHESIVE 2000 mm x 1500 mm x 30 mm					



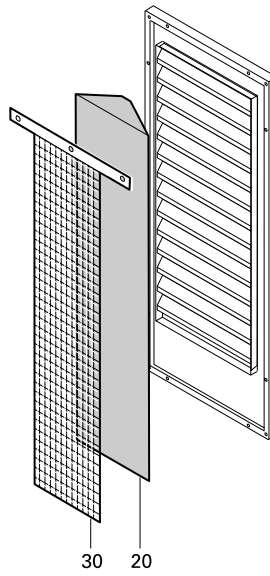
REF	PART NUMBER	DESIGNATION	QTY	REF	PART NUMBER	DESIGNATION	QTY
10	1089 9403 02	COOLANT HEATER	1				
20	0347 6105 00	HOSE CLAMP	4				
30	0071 8403 16	RUBBER HOSE	AR				
35	0071 8403 16	RUBBER HOSE	AR				
50	9000 0244 00	HOSE NIPPLE	2				



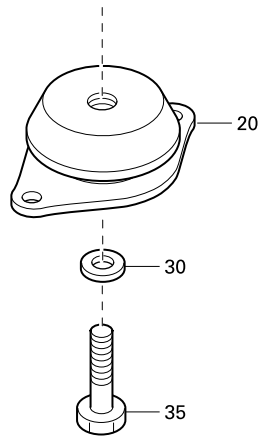
REF	PART NUMBER	DESIGNATION	QTY	REF	PART NUMBER	DESIGNATION	QTY
-	1615 8049 01	AIR FILTER Item of list on page 107					
• 10	2914 5010 00	MAIN FILTER ELEMENT	1				
• 20	2914 5011 00	SAFETY FILTER ELEMENT	1				



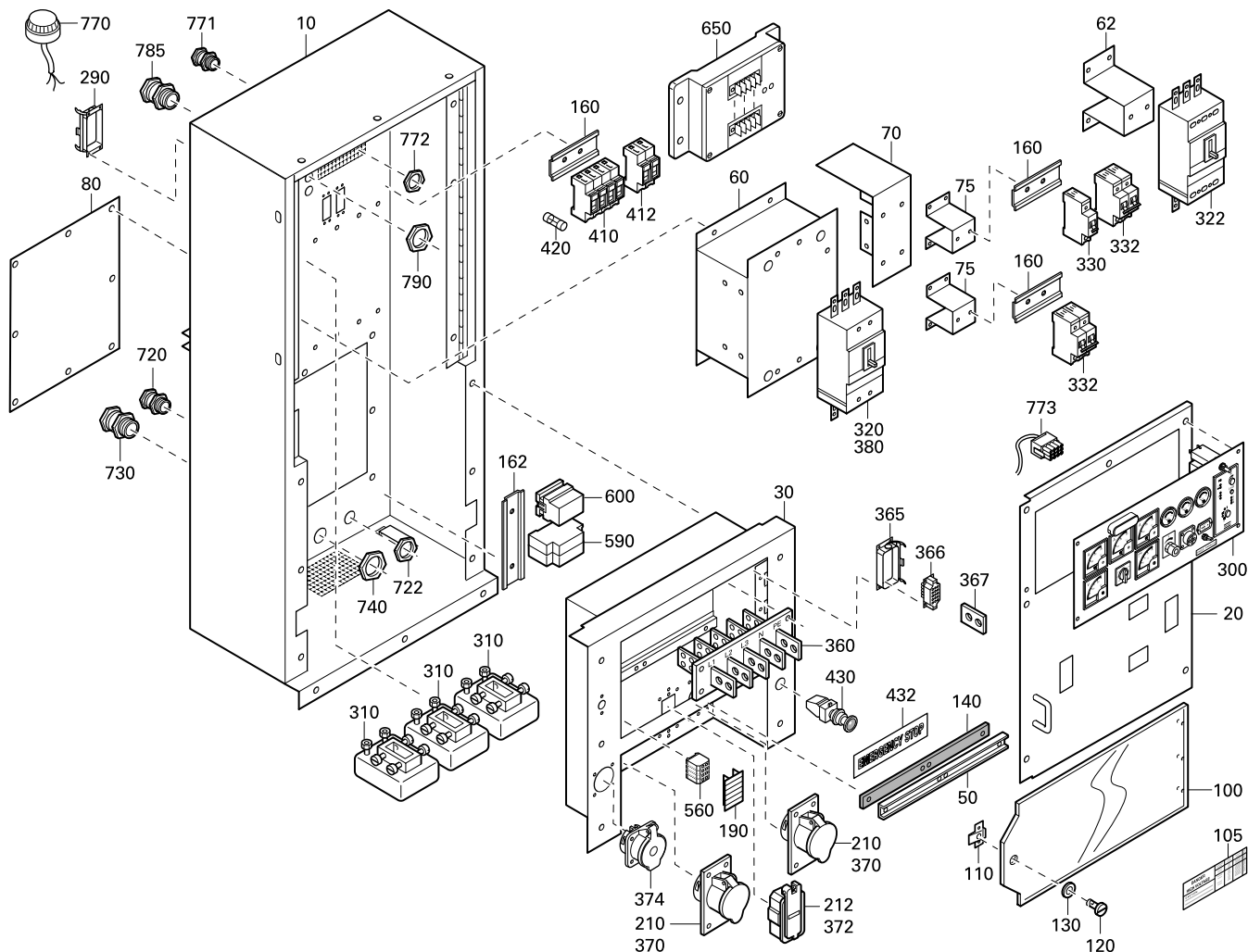
REF	PART NUMBER	DESIGNATION	QTY	REF	PART NUMBER	DESIGNATION	QTY
-	1615 9045 89	FRAME/FUEL TANK					
		Item of list on page 117					
• 20	1604 2105 80	FUEL TANK ASS'Y (For details see drawing on page 100)	1				
• 22	1619 5188 00	SEAL	AR				
• 25	1615 9045 04	FRAME	1				
• 40	0686 6132 00	PLUG	3				
• 50	1604 3315 00	PLATE	1				
• 60	1604 3316 00	SEAL	1				
• 70	1619 2766 00	BOLT	4				
• 100	0686 3716 29	HEXAGON PLUG	1				
• 120	0623 2100 09	BACKNUT	1				
• 140	1088 0524 02	PLUG	2				
• 150	0697 9809 01	NUT	2				
• 160	0160 6040 00	SLOTTED SCREW	2				
• 170	0653 1003 00	FLAT GASKET	2				
• 180	0333 3214 00	LOCK WASHER	2				
• 190	0266 2106 00	HEXAGON NUT	2				
• 210	0147 1322 03	HEX. HEAD SCREW	6				
• 220	0653 1033 00	FLAT GASKET	6				
• 230	0333 3227 00	LOCK WASHER	6				
• 240	0266 2110 00	HEXAGON NUT	6				
• 260	0147 1401 03	HEX. HEAD SCREW	2				
• 270	0653 1059 00	FLAT GASKET	2				



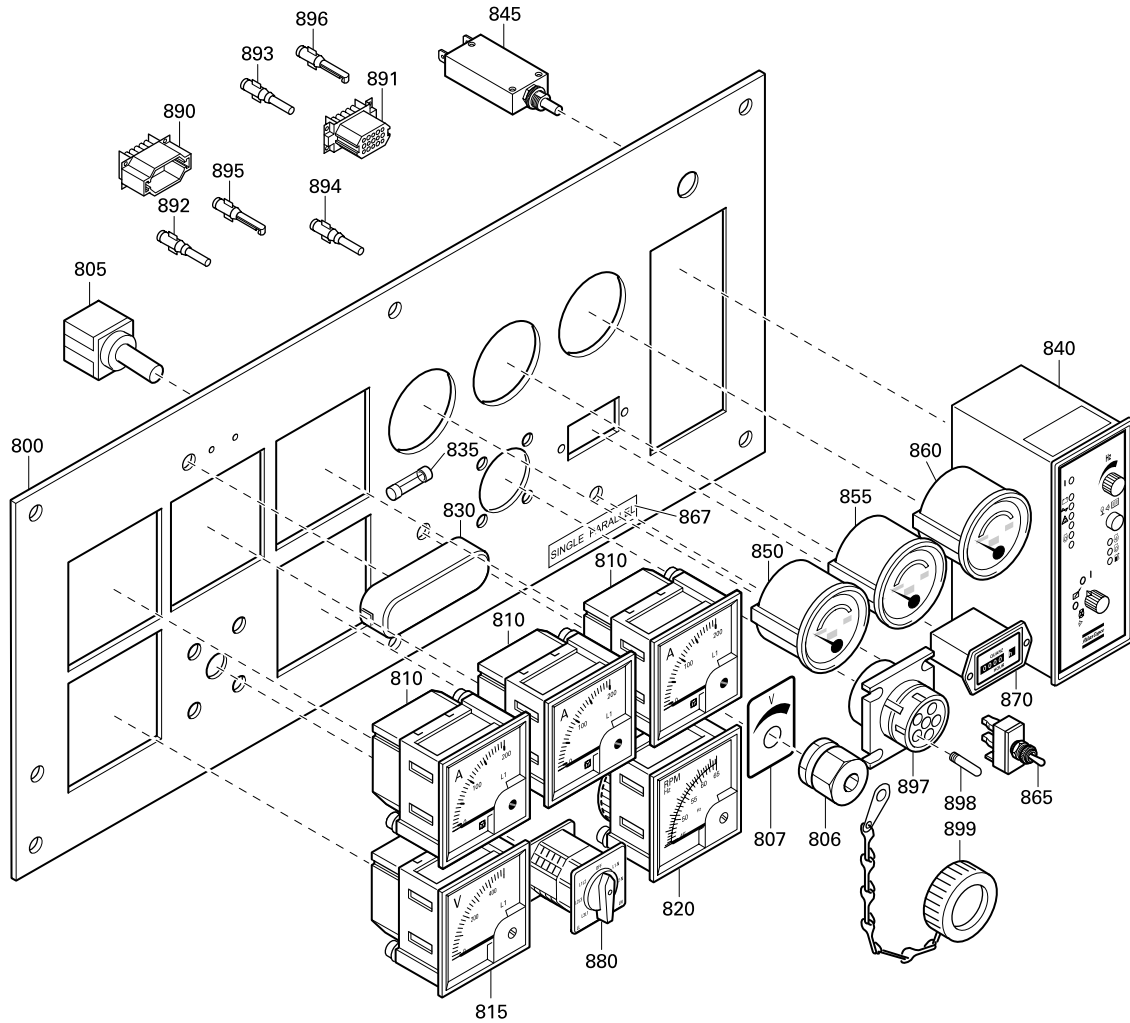
REF	PART NUMBER	DESIGNATION	QTY	REF	PART NUMBER	DESIGNATION	QTY
-	1615 9670 80	BAFFLE/FOAM Item of list on page 117					
•	20	-	2				
•	30	1615 9669 00	1				
-	1079 0003 32	FOAM PLAST. PERMANENT ADHESIVE 2000 mm x 1500 mm x 30 mm					



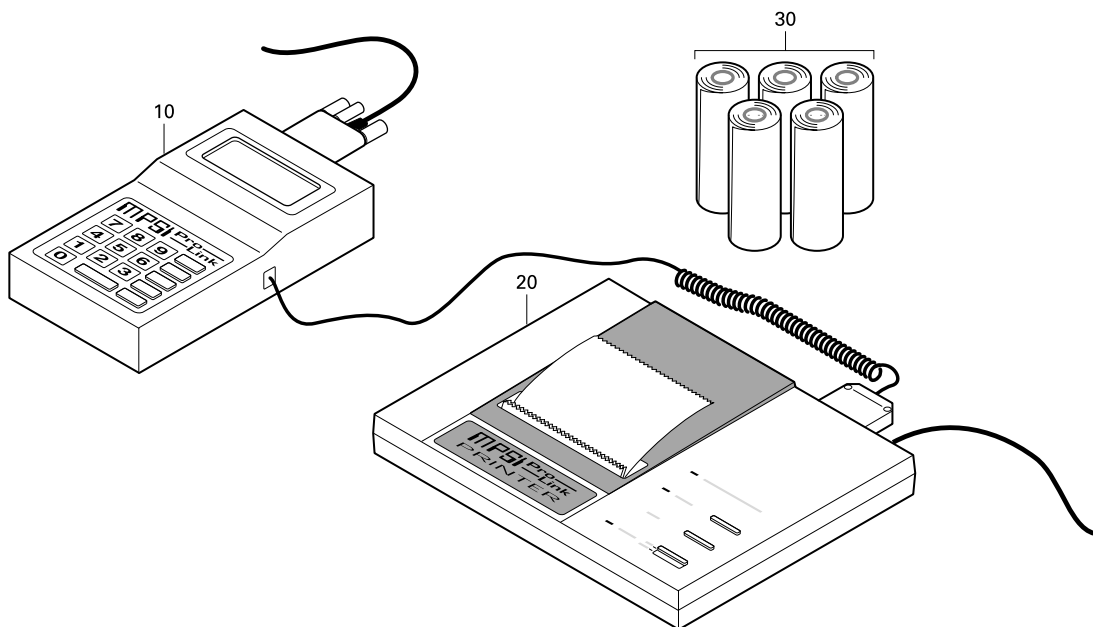
REF	PART NUMBER	DESIGNATION	QTY	REF	PART NUMBER	DESIGNATION	QTY
-	1619 5318 81	BUFFER ASS'Y Item of list on page 103					
• 20	1619 5318 01	RUBBER BUFFER	1				
• 30	0301 2378 00	PLAIN WASHER	1				
• 35	0147 1483 03	HEX. HEAD SCREW	1				



REF	PART NUMBER	DESIGNATION	QTY	REF	PART NUMBER	DESIGNATION	QTY
-	1900 1015 72	CUBICLE ASS'Y		• 360	1604 0983 81	TERMINAL BOARD	1
		Item of list on page 115				(For details see drawing on page 98)	
• 10	1604 1296 03	CUBICLE	1	• 365	1088 0029 50	HOUSING	1
• 20	1604 1921 00	C.B.PANEL	1	• 366	1088 0029 46	FEMALE INSERT	1
• 30	1615 9316 04	T.B. PANEL	1	• 367	1089 0651 05	TERMINAL	5
• 50	1604 2010 00	CABLE CLAMP	1	• 370	1089 9412 02	RECEPTACLE	2
• 60	1604 1927 01	C.B.SUPPORT	1	• 372	1089 9412 01	RECEPTACLE	1
• 62	1604 1922 00	C.B.SUPPORT	1	• 374	1089 9434 01	PLUG KIT	1
• 70	1604 1923 00	SUPPORT	1	• 380	1089 9474 41	SHUNT TRIP COIL	1
• 75	1604 1917 00	SUPPORT	2	• 410	1089 9356 11	FUSE HOLDER	1
• 80	1615 8110 01	SERVICE PLATE	1	• 412	1089 9356 13	FUSE HOLDER	2
• 100	1615 8109 01	DOOR	1	• 420	1089 9332 01	FUSE	5
• 105	1604 1443 00	WARNING LABEL	1	• 430	1089 9422 01	EMERGENCY STOP	1
• 110	1615 6728 00	PLATE	1	• 432	1079 9910 05	INFO LABEL	0
• 120	1615 7166 00	STUD	1	• 560	1088 0027 02	TERMINAL	4
• 130	1615 6727 00	WASHER	1	• 590	1089 9384 01	AUXILIARY RELAY	2
• 140	1604 2011 00	SEAL	1	• 600	1089 9400 08	CONTACTOR	1
• 160	0090 1400 02	RAIL	AR	• 650	1615 9478 05	SPEED SWITCH	1
• 162	0090 1400 02	RAIL	AR	• 720	1088 0256 16	CABLE GLAND	1
• 190	1088 0027 01	COVER PLATE	6	• 722	1088 0302 06	NUT	1
• 210	1089 9412 12	PROTECTION COVER	2	• 730	0698 5121 00	CABLE GLAND	1
• 212	1089 9412 11	PROTECTION COVER	1	• 740	0697 9807 00	NUT	1
• 290	1088 0029 50	HOUSING	2	• 770	1089 9429 01	FLASH LIGHT	1
• 300	1900 1015 90	CONTROL PANEL	1	• 771	0698 5140 43	CABLE GLAND	1
		(For details see drawing on page 124)		• 772	0697 9809 01	NUT	1
• 310	1089 9470 01	CURRENT TRANSFO	3	• 773	1089 9457 05	CONNECTOR	1
• 320	1089 9474 13	CIRCUIT BREAKER	1	• 785	0698 5125 00	CABLE GLAND	18
• 322	1089 9474 26	CIRCUIT BREAKER	1	• 790	0697 9807 00	NUT	18
• 330	1089 9472 21	CIRCUIT BREAKER	1				
• 332	1089 9472 25	CIRCUIT BREAKER	2				

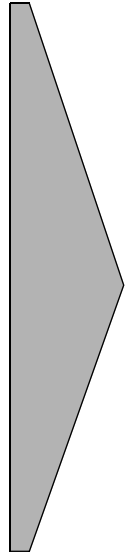


REF	PART NUMBER	DESIGNATION	QTY	REF	PART NUMBER	DESIGNATION	QTY
-	1900 1015 90	CONTROL PANEL		• 899	1089 9386 11	CAP	1
		Item of list on page 123					
• 800	1615 8113 03	CONTROL PANEL	1				
• 805	1089 9371 20	POTMETER	1				
• 806	1089 9371 50	SPINDLE LOCK	2				
• 807	1079 9909 20	LABEL	1				
• 810	1089 9381 21	AMPERE METER	3				
• 815	1089 9383 01	VOLTMETER	1				
• 820	1089 9382 12	FREQUENCY METER	1				
• 830	1089 9354 01	PANELLIGHT	1				
• 835	1619 1609 00	BULB	1				
• 840	1089 9455 48	MODULE	1				
		(For details see drawing on page 97)					
• 845	1089 9423 01	CIRCUIT BREAKER	1				
• 850	1089 0630 22	TEMPERATURE GAUGE	1				
• 855	1089 0565 27	PRESSURE GAUGE	1				
• 860	1089 0631 02	FUEL GAUGE	1				
• 865	1089 9051 21	SWITCH	1				
• 867	1079 9920 43	LABEL	1				
• 870	1089 9420 01	HOURMETER	1				
• 880	1089 9082 22	VOLTAGE SWITCH	1				
• 890	1088 0029 45	MALE INSERT	1				
• 891	1088 0029 46	FEMALE INSERT	1				
• 892	1088 0029 57	MALE CONTACT	4				
• 893	1088 0029 61	MALE CONTACT	4				
• 894	1088 0029 56	MALE CONTACT	7				
• 895	1088 0029 63	FEMALE CONTACT	11				
• 896	1088 0029 58	FEMALE CONTACT	15				
• 897	1089 9386 01	CONNECTOR	1				
• 898	1089 9386 21	TERMINAL PIN	4				



REF	PART NUMBER	DESIGNATION	QTY	REF	PART NUMBER	DESIGNATION	QTY
10	2913 0007 00	DDEC READER	1				
20	2913 0008 00	DDEC PRINTER (220 V)	1				
	2913 0009 00	DDEC PRINTER (110 V)	1				
30	2913 0010 00	PRINTER PAPER (5 ROLL)	1				

Glossary
Glossaire
Glosario
Glossário



ENGLISH	NEDERLANDS	FRANCAIS	DEUTSCH	ESPAÑOL	SVENSKA	ITALIANO
A						
ABSORBER	ABSORBER	AMORTISSEUR	DÄMPFER	AMORTIGUADOR	DÄMPARE	AMMORTIZZATORE
ABUTMENT BLOCK	BEGRENZINGSBLOK	BLOC DE BUTEE	STOSSBLOCK	BLOQUE DE TOPE	STÖTBLOCK	BLOCCO DI APOGGIO
AC AMMETER	WISSELSTROOMAMPÈREMETER	AMPEREMETRE CA	AC-AMPEREMETER	AMPERÍMETRO CA	AMPEREMETER VÄXELSTRÖM	AMPEROMETRO CA
AC TERMINAL	WISSELSTROOMKLEM	BORNE CA	AC-ANSCHLUSS	TERMINAL CA	KOPPLING VÄXELSTRÖM	TERMINALE CA
AC VOLTMETER	WISSELSTROOMVOLTMEETER	VOLTMETRE CA	AC-SPANNUNGSMESSEUR	VOLTÍMETRO CA	SPÄNNINGSMÄTARE VÄXELSTRÖM	VOLTMETRO CA
ACTIVATED ALUMINIUM	GEACTIVEERD ALUMINIUM	ALUMINIUM ACTIVE	ALUMINIUMS ALUM.	ALÚMINA ACTIVADA	AKTIVERAT ALUM.	ALLUMINIO ATTIVATO
ACTUATING CYLINDER	BEWEGINGSZYLINDER	VERIN D'ACTIVATION	BETÄTIGUNGSSZYLINDER	CILINDRO ACCIONADOR	MANÖVERCYLINDER	CILINDRO DI AZIONAMENTO
ACTUATING UNIT	BEWEGINGSEENHEID	UNITE D'ACTIVATION	BETÄTIGUNGSEINHEIT	UNIDAD ACCIONADORA	MANÖVERENHET	UNITÀ DI AZIONAMENTO
ACTUATOR	BEWEGINGSEENHEID	ACTIVATEUR	STELLGLIED	ACCIONADOR	MANÖVERORGAN	DISPOSITIVO DI AZIONAMENTO
ADAPTER	VERBINDINGSSTUK	ADAPTATEUR	ZWISCHENSTÜCK	ADAPTADOR	ADAPTER	ADATTATORE
ADAPTER FLANGE	VERBINDINGSFLENS	BRIDE D'ADAPTATION	BRIDE D'ADAPTATION	VERB. FLANSCH	ANPASSINGSFLÄNS	FLANGIA DELL'ADATTATORE
ADJUSTING BOLT	STELBOUT	BOULON DE REGLAGE	STELLBOLZEN	PERNO DE AJUSTE	JUSTERSKRUV	BULLONE DI REGOLAZIONE
ADJUSTING FORK	STELVORK	FOURCHE DE REGLAGE	STELLGABEL	HORQUILLA DE AJUSTE	JUSTERGAFFEL	FORCELLA DI REGOLAZIONE
ADJUSTING NUT	STELMOER	ECROU DE REGLAGE	STELLMÜTTER	TUERCA DE AJUSTE	JUSTERMUTTER	DADO DI REGOLAZIONE
ADJUSTING SCREW	STELSCHROEF	VIS DE REGLAGE	STELLSCHRAUBE	TORNILLO DE AJUSTE	JUSTERSKRUV	VITE DI REGOLAZIONE
AFTER-COOLER	NAKOELEER	REFROIDISSEUR FINAL	NACHKÜHLER	REFRIGERADOR FINAL	EFTERKYLARE	REFRIGERATORE FINALE
AIR BLOWER	LUCHTBLAZER	SOUFFLANT D'AIR	LUFTGEBLÄSE	VENTILADOR	UTBLÄSNINGSFLÄKT	SOFFIANTE
AIR BOX	LUCHTTANK	RESERVOIR D'AIR	LUFTBEHÄLTER	COLECTOR DE BARRIDO	LUFTBEHÄLLARE	SCATOLA DELL'ARIA
AIR CAP	LUCHTKAP	COUVERCLE D'AIR	LUFTABDECKUNG	VÁLVULA DE AIRE	LUFTMUNSTYCKE	TAPPO DELL'ARIA
AIR CLEANER	LUCHTREINIGER	EPURATEUR D'AIR	LUFTREINIGER	DEPURADOR DE AIRE	LUFTRENARE	FILTRO PER L'ARIA
AIR CONDUIT	LUCHTLEIDING	CONDUITE D'AIR	LUFTLEITUNG	CONDUCTO DE AIRE	LUFTLEDNING	CONDOTTO DELL'ARIA
AIR COOLER	LUCHTKOELEER	REFROIDISSEUR A AIR	LUFTKÜHLER	REFRIGERADOR DE AIRE	LUFTKYLARE	REFRIGERATORE DELL'ARIA
AIR DUCT	LUCHTKOKER	CONDUITE D'AIR	LUFTKANAL	CONDUCTO DE AIRE	LUFTKANAL	CONDOTTO DELL'ARIA
AIR FILTER	LUCHTFILTER	FILTRE A AIR	FILTR	FILTRO DE AIRE	LUFTFILTER	FILTRO PER L'ARIA
AIR FILTER ELEMENT	LUCHTFILTERELEMENT	ELEMENT DE FILTRE A AIR	LUFTFILTERELEMENT	ELEM. DEL FILTRO DE AIRE	LUFTFILTERELEMENT	ELEMENTO DEL FILTRO DELL'ARIA
AIR HOSE	LUCHTSLANG	FLEXIBLE D'AIR	LUFTSCHLAUCH	MANGUERA DE AIRE	LUFTSLANG	MANICA D'ARIA
AIR INLET	LUCHTINLAAT	ENTREE D'AIR	LUFTINLAASS	ENTRADA DE AIRE	LUFTINTAG	PRESA D'ARIA
AIR INLET BOX	LUCHTINLAATKAST	BOITE D'ENTREE D'AIR	LUFTINLAASSBEHÄLTER	CAJA DE ENTRADA DE AIRE	LUFTINLOPPSSKÅP	SCATOLA DELLA PRESA D'ARIA
AIR INLET VALVE	LUCHTINLAATKLEP	VALVE D'ENTREE D'AIR	LUFTINLAASSVENTIL	VÁLV. ENTRADA AIRE	LUFTINLOPPSSVENTIL	VALVOLA DI PRESA D'ARIA
AIR INTAKE PIPE	LUCHTINLAATLEIDING	TUYAU DE PRISE D'AIR	LUFTINLAASSROHR	TUBERÍA DE TOMA DE AIRE	LUFTINLOPPSRÖR	TUBO DELLA PRESA D'ARIA
AIR PIPE	LUCHTLEIDING	TUYAU D'AIR	LUFTLEITUNGSRÖHR	TUBO DE AIRE	LUFTRÖR	TUBO DELL'ARIA
AIR RECEIVER	LUCHTKETTEL	RESERVOIR D'AIR	LUFTBEHÄLTER	DEPÓSITO DE AIRE	LUFTBEHÄLLARE	SERBATOIO D'ARIA
AIR STARTER	PNEUMATISCHE STARTER	DEMARREUR PNEUMATIQUE	DRUCKLUFT-ANLASSER	ARRANCADOR NEUM.	LUFTSTARTARE	AVVIATORE PNEUMATICO
AIR VALVE	LUCHTKLEP	VANNE D'AIR, CLAPET A AIR	LUFTVENTIL	VÁLVULA DE AIRE	LUFTVENTIL	VALVOLA DELL'ARIA
ALARM UNIT	ALARMTOESTEL	DISPOSITIF D'ALARME	ALARMAPPARAT	DISP. DE ALARMA	ALARMHET	DISPOSITIVO DI ALLARME
ALTERNATOR	ALTERNATOR	ALTERNATEUR	WECHSELSTROMGENERATOR	ALTERNADOR	VÄXELSTRÖMGEN.	ALTERNATORE
ALTERNATOR CABLE	ALTERNATORKABEL	CABLE D'ALTERNATEUR	WECHSELSTROMGENERATORKABEL	CABLE DEL ALTERNADOR	OMFORMARKABEL	CAVO ALTERNATORE
AMMETER	AMPÈREMETER	AMPÈREMÈTRE	AMPÈREMETER	AMPERÍMETRO	AMPEREMETER	AMPEROMETRO
AMMETER SWITCH	AMPÈREMETERSCHAKELAAR	INTERRUPTEUR AMPÈREMÈTRE	AMPÈREMETERSCHALTER	INTERRUPRIDELAMPÈRÍMETRO	BRYTARE AMPÈREMETER	INTERRUTTOREDELL'AMPÈROMETRO
AMPLIFIER	VERSTERKER	AMPLIFICATEUR	VERSTÄRKER	AMPLIFICADOR	AMPLIFIKATOR	AMPLIFICATORE
ANCHOR PAD	ANKERPLAAT	PLAQUE D'ANCRAGE	ANKERPLATTE	PLACA DE SUJECCIÓN	ANKARPLÅT	TAMPONE DI ANCORAGGIO
ANCHOR PLATE	ANKERPLAAT	PLAQUE D'ANCRAGE	ANKERPLATTE	PLACA DE ANCLAJE	ANKARPLÅT	PIASTRA DI ANCORAGGIO
ANGLE	HOEK	ANGLE	WINKEL	ÁNGULO	VINKEL	ANGOLO
ANTIFROST	ANTIVRIES	ANTIGEL	FROSTSCHUTZMITTEL	CONTRA HELADAS	FROSTSKYDD	ANTIGELO
ANTIVIBRATION PAD	TRILLINGSDEMPER	AMORTISSEUR ANTIVIBR.	VIBRATIONSDÄMPFER	AMORT. DE VIBR.	VIBRATIONSDÄMPARE	TAMPONE ANTIVIBRANTE
APPLIANCE INLET	INLAAT TOESTEL	ENTREE APPAREIL	GERÄTEANSCHLUSS	ENTRADA DEL APARATO	APPARATINLOPP	ENTRATA DELL'APPARECCHIO
ARM	ARM	BRAS	ARM	BRAZO	ARM	BRACCIO
ARMATURE	ANKER	INDUIT	ROTOR	CIRCUITO INDUCIDO	ANKARE	INDOTTO
ARMATURE COIL	ANKERSPOEL	BOBINE DE L'INDUIT	ANKERSPULE	BOB. DEL INDUCIDO	ANKARSPOLE	BOBINA DELL'INDOTTO
ARMATURE CORE	ANKERKERN	NOYAU DE L'INDUIT	ANKERKERN	NÚCLEO DEL INDUCIDO	ANKARKÄRNA	NUCLEO DELL'INDOTTO
ARRESTOR/SILENCOR	DOVER.GELUIDDEMPER	SILENCIEUX	FANGVORRICHTUNGSSCHALLDÄMPER	SUPRESOR.SILENCIADOR	SPÄRR/DÄMPARE	SCARICATORE / SILENZIATORE
ASSEMBLY KIT	MONTAGEKIT	KIT DE MONTAGE	MONTAGESATZ	EQUIPO DE MONTAJE	MONTERINGSATS	KIT PER IL MONTAGGIO
ASSEMBLY SET	MONTAGESET	JEU DE MONTAGE	MONTAGESATZ	JUEGO DE MONTAJE	MONTERINGSATS	SET PER IL MONTAGGIO
ASSEMBLY STRIP	BINDSTRIP	COLLIER, RACCORD	BINDSTREIFEN	TIRA DE ATAR	HOPSÄTTNINGSBAND	NASTRO PER IL MONTAGGIO
ASSEMBLY TOOL	MONTAGEGEREEDSCHAP	OUTIL DE MONTAGE	MONTAGEWERKZEUG	HERRAMIENTA DE MONTAJE	MONTERINGSVERKTYG	UTENSILE PER IL MONTAGGIO
AUTO OILER HOSE	SLANG AUTOM. OLJETOESTEL	FLEXIBLE HUILAGE AUTO	SCHLAUCH DES AUTO. ÖLERS	TUBO DELU.BRIBACIÓN PROPIA	AUTO OLJESLANG	TUBO FLES. DELL'OLIATORE.AUTOM.
AUTOMATIC	AUTOMATISCH	AUTOMATIQUE	AUTOMATISCH	AUTOMÁTICO	AUTOMATISK	AUTOMATICO
AUTOMATIC FUSE	ZELFUITSCHAKELAAR	COUPE-CIRCUIT AUTOMAT.	SICHERUNGSAUTOMAT	FUSIBLE AUTOMÁTICO	AUTOMATSÄKRING	FUSIBILE AUTOMATICO
AUXILIARY CONTACT	HULPCONTACT	CONTACT AUXILIAIRE	HILFSKONTAKT	CONTACTO AUXILIAR	HJÄLPKONTAKT	CONTATTO AUSILIARIO
AUXILIARY RELAY	HULPRELAIS	RELAIS AUXILIAIRE	ZUSÄTZLICHES RELAIS	RELÉ AUXILIAR	HJÄLPRELÄ	RELE' AUSILIARIO
AXLE	AS	ESSIEU	ACHSE	EJE	AXEL	ASSALE
AXLE BEAM	ASBALK	BARRE D'ESSIEU	ACHSTRÄGER	EJE DEL EJE	AXELBALK	TRAVE DELL'ASSALE
AXLE HOUSING	ASHUIS	CAGE D'ESSIEU	ACHSGEHÄUSE	CAJA DE EJE	AXELHUS	ALLOGGIAMENTO ASSALE
AXLE WITH BRAKES	AS MET REMMEN	ESSIEU AVEC FREINS	ACHSE MIT BREMSSEN	EJE CON ABRAZADERAS	AXEL MED BROMSAR	ASSALE CON FRENI
AXLE, FRONT	VOORAS	ESSIEU AVANT	VORDERACHSE	EJE DELANTERO	FRAMAXEL	ASSALE, ANTERIORE
AXLE, REAR	ACHTERAS	ESSIEU ARRIÈRE	HINTERACHSE	EJE TRASERO	BAKAXEL	ASSALE, POSTERIORE

B						
BACK NUT	DRAAGMOER	ECROU ARRIERE	HINTERE MUTTER	TUERCA POSTERIOR	BAKMUTTER	DADO POSTERIORE
BACK PLATE	STEUPLAAT	PLAQUE ARRIERE	HINTERE PLATTE	PLACA BASE	BAKPLÅT	PIASTRA POSTERIORE
BACK-UP RING	STEUNRING	ANNEAU D'APPUI	STÜTZRING	ANILLO DE RESPALDO	BÄRRING	ANELLO DI SCORTA
BACKING STRIP	STEUSTRIP	BANDE DE SUPPORT	UNTERLEGSTREIFEN	TIRA DE RESPALDO	BÄRREMSA	STRIP DI MARCIA INDIETRO
BAFFLE	KEERPLAAT	DEFLECTEUR	ABLENKPLATTE	DEFLECTOR	SKÄRMLÅT	DEFLETTORE
BAFFLE FRAME	SCHERMPLAAT	CHÂSSIS, ECRAN	SCHALLWAND	MARCO DEL DEFLECTOR	SKÄRMLÅT, RAM	SCHERMO
BALANCING PISTON	BALANSZUIGER	PISTON D'EQUILIBRAGE	AUSGLEICHKOLBEN	EMBOLO EQUILIBR.	BALANSKOLV	PISTONE DI BILANCIAMENTO
BALL	KOGEL	BILLE	KUGEL	BOLA	KULA	SFERA
BALL BEARING	KOGELLAGER	ROULEMENT A BILLES	KUGELLAGER	COINETE DE BOLAS	KULLAGER	CUSCINETTO A SFERE
BALL CAGE	KOGELKOOI	CAGE A BILLES	KUGELKÄFIG	CAJA DE BOLAS	KULHÄLLARE	GABBIA PER SFERE
BALL COUPLING	KOGELKOPPELING	ACCOUPEMENT SPHERIQUE	KUGELKUPPLUNG	ACOPL. DE BOLA	KULKOPPLING	ACCOPPIAMENTO SFERICO
BALL HANDGRIP	KOGELGREEP	POIGNEE A BILLE	KUGELGRIFF	MORDAZA MANUAL.DE BOLA	KULHANDTAG	IMPUGNATURA A SFERA
BALL JOINT	KOGELGEWICHT	ROTULE SPHERIQUE	KUGELGELENK	JUNTA DE BOLA	KULLED	GIUNTO SFERICO
BALL KNOB	KOGELKNOP	PIVOT SPHERIQUE	KUGELKNOPF	BOTÓN DE BOLA	KULKNOPP	MANOPOLA
BALL VALVE	KOGELKLEP	VANNE SPHERIQUE	KUGELVENTIL	VÁLVULA DE BOLA	KULVENTIL	VALVOLA A SFERA
BANJO	BANJOVERBINDING	RACCORD BANJO	BANJOVERBINDUNG	UNIÓN BANJO	BANJOANSLUTNING	RACCORDO ORIENTABILE
BARRIER	BEGRENZING	BARRIERE	SCHRANKE	BARRERA	SPÄRR	BARRIERA
BASE FRAME	GRONDRAMA	CHÂSSIS DE BASE	GRUNDRAHMEN	BASTIDOR DE BASE	BASRAM	TELAIO DI BASE
BASE PLATE	GRONDPLAAT	PLAQUE DE BASE	GRUNDPLATTE	PLACA DE BASE	BOTTENPLATTA	PIASTRA DI BASE
BATTERY	BATTERIJ	BATTERIE	BATTERIE	BATERÍA	BATTERIA	BATTERIA
BATTERY BOLT	BATTERIJBOUW	BOULON DE BATTERIE	BATTERIESCHRAUBE	PERNO DE LA BATERÍA	BATTERIBULT	VITE DI FISSAGGIO DELLA BATT.
BATTERY CABLE	BATTERIJKABEL	CÂBLE DE BATTERIE	BATTERIEKABEL	CABLE DE BATERÍA	BATTERIKABEL	CAVO BATTERIA
BATTERY CHARGER	BATTERIJ-OPLAADAPPARAAT	CHARGEUR DE BATTERIE	BATTERIEADEGERÄT	CARGADOR DE LA BATERÍA	BATTERILADDARE	CARICABATTERIA
BATTERY CLAMP	BATTERIJKLEM	ATTACHE DE BATTERIE	BATTERIEKLEMME	PINZA DE LA BATERÍA	BATTERIKLÄMMA	MORSETTO DELLA BATTERIA
BATTERY COVER	BATTERIJDIEKSEL	COUVERCLE DE BATTERIE	BATTERIEDECKEL	TAPA DE BATERÍA	BATTERIKÄPPA	COPERCHIO DELLA BATTERIA
BATTERY EQUALIZER	BATTERIJGELIJKRICHTER	EGALISATEUR DE BATTERIE	BATTERIEAUSGLEICHRICHTUNG	COMPENSADOR DE LA BATERÍA	BATTERIUTJÄMNARE	EQUILIBRATORE DELLA BATTERIA
BATTERY FRAME	BATTERIJFRAME	CHASSIS DE BATTERIE	BATTERIERAHMEN	MARCO DE LA BATERÍA	BATTERIRAM	TELAIO DELLA BATTERIA
BATTERY INDICATOR	BATTERIJVERKLIKKER	INDICATEUR DE BATTERIE	BATTERIEANZEIGE	INDICADOR DE BATERÍA	BATTERIINDIKATOR	INDICATORE DELLA BATTERIA
BATTERY RELAY	BATTERIJRELAIS	RELAIS DE BATTERIE	BATTERIERELAIS	RELÉ DE BATERÍA	BATTERIRELÄ	RELE' DELLA BATTERIA

ENGLISH	NORSK	DANSK	ΕΛΛΗΝΙΚΑ	PORTUGUÊS	SUOMI
---------	-------	-------	----------	-----------	-------

A					
ABSORBER	DEMPER	STØDDÆMPER	ΑΠΟΣΒΕΣΤΗΡΑΣ	ABSORVENTE	VAIMENNIN
ABUTMENT BLOCK	STØTBLØKK	STØTTEBLOK	ΣΩΜΑ ΑΚΡΟΒΑΘΡΟΥ	BLOCO DE SUPORTE	VASTE
AC AMMETER	VEKSELSTRØMAMPEREMETER	VEKSELSTRØMAMPEREMETER	ΑΜΠΕΡΟΜΕΤΡΟ AC	AMPERÍMETRO DE CA	AC-AMPEERIMITTARI
AC TERMINAL	VEKSELSTRØMSTERMINAL	VEKSELSTRØMSTERMINAL	ΑΚΡΟΑΕΚΤΗΣ AC	TERMINAL DE CA	AC-LIITIN
AC VOLTMETER	VEKSELSTRØMSVOLTMETTER	VEKSELSTRØMSVOLTMETTER	ΒΟΛΤΜΕΤΡΟ AC	VOLTMETRO DE CA	AC-VOLTIMITTARI
ACTIVATED ALUMINIUM	AKTIVERT ALUM.	AKTIVERT ALUMINIUM	ΕΝΕΡΓΟΠΟΙΗΜΕΝΗ ΣΥΓΓΥΗΤΗΡΙΑ	ALUMÍNIO ACTIVADO	AKTIVOITU ALUMIINI
ACTUATING CYLINDER	ARBEIDSSYLINDER	AKTUATORCYLINDER	ΚΥΛΙΝΔΡΟΣ ΕΝΕΡΓΟΠΟΙΗΣΗΣ	CILINDRO IMPULSIONADOR	TOIMISYLINTERI
ACTUATING UNIT	ARBEIDSENHET	AKTUATORENHED	ΜΟΝΑΔΑ ΕΝΕΡΓΟΠΟΙΗΣΗΣ	UNIDADE IMPULSIONADORA	TOIMYKSIKKÖ
ACTUATOR	AKTUATOR	AKTUATOR	ΕΝΕΡΓΟΠΟΙΗΤΗΣ	IMPULSIONADOR	TOIMYKSIKKÖ
ADAPTER	ADAPTER	ADAPTER	ΠΡΟΣΑΡΜΟΓΕΑΣ	ADAPTADOR	SOVITIN
ADAPTER FLANGE	TILPASSINGSFLENS	ADAPTERFLANGE	ΦΛΑΝΤΖΑ ΠΡΟΣΑΡΜΟΓΕΑΣ	FLANGE DE ADAPTAÇÃO	SOVITINLAIPPA
ADJUSTING BOLT	JUSTERINGSBOLT	JUSTERINGSBOLT	ΡΥΘΜΙΣΤΙΚΟΣ ΚΟΧΛΙΑΣ	PARAFUSO DE REGULAÇÃO	SÄÄTÖPULTTI
ADJUSTING FORK	JUSTERINGSGAFFEL	JUSTERINGSGAFFEL	ΡΥΘΜΙΣΤΙΚΗ ΠΕΡΟΝΗ	FORQUILHA DE REGULAÇÃO	SÄÄTÖHAARUKKA
ADJUSTING NUT	JUSTERINGSMUTTER	JUSTERINGSMØTRIK	ΡΥΘΜΙΣΤΙΚΟ ΠΕΡΙΚΟΧΑΙΟ	PORCA DE REGULAÇÃO	SÄÄTÖMUTTERI
ADJUSTING SCREW	JUSTERINGSKRUUE	JUSTERINGSKRUUE	ΡΥΘΜΙΣΤΙΚΟΣ ΚΟΧΛΙΑΣ	PARAFUSO DE AFINAÇÃO	SÄÄTÖRUVVI
AFTERCOOLER	ETTERKJØLER	EFTERKØLER	ΜΕΤΑΨΥΚΤΗΣ	PERMUTADOR DE CALOR	JÄLKJÄÄHDYTIM
AIR BLOWER	LUFTVIFTE	VENTILATOR	ΦΥΣΗΤΗΡΑΣ ΑΕΡΑ	INSUFLADOR	PUHALLIN
AIR BOX	LUFTBOKS	LUFTBEHOLDER	ΑΕΡΟΦΥΛΑΚΙΟ	CAIXA DE AR	ILMASÄILIÖ
AIR CAP	LUFTDEKSEL	VENTILATORHÆTTE	ΚΑΠΑΚΙ ΑΕΡΑ	TAMPA DA CAIXA DE AR	SULKUTULPPA
AIR CLEANER	LUFTRENSER	LUFTRENSER	ΚΑΘΑΡΣΤΗΡΑΣ ΑΕΡΑ	PURIFICADOR DE AR	ILMANPUHDISTIN
AIR CONDUIT	LUFTKRETS	LUFTKANAL	ΑΕΡΑΓΩΓΟΣ	TUBO DE AR	ILMAPUTKI
AIR COOLER	LUFTKJØLER	LUFTKØLER	ΨΥΚΤΗΣ ΑΕΡΑ	REFRIGERADOR DE AR	ILMANJÄÄHDYTIM
AIR DUCT	LUFTKANAL	LUFTKANAL	ΑΕΡΑΓΩΓΟΣ	CONDUTA DE AR	ILMAKANAVA
AIR FILTER	LUFTFILTER	LUFTFILTER	ΦΙΛΤΡΟ ΑΕΡΑ	FILTRO DE AR	ILMANSUODATIN
AIR FILTER ELEMENT	LUFTFILTERELEMENT	LUFTFILTERELEMENT	ΣΤΟΙΧΕΙΟ ΦΙΛΤΡΟΥ ΑΕΡΑ	ELEMENTO DE FILTRO DE AR	ILMANSUODATTIMEN PATRUUNA
AIR HOSE	LUFTSLANGE	LUFTSLANGE	ΕΛΑΣΤΙΚΟΣ ΣΩΛΗΝΑΣ ΑΕΡΑ, ΣΩΛΗΝΑΚΙ ΑΕΡΑ	TUBO DE AR	ILMALETKU
AIR INLET	LUFTINTAK	LUFTINDTAG	ΕΙΣΑΓΩΓΗ ΑΕΡΑ	ADMISSÃO DE AR	ILMAN TULOAUKKO
AIR INLET BOX	LUFTINTAKSBOLT	LUFTINDSUGNINGSBOKS	ΚΙΘΩΤΙΟ ΕΙΣΑΓΩΓΗΣ ΑΕΡΑ	CAIXA DE ADMISSÃO DE AR	ILMANTULORASIA
AIR INLET VALVE	LUFTINTAKSVENTIL	VENTIL TIL LUFTINDTAG	ΒΑΛΒΙΔΑ ΕΙΣΑΓΩΓΗΣ ΑΕΡΑ	VÁLVULA DE ADMISSÃO DE AR	ILMAN TULOVENTTILI
AIR INTAKE PIPE	LUFTINTAKSRØR	LUFTINDSUGNINGSRØR	ΣΩΛΗΝΑΣ ΕΙΣΑΓΩΓΗΣ ΑΕΡΑ	TUBO DE ADMISSÃO DE AR	ILMAN TULOPUTKI
AIR PIPE	LUFTRØR	LUFTKANAL	ΣΩΛΗΝΑΣ ΑΕΡΑ	TUBO DE AR	ILMAPUTKI
AIR RECEIVER	LUFTBEHOLDER	LUFTTANK	ΑΕΡΟΦΥΛΑΚΙΟ, ΘΑΛΑΜΟΣ ΠΛΗΡΩΣΗΣ ΑΕΡΑ	RESERVATÓRIO DE AR	ILMASÄILIÖ
AIR STARTER	LUFTSTARTER	LUFTAKTIVATOR	ΗΝΕΥΜΑΤΙΚΟΣ ΕΚΚΙΝΗΤΗΣ	ARRANCADOR A AR	PAINELIMAKÄYNNISTIN
AIR VALVE	LUFTVENTIL	LUFTVENTIL	ΗΝΕΥΜΑΤΙΚΗ ΒΑΛΒΙΔΑ	VÁLVULA DE AR	ILMAVENTTILI
ALARM UNIT	ALARMENHET	ALARMANORDNING	ΣΥΣΤΗΜΑ ΣΥΝΑΓΕΡΜΟΥ	UNIDADE DE ALARME	HÄLYTYSLAITE
ALTERNATOR	DYNAMO	VEKSELSTRØMSGENERATOR	ΕΝΑΛΛΑΚΤΗΣ	ALTERNADOR	VAIHTOVIRTALATURI
ALTERNATOR CABLE	DYNAMOKABEL	GENERATORKABEL	ΚΑΘΩΔΙΟ ΕΝΑΛΛΑΚΤΗΡΑ	CABO DO ALTERNADOR	VAIHTOVIRTALATURIN KAAPPELI
AMMETER	AMPEREMETER	AMPEREMETER	ΑΜΠΕΡΟΜΕΤΡΟ	AMPERÍMETRO	AMPEERIMITTARI
AMMETER SWITCH	AMPEREMETERBRYTER	AMPEREMETERKONTAKT	ΔΙΑΚΟΠΤΗΣ ΑΜΠΕΡΟΜΕΤΡΟΥ	INTERRUPTOR DO AMPERÍMETRO	AMPEERIMITTARIN KYTKIN
AMPLIFIER	FØRSTØRKER	FØRSTØRKER	ΕΝΕΥΧΥΤΗΣ	AMPLIFICADOR	VÄHVISTIN
ANCHOR PAD	ANKERPLADE	ANKERPLADE	ΒΑΣΗ ΣΤΕΡΕΩΣΗΣ	ALMOFADA DE FIXAÇÃO	KIINNITYSLEVY
ANCHOR PLATE	ANKERPLATE	ANKERPLADE	ΠΛΑΚΑ ΑΓΚΥΡΩΣΗΣ	PLACA DE FIXAÇÃO	KIINNITYSLEVY
ANGLE	VINKEL	VINKEL	ΓΩΝΙΑ	ÂNGULO	KULMA
ANTIFROST	FROSTVÆSKE	FROSTVÆSKE	ΑΝΤΙΨΑΛΕΤΙΚΟΣ	ANTICONGELANTE	PAKKASNESTE
ANTIVIBRATION PAD	VIBRASJØNSDØMPER	VIBRATIONSØDÆMPER	ΑΝΤΙΚΡΑΔΑΣΜΙΚΗ ΒΑΣΗ	ALMOFADA ANTIVIBRATÓRIA	VÄRINÄN VAIMENNIN
APPLIANCE INLET	INN-TAK PÅ APPARAT	MASKININDTAG	ΕΙΣΟΔΟΣ ΣΥΣΚΕΥΗΣ	DISP. DE ADMISSÃO DO ACESSÓRIO	LAITTEEN TULOAUKKO
ARM	ARM	ARM	ΒΡΑΧΙΟΝΑΣ	BRAÇO	VÄRSI
ARMATURE	ARMATUR	ARMATUR	ΟΗΛΙΣΜΟΣ	INDUZIDO	ANKKURI
ARMATURE COIL	ANKERSPOLE	ANKERSPOLE	ΗΗΝΙΟ ΟΗΛΙΣΜΟΥ	BOBINE DO INDUZIDO	ANKKURIKELA
ARMATURE CORE	ANKERKJERNE	ANKERKERNE	ΗΥΠΗΝΑΣ ΟΗΛΙΣΜΟΥ	NÚCLEO DO INDUZIDO	ANKKURIFEERNA
ARRESTOR.SILENCOR	FLAMMESTØPPER.LYDDEMPER	STOPANORDNING.DÆMPER	ΣΥΛΛΕΚΤΗΣ ΣΙΓΗΣ	DISPOSITIVO DE ENGATE.SILENCIADOR	KIPINÄNSAMMUTIN.ÄÄNENVAIMENNIN
ASSEMBLY KIT	MONTERINGSSETT	MONTAGESÆT	ΣΥΝΘΑΛΟ ΣΥΝΑΡΜΟΛΟΓΗΣΗΣ	ESTOJO DE MONTAGEM	ASENNUSSARIA
ASSEMBLY SET	MONTERINGSSETT	MONTERINGSÆT	ΣΕΙΡΑ ΣΥΝΑΡΜΟΛΟΓΗΣΗΣ	CONJUNTO DE MONTAGEM	ASENNUSSARIA
ASSEMBLY STRIP	MONTERINGSBÄND	MONTERINGSBÄND	ΤΑΙΝΙΑ ΣΥΝΑΡΜΟΛΟΓΗΣΗΣ	FAIXA DE MONTAGEM	KIINNITYSSIDE
ASSEMBLY TOOL	MONTERINGSVERKTØY	MONTAGEVÆRKTØY	ΕΡΓΑΛΕΙΟ ΣΥΝΑΡΜΟΛΟΓΗΣΗΣ	FERRAMENTA DE MONTAGEM	ASENNUSTYÖKALU
AUTO OILER HOSE	SLANGE.FØR AUTOMATISK SMØRING	SLANGETIL AUTOMATISK SMØRING	ΕΛΑΣΤΙΚΟΣ ΣΩΛΗΝΑΣ ΑΥΤΟΜΑΤΗΣ ΛΙΑΠΑΝΣΗΣ	MANGUEIRA DE AUTO-LUBRIFICAÇÃO	AUTOM. VOITTELULAITTEEN LETKU
AUTOMATIC	AUTOMATISK	AUTOMATISK	ΑΥΤΟΜΑΤΟΣ	AUTOMÁTICO	AUTOMAATTINEN
AUTOMATIC FUSE	AUTOMATISIKRING	AUTOMATISK SIKRING	ΑΥΤΟΜΑΤΗ ΣΦΑΛΕΙΑ	FUSÍVEL AUTOMÁTICO	AUTOMAATTIVAROKE
AUXILIARY CONTACT	HJÆLPEKONTAKT	HJÆLPEKONTAKT	ΕΦΕΑΡΙΚΗ ΕΙΛΑΦΗ	CONTACTO AUXILIAR	APUKOSKETIN
AUXILIARY RELAY	HJÆLPERELÉ	MELLEMLRELÉ	ΕΦΕΑΡΙΚΟ ΡΕΛΕ	RELÉ AUXILIAR	APURELE
AXLE	AKSEL	AKSEL	ΑΞΟΝΑΣ	EIXO	AKSELI
AXLE BEAM	AKSELBJÆLKE	AKSELBJÆLKE	ΔΟΚΟΣ ΑΞΟΝΑ	HASTE DO EIXO	AKSELIPALKKI
AXLE HOUSING	AKSELHUS	AKSELHUS	ΚΕΛΥΦΟΣ ΑΞΟΝΑ	CARÇA DO EIXO	AKSELIKOTTELO
AXLE WITH BRAKES	AKSEL.MED BREMSER	AKSEL.MED BREMSER	ΑΞΟΝΑΣ ΜΕ ΦΡΕΝΑ	EIXO COM TRAVÕES	JARRULLINEN AKSELI
AXLE, FRONT	FORAKSEL	FORAKSEL	ΑΞΟΝΑΣ, ΜΗΡΟΣΤΙΝΟΣ	EIXO DIANTEIRO	ETUAKSELI
AXLE, REAR	BAKAKSEL	BAGAKSEL	ΑΞΟΝΑΣ, ΠΙΣΩ	EIXO TRASEIRO	TAKA-AKSELI

B					
BACK NUT	BAKMUTTER	BAGMØTRIK	ΠΙΣΩ ΠΕΡΙΚΟΧΑΙΟ, ΠΙΣΩ ΠΑΞΙΜΑΔΙ	PORCA POSTERIOR	KANNATINMUTTERI
BACK PLATE	BAKPLADE	BAGPLADE	ΠΙΣΩ ΠΛΑΚΑ	CHAPA POSTERIOR	TUKILEVY
BACK-UP RING	BÆRERING	STØTTERING	ΤΑΙΝΙΑ ΑΝΤΙΣΤΗΡΙΞΗΣ	ANEL DE ENCOSTO	TUKIRENGAS
BACKING STRIP	UNDERLAGSPLATE	UNDERLAGSPLADE	ΑΝΑΠΛΗΡΩΜΑΤΙΚΟΣ ΔΙΑΚΟΠΤΗΣ	FAIXA DE PROTECÇÃO	TUKIJUSKA
BAFFLE	LEDEPLATE	LEDEPLATE	ΔΙΑΦΡΑΓΜΑ	DEFLECTOR	EROTUSLEVY
BAFFLE FRAME	LEDEPLATERAMME	RAMME TIL SKÆRMPLADE	ΠΛΑΣΤΙΟ ΔΙΑΦΡΑΓΜΑΤΟΣ	QUADRO DO DEFLECTOR	EROTUSLEVYN RUNKO
BALANCING PISTON	UTJEVNINGSTEMPEL	BALANCESTEMPEL	ΕΜΒΟΛΟ ΕΙΣΟΡΡΟΠΗΣΗΣ	EMBOLLO COMPENSADOR	TASAPAINOMÄNTÄ
BALL	KULE	KUGLE	ΣΦΑΙΡΑ	ESFERA	KUULA
BALL BEARING	KULELAGER	KUGLEHOLDER	ΣΦΑΙΡΙΚΟ ΡΟΥΛΕΜΑΝ	ROLAMENTO DE ESFERAS	KUULALAAKERI
BALL CAGE	KULEHOLDER	KUGLELEJE	ΑΥΤΟΡΥΘΜΙΖΟΜΕΝΟ ΡΟΥΛΕΜΑΝ	GAIOLA DAS ESFERAS	LAAKERIKEHÄ
BALL COUPLING	KULEKOPLING	KUGLESAMLING	ΣΦΑΙΡΙΚΟΣ ΣΥΝΔΕΣΜΟΣ	ACOPLEMENTO ESFÉRICO	KUULAKYTKIN
BALL HANDGRIP	KULEHÄNDTAK	KUGLEHÄNDTAG	ΣΦΑΙΡΙΚΗ ΧΕΙΡΟΛΑΒΗ	PUNHO ESFÉRICO	PALLOKAHVA
BALL JOINT	KULELEDD	KUGLELED	ΣΦΑΙΡΙΚΟΣ ΣΥΝΔΕΣΜΟΣ	JUNTA ESFÉRICA	PALLONIIVEL
BALL KNOB	RUND KNAPP	KUGLEGREB	ΣΦΑΙΡΙΚΟΣ ΚΟΜΒΟΣ	MAÇANETA ESFÉRICA	PYÖREÄ NUPPI
BALL VALVE	KULEVENTIL	KUGLEVENTIL	ΣΦΑΙΡΙΚΗ ΒΑΛΒΙΔΑ	VÁLVULA DE ESFERA	PALLOVENTTILI
BANJO	BANJOTILKOPLING	BANJOTILSLUTNING	ΜΗΑΝΤΖΟ	BANJO	BANJOLITIN
BARRIER	SPØRRE	SPØRRE	ΦΡΑΓΜΑ	BARREIRA	RAJOITIN
BASE FRAME	BUNNRAMME	BUNDRAMME	ΒΑΣΙΚΟ ΠΛΑΣΤΙΟ	QUADRO DE BASE	RUNKOKEHIKKO
BASE PLATE	BUNNPLATE	BUNNPLADE	ΒΑΣΙΚΗ ΠΛΑΚΑ	PRATO DE ASSENTAMENTO	POHJALEVY
BATTERY	BATTERI	BATTERI	ΜΗΑΤΑΡΙΑ	BATERIA	AKKU
BATTERY BOLT	BATTERIBOLT	BATTERIBOLT	ΚΟΧΛΙΑΣ ΜΗΑΤΑΡΙΑΣ	PARAFUSO DA BATERIA	AKKUPULTTI
BATTERY CABLE	BATTERIKABEL	BATTERIKABEL	ΚΑΘΩΔΙΟ ΜΗΑΤΑΡΙΑΣ	CABO DE BATERIA	AKKUKAAPPELI
BATTERY CHARGER	BATTERILADER	BATTERILADER	ΦΟΡΤΙΣΤΗΣ ΜΗΑΤΑΡΙΑΣ	CARREGADOR DA BATERIA	AKKULATURI
BATTERY CLAMP	BATTERIKLEMMER	BATTERIKLEMMER	ΣΥΓΚΡΑΤΗΤΗΡΑΣ ΜΗΑΤΑΡΙΑΣ	GRAMPOS DA BATERIA	AKUN NAPA
BATTERY COVER	BATTERIDÆKSEL	BATTERIDÆKSEL	ΚΑΛΥΜΜΑ ΜΗΑΤΑΡΙΑΣ	TAMPA DA BATERIA	AKUN KANSI
BATTERY EQUALIZER	BATTERIUTJEVNER	BATTERIUDLIGNER	ΙΣΟΣΤΑΘΜΙΣΤΗΣ ΜΗΑΤΑΡΙΑΣ	COMPENSADOR DA BATERIA	AKUN TASASUUNTAAJA
BATTERY FRAME	BATTERIRAMME	BATTERIRAMME	ΠΛΑΣΤΙΟ ΜΗΑΤΑΡΙΑΣ	ARMAÇÃO DA BATERIA	AKKUTELINE
BATTERY INDICATOR	BATTERIINDIKATOR	BATTERIINDIKATOR	ΕΝΔΕΙΞΗ ΜΗΑΤΑΡΙΑΣ	INDICADOR DE CARGA DA BATERIA	AKUN VARAUSTILAN ILMASIN
BATTERY RELAY	BATTERIRELÉ	BATTERIRELÆ	ΡΕΛΕ ΜΗΑΤΑΡΙΑΣ	RELÉ DA BATERIA	AKKURELE

ENGLISH	NEDERLANDS	FRANCAIS	DEUTSCH	ESPAÑOL	SVENSKA	ITALIANO
BATTERY SADDLE	BATTERIJSTEUN	SUPPORT DE BATTERIE	BATTERIESTUHL	SOPORTE DE BATERÍA	BATTERIHÅLLARE	SELLA DELLA BATTERIA
BATTERY SENSOR	BATTERIJSENSOR	CAPTEUR DE BATTERIE	BATTERIESENSOR	SENSOR DE LA BATERÍA	BATTERIGIVARE	SENSORE DELLA BATTERIA
BATTERY SWITCH	BATTERIJSCHAKELAAR	DISJONCTEUR DE BATTERIE	BATTERIESCHALTER	INTERRUPTOR DE BATERÍA	BATTERISTRÖMSTÄLLARE	INTERRUTTORE DELLA BATTERIA
BATTERY TRAY	BATTERIJBAK	BOÎTE DE BATTERIE	BATTERIETROG	PLACA DE LA BATERÍA	BATTERILÅDA	VASSOIO DELLA BATTERIA
BATTERY WET	BATTERIJVLOEISTOF	FLUIDE DE BATTERIE	BATTERIEFLÜSSIGKEIT	HUMEDAD DE BATERÍA	VÅTBATTERI	BAGNO DELLA BATTERIA
BEAM	BALK	POUTRE	BALKEN	VIGA	BALK	TRAVE
BEARING	LAGER	ROULEMENT	LAGER	COJINETE	LAGER	CUSCINETTO
BEARING BLOCK	LAGERBLOK	PALIER A ROULEMENT	LAGERBOCK	BLOQUE DEL COJINETE	LAGERBLOCK	BLOCCO DEL CUSCINETTO
BEARING BUSH	LAGERBUS	COUSSINET	LAGERBUCHSE	BUJE DEL COJINETE	LAGERBUSSNING	BUSSOLA PER CUSCINETTO
BEARING FLANGE	LAGERFLENS	BRIDE D' APPUI	LAGERFLANSCH	BRIDA DEL COJINETE	LAGERFLÄNS	LANGERFLANGE DEL CUSCINETTO
BEARING HOUSING	LAGERHUIS	CARTER DE ROULEMENT	LAGERGEHÄUSE	CAJA DEL COJINETE	LAGERHUS	ALLOGGIAMENTO DEL CUSCINETTO
BEARING LINER	LAGERMATERIAAL	ALIGNEUR DE ROULEMENT	LAGERGELEITFLÄCHE	REVESTIMIENTO DEL COJINETE	LAGERINSATS	SPESORE DEL CUSCINETTO
BEARING RETAINER	LAGERHOUDER	PALIER À ROULEMENT	LAGERAUFNAHME	RETÉN DEL COJINETE	LAGERHÅLLARE	FERMO DEL CUSCINETTO
BEARING SET	LAGERSTEL	JEU DE ROULEMENTS	LAGERSATZ	JUEGO DE COJINETES	LAGERSATS	SERIE DI CUSCINETTI
BEARING SHELL	LAGERSCHAAL	COUSSINET	LAGERSCHALE	CASCO DEL COJINETE	LAGERSKÅL	GUSCIO DI CUSCINETTO
BEARING SHIELD	LAGERSCHILD	BOÎTIER DE ROULEMENT	LAGERSCHILD	ESCUDO DEL COJINETE	LAGERSKÖLD	PROTEZIONE DEL CUSCINETTO
BELLOW	BALG	SOUFFLET	BALG	FUELLE	BÄLG	SOFFIETTO
BELT	RIEM	COURROIE	RIEMEN	CORREA	REM	CINTURA - NASTRO
BELT GUARD	RIEMBESCHERMER	COUVRE-COURROIE	RIEMENSCHUTZ	PROTECCIÓN DE LA CORREA	REMSKYDD	PROTEZIONE DELLA CINTURA
BELT TENSIONER	RIEMSPANNER	TENDEUR DE COURROIE	RIEMENSPANNER	TENSOR DE LA CORREA	REMSPÄNNARE	TENDITORE DELLA CINTURA
BEND	BOCHT	COUDE	KRÜMMER	CURVA	KRÖK	CURVA
BLADE	BLAD	PALE	SCHAUFEL	ALETA	BLAD	PALA
BLEEDER VALVE	ONTLUCHTINGSKLEP	SOUPAPE DE PURGE	ENTLÜFTUNGSVENTIL	VÁLVULA DE PURGA	UTLUFNINGSVENTIL	VALVOLA DI SPURGO
BLEEDING TUBE	ONTLUCHTINGSLEIDING	TUYAU DE PURGE	ENTLÜFTUNGSRÖHR	TUBO DE PURGA	LUFTNINGSSLANG	TUBO DI SPURGO
BLIND FLANGE	BLINDE FLENS	BRIDE PLEINE	BLINDFLANSCH	BRIDA CIEGA	BLINDFLÄNS	FLANGIA CIECA
BLIND RIVET	BLINDE KLINKNAGEL	RIVET AVEUGLE	BLINDNIET	REMACHE CIEGO	BLINDNIET	RIVETTO CIECO
BLINKER LIGHT	KNIPPERLICHT	CLIGNOTEUR	BLINKFEUER	LUZ DESTELLANTE	BLINKLIJUS	LAMPEGGIATORE
BLOCK	BLOK	BLOK	BLOCK	BLOCK	BLOCK	BLOCCO
BLOCKING DEVICE	BLOKKERING	DISPOSITIF DE BLOCAGE	SPERRE	DISPOSITIVO DE BLOQUEO	BLOCKANORDNING	DISPOSITIVO DI BLOCCAGGIO
BLOCKING TOOL	BLOKKEERGEREEDSCHAP	OUTIL DE BLOCAGE	GEGENHALTER	HERRAMIENTA DE BLOQUEO	BLOCKERINGSVERKTYG	UTENSILE DI BLOCCAGGIO
BLOW-OFF SILENCER	GELUIDDEMPER	SOUPAPE DE COMPRESSION	ABBLASEDÄMPFER	SILENCIADOR DE LA PURGA	AVBLÄSNINGSDÄMPARE	SILENZIZATORE DI SCARICO
BLOW-DOWN VALVE	SPIJKLEP	REFROIDISSEUR DE DÉCHARGE	ABBLASEVENTIL	VÁLV. EVACUACIÓN	UTBLÄSNINGSVENTIL	VALVOLA DI SCARICO
BLOW-OFF COOLER	AFBLAASKOELER	SILENCIEUX DE DECHARGE	ABBLASEKÜHLER	REFR. DE ESCAPE	AVBLÄSNINGSKYLARE	REFRIGERATORE DI SCARICO
BLOWER	VENTILATOR	VENTILATEUR, SOUFFLANTE	GEBLÄSE	VENTILADOR IMPELENTE	FLÅKT	SOFFIANTE
BODY	HUIS	CORPS	KÖRPER	CUERPO	HUS	CORPO
BODY WORK	KOETSWERK	CORPS	FAHRGESTELL	TRABAJO DEL CUERPO	HUSSTOMME	PEZZO DEL CORPO
BOLT	BOUW	BOULON	BOLZEN	PERNO	BULT	BULLONE - VITE DI FISSAGGIO
BOOSTER	BOOSTER	UNITE D' APPOINT	VERSTÄRKER	ELEVADOR	HJÄLPDON	ELEVATORE
BOSS	NAAF	MOYEU	NABE	REFUERZO	NAV	MOZZO
BOTTOM	BODEM	FOND	BODEN	FONDO	BOTTEN	FONDO
BOTTOM PANEL	BODEMPANEEL	PANNEAU DE FOND	BODENPANEEL	PANEL DE FONDO	BOTTENPANEL	PANNELLO DI FONDO
BOTTOM PIPE	BODEMPIJP	TUYAU DE FOND	BODENROHR	TUBERÍA DE FONDO	BOTTENRÖR	TUBO INFERIORE
BOTTOM PLATE	BODEMPLAAT	TOLE DE FOND	BODENPLATTE	CHAPA DE FONDO	BOTTENPLÅT	PIASTRA DI FONDO
BOW	BEGEL	ARC	BOGEN	ASA	BÅGE	ARCHETTO
BOW SHACKLE	HARPSLUTTING	CHAÎNE D' ARC	BÜGEL	PERNODEENGANCHECURVADO	BÅGBYGEL	ANELLO DI TRAZ. DELL' ARCHETTO
BOWL	KOM	CUVETTE	SCHALE	CUBA	SKÅL	BICCHIERINO
BOWL CLIP	KOMVORMIGE KLEM	ATTACHE DE CUVETTE	CLIP	ABRAZADERA DE LA CUBA	SKÅLKLÄMMA	FERMAGLIO DEL BICCHIERINO
BOX	KAST	BOÎTE	KASTEN	CAJA	SKÅP	SCATOLA
BRACE	BEGEL	ATTACHE	STREBE	ABRAZADERA	BYGEL	SOSTEGNO COLLEGAMENTO
BRACKET	STEUN	SUPPORT	STÜTZE	MÉNSULA	HÅLLARE	MENSOLA
BRACKET STOP	AANSLAG	BUTEE DE SUPPORT	ANSCHLAG	FRENO DE LA MÉNSULA	HÅLLARSPÄRR	ARRESTO DELLA MENSOLA
BRAKE	REM	FREIN	BREMSE	FRENO	BROMS	BROMS
BRAKE ASSY	REM, COMPLETEE	FREIN COMPLET	BREMSENBAUGRUPPE	CONJUNTO FRENO	BROMSSATS	GRUPPO DEL FRENO
BRAKE BEAM	REMBALK	BARRE DE FREIN	BREMSBALKEN	HAZ DEL FRENO	BROMSBALK	TRAVE DEL FRENO
BRAKE CABLE	REMKABEL	CABLE DE FREIN	BREMSEIL	CABLE DE FRENO	BROMSKABEL	CAVO DEL FRENO
BRAKE CHAMBER	LUCHTKAMER	RESERVOIR DE FREIN	BREMSEKAMMER	CÁMARA DE FRENO	LUFTKAMMARE	CAMERA DEL FRENO
BRAKE CYLINDER	REMCILINDER	VERIN DE FREIN	BREMSEZYLINDER	CILINDRO DEL FRENO	BROMSCYLINDER	CILINDRO DEL FRENO
BRAKE DRUM	REMTROMMEL	TAMBOUR DE FREIN	BREMSTROMMEL	TAMBOR DE FRENO	BROMSTRUMMA	BROMSTRUMMA
BRAKE HUB	REMNAAF	MOYEU DE FREIN	BREMSENABE	ANILLO CENTRAL DEL FRENO	BROMSNÄV	MOZZO DEL FRENO
BRAKE LEVER	REMHIEFBOOM	LEVIER DE FREIN	BREMSEHEBEL	PALANCA DE FRENO	BROMSSPÅK	LEVA DEL FRENO
BRAKE LINING	REMVOERING	ALIGNEMENT DE FREIN	BREMSEBELAG	REVESTIMIENTO DEL FRENO	BROMSBELÄGG	GUARNIZIONE DEL FRENO
BRAKE SHOE	REMSCHOEN	PAIIN DE FREIN	BREMSEBACKE	ZAPATA DEL FRENO	BROMSBACK	CEPPO DEL FRENO
BRAKE YOKE	REMIJUK	JOUG DE FREIN	BREMSEJOCH	BRIDA DEL FRENO	BROMSKOK	GIOCO DEL FRENO
BRANCH PIPE	AFTAKPIJP	TUYAU DE BRANCHEMENT	ABZWEIGROHR	TUBO DERIVADO	AVGRENINGSRÖR	TUBO DI RACCORDO
BREATHER	ONTLUCHTER	RENIFLARD	ENTLÜFTER	RESPIRADERO	UTLUFNING	SFIATATOIO
BREATHER ELEMENT	ONTLUCHTINGSELEMENT	ELEMENT DE RENIFLARD	ELEMENTUNGSELEMENT	ELEM. DE RESPIR.	UTLUFNINGSSINSATS	ELEMENTO DI SFIATO
BRUSH	BORSTEL	BROSSE	BÜRSTE	ESCOBILLA	BORSTE	SPAZZOLA
BUFFER	BUFFER	AMORTISSEUR	PUFFER	AMORTIGUADOR	BUFFERT	PARACOLPI
BUFFER DISC	BUFFERPLAAT	DISQUE AMORTISSEUR	PUFFERSCHEIBE	DISCO AMORTIGUADOR	BUFFERTSKIVA	DISCO DEL PARACOLPI
BUFFER RING	BUFFERRING	ANNEAU AMORTISSEUR	PUFFERRING	ANILLO AMORTIG.	BUFFERFRING	ANELLO PARACOLPI
BULB	GLOEILAMP	AMPOULE	GLÜHLAMPE	BOMBILLA	GLÖDLAMPA	LAMPADINA
BUMPER	BUMPER	PARÉ-CHOC	STOSSSTANGE	PARACHOQUES	STÖTFÄNGARE	PARAURTI
BUMPER BAR	BUMPER	BARRE DE PARÉ-CHOC	STOSSSTANGE	BARRA DE SACUDIDAS	STÖTFÄNGARSKENA	BARRA RESPINGENTE
BUMPER DRAIN	AFTAPBUIJS BUMPER	DRAIN DE PARÉ-CHOC	ABLASS	DRENAJE DE SACUDIDAS	STÖTFÄNGARRÄNNA	SCARICO RESPINGENTE
BUMPER PLATE	BUMPER PLAAT	PLAQUE PARÉ-CHOC	STOSSFÄNGER	PLACA DE SACUDIDAS	STÖTFÄNGARPLÅT	PIASTRA RESPINGENTE
BURN-OUT FILTER	VERBRANDINGSFILTER	FILTRE DE COMBUSTION	VERBRENNUNGSFILTER	FILTRO DE COMBUSTIÓN	FÖRBRÄNNINGSFILTER	FILTRO ANTIFIAMMA
BUS-BAR	RAIL	RAIL	SAMMELSCHIENE	BARRA COLECTORA	SAMLINGSSKENA	SBARRA-BUS
BUSH	BUS	DOUILLE	BUCHSE	BUJE	BUSSNING	BUSSOLA
BUSH HOLDER	BUSHOUDER	PORTE-DOUILLE	BUCHSENAUFNAHME	SOPORTE DEL MANGUITO	BUSSNINGSHÅLLARE	SUPPORTO PER BUSSOLA
BUSHING	BUS	DOUILLE	BUCHSE	BUJE	BUSSNING	BOCCOLA
BUTTON	KNOP	BOUTON	TASTE	BOTÓN	KNAPP	PULSANTE
BY-PASS VALVE	OMLOOPKLEP	VANNE BY-PASS	UMGEHUNGSVENTIL	VÁLV. DE DERIVACIÓN	ÖVERSTR. VENTIL	VALVOLA BY-PASS

C

CABLE	KABEL	CABLE	KABEL	CABLE	KABEL	CAVO
CABLE BOX	AANSLUITDOOS	BOÎTE DE JONCTION	ANSCHLUSSDOSE	CAJA DE CONEXIÓN	KOPPLINGSLÅDA	MUFFOLA PER CAVI
CABLE CLAMP	KABELKLEM	COLLIER DE SERRAGE	KABELKLEMME	GRAPA PARA CABLE	KABELKLÄMMA	MORSSETTO SERRAFILO
CABLE CLEVIS	TREKKABEL	CROCHET DE CABLE	KABELÖSE	ABRAZADERA PARA EL CABLE	KABELGAFFEL	CAVAL CON FERNO DI CHIU. DEL CAVO
CABLE CLIP	KABELKLEM	ATTACHE DE CABLE	KABELCLIP	COLLAR PARA CABLE	KABELKLÄMMA	FERMAGLIO DEL CAVO
CABLE CONNECTOR	KABELVERBINDING	CONNECTEUR DE CABLE	KABELVERBINDER	CONECTOR DE CABLE	KABELFÖRBINDNING	CONNETTORE PER CAVI
CABLE END	KABELEIND	BOUT DE CABLE	KABELSTUMPF	EXTREMO DEL CABLE	KABELÅNDA	ESTREMITA' DEL CAVO
CABLE GLAND	KABELRING	PRESSE-ETOUPE, CABLE	KABELINFÜHRUNG	CASQUILLO DE CABLE	KABELFÖRSKRUVNING	PRESSATRECCIA PER CAVO
CABLE GUIDE	KABELGELEIDING	GUIDE-CABLE	KABELFÜHRUNG	GUÍA DEL CABLE	KABELGUIDE	GUIDA PER CAVO
CABLE INLET	KABELINVOERING	RACC. ENTRÉE DE CABLE	KABELINFÜHRUNG	ENTRADA DE CABLE	KABELINTAG	ENTRATA DEL CAVO
CABLE LUG	KABELSCHOEN	COSSE DE CABLE	KABELSCHUH	TALÓN DE CABLE	KABELSKO	CAPOCORDA
CABLE PROTECTION	KABELSOLATIE	PROTECTION DE CABLE	KABELSCHUTZ	PROTECCIÓN PARA EL CABLE	KABELSKYDD	PROTEZIONE DEL CAVO
CABLE STRIP	KABELSTRIP	BANDE DE CABLE	KABELSTREIFEN	CINTA PARA EL CABLE	KABELREMSA	NASTRO DEL CAVO
CABLE TIE	KABELSTRIP	COLLIER DE CABLE	KABELBINDER	UNIÓN DEL CABLE	KABELFÄSTE	TIRANTE DEL CAVO
CABLE TIE ANCHOR	BEVESTIGING V. KABELSTRIP	ANCRE COLLIER DE CABLE	BEFESTIGUNG KABELBINDER	ANCLAJE PARA UNIÓN DEL CABLE	ANKARE KABELFÄSTE	ANCORAGGIO DEL TIRANTE CAVO

ENGLISH	NORSK	DANSK	ΕΛΛΗΝΙΚΑ	PORTUGUÊS	SUOMI
BATTERY SADDLE	BATTERIHOLDER	BATTERISADEL	ΓΕΦΥΡΑ ΜΠΑΤΑΡΙΑΣ	ESPERA DA BATERIA	AKKUTELINE
BATTERY SENSOR	BATTERISENSOR	BATTERISENSOR	ΑΣΘΗΤΗΡΑΣ ΜΠΑΤΑΡΙΑΣ	SENSOR DA BATERIA	AKKUANTURI
BATTERY SWITCH	BATTERIBRYTER	BATTERIÆBRYDER	ΔΙΑΚΟΠΤΗΣ ΜΠΑΤΑΡΙΑΣ	INTERRUPTOR DA BATERIA	AKKUKYTKIN
BATTERY TRAY	BATTERIBRETT	BATTERIBAKKE	ΘΗΚΗ ΜΠΑΤΑΡΙΑΣ	TINA DA BATERIA	AKKUTELINE
BATTERY WET	BATTERIVÆSKE	BATTERIVÆSKE	ΜΠΑΤΑΡΙΑ ΥΓΡΟΥ	BATERIA HIDROELÉCTRICA	AKKUNESTE
BEAM	BJELKE	BJELKE	ΔΟΚΟΣ	VIGA	PALKKI
BEARING	LAGER	LEJE	ΕΛΑΦΑΝΟ, ΚΟΥΖΙΝΕΤΟ, ΡΟΥΛΕΜΑΝ	ROLAMENTO	LAAKERI
BEARING BLOCK	LAGERBLOKK	LEJEBLOK	ΣΥΣΤΗΜΑ ΡΟΥΛΕΜΑΝ	BASE DO ROLAMENTO	LAAKERINKANNATIN
BEARING BUSH	LAGERBØSSING	BØSSING TIL LEJE/LEJEBØSSNING	ΧΡΙΤΩΝ ΕΛΑΦΑΝΟΥ	CASQUILHO DO ROLAMENTO	LAAKERIHOLKKI
BEARING FLANGE	LAGERFLENS	LEJEFLANGE	ΦΑΝΤΖΑ ΕΛΑΦΑΝΟΥ	FLANGE DO ROLAMENTO	LAAKERILAIPPA
BEARING HOUSING	LAGERHUS	LEJEHUS	ΚΕΛΥΦΟΣ ΕΛΑΦΑΝΟΥ	CHUMACEIRA	LAAKERIPESÄ
BEARING LINER	LAGERFORING	LEJEFORING	ΠΕΡΙΒΑΛΜΑ ΡΟΥΛΕΜΑΝ	CAMISA DO ROLAMENTO	LAAKERISUSTE
BEARING RETAINER	LAGERHOLDER	LEJEHOLDER	ΣΥΤΚΡΑΤΗΤΗΡΑΣ ΡΟΥΛΕΜΑΝ	RETENTOR DO ROLAMENTO	VIERINTÄELINTEN PIDIN
BEARING SET	LAGERSETT	LEJEINDSAT	ΣΕΙΡΑ ΕΛΑΦΑΝΩΝ	CONJUNTO DO ROLAMENTO	LAAKERISARIA
BEARING SHELL	LAGERSKÅL	LEJEBØSSNING/LEJESKÅL	ΚΕΛΥΦΟΣ ΕΛΑΦΑΝΟΥ	REVESTIMENTO DO ROLAMENTO	LAAKERIKUORI
BEARING SHIELD	LAGERSKJOLD	LEJESKJOLD	ΠΡΟΣΤΑΤΕΥΤΙΚΟ ΚΑΛΥΜΜΑ ΕΛΑΦΑΝΟΥ	BLINDAGEM DO ROLAMENTO	LAAKERIN SUOJUS
BELLOW	BELG	BLÆSEBELG	ΦΥΣΟΥΝΑ	FOLE	PALJE
BELT	REM	REM	ΙΜΑΝΤΑΣ	CORREIA	HIHNA
BELT GUARD	REMVERM	REMBESKYTTELSE	ΠΡΟΦΥΛΑΚΤΗΡΑΣ ΙΜΑΝΤΑ	PROTECTOR DA CORREIA	HIHNA SUOJUS
BELT TENSIONER	REMSTRAMMER	REMSTRAMMER	ΕΝΤΑΤΗΡΑΣ ΙΜΑΝΤΑ	SENSOR DA CORREIA	HIHNA KIRISTIN
BEND	BEND	BØJNING	ΚΑΜΨΗ	CURVATURA	MUTKA
BLADE	BLAD	KLINGE/BLAD	ΠΤΕΡΥΓΙΟ, ΔΕΙΗΛΙΑ	LÂMINA	LAPA
BLEEDER VALVE	UTLUFTINGSVENTIL	UDLUFTNINGSVENTIL	ΒΑΛΒΙΔΑ ΑΙΑΦΥΓΗΣ	VÁLVULA DE PURGA	ILMANPOISTOVENTTILI
BLEEDING TUBE	UTLUFTNINGSRØR	UDLUFTNINGSRØR	ΣΩΛΗΝΑΣ ΑΙΑΦΥΓΗΣ	TUBO DE DRENAGEM	ILMANPOISTOJOHITO
BLIND FLANGE	BLINDFLENS	BLINDFLANGE	ΤΥΦΑΛΗ ΦΑΝΤΖΑ	FLANGE CEGA	PILLOLAIPPA
BLIND RIVET	BLINDNAGLE	BLINDNITTE	ΤΥΦΑΛΟ ΚΑΡΦΙ	REBITE CEGO	PILONIIPTI
BLINKER LIGHT	SIGNALLAMPE	BLINKLYS	ΛΑΜΠΗΤΗΡΑΣ ΦΩΤΕΙΝΩΝ ΣΗΜΑΤΩΝ	LUZINTERMITENTE	VILKKUVALO
BLOCK	BLOK	BLOK	ΣΥΤΚΡΟΤΗΜΑ	BLOCO	LOHKO
BLOCKING DEVICE	SPERRE	SPERRE	ΣΥΣΤΗΜΑ ΑΝΑΣΤΟΛΗΣ	DISPOSITIVO DE BLOQUEIO	LUKITUSLAITE
BLOCKING TOOL	SPERREVERKTØY	SPERREVERKTØY	ΕΡΓΑΛΕΙΟ ΑΝΑΣΤΟΛΗΣ	FERRAMENTA DE BLOQUEIO	LUKITUSVÄLINE
BLOW-OFF SILENCER	AVBLÆSNINGSPLYDDEMPER	UDBLÆSNINGSPLYDDEMPER	ΒΑΛΒΙΔΑ ΕΚΚΕΝΩΣΗΣ	SILENCIADOR DE DESCARGA	ÄÄNENVAIMENNIN
BLOW-DOWN VALVE	UTBLÆSNINGSVENTIL	UDBLÆSNINGSVENTIL	ΦΥΣΗΤΗΡΑΣ	VÁLVULA DE DESCARGA	PUHALLUSVENTTILI
BLOW-OFF COOLER	AVBLÆSNINGSKJØLER	AFBLÆSNINGSKØLER	ΨΥΚΤΗΣ ΕΚΤΩΝΩΣΗΣ	REFRIGERADOR DE DESCARGA	JÄÄHDYTYSPUHALLIN
BLOWER	VIFTE	VENTILATOR	ΣΙΓΓΑΣΤΗΡΑΣ ΕΚΤΩΝΩΣΗΣ	VENTILADOR	TUULETIN
BODY	HUS	HUS	ΣΩΜΑ	CORPO	RUNKO
BODY WORK	KAROSSERI	KAROSSERI	ΑΜΑΞΩΜΑ	TRABALHO CORPORAL	KORI
BOLT	BOLT	BOLT	ΚΟΧΛΙΑΣ	PARAFUSO	PULTTI
BOOSTER	FØRSTERKER	BOOSTER/FØRSTÆRKER	ΕΝΔΥΧΥΤΗΣ	INTENSIFICADOR	VÄHVISTIN
BOSS	BOSS	STUDS	ΚΟΛΑΡΟ	SALÊNCIA	NAPA
BOTTOM	BUNN	BUND	ΒΑΣΗ	FUNDO	POHJA
BOTTOM PANEL	BUNNPANEL	BUNDPANEL	ΚΑΤΩ ΚΑΛΥΜΜΑ	PAINEL DE FUNDO	POHJAPANEELI
BOTTOM PIPE	BUNNRØR	BUNDRØR	ΚΑΤΩ ΣΩΛΗΝΑΣ	TUBO DE FUNDO	POHJAPUTKI
BOTTOM PLATE	BUNNPLATE	BUNDPLADE	ΚΑΤΩ ΠΛΑΚΑ	PLACA DE FUNDO	POHJALEVY
BOW	BUE	BUE	ΤΟΞΟ	TAMPA	KIINNITIN
BOW SHACKLE	SIKKELE	BUEBØJLE	ΤΟΞΩΤΟΣ ΚΡΙΚΟΣ	ARO DA TAMPA	SAKKELEI
BOWL	SKÅL	SKÅL	ΔΕΚΑΝΗ	TAÇA	MALJA
BOWL CLIP	SKÅLKLEMMER	SKÅLKLEMMER	ΘΩΛΩΤΟΣ ΣΥΤΚΡΑΤΗΤΗΡΑΣ	PINÇA DA TAÇA	MALJAMAINEN KIINNIKE
BOX	BOKS	SKAB	ΚΟΥΤΙ, ΚΙΒΩΤΙΟ	CAIXA	KOTELO
BRACE	STIVER	STIVER	ΕΝΔΥΧΥΣΗ	BRACADEIRA	KANNATIN
BRACKET	BRACKETT	HOLDER/KONSOL	ΥΠΟΣΤΗΡΙΓΜΑ, ΜΗΡΑΚΕΤΟ	SUPORTE	PIDIN
BRACKET STOP	BRACKETSTOPPER	KONSOLSTOP	ΜΗΡΑΚΕΤΟ ΑΝΑΚΟΠΗΣ	BATENTE DO SUPORTE	VASTE
BRAKE	BREMS	BREMSE	ΦΡΕΝΟ	TRAVÃO	JARRU
BRAKE ASSY	BREMSEENHET	BREMSESÆT	ΣΥΣΤΗΜΑ ΦΡΕΝΟΥ	CONJUNTO DO TRAVÃO	JARRUASENNELMA
BRAKE BEAM	BREMSEBJELKE	BREMSEBJELKE	ΔΟΚΟΣ ΦΡΕΝΟΥ	HASTE DO TRAVÃO	JARRUPALKKI
BRAKE CABLE	BREMSEKABEL	BREMSEKABEL	ΚΑΛΩΔΙΟ ΦΡΕΝΟΥ	CABO DE TRAVÃO	JARRUKAAPELI
BRAKE CHAMBER	BREMSEKAMMER	LUFTKAMMER	ΘΑΛΑΜΟΣ ΦΡΕΝΟΥ	CÂMARA DO TRAVÃO	PAINELMAKAMMIO
BRAKE CYLINDER	BREMSESYLINDER	BREMSECYLINDER	ΚΥΛΙΝΔΡΟΣ ΦΡΕΝΟΥ	CILINDRO DO TRAVÃO	JARRUSYLINTERI
BRAKE DRUM	BREMSETRÖMMEL	BREMSETRÖMMEL	ΤΥΜΠΑΝΟ ΦΡΕΝΟΥ	TAMBOR DO TRAVÃO	JARRURUMPU
BRAKE HUB	BREMSENAV	BREMSENAV	ΠΑΛΗΜΝΗ ΦΡΕΝΟΥ	EIXO DO TRAVÃO	JARRUNAPA
BRAKE LEVER	BREMSESPAK	BREMSEARM	ΜΟΧΛΟΣ ΦΡΕΝΟΥ	ALAVANCA DO TRAVÃO	JARRUVIPU
BRAKE LINING	BREMSEBELEGG	BREMSEBELEGGING	ΤΑΚΑΚΙ ΦΡΕΝΟΥ	REVESTIMENTO DO TRAVÃO	JARRUHIHNA
BRAKE SHOE	BREMSESKO	BREMSEBAKKE	ΣΙΑΤΩΝΑ ΦΡΕΝΟΥ	PASTILHA DO TRAVÃO	JARRUKENKÄ
BRAKE YOKE	BREMSEÅK	BREMSEÅK	ΖΥΓΟΣ ΦΡΕΝΟΥ	UNIÃO DO TRAVÃO	JARRUIES
BRANCH PIPE	FORGRENNINGSRØR	FORGRENNINGSRØR	ΣΩΛΗΝΑΣ ΔΙΑΚΛΑΜΩΣΗΣ	TUBO DE DERIVAÇÃO	PUTKIHAARA
BREATHER	UTLUFTNINGSVENTIL	UDLUFTNING	ΑΝΑΙΝΕΥΣΤΗΡΑΣ	RESPIRADOR	HUOHOTIN
BREATHER ELEMENT	UTLUFTNINGSSELEMENT	UDLUFTNINGSINDSAT	ΣΤΟΙΧΕΙΟ ΑΝΑΙΝΕΥΣΗΣ	ELEMENTO DE RESPIRADOR	HUOHOTINPATRUUNA
BRUSH	BØRSTE	BØRSTE	ΨΥΚΤΗΡ	ESCOVA	HARJA
BUFFER	BUFFER	BUFFER	ΑΠΟΣΒΕΣΤΗΡΑΣ	AMORTECEDOR	ISKUNVAIMENNIN
BUFFER DISC	BUFFERPLATE	BUFFERSKIVE	ΔΕΚΟΣ ΑΠΟΣΒΕΣΤΗΡΑ	DISCO DO AMORTECEDOR	PUSKULEVY
BUFFER RING	BUFFERRING	BUFFERRING	ΔΑΚΤΥΛΙΟΣ ΑΠΟΣΒΕΣΤΗΡΑ	ANEL DO AMORTECEDOR	PUSKURINGAS
BULB	PÆRE	PÆRE	ΣΦΑΙΡΙΚΟ ΔΟΧΕΙΟ, ΛΑΜΠΑΚΙ, ΑΜΠΟΥΛΑ	LÂMPADA	POLITIMO
BUMPER	STØTFANGER	STØDFANGER	ΠΡΟΦΥΛΑΚΤΗΡΑΣ	PÁRA-CHOQUES	PUSKURI
BUMPER BAR	STØTFANGERSTANG	STØDFANGERSTANG	ΜΠΑΡΑ ΠΡΟΦΥΛΑΚΤΗΡΑ	BARRA DO PÁRA-CHOQUES	PUSKURI
BUMPER DRAIN	STØTFANGERDRENERING	STØTFANGERAFLØB	ΑΠΟΧΕΤΕΥΣΗ ΠΡΟΦΥΛΑΚΤΗΡΑ	DRENO DO PÁRA-CHOQUES	PUSKURIN POISTOPUTKI
BUMPER PLATE	STØTFANGERPLATE	STØDFANGERPLADE	ΕΛΑΣΜΑ ΠΡΟΦΥΛΑΚΤΗΡΑ	PLACA DO PÁRA-CHOQUES	PUSKURILEVY
BURN-OUT FILTER	FORBRENNINGSFILTER	FORBRÆNDINGSFILTER	ΚΑΜΕΝΟ ΦΙΛΤΡΟ	FILTRO DE COMBUSTÃO	POLITISUODATIN
BUS-BAR	KOPPLINGSKINNE	SAMLESKINNE	ΚΙΝΗΤΙΚΟ ΚΥΚΛΩΜΑ ΠΙΝΑΚΑ ΔΙΑΝΟΜΗΣ	BARRAMENTO	KISKO
BUSH	BØSSING	BØSSING	ΑΝΤΙΤΡΙΒΙΚΟΣ ΔΑΚΤΥΛΙΟΣ	CASQUILHO	HOLKKI
BUSH HOLDER	BØSSINGHOLDER	BØSSINGHOLDER	ΣΥΤΚΡΑΤΗΤΗΡΑΣ ΑΝΤΙΤΡΙΒΙΚΟΥ ΔΑΚΤΥΛΙΟΥ	SUPORTE DO CASQUILHO	HOLKINPIDIN
BUSHING	BØSSING	BØSSING	ΑΝΤΙΤΡΙΒΙΚΟΣ ΔΑΚΤΥΛΙΟΣ	CASQUILHO	HOLKKI
BUTTON	KNAPP	KNAP	ΚΟΥΜΠΙ, ΜΠΟΥΤΟΝ	BOTÃO	PAINIKE
BY-PASS VALVE	BYPASSVENTIL	OMLØBSVENTIL	ΒΑΛΒΙΔΑ ΠΑΡΑΚΑΜΨΗΣ	VÁLVULA DE DERIVAÇÃO	OHTUSVENTTILI

C					
CABLE	KABEL	KABEL	ΚΑΛΩΔΙΟ	CABO	ΚΑΑΠΕΛΙ
CABLE BOX	BRYTERSKAP	KABELKASSE	ΚΟΥΤΙ ΚΑΛΩΔΙΩΝ	CAIXA DE JUNÇÃO DE CABOS	LIITÄNTÄRSÄSIA
CABLE CLAMP	KABELKLEMMER	KABELKLEMMER	ΣΦΙΚΤΗΡΑΣ ΚΑΛΩΔΙΟΥ	BRACADEIRA DO CABO	KAAPELIKENKÄ
CABLE CLEVIS	KABELGAFFEL	KABELGAFFELBOLT	ΑΣΦΑΛΕΙΑ ΚΑΛΩΔΙΟΥ	GANCHO DE SEGURANÇA DO CABO	VETOKAAPELI
CABLE CLIP	KABELKLEMMER	KABELKLEMMER	ΣΤΗΡΙΓΜΑ ΚΑΛΩΔΙΟΥ	PORTA-CABO	KAAPELIPURISTIN
CABLE CONNECTOR	KABELFORBINDELSE	KABELKONNEKTOR	ΣΥΝΑΕΤΗΡΑΣ ΚΑΛΩΔΙΟΥ	FICHA	KAAPELIN LIITIN
CABLE END	KABELLENDE	KABELLENDE	ΑΚΡΟ ΚΑΛΩΔΙΟΥ	TERMINAL DE CABO	KAAPELIN PÄÄ
CABLE GLAND	KABELPAKNING	KABELKRAVE	ΠΕΡΙΒΑΛΜΑ ΚΑΛΩΔΙΟΥ, ΜΑΝΔΥΑΣ ΚΑΛΩΔΙΟΥ	BUCIM DE CABO	KAAPELIHOLKKI
CABLE GUIDE	KABELFORER	KABELSTYR	ΟΔΗΓΟΣ ΚΑΛΩΔΙΟΥ	GUIA DE CABO	KAAPELIN OHJAIN
CABLE INLET	KABELLINGANG	KABELINDFØRING	ΕΙΣΟΔΟΣ ΚΑΛΩΔΙΩΝ	ENTRADA DE CABO	KAAPELIN TULOAUKKO
CABLE LUG	KABELSKO	KABELSKO	ΠΟΡΙΠΗ ΚΑΛΩΔΙΟΥ	PATILHA DE CABO	KAAPELIKENKÄ
CABLE PROTECTION	KABELBESKYTTELSE	KABELBESKYTTELSE	ΠΡΟΣΤΑΣΙΑ ΚΑΛΩΔΙΟΥ	PROTEÇÃO DO CABO	JOHDON ERISTE
CABLE STRIP	KABELBÄND	KABELBÄND	ΤΑΙΝΙΑ ΚΑΛΩΔΙΟΥ	TIRA DE CABO	KAAPELISIDE
CABLE TIE	KABELFÆSTE	KABELFÆSTE	ΔΕΤΗΡΑΣ ΚΑΛΩΔΙΟΥ	UNIÃO DE CABO	KAAPELISIDE
CABLE TIE ANCHOR	KABELFÆSTEANKER	KABELFÆSTEANKER	ΑΤΚΥΒΩΣΗ ΔΕΤΗΡΑ ΚΑΛΩΔΙΟΥ	FIXAÇÃO DA UNIÃO DE CABO	KAAPELISITTEEN KIINNITIN

ENGLISH	NEDERLANDS	FRANCAIS	DEUTSCH	ESPAÑOL	SVENSKA	ITALIANO
CAGE	KOOI	CAGE	KÄFIG	JAULA	HÄLLARE	GABBIA
CAGE NUT	KOOIMOER	ECROU PRISONNIER	KÄFIGMUTTER	TUERCA DE LA JAULA	KAPSLAD MUTTER	DADO A INTAGLI
CAM	NOK	CAME	NOCKEN	LEVA	KAM	CAMMA, ECCENTRICO
CAMSHAFT	NOKKENAS	ARBRE A CAMES	NOCKENWELLE	ARBOL DE LEVAS	KAMAXEL	ALBERO A CAMME
CAP	DEKSEL	COUVERCLE	DECKEL	TAPA	LOCK	CAPPELLO
CAP FITTING	BESCHERMHULS	PROTECTION	SCHUTZ	ENCAJE	SKYDD	ACCESSORIO DEL CAPPELLO
CAP NUT	DOPMOER	ECROU-BORGNE	KAPSELMUTTER	TUERCA CIEGA	KUPOLMUTTER	KUPOLOTTO FILETTATO
CAP SCREW	DOPSCHROEF	BOUCHON	KOPFSCHRAUBE	TORNILLO DE CABEZA	INSEXSKRUV	BULLONE SENZA DADO
CAPACITOR	CONDENSATOR	CONDENSATEUR	KONDENSATOR	CONDENSADOR	KONDENSATOR	CONDENSATORE
CAPILL. FILTER	CAPILLAIRE FILTER	FILTRE CAPILLAIRE	KAPILLARFILTER	FILTRO CAPILAR	KAPILLARFILTER	KAPILLO FILTRO CAPILLARE
CARBON	KOOLSTOF	CARBONE	KOHL	CARBÓN	KOL	CARBONIO
CARDAN	CARDAN	CARDAN	KARDAN	CARDÁN	KARDAN	ADATTATORE CARDANICO
CARDAN ADAPTOR	CARDANVERBINDING	RACCORD DE CARDAN	KARDANADAPTER	ADAPTADOR DE CARDÁN	KARDANADAPTER	GIUNTO CARDANICO
CARTRIDGE	PATROON	CARTOUCHE	PATRONE	CARTUCHO	PATRON	CARTUCCIA
CASING	BEHUIZING	BOITIER	GEHÄUSE	BLINDAJE	HÖLJE	CORPO, SCATOLA
CASTLED NUT	KROONMOER	ECROU CRENELE	KRONENMUTTER	TUERCA ENTALLADA	KRONMUTTER	DADO A CORONA
CATALYTIC EXHAUST	UITLAAT MET KATALYSATOR	ECHAPPEMENT A CATALYSEUR	KATALYSATORAUSLASS	ESCAPE CATALÍTICO	KATALYTISK AVGAS	SCARICO CATALITICO
CATCH	PAL	ARRETOIR	SPERRE	FIADOR	SPÄRR	DENTE D'ARRESTO
CENTRE BODY	MIDDENSTUK	PIECE CENTRALE	MITTELSTÜCK	CUERPO CENTRAL	CENTRAL DEL	CORPO CENTRALE
CERAMIC FIBRE	CERAMISCHE VEZEL	FIBRE CERAMIQUE	KERAMIKFASER	FIBRA CERÁMICA	KERAMISK FIBER	FIBRA CERAMICA
CHAIN	KETTING	CHAINE	KETTE	CADENA	KÄTTING	CATENA
CHAIN BOX	KETTINGKAST	BOITIER DE CHAINE	KETTENKASTEN	CAJA DE CADENAS	KEDJEHUS	SCATOLA DELLA CATENA
CHAIN SLING	KETTINGSTROP	ELINGUE	KETTENSCHLINGE	ESTROBO DE CADENA	KEDJESLINGA	IMBRAGATURA DELLA CATENA
CHANNEL WASHER	GROEFRING	RONDELLE	KANALREINIGUNGSANLAGE	LIMPIADOR DE CANALES	KANALBRICKA	RONDELLA DEL CANALE
CHARGER	LADER	CHARGEUR	LADEGERÄT	CARGADOR	LADDARE	CARICATORE
CHARGER BOX	LADERKAST	BOITE DE CHARGEUR	LADEGERÄT	CAJA DEL CARGADOR	LADDINGSDOSA	SCATOLA DEL CARICATORE
CHECKING AMMETER	AMPEREMETER OPLAADSTROOM	AMPEREMETRE DE CHARGE	AMPEREMETER LADEVORGANG	AMPERÍMETRO DEL CARGADOR	AMPEREMETER LADDARE	AMPEROMETRO DI CARICAMENTO
CHECK NUT	BORGMOER	CONTRE-ECROU	GEGENMUTTER	TUERCA DE SUJECIÓN	LÄSMUTTER	CONTRO-DADO
CHECK VALVE	TERUGSLAGKLEP	CLAPET DE RETENUE	RÜCKSCHLAGVENTIL	VÁLV. DE RETENCIÓN	BACKVENTIL	VALVOLA DI NON-RITORNO
CIRCLIP	KLEMVEER	CIRCLIP	SPRENGRING	PRESSILLA CIRCULAR	LÄSRING	FERMAGLIO CIRCOLARE
CIRCUIT BREAKER	STROOMONDERBREKER	DISJONCTEUR	AUSSCHALTER	DISYUNTOR	KRETSBRYTARE	INTERRUTTORE AUTOMATICO
CLAMP	KLEM	COLLIER	KLEMME	ABRAZADERA	KLÄMMA	MORSETTO
CLAMP NUT	KLEMMOER	ECROU DE SERRAGE	KLEMMUTTER	TUERCA DE ABRAZADERA	KLÄMBULT	DADO DI CHIUSURA
CLAMP RING	KLEMMRING	ANNEAU DE SERRAGE	KLEMMRING	ANILLO ABRAZADERA	KLÄMRING	ANELLO DI CHIUSURA
CLASP	GESP	FERMETURE	SCHNALLE	HEBILLA	HASP	FERMO
CLAW COUPLING	KLAUWKOPPELING	ACCOUPEMENT A GRIFFES	KLAUENKUPPLUNG	ACPL. DE GARRAS	KLOKOPPLING	INNESTO A DENTI
CLAW GUIDE	KLAUWGELEIDER	GUIDE DE GRIFFE	KLAUENFÜHRUNG	GUÍA DE GARRA	KLOSTYRNING	GUIDA PER GRIFFE
CLEVIS	TREKIJZER	CROCHET	SCHÄKEL	HORQUILLA	GAFFEL	CAVALLOTTO
CLEVIS PIN	KLEMPEN	PIVOT	BOLZEN	PAS. DE HORQUILLA	LEDTAPP	PERNO CON TESTA
CLIP	KLEM	ETRIER	KLEMME	GRAPA	KLÄMMA	FERMAGLIO
CLUTCH	KOPPELING	EMBRAYAGE	KUPPLUNG	EMBRAGUE	KOPPLING	INNESTO
CLUTCH HOUSING	KOPPELINGSHUIS	CARTER, EMBRAYAGE	KUPPLUNGSGEHÄUSE	CAJA DEL EMBRAGUE	KOPPLINGSBUS	ALLOGGIAMENTO DELL'INNESTO
CLUTCH HUB	KOPPELINGSNAAF	MOYEU D'EMBRAYAGE	KUPPLUNGSNABE	CUBO DE EMBRAGUE	KOPPLINGSNAV	MOZZO DELL'INNESTO
CLUTCH SHOE	KOPPELINGSSCOEN	PATIN D'EMBRAYAGE	KUPPLUNGSSCHUH	ZAPATA DE EMBRAGUE	KOPPLINGSKO	CEPPO DELL'INNESTO
COCK	KRAAN	ROBINET	HAHN	GRIFO	KRAN	CANE, RUBINETTO
COIL	SPOEL	BOBINE	SPULE	BOBINA	SPOLE	BOBINA
COLD START	KOUDE START	DEMARRAGE A FROID	KALTSTART	ARRANQUE EN FRÍO	KALLSTART	AVVIAMENTO A FREDDO
COLLAR	KRAAG	EPAULEMENT	RING	COLLARÍN	KRAGE	PIATTELLO, COLLARE
COLLECTOR	COLLECTOR	COLLECTEUR	KOLLEKTOR	COLECTOR	KOLLEKTOR	COLLETTORE
COMBI-COOLER	KOMBI-KOELER	REFROIDISSEUR COMBINE	KOMBI-KÜHLER	REFRIG. COMBINADO	KOMBI-KYLARE	REFRIGERATORE COMBINATO
COMPENSATOR	COMPENSATOR	COMPENSATEUR	KOMPENSATOR	COMPENSADOR	KOMPENSATOR	COMPENSATORE
COMPRESSION RING	COMPRESSIERING	SEGMENT DE COMPRESSION	KOMPRESSIONSRING	ARO DE COMPRESIÓN	KOMPRESSIONSRING	FASCIA ELASTICA DI TENUTA
COMPRESSION SPRING	DRUKVEER	RESSORT DE PRESSION	DRUCKFEDER	RESORTE DE COMPRESIÓN	KOMPRESSIONSFJÄDER	MOLLA DI COMPRESIONE
COMPRESSOR	COMPRESSOR	COMPRESSEUR	KOMPRESSOR	COMPRESOR	KOMPRESSOR	COMPRESSORE
COMPRESSOR ELEMENT	COMPRESSOR	COMPRESSEUR	KOMPRESSORELEMENT	ELEMENTO DE COMPRESOR	KOMPRESSORELEMENT	ELEMENTO DEL COMPRESSORE
COMPRESSOR OIL	COMPRESSOROLIE	HUILE POUR COMPRESSEUR	KOMPRESSORÖL	ACEITE COMPRESOR	KOMPRESSOROLJA	OLIO DEL COMPRESSORE
COMPRESSOR OIL PRESSURE	COMPRESSOROLIEDRUK	PRESSION HUILE DU COMPR.	KOMPRESSORÖLDRUCK	PRESIÓN DEL ACEITE COMPRESOR	KOMPRESSOROLJETRYCK	PRESIONE DELL'OLIO DEL COMPR.
COMPRESSOR SUPPORT	COMPRESSORSTEUN	SUPPORT DE COMPRESSEUR	KOMPRESSORSTÜTZE	SOPORTE DEL COMPRESOR	KOMPRESSORSTJÖD	SUPPORTO DEL COMPRESSORE
CONDENSOR	CONDENSOR	CONDENSEUR	KONDENSATOR	CONDENSADOR	KONDENSOR	CONDENSATORE
CONDUIT	LEIDING	CONDUITE	LEITUNG	CONDUCTO	LEDNING	CONDOTTO
CONDUIT FLANGE	LEIDINGFLENS	BRIDE DE CABLAGE	LEITERFLANSCH	BRIDA DE CONDUCTOS	RÖRFLÄNS	FLANGIA DEL CONDOTTO
CONDUIT GLAND	PAKKINGBUS	PRESSE-ETOUPE	STOPFBÜCHSE	PRESNAESTOPAS	RÖRPACKNING	TENUTA DEL CONDOTTO
CONE	KEGEL	CONE	KEGEL	CONO	KON	CONO
CONICAL PLUG	KEGELVORMIGE PLUG	BOUCHON CONIQUE	KONSCHER STECKER	TAPÓN CÓNICO	KONISK TAPP	SPINA CONICA
CONNECTING BOX	AANSLUITDOOS	BOITE DE RACCORDEMENT	ANSCHLUSSDOSE	CAJA DE EMPALME	KOPPLINGSDOSA	CASSETTA DI GIUNZIONE
CONNECTING CABLE	VERBINDINGSKABEL	CABLE DE CONNEXION	ANSCHLUSSKABEL	CABLE DE CONEXIÓN	KOPPLINGSKABEL	CAVO DI CONNESSIONE
CONNECTING FLEXIBLE	VERBINDINGSSLANG	FLEXIBLE DE RACCORDEMENT	FLEXIBLE VERBINDUNG	ELEMENTO FLEXIBLE DE CONEXIÓN	KOPPLINGSSLANG	FLESSIBILE DI CONNESSIONE
CONNECTING HEAD	AANSLUITING	CONNEXION	ANSCHLUSS	CONEXIÓN	ANSLUTNING	TESTA DI BIELLA
CONNECTING HOSE	VERBINDINGSSLANG	FLEXIBLE DE RACCORDEMENT	VERBINDUNGSSCHLAUCH	MANGUERA DE CONEXIÓN	ANSLUTNINGSSLANG	TUBO FLESSIBILE DI CONNESSIONE
CONNECTING NIPPLE	AANSLUITNIPPEL	DOUILLE DE RACCORDEMENT	ANSCHLUSSNIPPEL	BOQUILLA ACOPLADORA DE CONEXIÓN	ANSLUTNINGSNIPPEL	NIPPLE DI CONNESSIONE
CONNECTING PANEL	AANSLUITPANEEL	PANNEAU DE RACCORDEMENT	ANSCHLUSSTAFEL	PANEL DE CONEXIONES	ANSLUTNINGSPANEL	PANNELLO DI CONNESSIONE
CONNECTING PIECE	AANSLUITSTUK	PIECE DE RACCORDEMENT	ANSCHLUSSSTÜCK	PIEZA DE CONEXIÓN	ANSLUTNINGSSTYCKE	PEZZO DI GIUNZIONE
CONNECTING PIPE	AANSLUITPIJP	TUYAU DE RACCORDEMENT	ANSCHLUSSROHR	TUBO DE CONEXIÓN	ANSLUTNINGSRÖR	TUBO DI COLLEGAMENTO
CONNECTING PLUG	VERBINDINGSPLUG	FICHE DE CONNEXION	ANSCHLUSSSTECKER	ENCHUFE DE CONEXIÓN	ANSLUTNINGSPLUGG	SPINA DI CONTATTO
CONNECTING PROFILE	VERBINDINGSPROFIEL	PROFIL DE RACCORDEMENT	ANSCHLUSSPROFIL	PERFIL DE CONEXIÓN	ANSLUTNINGSPROFIL	PROFLO DI CONNESSIONE
CONNECTING ROD	DRUFSTANG	BIELLE	PLEUELSTANGE	BIELA	VEVSTAKE	BIELLA
CONNECTING SOCKET	VERBINDINGSMOF	DOUILLE DE RACCORDEMENT	ANSCHLUSSSTUTZEN	UNIÓN DE BRIDA Y MANGUITO	ANSLUTNINGSHYLSA	PRESA DI CONTATTO
CONNECTING TAG	VERBINDINGSSSTRIP	LANGUETTE DE RACCORDEM.	ANSCHLUSSSTÜCK	MARCA DE CONEXIÓN	ANSLUTNINGSSSTIFT	CAPOCORDA DI CONNESSIONE
CONNECTING TUBE	VERBINDINGSTEUN	TUYAU DE RACCORDEMENT	ANSCHLUSSROHR	TUBO DE CONEXIÓN	ANSLUTNINGSRÖR	TUBO DI CONNESSIONE
CONNECTION	AANSLUITING	CONNEXION	ANSCHLUSS	CONEXIÓN	ANSLUTNING	COLLEGAMENTO
CONNECTOR	CONNECTOR	CONNECTEUR	KLEMME	CONNECTOR	KONTAKTDON	CONNETTORE
CONNECTOR CAP	CONNECTORDOP	CHAPE DE CONNECTEUR	ANSCHLUSSKAPPE	CUBIERTA DEL CONECTOR	KONTAKTLOCK	CAPPELLO CONNETTORE
CONNECTOR PANEL	CONNECTORPANEEL	PANNEAU DE CONNECTEUR	KLEMMENLEISTE	PANEL DEL CONECTOR	KONTAKTPANEL	PANNELLO DI CONNESSIONE
CONNECTOR PLATE	CONNECTORPLAAT	PLAQUE DE CONNECTEUR	ANSCHLUSSPLATTE	PLACA DEL CONECTOR	KONTAKTLÁT	PIASTRA DI CONNESSIONE
CONTACT	CONTACT	CONTACT	KONTAKT	CONTACTO	KONTAKT	CONTATTO
CONTACT KEY	CONTACTSLEUTEL	CLE DE CONTACT	KONTAKTSCHLÜSSEL	LLAVE DE CONTACTO	KONTAKTNYCKEL	CHIAVE DI CONTATTO
CONTACT SCREW	CONTACTSCHROEF	VIS DE CONTACT	KONTAKTSCHRAUBE	TORNILLO DE CONTACTO	KONTAKTSKRUV	VITE DI CONTATTO
CONTACT WASHER	CONTACTPLAATJE	RONDELLE DE CONTACT	KONTAKTPLÄTTCHEN-/SCHEIBE	ARANDELA, CONTACTO	KONTAKTBRICKA	RONDELLA DI CONTATTO
CONTACTOR	SCHAKELAAR	CONTACTEUR	SCHALTER	CONTACTOR	BRYTARE	CONTATTORE
CONTAINER	CONTAINER	CONTENEUR	BEHÄLTER	CONTÁINER	BEHÅLLARE	RECIPIENTE
CONTROL BOX	CONTROLEKAST	ARMOIRE DE COMMANDE	SCHALTKASTEN	ARMARIO DE MANDO	MANÖVERSKÅP	REGOLATORE DI TENSIONE
CONTROL CUBICLE	INSTRUMENTENKAST	ARMOIRE A INSTRUMENTS	SCHALTSCHRANK	CUBÍCULO DE MANDO	KONTROLLSKÅP	ARMADIO DELLE APPAR. DI COMANDO
CONTROL LAMP	CONTROLELAMP	VOYANT	KONTROLLAMPE	LÁMPARA TESTIGO	KONTROLLLAMP	SPIA DI CONTROLLO
CONTROL MODULE	STUURMODULE	MODULE DE COMMANDE	STEUERMODUL	MÓDULO DE MANDO	KONTROLLMODUL	MÓDULO DI COMANDO
CONTROL PANEL	BEDIENINGSBORD	PANNEAU DE COMMANDE	SCHALTAFEL	PANEL DE MANDO	MANÖVERPANEL	PANNELLO DI CONTROLLO
CONTROL UNIT	CONTROLEPANEEL	TABLEAU DE COMMANDE	STEUERTAFEL	CUADRO DE MANDO	KONTROLLENHET	UNITÀ DI CONTROLLO
CONTROL VALVE	REGELKLEP	SOUPAPE DE COMMANDE	REGELVENTIL	VÁLV. DE MANDO	REGLERVENTIL	VALVOLA DI CONTROLLO
CONTROL VOLTAGE	STUURSPANNING	TENSION DE COMMANDE	STEUERSPANNUNG	VÓLTAJE DE MANDO	MANÖVERSPÄNNING	TENSIONE DI CONTROLLO
COOLANT LEVEL SENSOR	SENSOR KOELVLOEISTOF	CAPTEUR NIV. REFRIGÉRISSANT	KÜHLMITTEL FÜLLSTANDSSENSOR	SENSOR DE NIVEL DEL REFRIGERANTE	KYLVÄNIVÄIVARE	SENSORE DI LIVELLO DEL REFRIGERANTE

ENGLISH	NORSK	DANSK	ΕΛΛΗΝΙΚΑ	PORTUGUÊS	SUOMI
CAGE	BUR	HOLDER	ΚΑΘΩΣ	GAIOLA	KEHIKKO
CAGE NUT	KAPSLÆT MUTTER	MØTRIK TIL HOLDER	ΚΑΘΩΤΟ ΠΕΡΙΚΟΧΑΙΟ	PORCA DA GAIOLA	VAIPAMUTTERI
CAM	KAM	KAM	ΕΚΚΕΤΡΟ	CAME	NOKKA
CAMSHAFT	KAMAKSEL	KAMAKSEL	ΕΚΚΕΤΡΟΦΟΡΟΣ ΑΞΟΝΑΣ	ÁRVORE DE CAMES	NOKKA-AKSELI
CAP	HETTE	LÅS	ΚΑΠΑΚΙ ΣΚΕΠΑΣΜΑ ΣΚΕΠΑΣΤΡΟ	TAMPA	KANSI
CAP FITTING	BESKYTTELSEDEKSEL	LÅSEINDSATS	ΣΚΕΠΑΣΤΟ ΕΞΑΡΤΗΜΑ	ACESSÓRIO DA TAMPA	SUOJAKANSI
CAP NUT	HETTEMUTTER	LÅSEMØTRIK/TOPMØTRIK	ΣΚΕΠΑΣΤΟ ΠΕΡΙΚΟΧΑΙΟ	PORCA DA TAMPA	UMPIMUTTERI
CAP SCREW	INNVEDIG SEKSKANTSKRUE	LÅSESKRUE/CYLINDERSKRUE	ΣΚΕΠΑΣΤΟΣ ΚΟΧΛΙΑΣ	PARAFUSO DA TAMPA	KANTARUUVI
CAPACITOR	KONDENSATOR	KONDENSATOR	ΠΥΚΝΩΤΗΣ	CONDENSADOR	KONDENSAATTORI
CAPILL. FILTER ASS'Y	KAPILLÆRFILTER	KAPILLÆRFILTERSÆT	ΣΥΣΤΗΜΑ ΤΡΙΚΟΒΛΩΣΤΩ ΦΙΑΤΡΟΥ	CONJUNTO DE FILTRO CAPILAR	KAPILLAARIUSUODATIN
CARBON	KULL	KUL	ΑΝΘΡΑΚΑΣ	CARBONO	HILII
CARDAN	KARDANG	KARDAN	ΚΑΡΝΤΑΝ	JUNTA UNIVERSAL	KARDAANI
CARDAN ADAPTOR	KARDANGADAPTER	KARDANADAPTER	ΑΡΔΑΝΑΔΑΠΤΕΡ	ADAPTADOR DE JUNTA UNIVERSAL	KARDAANIN SOVITIN
CARTRIDGE	INNSATS	PATRON	ΦΥΣΙΓΓΙΟ, ΦΥΣΙΓΓΙΑ	CARTUCHO	PÄTRUUNA
CASING	HUS	KAPPE	ΚΕΛΥΦΟΣ, ΠΕΡΙΒΑΗΜΑ	INVÓLUCRO	SUOJUS
CASTLED NUT	KRONEMUTTER	KRONEMØTRIK	ΠΥΡΩΤΟ ΠΕΡΙΚΟΧΑΙΟ, ΠΥΡΩΤΟ ΠΑΞΙΜΑΜΙ	PORCA DE COROA	KRUUNUMUTTERI
CATALYTIC EXHAUST	KATALYSATOR	KATALYSATOR	ΚΑΤΑΛΥΤΙΚΗ ΕΞΑΤΜΕΣΗ	DESCARGA CATALÍTICA	KATALYSAATTORIPAKOPUTKISTO
CATCH	SPERRE	SPERRE	ΑΡΙΑΓΗ	FERROLHO	SALPA
CENTRE BODY	MIDTDEL	CENTRAL DEL	ΚΕΝΤΡΙΚΟ ΣΩΜΑ	CORPO CENTRAL	KESKIOSA
CERAMIC FIBRE	KERAMIKKFIBER	KERAMISK FIBER	ΚΕΡΑΜΙΚΗΣ ΙΝΗΣ	FIBRA CERÁMICA	KERAAMINEN KUTTU
CHAIN	KJETTING	ΚΕΔΕ	ΑΛΥΣΙΑ	CORRENTE	KETJU
CHAIN BOX	KJEDEKASSE	ΚΕΔΕΚΑΣΣΕ	ΚΙΒΩΤΙΟ ΑΛΥΣΙΑΣ	CAIXA DE CORRENTE	KETJUOKOTELO
CHAIN SLING	KJETTINGSTROPP	ΚΕΔΕΣΤΡΟΠ	ΑΟΡΤΗΡΑΣ ΑΛΥΣΙΑΣ	ESTROPO DE CORRENTE	KETJURAKSI
CHANNEL WASHER	KANALSKIVE	KANALSKIVE	ΑΥΛΑΚΩΤΗ ΡΟΔΕΛΑ	DISPOSITIVO DE LIMPEZA DE CANAL	URIFETTU ALUSLAATTA
CHARGER	LASTER	LADER	ΦΟΡΤΙΣΤΗΣ	CARREGADOR	LATURI
CHARGER BOX	LADEBOKS	LADEBOKS	ΚΙΒΩΤΙΟ ΦΟΡΤΙΣΤΗ	CAIXA DO CARREGADOR	LATURIKOTELO
CHARGING AMMETER	LADEAMPERMETER	LADEAMPEREMETER	ΑΜΠΕΡΟΜΕΤΡΟ ΦΟΡΤΙΣΗΣ	AMPERÍMETRO DE CARGA	LATAUSVIRRAN AMPEERIMITTARI
CHECK NUT	LÅSEMUTTER	KONTRAMØTRIK	ΚΟΝΤΡΑ ΠΕΡΙΚΟΧΑΙΟ, ΚΟΝΤΡΑ ΠΑΞΙΜΑΜΙ	PORCA DE APERTO (CONTRAPORCA)	LUKKOMUTTERI
CHECK VALVE	TILBAKESLAGSVENTIL	KONTROLVENTIL	ΑΝΤΙΠΙΣΤΡΟΦΗ ΒΑΛΒΙΔΑ	VÁLVULA ANTI RETORNO	TAKAISUVENTTILI
CIRCLIP	LÅSERING	LÅSERING	ΑΣΦΑΛΙΣΤΙΚΟΣ ΠΑΡΑΚΥΚΛΟΣ	ANEL DE RETENÇÃO	LUKKORENGAS
CIRCUIT BREAKER	KRETSBRYTER	STRØMafbryder	ΑΣΦΑΛΙΣΤΙΚΟ ΚΟΠΤΗΣ	DISJUNTOR	VIRRANKATKAISIN
CLAMP	KLEMME	KLEMME	ΣΦΙΚΤΗΡΑΣ	BRACEDEIRA	KINNITIN
CLAMP NUT	KLEMMEMUTTER	SPÆNDEMØTRIK	ΠΕΡΙΚΟΧΑΙΟ ΣΦΙΚΤΗΡΑ	PORCA DE SEGURANÇA	KIRSTINMUTTERI
CLAMPING RING	FESTERING	KLEMRING	ΔΑΚΤΥΛΙΟΣ ΣΥΣΦΙΣΤΗΣ	ANEL DE FIXAÇÃO	KIRSTYSSRENGAS
CLASP	HASPE	KRAMPE/SPENDE	ΑΡΙΑΓΗ	GARRA	HAKA
CRAW COUPLING	KLOKOPLING	KLOSAMLING	ΣΥΝΔΕΣΜΟΣ ΣΙΑΓΩΝΩΝ	ACOPLAMENTO DE GARRAS	KYNSIKINNITIN
CRAW GUIDE	KLOSTYRING	KLOSTYR	ΟΔΗΓΟΣ ΣΙΑΓΩΝΩΝ	GUIA DE GARRA	KYNNEN OHJAIN
CLEVIS	SJAKKEL	GAFFEL	ΑΣΦΑΛΕΙΑ	FORQUILHA	HAARUKKA
CLEVIS PIN	SJAKKELBOLT	GAFFELSTIFT	ΠΕΙΡΟΣ ΑΣΦΑΛΙΣΤΗΣ	PINO DA FORQUILHA	TAPPI
CLIP	KLEMME	KLEMME	ΑΑΒΙΑ	PINÇA	PIDIKE
CLUTCH	CLUTCH	KOBLING	ΣΥΜΠΛΗΚΤΗΣ	EMBRAIAGEM	KYTKIN
CLUTCH HOUSING	KOPLINGSHUS	KOBLINGSKASSE	ΚΕΛΥΦΟΣ ΣΥΜΠΛΗΚΤΗ	CAIXA DE EMBRAIAGEM	KYTKINOKOTELO
CLUTCH HUB	KOPLINGSNAV	KOBLINGSNAV	ΠΑΛΗΜΝΗΣ ΣΥΜΠΛΗΚΤΗ	CUBO DE EMBRAIAGEM	KYTKINNAPA
CLUTCH SHOE	KOPLINGSKKO	KOBLINGSKKO	ΣΙΑΤΩΝΑ ΣΥΜΠΛΗΚΤΗ	PASTILHA DA EMBRAIAGEM	KYTKINKENKÄ
COCK	KRAN	HANE	ΔΙΚΑΕΙΔΑ	TORNEIRA	HANA
COIL	SPOLE, COIL	SPOLE	ΠΗΝΙΟ	BOBINA	KELA, KÄÄMI
COLD START	KALDSTART	KOLDSTART	ΨΥΧΡΗ ΕΚΚΙΝΗΣΗ	ARRANQUE A FRIO	KYLMÄKÄYNNISTYS
COLLAR	MANSJETT	KRAVE	ΚΟΛΛΑΡΟ	ARO	KAULUS
COLLECTOR	KOLLEKTOR	STRØMFAKTAGER	ΣΥΛΛΕΚΤΗΣ	COLLECTOR	KOLLEKTORI
COMBI-COOLER	KOMBIKJØLER	KOMBI-AFKØLER	ΨΥΚΤΗΣ ΣΥΝΑΥΑΣΜΕΝΗΣ ΛΕΙΤΟΥΡΓΙΑΣ	REFRIGERADOR COMBINADO	YHDISTELMÄJÄÄHDYTIM
COMPENSATOR	KOMPENSATOR	KOMPENSATOR	ΑΝΤΙΤΑΘΜΙΣΤΗΣ	COMPENSADOR	TASAUSLAITE
COMPRESSION RING	KOMPRESSIÖNSRING	KOMPRESSIÖNSRING	ΔΑΚΤΥΛΙΟΣ ΣΥΜΠΙΕΣΗΣ	SEGMENTO DE COMPRESSÃO	PURISTUSRENGAS
COMPRESSION SPRING	TRYKKFJÆR	KOMPRESSIÖNSFJEDER	ΕΛΑΤΗΡΙΟ ΣΥΜΠΙΕΣΗΣ	MOLA DE COMPRESSÃO	PURISTUSJOUSI
COMPRESSOR	KOMPRESSOR	KOMPRESSOR	ΣΥΜΠΙΕΣΤΗΣ	COMPRESSOR	KOMPRESSORI
COMPRESSOR ELEMENT	KOMPRESSORELEMENT	KOMPRESSORELEMENT	ΣΤΟΙΧΕΙΟ ΣΥΜΠΙΕΣΤΗ	ELEMENTO DO COMPRESSOR	KOMPRESSORELEMENTTI
COMPRESSOR OIL	KOMPRESSOROLJE	KOMPRESSOROLJE	ΕΛΑΙΟ ΣΥΜΠΙΕΣΤΗ	ÓLEO DO COMPRESSOR	KOMPRESSORIÖLJY
COMPRESSOR OIL PRESSURE	KOMPRESSOROLIETRYKK	KOMPRESSOROLIETRYK	ΠΙΣΤΗ ΕΛΑΙΟΥ ΣΥΜΠΙΕΣΤΗ	PRESSÃO DO ÓLEO DO COMPRESSOR	KOMPRESSORIN ÖLJYNPAIN
COMPRESSOR SUPPORT	KOMPRESSORSTØTTE	KOMPRESSORSTØTTE	ΒΑΣΗ ΣΥΜΠΙΕΣΤΗ	APOIO DO COMPRESSOR	KOMPRESSORIN KANNATIN
CONDENSOR	KONDENSATOR	KONDENSATOR	ΣΥΜΠΥΚΝΩΤΗΣ	CONDENSADOR	LAUHUTIN
CONDUIT	LEDNING	KABEL	ΑΓΩΓΟΣ	CONDUTA	PUTKIJOHTO
CONDUIT FLANGE	LEDNINGSFLENS	KONDENSATORFLANGE	ΦΑΝΤΖΑ	FLANGE DE CONDUTA	PUTKIJOHDON LAIPPA
CONDUIT GLAND	LEDNINGSPAKNING	KABELKRAVE	ΜΟΝΩΣΗ ΑΓΩΓΟΥ	CASQUILHO DE CONDUTA	PUTKIJOHDON TIIVISTYSHOLKKI
CONE	KONUS	KONUS	ΚΩΝΟΣ	CONE	KARTIO
CONICAL PLUG	KONISK PLUGG	KEGLEFORMET STIK	ΚΩΝΙΚΟ ΒΥΣΜΑ	TAMPÃO CÓNICO	KARTIOTULPPA
CONNECTING BOX	KOPLINGSBOKS	TILSLUTNINGSDÅSE/STIKDÅSE	ΚΟΥΤΙ ΣΥΝΔΕΣΗΣ	CAIXA DE DERIVAÇÃO	KYTKENTÄRASIA
CONNECTING CABLE	TILSLUTNINGSKABEL	TILSLUTNINGSKABEL	ΣΥΝΔΕΤΙΚΟ ΚΑΛΩΔΙΟ	CABO DE LIGAÇÃO	YHDYSKAAPELI
CONNECTING FLEXIBLE	FLEKSIBEL TILKOPLING	FLEKSIBEL TILSLUTNING	ΕΥΚΑΜΠΤΟΣ ΣΥΝΔΕΣΜΟΣ	UNIÃO FLEXÍVEL	YHDYSLEIKU
CONNECTING HEAD	TILKOPLING	TILSLUTNING	ΚΕΦΑΛΗ ΣΥΝΔΕΣΗΣ	FICHA	LIITÄNTÄ
CONNECTING HOSE	TILSLUTNINGSSLANG	TILSLUTNINGSSLANG	ΕΛΑΣΤΙΚΟΣ ΣΩΛΗΝΑΣ ΣΥΝΔΕΣΗΣ	TUBO DE LIGAÇÃO	YHDYSLEIKU
CONNECTING NIPPLE	TILKOPLINGSNIPP	TILSLUTNINGSNIPP	ΣΥΝΔΕΤΙΚΟΣ ΜΑΣΤΟΣ	BOCAL DE UNIÃO	LIITINNIPPA
CONNECTING PANEL	KOPLINGSANEL	TILSLUTNINGSPANEL	ΠΙΝΑΚΑΣ ΣΥΝΔΕΣΗΣ	PAINEL DE DERIVAÇÃO	KYTKENTÄTAULU
CONNECTING PIECE	TILKOPLINGSSTYKKE	TILSLUTNINGSDDEL	ΤΜΗΜΑ ΣΥΝΔΕΣΗΣ	FICHA	YHDYSKAPPALE
CONNECTING PIPE	TILKOPLINGSRØR	TILSLUTNINGSRØR	ΣΩΛΗΝΑΣ ΣΥΝΔΕΣΗΣ	TUBO DE LIGAÇÃO	YHDYSPUTKI
CONNECTING PLUG	TILSLUTNINGSLUGG	TILSLUTNINGSTIK	ΣΥΝΔΕΤΙΚΟ ΒΥΣΜΑ	FICHA DE LIGAÇÃO	PISTOKE
CONNECTING PROFILE	TILKOPLINGSPROFIL	TILSLUTNINGSPROFIL	ΣΥΝΔΕΤΙΚΟ ΕΞΑΡΤΗΜΑ	PERFIL DE LIGAÇÃO	YHDYSPROFILLI
CONNECTING ROD	VEIVSTANG	TRÆKSTANG/FORBINDELSSTANG	ΡΑΒΔΟΣ ΣΥΝΔΕΣΗΣ	BIELA / BARRA DE UNIÃO	KIERTOKANKI
CONNECTING SOCKET	TILKOPLINGSFESTE	TILSLUTNINGSSTIK	ΥΠΟΔΟΧΗ ΣΥΝΔΕΣΗΣ	TOMADA DE LIGAÇÃO	LIITÄNTÄVAOSTAKE
CONNECTING TAG	TILKOPLINGSMERKE	TILSLUTNINGSKABELSKO	ΣΥΝΔΕΤΙΚΟ ΠΙΠΤΥΓΙΟ	ETIQUETA DE LIGAÇÃO	YHDYSLUSKA
CONNECTING TUBE	TILKOPLINGSRØR	TILSLUTNINGSRØR	ΣΥΝΔΕΤΙΚΟΣ ΣΩΛΗΝΑΣ	TUBO DE LIGAÇÃO	YHDYSLEIKU
CONNECTION	TILKOPLING	TILSLUTNING	ΣΥΝΔΕΣΗ	UNIÃO	LIITÄNTÄ
CONNECTOR	KONTAKT	MUFFE/FORBINDELSKLEMM	ΣΥΝΔΕΤΗΡΑΣ, ΚΟΝΕΚΤΟΡΑΣ	FICHA	LIITIN
CONNECTOR CAP	TILKOPLINGSHETTE	TILKOBLINGSHETTE	ΚΑΛΥΜΜΑ ΣΥΝΔΕΤΗΡΑ	TAMPA DO DISPOSITIVO DE JUNÇÃO	LIITTIMEN KANSI
CONNECTOR PANEL	TILKOPLINGSANEL	TILKOBLINGSANEL	ΠΙΝΑΚΑΣ ΣΥΝΔΕΤΗΡΑ	PAINEL DO DISPOSITIVO DE JUNÇÃO	LIITÄNTÄPANEELI
CONNECTOR PLATE	TILKOPLINGSPLATE	TILKOBLINGSPLADE	ΠΛΑΚΑ ΣΥΝΔΕΤΗΡΑ	PLACA DO DISPOSITIVO DE JUNÇÃO	LIITÄNTÄLEVY
CONTACT	KONTAKT	KONTAKT	ΕΠΑΦΗ	CONTACTO	KOSKETIN
CONTACT KEY	TENNINGSNØKKEL	KONTAKT/NØGDEL	ΚΑΛΕΙΜ ΕΠΑΦΗΣ	CHAVE DE CONTACTO	KÄYNNISTYSAVAIN
CONTACT SCREW	KONTAKTSKRUE	KONTAKTSKRUE	ΚΟΧΛΙΑΣ ΕΠΑΦΗΣ	PARAFUSO DE CONTACTO	LIITINRUUVI
CONTACT WASHER	KONTAKTSKIVE	KONTAKTSPÆNDESKIVE	ΡΟΔΕΛΑ ΕΠΑΦΗΣ	ANILHA DE CONTACTO	KOSKETINLEVY
CONTACTOR	KONTAKTOR	KONTAKTOR	ΕΠΑΦΕΑΣ	CONTACTOR	KONTAKTORI
CONTAINER	BEHOLDER	BEHOLDER	ΔΟΧΕΙΟ	CONTENTOR	SÄILIÖ
CONTROL BOX	KONTROLLSKAP	KONTROLBOKS	ΚΙΒΩΤΙΟ ΕΛΕΓΧΟΥ	CAIXA DE COMANDO	OHJAUSKOTELO
CONTROL CUBICLE	KONTROLLKABINETT	KONTROLLSKAB	ΚΟΥΒΟΥΚΛΙΟ ΕΛΕΓΧΟΥ	ARMÁRIO DE COMANDO	OHJAUSKAAPI
CONTROL LAMP	KONTROLLLAMPE	KONTROLLLAMPE	ΑΥΧΝΙΑ ΕΛΕΓΧΟΥ	LÂMPADA DE CONTROLE	MERKKIVALO
CONTROL MODULE	KONTROLLMODUL	KONTROLLMODUL	ΜΟΝΑΔΑ ΕΛΕΓΧΟΥ, ΣΥΣΤΗΜΑ ΕΛΕΓΧΟΥ	MÓDULO DE COMANDO	OHJAINLAITE
CONTROL PANEL	KONTROLLPANEL	KONTROLLPANEL	ΠΙΝΑΚΑΣ ΕΛΕΓΧΟΥ	PAINEL DE COMANDO	OHJAUSTAULU
CONTROL UNIT	KONTROLLENHET	KONTROLLENHED	ΜΟΝΑΔΑ ΕΛΕΓΧΟΥ, ΣΥΣΤΗΜΑ ΕΛΕΓΧΟΥ	UNIDADE DE COMANDO	OHJAUSYKSIKÖ
CONTROL VALVE	REGULERINGSVENTIL	KONTROLVENTIL	ΒΑΛΒΙΔΑ ΕΛΕΓΧΟΥ	VÁLVULA DE CONTROLE	SÄÄTÖVENTTILI
CONTROL VOLTAGE	STYRSPENNING	KONTROLSPÆNDING	ΤΑΣΗ ΕΛΕΓΧΟΥ	TENSÃO DE CONTROLE	SÄÄTÖJÄNNITE
COOLANT LEVEL SENSOR	KJØLEVÆSKENIVÅSENSOR	KØLEVÆSKENIVEAUSENSOR	ΑΙΣΘΗΤΗΡΑΣ ΣΤΑΘΜΗΣ ΨΥΚΤΙΚΟΥ ΥΓΡΟΥ	SENSOR DO NÍVEL DO LÍQ. DE REFR.	JÄÄHDYTYSNESTEEN ANTURI

ENGLISH	NEDERLANDS	FRANCAIS	DEUTSCH	ESPAÑOL	SVENSKA	ITALIANO
COOLER	KOELER	REFROIDISSEUR	KÜHLER	REFRIGERADOR	KYLARE	REFRIGERATORE
COOLER ADAPTOR	VERBINDINGSSTUK KOELER	ADAPTATEUR REFRROIDISSEUR	KÜHLERADAPTER	ADAPTADOR DEL REFRIGERANTE	KYLARADAPTER	ADATTATORE DEL REFRIGERATORE
COOLER CORE	KOELERKERN	NOYAU DE REFRROIDISSEMENT	KÜHLERKERN	NÚCLEO DEL REFRIG	KYLARKÄRNA	MASSA RADIANTE REFRIG
COOLER COVER	KOELERDEKSEL	COUVERCLE DE REFRROIDISS.	KÜHLERABDECKUNG	CUBIERTA DEL REFRIG	KYLARLOCK	COPERCHIO DEL REFRIGERATORE
COOLER ELEMENT	KOELERELEMENT	ELEMENT REFRROIDISSEUR	KÜHLERELEMENT	ELEMENTO DEL REFRIG	KYLARELEMENT	ELEMENTO REFRIGERATORE
COOLER FRAME	KOELERFRAME	CHASSIS REFRROIDISSEUR	KÜHLERRAHMEN	MARCO DEL REFRIGERANTE	KYLARRAM	TELAIO DEL REFRIGERANTE
COOLER HOUSING	KOELERHUIS	CARTER REFRROIDISSEUR	KÜHLERGEHÄUSE	CAJA DEL REFRIG	KYLARHUS	ALLOGGIAMENTO REFRIG
COOLER PACK	KOELER	JEU REFRROIDISSEUR	KÜHLERSATZ	CONJUNTO DEL REFRIGERANTE	KYLARPAKET	CONTENITORE DEL REFRIGERATORE
COOLER PLATE	KOELPLAAT	PLAQUE DE REFRROIDISSEUR	KÜHLERPLATTE	PLACA DEL REFRIGERANTE	KYLARPLÅT	PIASTRA DEL REFRIGERANTE
COOLER SHELL	KOELERMANTEL	ENVELOPPE DE REFRROIDISS.	KÜHLERMANTEL	CASCO DEL REFRIG	KYLARHÖLJE	MANTELO DEL REFRIGERATORE
COOLER SUPPORT	STEUN KOELER	SUPPORT DE REFRROIDISSEUR	KÜHLERSTÜTZE	SOPORTE DEL REFRIGERANTE	KYLARSTÖD	SUPPORTO DEL REFRIGERANTE
COOLER TUBE	KOELBUIS	TUYAU DE REFRROIDISSEUR	KÜHLERROHR	TUBO DEL REFRIGERANTE	KYLARRÖR	TUBO DEL REFRIGERANTE
COOLING DUCT	KOELKANAAL	CANAL DE REFRROIDISSEUR	KÜHLKANAL	CONDUCTO DE REFRIG	KYLARLEDNING	CONDOTTO DI RAFFREDDAMENTO
COOLING ELEMENT	KOELELEMENT	ELEMENT REFRROIDISSEUR	KÜHLELEMENT	ELEMENTO DE REFRIG	KYLARELEMENT	ELEMENTO DI RAFFREDDAMENTO
COOLING UNIT	KOELER	GROUPE REFRROIDISSEUR	KÜHLER	UNIDAD DE REFRIG	KYLARE	UNITÀ DI RAFFREDDAMENTO
COPNUT	KEGELMOER	ECROU	KAPSELMUTTER	TUERCA DE CANILLAS	SPOLMUTTER	DADO DELLA BOBINA
CORD	PAKKINGSSTUK	FICELLE OBTURATRICE	DICHTUNGSSCHNUR	CUERDA DE JUNTA	TÄTNINGSGARN	CORDONE
CORE	KERN	NOYAU	KERN	NÚCLEO	KÄRNA	NUCLEO
CORE PLUG	KERNPLUG	BOUCHON DU NOYAU	KERNSTOPFEN	TAPÓN TUBULAR	KÄRNPLUGG	TAPPO DELLA MASSA RADIANTE
CORK JOINT	KURKVERBINDING	JOINT DE LIEGE	KORKVERBINDUNG	UNIDAD DE CORCHO	KORKLED	GIUNTO IN SUGHERO
CORNER	HOEK	ANGLE	ECKE	ESQUINA	HÖRN	ANGOLO
CORNER PANEL	HOEKPANEEL	PANNEAU ANGULAIRE	ECKBLECH	PANEL ANGULAR	HÖRNANDEL	PANNELLO ANGOLARE
CORNER SHELL	HOEKPANEEL	ENVELOPPE ANGULAIRE	ECKSTÜCK	REVESTIMIENTO DE ESQUINAS	HÖRNSKAL	GUSCIO AD ANGOLO
CORROSION RESISTOR	CORROSIEWEREND MIDDEL	RESISTANCE ANTI-CORROSION	KORROSIONSSCHUTZ	RESISTENCIA DE CORROSIÓN	KORROSIONSMOTSTÅND	RESISTENZA ALLA CORROSIONE
COUNTER WEIGHT	TEGENGEWICHT	CONTREPOIDS	GEGENGEWICHT	CONTRAPESO	MOTVIKT	CONTRAPPESO
COUPLING	KOPPELING	ACCOUPEMENT	KUPPLUNG	ACOPAMIENTO	KOPPLING	GIUNTO
COUPLING ADAPTOR	KOPPELINGSVERBINDING	ADAPTATEUR D'ACCOUPL.	KUPPLUNGSADAPTER	ADAPTADOR DE ACOPLAM.	KOPPLINGSADAPTER	ADATTATORE DEL GIUNTO
COUPLING BOX	KOPPELMOF	DOUILLE D'ACCOUPEMENT	KUPPLUNGSSCHEIBE	CAJA DE ACOPL.	KOPPLINGSBOX	MANICOTTO D'ACCOPIAMENTO
COUPLING DISK	KOPPELINGSSCHIJF	DISQUE D'ACCOUPEMENT	KUPPLUNGSSCHEIBE	DISCO DE ACOPL.	KOPPLINGSKIVA	DISCO D'ACCOPIAMENTO
COUPLING DRIVER	AANDRIJVING KOPPELING	ENTRAINEUR D'ACCOUPL.	KUPPLUNGSTREIBER	ACCIONADOR ACOPL.	KOPPL. MEDBRING	ELEMENTO CONDUTTORE DEL GIUNTO
COUPLING ELEMENT	KOPPELINGSELEMENT	ELEMENT D'ACCOUPEMENT	KUPPLUNGSELEMENT	ELEMENTO DE ACOPL.	KOPPLINGSSELEMENT	ELEMENTO D'ACCOPIAMENTO
COUPLING FLANGE	KOPPELINGSFLENS	BRIDE D'ACCOUPEMENT	KUPPLUNGSFLANSCH	BRIDA DE ACOPL.	KOPPLINGSFLÅNS	FLANGIA D'ACCOPIAMENTO
COUPLING GUARD	KOPPELINGSSCHERM	PROTECTEUR D'ACCOUPL.	KUPPLUNGSSCHUTZ	PROTECTOR DE ACOPL.	KOPPLINGSKYDD	PROTEZIONE DEL GIUNTO
COUPLING HALF	KOPPELINGSHELFT	DEMI-ACCOUPEMENT	KUPPLUNGSHÄLFTE	SEMIACOPLAMIENTO	KOPPLINGSHALVA	SEMI-GIUNTO
COUPLING HEAD	KOPPELINGSHOOFD	TÊTE D'ACCOUPEMENT	KUPPLUNGSKOPF	CABEZA DE ACOPLAMIENTO	KOPPLINGSHUVUD	TESTA DEL GIUNTO
COUPLING HOUSING	KOPPELINGSHUIS	CARTER D'ACCOUPEMENT	KUPPLUNGSGEHÄUSE	RECINTO DEL ACOPL.	KOPPLINGSHUS	ALLOGGIAMENTO DEL GIUNTO
COUPLING HUB	KOPPELINGSNAAF	MOYEU D'ACCOUPEMENT	KUPPLUNGSNABE	CUBO DE ACOPL.	KOPPLINGSNAV	MOZZO DEL GIUNTO
COUPLING LINK	KOPPELHAAK	JOINT D'ACCOUPEMENT	KUPPELGLIED	GANCHO DE TRACCIÓN	KOPPLINGSLÄNK	MAGLIONE
COUPLING NUT	KOPPELINGSMOER	ECROU D'ACCOUPEMENT	KUPPLUNGSMUTTER	TUERCA DE ACOPL.	KOPPLINGSMUTTER	DADO D'ACCOPI.
COUPLING PLATE	KOPPELINGSPLAAT	PLAQUE D'ACCOUPEMENT	KUPPLUNGSPLATTE	PLACA DE ACOPL.	KOPPLINGSPLÅT	PIASTRA D'ACCOPIAMENTO
COUPLING PLUG	KOPPELINGSPLUG	BOUCHON D'ACCOUPEMENT	KUPPLUNGSSTOPFEN	TAPÓN DE ACOPL.	KOPPLINGSPROPP	SPINA D'ACCOPI.
COUPLING RING	KOPPELINGSRING	ANNEAU D'ACCOUPEMENT	KUPPLUNGSRING	ANILLO DE ACOPL.	KOPPLINGSRING	ANELLO DI UNIONE
COVER	DEKSEL	COUVERCLE	DECKEL	TAPA	KÅPA	COPERCHIO
COVER FLANGE	DEKSELFLENS	BRIDE DE COUVERCLE	DECKELFLANSCH	BRIDA DE TAPA	LOCKFLÅNS	FLANGIA DEL COPERCHIO
COVER FRONT	DEKSEL VOORZIJDE	COUVERTURE FRONTALE	VORDERE ABDECKUNG	FRONTAL DE LA CUBIERTA	FRAMHUV	COPERCHIO ANTERIORE
COVER INLET	DEKSEL VAN INLAAT	COUVERTURE DE L'ENTREE	EINLASSABDECKUNG	ENTRADA DE LA CUBIERTA	INLOPPSHUV	COPERCHIO DEL ENTRATA
COVER LOWER	BENEDENDEKSEL	COUVERTURE INFERIEURE	UNTERE ABDECKUNG	BAJOS DE LA CUBIERTA	NEDRE HUV	COPERCHIO INFERIORE
COVER PANEL	AFDEKPAANEEL	PANNEAU DE COUVERTURE	BEDIENUNGSPULTABDECKUNG	PANEL DE LA CUBIERTA	PANELHUV	PANNELLO COPERCHIO
COVER PLATE	AFDEKPLAAT	PLAQUE DE COUVERTURE	ABDECKUNG	PLACA DE LA CUBIERTA	TÄCKPLÅT	PIASTRA COPERCHIO
COVER PLUG	AFDEKPLUG	BOUCHON DE COUVERTURE	STECKERABDECKUNG	ENCHUFE DE LA CUBIERTA	HUVKONTAKT	PRESA COPERCHIO
COVER REAR	ACHTERDEKSEL	COUVERTURE ARRIERE	HINTERE ABDECKUNG	POSTERIOR DE LA CUBIERTA	BAKHUV	COPERCHIO POSTERIORE
COVER SHEET	AFDEKPLAAT	PLAQUE DE COUVERTURE	ABDECKPLATTE	HOJA DE LA CUBIERTA	TÄCKSKIKT	LAMIERA COPERCHIO
COVER UPPER	BOVENDEKSEL	COUVERTURE SUPERIEURE	OBERE ABDECKUNG	ALTOS DE LA CUBIERTA	ÖVRE HUV	COPERCHIO SUPERIORE
CRANK	KRUK	MANIVELLE	KURBEL	MANIVELA	VEV	MANOVELLA
CRANKCASE	CARTER	CARTER	KURBELGEHÄUSE	CÁRTER	VEVHUS	BASAMENTO
CRANKCASE BASE	VOETSTUK CARTER	EMBASE DU CARTER	BODEN, KURBELG.	BASE DEL CÁRTER	BAS, VEVHUS	FONDO DEL BASAMENTO
CRANKCASE HEATER	CARTERVERWARMER	RÉCHAUFFEUR DE CARTER	KURBELGEH.-HEIZ.	CALENT. DEL CÁRTER	VEVHUSUPP.VÄRM.	RISCALDATORE DEL BASAMENTO
CRANKSHAFT	KRUKAS	VILEBREQUIN	KURBELWELLE	CIGÜEÑAL	VEVAXEL	ALBERO A GOMITI
CROSS	KRUIS	RACCORD EN CROIX	KREUZ	CRUZ DE ACOPLAMIENTO	KORS	RACCORDO A 4 VIE
CROSS ANGLE	DWARSHOEK	ANGLE DE CROISEMENT	QUERWINKEL	ÁNGULO CRUZADO	KORSVINKEL	ANGOLO INCROCIATO
CROSS BAFFLE	DWARSPANEEL	DEFLECTEUR TRANSVERSALE	UMLENKSEGMENT	DEFLECTOR CRUZADO	KORSPLÅT	DEFLETTORE A CROCE
CROSS BEAM	DWARSBALK	TRAVERSE	QUERBALKEN	HAZ CRUZADO	TVÄRBALK	TRAVE INCROCIATA
CROSS COUPLING	KRUISKOPPELING	RACCORD EN CROIX	KREUZKUPPLUNG	ACOP. EN CRUZ	KORSKOPPLING	ACCOPIAMENTO A CROCE
CROSS MEMBER	DWARSELEMENT	MEMBRE	QUERTRÄGER	TRAVESAÑO	TVÄRBALK	TRAVERSA
CROSS PLATE	DWARSPLAAT	PLAQUE TRANVERSALE	QUERPLATTE	PLACA CRUZADA	TVÄRPLÅT	PIASTRA A CROCE
CROSS TUBE	DWARSPIP	TUBE EN CROIX	SPURSTANGE	TUBO CRUZADO	KORSRÖR	TUBO A CROCE
CROSSHEAD	KRUISKOP	CROSSE DE PISTON	KREUZKOPF	CRUCETA	TVÄRSTYCKE	TESTA A CROCE
CROSSHEAD LINER	KRUISKOPVOERING	GARNITURE DE CROSSE	KREUZKOPFFUTTER	FORRO DE CRUCETA	TVÄRSTYCKESFODER	SPESORE DELLA TESTA A CROCE
CROSSHEAD PIN	KRUISKOPPEN	AXE DE CROSSE	KREUZKOPFBOLZEN	PASADOR DE CRUCETA	TVÄRSTYCKSTAPP	SPINOTTO DELLA TESTA A CROCE
CU PIPE	KOPPEREN LEIDING	TUYAU CU	KUPFERROHR	TUBERÍA DE COBRE	KUBIKRÖR	TUBO IN RAME
CU WASHER	KOPPEREN AFDICHTINGSRING	RONDELLE CU	UNTERLEGSCHLEIBE	ARANDELA DE COBRE	KUBIKBRICKA	RONDELLA IN RAME
CUBICLE	KAST	ARMOIRE	KASTEN	CUBÍCULO	SKÅP	ARMADIO
CUP	KOM	GODET	BEHÄLTER	CUBETA	BÅGARE	COPPA
CURRENT TRANSFORMER	STROOMTRANSFORMATOR	TRANSFORM. DE COURANT	STROMWANDLER	TRANSFORM. DE CORRIENTE	STRÖM	TRASFORMATORE DI CORRENTE
CUTTING RING	SNIJRING	ANNEAU MORDANT	SCHNEIDRING	ANILLO DE CORTE	SKÄRRING	ANELLO DI TAGLIO
CYCLONE	CYCLON		ZYKLON	CICLÓN	CYKLON	CICLONE
CYLINDER	CILINDER	CYLINDRE	ZYLINDER	CILINDRO	CYLINDER	CILINDRO
CYLINDER BASE	CIL. BODEM	FOND DE CYLINDRE	ZYLINDERFLANSCH	FONDO DE CILINDRO	CYL. LOCK.NEDRE	BASE DEL CILINDRO
CYLINDER COVER	CILINDERDEKSEL	COUVERCLE DE CYLINDRE	ZYLINDERDECKEL	TAPA DE CILINDRO	CYLINDERLUCKA	COPERCHIO DEL CILINDRO
CYLINDER HEAD	CILINDERKOP	CULASSE	ZYLINDERKOPF	CABEZA DE CILINDRO	CYL. LOCK, ÖVRE	TESTA DEL CILINDRO
CYLINDER HOUSING	CILINDERHUIS	BOITIER DE CYLINDRE	ZYLINDERGEHÄUSE	CARCARA DEL CILINDRO	CYLINDERHUS	ALLOGGIAMENTO DEL CILINDRO
CYLINDER PIN	CILINDERPEN	GOÛPILLE DE CYLINDRE	ZYLINDERSTIFT	PASADOR DEL CILINDRO	CYLINDERKIST STIFT	SPINA DEL CILINDRO
CYLINDER VALVE	CILINDERKLEP	SOUPEPE DE CYLINDRE	ZYLINDERVENTIL	VÁLVULA DEL CILINDRO	CYLINDERVENTIL	VALVOLA DEL CILINDRO

D

DAMPER	DEMPEL	AMORTISSEUR	DÄMPFER	AMORTIGUADOR	DÄMPARE	AMMORTIZZATORE
DAMPING DISC	DEMPELSCHIJF	DISQUE AMORTISEUR.	DÄMPFERSCHLEIBE	DISCO AMORTIGUADOR	DÄMPNINGSSKIVA	DISCO SMORZATORE
DATA LABEL	TYPEPLAATJE	PLAQUETTE DE CARACT.	DATENETIKETT	ETIQUETA DE DATOS	DATASKYLT	ETICHETTA DATI
DATA PLATE	IDENTIFICATIEPLAATJE	PLAQUE DE CARACT.	TYPENSCHILD	PLACA DE DATOS	DATASKYLT	TARGHETTA DATI
DDC SET	DDC SET	JEU DDC	DDC-SATZ	EQUIPO DE CONTROL DIRECTO DIG	DDC-SATS	LETTORE DI REGOL. NUM. DIRETTA
DDEC READER	DDEC READER	LECTEUR DDEC	DDEC-LESEGERÄT	LECTOR DDEC	DDEC-AVLÄSARE	SET DI REGOLAZ. NUM. DIRETTA
DECAL	ZELFKLEVER	ETIQUETTE	ABZIEHBILD	ETIQUETA ADHESIVA	SKYLT	DECALCOMANIA
DEFAULT ITEM	VOORINSTELLING	POINT DEFAUT	STANDARDENSTELLUNG	VALOR POR DEFECTO	STANDARDDEL	ELEMENTO DI "DEFAULT"
DEFLECTOR	AFBUIGINRICHTING	DEFLECTEUR	ABWEISER	DEFLECTOR	DEFLEKTOR	DEFLETTORE
DELIVERY DISC	UITLAATKLEPPLAAT	DISQUE REFOULEMENT	DRUCKVENTILTELLER	DISCO, VÁLV. IMPULS.	TRYCKVENTILSKIVA	DISCO DI MANDATA
DELIVERY PIPE	UITLAATPIJP	TUYAU DE REFOULEMENT	DRUCKLEITUNG	TUBO DE IMPULSIÓN	TRYCKLEDNING	USCITA DEL TUBO DI MANDATA
DELTA CONTACTOR	DRIEHOEKSCHAKELAAR	CONTACTEUR TRIANGLE	DREIECKSCHALTER	CONTACTOR TRIÁNGULO	TRIANGELKONTAKTOR	CONTACTATORE DI TRIANGOLO
DEWPOINT METER	DAUWPUNTSMETER	INDICAT. POINT DE ROSÉE	TAUPUNKTMESSE	INDIC. PUNTO ROCÍO	DAGGPUNKTSMÄTARE	INDICATORE DEL PUNTO DI RUGIADA
DIAL	WIJZERPLAAT	CADRAN	SKALENSCHLEIBE	CUADRANTE	SKALA	QUADRANTE

ENGLISH	NORSK	DANSK	ΕΛΛΗΝΙΚΑ	PORTUGUÊS	SUOMI
COOLER	KJØLER	KØLER	ΨΥΚΤΗΣ	REFRIGERADOR	JÄÄHDYTIMEN
COOLER ADAPTOR	KJØLERADAPTER	KØLERADAPTER	ΠΡΟΣΑΡΜΟΓΕΑΣ ΨΥΚΤΗ	ADAPTADOR DO REFRIGERADOR	JÄÄHDYTIMEN SOVITINKAPPALE
COOLER CORE	KJØLERKJERNE	KØLERKERNE	ΠΥΡΗΝΑΣ ΨΥΚΤΗ	NÚCLEO DO REFRIGERADOR	JÄÄHDYTIMEN KENNOSTO
COOLER COVER	KJØLERDEKSEL	KØLERSKÆRM	ΚΑΛΥΜΜΑ ΨΥΚΤΗ	COBERTURA DO REFRIGERADOR	JÄÄHDYTIMEN KANSI
COOLER ELEMENT	KJØLERELEMENT	KØLERELEMENT	ΣΤΟΙΧΕΙΟ ΨΥΚΤΗ	ELEMENTO DO REFRIGERADOR	JÄÄHDYTINELEMENTTI
COOLER FRAME	KJØLERRAMME	KØLERRAMME	ΠΑΛΕΣΙΟ ΨΥΚΤΗ	QUADRO DO REFRIGERADOR	JÄÄHDYTIMEN RUNKO
COOLER HOUSING	KJØLERHUS	KØLERHUS	ΚΕΛΥΦΟΣ ΨΥΚΤΗ	CAIXA DO REFRIGERADOR	JÄÄHDYTIMEN VAIPPA
COOLER PACK	KJØLERPACKE	KØLERPACKE	ΣΥΓΓΕΙΘΗΡΑΙΗΤΗΣ ΨΥΚΤΗ	CONJUNTO DO REFRIGERADOR	JÄÄHDYTIMEN
COOLER PLATE	KJØLERPLATE	KØLERPLADE	ΠΛΑΚΑ ΨΥΚΤΗ	PLACA DO REFRIGERADOR	JÄÄHDYTINLEVY
COOLER SHELL	KJØLERDEKSEL	KØLERSKJOLD	ΚΕΛΥΦΟΣ ΨΥΚΤΗ	INVÓLUCRO DO REFRIGERADOR	JÄÄHDYTIMEN KUORI
COOLER SUPPORT	KJØLERSTØTTE	KØLERSTØTTE	ΒΑΣΗ ΨΥΚΤΗ	APOIO DO REFRIGERADOR	JÄÄHDYTIMEN KANNATIN
COOLER TUBE	KJØLERRØR	KØLERRØR	ΣΩΛΗΝΑΣ ΨΥΚΤΗ	TUBO DO REFRIGERADOR	JÄÄHDYTYSPUTKI
COOLING DUCT	KJØLERKANAL	KØLEVANDSKANAL	ΛΙΓΩΣ ΨΥΞΗΣ	CONDUTA DE REFRIGERAÇÃO	JÄÄHDYTYSKANAVA
COOLING ELEMENT	KJØLERELEMENT	KØLERELEMENT	ΣΤΟΙΧΕΙΟ ΨΥΞΗΣ	ELEMENTO DO REFRIGERADOR	JÄÄHDYTYSELEMENTTI
COOLING UNIT	KJØLER	KØLER	ΜΟΝΑΔΑ ΨΥΞΗΣ	UNIDADE REFRIGERADORA	JÄÄHDYTIMEN
COPNUT	TENNISPOLEMUTTER	TÆNDSPOLEMØTRIK	ΤΥΦΑΘΗ ΠΕΡΙΚΟΧΑΙΟ ΤΥΦΑΘΗ ΠΑΣΙΜΑΛΙ	PORCA DA BOBINE	KARTTOMUTTERI
CORD	STRAMMESNØR	ISOLERINGSTRÅD	ΚΑΛΩΔΙΟ	CABO DE LIGAÇÃO	LANKA
CORE	KJERNE	KERNE	ΠΥΡΗΝΑΣ	NÚCLEO	YDINOSA
CORE PLUG	KJERNEPLUGG	KERNEPROP	ΤΑΠΑ ΠΥΡΗΝΑ	BUJÃO	SISÄKETULPPA
CORK JOINT	KØRKSJØT	KØRKSAMLING	ΣΥΝΔΕΣΜΟΣ ΦΕΛΛΟΥ	UNIÃO DE CORTIÇA	KØRKKILPITOS
CORNER	HJØRNE	HJØRNE	ΓΩΝΙΑ	CANTO	KULMA
CORNER PANEL	HJØRNEPANEL	HJØRNEPANEL	ΓΩΝΙΑΚΟ ΚΑΛΥΜΜΑ	PAINEL ANGULAR	KULMALEVY
CORNER SHELL	HJØRNEPLATE	HJØRNEPLADE	ΓΩΝΙΑΚΟ ΚΕΛΥΦΟΣ	CANTONEIRA	KULMALEVY
CORROSION RESISTOR	KORROSIONSMOTSTAND	KORROSIONSMODSTAND	ΑΝΤΙΑΒΡΩΤΙΚΟ	RESISTÊNCIA DE CORROSÃO	KORROOSIONSUOJA-AINE
COUNTER WEIGHT	MOTVEKT	MODVÆGT	ΑΝΤΙΒΑΡΟ	CONTRAPESO	VASTAPAINO
COUPLING	KOPLING	KØBLING	ΣΥΝΔΕΣΜΟΣ ΣΥΖΕΥΣΗΣ	ACOPLAMENTO	KYTKIN
COUPLING ADAPTOR	KOPLINGSADAPTER	KØBLINGSADAPTER	ΠΡΟΣΑΡΜΟΓΕΑΣ ΣΥΝΔΕΣΜΟΥ	ADAPTADOR DE ACOPLAMENTO	KYTKINSOVITIN
COUPLING BOX	KOPLINGSBOKS	KØBLINGSBOKS	ΚΙΒΩΤΙΟ ΣΥΝΔΕΣΜΟΥ	CAIXA DE ACOPLAMENTO	KYTKINMUHVI
COUPLING DISK	KOPLINGSSKIVE	KØBLINGSSKIVE	ΔΕΚΟΣ ΣΥΝΔΕΣΜΟΥ	DISCO DE ACOPLAMENTO	KYTKINLEVY
COUPLING DRIVER	KOPLINGSMEDBRINGER	KØBLINGSDRIVHJUL	ΟΔΗΓΟΣ ΣΥΝΔΕΣΜΟΥ	ACOPLAMENTO DE ACCIONAMENTO	KYTKINVÄÄNTIÖ
COUPLING ELEMENT	KOPLINGSSELEMENT	KØBLINGSSELEMENT	ΣΤΟΙΧΕΙΟ ΣΥΝΔΕΣΜΟΥ	ELEMENTO DE ACOPLAMENTO	KYTKINELEMENTTI
COUPLING FLANGE	KOPLINGSFLENS	KØBLINGSFLANGE	ΦΛΑΝΤΖΑ ΣΥΝΔΕΣΜΟΥ	PRATO DE UNIÃO	KYTKINLAIPPA
COUPLING GUARD	KOPLINGSVERN	KØBLINGSSKJOLD	ΠΡΟΦΥΛΑΚΤΗΡΑΣ ΣΥΝΔΕΣΜΟΥ	PROTECÇÃO DO ACOPLAMENTO	KYTKIMEN SUOJUS
COUPLING HALF	KOPLINGSHALVDEL	KØBLINGSHALVDEL	ΗΜΙΣΥΝΔΕΣΜΟΣ	SEMI-ACOPLAMENTO	KYTKINPUOLISKO
COUPLING HEAD	KOPLINGSHODE	KØBLINGSHOVED	ΚΕΦΑΛΗ ΣΥΝΔΕΣΜΟΥ	CABEÇA DE ACOPLAMENTO	KYTKENTÄPÄÄ
COUPLING HOUSING	KOPLINGSHUS	KØBLINGSHUS	ΚΕΛΥΦΟΣ ΣΥΝΔΕΣΜΟΥ	INVÓLUCRO DO ACOPLAMENTO	KYTKIMEN KOTILO
COUPLING HUB	KOPLINGSNAV	KØBLINGSNAV	ΠΑΡΑΜΗΝΗΣΥΝΔΕΣΜΟΥ	CUBO DE ACOPLAMENTO	KYTKIMEN NAPPA
COUPLING LINK	KOPLINGSLEDD	KØBLINGSFORBINDELSE	ΣΥΝΔΕΣΜΟΣ ΣΥΖΕΥΣΗΣ	ELO DE UNIÃO	YHDYSNIVEL
COUPLING NUT	KOPLINGSMUTTER	KØBLINGSMØTRIK	ΠΕΡΙΚΟΧΑΙΟ ΣΥΝΔΕΣΜΟΥ	PORCA DE ACOPLAMENTO	KYTKINMUTTERI
COUPLING PLATE	KOPLINGSPLATE	KØBLINGSPLADE	ΕΛΑΣΜΑ ΣΥΝΔΕΣΜΟΥ	PLACA DE ACOPLAMENTO	KYTKINLEVY
COUPLING PLUG	KOPLINGSPLUGG	KØBLINGSPROP	ΠΩΜΑ ΣΥΝΔΕΣΜΟΥ	FICHA DE ACOPLAMENTO	KYTKINTULPPA
COUPLING RING	KOPLINGSRING	KØBLINGSRING	ΔΑΚΤΥΛΙΟΣ ΣΥΝΔΕΣΜΟΥ	ANEL DE ACOPLAMENTO	KYTKINRENGAS
COVER	DEKSEL	SKÆRM	ΚΑΛΥΜΜΑ	COBERTURA	KANSI
COVER FLANGE	LÅSEFLENS	SKÆRMFLANGE	ΦΛΑΝΤΖΑ ΚΑΛΥΜΜΑΤΟΣ	FLANGE DE COBERTURA	KANSILAIPPA
COVER FRONT	FREMRE DEKSEL	DÆKSEL FOR	ΜΙΠΡΟΣΤΙΟ ΚΑΛΥΜΜΑ	COBERTURA DA PARTE FRONTAL	ETUKANSI
COVER INLET	INNØPPEDEKSEL	DÆKSEL INDLØB	ΚΑΛΥΜΜΑ ΕΙΣΑΓΩΓΗΣ	COBERTURA DE ADMISSÃO	TULOPUOLEN KANSI
COVER LOWER	NEDRE DEKSEL	DÆKSEL NEDRE	ΚΑΤΩ ΚΑΛΥΜΜΑ	COBERTURA INFERIOR	ALAKANSI
COVER PANEL	PANELDEKSEL	DÆKSEL PANEL	ΦΥΛΑΘ ΚΑΛΥΜΜΑΤΟΣ	PAINEL DE COBERTURA	PEITELEVY
COVER PLATE	DEKPLATE	DÆKPLADE	ΕΛΑΣΜΑ ΚΑΛΥΜΜΑΤΟΣ	PLACA DE COBERTURA	PEITELEVY
COVER PLUG	DEKSEL VED PLUGG	DÆKSEL VED STIK	ΤΑΠΑ ΚΑΛΥΜΜΑΤΟΣ	PROTECÇÃO DA TOMADA	PEITETULPPA
COVER REAR	BAKRE DEKSEL	DÆKSEL BAG	ΠΙΣΩ ΚΑΛΥΜΜΑ	COBERTURA DA PARTE TRASEIRA	TAKAKANSI
COVER SHEET	DEKKPLATE	DÆKPLADE	ΦΥΛΑΘ ΚΑΛΥΜΜΑΤΟΣ	CHAPA DE PROTECÇÃO	PEITELEVY
COVER UPPER	ØVRE DEKSEL	DÆKSEL ØVRE	ΠΑΝΩ ΚΑΛΥΜΜΑ	COBERTURA SUPERIOR	YLÄKANSI
CRANK	VEIV	KRUMTAP	ΣΤΡΟΦΑΛΟΣ	CAMBOTA	KAMPI
CRANKCASE	VEIVHUS	KRUMTAPHUS	ΣΤΡΟΦΑΛΟΘΑΛΑΜΟΣ	CARTER	KAMPIKAMMIO
CRANKCASE BASE	VEIVHUSES BUNN	SOKKEL TIL KRUMTAPHUS	ΒΑΣΗ ΣΤΡΟΦΑΛΟΘΑΛΑΜΟΥ	BASE DO CARTER	KAMPIKAMMION POHJA
CRANKCASE HEATER	VEIVHUSOPVARMING	OPVARMER TIL KRUMTAPHUS	ΘΕΡΜΑΝΤΗΡΑΣ ΣΤΡΟΦΑΛΟΘΑΛΑΜΟΥ	AQUECEDOR DO CARTER	KAMPIKAMMION LÄMMITIN
CRANKSHAFT	VEIVAKSEL	KRUMTAPAKSEL	ΣΤΡΟΦΑΛΟΦΟΡΟΣ ΑΞΟΝΑΣ	CAMBOTA	KAMPIKANSI
CROSS	KRYSS	KRYDS	ΣΤΑΥΡΟΣ	CRUZADO / TRANSVERSAL	RISTI
CROSS ANGLE	TVERRVINKEL	TVÆRVINKEL	ΕΓΚΑΡΣΙΑ ΓΩΝΙΑ	ÂNGULO TRANSVERSAL	POIKITTAISKULMA
CROSS BAFFLE	TVERRSKJERM	TVÆRSKJERM	ΕΓΚΑΡΣΙΑ ΔΙΑΦΑΓΜΑ	PLACA DEFLECTORA TRANSVERSAL	VÄLILEVY
CROSS BEAM	TVERRBJELKE	TVÆRBJELKE	ΕΓΚΑΡΣΙΑ ΔΟΚΟΣ	HASTE TRANSVERSAL	POIKITTAISPALKKI
CROSS COUPLING	KRYSSKOPLING	KRYDSKØBLING	ΣΤΑΥΡΩΤΟΣ ΣΥΝΔΕΣΜΟΣ	ACOPLAMENTO TRANSVERSAL	RISTIKYTKIN
CROSS MEMBER	TVERRSTYKKE	TVÆRVANG	ΕΓΚΑΡΣΙΑ ΔΙΑΔΟΚΙΑ	MEMBRO TRANSVERSAL	POIKITTAISELEMENTTI
CROSS PLATE	TVERRPLATE	TVÆRPLADE	ΕΓΚΑΡΣΙΑ ΕΛΑΣΜΑ	PLACA TRANSVERSAL	POIKITTAISLEVY
CROSS TUBE	TVERRØR	TVÆRØR	ΕΓΚΑΡΣΙΟΣ ΣΩΛΗΝΑΣ	TUBO TRANSVERSAL	POIKITTAISPUTKI
CROSSHEAD	TVERRSTYKKE	KRYDSHOVED	ΖΥΓΩΜΑ ΣΤΑΥΡΟΣ	CRUZETA	RISTIKAPPALE
CROSSHEAD LINER	FØRING TIL TVERRSTYKKE	KRYDSHOVEDFØRING	ΧΙΤΩΝΙΟ ΣΤΑΥΡΟΥ	REVESTIMENTO INTERNO DA CRUZETA	RISTIKAPPALEEN HOLKKI
CROSSHEAD PIN	TAPP TIL TVERRSTYKKE	KRYDSHOVEDTAP	ΠΕΡΙΟΣΤΑΥΡΟΥ	CAVILHA DA CRUZETA	RISTITAPPI
CU PIPE	KØBBERRØR	KØBBERRØR	ΤΕΤΡΑΓΩΝΙΚΟΣ ΣΩΛΗΝΑΣ	TUBO EM COBRE (CU)	KUPARIPUTKI
CU WASHER	KØBBERSKIVE	KØBBERSKIVE	ΤΕΤΡΑΓΩΝΙΚΗ ΡΟΛΕΛΑ	ANILHA EM COBRE (CU)	KUPARINEN ALUSLAATTA
CUBICLE	KABINETT	KABINESKAB	ΚΟΥΒΟΥΚΛΙΟ	ARMÁRIO	KAAPPI
CUP	KØPP	KØP	ΔΟΧΕΙΟ	COPO	KUPPI
CURRENT TRANSFORMER	STRØMTRANSFORMATOR	STRØMTRANSFORMER	ΜΕΤΑΣΧΗΜΑΤΙΣΤΗΣ ΡΕΥΜΑΤΟΣ	TRANSFORMADOR DE CORRENTE	VIRTAMUUNTAJA
CUTTING RING	SKJERERING	SKÆRERING	ΔΑΚΤΥΛΙΟΣ ΚΟΠΗΣ	ANEL DE CORTE	LEIKKUURENGAS
CYCLONE	SYKLON	CYKLON	ΚΥΚΛΩΝΑΣ	CICLONE	SYKLONI
CYLINDER	SYLINDER	CYLINDER	ΚΥΛΙΝΔΡΟΣ	CILINDRO	SYLINTERI
CYLINDER BASE	SYLINDERBUNN	NEDRE CYLINDERLÅS	ΒΑΣΗ ΚΥΛΙΝΔΡΟΥ	BASE DO CILINDRO	SYLINTERIN POHJA
CYLINDER COVER	SYLINDERDEKSEL	CYLINDERDEKSEL	ΚΑΛΥΜΜΑ ΚΥΛΙΝΔΡΟΥ	COBERTURA DO CILINDRO	SYLINTERIN KANSI
CYLINDER HEAD	TOPPLOKK	(CYLINDER-)TOPSTYKKE	ΚΕΦΑΛΗ ΚΥΛΙΝΔΡΟΥ	CABEÇA DO CILINDRO	SYLINTERINPÄÄ
CYLINDER HOUSING	SYLINDERHUS	CYLINDERHUS	ΚΕΛΥΦΟΣ ΚΥΛΙΝΔΡΟΥ	ENCAIXE DO CILINDRO	SYLINTERIN KOTILO
CYLINDER PIN	SYLINDERPINNE	CYLINDERSTIFT	ΠΕΡΙΟΣ ΚΥΛΙΝΔΡΟΥ	CAVILHA DO CILINDRO	SYLINTERIMÄNTIN TAPPI
CYLINDER VALVE	SYLINDERVENTIL	CYLINDERVENTIL	ΒΑΛΒΙΔΑ ΚΥΛΙΝΔΡΟΥ	VÁLVULA DO CILINDRO	SYLINTERIVENTTIILI
D					
DAMPER	DEMPER	SPJELD	ΑΠΟΣΒΕΣΤΗΡΑΣ	AMORTECEDOR	VAIMENNIN
DAMPING DISC	DEMPERSKIVE	SPÆNDESKIVE TIL SPJELD	ΔΕΚΟΣ ΑΠΟΣΒΕΣΗΣ	DISCO AMORTECEDOR	VAIMENNINLEVY
DATA LABEL	DATASKILT	DATÆTIKET	ΕΤΙΚΕΤΑ ΔΕΔΟΜΕΝΩΝ	ETIQUETA DE DADOS	ARVOKILPI
DATA PLATE	TYPESKILT	DATAPLATE	ΗΜΕΡΑΓΙΑ ΣΤΟΙΧΕΙΩΝ	PLACA DE IDENTIFICAÇÃO	ARVOKILPI
DDC SET	DDC-SETT	DDC-SÆT	ΣΕΙΡΑ DDC	CONJUNTO DDC	DDC SET
DDEC READER	DDEC-LÆSER	DDEC-LÆSER	ΜΟΝΑΔΑ ΑΝΑΓΝΩΣΗΣ DDEC	DISPOSITIVO DE LEITURA DDEC	DDEC READER
DECAL	SKILT	SKILT	ΑΥΤΟΚΟΛΛΗΤΟ	ETIQUETA	TARRA
DEFAULT ITEM	NORMAL DEL	STANDARDDEL	ΠΡΟΕΠΙΛΗΓΜΕΝΟ ΣΤΟΙΧΕΙΟ	ARTIGO EM FALTA	ESIASetus
DEFLECTOR	LEDEPLATE	VARMESKÆRM	ΕΚΤΡΟΠΗΑΣ	DEFLECTOR	ILMANSUUNTAIN
DELIVERY DISC	UTFØRINGSKIVE	TRYKVENTILSKIVE	ΔΕΚΟΣ ΠΑΡΟΧΗΣ	DISCO DA VÁLVULA IMPULSORA	VENTTILJILAUTANEN
DELIVERY PIPE	UTFØRINGSRØR	FREMFORINGSRØR	ΣΩΛΗΝΑΣ ΠΑΡΟΧΗΣ	TUBO DE DISTRIBUIÇÃO	PAKOPUTKI
DELTA CONTACTOR	TREKANTKONTAKTOR	DELTAKONTAKTOR	ΕΠΙΦΕΑΣ ΔΕΛΤΑ	CONTACTOR EM TRIÂNGULO	KOLMIOKYTKIN
DEWPOINT METER	MÅLER FOR DUGGPUNKT	DUGPUNKTMÅLER	ΜΕΤΡΗΤΗΣ ΣΗΜΕΙΟΥ ΑΡΩΣΟΥ	MEDIDOR DE PONTO DE ORVALHO	KASTEPISTEMITTARI
DIAL	SKALA	SKALA	ΚΑΝΤΡΑΝ ΕΠΙΛΟΓΗΣ	MOSTRADOR	ASTEIKKO

ENGLISH	NEDERLANDS	FRANCAIS	DEUTSCH	ESPAÑOL	SVENSKA	ITALIANO
DIAPHR. CYLINDER	CILYNDER, MEMBRAAN-	CYLINDRE DU DIAPHRAGME	ZYLINDER, MEMBRAN	CIL. DEL DIAFRAGMA	CYLINDER, MEMBRAN	CILINDRO A MEMBRANA
DIAPHR. HOUSING	HUIS, MEMBRAAN-	CARTER DU DIAPHRAGME	GEHÄUSE, MEMBRAN	CAJA DEL DIAFRAGMA	HUIS, MEMBRAN	ALLOGGIAMENTO DELLA MEMBRANA
DIAPHR. RETAINER	MEMBRAANHOUDER	ARRETOIR DU DIAPHRAGME	MEMBRANHALTER	RETÉN DEL DIAFRAGMA	MEMBRANHÅLLARE	FERMO DELLA MEMBRANA
DIAPHR. VALVE	MEMBRAANAFSLUITER	VALVE DU DIAPHRAGME	MEMBRANVENTIL	VÁLV. DE DIAFRAGMA	MEMBRANVENTIL	VALVOLA A MEMBRANA
DIAPHRAGM	MEMBRAAN	DIAPHRAGME	MEMBRAN	DIAFRAGMA	MEMBRAN	MEMBRANA
DIESEL ENGINE	DIESELMOTOR	MOTEUR DIESEL	DIESELMOTOR	MOTOR DIESEL	DIESELMOTOR	MOTORE DIESEL
DIFFUSOR	DIFFUZOR	DIFFUSEUR	DIFFUZOR	DIFUSOR	SPRIDARE	DIFFUSORE
DIODE	DIODE	DIODE	DIODE	DIODO	DIOD	DIODO
DIPSTICK	PEILSTOK	JAUGE	PEILSTAB	VARRILLA DE NIVEL	MÅTSTICKA	ASTA DI LIVELLO
DIPSTICK GUIDE	PEILSTOKGELEIDER	GUIDE DE JAUGE	PEILSTABFÜHRUNG	GUÍA VARRILLA NIVEL	STYRNING MÅTSTICKA	GUIDA DELL'ASTA DI LIVELLO
DISC	SCHIJF	DISQUE	SCHIBE	DISCO	SKIVA	DISCO
DISC SPRING	SCHIJFVEER	RESSORT A DISQUE	SCHIBENFEDER	MUELLE DE DISCO	BRICKFÄDER	MOLLA A DISCO
DISC WHEEL	SCHIJFWIEL	ROUE PLEINE	SCHIBENRAD	RUEDA DE DISCO	SKIVHJUL	RUOTA A DISCO
DISCHARGE CAP	UITLAATDEKSEL	COUVERCLE DE DECHARGE	AUSLASSDECKEL	TAPA DE DESCARGA	UTLOPPSLOCK	COPERCHIO DI SCARICO
DISCHARGE PIPE	UITLAATPIJP	TUYAU DE DECHARGE	AUSLASSROHR	TUBO DE DESCARGA	UTLOPPSRÖR	TUBO DI SCARICO
DISCHARGE SILENCER	GELUIDDEMPER	SILENCIEUX DE DECHARGE	GERÄUSCHDÄMPFER	SILENC. DESCARGA	LJUDDÄMPARE	SILENZIATORE DI SCARICO
DISCHARGE VALVE	UITLAATKLEP	SOUPAPE DE DECHARGE	AUSLASSVENTIL	VÁLV. DE DESCARGA	UTLOPPSVENTIL	VALVOLA D'EFFLUSSO
DISHED END	HOL. UITTEINDE	EXTREMITÉ BOMBEE	EINWÄRTS GEKRÜMMTES ENDE	EXTREMO CÓNCAVO	KUPAD ÄNDA	ESTREMITA' BOMBATA
DISPLAY	BEELDSCHERM	VISUEL	DISPLAY	PANTALLA	DISPLAY	VISUALIZZAZIONE
DISPLAY MODULE	BEELDSCHERM MODUUL	MODULE VISUEL	DISPLAYMODUL	MÓDULO DE PRESENTACIÓN	DISPLAYMODUL	MODULO DI VISUALIZZAZIONE
DISTANCE BUSH	AFSTANDSBUS	DOUILLE D'ECARTEMENT	DISTANZHÜLSE	CASQUILLO SEPARADOR	DISTANSHYLSA	BUSSOLA DI DISTANZIAMENTO
DISTANCE FLANGE	AFSTANDSFLENS	BRIDE D'ESPACEMENT	ABSTANDSFLANSCH	ABRAZADERA DE SEPARACIÓN	DISTANSFLÄNS	FLANGIA DI DISTANZIAMENTO
DISTANCE PIECE	AFSTANDSSTUK	PIECE D'ECARTEMENT	PIECE D'STÜCK	PIEZA DE SEPARACIÓN	DISTANSSTYCKE	PEZZO DI DISTANZIAMENTO
DISTANCE RING	AFSTANDSRING	BAGUE D'ECARTEMENT	DISTANZRING	ANILLO SEPARADOR	DISTANSRING	ANELLO DI DISTANZIAMENTO
DISTANCE SCREW	AFSTANDSSCHROEF	VIS D'ECARTEMENT	DISTANZSCHRAUBE	TORNILLO SEPARADOR	DISTANSSKRUV	VITE DI DISTANZIAMENTO
DOCUMENT HOLDER	DOCUMENTENHOUDER	RECEPTABLE DE DOCUMENTS	DOKUMENTHALTER	SOPORTE PARA DOCUMENTOS	DOKUMENTHÅLLARE	PORTO DOCUMENTI
DOG PLATE	NOKKENPLAAT	PLATEAU A BUTEES	MITNEHMERSCHIBE	PLATO DE FIJACIÓN	MEDBRINGARSKIVA	DISCO CON SCONTRI
DOMED WASHER	GEBOGEN ONDERLEGPLAATJE	RONDELLE CINTRÉE	GÖWÖLBT. SCHIBE	ARANDELA EN ABOVEDADA	KUPOLBRICKA	RONDELLA A CUPOLA
DOOR	DEUR	PORTE	TÜR	PUERTA	DÖRR	PORTA
DOOR HANDLE	DEURKLINK	POIGNEE DE PORTE	TÜRKLINKE	MANGO DE LA PUERTA	DÖRRHANDTAG	MANIGLIA
DOOR HOOK	DEURGRENDEL	VERROU DE PORTE	TÜRHAKEN	GANCHO DE LA PUERTA	DÖRRKROK	GANCIO DELLA PORTA
DOOR LATCH	DEURKLINK	BEQUILLE DE PORTE	TÜRRIEGEL	PESTILLO DE LA PUERTA	DÖRRSPÄRR	CATENACCIO
DOOR LOCK	DEURSLOT	SERRURE DE PORTE	TÜRSCHLOSS	CERRADURA DE LA PUERTA	DÖRRLÄS	SERRATURA
DOOR PANEL	DEURPANEEL	PANNEAU DE PORTE	TÜRFÜLLUNG	PANEL DE LA PUERTA	DÖRRPANEL	PANNELLO DELLA PORTA
DOOR SHEET	DEURPANEEL	PLAQUE DE PORTE	TÜRPLATTE	HOJA DE LA PUERTA	DÖRRPLATTA	LAMIERA DELLA PORTA
DOWEL PIN	STELPEN	GOUILLE DE SERRAGE	FÜHRUNGSZAPPEN	CLAVIA	STYRBULT	CAVIGLIA
DRAIN	AFTAPBUIJS	TUBE DE VIDANGE	ABLASSROHR	DRENAJE	AVTAPPNINGSRÖR	SCARICO
DRAIN COCK	AFTAPKRAAN	ROBINET DE VIDANGE	ABLASSHAHN	GRIFO DE DRENAJE	AVTAPPNINGSKRAN	RUBINETTO DI SCARICO
DRAIN CONNECTION	AFTAPSTOMP	RACCORD. DE VIDANGE	ABLASSANSCHLUSS	CONEXIÓN DE DRENAJE	AVLOPPANSLUTNING	COLLEGAMENTO DI SCARICO
DRAIN JOINT	AFTAPVERBINDING	JOINT DE VIDANGE	ABLASSANSCHLUSS	JUNTA DE DRENAJE	AVTAPPNINGSSTYCKE	GIUNTO DI SCARICO
DRAIN PAN	OPVANGBAK	RECIPIENT DE VIDANGE	ABLASSBEHÄLTER	VENTILADOR DE DRENAJE	AVTAPPNINGSSKÅL	VASCA DI SCARICO
DRAIN PIPE	AFTAPLEIDING	CONDUITE DE VIDANGE	ABLASSROHR	TUBO DE DRENAJE	AVLOPPSRÖR	TUBO DI SCARICO
DRAIN PLUG	AFTAPPLUG	BOUCHON DE VIDANGE	ABLASSSTOPPEN	TAPÓN DE DRENAJE	AVTAPPNINGSPROPP	TAPPO DI SCARICO
DRAIN RECEIVER	AFTAPVAT	RESERVOIR DE VIDANGE	ABLASSBEHÄLTER	DEPÓSITO DE DRENAJE	AVTAPPNINGSBÄLTER	SERBATOIO DI SCARICO
DRAIN SCREW	AFTAPSCHROEF	VIS DE VIDANGE	ABLASSSCHRAUBE	TORNILLO DE DRENAJE	AVTAPPNINGSSKRUV	VITE DI SCARICO
DRAIN STRIP	STRIP V. AFTAPBUIJS	BANDE DE VIDANGE	ABLASSSTREIFEN	CINTA DE DRENAJE	AVTAPPNINGSBAND	NASTRO DI SCARICO
DRAIN VALVE	AFTAPKLEP	SOUPAPE DE VIDANGE	ABLASSVENTIL	VÁLVULA DE DRENAJE	AVTAPPNINGSVENTIL	VALVOLA DI SCARICO
DRAW LATCH	TREKSLUITING	LEVIER FERMETURE	ZIEHVERSCHLUSS	SEGURO	DRAGREGL	CHIAVISTELLO
DRIVE GEAR	DRIJWERK	ENGRENAGE MENANT	TRIEBWERK	ENGRANAJE IMPULSOR	DRIVHJUL	INGRANAGGIO CONDUTTORE
DRIVE HOUSING	BEHUIZING AANDRIJVING	BOITIER D'ENTRAÎNEMENT	ANTRIEBSGEHÄUSE	CARCASA DEL CONTROLADOR	DREVHUS	ALLOGGIAMENTO DEL COMANDO
DRIVE PULLEY	AANDRIJFRIEMSCHIJF	POULIE D'ENTRAÎNEMENT	ANTRIEBSCHIBE	POLEA MOTRIZ	REMSKIVA	PULEGGIA DI AZIONAMENTO
DRIVE SCREW	SLAGSCHROEF	VIS AUTO-SERRANT	TRIEBSCHRAUBE	TRIEBSCHRAUBE	DRIVSKRUV	VITE DI AZIONAMENTO
DRIVE SHAFT	DRIJFAS	ARBRE D'ENTRAÎNEMENT	ANTRIEBSWELLE	EJE DE MANDO	DRIVAXEL	ALBERO DI AZIONAMENTO
DRIVING BELT	DRIJFRIEM	COURROIE D'ENTRAÎNEMENT	TREIBRIEMEN	CORREA TRANSMISORA	DRIVREM	CINGHIA DI TRASMISSIONE
DRIVING GEAR	AANDRIJVING	ENGRENAGE	ANTRIEB	ENGRANAJE DEL CONTROLADOR	DRIVVÆXEL	INGRANAGGIO DI TRASMISSIONE
DRIVING PUMP	DRIJFPOMP	POMPE D'ENTRAÎNEMENT	ANTRIEBSPUMPE	BOMBA IMPULSORA	DRIVPUMP	POMPA DI TRASMISSIONE
DRUM	TROMMEL	TAMBOUR	TROMMEL	TAMBOR	TRUMMA	TAMBURO
DRUM HUB	NAAF V. TROMMEL	MOYEU DU TAMBOUR	TROMMELNABE	NÚCLEO DEL TAMBOR	TRUMNAV	MOZZO DEL TAMBORO
DRYER	DROGER	SECHEUR	TROCKNER	SECADOR	TORK	ESSICCATORE
DUCT	KANAAL	CANAL, TUYAU, CONDUIT	KANAL	CONDUCTO	LEDNING	CONDOTTO
DUCT HOOD	KANAALDEKSEL	CHAPE DE TUYAU	ROHRLEITUNGSHAUBE	CUBIERTA DEL CONDUCTOR	LEDNINGSKÅPA	CAPPA DEL CONDOTTO
DUCT PLATE	GELIEDINGSPLAAT	PLAQUE DE CONDUIT	LUFTLEITBLECH	PLACA DE CONDUCTO	LEDPLÅT	PIASTRA DEL CONDOTTO
DUMMY	DUMMIE	FICTIF	DUMMIE	FALSO	MODELL, BINDELEMENT	SAGOMA
DUO CLIP	KLEMVEER	CIRCLIP	SPRENGRING	PRESILLA	LÅSRING	FERMAGLIO
DUST CUP	STOFVANGER	BOL A POUSSIÈRE	STAUBFÄNGER	COLECTOR DE POLVO	DAMMBEHÅLLARE	COLLETTORE PER POLVERE
DUST PLATE	STOFFPLAAT	PLAQUE ANTIPOUSSIÈRE	STAUBPLATTE	PLACA ANTIPOLVO	DAMMSKIVA	DAMMIA ANTIPOVERE
DUST RING	STOFRING	BAGUE ANTIPOUSSIÈRE	STAUBRING	ANILLO GUARDAPOLVO	DAMMRING	ANELLO ANTIPOVERE
DUST SEAL	STOFDICHTING	JOINT ANTIPOUSSIÈRE	STAUBDICHTUNG	OBTUR. CONTRA EL POLVO	DAMMTÆTNING	SIGILLO ANTIPOVERE
DUST VALVE	STOFKLEP	SOUPAPE DE POUSSIÈRE	STAUBVENTIL	VÁLVULA DE POLVO	DAMMVENTIL	VALVOLA DI SCARICO POLVERE
DYNAMO	DYNAMO	DYNAMO	DYNAMO	DÍNAMO	DYNAMO	DINAMO

E						
EARTH CABLE	AARDINGSKABEL	CONDUCTEUR MISE A TERRE	ERDUNGSKABEL	CONDUCTOR A TIERRA	JORDKABEL	CAVO DI TERRA
EARTH LEAK RELAY	AARDLEKRELAYS	REL. DE FUITE A LA TERRE	ERDSCHLUSSRELAYS	PÉRDIDA DE TIERRA, RELÉ	JORDSLUTNINGRELÄ	RELÉ' DI SCARICO A TERRA
EARTH MARK	AARDINGSTEKEN	INDICATION MISE A LA TERRE	ERDUNGSMARKIER	MARCA DE TIERRA	JORDTECKEN	SEGNO DI TERRA
EARTH PIN	AARDINGSPEN	PIQUET MISE A LA TERRE	ERDUNGSTIFT	PASADOR DE TIERRA	JORDPINNE	SPINA DI TERRA
EARTH RAIL	AARDRAIL	RAIL DE MISE A LA TERRE	ERDUNGSSCHIENE	GUÍA DE TOMA TIERRA	JORDSKENA	ROTAIA DI TERRA
EARTH STRIP	AARDINGSTRIP	REGLETTE MISE A LA TERRE	BANDERDER	CINTA DE TIERRA	JORBAND	STRISCIA DI TERRA
EARTH TERMINAL	AARDKLEM	BORNE DE TERRE	ERDUNGSKLEMMER	TERMINAL DE TIERRA	JORDKLÄMMA	MORSETTIERA DI TERRA
ECCENTRIC RING	EXCENTRIEKRING	ANNEAU EXCENTRIQUE	EXZENTERRING	ANILLO EXCÉNTRICO	EXCENTERRING	ANELLO ECCENTRICO
EDGE PROTECTOR	RANDBESCHERMING	PROTEGE-ARETE	KANTENSCHUTZ	PROTECTOR DE BORDE	KANTSKYDD	PROTEGGI BORDO
EJECTOR	EJECTOR	EJECTEUR	EJEKTOR	EYEKTOR	EJEKTOR	EIEFTORE
ELASTIC PIN	FLEXIBELE PEN	GOUJON ÉLASTIQUE	ELASTISCHER STIFT	PASADOR ELÁSTICO	ELASTISKT STIFT	SPINA ELASTICA
ELBOW	KNIE	COUDE	KRÜMMER	CODO	RÖRKROK	GOMITO
ELBOW COUPLING	KNIEKOPPELING	RACCORD. A COUDE	GEBOGENER ANSCHLUSS	CONEXIÓN ACODADA	VINKLAD KOPPLING	GIUNTO A GOMITO
ELBOW FITTING	KNIEKOPPELING	COUDE	KNIESTÜCK	ACCESORIO ACODADO	KRÖKARMATUR	ACCESORIO A GOMITO
ELBOW PIPE	PIJP. KNIE	COUDE	SCHENKELROHR	TUBERÍA ACODADA	KNÄRÖR	TUBO A GOMITO
ELBOW REDUCER	KNIEREDUCERSTUK	REDUCTEUR A COUDE	GEBOGENES REDUZIERSTÜCK	REDUCTOR ACODADO	BÖJT REDUCERINGSSTYCKE	RIDUTTORE A GOMITO
ELBOW UNION	KNIEVERBINDING	RACCORD. COUDE	KRÜMMERANSCHLUSS	UNIÓN DE CODO	VINKELKOPPLING	RACCORDO A GOMITO
ELECTRIC AIR FILTER	ELEKTRISCH LUCHTFILTER	FILTRE A AIR ELECTR.	EL. LUFTFILTER	FILTRO DE AIRE EL.	EL. LUFTFILTER	FILTRO DELL'ARIA ELETTRICO
ELECTROLYTE	ELECTROLYT	ELECTROLYTE	ELEKTROLYT	ELECTRÓLITO	ELEKTROLYT	ELETTROLITO
ELEMENT	ELEMENT	ELEM. SEPARATEUR D'HUILE	ELEMENT	ELEMENT	ELEMENT	ELEMENTO
EMERGENCY RELAY	NOODSTOPRELAIS	RELAIS D'ARRÊT D'URGENCE	SICHERHEITSRELAIS	RELÉ DE EMERGENCIA	SÄKERHETSRELÄ	RELÉ' DI EMERGENZA
EMERGENCY STOP	NOODSTOP	ARRÊT D'URGENCE	NOT-AUS SCHALTER	PARADA DE EMERGENCIA	NÖDSTOPP	ARRESTO DI EMERGENZA
EMERGENCY VALVE	NOODKLEP	SOUPAPE DE SURETE	SICHERHEITSVENTIL	VÁLVULA DE EMERGENCIA	SÄKERHEITSVENTIL	VALVOLA DI EMERGENZA
END	EINDSTUK	EXTREMITÉ	ENDE	EXTREMO	ÄNDA	ESTREMITA', FINE
END BRACKET	STEUN	SUPPORT	KONSOLE	SOPORTE	FÄSTE	MENSOLA DI ESTREMITÀ
END CAP	EINDEKSEL	CHAPEAU	ENDKAPPE	CUBIERTA DEL EXTREMO	ÄNDRÅPA	CAPPELLO D'ESTREMITA'
END FRAME	EINDRAAM	EXTREMITÉ BATTI	ENDRAHMEN	EXTREMO DEL MARCO	ÄNDRAM	TELAIO D'ESTREMITA'

ENGLISH	NORSK	DANSK	ΕΛΛΗΝΙΚΑ	PORTUGUÊS	SUOMI
DIAPHR. CYLINDER	MEMBRAN, SYLINDER	MEMBRANCYLINDER	ΚΥΛΙΝΔΡΟΣ ΔΙΑΦΡΑΓΜΑΤΟΣ	CILINDRO DE DIAFRAGMA	KALVOSYLINTERI
DIAPHR. HOUSING	MEMBRAN, HUS	MEMBRANHUS	ΚΕΛΥΦΟΣ ΔΙΑΦΡΑΓΜΑΤΟΣ	CAIXA DE DIAFRAGMA	KALVOKOTELO
DIAPHR. RETAINER	MEMBRANHOLDER	MEMBRANHOLDER	ΣΥΤ ΚΡΑΤΗΤΗΡΑΣ ΔΙΑΦΡΑΓΜΑΤΟΣ	FREIO DO DIAFRAGMA	KALVON PIDIN
DIAPHR. VALVE	MEMBRANVENTIL	MEMBRANVENTIL	ΒΑΛΒΙΔΑ ΔΙΑΦΡΑΓΜΑΤΟΣ	VÁLVULA DE DIAFRAGMA	KALVOVENTTILI
DIAPHRAGM	MEMBRAN	MEMBRAN	ΔΙΑΦΡΑΓΜΑ	DIAFRAGMA	KALVO
DIESEL ENGINE	DIESELMOTOR	DIESELMOTOR	ΠΙΕΤΡΕΑΙΟΚΙΝΗΤΗΡΑΣ	MOTOR DIESEL	DIESELMOOTTORI
DIFUSOR	FORSTØVER	SPREDER	ΣΚΕΛΑΣΤΗΡΑΣ	DIFUSOR	HAJOTIN
DIODE	DIODE	DIODE	ΔΙΟΔΟΣ	DIODO	DIODI
DIPSTICK	PEILEPINNE	MÅLEPIND	ΡΑΒΔΟΣ ΕΜΒΑΠΤΗΣΗΣ	VARETA DE NÍVEL	MITTATIKKU
DIPSTICK GUIDE	FØRER FOR PEILEPINNE	STYR TIL MÅLEPIND	ΟΔΗΓΟΣ ΡΑΒΔΟΥ ΕΜΒΑΠΤΗΣΗΣ	INDICADOR DA VARETA DE NÍVEL	MITTATIKUN OHJAIN
DISC	SKIVE	SPÆNDESKIVE	ΔΕΚΟΣ	DISCO	LEVY
DISC SPRING	SKIVEFJÆR	FJEDER TIL SPÆNDESKIVE	ΕΛΑΤΗΡΙΟ ΔΕΣΚΟΥ	MOLA DO DISCO	LAUTASJOUSI
DISC WHEEL	SKIVEHJUL	SPÆNDESKIVEHJUL	ΤΡΟΧΟΣ ΔΕΣΚΟΥ	VOLANTE DE DISCO	LEVYPYÖRÄ
DISCHARGE CAP	UTLØPSDEKSEL	AFLØBSDÆKSEL	ΚΑΛΥΠΤΡΑ ΕΚΦΟΡΤΩΣΗΣ	TAMPA DE DESCARGA	POISTOUKON TULPPA
DISCHARGE PIPE	UTLØPSRØR	AFLØRSRØR	ΣΩΛΗΝΑΣ ΕΚΦΟΡΤΩΣΗΣ	TUBO DE DESCARGA	POISTOPUTKI
DISCHARGE SILENCER	LYDDEMPER (UTLØP)	LYDDEMPER	ΣΙΓΑΣΤΗΡΑΣ ΕΚΦΟΡΤΩΣΗΣ	SILENCIADOR DE DESCARGA	ÄÄNENVAIMENNIN
DISCHARGE VALVE	UTLØPSVENTIL	AFLØBSVENTIL	ΒΑΛΒΙΔΑ ΕΚΦΟΡΤΩΣΗΣ	VÁLVULA DE DESCARGA	POISTOVENTTILI
DISHED END	KONKAV ENDE	KONKAV ENDE	ΔΙΑΠΛΑΤΥΣΜΕΝΟ ΑΚΡΟ	EXTREMIDADE ABULADA	KUPERA PÄÄTYKAPPALE
DISPLAY	DISPLAY	DISPLAY	ΘΘΟΝΗ	PAINEL INDICADOR	NÄYTTÖRUUTU
DISPLAY MODULE	DISPLAYMODUL	DISPLAYMODUL	ΜΟΝ ΑΔΑ ΘΘΟΝΗΣ	MÓDULO INDICADOR	NÄYTTÖMODUULI
DISTANCE BUSH	AVSTANDSBØSSING	AFSTANDSBØSSING	ΔΙΑΧΩΡΙΣΤΙΚΟΣ ΑΝΤΙΤΡΙΒΙΚΟΣ ΔΑΚΤΥΛΙΟΣ	CASQUILHO ESPAÇADOR	VÄLKEHOLKKI
DISTANCE FLANGE	AVSTANDSFLENS	AFSTANDSFLENGE	ΔΙΑΧΩΡΙΣΤΙΚΗ ΦΑΝΤΖΑ	PRATO DE AFASTAMENTO	VÄLKEILAIPIA
DISTANCE PIECE	AVSTANDSSTYKKE	AFSTANDSSTYKKE	ΔΙΑΧΩΡΙΣΤΙΚΟ ΤΕΜΑΧΙΟ	PEÇA DE AFASTAMENTO	VÄLKEKAPPALE
DISTANCE RING	AVSTANDSRING	AFSTANDSRING	ΔΙΑΧΩΡΙΣΤΙΚΟΣ ΔΑΚΤΥΛΙΟΣ	ANEL DE AFASTAMENTO	VÄLKERENGAS
DISTANCE SCREW	AVSTANDSSKRUE	AFSTANDSSKRUE	ΔΙΑΧΩΡΙΣΤΙΚΟΣ ΚΟΧΛΙΑΣ	PARAFUSO DE AFASTAMENTO	VÄLKERUUVI
DOCUMENT HOLDER	DOKUMENTHOLDER	DOKUMENTHOLDER	ΘΗΚΗ ΕΓΓΡΑΦΩΝ	FORTA DOCUMENTOS	ASIAPAPERIKOTILO
DOG PLATE	MEDBRINGERSKIVE	MEDBRINGERPLADE/SKIVE	ΕΛΑΣΜΑ ΕΜΠΛΟΚΕΑ	PLACA DE GARRAS	VÄÄNTIÖLAATTA
DOMED WASHER	SKRÅ SKIVE	HVÆLVET SKIVE	ΚΥΡΤΗ ΡΟΔΕΛΑ	ANILHA DE CÚPULA	KUPUMAINEN ALUSLAATTA
DOOR	DØR	DØR	ΠΟΡΤΑ	PORTA	OVI
DOOR HANDLE	DØRHÅNDTAK	DØRHÅNDTAG	ΧΕΙΡΟΛΑΒΗ ΠΟΡΤΑΣ	PUNHO DA PORTA	KÄDENSUIA
DOOR HOOK	HEKTE PÅ DØR	DØRKROG	ΜΑΝΑΛΟ ΠΟΡΤΑΣ	GANCHO DA PORTA	OVEN HAKA
DOOR LATCH	SLÅE	DØRKLINKE	ΣΥΡΤΗΣ ΠΟΡΤΑΣ	TRINCO DA PORTA	OVEN SALPA
DOOR LOCK	DØRLÅS	DØRLÅS	ΚΑΛΕΙΑΡΙΑ ΠΟΡΤΑΣ	TRANCA DA PORTA	OVEN LUKKO
DOOR PANEL	DØRPANEL	DØRPANEL	ΦΥΛΑΟ ΠΟΡΤΑΣ	PAINEL DA PORTA	OVIPANEELI
DOOR SHEET	DØRPLATE	DØRPLADE	ΦΥΛΑΟ ΠΟΡΤΑΣ	CHAPA DA PORTA	OVILEVY
DOWEL PIN	STYREPINNE	LÅSETAP	ΣΦΗΝΩΤΟΣ ΠΙΠΡΟΣ	PINO DE ENCAIXE	OHJAUSTAPPI
DRAIN	DRENERING	AFLØB	ΑΠΟΧΡΕΤΑΓΓΕΙΗ	DRENO / DRENAGEM	TYHJENNYSPUTKI
DRAIN COCK	DRENERINGSKRAN	AFTAPNINGSHANE	ΔΙΚΑΕΙΔΑ ΑΠΟΧΡΕΤΑΓΓΕΙΗΣ	TORNEIRA DE PURGA	TYHJENNYSHANA
DRAIN CONNECTION	TILKØPLING FOR DRENERING	TILSUTNING TIL AFLØB	ΣΥΝΔΕΣΗ ΑΠΟΧΡΕΤΑΓΓΕΙΗΣ	UNIÃO DE ESCOAMENTO	TYHJENNYSHYDE
DRAIN JOINT	DRENERINGSKJØT	DRENFORBINDELSE	ΣΥΝΔΕΣΜΟΣ ΑΠΟΧΡΕΤΑΓΓΕΙΗΣ	JUNÇÃO DE ESCOAMENTO	TYHJENNYSLITOS
DRAIN PAN	DRENERINGSSPANNE	AFLØBSKÅL	ΔΕΚΑΝΗ ΑΠΟΧΡΕΤΑΓΓΕΙΗΣ	TANQUE DE PURGA	TYHJENNYSSASTIA
DRAIN PIPE	DRENERINGSRØR	AFTAPNINGSRØR	ΣΩΛΗΝΑΣ ΑΠΟΧΡΕΤΑΓΓΕΙΗΣ	TUBO DE ESCOAMENTO	TYHJENNYSPUTKI
DRAIN PLUG	DRENERINGSPLUGG	AFTAPNINGSPROP	ΤΑΠΑ ΑΠΟΧΡΕΤΑΓΓΕΙΗΣ	BUIÃO DE ESCOAMENTO	TYHJENNYSTULPPA
DRAIN RECEIVER	BEHOLDER FOR DRENERING	AFTAPNINGSBEHOLDER	ΣΥΛΛΕΚΤΗΣ ΑΠΟΧΡΕΤΑΓΓΕΙΩΣ	COLECTOR DE DRENAGEM	TYHJENNYSSÄILIÖ
DRAIN SCREW	DRENERINGSKRUE	AFTAPNINGSKRUE	ΚΟΧΛΙΑΣ ΑΠΟΧΡΕΤΑΓΓΕΙΗΣ	PARAFUSO DE PURGA	TYHJENNYSRUUVI
DRAIN STRIP	DRENERINGSLIST	AFLØBSLISTE	ΤΑΙΝΙΑ ΑΠΟΧΡΕΤΑΓΓΕΙΗΣ	FAIXA DO DRENO	TYHJENNYSPUTKEN LIUSKA
DRAIN VALVE	DRENERINGSVENTIL	AFTAPNINGSVENTIL	ΒΑΛΒΙΔΑ ΑΠΟΧΡΕΤΑΓΓΕΙΗΣ	VÁLVULA DE PURGA	TYHJENNYSVENTTILI
DRAW LATCH	LÅSEBOLT	SVINGLÅS	ΣΥΡΤΗΣ ΑΠΟΧΡΕΤΑΓΓΕΙΗΣ	TRANCA DE ESCOAMENTO	VETOSALPA
DRIVE GEAR	DRIVVERK	DRIVHJUL	ΚΙΝΗΤΗΡΙΟ ΓΡΑΝΑΖΙ	ENGRENAGEM DE ACCIONAMENTO	KÄYTTÖPYÖRÄ
DRIVE HOUSING	DREVHUS	DREVHUS	ΚΕΛΥΦΟΣ ΜΙΧΑΝΙΣΜΟΥ ΚΙΝΗΣΗΣ	ENCAIXE DE ACCIONAMENTO	KÄYTTÖKONEISTON KOTILO
DRIVE PULLEY	DRIVREMSKIVE	DRIVREMSKIVE	ΚΙΝΗΤΗΡΙΑ ΤΡΟΧΑΛΙΑ	POLIA DE ACCIONAMENTO	HIHNAPYÖRÄ
DRIVE SCREW	DRIVSKRUE	DRIVSKRUE	ΚΙΝΗΤΗΡΙΟΣ ΚΟΧΛΙΑΣ	PARAFUSO DE ACCIONAMENTO	VETORUUVI
DRIVE SHAFT	DRIVAKSEL	DRIVAKSEL	ΚΙΝΗΤΗΡΙΟΣ ΑΞΟΝΑΣ	VEIO DE TRANSMISSÃO	KÄYTTÖAKSELI
DRIVING BELT	DRIVREM	DRIVREM	ΙΜΑΝΤΑΣ ΚΙΝΗΣΗΣ	CORREIA DE TRANSMISSÃO	KÄYTTÖHIHNA
DRIVING GEAR	DRIVTANDHJUL	DRIVTANDHJUL	ΓΡΑΝΑΖΙΑ ΚΙΝΗΣΗΣ	ENGRENAGEM DE ACCIONAMENTO	ENGRENAGEM DE ACCIONAMENTO
DRIVING PUMP	DRIVPUMPE	DRIVPUMPE	ΑΝΤΑΙΑ ΚΙΝΗΣΗΣ	BOMBA DE ACCIONAMENTO	SIIRTOPUMPPU
DRUM	TROMMEL	SPOLE	ΤΥΜΠΑΝΟ	TAMBOR	RUMPU
DRUM HUB	TROMMELNAV	SPOLENAV	ΠΛΑΜΗΝΗ ΤΥΜΠΑΝΟΥ	EIXO DO TAMBOR	RUMMUN NAPA
DRYER	TØRCKER	TØRRER	ΞΗΡΑΝΤΗΡΑΣ	SECADOR	KUIVAIN
DUCT	KANAL	KANAL	ΑΓΩΓΟΣ	CANAL	PUTKI
DUCT HOOD	KANALHETTE	KANALHETTE	ΚΑΛΥΜΜΑ ΑΓΩΓΟΥ	ANTEPARO DA CONDUTA	KAAPELIKOURUN KANSI
DUCT PLATE	LEDEPLATE	FORBINDELSPLADE	ΠΛΑΚΑ ΑΓΩΓΟΥ	PLACA DE CANAL	OHJAINLEVY
DUMMY	DEKSEL	ATTRAP	ΟΜΟΙΩΜΑ	FALSO	PETEKAPPALE
DUO CLIP	LÅSERING	LÅSERING	ΔΙΠΛΗ ΑΒΑΘΙΑ	PINÇA DUPLA	LUKKORENGAS
DUST CUP	STØVBEHOLDER	STØVOPSAMLER	ΚΑΠΑΚΙ ΠΡΟΣΤΑΣΙΑΣ ΑΠΟ ΣΚΟΝΗ	COLECTOR DE POEIRAS	PÖLYSÄILIÖ
DUST PLATE	STØVPLATE	STØVPLATE	ΕΛΑΣΜΑ ΠΡΟΣΤΑΣΙΑΣ ΑΠΟ ΣΚΟΝΗ	PLACA DE POEIRAS	PÖLYNESTOLEVY
DUST RING	STØVRING	STØVRING	ΔΑΚΤΥΛΙΟΣ ΠΡΟΣΤΑΣΙΑΣ ΑΠΟ ΣΚΟΝΗ	ANEL DE POEIRAS	PÖLYNESTORENGAS
DUST SEAL	STØVTÆTNING	STØVPAKNING	ΠΩΜΑ ΠΡΟΣΤΑΣΙΑΣ ΑΠΟ ΣΚΟΝΗ	JUNTA DE VEDAÇÃO DE POEIRAS	PÖLYTIVISTE
DUST VALVE	STØVVENTIL	STØVVENTIL	ΒΑΛΒΙΔΑ ΠΡΟΣΤΑΣΙΑΣ ΑΠΟ ΣΚΟΝΗ	VÁLVULA DE POEIRAS	PÖLYNESTOVENTTILI
DYNAMO	DYNAMO	DYNAMO	ΔΥΝΑΜΟ	DINAMO	SÄHKÖGENERAATTORI

E					
EARTH CABLE	JORDKABEL	JORDKABEL	ΚΑΘΩΔΙΟ ΓΕΩΣΗΣ	CABO DE LIGAÇÃO À MASSA	MAADOITUSKAAPALI
EARTH LEAK RELAY	JORDFEILRELÉ	JORDSTRØMSRELÉ	ΡΕΛΕ ΔΙΑΡΡΟΗΣ ΣΤΟ ΕΛΑΦΟΣ	CONTACTOR DE CORR. DE TERRA	MAAVUOTORELE
EARTH MARK	JORDSYMBOL	JORDSYMBOL	ΣΗΜΕΙΟ ΓΕΩΣΗΣ	MARCA DE TERRA	MAADOITUSMERKKI
EARTH PIN	JORDINGSSTIFT	JORDSPYD	ΠΙΠΡΟΣ ΓΕΩΣΗΣ	PINO DE LIGAÇÃO À MASSA	MAADOITUSNASTA
EARTH RAIL	JORDINGSSKINNE	JORDINGSSKINNE	ΡΑΒΔΟΣ ΓΕΩΣΗΣ	CALHA DE LIGAÇÃO À MASSA	MAADOITUSKISKO
EARTH STRIP	JORDINGSLIST	JORDBÅND	ΤΑΙΝΙΑ ΓΕΩΣΗΣ	CABO DE LIGAÇÃO À MASSA	MAADOITUSLIUSKA
EARTH TERMINAL	JØRDNINGSKLEMMER	JØRDKLEMMER	ΑΚΡΟΔΕΚΤΗΣ ΓΕΩΣΗΣ	TERMINAL DE LIGAÇÃO À MASSA	MAADOITUSPINNE
ECCENTRIC RING	EKSENTERRING	EXCENTRISK RING	ΕΚΚΕΝΤΡΟΣ ΔΑΚΤΥΛΙΟΣ	ANEL EXCÊNTRICO	EPÄKESKORENGAS
EDGE PROTECTOR	KANTBESKYTTER	HJØRNEBESKYTTER	ΠΡΟΣΤΑΤΕΥΤΙΚΟ ΑΙΧΜΗΣ	PROTECTOR DE CANTOS	KULMAN SUOJAIN
EJECTOR	EJEKTOR	EJEKTOR	ΕΞΟΑΚΕΣ	EJECTOR	EJEKTORI
ELASTIC PIN	ELASTISK PINNE	EL. LUFTFILTER	ΕΛΑΣΤΙΚΟΣ ΠΙΠΡΟΣ	PERNO ELÁSTICO	JOUSTAVA TAPPI
ELBOW	ALBU	ELASTISK STIFT	ΓΩΝΙΑ	COTOVELO	PUTKIKÄYRÄ
ELBOW COUPLING	BEND	RØRVINKEL	ΓΩΝΙΑΚΟΣ ΣΥΝΔΕΣΜΟΣ	ACOPLAMENTO EM FORMA DE COTOVELO	KULMAYHDE
ELBOW FITTING	BEND	KNÆKOBLING	ΓΩΝΙΑΚΟ ΕΞΑΡΤΗΜΑ	ACESSÓRIO EM FORMA DE COTOVELO	KULMAYHDE
ELBOW PIPE	RØRKNÆ	KNÆRØR	ΓΩΝΙΑΚΟΣ ΣΩΛΗΝΑΣ	TUBO EM FORMA DE COTOVELO	KULMAPUTKI
ELBOW REDUCER	KNEREDUKSION	RØRKNÆ	ΓΩΝΙΑΚΟΣ ΜΕΙΩΤΗΡΑΣ	REDUTOR EM FORMA DE COTOVELO	KULMASUPISTIN
ELBOW UNION	KØPLINGSALBU	KNÆSAMLING	ΓΩΝΙΑΚΗ ΕΝΩΣΗ	UNIÃO EM COTOVELO	KULMAYHDE
ELECTRIC AIR FILTER	EL. LUFTFILTER	RØRVINKELKØBLING	ΣΤΟΙΧΕΙΟ ΦΙΛΤΡΟΥ ΑΕΡΑ	FILTRO DO AR ELÁSTICO	SÄHKÖTÖMÄNEN ILMANSUODATIN
ELECTROLYTE	ELEKTROLYTT	ELEKTROLYTT	ΗΛΕΚΤΡΟΛΥΤΗΣ	ELECTRÓLITO	ELEKTROLYTTI
ELEMENT	ELEMENT	ELEMENT	ΣΤΟΙΧΕΙΟ	ELEMENTO	ELEMENTTI
EMERGENCY RELAY	NØDSTØPRELÉ	NØDRELÉ	ΡΕΛΕ ΕΚΤΑΚΤΟΥ ΑΝΑΓΚΗΣ	RELÉ DE EMERGÊNCIA	HÄTÄRELE
EMERGENCY STOP	NØDSTOPP	NØDSTOP	ΣΤΟΠ ΕΚΤΑΚΤΟΥ ΑΝΑΓΚΗΣ	PARAGEM DE EMERGÊNCIA	HÄTÄKYTKIN
EMERGENCY VALVE	NØDVENTIL	NØDVENTIL	ΒΑΛΒΙΔΑ ΕΚΤΑΚΤΟΥ ΑΝΑΓΚΗΣ	VÁLVULA DE EMERGÊNCIA	VAROVENTTILI
END	ENDE	ENDE	ΑΚΡΟ	EXTREMIDADE	PÄÄTEKAPPALE
END BRACKET	STOPPBRACKETT	ENDEKONSOL	ΑΚΡΑΙΟ ΜΠΡΑΚΕΤΟ	SUPORTE TERMINAL	PÄÄTYKANNATIN
END CAP	ENDEHETTE	ENDEHETTE	ΑΚΡΑΙΟ ΚΑΠΑΚΙ	TAMPA TERMINAL	PÄÄTYTULPPA
END FRAME	ENDERAMME	ENDERAMME	ΑΚΡΑΙΟ ΠΛΑΙΣΙΟ	ESTRUTURA FINAL	PÄÄTYRUNKO

ENGLISH	NEDERLANDS	FRANCAIS	DEUTSCH	ESPAÑOL	SVENSKA	ITALIANO
END PANEL	EINDPANEEL	PANNEAU D'EXTREMITE	ENDPANEEL	PANEL EXTREMO	ÄNDPANEL	PANNELLO D'ESTREMITÀ
END PLATE	EINDPLAAT	PLAQUE D'EXTREMITE	ENDPLATTE	PLACA EXTREMA	ÄNDRICKA	PIASTRA D'ESTREMITÀ
END SECTION	EINDSTUK	SECTION D'EXTREMITE	ENDSTÜCK	SECCIÓN EXTREMA	ÄNDSTYCKE	SEZIONE D'ESTREMITÀ
END SOCKET	EINDMOF	DOUILLE D'EXTREMITE	ENDMUFFE	CASQUILLO EXTREMO	ÄNDHYLSA	PRESA D'ESTREMITÀ
END STOP	AANSLAG	BUTEE	ENDANSCHLAG	FRENO DEL EXTREMO	ÄNDSTOPP	BLOCCO D'ESTREMITÀ
ENGINE	MOTOR	MOTEUR	MOTOR	MOTOR	MOTOR	MOTORE
ENGINE COOLING FAN	MOTORVENTILATOR	VENTILATEUR DU MOTEUR	MOTORKÜHLLÜFTER	VENT. DEL. MOTOR	MOTORFLÄKT	VENTIL. RAFFREDD. MOTORE
ENGINE OIL	MOTOROLIE	HUILE POUR MOTEUR	MOTORÖL	ACEITE DEL DISPOSITIVO	MOTOROLIA	OLIO DEL MOTORE
ENGINE OIL PRESSURE	MOTOROLIEDRUK	PRESSION HUILE POUR MOTEUR	MOTORÖLDRUCK	PRESIÓN DE ACEITE DEL DISPOSITIVO	OLJETRYCK MOTOR	PRESSIONE DELL'OLIO DEL MOTORE
ENGINE OUTLET DUCT	UITLAATPIJP MOTOR	TUYAU D'ÉCHAPPEMENT	MOTORAUSSASSROHRLEITUNG	CONDUCTOR DESALIDA DEL DISP.	AVLOPPSLÄDNING MOTOR	CONDOTTO DI USCITA DEL MOTORE
ENGINE ROCKER COVER	KLEPDEKSEL MOTOR	MOTEUR CACHE-CULBUTEUR	ZYLINDERKOPFDECKEL	CUBIERTA BALANCÍN DEL DISP.	VIPLOCK MOTOR	COPERCHIO DEL. BILANC. DEL MOTORE
ENGINE SHUTDOWN	UITSCHAKELEN MOTOR	ARRÊT DU MOTEUR	MOTORABSCHALTUNG	APAGADO DE DISPOSITIVO	MOTORSTOPP	ARRESTO DEL MOTORE
ENGINE SUPPORT	MOTORSTEUN	SUPPORT DU MOTEUR	MOTORKONSOLE-/AUFNAHME	SOPORTE DEL DISPOSITIVO	MOTORSTÖD	SUPPORTO DEL MOTORE
ENGINE WATER TEMPERATURE	WATERTEMPERATUUR VAN MOTOR	TEMPERATURE EAU DE MOTEUR	KÜHLWASSERTEMPERATUR	TEMPERATURA DEL AGUA DEL DISP.	VATTENTEMPERATUR MOTOR	TEMPERATURA DELL'ACQUA DEL MOTORE
ENLARGING SLEEVE	VERGROTINGSHULS	MANCHON	VERWEITERUNGSBÜCHSE	MANGUTO DE ALARGUE	FÖRSTORINGSHYLSA	MANICOTTO PER INGRANDIMENTI
EQUALIZER	VEREFFENAAR	LEVIER DE COMPENSATION	AUSGLEICHER	ECUALIZADOR	UTJÄMNARE	EQUILIBRATORE
EXCHANGER	WISSELAAR	ECHANGEUR	AUSTAUSCHER	INTERCAMBIADOR	VÄXLARE	SCAMBIATORE
EXHAUST	UITLAAT	ECHAPPEMENT	AUSPUFF	TUBO DE ESCAPE	AVGAS	SCARICO
EXHAUST BLANKET	UITLAATMANTEL	COUVERTURE D'ÉCHAPPEMENT	AUSPUFFDECKE	CAPA PROTECTORA DEL ESCAPE	AVGASMANTEL	COPERTA DELLO SCARICO
EXHAUST CAP	UITLAATDEKSEL	CHAPE D'ÉCHAPPEMENT	AUSPUFFKAPPE	CUBIERTA DEL ESCAPE	AVGASLOCK	CAPPELLO DELLO SCARICO
EXHAUST COVER	UITLAATDEKSEL	COUVERCLE D'ÉCHAPPEMENT	ABGASDECKEL	TAPA DE ESCAPE	AVGASLOCK	COPERCHIO DELLO SCARICO
EXHAUST DUCT	UITLAATKANAAAL	CONDUIT D'ÉCHAPPEMENT	ABGASLEITUNG	COND. DE ESCAPE	AVGASLEDNING	CONDOTTO DI SCARICO
EXHAUST EXTENSION	VERLENGING UITLAAT	EXTENSION D'ÉCHAPPEMENT	AUSPUFFVERLÄNGERUNG	EXTENSIÓN DE ESCAPE	AVGASFÖRLÄNGNING	ESTENSIONE DELLO SCARICO
EXHAUST PIPE	UITLAATPIJP	TUYAU D'ÉCHAPPEMENT	AUSPUFFROHR	TUBO DE ESCAPE	AVGASRÖR	TUBO DI SCARICO
EXHAUST SILENCER	GELUIDDEMPER UITLAAT	SILENCIEUX	SCHALLDÄMPFER	SILENCIADOR DEL ESCAPE	AVGASDÄMPARE	SILENZIATORE DELLO SCARICO
EXHAUST SUPPORT	STEUN UITLAAT	SUPPORT D'ÉCHAPPEMENT	AUSPUFFSTÜTZE	SOPORTE DE ESCAPE	AVGASSTÖD	SUPPORTO DELLO SCARICO
EXPANDER	EXPANSIEPIJP	TUBE D'EXPANSION	EXPANSIONSROHR	TUBO DE EXPANSIÓN	EXPANS. FÖRSTÄRK.	ESPANSORE
EXPANSION CHAMBER	EXPANSIEKAMER	CHAMBRE D'EXPANSION	AUSGLEICHBEHÄLTER	CÁMARA DE EXPANSIÓN	EXPANSIONSKAMMARE	CAMERA DI ESPANSIONE
EXPANSION TANK	EXPANSIEVAT	VASE D'EXPANSION	EXPANSIONSGEFÄSS	TANQUE DE EXPANSIÓN	EXPANSIONSTANK	SERBATOIO DI ALIMENTAZIONE
EXPANSION VALVE	EXPANSIEVENTIEL	SOUPAPE DE DETENTE	EXPANSIONSVENTIL	VÁLV. DE EXPANSIÓN	EXPANSIONSVENTIL	VALVOLA DI ESPANSIONE
EXPANSION VESSEL	EXPANSIEKETEL	RESERVOIR D'EXPANSION	AUSDEHNUNGSGEFÄSS	DÉPÓS. EXPANSIÓN	EXPANSIONSKÄRL	RECIPENTE DI ESPANSIONE
EXTENSION	VERLENGING	ALLONGEMENT	VERLÄNGERUNG	PIEZA DE EXTENSIÓN	FÖRLÄNGNING	PROLUNGA
EXTENSION PIPE	VERLENGBUIS	TUYAU D'EXTENSION	AUSGLEICHRÖHR	TUBERÍA DE EXTENSIÓN	FÖRLÄNGNINGSRÖR	PROLUNGA
EXTINGUISHER	BRANDBLUSSER	EXTINCTEUR	FEUERLÖSCHER	EXTINTOR	ELDSLÄCKNINGSDON	ESTINTORE
EXTRACTOR	KLEPFLICHTER	EXTRACTEUR	AUSZIEHER	EXTRACTOR	LYFTVERKTYG	ESTRATTORE
EYE	OOG	ANNEAU	ÖSE	ANILLA REMOLQUE	ÖGLA	OCCHIELLO
EYE 50 MM	SLEEPOOG 50 MM	ANNEAU 50 MM	ÖSE 50 MM	OJO 50 MM	ÖGLA 50 MM	OCCHIELLO 50 MM
EYE AC	SLEEPOOG AC	ANNEAU AC	ÖSE AC	OJO CA	ÖGLA VÄXELSTRÖM	OCCHIELLO CA
EYE HOUSING	TREKOOGHUIS	CAGE, ANNEAU	ZÜGÖSENGEHÄUSE	RECINTO DE ANILLA REMOL.	HUS, DRAGÖGLA	ALLOGGIAMENTO DELL'OCCHIONE
EYE ITA	SLEEPOOG ITA	ANNEAU ITA	ÖSE ITA	OJO ITA	ÖGLA ITA	OCCHIELLO ITA
EYE NATO	SLEEPOOG NATO	ANNEAU NATO	ÖSE NATO	OJO NATO	ÖGLA NATO	OCCHIELLO NATO

F

FAN	VENTILATOR	VENTILATEUR	VENTILATORLÜFTER	VENTILADOR	FLÄKT	VENTILATORE
FAN ADAPTOR	ADAPTER VENTILATOR	ADAPTATEUR DE VENTILATEUR	LÜFTERADAPTER	ADAPTADOR DEL VENTILADOR	FLÄKTADAPTER	ADATTATORE DEL VENTILATORE
FAN BLADE	VENTILATORBLAD	PALE DE VENTILATEUR	VENTILATORFLÜGEL	ALETA DE VENTILADOR	FLÄKTBLAD	PALA DEL VENTILATORE
FAN COWL	VENTILATORHUIS	CAGE, VENTILATEUR	VENTILATORHAUBE	CAJA DEL VENTILADOR	FLÄKTRUMMA	CAPPOTTATURA DEL VENTILATORE
FAN DRIVE BELT	VENTILATORRIEM	COURROIE DE VENTILATEUR	LÜFTERANTRIEBSRIEMEN	CORREA COND. DEL VENTILADOR	DRIVEM FLÄKT	CINGHIA DI TRASM. DEL VENTILATORE
FAN GUARD	VENTILATORSCHERM	PROTECTEUR VENTILATEUR	VENTILATORSCHUTZ	PROTECCIÓN DEL VENTILADOR	FLÄKTSKYDD	PROTEZIONE DEL VENTILATORE
FAN GUIDE	VENTILATORGELEIDER	GUIDE DE VENTILATEUR	VENTILATORFÜHRUNG	GUÍA DE VENTILADOR	FLÄKTSYRNING	GUIDA DEL VENTILATORE
FAN HOUSING	VENTILATORBEHUIZING	ENVELOPE DE VENTILAT.	VENTILATORGEHÄUSE	CAJA DEL VENTILADOR	FLÄKTHUS	ALLOGGIO DEL VENTILATORE
FAN HUB	VENTILATORNAAF	MOYEU DE VENTILATEUR	VENTILATORNABE	CUBO DEL VENTILADOR	FLÄKTNAV	MOZZO DEL VENTILATORE
FAN MOTOR	VENTILATORMOTOR	MOTEUR DE VENTILATEUR	VENTILATORMOTOR	MOTOR DEL VENTILADOR	FLÄKTMOTOR	MOTORE DEL VENTILATORE
FAN PULLLEY	VENTILATORSCHIJF	POULIE DE VENTILATEUR	LÜFTERRIEMENSCHIBE	POLEA DEL VENTILADOR	REMSKIVA FLÄKT	PULEGGIA DEL VENTILATORE
FAN RING	VENTILATORRING	ANNEAU DE VENTILATEUR	VENTILATORRING	ANILLO DEL VENTILADOR	FLÄKTRING	ANELLO DEL VENTILATORE
FAN SCREEN	AFSCHERMING VENTILATOR	ECRAN DE VENTILATEUR	LÜFTERABDECKUNG	PANTALLA DEL VENTILADOR	FLÄKTSKÄRM	SCHERMO DEL VENTILATORE
FAN SHAFT	VENTILATORAS	ARBRE DE VENTILATEUR	VENTILATORWELLE	EJE DEL VENTILADOR	FLÄKTAXEL	ALBERO DEL VENTILATORE
FAN SPACER	AFASTANDSTUK VENTILATOR	ESPACEMT DE VENTILATEUR	LÜFTERABSTANDSTÜCK	ESPAZIADOR DEL VENTILADOR	DISTANSSTYCKE FLÄKT	DISTANZIATORE DEL VENTILATORE
FAN SUPPORT	VENTILATORSTEUN	SUPPORT DE VENTILATEUR	VENTILATORSTÜTZE	SOPORTE DEL VENTILADOR	FLÄKTSTATIV	SUPPORTO DEL VENTILATORE
FASCIA PANEL	INSTRUMENTENBORD	PANNEAU FACIAL	INSTRUMENTENBRETT	PANEL DE INSTRUMENTACIÓN	INSTRUMENTPANEL	PANNELLO STRUMENTI
FASTENER	BEVESTIGING	ATTACHE	BEFESTIGUNGSELEMENT	FIJADOR	FÄSTE	DISPOSITIVO DI FISSAGGIO
FASTENING PLATE	BEVESTIGINGSPLAAT	PLAQUE DE FIXATION	BEFESTIGUNGSPLATTE	PLACA DE FIJACIÓN	FÄSTPLÅT	PIASTRA DI FISSAGGIO
FEELER GAUGE	VOELDMAAT	INDICATEUR	FÜHLERLEHRE	GALGA DE ESPESORES	BLADMÄTT	SPESIMETRO
FELT DISK	VILTSCHIJF	DISQUE FEUTRE	FILZSCHEIBE	DISCO DE FIELTRO	FILTSKIVA	DISCO DI FELTRO
FELT FILTER ELEMENT	FILTERELEMENT (VILT)	FILTRE (FEUTRE)	FILTERELEMENT (FILZ)	FILTRO (FIELTRO)	FILTERELEMENT (FILT)	ELEMENTO FILTRANTE (FELTRO)
FEMALE FITTING	VR. KOPPELING	RACCORD FEMELLE	AUFN. VERBINDUNGSELEMENT	CONECTOR HEMBRA	INNERGÅNGA	ACCESSORIO FEMMINA
FEMALE ROTOR	VROUWELIJKE ROTOR	ROTOR FEMELLE	NEBENLÄUFER	ROTOR HEMBRA	SLIDROTOR	ROTORE FEMMINA
FEMALE SWIVEL	VR. WARTEL	PIVOT FEMELLE	AUFNEHMENDES DREHGELENK	PLACA GIRATORIA HEMBRA	INRE SVÄNGHJUL	PORTE GIREVOLE FEMMINA
FERRULE	METALEN DOP	BAGUE	ZWINGE	CASQUILLO	BESLAG	GHIERA
FIBRE MAT	FIBER MAT	TAPIS DE FIBRE	FASERMATTE	PLACA DE FIBRA	FIBERMATTA	FELTRO IN FIBRE
FIBRE PLATE	FIBER PLAAT	PLAQUE DE FIBRE	FASERPLATTE	PLACA DE FIBRA	FIBERPLATTA	PIASTRA IN FIBRE
FIELD, EXCITER-	VELD, OPWEKKER	CHAMP EXCITATEUR	FELD, ERREGER	EXCITADOR DE CAMPO	FÄLT, IMPULSGIVARE	ECCTIATRICE DI CAMPO
FIELD COIL	VELDSPOEL	BOBINE DE CHAMP	FELDSPULE	BOBINA DE CAMPO	FÄLTPOLE	BOBINA DI CAMPO
FIELD CORE	VELDKERN	NOYAU DE CHAMP	FELDKERN	NÚCLEO DE CAMPO	FÄLTKÄRNA	NUCLEO DI CAMPO
FILL LINE	VULMATERIAAL	LIGNE DE REMPLISSAGE	FÜLLEITUNG	LINEA DE LLENADO	PÄFYLLNINGSLINE	LINEA DI RIEMPIMENTO
FILLER CAP	VULDOP	BOUCHON, REMPLISSAGE	EINFÜLLKAPPE	TAPÓN DE LLENADO	PÄFYLLNINGSLÖCK	COPERCHIO DEL TUBO DI RIEMPIMENTO
FILLER NECK	VULHALS	TUBULURE DE REMPLISSAGE	EINFÜLLSTUTZEN	EMBUDO DE LLENADO	PÄFYLLNINGSHALS	COLLO DEL TUBO DI RIEMPIMENTO
FILLER PIPE	VULBUIS	TUYAU DE REMPLISSAGE	EINFÜLLROHR	TUBO DE LLENADO	PÄFYLLNINGSRÖR	TUBO DI RIEMPIMENTO
FILLER PLUG	VULPLUG	BOUCHON DE REMPLISSAGE	EINFÜLLVERSCHLUSS	TAPÓN DE LLENADO	PÄFYLLNINGSSKRUV	TAPPO DI RIEMPIMENTO
FILLER TUBE	VULBUIS	TUBE DE REMPLISSAGE	EINFÜLLROHR	TUBO DE LLENADO	PÄFYLLNINGSRÖR	TUBO DI RIEMPIMENTO
FILTER	FILTER	FILTRE	FILTER	FILTRO	FILTER	FILTRO
FILTER BODY	FILTERLICHAAM	CORPS DE FILTRE	FILTERKÖRPER	CUERPO DEL FILTRO	FILTERHUS	CORPO DEL FILTRO
FILTER COVER	FILTERDEKSEL	COUVERCLE DE FILTRE	FILTERABDECKUNG	CUBIERTA DEL FILTRO	FILTERLOCK	COPERTURA DEL FILTRO
FILTER DISC	FILTERSCHIJF	DISQUE FILTREUR	FILTERRAHMEN	DISCO DEL FILTRO	FILTERSKIVA	DISCO DEL FILTRO
FILTER DUO PACK	DUO FILTER	FILTRE DOUBLE	DOPPELFILTER	CONJUNTO DUO DEL FILTRO	DUBBELPACKNING FILTER	BI-PACCHETTO DEL FILTRO
FILTER ELEMENT	FILTERELEMENT	ELEMENT DE FILTRE	FILTERELEMENT	ELEMENTO DEL FILTRO	FILTERELEMENT	ELEMENTO FILTRANTE
FILTER HEAD	FILTERKOPF	TÊTE DE FILTRE	FILTERKOPF	CABEZA DEL FILTRO	FILTERHUVUD	TESTA DEL FILTRO
FILTER HOUSING	FILTERHUIS	BOÎTIER DE FILTRE	FILTERGEHÄUSE	RECINTO DEL FILTRO	FILTERHUS	ALLOGGIO DEL FILTRO
FILTER PLATE	FILTERPLAAT	PLAQUE DE FILTRE	FILTERPLATTE	PLACA DEL FILTRO	FILTERPLATTA	PIASTRA DEL FILTRO
FILTER SUPPORT	FILTERSTEUN	SUPPORT DE FILTRE	FILTERAUFNAHME	SOPORTE DEL FILTRO	FILTERSTÖD	SUPPORTO DEL FILTRO
FILTER TUBE	FILTERBUIS	TUYAU DE FILTRE	FILTERROHR	TUBO DEL FILTRO	FILTERRÖR	TUBO DEL FILTRO
FILTER, COMPL.	FILTER, COMPLETEET	FILTRE COMPLET	FILTER, KOMPL.	FILTRO, COMPLETO	FILTER, KOMPL.	FILTRO, COMPLETO
FILTERHOOD	FILTERKAP	CAPOT DE FILTRE	FILTERKAPPE	CUBIERTA DEL FILTRO	FILTERKÅPA	CAPPUCIO DEL FILTRO
FILTERWOOL	FILTERWOL	LAINE FILTRANTE	FILTERWOLLE	LANA FILTRANTE	FILTERULL	LANA FILTRANTE
FINAL FILTER	EINDFILTER	FILTRE FINAL	ENDFILTER	FILTRO FINAL	FINFILTER	FILTRO FINALE
FIRE EXTINGUISHER	BRANDBLUSSER	EXTINCTEUR	FEUERLÖSCHER	EXTINTOR DE INCENDIOS	BRANDSLÄCKARE	ESTINTORE
FIT BOLT	MONTAGEBOUT	BOULON DE MONTAGE	PASSBOLZEN	PERNO DE MONTAJE	MONTERINGSBULT	BULLONE DI ACCOPPIAMENTO
FITTING	FITTING	RACCORD	ANSCHLUSSSTÜCK	ACCESORIO	ARMATUR	ACCESSORIO
FITTING TOOL	MONTAGEWERKTUIG	OUTIL DE FIXATION	MONTAGEWERKZEUG	HERRAMIENTA DE MONTAJE	MONTERINGSVERKTYG	UTENSILE DI MONTAGGIO

ENGLISH	NORSK	DANSK	ΕΛΛΗΝΙΚΑ	PORTUGUÊS	SUOMI
END PANEL	ENDEPANEL	ENDEPANEL	ΑΚΡΑΙΟ ΦΥΛΑΟ	PAINEL FINAL	PÄÄTYLEVY
END PLATE	ENDEPLATE	ENDEPLATE	ΑΚΡΑΙΟ ΕΛΑΣΜΑ	PLACA FINAL	PÄÄTYLEVY
END SECTION	ENDESTYKKE	ENDESTYKKE	ΑΚΡΑΙΟ ΤΜΗΜΑ	SECÇÃO FINAL	PÄÄTYKAPPALE
END SOCKET	ENDEHYLSE	ENDEMUFFE	ΑΚΡΑΙΑ ΥΠΟΔΟΧΗ	TOMADA TERMINAL	PÄÄTYHOLKKI
END STOP	ENDESTOPPER	ENDESTOP	ΑΚΡΑΙΑ ΑΝΑΚΟΙΗ	PONTO TERMINAL	PÄÄTEPYSÄYTIM
ENGINE	MOTOR	MOTOR	ΚΙΝΗΤΗΡΑΣ	MOTOR	MOOTTORI
ENGINE COOLING FAN	MOTORKJØLEVIFTE	MOTORAFKØLINGSVENTILATOR	ΑΝΕΜΙΣΤΗΡΑΣ ΨΥΞΗΣ ΚΙΝΗΤΗΡΑ	VENTOÍNHA DE REFR. DO MOTOR	MOOTTORIN JÄÄHDYTYSTUULETIN
ENGINE OIL	MOTOROLJE	MOTOROLJE	ΕΛΑΙΟ ΚΙΝΗΤΗΡΑ	ÓLEO DO MOTOR	MOOTTORIÖLJY
ENGINE OIL PRESSURE	MOTORENS OLJETRYKK	MOTORENS OLJETRYK	ΠΙΕΣΗ ΕΛΑΙΟΥ ΚΙΝΗΤΗΡΑ	PRESSÃO DO ÓLEO DO MOTOR	MOOTTORIN ÖLJYNPAINE
ENGINE OUTLET DUCT	MOTORENS UTLØPSKANAL	MOTORENS UTLØPSKANAL	ΑΓΩΓΟΣ ΕΞΑΓΩΓΗΣ ΚΙΝΗΤΗΡΑ	CONDUTA DE SAÍDA DO MOTOR	MOOTTORIN PAKOPUTKI
ENGINE ROCKER COVER	VENTILDEKSEL	VENTILDEKSEL	ΚΑΛΥΜΜΑ ΑΙΣΤΗΡΑ ΚΙΝΗΤΗΡΑ	COBERTURA BASCULANTE DO MOTOR	MOOTTORIN KÄÄNTÖKANSI
ENGINE SHUTDOWN	MOTORSTOPP	MOTORSTOP	ΣΒΗΣΙΜΟ ΚΙΝΗΤΗΡΑ	PARAGEM DO MOTOR	MOOTTORIN PYSÄYTYS
ENGINE SUPPORT	MOTOROPPHENG, MOTORSTØTTE	MOTORUNDERLAG-OPHÆNG	ΒΑΣΗ ΚΙΝΗΤΗΡΑ, ΣΤΗΡΙΞΗ ΚΙΝΗΤΗΡΑ	APOIO DO MOTOR	MOOTTORINTUKI
ENGINE WATER TEMPERATURE	MOTORENS SKOLEVANNSTEMPERAUR	MOTORENS SKOLEVANNSTEMPERAUR	ΘΕΡΜΟΚΡΑΣΙΑ ΝΕΡΟΥ ΚΙΝΗΤΗΡΑ	TEMPERATURA DA ÁGUA DO MOTOR	MOOTTORIN VEDENLÄMPÖTILA
ENLARGING SLEEVE	FORSTØRRELSSEHVLSE	FORSTØRRELSSEBØSNING	ΕΛΛΗΝΙΚΑ	MANGA DE EXPANSÃO	LAAJENNUSHOLKKI
EQUALIZER	EQUALIZER	UDLIGNER	ΔΙΑΣΤΟΛΙΚΟ ΧΙΤΩΝΙΟ	COMPENSADOR	TASAIN
EXCHANGER	VEKSLER	OMSKIFTER	ΙΣΟΣΤΑΘΜΙΣΤΗΣ	PERMUTADOR	VAIHDIR
EXHAUST	UTLØP	UDSTØDNING	ΕΝΑΑΑΑΚΤΗΣ	ESCAPE	POISTO, PAKO
EXHAUST BLANKET	EKSOSMANTEL	UDSTØDNINGSSKAPPE	ΕΞΑΤΜΙΣΗ	COBERTOR DE ESCAPE	PAKOPUTKEN LÄMPÖERISTE
EXHAUST CAP	EKSOSHEITTE	UDSTØDNINGSHÆTTE	ΠΕΡΙΒΑΛΜΑ ΕΞΑΤΜΙΣΗΣ	TAMPA DE ESCAPE	POISTOJUOLEN KANSI
EXHAUST COVER	EKSOSDEKSEL	UDSTØDNINGSSKÆRM	ΚΑΛΥΜΜΑ ΕΞΑΤΜΙΣΗΣ	COBERTURA DO ESCAPE	POISTOJUOLEN KANSI
EXHAUST DUCT	EKSOSLEDNING	UDSTØDNINGSKABEL	ΚΑΛΥΜΜΑ ΕΞΑΤΜΙΣΗΣ	CONDUTA DE ESCAPE	PAKOKANAVA
EXHAUST EXTENSION	EKSOSFORLÆNGER	UDSTØDNINGSFORLÆNGER	ΑΓΩΓΟΣ ΕΞΑΤΜΙΣΗΣ	EXTENSÃO DE ESCAPE	PAKOPUTKEN JATKOKAPPALE
EXHAUST PIPE	EKSOSRØR	UDSTØDNINGSRØR	ΠΡΟΕΚΤΑΣΗ ΕΞΑΤΜΙΣΗΣ	TUBO DE ESCAPE	PAKOPUTKI
EXHAUST SILENCER	EKSOSPOTTE	LYDPOTTE	ΣΩΛΗΝΑΣ ΕΞΑΤΜΙΣΗΣ	SILENCIADOR DE ESCAPE	PAKOPUTKEN ÄÄNENVAIMENNIN
EXHAUST SUPPORT	EKSOSOPPHENG	UDSTØDNINGSOFFHENG	ΣΤΙΓΜΗΤΗΡΑΣ ΕΞΑΤΜΙΣΗΣ	APOIO DE ESCAPE	PAKOPUTKEN KANNATIN
EXPANDER	EKSPANDER	FORSTÆRKER	ΒΑΣΗ ΕΞΑΤΜΙΣΗΣ	EXPANSOR	TASAUSPUTKI
EXPANSION CHAMBER	EKSPANSIONSKAMMER	EKSPANSIONSKAMMER	ΔΙΑΣΤΟΛΕΑΣ	CÂMARA DE EXPANSÃO	PAISUNTAKAMMIO
EXPANSION TANK	EKSPANSIONSTANK	EKSPANSIONSTANK	ΘΑΛΑΜΟΣ ΕΚΤΟΝΩΣΗΣ	TANQUE DE EXPANSÃO	PAISUNTAASÄILÖ
EXPANSION VALVE	EKSPANSIONSVENTIL	EKSPANSIONSVENTIL	ΔΟΧΕΙΟ ΔΙΑΣΤΟΛΗΣ	VÁLVULA DE EXPANSÃO	PAISUNTAVENTTILI
EXPANSION VESSEL	EKSPANSIONSBEHOLDER	EKSPANSIONSBEHOLDER	ΒΑΛΒΙΔΑ ΔΙΑΣΤΟΛΗΣ	RESERVATÓRIO DE EXPANSÃO	PAISUNTA-ASTIA
EXTENSION	FORLÆNGING	FORLÆNGER	ΔΟΧΕΙΟ ΔΙΑΣΤΟΛΗΣ	EXTENSÃO	JATKE
EXTENSION PIPE	FORLÆNGELSESRØR	FORLÆNGELSESRØR	ΠΡΟΕΚΤΑΣΗ	TUBO DE EXPANSÃO	JATKOPUTKI
EXTINGUISHER	BRANNSLØKKINGSAPPARAT	ILDSLUKKER	ΣΩΛΗΝΑΣ ΠΡΟΕΚΤΑΣΗΣ	EXTINTOR	SAMMUTIN
EXTRACTOR	UTTREKKER	LØFTEVÆRKTØJ	ΠΥΡΟΣΒΕΣΤΗΡΑΣ	EXTRACTOR	IRRUTUSTYÖKALU
EYE	ØYE	LØFTEØJE	ΕΞΟΑΚΕΑΣ	OLHAL	SILMUKKA
EYE 50 MM	ØYE 50 MM	ØJE 50 MM	ΔΑΚΤΥΛΙΟΣ	OLHAL DE 50 MM	SILMUKKAMUKKA 50 MM
EYE AC	ØYE AC	ØJE AC	ΔΑΚΤΥΛΙΟΣ 50 MM	OLHAL DE CA	VETOSILMUKKA AC
EYE HOUSING	HUS FOR TREKKØYE	SKÆRM TIL LØFTEØJE	ΔΑΚΤΥΛΙΟΣ ΑC	CAIXA DO OLHAL	VETOSILMUKAN KOTILO
EYE ITA	ØYE ITA	ØJE ITA	ΚΕΛΥΦΟΣ ΔΑΚΤΥΛΙΟΥ	OLHAL ITA	VETOSILMUKKA ITA
EYE NATO	ØYE NATO	ØJE NATO	ΔΑΚΤΥΛΙΟΣ ITA	OLHAL NATO	VETOSILMUKKA NATO

F					
FAN	VIFTE	VENTILATOR	ΑΝΕΜΙΣΤΗΡΑΣ	VENTOÍNHA	TUULETIN
FAN ADAPTOR	VIFTEADAPTER	VENTILATORADAPTER	ΠΡΟΣΑΡΜΟΓΕΑΣ ΑΝΕΜΙΣΤΗΡΑ	ADAPTADOR DA VENTOÍNHA	TUULETTIMEN SOVITIN
FAN BLADE	VIFTEBLAD	VENTILATORVINGE	ΠΤΕΡΥΓΙΟ ΑΝΕΜΙΣΤΗΡΑ	PÁ DA VENTOÍNHA	TUULETTIMEN LAPA
FAN COWL	VIFTEKAPPE	VENTILATORHÆTTE	ΜΥΘΗ ΑΝΕΜΙΣΤΗΡΑ	COBERTURA DA VENTOÍNHA	TUULETTIMEN KEHYS
FAN DRIVE BELT	VIFTEREM	VENTILATORREM	ΙΜΑΝΤΑΣ ΚΙΝΗΣΗΣ ΑΝΕΜΙΣΤΗΡΑ	CORREIA ACCIONADORA DA VENTOÍNHA	TUULETTIMEN HIHNA
FAN GUARD	VIFTEVERN	VENTILATORSKÆRM	ΠΡΟΦΥΛΑΚΤΗΡΑΣ ΑΝΕΜΙΣΤΗΡΑ	PROTEÇÃO DA VENTOÍNHA	TUULETTIMEN SUOJUS
FAN GUIDE	VIFTEFØRER	VENTILATORSTYR	ΟΗΓΟΣ ΑΝΕΜΙΣΤΗΡΑ	GUIA DA VENTOÍNHA	TUULETTIMEN OHJAIN
FAN HOUSING	VIFTEHUS	VENTILATORHUS	ΚΕΛΥΦΟΣ ΑΝΕΜΙΣΤΗΡΑ	CAIXA DA VENTOÍNHA	TUULETTIMEN KOTILO
FAN HUB	VIFTENAV	VENTILATORNAV	ΠΑΛΗΜΗ ΑΝΕΜΙΣΤΗΡΑ	CUBO DA VENTOÍNHA	TUULETTIMEN NAPA
FAN MOTOR	VIFTEMOTOR	VENTILATORMOTOR	ΗΛΕΚΤΡΟΚΙΝΗΤΗΡΑΣ ΑΝΕΜΙΣΤΗΡΑ	MOTOR DA VENTOÍNHA	TUULETTINMOOTTORI
FAN PULLEY	VIFTEREMSKIVE	VENTILATORREMSKIVE	ΤΡΟΧΑΙΑ ΑΝΕΜΙΣΤΗΡΑ	POLIA DA VENTOÍNHA	TUULETTIMEN HIHNAPYÖRÄ
FAN RING	VIFTERING	VENTILATORRING	ΔΑΚΤΥΛΙΟΣ ΑΝΕΜΙΣΤΗΡΑ	ANEL DA VENTOÍNHA	TUULETTIMEN KEHÄ
FAN SCREEN	VIFTERIST	VENTILATORRIST	ΣΧΑΡΑ ΑΝΕΜΙΣΤΗΡΑ	RESGUARDO DA VENTOÍNHA	TUULETTIMEN SUOJUS
FAN SHAFT	VIFTEAKSEL	VENTILATORAKSEL	ΑΞΟΝΑΣ ΑΝΕΜΙΣΤΗΡΑ	VEIO DA VENTOÍNHA	TUULETTIMEN AKSELI
FAN SPACER	VIFTEAVSTANDSSTYKKE	VENTILATORAFSTANDSSTYKKE	ΔΑΚΤΥΛΙΟΣ ΑΝΕΜΙΣΤΗΡΑ	SEPARADOR DA VENTOÍNHA	TUULETTIMEN VÄLKEKAPPALE
FAN SUPPORT	VIFTESTØTTE	VENTILATORUNDERLAG	ΒΑΣΗ ΑΝΕΜΙΣΤΗΡΑ, ΣΤΗΡΙΓΜΑ ΑΝΕΜΙΣΤΗΡΑ	SUPORTE DA VENTOÍNHA	TUULETTIMEN KANNATIN
FASCIA PANEL	INSTRUMENTPANEL	INSTRUMENTPANEL	ΠΡΟΣΟΨΗ	TABLIER	KOJETAULU
FASTENER	FASTEANORDNING	FASTGØRINGSANORDNING	ΣΩΓΚΤΗΡΑΣ	GRAMPO	KIINNITIN
FASTENING PLATE	FESTEPLATE	FASTGØRINGSPLADE	ΕΛΑΣΜΑ ΣΥΣΦΙΞΗΣ	PLACA DE FIXAÇÃO	KIINNTYLSLEVY
FEELER GAUGE	FØLER	SØGER	ΨΗΛΑΦΗΤΗΣ ΜΕΤΡΗΣΗΣ ΕΛΕΓΧΟΥ	CALIBRADOR DE FOLGAS	RAKOTULKKI
FELT DISK	FILTISKIVE	FILTPLADE	ΤΣΟΧΙΝΟΣ ΔΕΚΟΣ	DISCO DE FELTRO	HUOPALAIKKA
FELT FILTER ELEMENT	FILTERELEMENT (FILT)	FILTERELEMENT (FILT)	ΤΣΟΧΙΝΟ ΣΤΟΙΧΕΙΟ ΦΙΑΤΡΟΥ	ELEM. DE FILTRO DE FELTRO	HUOPAINEN SUODATINPATRUUNA
FEMALE FITTING	RØRDEL, MED INNVENDIGE GIENGER	HUN-FITTING	ΘΗΛΥΚΟ ΕΞΑΓΩΓΗΣ	ACESSÓRIO FÊMEA	SISÄKIERTÄINEN PUTKILITIN
FEMALE ROTOR	SLEIDEROTOR	HUNROTOR	ΘΗΛΥΚΟ ΣΤΡΟΦΕΙΟ	ROTOR FÊMEA	PUTKIROOTTORI
FEMALE SWIVEL	SVIVEL, MED INNVENDIGE GIENGER	HUN-DREJELED	ΘΗΛΥΚΟΣ ΣΤΡΟΦΕΑΣ	TORNEL FÊMEA	SISÄKIERTÄINEN KIERTOHAKA
FERRULE	BØSSING	RØRRING	ΣΤΕΦΑΝΗ	CASQUILHO	TERÄSSUOJUS
FIBRE MAT	FIBERMATTE	FIBERMÁTTE	ΕΠΙΦΑΝΕΙΑ ΦΑΪΜΠΕΡ	MATERIAL FIBROSO	KUITUMATTO
FIBRE PLATE	FIBERPLATE	FIBERPLADE	ΦΥΛΑΟ ΦΑΪΜΠΕΡ	PLACA FIBROSA	KUITULEVY
FIELD, EXCITER-	FELT, PULSGIVER	FELT, PULSGIVER	ΕΠΑΓΩΓΕΑΣ	CONJUNTO DO EXCITADOR DE CAMPO	KENTÄN HERÄTIN
FIELD COIL	FELTSPOLE	FELTSPOLE	ΠΥΡΗΝΑΣ ΕΠΑΓΩΓΕΑΣ	BOBINE DE CAMPO	KENTÄKÄÄMI
FIELD CORE	FELTKJERNE	FELTKERNE	ΣΥΣΤΗΜΑ ΕΠΑΓΩΓΕΑΣ, ΔΙΕΓΕΡΤΗΣ	NÚCLEO DE CAMPO	KENTÄKÄÄMIN SYDÄN
FILL LINE	PÄFYLLINGSLEDNING	PÄFYLDNINGSLÆDNING	ΓΡΑΜΜΗ ΠΑΡΗΣΗΣ	LINHA DE ENCHIMENTO	TÄYTYÄINE
FILLER CAP	PÄFYLLINGSLOKK	PÄFYLDNINGSHÆTTE	ΚΑΠΑΚΙ ΠΑΡΗΣΗΣ	TAMPA DE ENCHIMENTO	TÄYTTÖAUKON KANSI
FILLER NECK	PÄFYLLINGSSTUSS	PÄFYLDNINGSHALS	ΛΑΙΜΟΣ ΠΑΡΗΣΗΣ	BOCAL DE ENCHIMENTO	TÄYTTÖAUKKO
FILLER PIPE	PÄFYLLINGSRØR	PÄFYLDNINGSRØR	ΣΩΛΗΝΑΣ ΠΑΡΗΣΗΣ	TUBO DE ENCHIMENTO	TÄYTTÖPUTKI
FILLER PLUG	PÄFYLLINGSPLUGG	PÄFYLDNINGSPROP	ΤΑΠΑ ΠΑΡΗΣΗΣ	OBTURADOR DE ENCHIMENTO	TÄYTTÖAUKON TULPPA
FILLER TUBE	PÄFYLLINGSRØR	PÄFYLDNINGSRØR	ΣΩΛΗΝΑΣ ΠΑΡΗΣΗΣ	TUBO DE ENCHIMENTO	TÄYTTÖPUTKI
FILTER	FILTER	FILTER	ΦΙΑΤΡΟ	FILTRO	SUODATIN
FILTER BODY	FILTERLEGEME	FILTERLEGEME	ΣΩΜΑ ΦΙΑΤΡΟΥ	CORPO DO FILTRO	SUODATTIMEN RUNKO
FILTER COVER	FILTERDEKSEL	FILTERSKÆRM	ΚΑΛΥΜΜΑ ΦΙΑΤΡΟΥ	COBERTURA DO FILTRO	SUODATTIMEN KANSI
FILTER DISC	FILTERSKIVE	FILTERPLADE	ΔΕΚΟΣ ΦΙΑΤΡΟΥ	DISCO DO FILTRO	SUODATINLEVY
FILTER DUO PACK	DOBBELT FILTER	DOBBELT FILTER	ΔΙΠΛΟ ΣΥΣΤΗΜΑ ΦΙΑΤΡΟΥ	CONJUNTO DE DOIS FILTROS	KAHDEN SUODATTIMEN SARJA
FILTER ELEMENT	FILTERELEMENT	FILTERELEMENT	ΣΤΟΙΧΕΙΟ ΦΙΑΤΡΟΥ	ELEMENTO DE FILTRO	SUODATINPATRUUNA
FILTER HEAD	FILTEROPP	FILTERHOVED	ΚΕΦΑΛΗ ΦΙΑΤΡΟΥ	CABEÇA DE FILTRO	SUODATINPÄÄ
FILTER HOUSING	FILTERHUS	FILTERBESKYTTELSE	ΚΕΛΥΦΟΣ ΦΙΑΤΡΟΥ	CAIXA DE FILTRO	SUODATINKOTILO
FILTER PLATE	FILTERPLATE	FILTERPLADE	ΕΛΑΣΜΑ ΦΙΑΤΡΟΥ	PLACA DO FILTRO	SUODATINLEVY
FILTER SUPPORT	FILTERSTØTTE	FILTERSTØTTE	ΣΤΗΡΙΓΜΑ ΦΙΑΤΡΟΥ	APOIO DO FILTRO	SUODATTIMEN KANNATIN
FILTER TUBE	FILTERRØR	FILTERRØR	ΣΩΛΗΝΑΣ ΦΙΑΤΡΟΥ	TUBO DO FILTRO	SUODATINPUTKI
FILTER, KOMPL.	FILTER, KOMPL.	FILTER, KOMPL.	ΦΙΑΤΡΟ, ΠΑΡΗΣΗΣ	FILTRO COMPLETO	SUODATIN, TÄYDELLINEN
FILTERHOOD	FILTERDEKSEL	FILTERKÁBE	ΠΕΡΙΒΑΛΜΑ ΦΙΑΤΡΟΥ	INVÓLUCRO DO FILTRO	SUODATINKUPU
FILTERWOOL	FILTERULL	FILTERULD	ΥΑΛΟΒΑΜΒΑΚΑΣ	LÁ DE FILTRAGEM	SUODATINVILLA
FINAL FILTER	FINFILTER	SLUTFILTER	ΤΕΛΙΚΟ ΦΙΑΤΡΟ	FILTRO FINAL	HIENOSUODATIN
FIRE EXTINGUISHER	BRANNSLØKKINGSAPPARAT	ILDSLUKKER	ΠΥΡΟΣΒΕΣΤΗΡΑΣ	EXTINTOR DE INCÊNDIO	SAMMUTIN
FIT BOLT	FESTEBOLT	MONTERINGSBOLT	ΕΦΑΡΜΟΣΤΟΣ ΚΟΧΛΙΑΣ	PARAFUSO DE MONTAGEM	SOVITUSPULTTI
FITTING	RØRDEL	MONTERING	ΕΞΑΓΩΓΗ	UNIÃO	HELA, PUTKILITIN
FITTING TOOL	MONTERINGSVERKTØY	MONTERINGSVÆRKTØJ	ΕΡΓΑΛΕΙΟ ΕΞΑΓΩΓΗΣ	FERRAMENTA DE MONTAGEM	ASENNUSTYÖKALU

ENGLISH	NEDERLANDS	FRANCAIS	DEUTSCH	ESPAÑOL	SVENSKA	ITALIANO
FIXATION	BEVESTIGING	FIXATION	BEFESTIGUNG	FIJACIÓN	FIXERING	FISSAZIONE
FIXATION PLATE	BEVESTIGINGSPLAAT	PLAQUE DE FIXATION	SICHERUNGSBLECH	PLACA DE FIJACIÓN	FIXERINGSPLÅT	PIASTRA DI FISSAZIONE
FIXING ANGLE	BEVESTIGINGSHOEK	ANGLE DE FIXATION	ECKBLECH	ÁNGULO DE FIJACIÓN	FÄSTVINKEL	ANGOLO DI FISSAGGIO
FIXING PLATE SET	SET BEVESTIGINGSPLAAT	JEU PLAQUE DE FIXATION	BEFESTIGUNGSPLATTENSATZ	CONJUNTO DELA PLACA DE FIJACIÓN	FÄSTPLÅTSATS	SERIE DELLA PIASTRA DI FISSAGGIO
FIXING STRIP	BEVESTIGINGSSTRIP	BANDE DE FIXATION	LASCHE	CINTA DE FIJACIÓN	FÄSTREMSA	NASTRO DI FISSAGGIO
FLANGE	FLENS	BRIDE	FLANSCH	BRIDA	FLÄNS	FLANGIA
FLANGE BUSH	FLENSBUS	DOUILLE A BRIDE	FLANSCHBUCHSE	COLLAR DE BRIDA	FLÄNSHYLSA	BUSSOLA A FLANGIA
FLAP	BESCHERMING	PROTECTION	SCHUTZ	ALETA	SKYDD	PIANO CERNIERATO
FLARE NUT	KRAAGMOER	ECROU A COLLET	ACHSMUTTER	TUERCA ABOCINADA	MUTTER	DADO SVASATO
FLASHER RELAY	RELAIS, KNIPPER-PLATTE STRIP	RELAIS DE FLASH	FLACKERRELAIS	RELÉ DEL INTERRUPTOR	BLINKRELÄ	RELE' LAMPEGGIATORE
FLAT BAR	VLAKKE AFDICHTING	BARRE PLATE	FLACHE STANGE	BARRA PLANA	PLATT STÅNG	BIDONE
FLAT GASKET	VLAKKE AFDICHTING	GARNITURE PLATE	FLACHDICHTUNG	JUNTA PLANA	FLAT PACKNING	GUARNIZIONE PIATTA
FLEXIBLE	SLANG	FLEXIBLE	FLEXIBELE BUCHSE	BUJE FLEXIBLE	BÖJLIG BUSSNING	BUSSOLA FLESSIBILE
FLEXIBLE BUSH	BUIGZAME BUS	DOUILLE FLEXIBLE	FLEXIBLES ELEMENT	ELEMENTO FLEXIBLE	FLEXIBEL	FLESSIBILE
FLEXIBLE CABLE	FLEXIBELE KABEL	CABLE FLEXIBLE	FLEXIBLES KABEL	CABLE FLEXIBLE	FLEXIBEL KABEL	CAVO FLESSIBILE
FLEXIBLE CONDUIT	FLEXIBELE AANSLUITING	CONDUIT FLEXIBLE	FLEXIBLE LEITUNG	CONDUCTO FLEXIBLE	FLEXIBEL LEDNING	CONDOTTO FLESSIBILE
FLEXIBLE COUPLING	FLEXIBELE KOPPELING	RACCORDEMENT FLEXIBLE	FLEXIBLE KUPPLUNG	CONEXIÓN FLEXIBLE	FLEXIBEL KOPPLING	GIUNTO FLESSIBILE
FLEXIBLE HOSE	BUIGZAME PIJP	TUYAU FLEXIBLE	SCHLAUCH	MANGUERA (FLEXIBLE)	SLANG	TUBO FLESSIBILE
FLEXIBLE JOINT	ELASTISCH SCHARNIER	RACCORD FLEXIBLE	ELASTISCHES GELENK	JUNTA FLEXIBLE	KARDANKOPPLING	GIUNTO FLESSIBILE
FLEXIBLE MOUNT	FLEXIBELE BEVESTIGING	PORTE-FLEXIBLE	FLEXIBLE BEFESTIGUNG	MONTURA FLEXIBLE	FLEXIBEL FÅSTE	PREDISPOSIZIONI DI MONT. FLESSIBILI
FLEXIBLE PIPE	FLEXIBELE BUIS	TUYAU FLEXIBLE	FLEXIBLES ROHR	TUBERÍA FLEXIBLE	FLEXIBEL RÖR	TUBO FLESSIBILE
FLEXIBLE TUBE	ELASTISCHE BUIS	TUYAU FLEXIBLE	SCHLAUCH	TUBO FLEXIBLE	SLANG	TUBO FLESSIBILE
FLOAT	VLOTTER	FLOTTEUR	SCHWIMMER	FLOTADOR	FLOTTÖR	GALLEGGIANTE
FLOAT ARM	VLOTTERARM	BRAS FLOTTEUR	SCHWIMMERARM	BRAZO FLOTANTE	FLOTTÖRARM	BRACCIO GALLEGGIANTE
FLOAT VALVE	VLOTTERKLEP	SOUPAPE A FLOTTEUR	SCHWIMMERVENTIL	VÁLVULA DE FLOTADOR	FLOTTÖRVENTIL	VALVOLA A GALLEGGIANTE
FLOW INDICATOR	STROMINGSINDICATOR	INDICATEUR DE DÉBIT	DURCHFLOSSANZEIGER	INDICADOR DE FLUJO	FLÖDESINDIKATOR	INDICATORE DI FLUSSO
FLOW SWITCH	DEBIETSCHAKELAAR	INTERRUPTEUR DE DÉBIT	DURCHFLOSSSCHALTER	INTERRUPTOR DE FLUJO	FLÖDESBRYTARE	INTERRUPTORE DI FLUSSO
FLYWHEEL	VLIEGWIEL	VOLANT	SCHWUNGRAD	VOLANTE	SVÄNGHJUL	VOLANO
FLYWHEEL HOUSING	VLIEGWIELHUIS	CARTER DU VOLANT	SCHWUNGRADGEH.	CAJA DEL VOLANTE	SVÄNGHJULSHUS	SCATOLA COPRIVOLANO
FOAM	SCHUM	MOUSSE	SCHAUM	ESPUMA	SKUM	ESPANSO
FOAM HOLDER	SCHUMHOUDER	PORTE-MOUSSE	SCHAUMHALTER	SOPORTE DE ESPUMA	SKUMHÅLLARE	SUPPORTO PER ESPANSO
FOAM LAMINATED	SCHUIMRUBBER	CAOUTCHOU MOUSSE	SCHAUMSTOFF	GOMA ESPUMA	SKUMPLASTLAMINAT	LAMINATO DI ESPANSO
FOAM PLASTIC	SCHUIMRUBBER	MOUSSE PLASTIQUE	SCHAUMSTOFF	GOMA ESPUMA	SKUMPLAST	GRUPPO DI SCHIUMA
FOAM SET	SCHUIMSET	JEU DE MOUSSES	SCHAUMSATZ	JUEGO DE ESPUMAS	SKUMSATS	ESPANSO DI PLASTICA
FOGLAMP	MISTLAMP	FEU ANTIBROUILLARD	NEBELLAMPE	LÁMP. PARA NIEBLA	DIMLJUS	LUCE FENDINEBBIA
FOOT	VOET	PIED	FUSS	PIE	FOT	PIEDE
FOOTBOARD	VOETTREDE	MARCHEPIED	TRITTBRETT	ESTRIBO	FOTBRÅDE	PEDANA
FORK	VORK	FOURCHE	GABEL	HORQUILLA	GAFFEL	FORCELLA
FORK HEAD	KOP V. VORK	TETE DE FOURCHE	GABELKOPF	CABEZA DE LA HORQUILLA	GAFFELLOCK	TESTA DELLA FORCELLA
FORK HOUSING	VORKHUIS	ENVELOPPE FOURCHE	GABELGEHÄUSE	CAJA DE HORQUILLA	GAFFELHUS	ALLOGGIAMENTO DELLA FORCELLA
FOUNDATION BOLT	ANKERBOUT	BOULON D'ANCRAJE	ANKERBOLZEN	PERNO DE ANCLAJE	GRUNDBULT	BULLONE DI FONDAZIONE
FOUR WAY VALVE	VIERWEGAFSLUITER	VANNE QUATRE VOIES	VIERWEGEVENTIL	VÁLVULA DE CUATRO VÍAS	FYRVÄGSVENTIL	VALVOLA A 4 VIE
FRAME	RAAM	CHASSIS	RAHMEN	BASTIDOR	RAM	TELAIO
FREQUENCY METER	FREQUENTIEMETER	FREQUENCEMÈTRE	FREQUENZMESSER	FRECUCNÍMETRO	FREKVENSMÅTARE	FREQUENZIOMETRO
FRICTION RING	WRIJVINGSRING	BAGUE DE FRICTION	REIBRING	ANILLO DE FRICCIÓN	LAMELLBELÄGG	ANELLO DELLA FRIZIONE
FRONT	VOOR	AVANT	VORNE	FRONTAL	FRONT	FRONTE
FRONT AXLE	VOORAS	ESSIEU AVANT	VORDERACHSE	EJE FRONTAL	FRAMAXEL	ASSALE ANTERIORE
FRONT BRACKET	STEUEN VOORZIJDE	SUPPORT AVANT	VORDERE STÜTZE	ABRAZADERA FRONTAL	FRONTBYGEL	MENSOLA ANTERIORE
FRONT BUMPER	VOORBUMPER	PARE-CHOC AVANT	VORDERER STOSSFÄNGER	PARACHOQUES FRONTAL	FRÄMRE STÖTFÅNGARE	PARAURTO ANTERIORE
FRONT CORNER	HOEK A. VOORZIJDE	ANGLE AVANT	VORDERE ECKE	ESQUINA FRONTAL	FRONTHÖRN	ANGOLI ANTERIORE
FRONT DOOR	VOORDEUR	PORTE FRONTALE	VORDERTÜR	PUEERTA FRONTAL	FRAMDÖRR	PORTA ANTERIORE
FRONT PANEL	VOORPANEEL	PANNEAU FRONTAL	VORDERWAND	PANEL FRONTAL	FRONTPANEL	PANNELLO ANTERIORE
FRONT PARTITION	TUSSENSCHOT VOORZIJDE	ENTRETOISE FRONTALE	VORDERE TRENNWAND	PARTICIÓN FRONTAL	FRAMDELNING	DIVISORIO ANTERIORE
FRONT PLATE	PLAAT A. VOORZIJDE	PLAQUE FRONTALE	FRONTPLATTE	PLACA FRONTAL	FRONTPLÅT	PIASTRA ANTERIORE
FRONT ROOF	DAK VOORZIJDE	TOIT FRONTAL	VORDERES DACH	BÓVEDA FRONTAL	FRAMTAK	TEPPO ANTERIORE
FRONT WHEEL	VOORWIEL	ROUE AVANT	VORDERRAD	VOLANTE FRONTAL	FRAMHJUL	RUOTA ANTERIORE
FUEL	BRANDSTOF	COMBUSTIBLE	KRAFTSTOFF	COMBUSTIBLE	BRÄNSLE	COMBUSTIBILE
FUEL CAP LOCKABLE	AFSLUITBARE TANKDOP	BOUCHON COMB. VERROUIL.	ABSCHL. KRAFTSTOFFVERSCHL. DECKEL	TAPA BLOQUEABLE DEL COMB.	LÅSBART BRÄNSLELOCK	CAPPELLO DEL COMB. RIUCHIDIBIL
FUEL COCK	BRANDSTOFKRAAN	ROBINET DE COMBUSTIBLE	KRAFTSTOFFHAHN	LLAVE DE COMBUSTIBLE	BRÄNSLEKLAN	RUBINETTO DEL CARBURANTE
FUEL COOLER	BRANDSTOFKOELEER	REFROIDISSEUR DE COMB.	KRAFTSTOFFKÜHLER	REFRIGERADOR DE COMBUST.	BRÄNSLEKYLARE	REFRIGERANTE DEL COMBUSTIBILE
FUEL FILTER	BRANDSTOFFFILTER	FILTRE A COMBUSTIBLE	KRAFTSTOFFFILTER	FILTRO DE COMB.	BRÄNSLEFILTER	FILTRO DEL CARBURANTE
FUEL FILTER ELEMENT	BRANDSTOFFFILTERELEMENT	ELEMENT DE FILTRE DE COMB.	KRAFTSTOFFFILTEREL.	EL. FILTRO COMB.	EL. BRÄNSLEFILT.	ELEMENTO FILTRANTE CARB.
FUEL FILTER HOUSING	BRANDSTOFFFILTERBEHUIZING	BOITIER DU FILTRE DE COMB.	KRAFTSTOFFFILTERGEHÄUSE	CARCASA DE FILTRO DEL COMB.	BRÄNSLEFILTERHUS	ALLOGGIO DEL FILTRO DEL CARBURANTE
FUEL FINAL FILTER ELEM.	BRANDSTOFFEINDFILTERELEMENT	EL. DE FILTRE FINAL. COMB.	KRAFTST. E-FILT.-EL.	EL. FILTRO. FIN. COMB.	EL. FINFILT. BRÄNSLE	ELEMENTO FILT. FINALE CARB.
FUEL GAUGE	BRANDSTOFMETER	JAUGE, COMBUSTIBLE	KRAFTSTOFFANZEIGER	INDICADOR DE COMB.	BRÄNSLEMÅTARE	INDICATORE DI LIVELLO CARB.
FUEL HANDPUMP	BRANDSTOF HANDPOMP	POMPE, COMBUSTIBLE	KRAFTST. HANDPUMPE	BOMBA MANUAL DE COMB.	BRÄNSLEHANDPUMP	POMPA MANUALE DEL CARBURANTE
FUEL HOSE	BRANDSTOFSLANG	TUYAU POUR COMBUSTIBLE	KRAFTSTOFFSCHLAUCH	TUBO DE COMBUSTIBLE	BRÄNSLESLANG	TUBO FLESSIBILE DEL CARBURANTE
FUEL LEVEL SENSOR	BRANDSTOFFPELMETER	JAUGE DE NIVEAU DU COMB.	KRAFTSTOFFSTANDFÜHLER	SENSOR DEL NIVEL DE COMB.	BRÄNSLENIVÅGIVARE	SENSORE DEL LIVELLO DI COMBUSTIBILE
FUEL PRE FILTER	BRANDSTOFVOORFILTER	PREFILTRE A COMBUSTIBLE	KRAFTSTOFFVORFILTER	PREFILTRO DE COMBUSTIBLE	BRÄNSLEFÖRFILTER	PREFILTRO DEL COMB.
FUEL PRE-FILTER ELEM.	BRANDSTOFVOORFILTERELEMENT	EL. PREFILT. COMBUSTIBLE	KRAFTST.VORFILT.EL.	ELEM. PREFILTRO COMB.	EL. FÖRFILTER, BRÄNSLE	ELEMENTO DEL PREFILTRO DEL CARB.
FUEL PUMP	BRANDSTOFFPOMP	POMPE A COMBUSTIBLE	KRAFTSTOFFPUMPE	BOMBA DE COMB.	BRÄNSLEPUMP	POMPA DEL CARBURANTE
FUEL RECEIVER	BRANDSTOFFRESERVOIR	RESERVOIR DE COMBUSTIBLE	KRAFTSTOFFBEHÄLTER	RECEPTOR DEL COMBUSTIBLE	BRÄNSLEBEHÅLLARE	SERBATOIO DEL CARBURANTE
FUEL STOP SOLENOID	UTSCHAKELMAGNETBRANDSTOF	SOLENOIDE ARRET DE COMB.	KRAFTSTOFFABSPERRVENTIL	INTERRUPTOR MAGNÉTICO DEL COMB.	STOPPSOLENOID BRÄNSLE	SOLENOIDE DI ARRESTO DEL CARB.
FUEL STRAINER	BRANDSTOFZEEP	FILTRE-TAMIS A COMBUST.	KRAFTSTOFFSIEB	FILTRO DE COMBUSTIBLE	BRÄNSLERENARE	FILTRO DEL COMBUSTIBILE
FUEL SUPPLY PUMP	BRANDSTOFFPOMP	POMPE D'AMENEE DE COMB.	KRAFTSTOFFPUMPE	BOMBA DE ABAST. DE COMB.	PUMP BRÄNSLETILLFÖRSEL	POMPA DI RIFORNIMENTO PER IL CARB.
FUEL TANK	BRANDSTOFTANK	RESERVOIR, COMBUSTIBLE	KRAFTSTOFFBEHÄLTER	TANQUE DE COMB.	BRÄNSLETANK	SERBATOIO DEL CARBURANTE
FUEL TUBE	BRANDSTOFFPIJP	TUYAU POUR COMBUSTIBLE	KRAFTSTOFFLEITUNG	TUBO DEL COMBUSTIBLE	BRÄNSLERÖR	TUBO DEL CARBURANTE
FUNNEL	PIJP	TUYAU	TRICHTER	EMBUDO	UTLUFNINGSRÖR	IMBUTO
FUSE	ZEKERING	FUSIBLE	SICHERUNG	FUSIBLE	SÄKRING	FUSIBILE
FUSE BOX	ZEKERINGENKAST	BOITE A FUSIBLE	SICHERUNGSKASTEN	CAJA DE FUSIBLES	SÄKRINGSDOSA	SCATOLA DEL FUSIBILE
FUSE HOLDER	ZEKERINGHOUDER	PORTE-FUSIBLE	SICHERUNGSHALTER	PORTAFUSIBLE	SÄKRINGSHÅLLARE	PORTA FUSIBILE

G

GAS SPRING	GASDRUKVEER	VERIN PNEUMAT.	GASDRUCKFEDER	MUELLE DE GAS	GASFJÄDER	MOLLA A GAS
GASKET	PAKING	JOINT	DICHTUNG	JUNTA	PACKNING	GUARNIZIONE
GAUGE	METER	INDICATEUR	ANZEIGER	INDICADOR	MÅTARE	INDICATORE
GAUGE PANEL	METERPANEEL	PANNEAU D'INDICATEUR	FÜLLSTANDSANZEIGEN	PANEL CALIBRADOR	MÅTARPANEL	PANNELLO DELL'INDICATORE
GAUZE	GAAS	GAZE	GAZE	GASA	SILDUK	GARZA
GEAR	DRIJFWERK	ENGRENAGE	GETRIEBE	ENGRANAJE	VÅXEL	INGRANAGGIO
GEAR CASING	TANDWIELKAST	CARTER D'ENGREAGE.	GETRIEBEGEHÄUSE	CAJA DE ENGRANAJES	VÅXELHUS	SCATOLA INGRANAGGI
GEAR DRIVE	TANDWIELAANDRIJVING	COMM. PAR ENGRENAGE	ZAHNRADANTRIEB	TRANSMIS. POR ENGRANAJES	VÅXELHJULSDREV	TRASMISSIONE A INGRANAGGI
GEAR IDLER	TUSSENWIEL	PIGNON LIBRE D'ENGRENAGE	LEERLAUF	ENGRANAJE DE POLEA LOCA	VÅXELDREV	INTERMEDIO DELL'INGRANAGGIO
GEAR WHEEL	TANDWIEL	ROUE DENTEE	ZAHNRAD	RUEDA DENTADA	KUGGHJUL	RUOTA DENTATA
GEAR WHEEL HUB	TANDWIELNAAF	MOYEU DE ROUE DENTEE	ZAHNRADNABE	CUBO DE RUEDA DENT.	NAV, KUGGHJUL	MOZZO DI RUOTA DENTATA
GENERATOR	GENERATOR	GENERATEUR	GENERATOR	GENERADOR	GENERATORE	GENERATORE
GENERATOR EQUIPMENT	GENERATORINSTALLATIE	EQUIPEMENT GENERATEUR	GENERATORANLAGE	EQUIPO DEL GENERADOR	GENERATORUTRUSTNING	EQUIPAGGIAMENTO DEL GENERATORE
GLASS FIBER	GLASVEZEL	FIBRE DE VERRE	GLASFASER	LANA DE VIDRIO	GLASFIBER	FIBRA DI VETRO
GLOW LAMP	GLOEPLUG	LAMPE A INCANDESCENCE	GLIMMLAMPE	LÁMPARA INCANDESCENCIA	GLÖDLAMPA	LAMPADA A LUMINESCENZA
GRATING	ROOSTER	GRILLE	GITTER	PARRILLA	GALLER	GRIGLIA

ENGLISH	NORSK	DANSK	ΕΛΛΗΝΙΚΑ	PORTUGUÊS	SUOMI
FIXATION	FESTING	FIKSERING	ΣΤΕΡΕΩΣΗ	FIXAÇÃO	KINNITIN
FIXATION PLATE	FESTEPLATE	FASTGØRINGSPLADE	ΠΛΑΚΑ ΣΤΕΡΕΩΣΗΣ	PLACA DE FIXAÇÃO	KINNITYSLÉVY
FIXING ANGLE	FESTEVIKSEL	FASTGØRINGSVINKEL	ΓΩΝΙΑ ΣΤΕΡΕΩΣΗΣ	ANGULO DE FIXAÇÃO	KINNITYSKULMA
FIXING PLATE SET	FESTEPLATESETT	SET FASTGØRINGSPLADER	ΣΕΤ ΠΛΑΚΑΣ ΣΤΕΡΕΩΣΗΣ	CONJUNTO DA PLACA DE FIXAÇÃO	KINNITYSLÉVY SARJA
FIXING STRIP	FESTEBÅND	FASTGØRINGSBÅND	ΤΑΪΝΙΑ ΣΤΕΡΕΩΣΗΣ	FAIXA DE FIXAÇÃO	KINNITYSLIUSKA
FLANGE	FLENS	FLANGE	ΦΛΑΝΤΖΑ	FLANGE	LAIPPA
FLANGE BUSH	FLENSBØSSING	FLANGEBØSSNING	ΑΝΤΙΤΡΙΒΙΚΟΣ ΔΑΚΤΥΛΙΟΣ ΦΛΑΝΤΖΑΣ	CASQUILHO DA FLANGE	LAIPPAHOLKKI
FLAP	KLAPP	LEM	ΠΤΕΡΥΓΙΟ	ABA	SUOJUS
FLARE NUT	KRAGE	MØTRIK	ΚΑΜΗΛΩΔΟΤΗ ΠΕΡΙΚΟΧΑΙΟ	PORCA PARA TUBOS	LAIPPAUMUTTERI
FLASHER RELAY	BLINKLYSRELÉ	BLINKRELÉ	ΡΕΛΕ ΤΟΞΟΥ, ΠΕΛΕ ΦΑΛΣΕΡ	RELÉ INTERMITENTE	VILKKUVALON RELE
FLAT BAR	FLATJERN	FLADJERN	ΕΠΙΠΕΔΗ ΜΗΠΑΡΑ	BARRA PLANA	LITTEÄ LIUSKA
FLAT GASKET	FLAT PAKNING	FLAD PAKNING	ΕΠΙΠΕΔΗ ΣΤΙΜΟΥΧΑ	JUNTA PLANA	LAAKATIVISTE
FLEXIBLE	FLEKSIBEL	BØJELIG BØSSNING	ΕΥΚΑΜΗΤΟΣ	FLEXÍVEL	LETKU
FLEXIBLE BUSH	FLEKSIBEL BØSSING	FLEKSIBEL BØJELIG	ΕΥΚΑΜΗΤΟΣ ΑΝΤΙΤΡΙΒΙΚΟΣ ΔΑΚΤΥΛΙΟΣ	CASQUILHO FLEXÍVEL	JOUSTOHOLKKI
FLEXIBLE CABLE	FLEKSIBEL KABEL	BØJELIGT KABEL	ΕΥΚΑΜΗΤΟ ΚΑΛΩΔΙΟ	CABO FLEXÍVEL	TAIPUISA JOHTO
FLEXIBLE CONDUIT	FLEKSIBELT VERNERØR	BØJELIG LEDNING	ΕΥΚΑΜΗΤΟΣ ΑΓΩΓΟΣ	CANALIZAÇÃO FLEXÍVEL	TAIPUISA LITIOS
FLEXIBLE COUPLING	FLEKSIBEL KOPLING	FLEKSIBEL KOBLING	ΕΥΚΑΜΗΤΟΣ ΣΥΝΔΕΣΜΟΣ	ACOPLAMENTO FLEXÍVEL	JOUSTOKYTKIN
FLEXIBLE HOSE	BØYELIG SLANGE	BØJELIG SLANGE	ΕΥΚΑΜΗΤΟΣ ΕΛΑΣΤΙΚΟΣ ΣΩΛΗΝΑΣ	TUBO FLEXÍVEL	TAIPUISA LETKU
FLEXIBLE JOINT	BØYELIG KOPLING	BØJELIG SAMLING	ΕΥΚΑΜΗΤΟΣ ΣΥΝΔΕΣΜΟΣ	JUNTA FLEXÍVEL	JOUSTOLITIOS
FLEXIBLE MOUNT	FLEKSIBEL MONTERING	FLEKSIBEL MONTAGE	ΕΥΚΑΜΗΤΗ ΣΤΗΡΙΞΗ	INSTALAÇÃO FLEXÍVEL	JOUSTAVA KINNITYS
FLEXIBLE PIPE	FLEKSIBELT RØR	BØJELIGT RØR	ΕΥΚΑΜΗΤΟΣ ΣΩΛΗΝΑΣ	TUBO FLEXÍVEL	TAIPUISTA PUTKI
FLEXIBLE TUBE	BØYELIG RØR	BØJELIGT RØR	ΕΥΚΑΜΗΤΟΣ ΣΩΛΗΝΑΣ	TUBO FLEXÍVEL	TAIPUISA LETKU
FLOAT	FLOTTØR	FLYDER	ΠΛΩΤΗΡΑΣ	BÓIA	UIMURI
FLOAT ARM	FLOTTØRARM	FLYDERARM	ΒΡΑΧΙΟΝ ΔΣ ΠΛΩΤΗΡΑ	BRAÇO DA BÓIA	UIMURIN VARS
FLOAT VALVE	FLOTTØRVENTIL	FLYDERVENTIL	ΒΑΛΒΙΔΑ ΠΛΩΤΗΡΑ	VÁLVULA DA BÓIA	UIMURIVENTTILI
FLOW INDICATOR	STRØMNINGSINDIKATOR	FLØMINDIKATOR	ΔΕΙΚΤΗΣ ΡΟΗΣ	INDICADOR DE CAUDAL	VIRTUAUSMITTARI
FLOW SWITCH	STRØMNINGSBRYTER	STRØMNINGSAFBRYDER	ΔΙΑΚΟΠΤΗΣ ΡΟΗΣ	INTERRUPTOR DE CAUDAL	VIRTUAUSKYTKIN
FLY WHEEL	SVINGHJUL	SVINGHJUL	ΣΦΟΝΔΥΛΟΣ	VOLANTE	VAUHTIPYÖRÄ
FLY WHEEL HOUSING	SVINGHJULHUS	SVINGHJULSBESKYTTER	ΚΕΛΥΦΟΣ ΣΦΟΝΔΥΛΟΥ	CAIXA DO VOLANTE	VAUHTIPIIRÄN KOTELLO
FOAM	SKUMPLAST	SKUMPLAST	ΑΦΡΟΣ	ESPUMA	VAAHTO
FOAM HOLDER	SKUMPLASTHOLDER	SKUMPLASTHOLDER	ΥΠΟΔΟΧΕΑΣ ΑΦΡΟΥ	SUPORTE DE ESPUMA	VAAHDON PIDIN
FOAM LAMINATED	SKUMPLASTLAMINAT	SKUMPLASTLAMINAT	ΑΠΛΩΜΕΝΟΣ ΑΦΡΟΣ	ESPUMA LAMINADA	VAAHTOMUOVI
FOAM PLASTIC	SKUMPLAST	SKUMPLAST	ΠΛΑΣΤΙΚΟΣ ΑΦΡΟΣ	ESPUMA PLÁSTICA	VAAHTOMUOVI
FOAM SET	SETT MED SKUMPLASTDELER	SKUMPLASTSÆT	ΣΕΤ ΠΛΑΚΑΣ ΣΤΕΡΕΩΣΗΣ ΑΦΡΟΥ	CONJUNTO DE ESPUMA	VAAHTOSARJA
FOGLAMP	TÅKELYS	TÅGELAMPE	ΦΑΝΟΣ ΟΜΙΧΛΗΣ	FAROL DE NEVOEIRO	SUMUVALO
FOOT	FOT	FOD	ΠΟΔΙ	PÉ	JALKA
FOOTBOARD	STIGBRETT	FODBREDET	ΠΑΤΑΚΙ	ESTRIBO	ASTINLAUTA
FORK	GAFFEL	GAFFEL	ΠΙΡΟΥΝΙ	GARFO	HAARUKKA
FORK HEAD	GAFFELLENDE	GAFFELLENDE	ΚΕΦΑΛΗ ΠΙΡΟΥΝΙΟΥ	CABEÇA DE FORQUILHA	HAARUKAN PÄÄ
FORK HOUSING	GAFFELHUS	GAFFELHUS	ΚΕΛΥΦΟΣ ΠΙΡΟΥΝΙΟΥ	CAIXA DO GARFO	HAARUKAN KOTELLO
FOUNDATION BOLT	FUNDAMENTBOLT	FUNDAMENTBOLT	ΚΟΧΛΙΑΣ ΘΕΜΕΛΙΩΣΗΣ	PARAFUSO DE FIXAÇÃO	ANKKURIPULTTI
FOUR WAY VALVE	FIREVEIS VENTIL	FIRE-VEIS VENTIL	ΤΕΤΡΑΘΕΣ ΒΑΛΒΙΔΑ	VÁLVULA DE QUATRO VIAS	NELITVENTTILI
FRAME	RAMME	RAMME	ΠΛΑΣΤΙΟ	QUADRO / ESTRUTURA	RUNKO
FREQUENCY METER	FREKVENSMÅLER	FREKVENSMÅLER	ΣΥΧΝΟΜΕΤΡΟ	FREQUÊNCÍMETRO	TAJUUSMITTARI
FRICTION RING	FRIKTIONSRING	FRIKTIONSRING	ΔΑΚΤΥΛΙΟΣ ΤΡΙΒΗΣ	ANEL DE ATRITO	KITKARENGAS
FRONT	FRONT	FRONSD	ΕΜΠΡΟΣ, ΜΠΡΟΣΤΙΝΟ	DIANTEIRO	ETUPÄÄ
FRONT AXLE	FORAKSEL	FORAKSEL	ΜΠΡΟΣΤΙΝΟΣ ΑΞΟΝΑΣ	EIXO DIANTEIRO	ETUAKSELI
FRONT BRACKET	FRONTBRACKET	FRONTKONSOL	ΜΠΡΟΣΤΙΝΟ ΜΠΡΑΚΕΤΟ	SUPORTE DIANTEIRO	ETUPOULEN KANNATIN
FRONT BUMPER	STØTFANGER FORAN	STØDFANGER FOR	ΜΠΡΟΣΤΙΝΟΣ ΠΡΟΦΥΛΑΚΤΗΡΑΣ	PÁRA-CHOQUES DA FRENTE	ETUPOUSKURI
FRONT CORNER	FRONTHjørNE	FRONTHjørNE	ΜΠΡΟΣΤΙΝΗ ΓΩΝΙΑ	CANTO FRONTAL	ETUPOULEN KULMA
FRONT DOOR	FORDØR	FORDØR	ΜΠΡΟΣΤΙΝΗ ΠΟΡΤΑ	PORTA PRINCIPAL	ETUOVI
FRONT PANEL	FRONTPANEL	FRONTPANEL	ΜΠΡΟΣΤΙΝΟ ΚΑΛΥΜΜΑ	PAINEL FRONTAL	ETUPANEELI
FRONT PARTITION	FRONTVEGG	FRONTVEG	ΜΠΡΟΣΤΙΝΟ ΧΩΡΕΜΑ	DIVISÓRIA DIANTEIRA	ETUPOULEN VÄLILEVY
FRONT PLATE	FRONTPLATE	FRONTPLADE	ΜΠΡΟΣΤΙΝΗ ΠΛΑΚΑ	PLACA DA FRENTE	ETUPOULEN LEVY
FRONT ROOF	TAG FORAN	TAG FOR	ΜΠΡΟΣΤΙΝΗ ΟΡΟΦΗ	TECTO DA FRENTE	ETUPOULEN KATTO
FRONT WHEEL	FORHJUL	FORHJUL	ΜΠΡΟΣΤΙΝΟΣ ΤΡΟΧΟΣ	RODA DIANTEIRA	ETUPYÖRÄ
FUEL	DRIVSTOFF	BRÆNDSTOF	ΚΑΥΣΙΜΟ	COMBUSTÍVEL	POLITTOAINE
FUEL CAP LOCKABLE	LÅSBART DRIVSTOFFTANKLOKK	BRÆNDSTOFFLÅSBART	ΑΣΦΑΛΙΣΤΟ ΚΑΠΑΚΙ ΚΑΥΣΙΜΟΥ	TAMPADORESERV. DE COMB. COMECHO	LUKITTAVA POLITTOAINESÄILIÖN TULPPA
FUEL COCK	DRIVSTOFFKRAN	BRÆNDSTOFFHANE	ΔΙΚΑΕΛΙΑ ΚΑΥΣΙΜΟΥ, ΡΟΥΜΠΙΝ ΕΤΟ ΚΑΥΣΙΜΟΥ	TORNEIRA DE COMBUSTÍVEL	POLITTOAINEHANA
FUEL COOLER	DRIVSTOFFKJØLER	BRÆNDSTOFFKØLER	ΨΥΚΤΗΣ ΚΑΥΣΙΜΟΥ	REFRIGERADOR DE COMBUSTÍVEL	POLITTOAINEEN JÄÄHDYTIM
FUEL FILTER	DRIVSTOFFFILTER	BRÆNDSTOFFFILTER	ΦΙΛΤΡΟ ΚΑΥΣΙΜΟΥ	FILTRO DE COMBUSTÍVEL	POLITTOAINEENSUODATIN
FUEL FILTER ELEMENT	DRIVSTOFFFILTERELEMENT	BRÆNDSTOFFFILTERELEMENT	ΣΤΟΙΧΕΙΟ ΦΙΛΤΡΟΥ ΚΑΥΣΙΜΟΥ	ELEMENTO DO FILTRO DE COMB.	POLITTOAINEENSUOD. PATRUUNA
FUEL FILTER HOUSING	DRIVSTOFFFILTERHUS	BRÆNDSTOFFFILTERHUS	ΚΕΛΥΦΟΣ ΦΙΛΤΡΟΥ ΚΑΥΣΙΜΟΥ	CAIXA DO FILTRO DE COMBUSTÍVEL	POLITTOAINEENSUODATTIMEN KOTELLO
FUEL FINAL FILTER ELEM.	FINFILTER, DRIVSTOFF	BRÆNDSTOFFSLUTFILTERELEMENT	ΣΤΟΙΧΕΙΟ ΤΕΛΙΚΟΥ ΦΙΛΤΡΟΥ ΚΑΥΣΙΜΟΥ	EL. DO FILTRO FINAL DE COMB.	POLIT. HIENOSUODATTIMEN PATRUUNA
FUEL GAUGE	DRIVSTOFFMÅLER	BRÆNDSTOFFMÅLER	ΜΕΤΡΗΤΗΣ ΕΛΕΓΧΟΥ ΚΑΥΣΙΜΟΥ	INDICADOR DE NÍVEL DE COMB.	POLITTOAINEMITTARI
FUEL HANDPUMP	HÅNDPUMPE FOR DRIVSTOFF	BRÆNDSTOFFHÅNDPUMPE	ΧΕΙΡΑΝΤΛΙΑ ΚΑΥΣΙΜΟΥ	BOMBA MANUAL DE COMB.	POLITTOAINEEN KÄSIPUMPPU
FUEL HOSE	DRIVSTOFFSLANGE	BRÆNDSTOFFSLANGE	ΕΛΑΣΤΙΚΟΣ ΣΩΛΗΝΑΣ ΚΑΥΣΙΜΟΥ	MANGUEIRA DE COMBUSTÍVEL	POLITTOAINELETKU
FUEL LEVEL SENSOR	FØLER FOR DRIVSTOFFNIVÅ	BRÆNDSTOFFSTAND, FØLER	ΑΣΘΗΤΗΡΑΣ ΣΤΑΘΜΗΣ ΚΑΥΣΙΜΟΥ	SENSOR DO NÍVEL DE COMB.	POLITTOAINEEN ANTURI
FUEL PRE FILTER	FØRFILTER, DRIVSTOFF	BRÆNDSTOFFFORFILTER	ΠΡΟ-ΦΙΛΤΡΟ ΚΑΥΣΙΜΟΥ	PRÉ FILTRO DE COMBUSTÍVEL	POLITTOAINEEN ESISUODATIN
FUEL PRE-FILTER ELEM.	FØRFILTERELEMENT, DRIVSTOFF	BRÆNDSTOFFFORFILTER-ELEMENT	ΣΤΟΙΧΕΙΟ ΠΡΟ-ΦΙΛΤΡΟΥ ΚΑΥΣΙΜΟΥ	EL. DO PRÉ FILTRO DE COMB.	POLITTOAINEEN ESISUODATTIMEN PATRUUNA
FUEL PUMP	DRIVSTOFFPUMPE	BRÆNDSTOFFPUMPE	ΑΝΤΛΙΑ ΚΑΥΣΙΜΟΥ	BOMBA DE COMBUSTÍVEL	POLITTOAINEPUMPPU
FUEL RECEIVER	DRIVSTOFFTANK	BRÆNDSTOFFTANK	ΣΥΛΛΕΚΤΗΣ ΚΑΥΣΙΜΟΥ	RESERVATÓRIO DE COMBUSTÍVEL	POLITTOAINESÄILIÖ
FUEL STOP SOLENOID	DRIVSTOFFMAGNETVENTIL	BRÆNDSTOFFELEKTROMAGNET	ΗΛΕΚΤΡ. ΒΑΛΒΙΔΑ ΑΝΑΚΟΠΗΣ ΚΑΥΣΙΜΟΥ	SOLENOÍDE DE PARAGEM DO COMBUSTÍVEL	POLITTOAINEEN SUUKUMAGNEETTI
FUEL STRAINER	DRIVSTOFFSIL	BRÆNDSTOFFFILTER	ΣΟΥΡΤΗΡΙ ΚΑΥΣΙΜΟΥ	ESTRANGULADOR DE COMBUSTÍVEL	POLITTOAINESIVILÄ
FUEL SUPPLY PUMP	DRIVSTOFFPUMPE	BRÆNDSTOFFPUMPE	ΑΝΤΛΙΑ ΠΑΡΟΧΗΣ ΚΑΥΣΙΜΟΥ	BOMBA DE ABASTECIMENTO DE COMB.	POLITTOAINEPUMPPU
FUEL TANK	DRIVSTOFFTANK	BRÆNDSTOFFTANK	ΔΕΞΑΜΕΝΗ ΚΑΥΣΙΜΟΥ	TANQUE DE COMBUSTÍVEL	POLITTOAINESÄILIÖ
FUEL TUBE	DRIVSTOFFRØR	BRÆNDSTOFFRØR	ΣΩΛΗΝΑΣ ΚΑΥΣΙΜΟΥ	TUBO DE COMBUSTÍVEL	POLITTOAINEPUTKI
FUNNEL	SKORSTEIN	TRAGT	ΧΩΝΙ, ΧΟΑΝΗ	FUNIL	SUPPILLO
FUSE	SIKRING	SIKRING	ΑΣΦΑΛΕΙΑ	FUSÍVEL	VAROKE
FUSE BOX	SIKRINGSBOKS	SIKRINGSDÅSE	ΑΣΦΑΛΕΙΟΘΗΚΗ	CAIXA DE FUSÍVEIS	VAROKEKOTELLO
FUSE HOLDER	SIKRINGSHOLDER	SIKRINGSHOLDER	ΥΠΟΔΟΧΗ ΑΣΦΑΛΕΙΑΣ	SUPORTE DO FUSÍVEL	VAROKKEENPIDIN
G					
GAS SPRING	GASSFJØR	GASFJEDER	ΕΛΑΤΗΡΙΟ ΑΕΡΙΟΥ	MOLA PNEUMÁTICA	KAASUJOUSI
GASKET	PAKNING	PAKNING	ΣΤΙΜΟΥΧΑ	JUNTA	TIVISTE
GAUGE	MÅLER	MÅLER	ΜΕΤΡΗΤΗΣ ΕΛΕΓΧΟΥ	INSTRUMENTO / MANÓMETRO	MITTARI
GAUGE PANEL	MÅLERPANEL	MÅLERPANEL	ΠΙΝΑΚΑΣ ΟΡΓΑΝΩΝ ΕΛΕΓΧΟΥ	PAINEL DE INSTRUMENTOS	MITTARITALU
GAUZE	FILTERDUK	GAZE	ΓΑΖΑ, ΤΣΙΤΑ	TELA METÁLICA	HARSOKANGAS
GEAR	GIR	GEAR	ΟΔΟΝΤΩΤΟΣ ΤΡΟΧΟΣ, ΓΡΑΝΑΖΙ	ENGRANAGEM	HAMMASVAIHTEISTO
GEAR CASING	GIRHUS	GEARKASSE	ΚΕΛΥΦΟΣ ΟΔΟΝΤΩΤΟΥ ΤΡΟΧΟΥ	CAIXA DE ENGRANAGENS	HAMMASPYÖRÄSTÖN KOTELLO
GEAR DRIVE	GIRDREV	GEARSTANG	ΟΔΟΝΤΟΚΙΝΗΣΗ, ΚΙΝΗΣΗ ΜΕ ΓΡΑΝΑΖΙΑ	ACCIONADOR DE ENGRANAGENS	HAMMASPYÖRÄKÄYTTÖ
GEAR IDLER	MELLOMDREV	MELLEMEDREV	ΕΛΕΥΘΕΡΟ ΓΡΑΝΑΖΙ	ENGRANAGEM INTERMEDIÁRIA	VÄLIPYÖRÄ
GEAR WHEEL	TANDHJUL	TANDHJUL	ΟΔΟΝΤΩΤΟΣ ΤΡΟΧΟΣ, ΓΡΑΝΑΖΙ	RODA DENTADA	KÄYTTÖHAMMASPYÖRÄ
GEAR WHEEL HUB	NAV, TANDHJUL	TANDHJULSNÄV	ΠΛΗΜΝΗ ΟΔΟΝΤΩΤΟΥ ΤΡΟΧΟΥ	CUBO DE ENGRANAGEM	KÄYTTÖHAMMASPYÖRÄN NAPA
GENERATOR	GENERATOR	GENERATOR	ΓΕΝΗΤΡΙΑ	GERADOR	LATAUSGENERAATTORI
GENERATOR EQUIPMENT	GENERATORUSTYR	GENERATORUDSTYR	ΕΞΟΠΛΙΣΜΟΣ ΓΕΝΗΤΡΙΑΣ	EQUIPAMENTO DO GERADOR	GENERAATTORIN VARUSTUS
GLASS FIBER	GLASFIBER	GLASFIBER	ΥΑΛΟΝΗΜΑΤΑ, ΦΩΛΙΜΕΡ ΠΛΑΣΤ	FIBRA DE VIDRO	LASIKUITU
GLOW LAMP	GLØDELAMPE	GLØDELAMPE	ΛΥΧΝΙΑ ΠΥΡΑΚΤΩΣΗΣ	LÂMPADA INCANDESCENTE	HEHKULAMPPI

ENGLISH	NEDERLANDS	FRANCAIS	DEUTSCH	ESPAÑOL	SVENSKA	ITALIANO
GREASE NIPPLE	SMEERNIPPEL	GRAISSEUR	SCHMIERNIPPEL	BOQUILLA DE ENGRASADO	SMÖRNIPPEL	INGRASSATORE
GRILL	ROOSTER	GRILL	GRILL	PARRILLA	GALLER	GRIGLIA
GROMMET	KOUS	VIROLE	GUMMIRING	OJAL	GENOMFÖRING	ANELLO
GROUND CABLE	AARDKABEL	CABLE SOUTERRAIN	ERDUNGSKABEL	CABLE DE TIERRA	JORDLEDNINGSKABEL	CONDUTTORE DI TERRA
GRUB SCREW	DRAADEINDE	VIS	GEWINDESTIFT	PASADOR PRISIONERO	SKRUVSTIFT	VITE DI RIFERIMENTO
GUARD	AFSCHERMING	PROTECTION	SCHUTZ	PROTECCIÓN	SKYDD	PROTEZIONE
GUIDGEON PIN	ZUIGERPEN	AXE DE PISTON	KOLBENBOLZEN	BULÓN DEL PISTÓN	KOLVAPP	SPINOTTO
GUIDE	GELEIDING	GUIDE	FÜHRUNG	GUÍA	STYRNING	GUIDA
GUIDE PLATE	GELEIDINGSPLAAT	PLAQUE DE GUIDAGE	FÜHRUNGSPLATTE	PLACA GUÍA	STYRPLÅT	PIASTRA DI GUIDA
GUIDE RING	GELEIDINGSRING	ANNEAU DE GUIDAGE	FÜHRUNGSRING	ANILLO DE GUÍA	STYRRING	ANELLO DI GUIDA
GUIDE SCREW	LEISCHROEF	VIS-MÈRE	LEITSPINDEL	TORNILLO DE GUÍA	STYRSKRUV	VITE DELLA GUIDA
GUIDE VALVE	GELEIDINGSKLEP	SOUPAPE DE GUIDAGE	FÜHRUNGSVENTIL	VÁLVULA DE LA GUÍA	STYRVENTIL	VALVOLA DI GUIDA
GUTTER	GOOT	GOUTTIÈRE	RINNE	CANAL	AVLOPPSRÄNNA	CANALE

H

HAND GRIP	HANDGREEP	POIGNEE	HANDGRIFF	EMPUNADURA	HANDTAG	IMPUGNATURA
HAND PUMP	HANDPOMP	POMPE A MAIN	HANDPUMPE	BOMBA MANUAL	HANDPUMP	POMPA A MANO
HAND WHEEL	HANDWIEL	ROUE A MAIN	HANDRAD	VOLANTE DE MANO	RATT	VOLANTINO
HANDBRAKE LEVER	HEFBOOM V. HANDREM	LEVIER FREIN A MAIN	HANDBREMSHEBEL	PALANCA DEL FRENO DE MANO	HANDBROMS	LEVA DEL FRENO A MANO
HANDLE	HANDVAT	POIGNEE, LEVIER	HEBEL	MANGO	HANDTAG	MANICO
HEAD	KOPSTUK	TETE DE RACCORDÉMENT	KOPF	CABEZA	LOCK	TESTA
HEAD CAP SCREW	ZESKANTSCHROEF	VIS A CHAPE	KOPFSCHRAUBE	TORNILLO DE CUBIERTA DE LA CABEZA	HUVUDSKRUV	BULLONE SENZA DADO DELLA TESTA
HEAD SHIELD	AFSCHERMING KOPSTUK	PROTECTION DE TETE	KOPFABDECKUNG	BLINDAJE DE CABEZA	HUVUDSKYDD	RIPARO DELLA TESTA
HEAT BLANKET	WARMTEWERENDE DEKEN	COUVERTURE THERMIQUE	THERMISCHE DECKE	RECUBRIMIENTO DE CALOR	VÄRMEFILT	COPERTA DI RISCALDAMENTO
HEAT EXCHANGER	WARMTEWISSELAAR	ECHANGEUR DE CHALEUR	WÄRMEAUSTAUSCHER	INTERCAMBIADOR DE CALOR	VÄRMEVÄXLARE	SCAMBIATORE DI CALORE
HEAT INSULATION	WARMTE-ISOLATIE	ISOLATION THERMIQUE	WÄRMESCHUTZ	AISLAMIENTO DEL CALOR	VÄRMEISOLERING	ISOLAMENTO TERMICO
HEAT PROTECTION	WARMTE-ISOLATIE	PROTECTION THERMIQUE	THERMOSCHUTZ	PROTECCIÓN DEL CALOR	VÄRMESKYDD	TERMOPROTEZIONE
HEAT RESISTANCE	WARMTEWEERSTAND	RESISTANCE THERMIQUE	HEIZWIDERSTAND	RESISTENCIA AL CALOR	VÄRMEBESTÄNDIGHET	RESISTENZA AL CALORE
HEAT RESISTOR	WEERSTAND	RESISTANCE	WIDERSTAND	RESISTENCIA DE CALDEO	VÄRMEMOTSTÅND	RESISTENZA DI RISCALDAMENTO
HEAT SHIELD	WARMTEWEREND SCHILD	PROTECTION THERMIQUE	HITZSCHUTZABDECKUNG	BLINDAJE DEL CALOR	VÄRMESKÖLD	SCUDO TERMICO
HEATER	VERWARMER	RECHAUFFEUR	HEIZAPPARAT	CALENTADOR	VÄRMARE	RISCALDATORE
HEATER PLUG	VERWARMINGSPLUG	FICHE DE RECHAUFFEUR	GLÜHKERZE	ENCHUFE DEL CALOR	GLÖDSTIFT	SPINA DEL RISCALDATORE
HEATING ELEMENT	VERWARMINGSELEMENT	ELEMENT DE CHAUFFAGE	HEIZELEMENT	ELEMENTO DE CALDEO	VÄRMEELEMENT	ELEMENTO RISCALDANTE
HEAVY DUTY FILTERS	FILTER VOOR ZWAAR WERK	FILTRES PERFORMANTS	HOCHLEISTUNGSFILTER	FILTR. TRABAJO PESADO	HÖGEFFEKTFILTER	FILTRI PER LAVORO PESANTE
HELICAL SPRING	SPIRAALVEER	RESSORT HELICOIDAL	SCHRAUBENFEDER	RESORTE HELICOIDAL	SPIRALFÄDER	MOLLA ELICOIDALE
HEXAGON BOLT	ZESKANTBOUT	BOUT. A TETE HEXAGONALE	SECHSKANTSCHRAUBE	PERNO HEXAGONAL	SEKKANTSBULT	BULLONE ESAGONALE
HEXAGON HEAD SCREW	ZESKANTSCHROEF	VIS A TETE HEXAGONALE	SECHSKANTSCHRAUBE	TORNILLO DE CABEZA HEXAGONAL	SEKKANTSSKRUV	VITE A TESTA ESAGONALE
HEXAGON NIPPLE	ZESKANTNIPPEL	DOUILLE HEXAGONALE	ÜBERGANGSHNSCHRAUBSTUTZEN	BOQUILLA HEXAGONAL	SEKKANTIG NIPPEL	NIPPO ESAGONALE
HEXAGON PLUG	ZESKANTPLUG	FICHE HEXAGONALE	VERSCHLUSSSCHRAUBE	ENCHUFE HEXAGONAL	SEKKANTSPLOGG	SPINA ESAGONALE
HEXAGON SCREW	ZESKANTSCHROEF	VIS HEXAGONALE	SECHSKANTSCHRAUBE	TORNILLO HEXAGONAL	SEKKANTSSKRUV	VITE ESAGONALE
HEXAGON WRENCH	ZESKANTSLEUTEL	CLEF HEXAGONALE	SECHSK.-SCHLÜSSEL	LLAVE HEXAGONAL	SEKKANTNYCKEL	CHIAVE FISSA ESAGONALE
HINGE	SCHARNIER	CHARNIÈRE	SCHARNIER	BISAGRA	GÅNGJÄRN	CERNIERA
HOLDER	HOUDER	RECEPTACLE	HALTER	SOPORTE	HÅLLARE	SUPPORTO
HOOD	BESCHERMKAP	CHAPEAU	HAUBE	CAPÓ	KÅPA	CAPPUCCIO
HOOK	HAAK	CROCHET	HAKEN	GANCHO	HAKE	GANCIO
HORN	SEINHOORN	AVERTISSEUR	SIGNALHUPE	BOCINA	HORN	AVVISATORE ACUSTICO
HOSE	SLANG	FLEXIBLE	SCHLAUCH	TUBO	SLANG	SLANG FLESSIBILE
HOSE ASSEMBLY	SLANGENSTEL	TUYAUTERIE	SCHLAUCHARMATUR	SIST. DE MANGUERA	SLANGSATS	GRUPPO DEI TUBI FLESSIBILI
HOSE CLAMP	SLANGKLEM	COLLIER DE TUYAU	SCHLAUCHSCHELLE	ABRAZADERA DE MANGUERA	SLANGKLÄMMA	FASCETTA STRINGITUBO
HOSE CLIP	SLANGKLEM	COLLIER DE TUYAU	SCHLAUCHKLEMME	GRAPA DE MANGUERA	SLANGKLÄMMA	SUPPORTO A GRAFFA PER TUBO FLESS.
HOSE CONNECTION	SLANGAANSLUITING	RACCORD DE TUYAU	SCHLAUCHVERB.	CONEXIÓN DE MANGUERA	SLANGANSLUTNING	COLLEGAMENTO PER TUBO FLESS.
HOSE COUPLING	SLANGKOPPELING	RACCORD DE TUYAU	SCHLAUCHKUPPLUNG	ACOPLEAM. DE MANGUERA	SLANGKOPPLING	ACCOPIAMENTO
HOSE INSERT	INZETSTUK SLAG	RACCORD DE TUYAU	SCHLAUCHENSATZSTÜCK	INSERCIÓN DE TUBO	SLANGINGÅNG	INSERTO PER TUBO FLESSIBILE
HOSE NIPPLE	SLANGNIPPEL	DOUILLE DE TUYAU	SCHLAUCHNIPPEL	NIPLE DE MANGUERA	SLANGNIPPEL	NIPPO PER TUBO FLESS.
HOSE REEL	SLANGHASPEL	DEVIDOIR	SCHLAUCHHASPEL	CARRETE DE TUBO	HASPEL	BOBBINA PER TUBO FLESSIBILE
HOSE SUPPORT	STEUN V. SLAG	SUPPORT DE TUYAU	SCHLAUCHHALTER	SOPORTE DE TUBO	SLANGSTÖD	SUPPORTO PER TUBO FLESSIBILE
HOURLY METER	URENTELLER	HOROMETRE	STUNDENZÄHLER	CUENTAHORAS	TIMRÄKNEVERK	CONTAORE
HOUSE MARK	LOGO	PLAQUE, MAISON	FIRMENSCHILD	MARCA DE LA CASA	HUSMÄRKE	MARCHIO DELLA DITTA
HOUSING	HUIS	CORPS, BOITIER	GEHÄUSE	CAJA	HUS	ALLOGGIAMENTO
HUB	NAAF	MOYEU	NABE	CUBO	NAV	MOZZO
HUMP HOSE	HARMONIKA SLAG	TUYAU	HUMPSCHLAUCH	TUBO CURVO	SLANG	TUBO FLESSIBILE PER SELLA
HUMP REDUCER	HARMONIKA SLAG	REDUCTEUR DE TUYAU	HUMPREDUZIERSTÜCK	REDUCTOR CURVO	SLANGREDUCERINGSSTYCKE	RIDUTTORE PER SELLA

I

IDLER GEAR	VRIJLOOPWIEL	ROUE DENTÉE LIBRE	FREILAUFRAD	PIÑÓN LOCO	MELLANDREV	INGRANAGGIO INTERMEDIO
IDLER PULLEY	VRIJLOOPRIEMSCHIJF	POULIE LIBRE	LEERLAUFRIEMENSCHIEBE	POLEA LOCA	MELLANREMSKIVA	PULEGGIA INTERMEDIA
ILS MODULE	ILS MODUUL	MODULE ILS	ILS-MODUL	MÓDULO DE SISTEMA ILS	ILS-MODUL	MODULO ILS
IMPELLER	IMPPELLER	ROTOR	LAUFRAD	PROPULSOR	LÖPHJUL	GIRANTE
IMPREGNATED PAPER	GEIMPREGNEERD PAPIER	PAPIER IMPREGNE	IMPRÄGNIERTES PAPIER	PAPEL IMPREGNADO	IMPREGNERAT PAPPER	CARTA IMBEVUTA
INDICATION LAMP	VERKLIKKERLAMP	INDICATEUR	KONTROLLAMPE	LÁMPARA DE INDICACIÓN	INDIKATORLAMP	SPIA DI INDICAZIONE
INDICATOR	VERKLIKKER	INDICATEUR	ANZEIGER	INDICADOR	INDICATOR	INDICATORE
INFORMATION LABEL	INFORMATIETABEL	ETIQUETTE D'INFORMATIONS	INFORMATIONSAUFKLEBER	ETIQUETA DE INFORMACIÓN	INFORMATIONSETIKETT	TARGHETTA INFORMATIVA
INJECTOR	INJECTOR	INJECTEUR	INIEKTOR	INYEKTOR	INIEKTOR	INIEKTORE
INJECTOR NOZZLE	INJECTORSPIJTSTUK	GICLÉUR D'INJECTEUR	EINSPIRITZDÜSE	TOBERA DE INYECCIÓN	BLÅSTERMUNSTYCKE	UGELLO DELL'INIEKTORE
INLET	INLAAT	ADMISSION	EINLASS	ENTRADA	INLOPP	ASPIRAZIONE, ENTRATA
INLET ADAPTER	INLAATSTUK	ADAPTEUR D'ADMISSION	EINLASSPASSSTÜCK	ADAPTADOR DE ENTRADA	INSUGNINGSADAPTER	ADATTATORE DI ASPIRAZIONE
INLET BAFFLE	INLAATKEERPLAAT	DEFLECTEUR D'ENTREE	EINLASSBLENDENPLATTE	DEFLECTOR DE ENTRADA	INLOPPSKÄRMPLÅT	DEFLETTORE DI ENTRATA
INLET CASING	INLAATBEHUUZING	BOITIER D'ENTREE	EINLASSGEHÄUSE	CUBIERTA DE ENTRADA	INLOPPSHÖLJE	SCATOLA DI ASPIRAZIONE
INLET FLANGE	INLAATFLENS	BRIDE D'ENTREE	EINLASSFLANSCH	BRIDA DE ENTRADA	INLOPPSFLÄNS	FLANGIA DI ENTRATA
INLET MANIFOLD	INLAATKOLLEKTOR	COLLECTEUR D'ENTREE	EINLASSAMMELROHR	COLECTOR DE ENTRADA	INLOPPSGRENÖR	COLLETTORE DI ASPIRAZIONE
INLET PANEL	INLAATPANEEL	PANNEAU D'ENTREE	EINLASSPLATTE	PANEL DE ENTRADA	INLOPPSPANEL	PANNELLO DI ENTRATA
INLET PIPE	INLAATPIJP	TUYAU D'ENTREE	EINLASSROHR	TUBERÍA DE ENTRADA	INLOPPSRÖR	TUBO DI ASPIRAZIONE
INLET SILENCER	INLAATGELUIDDEMPER	SILENCIEUX D'ENTREE	EINLASSGERÄUSCHD.	SILENC., ENTRADA	INLOPPSJUDD.	SILENZIATORE DI ASPIRAZIONE
INLET UNION	INLAATVERBINDING	RACCORD D'ENTREE	EINLASSANSCHLUSS	UNIÓN DE ENTRADA	INLOPPSRÖRKOPPLING	RACCORDO DI ENTRATA
INNER PIPE	BINNENPIJP	TUYAU INTERIEUR	INNENROHR	TUBERÍA INTERIOR	INNERRÖR	TUBO INTERNO
INNER PLATE	BINNENPLAAT	PLAQUE INTERIEURE	INNENPLATTE	PLACA INTERIOR	INNERPLÅT	PIASTRA INTERNA
INNER ROOF	BINNENDAK	TOIT INTERIEUR	INNENDACH	TECHO INTERIOR	INNERTAK	TETTO INTERNO
INNER SHELL	TUSSENSCHOT	PAROI INTERIEURE	INNENSCHALE	TABIQUE INTERNO	MELLANPLÅT	GUSCIO INTERNO
INNER TUBE	BINNENBAND	CHAMBRE A AIR	LUFTSCHLAUCH	CÁMARA DE AIRE	INNERSLANG	TUBO INTERNO
INSERT	INVÖEGING	INSERTION	EINSATZ	INSERCIÓN	INSATS	INSERTO
INSERT SLEEVE	INSTEKTHULS	RAINURE D'INSERTION	EINSCHEIBBÜHSE	MANGUITO DE INSERCIÓN	INSATSHYLSA	MANICOTTO PER INSERTO
INSTRUCTION BOOK	INSTRUCTIEBOEK	MANUEL D'INSTRUCTIONS	BEDIENUNGSANLEITUNG	MANUAL DE INSTRUCCIONES	INSTRUKTIONSBOK	ISTRUZIONE DI ISTRUZIONI
INSTRUCTION LABEL	INSTRUCTIEPLAATJE	LABEL D'INSTRUCTIONS	ANWEISUNGSSCHILD	ETIQUETA DE INSTRUCCIONES	INSTRUKTIONSSKYLT	ETICHETTA DI ISTRUZIONI
INSTRUCTION PLATE	INSTRUCTIEPLAAT	PLAQUE D'INSTRUCTIONS	INSTRUKTIONSSCHILD	PLACA DE INSTRUCCIONES	INSTRUKTIONSSKYLT	TARGHETTA DI ISTRUZIONI
INSTRUMENT BOX	SCHAKELKAST	BOITE A INSTRUMENTS	INSTRUMENTENKASTEN	CAJA DE INSTRUMENTOS	INSTRUMENTSKÅP	SCATOLA DEGLI STRUMENTI
INSTRUMENT DOOR	DEUR V. SCHAKELKAST	PORTE A INSTRUMENTS	INSTRUMENTENTÜR	PUERTA DE INSTRUMENTOS	INSTRUMENTDÖRR	PORTA DEGLI STRUMENTI
INSTRUMENT PANEL	INSTRUMENTENBORD	TABLEAU DE BORD	INSTRUMENTENTAFEL	PANEL DE INSTRUMENTOS	INSTRUMENTPANEL	PANNELLO DEGLI STRUMENTI
INSULATING HOSE	ISOLATIESLANG	TUYAU D'ISOLATION	ISOLIERSCHLAUCH	TUBO DE AISLAMIENTO	ISOLERINGSSLANG	TUBO FLESSIBILE ISOLANTE
INSULATING PLATE	ISOLEERPLAAT	PLAQUE D'ISOLATION	ISOLIERPLATTE	PLACA AISLANTE	ISOLATIONSPÅT	PIASTRA ISOLANTE

ENGLISH	NORSK	DANSK	ΕΛΛΗΝΙΚΑ	PORTUGUÊS	SUOMI
GRATING	GITTER	RIST	ΚΙΤΚΑΛΙΩΜΑ	GRADEAMENTO	SÄLEIKKÖ
GREASE NIPPLE	SMØRENIPPEL	SMØRENIPPEL	ΓΡΑΣΑ ΑΟΡΟΣ	BOCAL DE LUBRIFICAÇÃO	RASVANIPPA
GRILL	GRILL	GRILL	ΣΧΑΡΑ, ΠΛΑΤΕΜΑ	GRADEADO	SÄLEIKKÖ
GROMMET	GIENNOMFØRING	GENNEMFØRINGSRING	ΣΤΕΦΑΝΗ	ANEL ISOLADOR	LÄPVIENITTYLPPA
GROUND CABLE	JORDINGSKABEL	JORDINGSKABEL	ΚΑΛΩΔΙΟ ΓΕΩΣΗΣ	CABO DE LIGAÇÃO À MASSA	MAADOITUSJOHTO
GRUB SCREW	JUSTERINGSKRUE	SÆTSKRUE	ΚΟΧΛΙΑΣ ΣΕΦΑΛΕΙΣΗΣ	PARAFUSO SEM CABEÇA	VAARNARUUVI
GUARD	VERN	SKÆRM	ΠΡΟΦΥΛΑΚΤΗΡΑΣ	PROTECÇÃO	SUJUS
GUDGEON PIN	STEMPELTAPP	STEMPELBOLT	ΠΕΡΙΟΣ ΕΜΒΟΛΟΥ	PINO DE PISTÃO	MÄNNÄNTAPPI
GUIDE	FØRING	STYR	ΟΔΗΓΟΣ	GUIA	OHJAIN
GUIDE PLATE	STYREPLATE	STYREPLADE	ΕΛΑΣΜΑ ΟΔΗΓΟΥ	PLACA DE GUIA	OHJAINLEVY
GUIDE RING	FØRINGSRING	STYRERING	ΟΔΗΓΟΣ ΔΑΚΤΥΛΙΟΥ	ANEL GUIA	OHJAINRENGAS
GUIDE SCREW	FØRINGSSKRUE	STYRESKRUE	ΟΔΗΓΟΣ ΚΟΧΛΙΑΣ	PARAFUSO GUIA	JOHTORUUVI
GUIDE VALVE	STYREVENTIL	STYREVENTIL	ΟΔΗΓΟΣ ΒΑΒΒΙΑΣ	VÁLVULA DE GUIA	OHJAINVENTTILI
GUTTER	AVLØPSRENNE	AVLØBSRENDE	ΥΔΡΟΡΡΟΗ	CALHA DE ESCOAMENTO	KOURU

H

HAND GRIP	HÅNDTAK	HÅNDTAG	ΧΕΙΡΟΑΒΗ	PUNHO	KÄDENSIA
HAND PUMP	HÅNDPUMPE	HÄNDPUMPE	ΧΕΙΡΑΝΤΛΙΑ	BOMBA MANUAL	KÄSIPUMPPU
HAND WHEEL	RATT	RAT	ΧΕΙΡΟΤΡΟΧΟΣ, ΒΟΛΑΝ	RODA MANUAL /VOLANTE	KÄSIPYÖRÄ
HANDBRAKE LEVER	HÄNDBREMS	HÄNDBREMSEGREB	ΜΟΧΛΟΣ ΧΕΙΡΟΦΡΕΝΟΥ	ALAVANCA DO TRAVÃO DE MÃO	KÄSIJARRUVIPI
HANDLE	HÄNDTAG	HÄNDTAG	ΑΒΗ	MANÍPULO	KÄDENSIA
HEAD	TOPP	LÅG	ΚΕΦΑΛΗ	CABEÇA	KANSI
HEAD CAP SCREW	HODESKRUE	CYLINDERSKRUE	ΣΚΕΠΑΣΤΗ ΒΙΑΑ	CABEÇA DO PARAFUSO DE TAMPA	KUUSIORUUVI
HEAD SHIELD	HODESKJERM	HOVEDSKÆRM	ΚΑΛΥΜΜΑ	BLINDAGEM PRINCIPAL	KANNEN SUJUS
HEAT BLANKET	VARMETEPP	VARMETEPP	ΘΕΡΜΙΚΟ ΠΕΡΙΒΛΗΜΑ	COBERTOR TÉRMICO	LÄMMÖNSUOJAVAIPPA
HEAT EXCHANGER	VARMEVEKSLER	VARMEVEKSLER	ΕΝΑΛΛΑΚΤΗΣ ΘΕΡΜΟΤΗΤΑΣ	PERMUTADOR DE CALOR	LÄMMÖNVAHDIN
HEAT INSULATION	VARMEISOLASJON	VARMEISOLERING	ΘΕΡΜΟΜΟΝΩΣΗ	ISOLAMENTO TÉRMICO	LÄMPÖERISTE
HEAT PROTECTION	VARMEBESKYTTELSE	VARMEBESKYTTELSE	ΘΕΡΜΙΚΗ ΠΡΟΣΤΑΣΙΑ	PROTECÇÃO TÉRMICA	LÄMPÖERISTE
HEAT RESISTANCE	VARMEBESTANDIGHET	VARMEBESTANDIGHED	ΘΕΡΜΙΚΗ ΑΝΤΙΤΑΣΗ	RESISTÊNCIA TÉRMICA	LÄMMITYSVASTUS
HEAT RESISTOR	VARMEMOTSTAND	VARMEMODSTAND	ΘΕΡΜΙΚΗ ΑΝΤΙΤΑΣΗ	RESISTÊNCIA DE AQUECIMENTO	LÄMMITYSVASTUS
HEAT SHIELD	VARMESKJOLD	VARMESKJOLD	ΘΕΡΜΙΚΗ ΑΣΠΙΔΑ	BLINDAGEM TÉRMICA	LÄMPÖKILPI
HEATER	VARMER	VARMELEGEME	ΘΕΡΜΑΝΤΗΡΑΣ	AQUECEDOR	LÄMMITIN
HEATER PLUG	VARMERPLUGG	VARMERSTIK	ΣΤΟΙΧΕΙΟ ΠΡΟΘΕΡΜΑΝΤΗΡΑ	TOMADA DO AQUECEDOR	LÄMMITYSTULPPA
HEATING ELEMENT	VARMEELEMENT	VARMEELEMENT	ΘΕΡΜΑΝΤΙΚΟ ΣΤΟΙΧΕΙΟ	ELEMENTO DE AQUECIMENTO	LÄMMITYSVASTUS
HEAVY DUTY FILTERS	HØVEFFEKTFILTRE	HØJEFFEKTFILTER	ΦΙΛΤΡΑ ΒΑΡΕΩΣ ΤΥΠΟΥ	FILTROS DE TRABALHO PESADO	SUURTEHOJUODATIN
HELICAL SPRING	SPIRALFJÆR	SPIRALFJEDER	ΕΛΙΚΟΕΙΔΗΣ ΕΑΥΤΗΡΙΟ	MOLA HELICOIDAL	KIERREJOUSI
HEXAGON BOLT	SEKSKANTSKRUE	SEKSKANTBOLT/-SKRUE	ΕΞΑΓΩΝΙΚΟΣ ΚΟΧΛΙΑΣ	PARAFUSO DE CABEÇA SEXTAVADA	KUUSIORUUVI
HEXAGON HEAD SCREW	SEKSKANTSKRUE	SEKSKANTSKRUE	ΕΞΑΓΩΝΙΚΟΣ ΚΟΧΛΙΑΣ	PARAFUSO DE CABEÇA SEXTAVADA	KUUSIORUUVI
HEXAGON NIPPLE	SEKSKANTNIPPEL	SEKSKANTNIPPEL	ΕΞΑΓΩΝΙΚΟΣ ΜΑΣΤΟΣ	BOCAL SEXTAVADO	KUUSIONIPPA
HEXAGON PLUG	SEKSKANTPLUGG	SEKSKANTSTIK	ΕΞΑΓΩΝΙΚΟ ΠΩΜΑ	FICHA SEXTAVADA	KUUSIOTULPPA
HEXAGON SCREW	SEKSKANTSKRUE	SEKSKANTSKRUE	ΕΞΑΓΩΝΙΚΟΣ ΚΟΧΛΙΑΣ	PARAFUSO SEXTAVADO	KUUSIORUUVI
HEXAGON WRENCH	SEKSKANTNØKKEL	SEKSKANTNØGLEUNBRÄKNØGEL	ΕΞΑΓΩΝΙΚΟ ΚΑΕΙΜΙ	CHAVE SEXTAVADA	KUUSIOAVAIN
HINGE	HENGSEL	HÆNGSEL	ΜΕΝΤΕΣΣ	CHARNEIRA	SARANA
HOLDER	HOLDER	HOLDER	ΘΗΚΗ ΥΠΟΛΟΧΗ	SUPORTE	PIDIN
HOOD	HETTE	HÄTTE	ΚΑΛΥΜΜΑ	CAPOTA DO MOTOR	SUOJAKANSI
HOOK	HÅKE	KROG	ΑΓΚΕΤΡΟ	GANCHO	KOUKKU
HORN	HORN	HORN	ΚΟΡΝΑ	BUZINA	ÄÄNITORVI
HOSE	SLANGE	SLANGE	ΕΛΑΣΤΙΚΟΣ ΣΩΛΗΝΑΣ	MANGUEIRA	LETKU
HOSE ASSEMBLY	SLANGESÆT	SLANGESÆT	ΣΥΣΤΗΜΑ ΕΛΑΣΤΙΚΟΥ ΣΩΛΗΝΑ	CONJUNTO DA MANGUEIRA	LETKUSARIA
HOSE CLAMP	SLANGEKLEMM	SPÆNDESTYKKE TIL SLANGE	ΣΦΙΚΤΗΡΑΣ ΕΛΑΣΤΙΚΟΥ ΣΩΛΗΝΑ	BRAÇADEIRA DA MANGUEIRA	LETKUPURISTIN
HOSE CLIP	SLANGEKLIPS	KLEMM TIL SLANGE	ΣΤΗΡΙΓΜΑ ΕΛΑΣΤΙΚΟΥ ΣΩΛΗΝΑ	RETENTOR DA MANGUEIRA	LETKUPURISTIN
HOSE CONNECTION	SLANGETILKOPLING	SLANGETILSLUTNING	ΣΥΝΔΕΣΗ ΕΛΑΣΤΙΚΟΥ ΣΩΛΗΝΑ	UNIÃO DE MANGUEIRAS	LETKULITIN
HOSE COUPLING	SLANGEKOPPLING	SLANGESAMLING	ΣΥΝΔΕΣΜΟΣ ΕΛΑΣΤΙΚΟΥ ΣΩΛΗΝΑ	ACOPAMENTO DE MANGUEIRA	LETKULITIN
HOSE INSERT	SLANGEINNSATS	SLANGEINDSATS	ΠΑΡΕΜΒΑΣΜΑ ΕΛΑΣΤΙΚΟΥ ΣΩΛΗΝΑ	INSERÇÃO DE MANGUEIRA	LETKUN SISÄKAPPALE
HOSE NIPPLE	SLANGENIPPEL	SLANGENIPPEL	ΜΑΣΤΟΣ ΕΛΑΣΤΙΚΟΥ ΣΩΛΗΝΑ	TERMINAL DE MANGUEIRA	LETKUN NIPPA
HOSE REEL	SLANGETROMMEL	SLANGEHASPE	ΕΛΑΣΤΙΚΟΥ ΣΩΛΗΝΑ	CARRETEL PARA ENROLAR MANGUEIRA	LETKUNKELA
HOSE SUPPORT	SLANGESTØTTE	SLANGESTØTTE	ΥΠΟΣΤΗΡΙΓΜΑ ΕΛΑΣΤΙΚΟΥ ΣΩΛΗΝΑ	APOIO DA MANGUEIRA	LETKUNKANNATIN
HOURLY METER	TIMETELLER	TIMEMÅLER	ΧΡΟΜΕΤΡΗΤΗΣ	CONTADOR DE HORAS	KÄYTTÖTUNTIMITTARI
HOUSE MARK	PRODUSENTERMERKE	HUSMÆRKE	ΕΝΔΕΙΚΤΙΚΟ ΣΗΜΕΙΟ	MARCA DA CASA	VALMISTAJAN MERKKI
HOUSING	HUS	HUS	ΚΕΛΥΦΟΣ	CAIXA	KOTELO
HUB	NAV	NAV	ΠΑΡΑΜΗΝΗ	CUBO	NAPA
HUMP HOSE	SLANGE	SLANGE	ΚΥΡΤΟΣ ΕΛΑΣΤΙΚΟΣ ΣΩΛΗΝΑΣ	MANGUEIRA CURVA	LETKU
HUMP REDUCER	STABILISATOR	STABILISATOR	ΚΥΡΤΟΣ ΜΕΙΩΤΗΡΑΣ	REDUTOR CURVO	PAJELASKOSTETTU LETKU

I

IDLER GEAR	MELLOMDREV	FRIGEAR	ΕΛΕΥΘΕΡΟ ΓΡΑΝΑΖΙ	ENGRENAGEM INTERMEDIÁRIA	VÄLIPYÖRÄ
IDLER PULLEY	MELLOMREMSKIVE	STYREREMSKIVE	ΕΛΕΥΘΕΡΗ ΤΡΟΧΑΛΙΑ	POLIA INTERMEDIÁRIA	VÄLIHINNAPYÖRÄ
ILS MODULE	ILS-MODUL	ILS-MODUL	ΜΟΝΑΔΑ ILS	MÓDULO ILS	ILS-MODUULI
IMPELLER	PUMPEHJUL	PUMPEHJUL	ΠΤΕΡΩΤΗ	ROTOR	JUOKSUPYÖRÄ
IMPREGNATED PAPER	IMPREGNERET PAPIR	IMPREGNERET PAPIR	ΕΜΠΟΤΙΣΜΕΝΟ ΧΑΡΤΙ	PAPEL IMPREGNADO	KYLLÄSTETTY PAPERI
INDICATION LAMP	INDIKATORLAMPE	INDIKATORLAMPE	ΕΝΔΕΙΚΤΙΚΗ ΑΥΧΝΙΑ	LÂMPADA DE REFERÊNCIA	MERKKIVALO
INDICATOR	INDIKATOR	INDIKATOR	ΔΕΙΚΤΗΣ	INDICADOR	OSOITIN
INFORMATION LABEL	MERKELAPP	INFORMATIONSLABEL	ΕΤΙΚΕΤΑ ΠΑΡΟΡΘΟΓΩΝ	ETIQUETA DE INFORMAÇÃO	INFORMAATIOTARRA
INJECTOR	INNSPRØYTNINGSDYSE	INJEKTOR	ΕΓΧΥΤΗΡΑΣ	INJECTOR	SUIHKUTUSVENTTILI
INJECTOR NOZZLE	INNSPRØYTNINGSDYSE	INNSPRØYTNINGSDYSE	ΑΚΡΟΦΥΣΙΟ ΨΕΚΑΣΜΟΥ	BOCAL DO INJECTOR	SUIHKUTUSVENTTILIN SUUTIN
INLET	INNØP	INDSUGNING	ΕΙΣΟΔΟΣ, ΕΙΣΑΓΩΓΗ	ADMISSÃO	TULO
INLET ADAPTER	INNØPSADAPTER	INDSUGNINGSADAPTER	ΠΡΟΣΑΡΜΟΓΕΑΣ ΕΙΣΟΔΟΥ	ADAPTADOR DA ADMISSÃO	IMULITIN
INLET BAFFLE	INNØPSLEDEPLATE	INDLØBSLEDEPLADE	ΔΙΑΦΡΑΓΜΑ ΕΙΣΑΓΩΓΗΣ	DEFLECTOR DE ADMISSÃO	IMUPOULEN EROTUSLEVY
INLET CASING	INNØPSHUS	INDLØBSHUS	ΠΕΡΙΒΛΗΜΑ ΕΙΣΑΓΩΓΗΣ	REVESTIMENTO DE ADMISSÃO	IMUKOTELO
INLET FLANGE	INNØPSFLENS	INDLØBSFLANGE	ΦΛΑΝΤΖΑ ΕΙΣΑΓΩΓΗΣ	FLANGE DE ADMISSÃO	IMULAIPPA
INLET MANIFOLD	INNSUGNINGSMANIFOLD	INDSUGNINGSGRÆNDRØR	ΣΥΓΚΡΟΤΗΜΑ ΣΩΛΗΝΩΣΕΩΝ ΕΙΣΟΔΟΥ	TUBAGEM DE ADMISSÃO	IMUSARIA
INLET PANEL	INNØPSPANEL	INDLØBSPANEL	ΔΙΑΦΡΑΓΜΑ ΕΙΣΑΓΩΓΗΣ	PAINEL DE ADMISSÃO	IMUPOULEN PANEELI
INLET PIPE	INNØPSRØR	INDLØBSRØR	ΣΩΛΗΝΑΣ ΕΙΣΑΓΩΓΗΣ	TUBO DE ADMISSÃO	IMUPUTKI
INLET SILENCER	LYDDEMPEP PÅ INNØPET	INDSUGNINGSDEMPEP	ΣΙΓΑΣΤΗΡΑΣ ΕΙΣΟΔΟΥ	SILENCIADOR DE ADMISSÃO	IMUÄÄNENVAIMENNIN
INLET UNION	INDLØBSKOBLING	INDLØBSKOBLING	ΣΥΝΔΕΣΜΟΣ ΕΙΣΑΓΩΓΗΣ	UNIÃO DE ADMISSÃO	TULOLIITOS
INNER PIPE	INNERØR	INDERRØR	ΕΣΩΤΕΡΙΚΟΣ ΣΩΛΗΝΑΣ	TUBO INTERIOR	SISÄPUTKI
INNER PLATE	INNENDIG PLATE	INNENDIGT PLADE	ΕΛΑΣΜΑ ΕΙΣΑΓΩΓΗΣ	PLACA INTERIOR	SISÄLEVY
INNER ROOF	INNENDIG TAK	INNENDIGT TAG	ΕΣΩΤΕΡΙΚΗ ΟΡΟΦΗ	TECTO INTERIOR	SISÄKATTO
INNER SHELL	INNENDIG PLATE	MELLEMLADE	ΕΣΩΤΕΡΙΚΟ ΠΕΡΙΒΛΗΜΑ	PAREDE INTERIOR	VÄLILEVY
INNER TUBE	INNERSLANGE	INDVENDIG SLANGE	ΕΣΩΤΕΡΙΚΟΣ ΣΩΛΗΝΑΣ	TUBO INTERIOR	SISÄRENGAS
INSERT	INNSATS	INDSATS	ΠΑΡΕΜΒΑΣΜΑ	SECÇÃO	SISÄKAPPALE
INSERT SLEEVE	INNEGGSHYLSE	INDSATSØSNING	ΦΥΛΑΟ ΠΑΡΕΜΒΑΣΜΑΤΟΣ	MANGA DE INTRODUÇÃO	SISÄHOLKKI
INSTRUCTION BOOK	BRUKSANVISNING	INSTRUKTIONSBØG	ΕΓΧΕΙΡΙΔΙΟ ΟΔΗΓΩΝ	LIVRO DE INSTRUÇÕES	OHJEKIRJA
INSTRUCTION LABEL	INSTRUKTIONSSKILT	INSTRUKTIONSETIKET	ΠΙΝΑΚΙΑ ΟΔΗΓΩΝ	ETIQUETA DE INSTRUÇÕES	OHJETARRA
INSTRUCTION PLATE	INSTRUKTIONSPLADE	INSTRUKTIONSPLADE	ΠΙΝΑΚΙΑ ΟΔΗΓΩΝ	PLACA DE INSTRUÇÕES	OHJEKILPI
INSTRUMENT BOX	INSTRUMENTBOKS	INSTRUMENTBOKS	ΚΙΒΩΤΙΟ ΟΡΓΑΝΩΝ ΕΛΕΓΧΟΥ	CAIXA DE INSTRUMENTOS	KYTKENTÄKAAPPI
INSTRUMENT DOOR	INSTRUMENTDØR	INSTRUMENTDØR	ΠΟΡΤΑ ΟΡΓΑΝΩΝ ΕΛΕΓΧΟΥ	PORTA DE INSTRUMENTOS	KYTKENTÄKAAPIN OVI
INSTRUMENT PANEL	INSTRUMENTPANEL	INSTRUMENTPANEL	ΠΙΝΑΚΑΣ ΟΡΓΑΝΩΝ	PAINEL DE INSTRUMENTOS	KOJETAULU
INSULATING HOSE	ISOLASJONSSLANGE	ISOLERINGSSLANGE	ΜΟΝΩΤΙΚΟΣ ΕΛΑΣΤΙΚΟΣ ΣΩΛΗΝΑΣ	MANGUEIRA DE ISOLAMENTO	ERISTYSLETKU

ENGLISH	NEDERLANDS	FRANCAIS	DEUTSCH	ESPAÑOL	SVENSKA	ITALIANO
INSULATING STRIP	ISOLATIESTRIP	BANDE D'ISOLATION	ISOLIERSTREIFEN	TIRA DE AISLAMIENTO	ISOLERINGSBAND	NASTRO ISOLANTE
INSULATION	ISOLATIE	ISOLATION	ISOLATION	AISLAMIENTO	ISOLERING	ISOLAMENTO
INTERCOOLER	TUSSENKOELER	REFROIDISSEUR INTERM.	ZWISCHENKÜHLER	REFRIG INTERMEDIO	MELLANKYLARE	REFRIGERATORE INTERMEDIO
INTERIOR LAMP	BINNENLAMP	LAMPE INTERIEURE	INNENLEUCHTE	LAMPARA INTERIOR	INNERLAMPARE	LAMPADA INTERNA
INTERMEDIATE PIECE	TUSSENSTUK	PIECE INTERMEDIAIRE	ZWISCHENSTÜCK	PIEZA INTERMEDIA	MELLANSTYCKE	PEZZO INTERMEDIO
INTERNAL CIRCLIP	INW. SEEGERRING	CIRCLIP INTERIEUR	SICHERUNGSRING	ANILLO DE PISTÓN INTERMEDIO	INRE LÅSRING	FERMAGLIO CIRCOLARE INTERNO
INVERTOR	OMKEERINRICHTING	CONVERTISSEUR	WECHSELRICHTER	INVERSOR	VÄXELRIKTARE	INVERTITORE
ISOLATOR	ISOLATOR	ISOLATEUR	ISOLATOR	AISLANTE	ISOLATOR	SEZIONATORE

J

JACKET	MANTEL	ENVELOPPE	VERKLEIDUNG	ENVOLTURA	MANTEL	RIVESTIMENTO
JOCKEY WHEEL	NEUSWIEL	ROUE DE SUPPORT	FÜHRUNGSROLLE	POLEA TENSORA	SPÄNNRULLE	SPALLEGGIA TENDICINGHIA
JOINT	VERBINDING	RACCORD	GELENK	JUNTA	LED	GIUNTO
JOINT BOLT	VERBINDINGSBOUT	BOULON DE RACCORDEMENT	VERBINDUNGSBOLZEN	PERNO DE LA JUNTA	LÅSBULT	BULLONE DEL GIUNTO
JOINT FOR COUPLING	VERBINDING VOOR KOPPELING	RACCORD	VERBINDUNGSGLIED/FÜRKOPPLING	JUNTA PARA LA CONEXIÓN	KOPPLINGSLED	GIUNTO PER ACCOPIAMENTO
JOURNAL	ASHALS	FUSEE	ZAPFEN	MUÑÓN	LAGERTAPP	ZONA SUPPORTATA
JUMPER	JUMPER	CAVALIER	DRAHTBRÜCKE	CONEXIÓN EN PUENTE	BYGEL	PONTE
JUMPER BAR	OVERBRUGGING	CONNEXION VOLANTE	ÜBERBRÜCKUNG	PUENTE	ÖVERBRYGGNING	PONTE
JUMPER CABLE	OVERBRUGGINGSKABEL	CABLE DE PONTAGE	ÜBERBRÜCKUNGSKABEL	CABLE DE CONEXIÓN	HJÄLPSTARTKABEL	CAVO DI ACCOPIAMENTO
JUNCTION BLOCK	AANSLUITBLOK	BLOC DE JONCTION	VERBINDUNGSBLOCK	BLOQUE DE JUNTA	KOPPLINGSBLOCK	BASSETTA DI GIUNZIONE
JUNCTION BOX	AANSLUITDOOS	BOITE DE JONCTION	ANSCHLUSSDOSE	CAJA DE EMPALMES	KOPPLINGSLÅDA	MUFFOLA

K

KEY	SLEUTEL	CLEF	SCHLÜSSEL	LLAVE	NYCKEL	CHIAVE
KEY HOLDER	SLEUTELHOUDER	PORTE-CLEF	HAHNFASSUNG	SOPORTE DE LLAVE	NYCKELHÅLLARE	SUPPORTO PER CHIAVE
KEY RING	SLEUTELRING	BAGUE DE CLEF	SCHLÜSSELRING	ANILLO LLAVE	NYCKELRING	ANELLO CON CHIAVE
KEY SWITCH	SLEUTELCONTACT	CONTACT AVEC CLEF	SCHLÜSSELSCHALTER	INTERRUPTOR CON LLAVE	NYCKELBRYTARE	INTERRUTTORE CON CHIAVE
KEY WOODRUFF	SCHIJFSPIE	CLAVETTE	SCHIEBENFEDER	CHAVETA DE MEDIA CAÑA	KIL	STELLA A CHIAVE
KING PIN	FUSEEPEN	TOURILLON DIRECT.	ACHSSCHENKELBOLZ.	PIVOTE DE DIRECCIÓN	SPINDELBULT	PERNO DEL FUSO A SNODO
KIT, COLD START AID	KOUDSTARTUITRUSTING	KIT DEMARRAGE A FROID	KALTSTARTHILFE	EQUIPO DE ARRANQUE EN FRÍO	KALLSTARTUTRUSTING	KIT, AVVIAMENTO A FREDDO
KNOB	KNOP	BOUTON	KNOPF	BOTÓN	KNAPP	MANOPOLA

L

L-BAR	HOEKPROFIEL	BARRE EN L	L-STANGE	BARRA EN L	L-STÅNG	BARRA A "L"
L-PROFILE	HOEKPROFIEL	PROFIL EN L	L-PROFIL	PERFIL EN L	L-PROFIL	PROFILO A "L"
LABEL	PLAATJE	ETIQUETTE	ETIKETTE	ETIQUETA	SKYLT	ETICHETTA
LADDER	LADDER	EHELLE	LEITER	ESCALA	STEGE	SCALA A PIOLI
LAMIN. RING	GELAAGDE RING	ANNEAU LAMINE	MEHRSCICHTRING	ANILLO LAMINADO	LAMELL	ANELLO LAMINATO
LAMP	LAMP	LAMPE	LAMPE	LÁMPARA	LAMPA	LAMPADA, SPIA
LAMPHOLDER	LAMPHOUDER	DOUILLE DE LAMPE	LAMPENFASSUNG	POR TALÁMPARA	LAMPHÅLLARE	PORTA-LAMPADA
LATCH	SLUITING	SERRURE	SERRURE	CERROJO	REGEL	CHIAVISTELLO
LEAFLET	FORMULIER	DEPLIANT	BROSCHÜRE	FOLLETO	FOLDER	VOLANTINO
LEG	POOT	PIED	FUSS	SOPORTE	BEN	GAMBA
LEG BRACKET	STEUN VOOR POOT	SUPPORT DE PIED	FUSSSTÜTZE	ABRAZADERA DE SOPORTE	BENHÅLLARE	MENSOLA DELLA GAMBA
LEGEND PLATE	PLAAT M. GEGEVENS	PLAQUE LEGENDE	ZEICHENERKLÄRUNGSSCHILD	PLACA CON INSCRIPCIÓN	TECKENSKYLT	PIASTRA DELLA LEGENDA
LENS	LENS	LENTILLE	LINSE	LENTE	LINS	LENTE
LENS, GREEN	LENS, GROEN	LENTILLE VERTE	LINSE, GRÜN	LENTE, VERDE	LINS, GRÖN	LENTE, VERDE
LENS, RED	LENS, ROOD	LENTILLE ROUGE	LINSE, ROT	LENTE, ROJA	LINS, RÖD	LENTE, ROSSA
LENS, WHITE	LENS, WIT	LENTILLE BLANCHE	LINSE, WEISS	LENTE, BLANCA	LINS, VIT	LENTE, BIANCA
LENS, YELLOW	LENS, GEEL	LENTILLE JAUNE	LINSE, GELB	LENTE, AMARILLA	LINS, GUL	LENTE, GIALLA
LEVEL DEVICE	NIVEAU MECHANISME	DISPOSITIF DE NIVELLEMENT	NIVELLIERVORR.	DISP. NIVELADOR	NIVÅREGLAGE	DISPOSITIVO DI LIVELLO
LEVEL GAUGE	NIVEAUMETER	JAUGE DE NIVEAU	NIV.-STANDMESS.	MEDIDOR DE NIVEL	NIVÅMÅTARE	LIVELLO
LEVEL INDICATOR	NIVEAUMETER	INDICATEUR DE NIVEAU	NIVEAUMESSER	INDIC. DE NIVEL	NIVÅINDIKATOR	INDICATORE DI LIVELLO
LEVEL SENSOR	PEILSENSOR	CAPTEUR DE NIVEAU	PEGELMESSFÜHLER	SENSOR DE NIVEL	NIVÅGIVARE	SENSORE DI LIVELLO
LEVEL SWITCH	NIVEAUSCHAKELAAR	INTERRUPTEUR DE NIVEAU	FÜLLSTANDSSCHALTER	INTERRUPTOR DE NIVEL	NIVÅBRYTARE	INTERRUTTORE DI LIVELLO
LEVER	HEFBOOM	LEVIER	HEBEL	PALANCA	HÅVARM	LEVA
LH (LEFT HAND)	LINKS	GAUCHE	LINKS	MANO IZQUIERDA	VÄNSTER	SINISTRA
LID	DEKSEL	COUVERCLE	DECKEL	CUBIERTA	LOCK	SPORTELLA
LIFTING BEAM	HUSBALK	LEVIER DE LEVAGE	HEBEBAUM	VIGA DE ELEVACIÓN	LYFTOK	TRAVE DI SOLLEVAMENTO
LIFTING DEVICE	HEFWERKTUIG	DISPOSITIF DE LEVAGE	HEBEWERKZEUG	DISPOSITIVA DE ELEVACIÓN	LYFTANORDNING	DISPOSITIVO DI SOLLEVAMENTO
LIFTING EYE	HUISOOG	OEIL DE LEVAGE	HEBEÖSE	ANILLA DE ELEVACIÓN	LYFTÖGLA	GOLFARE
LIFTING FRAME	HUISFREEM	CADRE DE LEVAGE	HEBERAHMEN	BASTIDOR DE IZAR	LYFTRAM	STRUTTURA DI SOLLEVAMENTO
LIFTING PLATE	HEFPLAAT	PLAQUE DE LEVAGE	HEBEPLATTE	PLACA DE ELEVACIÓN	LYFTPLÅT	PIASTRA DI SOLLEVAMENTO
LIFTING SUPPORT	HEFSTEUN	SUPPORT DE LEVAGE	HEBESTÜTZE	SOPORTE DE ELEVACIÓN	LYFTSTÖD	SUPPORTO DI SOLLEVAMENTO
LIFTING TOOL	HIJSTOESTEL	OUTIL DE LEVAGE	HEBEZEUG	APARATO ELEVADOR	LYFTVERKTYG	UTENSILE DI SOLLEVAMENTO
LIFTING YOKE	HEFJUK	PALANCHE DE LEVAGE	HEBEJOCH	BRIDA DE ELEVACIÓN	LYFTOK	MORSETTO DI SOLLEVAMENTO
LIGHT	LICHT	LAMPE	LICHT	LUZ	LAMPA	LUCE
LIGHT AND HORN	LICHT EN GELUID	ECLAIRAGE ET SONNERIE	LEUCHTE UND HUPE	LUZ Y BOCINA	LAMPA OCH SIGNALHORN	LAMPA E AVVISATORE ACUSTICO
LIGHT REFLECTOR	REFLECTOR V. LAMP	REFLECTEUR	REFLEKTOR	REFLECTOR DE LUZ	LAMPREFLEKTOR	RIFLETTORE
LIGHT TOWER	VERLICHTINGSTOREN	TOUR D'ECLAIRAGE	LEUCHTTURM	TORRE DE LUZ	LAMPSTOLPE	TORRE DELLA LUCE
LIMIT SWITCH	BEGRENZINGSSCHAKELAAR	INTERR. FIN DE COURSE	GRENZSCHALTER	INTERR. FINAL DE CARRERA	GRÄNSSTALLARE	INTERRUTTORE DI FINE-CORSA
LINE CONTACTOR	LIJNCONTACTOR	CONTACTEUR DE LIGNE	LEITUNGSSCHALTER	CONTACTOR DE LÍNEA	NÄTKONTAKTOR	CONTATTATORE DI LINEA
LINER	VOERING	GARNITURE	AUSKLEIDUNG	FORRO	INSATS	SPESORE
LINK	VERBINDINGSSTUK	ARTICULATION	VERBINDUNGSGLIED	UNIÓN	LÄNK	ARTICOLAZIONE
LINK PIN	VERBINDINGSPEN	GOUILLE D'ARTICULATION	VERBINDUNGSSTIFT	CLAVIA DE ENLACE	KÄTTINGBULT	SPINA DELL'ARTICOLAZIONE
LINK ROD	VERBINDINGSSTANG	BROCHE D'ARTICULATION	VERBINDUNGSSTANGE	BARRA DE ENLACE	LÄNKSTÅNG	STILO DELL'ARTICOLAZIONE
LIP SEAL	LIPAFDICHTING	JOINT LANGUETTE	LIPPENDICHTUNG	JUNTA DE LABIOS	LÄPPTÄTNING	TENUTA A LABBRO
LIQUID DRYER	VLOEISTOFDROGER	SECHEUR DE LIQUIDE	FLÜSSIGK.-TROCKNER	SECADOR DE LÍQUIDO	VÅTSKETORKARE	ESSICCATORE PER LIQUIDO
LIQUID RECEIVER	VLOEISTOFVAT	RESERVOIR, LIQUIDE	FLÜSSIGKEITSGEFÄSS	DEPÓSITO DE LÍQUIDO	VÅTSKEBEHÅLLARE	SERBATORIO DEL LIQUIDO
LOAD CENTER	BELASTINGSMIDDELPUNT	CENTRE DE CHARGEMENT	LASTSCHWERPUNKT	CENTRO DE CARGA	LASTCENTRUM	CENTRO DI CARICO
LOADING VALVE	BELASTKLEP	SOUPAPE DE CHARGE	BELASTUNGSVENTIL	VÁLVULA DE CARGA	PÅLASTNINGSVENTIL	VÁLVOLA DI MESSA A CARICO
LOCATING RING	POSITIONERINGSRING	BAGUE DE CENTRAGE	AUFNAHMERING	ANILLO DE LOCALIZACIÓN	LÅSRING	ANELLO DI CENTRAGGIO
LOCK	SLOT	SERRURE, VERROUILLAGE	SCHLOSS	CERRADURA	LÅS	FERMO
LOCK DEVICE	BORGMECHANISME	DISPOSITIF DE VERROUILLAGE	PESTSTELLVORRICHTUNG	DISPOSITIVO DE BLOQUEO	LÅSANORDNING	DISPOSITIVO DI BLOCCAGGIO
LOCK HOOK	BORGHAAK	CROCHET DE VERROUILLAGE	VERRIEGELUNGSHAKEN	GANCHO DE BLOQUEO	LÅSHAKE	GANCIO DI FERMO
LOCK NUT	BORGMOER	CONTRE-ECROU	KONTERMUTTER	CONTRATUERCA	LÅSMUTTER	CONTRODADO
LOCK PIN	BORGPEN	GOUILLE DE FIXATION	HALTEBOLZEN	PASADOR DE FIJACIÓN	LÅSBULT	SPINA DI FERMO
LOCK RING	BORGGRING	BAGUE D'ARRÊT	SICHERUNGSRING	ANILLO DE CIERRE	LÅSRING	ANELLO DI FERMO
LOCK SPRING	BORGVEER	RESSORT	HALTEFEDER	MUELLE DE CIERRE	LÅSFJÄDER	MOLLA DI FERMO
LOCK WASHER	BORGPLAATJE	RONDELLE DE BLOCAGE	SICHERUNGSSCHEIBE	ARANDELA DE SEGURIDAD	LÅSBRICKA	ROSETTA DI SICUREZZA
LOCK WIRE	BORGDRAAD	FIL DE BLOCAGE	ARRETIERUNGSDRAHT	HILO DE BLOQUEO	LÅSTRÅD	FILO DI FRENATURA
LOCKING BAR	BORGSTANG	BARRE DE BLOCAGE	RIEGEL	BARRA DE BLOQUEO	LÅSKOLV	BARRA DI BLOCCAGGIO
LOCKING CLAMP	BORGKLEM	ATTACHE DE BLOCAGE	VERRIEGELUNGSKLEMME	ABRAZADERA DE BLOQUEO	LÅSKLÄMMA	MORSETTO DI BLOCCAGGIO
LOCKING CLIP	BORGCLIP	ATTACHE DE BLOCAGE	VERRIEGELUNGSCLIP	PRESILLA DE BLOQUEO	LÅSKLÄMMA	FERMAGLIO DI SICUREZZA
LOCKING PLATE	BORGPLAAT	PLAQUE DE BLOCAGE	SICHERUNGSBLECH	PLACA DE FIJACIÓN	LÅSPLÅT	PIASTRA DI BLOCCAGGIO
LOCKING ROD	BORGSTANG	BROCHE DE BLOCAGE	VERRIEGELUNGSSTANGE	BARRA DE BLOQUEO	LÅSSTÅNG	STILO DI FERMO
LOUVER	ROOSTER	GRILLE	GITTER	REJILLA	GALLER	SFINISTRATURA
LOW VOLTAGE PROTECTION	LAAGSPANNINGSBEVEILIGING	PROTECTION BASSE TENSION	NIEDERSpannungSSCHUTZ	PROTECCIÓN DE VOLTAJE BAJO	LÅGSPÄNNINGSSKYDD	PROTEZIONE A BASSO VOLTAGGIO
LOWER	ONDERSTE	INFERIEUR	UNTER	INFERIOR	NEDRE	INFERIORE

ENGLISH	NORSK	DANSK	ΕΛΛΗΝΙΚΑ	PORTUGUÊS	SUOMI
INSULATING PLATE	ISOLASJONSPLEATE	ISOLERINGSPLADE	ΜΟΝΩΤΙΚΗ ΠΛΑΚΑ	PLACA DE ISOLAMENTO	ERISTYSLEVY
INSULATING STRIP	ISOLASJONSLIST	ISOLERINGSLISTE	ΜΟΝΩΤΙΚΗ ΤΑΙΝΙΑ	FAIXA DE ISOLAMENTO	ERISTYSLIUSKA
INSULATION	ISOLERING	ISOLERING	ΜΟΝΩΣΗ	ISOLAMENTO	ERISTE
INTERCOOLER	LADELUFTKJØLER	MELLEMKØLER	ΕΝΔΙΑΜΕΣΟΣ ΨΥΚΤΗΣ	REFRIGERADOR INTERMEDIÁRIO	VÄLIJÄÄHDYTYN
INTERIOR LAMP	INTERIØRLAMPE	INTERIØRLAMPE	ΕΣΩΤΕΡΙΚΗ ΑΑΜΠΙΑ	LÂMPADA INTERIOR	SISÄVALO
INTERMEDIATE PIECE	MELLOMSTYKKE	MELLEMSTYKKE	ΕΝΔΙΑΜΕΣΟ ΤΜΗΜΑ	PEÇA INTERMÉDIA	VÄLIKAPPALE
INTERNAL CIRCLIP	INNVEDIG LÅSERING	INDVENDIG LÅSERING	ΕΣΩΤΕΡΙΚΟΣ ΑΣΦΑΛΕΤΙΚΟΣ ΠΑΡΑΚΥΚΛΟΣ	ANEL DE RETENÇÃO INTERNO	SISÄINEN LUKKORENGAS
INVERTOR	OMFORMER	INVERTER	ΙΝΒΕΡΤΕΡ, ΗΛΕΚΤΡΟΜΕΤΑΤΡΟΠΗΑΣ	INVERSOR	KÄÄNNIN
ISOLATOR	ISOLATOR	ISOLATOR	ΑΠΟΜΟΝΩΤΗΡΑΣ	ISOLADOR	EROTIN

J

JACKET	KAPPE	KAPPE	ΕΠΕΝΔΥΣΗ, ΧΙΤΩΝΙΟ, ΠΕΡΙΒΛΗΜΑ	REVESTIMENTO DE PROTECÇÃO	VAIPPA
JOCKEY WHEEL	STRAMMEHJUL	STRAMMERULLE	ΕΝΤΑΤΗΡΑΣ ΤΡΟΧΟΣ	RODA TENSORA	OHJAUSPYÖRÄ
JOINT	KOPLING	SAMLING	ΣΥΝΔΕΣΜΟΣ	JUNTA	YHDYSKAPPALE
JOINT BOLT	KOPLINGSBOLT	KOBLINGSBOLT	ΚΟΧΛΙΑΣ ΣΥΝΔΕΣΜΟΥ	PARAFUSO DA JUNTA	YHDYSPULTTI
JOINT FOR COUPLING	KOPLINGSFORBINDELSE	KOBLINGSFORBINDELSE	ΣΥΝΔΕΣΜΟΣ ΣΥΖΕΥΣΗΣ	JUNTA PARA ACOPLAMENTO	KYTKIMEN LIITOS
JOURNAL	LAGERTAPP	AKSELTAP	ΠΕΡΙΛΕΞΟΝΙΟ	APÓIO	AKSELITAPPI
JUMPER	STRAPP	PROVEKABEL	ΔΙΑΚΑΛΩΣΗΤΗΡΑΣ	LIGAÇÃO EM PONTE	HYPPYJOHDIN
JUMPER BAR	BROKOPLING	TVÆRSTANG	ΜΠΑΡΑ ΔΙΑΚΑΛΩΣΗΣ	BARRA PONTE	SILTÄUS
JUMPER CABLE	FORBINDELSESKABEL	KABEL TIL TVÆRSTANG	ΚΑΛΩΔΙΟ ΔΙΑΚΑΛΩΣΗΣ	CABO DE LIGAÇÃO DIRECTA	VÄLIKAAPPELI
JUNCTION BLOCK	KOPLINGSBLOK	KOBLINGSBLOK	ΣΥΣΤΗΜΑ ΔΙΑΚΑΛΩΣΗΣ	BLOCO DE JUNÇÃO	HAAROTTUSRASIA
JUNCTION BOX	KOPLINGSBOKS	KOBLINGSKASSE	ΚΟΥΤΙ ΔΙΑΝΟΜΗΣ	CAIXA DE DERIVAÇÃO / JUNÇÃO	HAAROTTUSRASIA

K

KEY	NØKKEL	NØGLE	ΚΛΕΙΔΙ	CHAVE	AVAIN
KEY HOLDER	NØKKELHOLDER	NØGLEHOLDER	ΥΠΟΔΟΧΗ ΚΛΕΙΔΙΑΡΙΑΣ	CHAVE FIXADORA	AVAIMENPIDIN
KEY RING	NØKKELRING	NØGLERING	ΔΑΚΤΥΛΙΟΣ ΚΛΕΙΔΙΑΡΙΑΣ	CHAVE DE LUNETA	AVAINRENGAS
KEY SWITCH	NØKKELBRYTER	NØGLEAFBRYDER	ΚΛΕΙΔΙ ΔΙΑΚΟΠΤΗΣ	INTERRUPTOR DE CHAVE	AVAINKYTKIN
KEY WOODRUFF	WOODRUFF-KILE	SKIVEFJEDER	ΕΥΛΙΝΟ ΚΟΛΑΡΟ ΚΛΕΙΔΙΑΡΙΑΣ	CHAVE DE WOODRUFF	SEGMENTTIKILLA
KING PIN	SPINDELBOLE	STYREBOLE	ΠΙΠΕΡΟΣ ΑΚΡΑΞΟΝΙΟΥ	PINO CENTRAL	KESKIÖTÄPPI
KIT, COLD START AID	KALDSTARTSETT	KOLDSTARTSÆT	ΣΥΝΟΔΟ ΕΞΑΡΤΗΜΑΤΩΝ ΨΥΧΡΗΣ ΕΚΚΙΝΗΣΗΣ	CON. DE AJUDA PARA ARRAN. FRIO	KYLMÄKÄYNNISTYSLAITTEET
KNOB	KNAPP	KNAP	ΚΟΜΒΟΣ	MAÇANETA	NUPPI

L

L-BAR	L-STANG	L-STANG	ΜΠΑΡΑ L	BARRA EM L	L-PROFILLI
L-PROFILE	L-PROFIL	L-PROFIL	ΔΙΑΤΟΜΗ L	PERFILE M L	L-PROFILLI
LABEL	SKILT	SKILT	ΠΙΝ ΑΚΙΛΙΑ	ETIQUETA	KILPI
LADDER	STIGE	STIGE	ΣΚΑΛΑ	ESCADA	TIKAPUUT
LAMIN RING	LAMELL	LAMEL	ΣΤΙΒΜΑΤΟΠΟΙΗΜΕΝΟΣ ΔΑΚΤΥΛΙΟΣ	ANEL LAMINADO	LAMELLIRENGAS
LAMP	LAMPE	LAMPE/PÆRE	ΛΥΧΝΙΑ, ΑΑΜΠΙΑ, ΦΑΝΟΣ	LÂMPADA	LAMPPU
LAMPHOLDER	LAMPHEOLDER	LAMPHEOLDER/FATNING	ΥΠΟΔΟΧΗ ΑΑΜΠΙΑΣ	SUPORTE DE LÂMPADA	LAMPUNPIDIN
LATCH	FALLE	KLINKE	ΣΥΡΤΗΣ	TRINCO	SALPA
LEAFLET	BROSJYRE	BROCHURE	ΦΥΛΛΑΔΙΟ	FOLHETO	LEHTINEN
LEG	BEN	BEN	ΣΚΕΛΟΣ	ESCORA	JALKA
LEG BRACKET	BENBRACKET	BENKONSOL	ΜΗΡΑΚΕΤΟ ΣΚΕΛΟΥΣ	ESCORA DE SUPORTE	JALAN TUKI
LEGEND PLATE	MERKEPLATE	PLADE MED BESKRIVELSE	ΠΙΝ ΑΚΙΛΙΑ ΥΠΟΜΗΜΑΤΟΣ	PLACA INDICADORA	INFOKILPI
LENS	LINSE	LYGTEGLAS	ΦΑΚΟΣ	LENTE	LINSSI
LENS, GREEN	LINSE, GRØNN	LYGTEGLAS, GRØN	ΦΑΚΟΣ, ΠΡΑΣΙΝΟΣ	LENTE VERDE	LINSSI, VIHREÄ
LENS, RED	LINSE, RØD	LYGTEGLAS, RØD	ΦΑΚΟΣ, ΚΟΚΚΙΝΟΣ	LENTE VERMELHA	LINSSI, PUNAINEN
LENS, WHITE	LINSE, HVIT	LYGTEGLAS, HVID	ΦΑΚΟΣ, ΛΕΥΚΟΣ	LENTE BRANCA	LINSSI, VALKOINEN
LENS, YELLOW	LINSE, GUL	LYGTEGLAS, GUL	ΦΑΚΟΣ, ΚΙΤΡΙΝΟΣ	LENTE AMARELA	LINSSI, KELTAINEN
LEVEL DEVICE	NIVÅREGULATOR	NIVÅREGULERING	ΣΥΣΤΗΜΑ ΕΛΕΥΧΟΥ ΣΤΑΘΜΗΣ	DISPOSITIVO NIVELADOR	TASONSAÄDIN
LEVEL GAUGE	NIVÅMÅLER	NIVÅUMÅLER	ΜΕΤΡΗΤΗΣ ΕΛΕΥΧΟΥ ΣΤΑΘΜΗΣ	MANÓMETRO INDICADOR DE NÍVEL	TASOMITTARI
LEVEL INDICATOR	NIVÅINDIKATOR	NIVÅUNDIKATOR	ΔΕΙΚΤΗΣ ΣΤΑΘΜΗΣ	INDICADOR DE NÍVEL	TASON OSOITIN
LEVEL SENSOR	NIVÅFØLER	NIVÅAUFØLER	ΑΣΘΗΤΗΡΑΣ ΣΤΑΘΜΗΣ	SENSOR DE NÍVEL	TASOANTURI
LEVEL SWITCH	NIVÅBRYTER	NIVÅAUFBRYDER	ΔΙΑΚΟΠΤΗΣ ΣΤΑΘΜΗΣ	INTERRUPTOR DE NÍVEL	TASOKYTKIN
LEVER	SPAK	LØFTEAM	ΜΟΧΛΟΣ	ALAVANCA	VIPU
LH (LEFT-HAND)	VS (VENSTRE SIDE)	VH (VENSTRE)	ΑΡΙΣΤΕΡΑ	ESQUERDO	VASEN
LID	LØK	LÅG	ΚΑΠΑΚΙ	PORTINHOLA	KANSI
LIFTING BEAM	LØFTESTAG	LØFTESTANG	ΔΟΚΟΣ ΑΝΥΨΩΣΗΣ	VIGA DE ELEVAÇÃO	NOSTOPALKKI
LIFTING DEVICE	LØFTEANORDNING	LØFTEANORDNING	ΑΝΥΨΩΤΙΚΗ ΔΙΑΤΑΞΗ	DISPOSITIVO DE ELEVAÇÃO	NOSTOLAITE
LIFTING EYE	LØFTEBØYE	LØFTEBØYE	ΔΑΚΤΥΛΙΟΣ ΑΝΥΨΩΣΗΣ	OLHAL DE ELEVAÇÃO	NOSTOSILMUKKA
LIFTING FRAME	LØFTERAMME	LØFTERAMME	ΠΛΑΙΣΙΟ ΑΝΥΨΩΣΗΣ	QUADRO DE ELEVAÇÃO	NOSTOTELINE
LIFTING PLATE	LØFTEPLATE	LØFTEPLATE	ΑΝΥΨΩΤΙΚΗ ΠΛΑΚΑ	PLACA DE ELEVAÇÃO	NOSTOLEVY
LIFTING SUPPORT	LØFTEOPPHENG	LØFTEOPPHENG	ΥΠΟΣΤΗΡΙΓΜΑ ΑΝΥΨΩΣΗΣ	APOIO DE ELEVAÇÃO	NOSTOTUKI
LIFTING TOOL	LØFTEREDSKAP	LØFTEVERKTØJ	ΕΡΓΑΛΕΙΟ ΑΝΥΨΩΣΗΣ	FERRAMENTA DE ELEVAÇÃO	NOSTOLAITE
LIFTING YOKE	LØFTEÅK	LØFTEÅG	ΑΝΥΨΩΤΙΚΟΣ ΖΥΓΟΣ	BARRA DE ELEVAÇÃO	NOSTOIES
LIGHT	LAMPE	LAMPE	ΦΩΣ	LUZ	VALO
LIGHT AND HORN	LAMPE OG HORN	LYS OG HORN	ΦΑΡΟΣ ΚΑΙ ΚΟΡΝΑ	LUZES E BUZINA	VALO JA ÄÄNIMERKKI
LIGHT REFLECTOR	LAMPREFLEKTOR	LYSREFLEKTOR	ΑΝΑΚΑΑΣΤΗΡΑΣ ΦΑΡΟΥ	REFLECTOR LUMINOSO	LAMPUN HEIJASTIN
LIGHT TOWER	LAMPETÅR	LYSMÅST	ΦΑΡΟΣ	TORRE DE ILUMINAÇÃO	VALOMASTO
LIMIT SWITCH	GRENSEBRYTER	GRÆNSEKONTAKT	ΠΕΡΙΟΡΙΣΤΙΚΟΣ ΔΙΑΚΟΠΤΗΣ	INTERRUPTOR LIMITADOR	RAJAKYTKIN
LINE CONTACTOR	TILKOPLING TIL STRØMNETTET	NETKONTAKTOR	ΕΠΑΦΑΣ ΓΡΑΜΜΗΣ	CONTACTOR DE LINHA	VERKKOLIITIN
LINER	FORING	INDSATS FORING	ΠΕΡΙΒΛΗΜΑ, ΕΠΙΝΔΥΣΗ	FORRO	SISÄKAPPALE
LINK	LEDD	(KÆDE-)LED	ΣΥΝΔΕΣΜΟΣ	UNIÃO	NIVEL
LINK PIN	LEDDPINNE	KÆDEBOLT	ΣΥΝΔΕΤΙΚΟΣ ΠΙΠΕΡΟΣ	PINO DE ARTICULAÇÃO	NIVELPULTTI
LINK ROD	LEDDSTANG	PLEJLSTANG	ΣΥΝΔΕΤΙΚΗ ΡΑΒΔΟΣ	BIELA ARTICULADA	YHDYSTANKO
LIP SEAL	LEPPETETNING	LUKKEFLADEPAKNING	ΣΤΕΓΑΝΩΣΗ ΧΕΙΛΙΟΣ	SELO DE VIROLA	KIELTIIVISTE
LIQUID DRYER	VÆSKETØRNER	VÆSKETØRNER	ΞΗΡΑΝΤΗΡΑΣ ΥΓΡΟΥ	SECADOR DE LÍQUIDO	SIKKATIVI
LIQUID RECEIVER	VÆSKEBEHOLDER	VÆSKEBEHOLDER	ΣΥΛΛΕΚΤΗΣ ΥΓΡΟΥ	VASO DE LÍQUIDO	NESTESÄILÖ
LOAD CENTER	TYNGDEPUNKT	TYNGDEPUNKT	ΚΕΝΤΡΟ ΒΑΡΟΥΣ	CENTRO DE CARGA	KUORMAN PAINOPISTE
LOADING VALVE	PÅLÅSTINGSVENTIL	BELASTNINGSVENTIL	ΒΑΛΒΙΔΑ ΦΟΡΤΙΣΗΣ	VÁLVULA DE CARGA	KUORMITUSVENTTILI
LOCATING RING	STYRERING	LÅSERING	ΔΑΚΤΥΛΙΟΣ ΘΕΣΗΣ	ANEL DE INSTALAÇÃO	KOHDISTUSRENGAS
LOCK	LÅS	LÅS	ΚΛΕΙΔΙΑΡΙΑ	APERTO / FIXAÇÃO	LUKKO
LOCK DEVICE	LÅSEANORDNING	LÅSEANORDNING	ΣΥΣΤΗΜΑ ΑΣΦΑΛΕΣΗΣ	DISPOSITIVO DE APERTO	LUKITUSLAITE
LOCK HOOK	LÅSEKROK	LÅSEKROG	ΑΓΚΕΤΡΟ ΑΣΦΑΛΕΣΗΣ	GANCHO DE APERTO	LUKITUSKOUKKU
LOCK NUT	LÅSEMUTTER	LÅSEMØTRIK	ΑΣΦΑΛΕΤΙΚΟ ΠΕΡΙΦΕΡΕΙΑΚΟ	CONTRAPORCA	LUKKOMUTTERI
LOCK PIN	LÅSEBOLT	LÅSESTIFT	ΠΕΡΟΝΗ ΑΣΦΑΛΕΙΑΣ	PINO DE TRAVAMENTO	LUKKOTAPPI
LOCK RING	LÅSERING	LÅSERING	ΔΑΚΤΥΛΙΟΣ ΑΣΦΑΛΕΙΑΣ	ANEL DE APERTO	LUKKORENGAS
LOCK SPRING	LÅSEFJEDER	LÅSEFJEDER	ΕΛΑΤΗΡΙΟ ΑΣΦΑΛΕΙΑΣ	MOLA DE APERTO	LUKITUSJOUSI
LOCK WASHER	LÅSESKIVE	SPENDESKIVE TIL LÅS	ΡΟΛΕΑ ΑΣΦΑΛΕΙΑΣ	ANILHA DE PRESSÃO	LUKKOLAATTA
LOCK WIRE	LÅSETRÅD	LÅSETRÅD	ΣΥΡΜΑ ΑΣΦΑΛΕΙΑΣ	ARAME DE FIXAÇÃO	LUKITUSLANKA
LOCKING BAR	LÅSESTANG	LÅSESTANG	ΑΣΦΑΛΕΤΙΚΗ ΜΠΑΡΑ	BARRA DE TRAVAMENTO	LUKITUSTANKO
LOCKING CLAMP	LÅSEKLEMME	LÅSEKLEMME	ΑΣΦΑΛΕΤΙΚΟΣ ΣΦΙΚΤΗΡΑΣ	GRAMPO DE TRAVAMENTO	LUKITUSPINNE
LOCKING CLIP	LÅSEKLEMME	LÅSEKLEMME	ΑΣΦΑΛΕΤΙΚΗ ΑΑΒΙΑ	PINÇA DE TRAVAMENTO	LUKITUSPINNE
LOCKING PLATE	LÅSEPLATE	LÅSEPLADE	ΑΣΦΑΛΕΤΙΚΗ ΠΛΑΚΑ	PLACA DE TRAVAMENTO	LUKITUSLEVY
LOCKING ROD	LÅSESTANG	LÅSESTANG	ΑΣΦΑΛΕΤΙΚΗ ΡΑΒΔΟΣ	BIELA DE TRAVAMENTO	LUKITUSTANKO
LOUVER	GITTER	SPJELD	ΑΠΕΡΟ ΨΑΛΑ	ABERTURA PARA VENTILAÇÃO	SÄLEIKKÖ
LOW VOLTAGE PROTECTION	UNDERSPENNINGSVERN	UNDERSPENDINGSBESKYTTELSE	ΠΡΟΣΤΑΣΙΑ ΧΑΜΗΛΗΣ ΤΑΣΗΣ	PROTECÇÃO DE TENSÃO BAIXA	PIENJÄNNITUSUOJAUS

ENGLISH	NEDERLANDS	FRANCAIS	DEUTSCH	ESPAÑOL	SVENSKA	ITALIANO
LUBRICATING NIPPLE	SMEERNIPPEL	GRAISSEUR	SCHMIERNIPPEL	BOQUILLA DE LUBRICACIÓN	SMÖRNIPPEL	INGRASSATORE
LUBRICATING OIL	SMEEROLIE	HUILE DE LUBRIFICATION	SCHMIERÖL	ACEITE LUBRICANTE	SMÖRROLJA	OLIO LUBRIFICANTE
LUBRICATING RING	SMEERRING	ANNEAU DE GRAISSAGE	SCHMIERRING	ANILLO DE LUBRICACIÓN	SMÖRRING	ANELLO LUBRIFICANTE
LUBRICATOR	SMEERTOESTEL	LUBRIFICATEUR	SCHMIERAPPARAT	LUBRICADOR	SMÖRJAPPARAT	OLIATORE, INGRASSATORE
M						
MAGNETIC CATCH	MAGNEETPLAAT	PLAQUETTE MAGNETIQUE	MAGNETVERSCHLUSS	RETÉN MAGNÉTICO	MAGNETSPÄRR	FERMO MAGNETICO
MAGNETIC PICK-UP	MAGNEETOPNEMER	PRISE MAGNETIQUE	MAGNETISCHER AUFNEHMER	RECEPCIÓN MAGNÉTICA	MAGNETMÅTARE	FONORIVELATORE MAGNETICO
MAGNETIC SENSOR	MAGNEETSSENSOR	DETECTEUR MAGNETIQUE	MAGNETISCHER SENSOR	SENSOR MAGNÉTICO	MAGNETAVKÄNNARE	SENSORE MAGNETICO
MAIN FILTER ELEMENT	HOOFD-FILTERELEMENT	EL. FILTRAGE PRINCIPAL	HAUPTFILTERELEMENT	ELEMENTO DEL FILTRO PRINCIPAL	HUVUDFILTERELEMENT	ELEMENTO FILTRANTE PRINCIPALE
MAIN SUPPORT	HOOFD-STEUN	SUPPORT PRINCIPAL	HAUPTSTÜTZE	SOPORTE PRINCIPAL	HUVUDSTÖD	SUPPORTO PRINCIPALE
MAIN SWITCH	HOOFDSCHAKELAAR	INTERRUPTEUR PRINCIPAL	HAUPTSCHALTER	INTERRUPTOR PRINCIPAL	HUVUDSTRÖMBRYTARE	INTERRUPTORE PRINCIPALE
MALE	MANNELIJK	MALE	INNENTEIL	MACHO	HAN	MASCHIO
MALE ADAPTOR	MANN. AANSLUITING	RACCORD REDUCTEUR MALE	STECKBARER ADAPTER	ADAPTADOR MACHO	HANADAPTER	ADATTATORE MASCHIO
MALE CONNECTOR	MANN. VERBINDING	CONNECTEUR MALE	STECKER	CONNECTOR MACHO	HANKONTAKT	CONNETTORE MASCHIO
MALE ELBOW	MANN. KNEEVERBINDING	COUDE MALE	KNIESTÜCK	CODO MACHO	HANKRÖK	GOMITO MASCHIO
MALE FITTING	MANN. VERBINDING	RACCORD MALE	STECKVERBINDUNG	ACCESORIO MACHO	SKRUVGÅNGA	ACCESORIO MASCHIO
MALE ROTOR	MANN. ROTOR	ROTOR MALE	HAUPTLÄUFER	ROTOR MACHO	SKRUVROTOR	ROTORE MASCHIO
MANIFOLD	COLLECTOR	COLLECTEUR	SAMMELROHR	COLLECTOR	GRENRÖR	COLLETTORE
MANIFOLD BOX	VERDELER	BOITE DE COLLECTEUR	KRÜMMER	CAJA DISTRIBUIDORA	FÖRGRENINGSDOSA	SCATOLA DEL COLLETTORE
MANOMETER	MANOMETER	MANOMETRE	MANOMETER	MANÓMETRO	MANOMETER	MANOMETRO
MAP	MAP	CARTE	KARTE	PLANO	KARTA	CARTA
MARKING	PICTOGRAM	PICTOGRAMME	MARKIERUNG	SEÑALES DE INFORMACIÓN	MÄRKNING	CONTRASSEGNO
MARKING TAG	ETIKET	ETIQUETTE	ETIKETTE	ETIQUETA	SKYLT	ETICHETTA DI MARCHIATURA
MAT	MAT	TAPIS	MATTE	PLACA	MATTA	TAPPETINO
MEMBRANE	MEMBRAAN	MEMBRANE	MEMBRAN	MEMBRANA	MEMBRAN	MEMBRANA
MEMBRANE COVER	MEMBRAAN DEKSEL	COUVERCLE DE MEMBRANE	MEMBRANABDECKUNG	CUBIERTA DE LA MEMBRANA	MEMBRANHUV	COVERCHIO DELLA MEMBRANA
MID PANEL	MIDDENPANEEL	PANNEAU CENTRAL	MITTEL PANEEL	PANEL CENTRAL	CENTRAL PANEL	PANNELLO CENTRALE
MINERAL WOOL	ROTSWOL	LAINÉ MINÉRALE	MINERALWOLLE	LANA MINERAL	MINERALULL	COTONE SILICATO
MINIMUM PRESS. VALVE	MINIMUMDRUKKLEP	SOUPAPE, PRESSION. MIN.	MINDESTDRUCKVENT.	VÁLV. PRESIÓN MÍN.	MINIMTRYCKVENTIL	VALVOLA DI PRESSIONE MINIMA
MIRROR	SPEGEL	MIROIR	SPIEGEL	ESPEJO	SPEGEL	SPEGCHIO
MODULE	MODUUL	MODULE	MODUL	MÓDULO	MODUL	MODULO
MOISTURE TRAP	WATERAFSCHEIDER	SEPARATEUR D'EAU	WASSERABSCHIEDER	COLECTOR DE AGUA	VATTENAVSKILJARE	SEPARATORE DI UMIDITA'
MONITORING PLUG	CONTOLEPLUG	BOUCHON DE CONTROLE	KONTROLLSTÖPSEL	TAPÓN DE CONTROL	ÖVERVAKNINGSP.L.	TAPPO DI MONITORAGGIO
MOTOR	MOTOR	MOTEUR	MOTOR	MOTOR	MOTOR	MOTORE
MOTOR FLANGE	MOTORFLENS	BRIDE DE MOTEUR	MOTORFLANSCH	BRIDA DEL MOTOR	MOTORFLÄNS	FLANGIA DEL MOTORE
MOTOR PART	MOTORONDERDEEL	PIÈCE DE MOTEUR	MOTORTEIL	PIEZA DEL MOTOR	MOTORRESERVDEL	PARTI DEL MOTORE
MOTOR SUPPORT	MOTORSTEUN	SUPPORT DE MOTEUR	MOTORSTÜTZE	SOPORTE DEL MOTOR	MOTORSTÖD	SUPPORTO MOTORE
MOUNT	BEVESTIGING	SUPPORT	HALTERUNG	MONTURA	FÄSTE	PREDISPOSIZIONI DI MONTAGGIO
MOUNTING BAND	BEVESTIGINGSGRIEM	BANDE DE FIXATION	BEFESTIGUNGSBAND	CINTA DE MONTAJE	FÄSTBAND	BANDA DI MONTAGGIO
MOUNTING PANEL	MONTEERPANEEL	PANNEAU DE FIXATION	MONTAGEPLATTE	PANEL DE FIJACIÓN	FÄSTPANEL	PANNELLO DI MONTAGGIO
MOUNTING PLATE	BEVESTIGINGSPLAAT	PLAQUE DE FIXATION	BEFESTIGUNGSPLATTE	PLACA DE MONTAJE	FÄSTPLÅT	PIASTRA DI MONTAGGIO
MOUNTING RAIL	BEVESTIGINGSLIJST	RAIL DE FIXATION	BEFEST.-SCHIENE	CARRIL DE FIJACIÓN	FÄSTE	ROTAIA DI MONTAGGIO
MOUNTING TOOL	BEVESTIGINGSGEREEDSCHAP	OUTIL DE FIXATION	MONTIERWERKZEUG	HERRAMIENTAS DE MONTAJE	FÄSTVERKTYG	UTENSILE DI MONTAGGIO
MUD FLAP	SPATLAP	GARDE-BOUE	SCHMUTZFÄNGER	ALETA DEL GUARDABARROS	STÄNKSKYDD	PARASPRUZZI
MUDGUARD	SPATBORD	GARDE-BOUE	KOTFLÜGEL	GUARDABARROS	STÄNKSKÅRM	PARAFANGO
MUFFLER	GELUIDDEMPER	SILENCIEUX	SCHALLDÄMPFER	SILENCIADOR	LJUDDÄMPARE	SILENZIATORE
N						
NAME PLATE	NAAMPLAAT	PLAQUE SIGNALÉTIQUE	TYPENSCHILD	PLACA DE CARACTERÍSTICAS	NAMNPLÅT	PIASTRA DI DENOMINAZIONE
NAME STRIP	NAAMPLAATJE	PLAQUE DE FIRME	FIRMENSCHILD	PLACA DE MARCA	NAMNPLÅT	TARGHETTA DI DENOMINAZIONE
NARROW V-BELT	SMALLE V-RIEM	COURROIE EN V ETROITE	SCHMALER KEILRIEMEN	CORREA TRAPEZOIDAL ESTRECHA	SMAL KILREM	CINTURA A V STRETTA
NEEDLE	NAALD	POINTEAU, AIGUILLE	NADEL	AGUJA	NÅL	SPILLO
NEEDLE VALVE	NAALDKLEP	SOUPAPE POINTEAU	NADELVENTIL	VÁLVULA DE AGUJA	NÅLVENTIL	VALVOLA A SPILLO
NIPPLE	NIPPEL	RACCORD, DOUILLE	NIPPEL	NIPLE	NIPPEL	RACCORDO FILETTATO
NON-RETURN VALVE	TERUGSLAGKLEP	CLAPET ANTI-RETOUR	RÜCKSCHLAGVENTIL	VÁLVULA DE RETENCIÓN	BACKVENTIL	VALVOLA DI NON-RITORNO
NORMAL	NORMAAL	NORMAL	NORMAL	NORMAL	NORMAL	NORMALE
NOT USED	NIET GEBRUIKT	NON UTILISE	NICHT GEBRAUCHT	NO USADO	ANVÄNDS EJ	NON IMPIEGATO
NOZZLE	SPUITSTUK	GICLEUR	DÜSE	BOQUILLA	MUNSTYCKE	UGELLO
NOZZLE ELEMENT	ELEMENT SPUITSTUK	ELEMENT GICLEUR	DÜSENELEMENT	ELEMENTO DE LA TOBERA	ELEMENT MUNSTYCKE	ELEMENTO DELL'UGELLO
NUT	MOER	ECROU	MUTTER	TUERCA	MUTTER	DADO
NUT SEAL	AFDICHTING MOER	JOINT D'ECROU	MUTTERABDICHTUNG	SELLO DE TUERCA	MUTTERPÅKNING	TENUTA DEL DADO
NYLON BAND	NYLON RIEM	BANDE EN NYLON	NYLON RIEM	CINTA DE NILÓN	NYLONBAND	INDICATORE DI LIVELLO DELL'OLIO
NYLON TUBE	NYLON BUIS	TUYAU EN NYLON	NYLONROHR	TUBO DE NILÓN	NYLONRÖR	TUBO IN NAILON
O						
O-RING	O-RING	JOINT TORIQUE	O-RING	JUNTA TÓRICA	O-RING	ANELLO O
OIL	OLIE	HUILE	ÖL	ACEITE	OLJA	OLIO
OIL BARREL	OLIEVAT	TONNEAU D'HUILE	ÖLFASS	TUBO DE ACEITE	OLJEFAT	BARILE DI OLIO
OIL CAN	OLIEKAN	BIDON	ÖLKANNE	LATA DE ACEITE	OLJEKANNA	LATTINA DI OLIO
OIL COLLECTOR	OLIEBAK	COLLECTEUR D'HUILE	ÖLBÄHÄLTER	COLECTOR DE ACEITE	OLJESAMLINGSRÖR	COLLETTORE DELL'OLIO
OIL COOLER	OLIEKOELER	REFROIDISSEUR D'HUILE	ÖLKÜHLER	REFRIG. DE ACEITE	OLJEKYLARE	REFRIGERATORE DELL'OLIO
OIL COOLER PLATE	OLIEKOELER	PLAQUE DE REFR. D'HUILE	ÖLKÜHLERPLATTE	PLACA REFRIGERANTE DEL ACEITE	OLJEKYLARPLÅT	HASTRADIRAFREDDAMENTO DELL'OLIO
OIL CUP	OLIEVANGER	GODET D'HUILE	ÖLSCHALE	CUBA DE ACEITE	OLJEFÅNGARE	OLIATORE A TAZZA
OIL DIPSTICK	OLIEPELSTOK	JAUGE A HUILE	ÖLMESSSTAB	VARILLA DE NIVEL	OLJESTICKA	ASTA DI LIVELLO DELL'OLIO
OIL DRAIN	OLIE-AFTAP	VIDANGE, DRAINAGE	ÖLABLASS	DRENAJE DEL ACEITE	OLJEAFTAPNING	SCARICO DELL'OLIO
OIL DRAIN HOSE	OLIE-AFTAPSLANG	TUYAU DE VIDANGE	ÖLABLASSSCHLAUCH	TUBO DE DRENAJE DEL ACEITE	OLJEAFTAPNINGSSLANG	TUBO FLESSIBILE DI SCARICO DELL'OLIO
OIL DRAIN PIPE	OLIEAFTAPLEIDING	TUYAU DE VIDANGE	ÖLABLASSROHR	TUBO DE DRENAJE DE ACEITE	OLJEAFTAPNINGSRÖR	TUBO DI SCARICO DELL'OLIO
OIL FILTER	OLIEFILTER	FILTRE A HUILE	ÖLFILTER	FILTRO DE ACEITE	OLJEFILTER	FILTRO DELL'OLIO
OIL FILTER ELEMENT	OLIEFILTERELEMENT	ELEMENT DE FILTRE A HUILE	ÖLFILTERELEMENT	ELEMENTO DEL FILTRO DE ACEITE	OLJEFILTERELEMENT	ELEMENTO DEL FILTRO DELL'OLIO
OIL LEVEL GAUGE	OLIEPELMETER	JAUGE DE NIVEAU	ÖLSTANDANZEIGER	INDICADOR DE NIVEL	OLJENIVÅMÅTARE	INDICATORE DI LIVELLO DELL'OLIO
OIL MANIFOLD	OLIEVERDEELSTUK	COLLECTEUR A HUILE	ÖLVERTEILER	DISTRIBUIDOR DEL ACEITE	OLJEGRENRÖR	COLLETTORE DELL'OLIO
OIL NOZZLE	OLIESPUITSTUK	GICLEUR D'HUILE	ÖLDÜSE	TOBERA DEL ACEITE	OLJEMUNSTYCKE	UGELLO DELL'OLIO
OIL PIPE	OLIELEIDING	CONDUITE D'HUILE	ÖLROHR	TUBERÍA DEL ACEITE	OLJERÖR	TUBO DELL'OLIO
OIL PRESSURE GAUGE	OLIEDRUKMETER	MANOMETRE PRESSION HUILE	ÖLDRUCKMESSER	ÍNDICE DE PRESIÓN DEL ACEITE	OLJETRYCKMÅTARE	MANOMETRO DELL'OLIO
OIL PRESSURE SENSOR	SENSOR OLIEDRUK	DETECTEUR PRESSION HUILE	ÖLDRUCKSENSOR	SENSOR DE PRESIÓN DEL ACEITE	OLJETRYCKAVKÄNNARE	SENSORE PER LA PRESSIONE DELL'OLIO
OIL PRESSURE SWITCH	OLIEDRUKSCHAKELAAR	INTERR. PRESSION HUILE	ÖLDRUCKSCHALTER	INTERR. DE PRESIÓN DEL ACEITE	OLJETRYCKBRYTARE	PRESSOSTATO DELL'OLIO
OIL PUMP	OLIEPOMP	POMPE A HUILE	ÖLPUMPE	BOMBA DE ACEITE	OLJEPUMP	POMPA DELL'OLIO
OIL PUMP HOUSING	BEHUIZING OLIEPOMP	CORPS POMPE A HUILE	ÖLPUMPENGEHÄUSE	CARSADEL LABORIO DEL ACEITE	OLJEPUMPHUS	ALLOGG DELLA POMPA DELL'OLIO
OIL RESTRICT. VALVE	OLIEDOSEERKLEP	DOSEUR D'HUILE	ÖLDROSSELVENTIL	VÁLV. DOSIFIC. ACEITE	OLJESTRYPPVENTIL	VALVOLA LIMITATRICE DELL'OLIO
OIL SEAL	AFDICHTING	JOINT	ÖLDICHTUNG	OBTURADOR DE ACEITE	TÄTNING	PARAOILIO
OIL SEPARATOR	OLIEAFSCHEIDER	SEPARATEUR D'HUILE	ÖLABSCHIEDER	SEPARADOR ACEITE	OLJEAVSKILJARE	SEPARATORE DELL'OLIO
OIL STOP VALVE	OLIEAFTAPLUITKLEP	CLAPET D'ARRÊT	ÖLABSPERRVENTIL	VÁLV. CIERRE ACEITE	OLJESTOPPVENTIL	VALVOLA DI ARRESTO DELL'OLIO
OIL STRAINER	OLIEZIEF	CREPINE A HUILE	ÖLSIEB	FILTRO DE ACEITE	OLJESIL	FILTRO DELL'OLIO A RETICELLA
OIL SUMP	OLIEPAN	CARTER D'HUILE	ÖLSUMPF	COLECTOR DE ACEITE	OLJESUMP	COPPA DELL'OLIO
OIL TANK	OLJETANK	RESERVOIR D'HUILE	ÖLBÄHÄLTER	DEPÓSITO DE ACEITE	OLJETANK	SERBATOIO DELL'OLIO
OIL VESSEL	OLIEVAT	RECIPIENT D'HUILE	ÖLBÄHÄLTER	RECIPIENTE DEL ACEITE	OLJEBEHÅLLARE	SERBATOIO DELL'OLIO
OIL FILLER NECK	OLIEVULHALS	TUBULURE DE REMP D'HUILE	ÖLEINFÜLLSTUTZEN	EMBUDO LLENADO DE ACEITE	OLJEPÅFYLNINGSHALS	COLLO DEL TUBO DI RIEMP. DELL'OLIO
ON-OFF SWITCH	AAN/UIT SCHAKELAAR	COMMUTATEUR MARCHÉ-ARRÊT	EIN/AUS-SCHALTER	INTERR. DE APAGADO ENCENDIDO	TILL/FRÅNBRYTARE	INTERRUPTORE ON-OFF

ENGLISH	NORSK	DANSK	ΕΛΛΗΝΙΚΑ	PORTUGUÊS	SUOMI
LOWER	NEDRE	NEDRE DEL	ΚΑΤΩ	INFERIOR	ALEMPI
LUBRICATING NIPPLE	SMØRENIPPPEL	SMØRENIPPPEL	ΜΑΣΤΟΣ ΑΙΦΙΑΝΣΗΣ	COPO DE LUBRIFICAÇÃO	VOITELUNIPPA
LUBRICATING OIL	SMØREOLJE	SMØREOLJE	ΕΛΑΙΟ ΑΙΦΙΑΝΣΗΣ	ÓLEO DE LUBRIFICAÇÃO	VOITELUÖLJY
LUBRICATING RING	SMØRERING	SMØRERING	ΑΑΚΤΥΛΙΟΣ ΑΙΦΙΑΝΣΗΣ	ANEL DE LUBRIFICAÇÃO	VOITELURENGAS
LUBRICATOR	SMØRER	SMØREAPPARAT	ΑΙΦΙΑΝΤΗΡΑΣ	LUBRIFICADOR	VOITELULAITE
M					
MAGNETIC CATCH	MAGNETFESTE	MAGNETISK KROG	ΜΑΓΝΗΤΙΚΗ ΑΡΙΑΓΗ	COLECTOR MAGNÉTICO	MAGNEETTISALPA
MAGNETIC PICK-UP	MAGNETISK OPPTAK	MAGNETISK PICKUP	ΜΑΓΝΗΤΙΚΟΣ ΑΝ ΥΨΩΤΗΡΑΣ	CAPTADOR SONORO MAGNÉTICO	MAGNEETTIANTURI
MAGNETIC SENSOR	MAGNETISK SENSOR	MAGNETISK SENSOR	ΜΑΓΝΗΤΙΚΟΣ ΔΙΘΗΤΗΡΑΣ	SENSOR MAGNÉTICO	MAGNEETTIANTURI
MAIN FILTER ELEMENT	HOVEDFILTERELEMENT	HOVEDFILTERELEMENT	ΚΕΝΤΡΙΚΟ ΣΤΟΙΧΕΙΟ ΦΙΑΤΡΟΥ	ELEMENTO DO FILTRO PRINCIPAL	PÄÄSUODATTIMEN PATRUUNA
MAIN SUPPORT	HOVEDSTØTTE	HOVEDSTØTTE	ΚΕΝΤΡΙΚΗ ΣΤΗΡΙΞΗ	APOIO PRINCIPAL	PÄÄTUKI
MAIN SWITCH	HOVEDBRYTER	HOVEDAFBRYDER	ΚΕΝΤΡΙΚΟΣ ΔΙΑΚΟΠΤΗΣ	INTERRUPTOR PRINCIPAL	PÄÄKYTKIN
MALE	HANN	HAN-	ΑΡΣΕΝΙΚΟ	MACHO	KOIRAS-
MALE ADAPTOR	ADAPTER MED UTVENDIGE GIENGER	HAN-ADAPTER	ΑΡΣΕΝΙΚΟΣ ΠΡΟΣΑΡΜΟΓΕΑΣ	ADAPTADOR MACHO	ULKOSOVITIN
MALE CONNECTOR	KOPLING MED UTVENDIGE GIENGER	LIGEFORSKRUNING	ΑΡΣΕΝΙΚΟΣ ΣΥΝΑΕΤΗΡΑΣ	CONECTOR MACHO	PISTOKE
MALE ELBOW	BEND MED UTVENDIGE GIENGER	VINKELFORSKRUNING	ΑΡΣΕΝΙΚΗ ΓΩΝΙΑ	UNIÃO EM COTOVELO PRINCIPAL	ULKOKIERTENEN KULMALITIN
MALE FITTING	RØRDEL MED UTVENDIGE GIENGER	HUN-FITTING	ΑΡΣΕΝΙΚΟ ΕΞΑΡΤΗΜΑ	ACESSÓRIO MACHO	ULKOKIERTENEN LIITIN
MALE ROTOR	SKRUFEROTOR	HANROTOR	ΑΡΣΕΝΙΚΟ ΣΤΡΟΦΕΙΟ	ROTOR MACHO	RUIVUIROOTTORI
MANIFOLD	MANIFOLD	GRENRØR/MANIFOLD	ΠΟΛΛΑΠΛΗ	TUBAGEM	KOKOOMAPUTKI
MANIFOLD BOX	MANIFOLD BOKS	FORGRENNINGSBOKS	ΚΙΒΩΤΙΟ ΠΟΛΛΑΠΛΗΣ	CAIXA DAS TUBAGENS	JAKOPUTKISTO
MANOMETER	MANOMETER	MANOMETER	ΜΑΝΟΜΕΤΡΟ	MANÓMETRO	PAINEMITTARI
MAP	KART	KORT	ΑΠΟΤΥΠΩΣΗ	PLANTA	KARTTA
MARKING	MERKING	AFMÆRKNING	ΔΙΑΚΡΙΤΙΚΟ	MARCAÇÃO	KUVAMERKKI
MARKING TAG	MERKEPLATE	SKILT	ΔΙΑΚΡΙΤΙΚΗ ΤΑΜΠΕΛΑ	ETIQUETA DE MARCAÇÃO	MERKKIKILPI
MAT	MATTE	MÁTTE	ΕΠΕΝΔΥΣΗ	MATERIAL	MATTO
MEMBRANE	MEMBRAN	MEMBRAN	ΜΕΜΒΡΑΝΗ	MEMBRANA	KALVO
MEMBRANE COVER	MEMBRANLOKK	MEMBRANLÅG	ΚΑΛΥΜΜΑ ΜΕΜΒΡΑΝΗΣ	COBERTURA DA MEMBRANA	KALVON KANSI
MID PANEL	MIDTPANEL	MIDTERPANEL	ΜΕΣΑΙΟ ΚΑΛΥΜΜΑ	PAINEL INTERMÉDIO	KESKIPANEELI
MINERAL WOOL	MINERALULL	MINERALULD	ΟΡΥΚΤΟΣ ΒΑΜΒΑΚΑΣ	LÁ MINERAL	MINERAALVILLA
MINIMUM PRESS. VALVE	VENTIL FOR MIN.TRYKK	MINIMUMSTRYKVENTIL	ΒΑΒΛΙΑ ΕΛΑΧΙΣΤΗΣ ΠΙΕΣΗΣ	VÁLVULA DE PRESSÃO MÍNIMA	ALAPAINEMITTARI
MIRROR	SPEIL	SPEIL	ΚΑΘΕΠΤΗΡΗΣ	ESPELHO	PEILI
MODULE	MODUL	MODUL	ΜΟΝΑΔΑ ΣΥΣΤΗΜΑ	MÓDULO	MODUULI
MOISTURE TRAP	PENGEHOLDER	VANDLÅS	ΥΔΑΤΟΔΙΑΓΙΑ	COLECTOR DE HUMIDADE	VEDENEROTIN
MONITORING PLUG	OVERVÅKINGSPLUGG	OVERVÅGNINGSKONTAKT	ΠΙΣΤΑ ΕΛΕΓΧΟΥ	FICHA DE ENSAIO	TARKASTUSAUKON TULPPA
MOTOR	MOTOR	MOTOR	ΚΙΝΗΤΗΡΑΣ, ΗΛΕΚΤΡΟΚΙΝΗΤΗΡΑΣ	MOTOR	MOOTTORI
MOTOR FLANGE	MOTORFLENS	MOTORFLANGE	ΦΛΑΝΤΖΑ ΚΙΝΗΤΗΡΑ	FLANGE DO MOTOR	MOOTTORIN LAIPPA
MOTOR PART	MOTORDEL	MOTORRESERVEDEL/KOMPLEMENT	ΕΞΑΡΤΗΜΑ ΚΙΝΗΤΗΡΑ	PEÇA DE MOTOR	MOOTTORIN OSA
MOTOR SUPPORT	MOTORSTØTTE	MOTORSTØTTE	ΒΑΣΗ ΚΙΝΗΤΗΡΑ	APOIO DO MOTOR	MOOTTORIN TUKI
MOUNT	FESTE	STATIV	ΒΑΣΗ	INSTALAÇÃO	ALUSTA
MOUNTING BAND	FESTEBÅND	MONTAGEBÅND	ΤΑΙΝΙΑ ΤΟΠΟΘΕΤΗΣΗΣ	FAIXA DE MONTAGEM	KIINITYSSIDE
MOUNTING PANEL	FESTEPANEL	MONTERINGSANEL	ΦΥΛΑΟΣΤΗΡΙΞΗ	PAINEL DE MONTAGEM	KIINITYSPANEELE
MOUNTING PLATE	FESTEPLATE	MONTAGEPLADE	ΠΛΑΚΑ ΣΤΗΡΙΞΗΣ	PLACA DE MONTAGEM	KIINITYSLEVY
MOUNTING RAIL	FESTESKINNE	MONTERINGSKINNE	ΡΑΓΑ ΣΤΗΡΙΞΗΣ	CARRIL DE MONTAGEM	KIINITYSKISKO
MOUNTING TOOL	FESTEVERKTØY	MONTAGEVERKTØY	ΕΡΓΑΛΕΙΟ ΤΟΠΟΘΕΤΗΣΗΣ	FERRAMENTA DE MONTAGEM	KIINITYSTYÖKALU
MUD FLAP	SKVETTLAPP	STENKLAP	ΑΔΣΙΩΤΗΡΑΣ	ANTEPARO PARA A LAMA	ROISKELÄPPÄ
MUDGUARD	SKVETTLAPP	STENKSKJERM	ΑΔΣΙΩΤΗΡΑΣ	GUARDALAMAS	ROISKESUOJA
MUFFLER	LYDDEMPER	LYDDÆMPER	ΣΙΓΑΣΤΗΡΑΣ	SILENCIADOR	ÄÄNENVAIMENNIN
N					
NAMEPLATE	NAVNEPLATE	NAVNEPLADE	ΠΙΝΑΚΙΑ ΟΝΟΜΑΣΙΑΣ	PLACA DE IDENTIFICAÇÃO	NIMIKILPI
NAME STRIP	NAVNESKILT	NAVNEBÅND	ΤΑΙΝΙΑ ΟΝΟΜΑΣΙΑΣ	BARRA DE IDENTIFICAÇÃO	NIMILAATTA
NARROW V-BELT	SMAL KILEREM	SMAL KILEREM	ΣΤΕΝΟΣ ΙΜΑΝΤΑΣ V	CORREIADETRANSMISSÃOEMVRETA	KAPEA KIILAHIHNA
NEEDLE	NÅL	NÅL	ΒΕΛΟΝΑ	AGULHA	NEULA
NEEDLE VALVE	NÅLVENTIL	NÅLVENTIL	ΒΕΛΟΝΟΕΙΔΗΣ ΒΑΒΛΙΑ	VÁLVULA DE AGULHA (INJEÇÃO)	NEULAVENTTILI
NIPPLE	NIPPEL	NIPPEL	ΜΑΣΤΟΣ, ΣΤΟΜΙΟ	BOCAL	NIPPA
NON-RETURN VALVE	TILBAKESUGINGSBESKYTTER	KONTRAVENTIL	ΑΝΤΙΠΙΣΤΡΟΦΗ ΒΑΒΛΙΑ	VÁLVULA ANTI RETORNO	TAKAISUVENTTILI
NORMAL	NORMAL	NORMAL	ΦΥΣΙΟΛΟΓΙΚΟ	NOMINAL	NORMAALI
NOT USED	BRUKES IKKE	ANVENDES IKKE	ΜΗ ΧΡΗΣΙΜΟΠΟΙΟΥΜΕΝΟ	NÃO UTILIZADO	EI KÄYTTÖSSÄ
NOZZLE	DYSE	MUNDSTYKKE/DYSE	ΑΚΡΟΦΥΣΙΟ	BOCAL	SUUTIN
NOZZLE ELEMENT	DYSEELEMENT	DYSEELEMENT	ΣΤΟΙΧΕΙΟ ΑΚΡΟΦΥΣΙΟΥ	ELEMENTO DO BOCAL	SUUTINELEMENTTI
NUT	MUTTER	MØTRIK	ΠΕΡΙΚΟΧΑΛΟ, ΠΑΞΙΜΑΔΙ	PORCA	MUTTERI
NUT SEAL	MUTTERTÆTNING	MØTRIKTÆTNING	ΠΕΡΙΚΟΧΑΛΟΣΤΕΓΑΝΩΣΗ	PORCA DE VEDAÇÃO	MUTTERIN TIVISTE
NYLON BAND	NYLONBÅND	NYLONBÅND	ΠΛΑΣΤΙΚΗ ΤΑΙΝΙΑ	FITA DE NILON	NAILONHIHNA
NYLON TUBE	NYLONRØR	NYLONRØR	ΠΛΑΣΤΙΚΟΣ ΣΩΛΗΝΑΣ	TUBO DE NILON	NAILONPUTKI
O					
O-RING	O-RING	O-RING	ΣΤΕΓΑΝΩΤΙΚΟΣ ΑΑΚΤΥΛΙΟΣ, ΑΑΚΤΥΛΙΟΣ Ο	JUNTA TÓRICA	O-RENGAS
OIL	OLJE	OLIE	ΕΛΑΙΟ	ÓLEO	ÖLJY
OIL BARREL	OLJEFAT	OLJETØNDE	ΚΥΛΙΝΔΡΟΣ ΕΛΑΙΟΥ	BARRIL DE ÓLEO	ÖLJYTYYNNYRI
OIL CAN	OLJEKANNE	SMØREKANDE	ΕΛΑΙΟΔΟΧΕΙΟ	LATA DE ÓLEO	ÖLJYKANNU
OIL COLLECTOR	OLJESAMLINGSRØR	OLJESAMLINGSRØR	ΣΥΛΛΕΚΤΗΣ ΕΛΑΙΟΥ	COLECTOR DE ÓLEO	ÖLJYNKERÄÄÄ
OIL COOLER	OLJEKJØLER	OLIEKØLER	ΨΥΚΤΗΣ ΕΛΑΙΟΥ	REFRIGERADOR DE ÓLEO	ÖLJYNLAUDUTIN
OIL COOLER PLATE	OLJEKJØLERPLATE	OLIEKØLERPLADE	ΠΛΑΚΑ ΨΥΚΤΗΣ ΕΛΑΙΟΥ	PLACA DO REFRIGERADOR DE ÓLEO	ÖLJYNLAHDUTINLEVY
OIL CUP	SMØREKOPP	SMØREKOP	ΕΛΑΙΟΔΟΧΕΙΟ	COPO DE LUBRIFICAÇÃO	ÖLJYNKERUUSTASTIA
OIL DIPSTICK	FEILEPINNE	MÅLEPINN	ΠΑΒΛΟΣ ΕΜΒΑΠΤΗΣΕΩΣ ΕΛΑΙΟΥ	VARETA DE NÍVEL DE ÓLEO	ÖLJYN MITTATIKKU
OIL DRAIN	OLJEAFTAPNING	OLJEAFTAPNING	ΑΠΟΣΤΡΑΓΓΙΣΗ ΕΛΑΙΟΥ	PURGA DE ÓLEO	ÖLJYNPOISTO
OIL DRAIN HOSE	OLJEAFTAPNINGSSLANG	OLJEAFTAPNINGSSLANG	ΕΛΑΣΤΙΚΟΣ ΣΩΛΗΝΑΣ ΑΠΟΣΤΡΑΓΓΙΣΗΣ ΕΛΑΙΟΥ	MANGUEIRA DE PURGA DO ÓLEO	ÖLJYNPOISTOLETKU
OIL DRAIN PIPE	OLJEUTLØPSRØR	OLJEAFTAPNINGSSRØR	ΑΓΩΓΟΣ ΑΠΟΣΤΡΑΓΓΙΣΗΣ ΕΛΑΙΟΥ	TUBO DE PURGA DE ÓLEO	ÖLJYNPOISTOPUTKI
OIL FILTER	OLJEFILTER	OLIEFILTER	ΦΙΑΤΡΟ ΕΛΑΙΟΥ	FILTRO DE ÓLEO	ÖLJYNSUODATIN
OIL FILTER ELEMENT	OLJEFILTERELEMENT	OLIEFILTERELEMENT	ΣΤΟΙΧΕΙΟ ΦΙΑΤΡΟ ΕΛΑΙΟΥ	ELEMENTO DE FILTRO DE ÓLEO	ÖLJYNSUODATTIMEN PATRUUNA
OIL LEVEL GAUGE	OLJEMÅLER	OLJEMÅLER	ΜΕΤΡΗΤΗΣ ΕΛΕΓΧΟΥ ΕΛΑΙΟΥ	INDICADOR DO NÍVEL DE ÓLEO	ÖLJYMITTARI
OIL MANIFOLD	OLJEMANIFOLD	OLJEMANIFOLD	ΠΟΛΛΑΠΛΗ ΕΛΑΙΟΥ	TUBAGENS DO ÓLEO	ÖLJYNAKOPUTKI
OIL NOZZLE	OLJEDYSE	OLJEDYSE	ΑΚΡΟΦΥΣΙΟ ΕΛΑΙΟΥ	BOCAL DE ENCHIMENTO DE ÓLEO	ÖLJYSUUTIN
OIL PIPE	OLJERØR	OLIERØR	ΣΩΛΗΝΑΣ ΕΛΑΙΟΥ	TUBO DO ÓLEO	ÖLJYJOHTO
OIL PRESSURE GAUGE	OLJETRYKKMÅLER	OLJETRYKKMÅLER	ΜΕΤΡΗΤΗΣ ΕΛΕΓΧΟΥ ΠΙΕΣΗΣ ΕΛΑΙΟΥ	MANÓMETRO DE ÓLEO	ÖLJYPAINEMITTARI
OIL PRESSURE SENSOR	OLJETRYKSENSOR	OLJETRYKSENSOR	ΔΙΘΗΤΗΡΑΣ ΠΙΕΣΗΣ ΕΛΑΙΟΥ	SENSOR DE PRESSÃO DO ÓLEO	ÖLJYPAINEAANTURI
OIL PRESSURE SWITCH	OLJETRYKKBRYTER	OLJETRYKAFBRYDER	ΔΙΑΚΟΠΤΗΣ ΠΙΕΣΗΣ ΕΛΑΙΟΥ	INTERRUPTOR DE PRESSÃO DO ÓLEO	ÖLJYPAINEKYTKIN
OIL PUMP	OLJEPUMPE	OLJEPUMPE	ΑΝΤΑΙΑ ΕΛΑΙΟΥ	BOMBA DE ÓLEO	ÖLJYPUMPPU
OIL PUMP HOUSING	OLJEPUMPEHUS	OLJEPUMPEHUS	ΚΕΛΥΦΟΣ ΑΝΤΑΙΑΣ ΕΛΑΙΟΥ	CARÇA DA BOMBA DE ÓLEO	ÖLJYPUMPUN KOTILO
OIL RESTRICT. VALVE	OLJESTRYKVENTIL	OLJESTRYKVENTIL	ΠΕΡΙΟΡΙΣΤΙΚΗ ΒΑΒΛΙΑ ΕΛΑΙΟΥ	VÁLVULA DE RESTRIÇÃO DE ÓLEO	ÖLJYNRAJOUSTVENTTILI
OIL SEAL	OLJETÆTNING	OLJETÆTNING	ΣΤΕΓΑΝΩΣΗ ΕΛΑΙΟΥ	JUNTA DE VEDAÇÃO DE ÓLEO	ÖLJYTIVISTE
OIL SEPARATOR	OLJESEPARATOR	OLJESEPARATOR	ΔΙΑΧΩΡΙΣΤΗΡΑΣ ΕΛΑΙΟΥ	SEPARADOR DE ÓLEO	ÖLJYNEROTIN
OIL STOP VALVE	OLJESTOPVENTIL	OLJESTOPVENTIL	ΒΑΒΛΙΑ ΑΝΑΚΟΠΗΣ ΕΛΑΙΟΥ	VÁLVULA RETENTORA DE ÓLEO	ÖLJYNSULKUVENTTILI
OIL STRAINER	OLJEFILTER	OLIEFILTER/SI	ΑΠΟΣΤΡΑΓΓΙΣΤΗΡΑΣ ΕΛΑΙΟΥ	ESTRANGULADOR DE ÓLEO	ÖLJYSIVILÄ
OIL SUMP	BUNNPANNE	OLJESUMP	ΕΛΑΙΟΕΚΑΝΗ, ΑΕΚΑΝΗ, ΑΑΔΑΙΟΥ	CARTER DE ÓLEO	ÖLJYPOHJA
OIL TANK	OLJETANK	OLJETANK	ΔΕΞΑΜΕΝΗ ΕΛΑΙΟΥ	TANQUE DE ÓLEO	ÖLJYSÄILIÖ
OIL VESSEL	OLJEBEHOLDER	OLJEBEHOLDER	ΕΛΑΙΟΕΚΑΝΗ, ΑΕΚΑΝΗ, ΑΑΔΑΙΟΥ	RESERVATÓRIO DE ÓLEO	ÖLJYASTIA

ENGLISH	NEDERLANDS	FRANCAIS	DEUTSCH	ESPAÑOL	SVENSKA	ITALIANO
OPERAT. VALVE	BEDIENINGSKLEP	SOUPAPE DE COMMANDE	BETÄTIGUNGSVENTIL	VÁLV. DE OPERACIÓN	MANÖVERVENTIL	VALVOLA DI FUNZIONAMENTO
ORIFICE	OPENING	ORIFICE	AUSFLUSSÖFFNUNG	ORIFICIO	MYNNING	ORIFIZIO
OUTER CASING	HUIS	CARTER EXTERIEUR	MANTEL	CARCASA EXTERIOR	YTTRE HUS	CORPO ESTERNO
OUTER FLANGE	FLENS	BRIDE EXTERIEURE	AUSSENFLANSCH	BRIDA EXTERIOR	YTTRE FLÄNS	FLANGIA ESTERNA
OUTLET	UITLAAT	SORTIE	AUSLASS	SALIDA	UTLOPP	USCITA
OUTLET CAP	UITLAATHUIS	CHAMBRE REFOULEMENT	AUSLASSKAPPE	TAPÓN DE SALIDA	UTLOPPSKÅPA	COPERCIO DI USCITA
OUTLET DUCT	UITLAATPIJP	TUYAU REFOULEMENT	UTLASSLEITUNG	CONDUCTO DE SALIDA	UTLOPPSKANAL	CONDOTTO DI USCITA
OUTLET MANIFOLD	UITLAATCOLLECTOR	COLLECTEUR REFOULEMENT	AUSLASSKRÜMMER	COLECTOR DE SALIDA	UTLOPPSGRENÖR	COLLETTORE DI USCITA
OUTLET PIPE	UITLAATPIJP	TUYAU REFOULEMENT	AUSLASSROHR	TUBERÍA DE SALIDA	UTLOPPSRÖR	TUBO DI USCITA
OUTLET SOCKET	STOPCONTACT	DOUILLE DE SORTIE	STECKDOSE	ENCHUFE HEMBRA DE SALIDA	UTLOPPSHYLSA	PRESA DI USCITA
OUTPUT TERMINAL	UITGANGSKLEMMENBORD	BORNE SORTIE	AUSGANGANSCHLUSS	TERMINAL DE SALIDA	UTGÅNGSKLÄMMA	TERMINALE DI USCITA
OVERCURRENT RELAY	OVERSTROOMRELAIS	RELAIS DE SURINTENSITE	ÜBERSTROMRELAIS	RELÉ PARA SOBRETENSIÓN	ÖVERSTRÖMSRELÄ	RELÈ DI SOVRACCORRENTE
OVERFLOW VALVE	OVERLOOPKLEP	SOUPAPE, TROP-PLEIN	ÜBERLAUFVENTIL	VÁLV. DE REBOSE	ÖVERSTR.-VENTIL	VALVOLA DI TROPPOPIENO
OVERHAUL KIT	REVISIESET	TROUSSE DE REVISION	ÜBERHOLUNGSSATZ	KIT DE REVISIÓN	RENOVERINGSSATS	KIT DI REVISIONE
OVERLOAD PROTECTION	OVERSTROOM BEVEILIGING	DISIONCTEUR THERMIQUE	ÜBERSTROMSCHUTZ	PROTECCIÓN DE SOBRECARGA	ÖVERSTRÖMSSKYDD	PROTEZIONE DI SOVRACCARICO
OVERLOAD RELAY	OVERSTROOM RELAIS	RELAIS DE SURCHARGE	ÜBERSTROMRELAIS	RELÉ DE SOBRECARGA	ÖVERSTRÖMRELÄ	RELÈ DI SOVRACCARICO
OVERRUN BRAKE	OPLOOPREM	FREIN A INERTIE	AUFLAUFBREMS	FRENO DE SOBREVEL.	PÅSKJUTSBROMS	FRENO AD INERZIA
OVERSPEED DEVICE	TOERENTALBEVEILIGING	DISPOSITIF DE SURCHARGE	ÜBERDREHZAHLEGERÄT	DISP.PARA EXCESO DE VELOCIDAD	RUSNINGSSKYDD	DISPOSITIVO DI CENTRIFUGAZIONE

P

PACKING	PAKKING	JOINT	DICHTUNG	JUNTA	PACKNING	GUARNIZIONE
PAD	KUSSENTJE	TAMPON	KISSEN	ALMOHADILLA	MELLANLÄGG	TAMPONE
PADLOCK HOOK	HANGSLOTHAAK	CADENAS	SCHLOSSHAKEN	GANCHO DE CANDADO	HÄNGLÅSFÄSTE	GANCIO PER LUCCHETTO
PALM GRIP	HANDGREEP	POIGNEE	HANDGRIFF	MORDAZA PALMEADA	HANDGREPP	PRESA PALMATATA
PANEL	PANEEL	PANNEAU	PANEEL	PANEL	PANEL	PANNELLO
PANEL CIRCUIT BREAKER	CIRCUITBREKER PANEEL	INTERRUPTEUR DU TABLEAU	AUSCHALTER AM BEDIENUNGSPULT	CORTA CIRCUITOS DEL PANEL	KRETSBRYTARE PANEEL	INTERRUTTORE AUTOMATICO PANNELLO
PANEL LIGHT	PANEELVERLICHTING	LAMPE DU TABLEAU	LEUCHTE AM BEDIENUNGSPULT	LUZ DEL PANEL	PANELBELYSNING	LUCE PANNELLO
PAPER FILTER ELEMENT	PAPIERFILTERELEMENT	ELEMENT FILTRANT	PAPIERFILTERELEMENT	ELEM. FILTRO DE PAPEL	PAPPERSFILTERELEM.	ELEMENTO FILTRANTE IN CARTA
PARALLEL KEY	SPIE	CLAVETTE PLATE	FLACHKEIL	CHAVETA	PLANKIL	CHIAVETTA PARALLELA
PARALLEL PIN	SPIE	GOUILLE PARALLELE	PARALLELSTIFT	CLAVIA PARALELA	PARALLEL PINNE	SPINA PARALLELA
PARKING BRAKES	PARKEERREMME	FREINS DE PARKING	FESTSTELLBREMSEN	FRENOS DE ESTACIONAMIENTO	PARKERINGSBROMSAR	FRENI DI PARCHEGGIO
PARTITION	TUSSENSCHOT	CLOISON	TRENNWAND	PARTICIÓN	FÖRDELARE	DIVISORIO
PASS BOLT	PASBOUT	BOULON	PASSBOLZEN	PERNO DE PASO	PASSMUTTER	BULLONE DI PASSAGGIO
PATENT PLATE	PATENTPLAATJE	PLAQUE DE BREVETS	PATENTSCHILD	PLACA DE PATENTES	PATENTSKYLT	TARGHETTA BREVETT.
PAWL	PAL	CLIQUET	SPERRKLINKE	RETÉN	SPÄRRHAKE	NOTTOLINO D'ARRESTO
PD FILTER	PD FILTER	FILTRE PD	PD-FILTER	FILTRO DP	PD-FILTER	FILTRO PD
PECHEL TUBE	PECHEL BUIS	TUYAU PECHEL	PECHELROHR	TUBO PECHEL	PECHELRÖR	TUBO PECHEL
PERFORATED PLATE	GEFERFOREERDE PLAAT	PLAQUE PERFOREE	PERFORIERTE PLATTE	PLACA SOPORTE	PERFORERAD PLÅT	PIASTRA PERFORATA
PHASE SEQ. RELAY	FASEVOLGORDESCHAKELAAR	RELAIS SEQ. PHASE	PHASEFOLGERRELAIS	RELÉ DE SECUENCIA DE FASE	SEKVRÉLÅ FAS	RELÈ DI SEQ. PER FASE
PILOT VALVE	STUURKLEP	VALVE PILOTE	STEUERVENTIL	VÁLVULA PILOTO	STYRVENTIL	VALVOLA PILOTA
PIN	PEN	GOUILLE	STIFT	PASADOR	PINNE	SPINA
PIN RETAINER	PENHOUDER	ARRETOIR DE GOUPILLE	STIFTHALTER	RETÉN DE PIVOTE	TAPPHÅLLARE	SPINA DI FERMO
PIPE	PIJP	TUYAU	ROHR	TUBO	RÖR	TUBO
PIPE CAP	PIJPDOP	CAPUCHON DE TUYAU	ROHRKAPPE	TAPA DEL TUBO	RÖRHATT	CAPPELLOTTA DEL TUBO
PIPE CLAMP	PIJPKLEM	COLLIER TUYAU	ROHRSCHELLE	ABRAZADERA DE TUBO	RÖRKLÄMMA	STAFFA DI BLOCCAGGIO TUBI
PIPE CONNECTION	PIJPVERBINDING	RACCORDEMENT À TUYAU	ROHRANSCHLUSS	CONEXIÓN DE TUBERÍA	RÖRANSLUTNING	CONNESSIONE DEL TUBO
PIPE COUPLING	PIJPVERBINDING	RACCORD TUYAU	ROHRVERBINDUNG	MANGUITO	RÖRKOPPLING	MANICOTTO
PIPE ELBOW	PIJP KNIE	COUDE	KNIEROHR	CODO DE TUBERÍA	RÖRKRÖK	GOMITO DEL TUBO
PIPE JOINT	PIJPVERBINDING	JOINT DE TUYAU	ROHRVERBINDUNG	JUNTA PARA TUBERÍA	RÖRANSLUTNING	GIUNTO DEL TUBO
PIPE RADIATOR	RADIATORPIJP	TUYAU DE RADIATEUR	RÖHRENKÜHLER	RADIADOR DE TUBERÍA	RÖRKYLARE	RADIATORE DEL TUBO
PIPE SOCKET	PIJPMOF	DOUILLE	ROHRSTUTZEN	ENCHUFE HEMBRA PARA TUBERÍA	RÖRMUFF	PRESA DEL TUBO
PIPE TEE	T-PIJP	TUYAU EN T	T-STÜCK	CONECTOR EN T PARA TUBOS	T-RÖR	TUBO A "T"
PISTON	ZUIGER	PISTON	KOLBEN	PISTÓN	KOLV	PISTONE
PISTON RING	ZUIGERRING	SEGMENT DE PISTON	KOLBENRING	ARO DE PISTÓN	KOLVRING	FASCIA ELASTICA
PISTON ROD	ZUIGERSTANG	BIELLE DE PISTON	KOLBENSTANGE	VÁSTAGO DE PISTÓN	KOLVSTÅNG	BIELLA, STELO DELLO STANTUFFO
PISTON SEAL	ZUIGERAFDICHTING	JOINT DE PISTON	KOLBENDICHTUNG	SELLO DE PISTÓN	KOLVPAKKNING	TENUTA DELLO STANTUFFO
PISTON VALVE	ZUIGERKLEP	CLAPET DE PISTON	KOLBENSCHIEBER	VÁLVULA DE PISTÓN	KOLVVENTIL	VALVOLA DELLO STANTUFFO
PIVOT	SCHARNIER	PIVOT	ACHSZAPFEN	PIVOTE	TAPP	PUNTO DI TESTA
PIVOT PIN	DRAAIPIEN	GOUILLE DE PIVOTEMENT	DREHBOLZEN	PIVOTE	LEDTAPP	PERNO DI ARTICOLAZIONE
PLAIN BEARING	LAGERMOF	PALIER LISSE	GLEITLAGER	COJINETE LISO	GLIDLAGER	CUSCINETTO LISCIO
PLAIN WASHER	VLAKKE PAKKINGRING	RONDELLE LISSE	BLANKE SCHEIBE	ARANDELA PLANA	PLAN MUTTERBRICKA	RONDELLA SEMPLICE
PLASTIC BAG	PLASTIC ZAK	SAC EN PLASTIQUE	PLASTIKBEUTEL	BOLSA DE PLÁSTICO	PLASTPÅSE	SACCO IN PLASTICA
PLASTIC COVER	PLASTIC DEKSEL	COUVERTURE EN PLASTIQUE	KUNSTSTOFFABDECKUNG	CUBIERTA DE PLÁSTICO	PLASTHUV	COPERCIO IN PLASTICA
PLASTIC HOSE	PLASTIC SLANG	FLEXIBLE EN PLASTIQUE	KUNSTSTOFFSCHLAUCH	TUBO DE PLÁSTICO	PLASTSLANG	TUBO FLESSIBILE IN PLASTICA
PLASTIC SCREW	PLASTIC SCHROEF	VIS EN PLASTIQUE	KUNSTSTOFFSCHRAUBE	TORNILLO DE PLÁSTICO	PLASTSKRUV	VITE IN PLASTICA
PLASTIC TUBE	PLASTIC BUIS	TUYAU EN PLASTIQUE	KUNSTSTOFFROHR	TUBO DE PLÁSTICO	PLASTRÖR	TUBO IN PLASTICA
PLASTIC WASHER	PLASTIC PAKKINGRING	RONDELLE EN PLASTIQUE	KUNSTSTOFFSCHEIBE	ARANDELA DE PLÁSTICO	PLASTBRICKA	RONDELLA IN PLASTICA
PLATE	PLAAT	PLAQUE	PLATTE	PLACA	PLÅT	PIASTRA
PLATE WARNING	WAARSCHUWINGSPLAAT	PLAQUE D'AVERTISSEMENT	WARNTUNGSSCHILD	PLACA DE ATENCIÓN	PLÅTVARNING	AVVISO SU PIASTRA
PLEXIGLAS DOOR	PLEXIGLAS DEUR	PORTE EN PLEXIGLAS	TÜR AUS PLEXIGLAS	PUERTA DE PLEXIGLÁS	DÖRR AV PLEXIGLAS	PORTA IN PLEXIGLAS
PLUG	PLUG	BOUCHON	STOPFEN	TAPÓN	TAPP	TAPPO
PLUG CONTACT	CONTACTSTOP	CONTACT	STECKKONTAKT	CONTACTO DE ENCHUFE	PLUGGKONTAKT	CONTATTO A SPINA
PLUG SCREW	SCHROEFPLUG	VIS A CHEVILLE	STECKBOLZEN	TORNILLO DE ENCHUFE	PLUGGSKRUV	VITE A MASCHIO
PLUNGER	PLUNGER	PLONGEUR	PLUNGER	EMBOLO	PLUNGE	PISTONE
PNEUMATIC BRAKES	SERVOREMME	FREINS PNEUMATIQUES	DRUCKLUFTBREMSEN	SERVOFRENOS	PNEUM. BROMSAR	FRENI PNEUMATICI
PNEUMATIC VALVE	PNEUMATISCHE KLEP	SOUPAPE PNEUMATIQUE	DRUCKLUFTBETÄTIGTES VENTIL	VÁLVULA NEUMÁTICA	PNEUMATIKVENTIL	VALVOLA PNEUMATICA
POINTER	WIJZER	AIGUILLE	ZEIGER	PUNTERO	VISARE	INDICATORE
POLE	DISSEL	BARRE	DEICHSEL	LANZA	STÅNG	POLO
POPPET VALVE	SCHOTELKLEP	SOUPAPE FERM. RAPIDE	AUF- UND ABGEBENDES VENTIL	VÁLVULA ACCIONADA POR LEVA	TALLRIKSVENTIL	VALVOLA A FUNGO
POTENTIOMETER	POTENTIOMETER	POTENTIOMETRE	POTENTIOMETER	POTENCIÓMETRO	POTENTIOMETER	POTENZIOMETRO
PREFILTER	VOORFILTER	PREFILTRE	VORFILTER	FILTRO	FÖRFILTER	FILTRATO
PREHEAT BOX	VOORVERWARMER	BOITE PRECHAUFFAGE	VORWÄRMBEHÄLTER	CAJA DE PRECALENTAMIENTO	FÖRVÄRMNINGSLÅDA	SCATOLA DI PRERISCALDAMENTO
PREHEAT LAMP	LAMP VOORVERWARMING	LAMPE DE PRECHAUFFAGE	VORWÄRMLAMPE	LÁMPARA DE PRECALENTAM.	FÖRVÄRMNINGSLAMPA	LAMPADA DI PRERISCALDAMENTO
PREHEAT PLUG	GLOEIPUG	BOUCHON PRECHAUFFAGE	VORWÄRMSTECKER	ENCHUFE DE PRECALENTAMIENTO	FÖRVÄRMNINGSPROPP	TAPPO PER PRERISCALDAMENTO
PREHEATER	VOORVERWARMING	PRECHAUFFAGE	VORWÄRMENRICHTUNG	PRECALENTADOR	FÖRVÄRMARE	PRERISCALDATORE
PRESS. DIFF. INDICATION	DRUKVERSCHILMETER	INDIC. DIFFERENCE PRESS.	DRUCKDIFF.-ANZ.	IND. DIFER. PRESIÓN	TRYCKSK.-MÅT.	INDICAZIONE DIFF. DI PRESSIONE
PRESS. DIFF. SWITCH	DRUKVERSCHILSCHAKELAAR	INTERR. DIFFERENCE PRESS.	DRUCKROHRVERSCHLUSS	TAPA DE PRESIÓN	TRYCKSKILLNADSBRYTARE	CAPPELLO DI PRESSIONE
PRESSURE CAP	DRUKDEKSEL	CAPUCHON DE PRESSION	SCHALTER FÜR DRUCKUNTERSCHIED	INTERR. DIFERENCIAL DE PRESIÓN	TRYCKLOCK	INTERR. DIFFERENZIALE DI PRESSIONE
PRESSURE GAUGE	MANOMETER	MANOMETRE	MANOMETER	MANÓMETRO	MANOMETER	MANOMETRO
PRESSURE REDUCER	DRUKVERLAGER	REDUCTEUR DE PRESSION	DRUCKMINDERER	REDUCTOR DE PRESIÓN	TRYCKREGULATOR	RIDUTTORE DI PRESSIONE
PRESSURE SCREW	DRUKSCHROEF	VIS DE PRESSION	DRUCKSCHRAUBE	TORNILLO DE PRESIÓN	TRYCKSKRUV	VITE DI PRESSIONE
PRESSURE SENSOR	DRUKVOELER	DETECTEUR DE PRESSION	DRUCKFÜHLER	SENSOR DE PRESIÓN	TRYCKGIVARE	SENSORE DI PRESSIONE
PRESSURE SWITCH	DRUKSCHAKELAAR	PRESSOSTAT	DRUCKSCHALTER	PRESOSTATO	TRYCKSTÄLLARE	PRESSOSTATO
PRESSURE TRANSDUCER	DRUKOPNEMER	TRANSDUCTEUR DE PRESSION	DRUCKGEBER	TRANSDUCTOR DE PRESIÓN	TRYCKOMVANDLARE	TRASDUTTORE DI PRESSIONE
PRESSURE TRANSMITTER	DRUKZENDER	EMETTEUR DE PRESSION	DRUCKÜBERTRAGER	TRANSMISOR DE PRESIÓN	TRYCKGIVARE	TRASMETTITORE DI PRESSIONE
PRESSURE TUBE	DRUKBUIS	TUYAU A PRESSION	DRUCKLEITUNG	TUBO DE PRESIÓN	TRYCKRÖR	TUBO DI PRESSIONE
PRESSURE VALVE	DRUKKLEP	SOUPAPE DE PRESSION	DRUCKVENTIL	VÁLVULA DE PRESIÓN	TRYCKVENTIL	VALVOLA DI PRESSIONE
PRESSURE VESSEL	DRUKKETEEL	MONTÉJUS	DRUCKBEHÄLTER	RECIPIENTE DE PRESIÓN	TRYCKBEHÅLLARE	VASO DI PRESSIONE
PRINTED MATTER (PM)	DRUKWERK	IMPRIME	DRUCKSACHE	IMPRESOS (PM)	TRYCKSAK	STAMPATI

ENGLISH	NORSK	DANSK	ΕΛΛΗΝΙΚΑ	PORTUGUÊS	SUOMI
OILFILLER NECK	OLJEPÅFYLLINGSSTUSS	OLJEPÅFYLLNINGSHALS	ΛΑΙΜΟΣ ΠΑΡΗΣΣΗΣ ΕΛΑΙΟΥ	BOCAL DE ENCHIMENTO DE ÓLEO	ÖLJYNTÄYTTÖAUUKKO
ON-OFF SWITCH	PÅ-AV BRYTER	TÆND-SLUK KONTAKT	ΛΙΑΚΟΠΗΤΗΣ ΔΕΙΤΟ ΥΠΗΛΙΑΣ	INTERRUPTOR DE LIGAR-DESLIGAR	ON-EK-KYTKIN
OPERAT. VALVE	DRIFTSVENTIL	MANØVREVENTIL	ΒΑΛΒΙΔΑ ΧΕΙΡΕΜΟΥ	VÁLVULA DE OPERAÇÃO	OHJAUVENTTIILI
ORIFICE	BLENDETILKOPLING	BLLENDE	ΣΤΟΜΙΟ	ORIFÍCIO	AUKKO
OUTER CASING	YTTERHUS	KAPPE	ΕΞΩΤΕΡΙΚΟ ΚΕΛΥΦΟΣ	CAIXA EXTERNA	ULKOKOTELO
OUTER FLANGE	YTTERFLÈNS	YDERFLANGE	ΕΞΩΤΕΡΙΚΗ ΦΑΝΤΖΑ	FLANGE EXTERNA	ULKOLAIPPA
OUTLET	UTLØP	UDLØB	ΕΞΟΔΟΣ, ΕΞΑΓΩΓΗ	SAÍDA	POISTO
OUTLET CAP	UTLØPSHETTE	UDLØBSHETTE	ΚΑΠΑΚΙ ΕΞΟΔΟΥ	TAMPA DA SAÍDA	POISTOAUUKON KANSI
OUTLET DUCT	UTLØPSKANAL	UDLØBSKANAL	ΔΙΩΓΟΣ ΕΞΑΓΩΓΗΣ	CANAL DE DESCARGA	PAKOPUTKI
OUTLET MANIFOLD	UTLØPSMANIFOLD	UDLØBSMANSRØR	ΠΟΛΛΑΠΛΗ ΕΞΑΓΩΓΗΣ	TUBAGEM DE SAÍDA	POISTOJOLEN JAKOPUTKISTO
OUTLET PIPE	UTLØPSRØR	UDLØBSRØR	ΣΩΛΗΝΑΣ ΕΞΑΓΩΓΗΣ	TUBO DE DESCARGA	PAKOPUTKI
OUTLET SOCKET	UTLØPSHYLSE	STIKKONTAKT	ΥΠΟΔΟΧΗ ΕΞΑΓΩΓΗΣ	MANCAL DE DESCARGA	PISTORASIA
OUTPUT TERMINAL	UTGANGSTERMINAL	UDGANGSTERMINAL	ΑΚΡΟΔΕΚΤΗΣ ΕΞΟΔΟΥ	TERMINAL DE SAÍDA	ANTOLIITIN
OVERCURRENT RELAY	OVERSTRØMSRELÉ	OVERSTRØMSRELÆ	ΡΕΛΕ ΥΠΕΡΡΟΗΣ ΡΕΥΜΑΤΟΣ	RELÉ DE SOBRECARGA	YLIVIRKATELE
OVERFLOW VALVE	OVERLØPSVENTIL	OVERLØBSVENTIL	ΒΑΛΒΙΔΑ ΥΠΕΡΧΕΙΑΣΗΣ	VÁLVULA DE EXCESSO	YLIVUOTOVENTTIILI
OVERHAUL KIT	REPARASJONSSETT	HOVEDREPARATIONSSET	ΣΥΝΘΑΟ ΕΞΑΡΤΗΜΑΤΩΝ ΓΕΝΙΚΗΣ ΕΠΙΣΚΕΨΗΣ	JOGO DE REVISÃO	KORJAUSARJA
OVERLOAD PROTECTION	OVERLASTVERN	OVERBELASTNINGSBESKYTTELSE	ΠΡΟΣΤΑΣΙΑ ΥΠΕΡΦΟΡΤΩΣΗΣ	PROTECÇÃO DE SOBRECARGA	YLIVIRKASUOJA
OVERLOAD RELAY	OVERSTRØMSRELÉ	OVERBELASTNINGSRELÆ	ΡΕΛΕ ΥΠΕΡΦΟΡΤΩΣΗΣ	RELÉ DE SOBRECARGA	YLIVIRKATELE
OVERRUN BRAKE	TILHÆNGERBREMS	PÅLØBSBREMSE	ΦΡΕΝΟ ΥΠΕΡΒΑΣΗΣ	TRAVÃO DE EXCESSO DE ROTAÇÕES	TÖRMÄYSJARRU
OVERSPEED DEVICE	RUSINGSVERN	OVERHASTIGHEDSANORDNING	ΣΥΣΤΗΜΑ ΥΠΕΡΕΠΙΤΑΧΥΝΣΗΣ	DISPOSITIVO LIMITADOR DE VELOCIDADE	KIERROSLUVUN RAJOITIN

P					
PACKING	PAKNING	PAKNING	ΣΥΣΚΕΥΑΣΙΑ, ΣΤΥΠΗΘΑΠΗΤΗΣ	VEDANTE	TIIVISTE
PAD	SKIVE	MELLEMLÆGSPLADE	ΒΑΣΗ	ALMOFADA	PEHMIKE
PADLOCK HOOK	HÆNGELÅSHEKTE	KROG TIL HÆNGELÅS	ΓΑΝΤΖΟΣ ΛΟΥΚΕΤΟΥ	GANCHO DE CADEADO	RIIPULUKON KIINNIKE
PALM GRIP	HÅNDTAG	HÅNDTAG	ΧΕΙΡΟΛΑΒΗ	ALÇA DE PALMA	KAHVA
PANEL	PANEL	PANEL	ΦΥΛΑΟ, ΚΑΛΥΜΜΑ, ΠΙΝΑΚΑΣ	PAINEL	PANEELI
PANEL CIRCUIT BREAKER	PANELKRETSBRYTER	PANELRELE	ΑΣΦΑΛΕΙΟΜΙΑΚΟΠΗΤΗΣ ΠΙΝΑΚΑ	PAINEL DO DISJUNTOR	PANEELIN VIRIRANKAKAISIN
PANELLIGHT	PANELLYS	PANELLYS	ΦΩΣ ΠΙΝΑΚΑ	LUZES DO PAINEL	TAULUN VALAISTUS
PAPER FILTER ELEMENT	PAPIRFILTERELEMENT	PAPIRSFILTERELEMENT	ΧΑΡΤΙΝΟ ΣΤΟΙΧΕΙΟ ΦΙΛΤΡΟΥ	ELEMENTO DO FILTRO DE PAPEL	PAPERISUODATINPATRUUNA
PARALLEL KEY	PARALLELKLE	PLANKILE	ΠΑΡΑΛΛΗΛΟ ΚΛΕΙΑ	CHAVETA	TASOKIILA
PARALLEL PIN	PARALLEL PINNE	PARALLELSTIFT	ΠΑΡΑΛΛΗΛΟΣ ΠΙΠΕΡΟΣ	PINO LIGADO EM PARALELO	TASOKIILA
PARKING BRAKES	PARKERINGSBREMSE	PARKERINGSBREMSE	ΦΡΕΝΑ ΣΤΑΘΜΕΥΣΗΣ	TRAVÕES DE ESTACIONAMENTO	SEISONTAJARRUT
PARTITION	DELING	DELING	ΧΩΡΕΜΑ	DIVISÓRIA	VÄLISEINÄ
PASS BOLT	TVERRBOLT	TVÆRBOLT	ΚΟΧΛΙΑΣ	PARAFUSO DE PASSAGEM	SOVITERUUVI
PATENT PLATE	PATENTPLATE	PATENTPLADE	ΠΙΝΑΚΙΑΔΑ ΕΥΡΕΣΙΤΕΧΝΙΑΣ	PLACA DE PATENTE	PATENTTIKILPI
PAWL	PATENTPLATE	PAL	ΚΑΣΤΑΝΙΑ	CATRACA	SULKUHAACA
PD FILTER	PD-FILTER	PD-FILTER	ΦΙΛΤΡΟ ΡD	FILTRO PD	PD-SUODATIN
PECHEL TUBE	PECHEL-RØR	PECHEL-RØR	ΣΩΛΗΝΑΣ PECHHEL	TUBO PECHHEL	PUTKI
PERFORATED PLATE	PERFORERT PLATE	PERFORERET PLADE	ΨΥΧΟΜΕΝΗ ΠΛΑΚΑ	PLACA PERFURADA	REITITETTY LEVY
PHASE SEQ.RELAY	FASE-SEKVENRELÉ	FASE-SEKVENRELÆ	ΡΕΛΕ ΕΝΑΛΛΑΓΗΣ ΦΑΣΕΩΝ	RELÉ DE SEQUÊNCIA DE FASE	VAIHEJÄRJESTYSRELE
PILOT VALVE	STYREVENTIL	STYREVENTIL	ΒΑΛΒΙΔΑ ΟΗΓΗΣ	VÁLVULA PILOTO	OHJAUVENTTIILI
PIN	PINNE	TAP	ΠΕΡΟΝΗ	PINO	TAPPI
PIN RETAINER	LÅSEPINNE	TAPHOLDER	ΠΕΡΟΝΗ ΣΥΓΚΡΑΤΗΣΗΣ	RETENTOR DO PINO	TAPIN PIDIN
PIPE	RØRBOY	RØR	ΣΩΛΗΝΑΣ	TUBO	PUTKI
PIPE CAP	RØRHETTE	RØRHETTE	ΚΑΠΑΚΙ ΣΩΛΗΝΑ	TAMPA DO TUBO	PUTKEN SUOJATULPPA
PIPE CLAMP	RØRKLEMME	RØRKLEMME	ΣΦΙΚΤΗΡΑΣ ΣΩΛΗΝΑ	BRAÇADEIRA DE TUBO	PUTKIPURISTIN
PIPE CONNECTION	RØRKOPLING	RØRFORBINDELSE	ΣΥΝΔΕΣΗ ΣΩΛΗΝΑ	LIGAÇÃO DE TUBOS	PUTKILIITOS
PIPE COUPLING	RØRKOPLING	RØRSAMLING	ΣΥΝΔΕΣΜΟΣ ΣΩΛΗΝΑ	UNIÃO DE TUBOS	PUTKILIITIN
PIPE ELBOW	RØRKNE	KNÆRØR	ΓΩΝΙΑ ΣΩΛΗΝΑ	TUBO EM COTOVELO	POLVIPUTKI
PIPE JOINT	RØRSKJØT	RØRSAMLING	ΣΥΝΔΕΣΜΟΣ ΣΩΛΗΝΑ	JUNTA DE TUBO	PUTKILIITOS
PIPE RADIATOR	RØRRADIATOR	RØRRADIATOR	ΣΩΛΗΝΑΣ ΨΥΓΓΕΙΟΥ	TUBO DO RADIADOR	JÄÄHDYTTINPUTKI
PIPE SOCKET	RØRHYLSE	RØRHYLSE	ΥΠΟΔΟΧΗ ΣΩΛΗΝΑ	BASE DO TUBO	PUTKEN MUHVI
PIPE TEE	T-KOPLING	T-STYKKE	ΣΩΛΗΝΑΣ T	TUBO EM FORMA DE T	T-PUTKI
PISTON	STEMPEL	STEMPEL	ΕΜΒΟΛΟ, ΠΙΣΤΟΝΙ	ÊMBOLO	MÄNTÄ
PISTON RING	STEMPELRING	STEMPELRING	ΔΑΚΤΥΛΙΟΣ ΕΜΒΟΛΟΥ	SEGMENTO	MÄNNÄNRENGAS
PISTON ROD	STEMPELSTANG	STEMPELSTANG	ΒΑΚΤΡΟ ΕΜΒΟΛΟΥ	BIELA	KIERKOKANKI
PISTON SEAL	STEMPELËTNING	STEMPELËTNING	ΣΤΥΠΗΘΑΠΗΤΗΣ ΕΜΒΟΛΟΥ	JUNTA DE VEDAÇÃO DO ÊMBOLO	MÄNNÄN TIIVISTE
PISTON VALVE	STEMPELVENTIL	STEMPELVENTIL	ΒΑΛΒΙΔΑ ΕΜΒΟΛΟΥ	VÁLVULA DISTRIBUIDORA CILÍNDRICA	MÄNTÄVENTTIILI
PIVOT	LEDD	TAP	ΑΞΟΝΙΚΟΣ	EIXO FIXO	SARANA
PIVOT PIN	LEDDTAPP	DREJETAP	ΠΙΠΕΡΟΣ ΕΜΒΟΛΟΥ	PINO ARTICULADO	NIVELTAPPI
PLAIN BEARING	GLIDELÅGER	ENKELT LÆJE	ΕΠΙΠΕΔΟ ΕΛΑΝΟ	CHUMACEIRA SIMPLES	LIUKULAAKERI
PLAIN WASHER	RUND SKIVE	PLAN UNDERLAGSSKIVE	ΑΠΛΗ ΡΟΔΕΑ	ANILHA SIMPLES	PYÖREÄ ALUSLAATTA
PLASTIC BAG	PLASTPOSE	PLASTPOSE	ΠΛΑΣΤΙΚΗ ΣΑΚΟΥΥΑ	SACO DE PLÁSTICO	MUOVIPUSSI
PLASTIC COVER	PLASTLOKK	PLASTLÅG	ΠΛΑΣΤΙΚΟ ΚΑΛΥΜΜΑ	COBERTURA PLÁSTICA	MUOVIKANSI
PLASTIC HOSE	PLASTSLANGE	PLASTSLANGE	ΠΛΑΣΤΙΚΟΣ ΕΛΑΣΤΙΚΟΣ ΣΩΛΗΝΑΣ	MANGUEIRA DE PLÁSTICO	MUOVILETKU
PLASTIC SCREW	PLASTSKRUE	PLASTSKRUE	ΠΛΑΣΤΙΚΗ ΒΙΛΑ	PARAFUSO DE PLÁSTICO	MUOVIRUUVI
PLASTIC TUBE	PLASTRØR	PLASTRØR	ΠΛΑΣΤΙΚΟΣ ΣΩΛΗΝΑΣ	TUBO DE PLÁSTICO	MUOVIPUTKI
PLASTIC WASHER	PLASTSKIVE	PLASTSKIVE	ΠΛΑΣΤΙΚΗ ΡΟΔΕΑ	ANILHA DE PLÁSTICO	MUOVINEN ALUSLAATTA
PLATE	PLATE	PLADE	ΠΛΑΚΑ	PLACA	LEVY
PLATE WARNING	VARSSELPLATE	ADVARSELSPLADE	ΠΡΟΕΙΔΟΠΟΙΗΤΙΚΗ ΠΙΝΑΚΙΑ	PLACA DE AVISO	VAROITUSKILPI
PLEXIGLAS DOOR	PLEKSIGLASSDØR	PLEXIGLASSDØR	ΠΟΡΤΑ ΠΛΑΣΤΗΚΑΑΣ	PORTA EM VIDRO PLASTIFICADO	PLEKSILASINEN OVI
PLUG	PLUGG	PROP	ΒΥΣΜΑ	TOMADA / FICHA	TULPPA
PLUG CONTACT	PLUGGKONTAKT	STIKKONTAKT	ΠΩΜΑ ΕΠΑΦΗΣ	CONTACTO ROSCADO	PISTOKOSKETIN
PLUG SCREW	PLUGGSKRUE	SKRUEPROP	ΠΩΜΑ ΚΟΧΛΙΑ	PARAFUSO-TAMPÃO	RUUVITULPPA
PLUNGER	STEMPEL	PUMPESTEMPEL	ΕΜΒΟΛΟΦΟΡΑ ΑΝΤΑΙΑ	ÊMBOLO	MÄNTÄ
PNEUMATIC BRAKES	PNEUMATISKE BREMSER	TRYKLUFTBREMSE	ΗΝΕΥΜΑΤΙΚΑ ΦΡΕΝΑ	TRAVÕES PNEUMÁTICOS	PAINELMAJARRUT
PNEUMATIC VALVE	PNEUMATISK VENTIL	PNEUMATISK VENTIL	ΗΝΕΥΜΑΤΙΚΗ ΒΑΛΒΙΔΑ	VÁLVULA PNEUMÁTICA	PAINELMAVENTTIILI
POINTER	VISER	VISER	ΔΕΙΚΤΗΣ	PONTEIRO INDICADOR	OSOITIN
POLE	STANG	STANG	ΠΟΛΟΣ	PÓLO	TUKITANKO
POPPET VALVE	SETEVENTIL	LØFTEVENTIL	ΒΑΛΒΙΔΑ ΔΙΑΝΟΜΗΣ	VÁLVULA DE GATILHO	LAUTASVENTTIILI
POTENTIOMETER	POTENSJOMETER	POTENSJOMETER	ΠΟΤΕΝΣΙΟΜΕΤΡΟ	POTENCIÓMETRO	POTENTIOMETRI
PREFILTER	FORFILTER	FORFILTER	ΠΡΟΦΙΛΤΡΟ	PRÉ-FILTRO	ESISUODATIN
PREHEAT BOX	FORVARMERBOKS	FORVARMERBOKS	ΚΙΒΩΤΙΟ ΠΡΟΘΕΡΜΑΝΤΗΡΑ	CAIXA DE PRÉ-AQUECIMENTO	ESILÄMMITIN
PREHEAT LAMP	FORVARMERLAMPE	FORVARMERLAMPE	ΛΥΧΝΙΑ ΠΡΟΘΕΡΜΑΝΣΗΣ	LÂMPADA DE PRÉ-AQUECIMENTO	HEHKUTUKSEN MERKKIVALO
PREHEAT PLUG	FORVARMERPLUGG	FORVARMERSTIK	ΣΤΟΙΧΕΙΟ ΠΡΟΘΕΡΜΑΝΤΗΡΑ	TOMADA DE PRÉ-AQUECIMENTO	HEHKUTULPPA
PREHEATER	FORVARMER	FORVARMER	ΠΡΟΘΕΡΜΑΝΤΗΡΑΣ	PRÉ-AQUECEDOR	ESILÄMMITYS
PRESS. DIFF. INDICATION	TRYKKHETTE	TRYKFORSKELSMÅLER	ΔΕΙΚΤΗΣ ΔΙΑΦΟΡΑΣ ΠΙΕΣΗΣ	TAMPA DE PRESSÃO	PAINNE-EROMITTARI
PRESS. DIFF. SWITCH	TRYKKDIFFMÅLER	TRYKFORSKELSAFBRYDER	ΔΙΑΦΟΡΙΚΟΣ ΔΙΑΚΟΠΗΤΗΣ ΠΙΕΣΗΣ	MANÓMETRO DIFERENCIAL	PAINNE-EROKYTKIN
PRESSURE CAP	TRYKKFORSKJELLBRYTER	TRYKHÆTTE	ΚΑΠΑΚΙ ΠΙΕΣΗΣ	INTERRUPTOR DE DIFERENCIAL DE PRESSÃO	PAINNEKANSI
PRESSURE GAUGE	MANOMETER	TRYKMÅLER	ΜΕΤΡΗΤΗΣ ΕΛΕΓΧΟΥ ΠΙΕΣΗΣ	MANÓMETRO DE PRESSÃO	PAINNEMITTARI
PRESSURE REDUCER	TRYKKREDUKSJON	TRYKKREGULATOR	ΜΕΙΩΤΗΣ ΠΙΕΣΗΣ	REDUTOR DE PRESSÃO	PAINNEALANVENTTIILI
PRESSURE SCREW	TRYKKSKRUE	TRYKSKRUE	ΚΟΧΛΙΑΣ ΠΙΕΣΗΣ	PARAFUSO DE PRESSÃO	PAINNERUUVI
PRESSURE SENSOR	TRYKKFØLER	TRYKFØLER	ΑΙΣΘΗΤΗΡΑΣ ΠΙΕΣΗΣ	SENSOR DE PRESSÃO	PAINNEANTURI
PRESSURE SWITCH	TRYKKBRYTER	TRYKAFBRYDER	ΔΙΑΚΟΠΗΤΗΣ ΠΙΕΣΗΣ	INTERRUPTOR DE PRESSÃO	PAINKEYTKIN
PRESSURE TRANSDUCER	TRYKKOVERFØRER	TRYKTRANSDUCER	ΜΕΤΑΛΛΑΚΤΗΣ ΠΙΕΣΗΣ	TRANSDUTOR DE PRESSÃO	PAINNEANTURI
PRESSURE TRANSMITTER	TRYKKGIVER	TRYKTRANSMITTER	ΜΕΤΑΔΟΤΗΣ ΠΙΕΣΗΣ	TRANSMISSOR DE PRESSÃO	PAINELÄHETIN
PRESSURE TUBE	TRYKKRØR	TRYKRØR	ΣΩΛΗΝΑΣ ΠΙΕΣΗΣ	TUBO DE PRESSÃO	PAINNEPUTKI
PRESSURE VALVE	TRYKKVENTIL	TRYKVENTIL	ΒΑΛΒΙΔΑ ΠΙΕΣΗΣ	VÁLVULA DE PRESSÃO	PAINKEYTKIN

ENGLISH	NEDERLANDS	FRANCAIS	DEUTSCH	ESPAÑOL	SVENSKA	ITALIANO
PROFILE	PROFIEL	PROFIL	PROFIL	PERFIL	PROFIL	PROFILO
PROGRAMMER	PROGRAMMEUR	PROGRAMMATEUR	PROGRAMMIERER	PROGRAMADOR	PROGRAMMERARE	PROGRAMMATORE
PROTECTION	BESCHERMSTUK	PROTECTION	SCHUTZ	PROTECCIÓN	SKYDD	PROTEZIONE
PROTECTION CAP	BESCHERMKAP	CAPUCHON DE PROTECTION	SCHUTZKAPPE	TAPA DE PROTECCIÓN	SKYDSDLOCK	TAPPO DI PROTEZIONE
PROTECTION COLLAR	BESCHERMKRAAG	COLLIER DE PROTECTION	SCHUTZKRAGEN	COLLAR DE PROTECCIÓN	SKYDSDSKRAGE	COLLARE DI PROTEZIONE
PROTECTION PLATE	BESCHERMPLAAT	PLAQUE DE PROTECTION	SCHUTZPLATTE	PLACA DE PROTECCIÓN	SKYDSDPLÁT	PIASTRA DI PROTEZIONE
PROTECTION PLUG	BESCHERMPLUG	BOUCHON DE PROTECTION	SCHUTZKONTAKTSTECKER	ENCHUFE DE PROTECCIÓN	SKYDSDPLUGG	TAPPO DI PROTEZIONE
PROXIMITY SENSOR	NADERINGSVOELER	DETECTEUR DE PROXIMITE	NÄHERUNGSFÜHLER	SENSOR DE PROXIMIDAD	AVKÄNNARE	SENSORE DI PROSSIMITÀ
PROXIMITY SWITCH	NADERINGSSCHAKELAAR	INTERRUPTEUR DE PROXIMITE	NÄHERUNGSSCHALTER	INTERRUPTOR DE PROXIMIDAD	BERÖRINGSFRI BRYT.	INTERRUTTORE DI PROSSIMITÀ
PULLEY	RIEMSCHIJF	POULIE	RIEMENSCHIEBE	POLEA	REMSKIVA	PULLEGIA
PULLEY SHAFT	AS V. RIEMSCHIJF	ARBRE DE POULIE	WELLE FÜR RIEMENSCHIEBE	ESTATOR DE LA POLEA	AXEL REMSKIVA	ALBERO DELLA PULLEGIA
PULLROD	TREKSTANG	TIGE	ZUGSTANGE	BARRA DE TRACCIÓN	DRAGSTÅNG	STELO DI TRAZIONE
PULSATION DAMPER	DRUKVEREFFENAAR	AMORTISSEUR DE PULSAT.	PULSATIONS DÄMPFER	AMORT. DE PULSACIÓN	PULSATIONS DÄMPARE	SMORZATORE DI PULSAZIONI
PUMP	POMP	POMPE	PUMPE	BOMBA	PUMP	POMPA
PUMP AXLE	POMPAS	ESSIEU DE POMPE	PUMPENWELLE	EJE DE LA BOMBA	PUMPAXEL	ASSALE DELLA POMPA
PUMP ELEMENT	POMPELEMENT	ELEMENT DE POMPE	PUMPENELEMENT	ELEMENTO DE BOMBA	PUMPELEMENT	ELEMENTO DELLA POMPA
PUMP GEAR WHEEL	TANDWIEL, POMP	ENGRENAGE DE POMPE	ZAHNRAD, PUMPE	RUEDA DENTADA DE LA BOMBA	KUGGHJULSPUMP	INGRANAGGIO DELLA POMPA
PUSH BUTTON	DRUCKKNOP	BOUTON-POUSSOIR	DRUCKKNOPF	BOTÓN DE IMPULSO	TRYCKKNAPP	PULSANTE
PUSH LOCK FITTING	DRUKBEVESTIGING	FIXATION VERROUILLAGE	DRUCKVERREGELUNG	ACCES. DE BLOQUEO DEL IMPULSO	TRYCKLOCKARMATUR	ACCESSORIO DI BLOCCAGGIO DI SPINTA
PUSH MOUNT	DRUKBEVESTIGING	FIXATION POUSSOIR	DRUCKVERSCHLUSS	MONTAJE DE IMPULSO	TRYCKFÄSTE	PREDISP. DI MONTAGGIO DI SPINTA
PUSH-ON CLIP	DRUKKLEM	CIRCLIP-POUSSOIR	DRUCKKLEMMLE	GRAPA A PRESIÓN	TRYCKKLÄMMA	ARRESTO A PRESSIONE

Q

QD FILTER	QD FILTER	FILTRE QD	QD-FILTER	FILTRO QD	QD-FILTER	FILTRO QD
QUICK COUPLING	SNELKOPPELING	RACCORD RAPIDE	SCHNELLKUPPLUNG/-VER-SCHLUSS	ACOPL. RÁPIDO	SNABBKOPPLING	RACCORDO RAPIDO

R

RACEWAY	BEVESTIGINGSRAIL	SUPPORT	KONSOLLE/KUGELLAGERING	CANALETA	FÄSTE	SEDE DI ROTOLAMENTO
RACK	HEUGEL	CASIER	GESTELL	CREMALLERA	KUGGSTÅNG	CREMAGLIERA
RADIAL LIP SEAL	RADIALE OLIEKEERING	JOINT LANGUETTE RADIALE	RADIALE LIPPENDICHTUNG	SELLO DE LABIOS RADIAL	RADIÉLL LÄPPÅTNING	TENUTA A LABBRO RADIALE
RADIATOR	RADIATOR	RADIATEUR	KÜHLER	RADIADOR	KYLARE	RADIATORE
RADIATOR CAP	RADIATORDOP	BOUCHON DE RADIATEUR	KÜHLWASSERVERSCHLUSS	TAPA DEL RADIADOR	KYLARLOCK	CAPPELLO DEL RADIATORE
RADIATOR FILLING CAP	RADIATORVULLDOP	BOUCHON REMPLISSAGE RAD.	KÜHLWASSERFÜLLVERSCHLUSS	TAPA DELLENADO DEL RADIADOR	PÄFYLLNINGSLÖCK KYLARE	CAPP. DI RIEMPIIMENTO DEL RADIATORE
RADIATOR HOSE	RADIATORSLANG	FLEXIBLE DE RADIATEUR	KÜHLWASSERSCHLAUCH	TUBO DEL RADIADOR	KYLARSLANG	TUBO FLESSIBILE DEL RADIATORE
RADIATOR PIPE	RADIATORPIJP	TUYAU DE RADIATEUR	KÜHLWASSERROHR	TUBERÍA DEL RADIADOR	KYLARRÖR	TUBO DEL RADIATORE
RADIATOR TUBE	RADIATORBUS	TUYAU DE RADIATEUR	KÜHLWASSERLEITUNG	TUBO DEL RADIADOR	KYLARRÖR	TUBO DEL RADIATORE
RAIL	BEVESTIGINGSLIST	RAIL	BEFESTIGUNGSBÜGEL/SCHIENE	CARRIL	FÄSTE	ROTAIA
RAIL SUPPORT	STEUEN V. BEVESTIGINGSLIST	SUPPORT DE RAIL	SCHIENENSTÜTZE	SOPORTE DE GUÍA	FÄSTSTÖD	SUPPORTO PER ROTAIA
RAINCAP	REGENKAP	PROTECTION ANTI-PLUIE	REGENSCHUTZ	CUBIERTA DE LLUVIA	REGNLOCK	CAPPELLO PER PIOGGIA
RANGE CHART	PRESTATIECURVE	COURBE CARACTERISTIQUE	LEISTUNGSKURVE	CURVA CARACTERÍSTICA	OMRÅDESTABELL	GRAFICO DELLA PORTATA
RATCHET	PAL	CLIQUET	SPERRKLINKE	TRINQUETE	SPÄRRHAKE	NOTTOLINO DI ARRESTO
RATCHET ROLLER	ROL	ROULEAU	ROLLE	RODILLO	SPÄRRULLE	ROLLO DEL NOTTOLINO
RATCHET WHEEL	PALWIEL	ROUE A CLIQUET	SPERRKLINKENRAD	RUEDA DE TRINQUETE	SPÄRRHJUL	RUOTA DENTATA/SEGA/CONNOTI DI ARRESTO
REACTOR	SMOORSPOEL	REACTEUR	DROSSELSPULE	REACTOR	REAKTOR	REATTANZA
REAR	ACHTER	ARRIERE	HINTEN	POSTERIOR	BAKRE	POSTERIORE
RECEIVER	KETEL	RESERVOIR	BEHÄLTER	DEPÓSITO	BEHÅLLARE	SERBATOIO
RECEPTACLE	HOUDER	RECIPIENT	STECKDOSE	RECEPTÁCULO	HONKONTAKT	RECIPIENTE
RECOND. SET	REVISIESET	JEU DE REVISION	ÜBERHOLUNGSSATZ	JUEGO DE REVISIÓN	RENOVERINGSATS	SERIE PER LA REVISIONE
RECTIFIER	GELIJKRICHTER	REDRESSEUR	GLEICHRICHTER	RECTIFICADOR	LIKRIKTARE	RADDRIZZATORE
RED SOFT COPPER	ZACHT ROODKOPER	CUIVRE ROUGE DOUX	WEICHES ROTKUPFER	COBRE ROJO BLANDO	MJUK RÖDKOPPAR	RAME ROSSO RICOTTO
RED. NUT	VERLOOPMOER	ÉCROU RÉDUCTEUR	REDUZIERMUTTER	TUERCA REDUCTORA	REDUCERINGSMUTTER	DADO RIDUTTORE
RED. RING	VERLOOPRING	ANNEAU RÉDUCTEUR	REDUZIERRING	ANILLO REDUCTOR	REDUCERINGSRING	ANELLO RIDUTTORE
RED. SLEEVE	VERLOOPSOK	MANCHON DROIT	REDUZIERMUFFE	MANGUITO REDUCTOR	REDUCERINGSHYLSA	BUSSOLA RIDUTTRICE
REDUCER	VERLOOPSTUK	RÉDUCTEUR	REDUZIERSTÜCK	REDUCTOR	REDUCERINGSSTYCKE	RIDUTTORE
REDUCER ELBOW	KNIE VERLOOPSTUK	RÉDUCTEUR A COUDE	ÜBERGANGSKNIEHR	CODO REDUCTOR	REDUCERINGSSTYCKE	GOMITO DI RIDUZIONE
REDUCING COUPLING	VERLOOPKOPPELING	RACCORD RÉDUCTEUR	ÜBERGANGSVERBINDUNG	CONEXIÓN REDUCTORA	REDUCERKOPPLING	GIUNTO DI RIDUZIONE
REDUCING NUT	VERLOOPMOER	ÉCROU RÉDUCTEUR	ÜBERGANGSMUTTER	TUERCA REDUCTORA	REDUCERMUTTER	DADO DI RIDUZIONE
REDUCING PLATE	VERLOOPPLAAT	PLAQUE RÉDUCTRICE	ÜBERGANGSPLATTE	PLACA REDUCTORA	REDUCERPLÁT	PIASTRA DI RIDUZIONE
REDUCING RING	VERLOOPRING	ANNEAU RÉDUCTEUR	ÜBERGANGSRING	ANILLO REDUCTOR	REDUCERRING	ANELLO DI RIDUZIONE
REDUCING SLEEVE	VERLOOPHULS	MANCHON RÉDUCTEUR	ÜBERGANGSMUFFE	MANGUITO REDUCTOR	REDUCERMANTEL	MANICOTTO DI RIDUZIONE
REDUCING SOCKET	VERLOOPHULS	MANCHON RÉDUCTEUR	ÜBERGANGSMUFFE	ENCHUFE HEMBRA REDUCTOR	REDUCERHYLSA	PRESA DI RIDUZIONE
REDUCING WASHER	VERLOOPRING	RONDELLE RÉDUCTRICE	ÜBERGANGSSCHIEBE	ARANDELA REDUCTORA	REDUCERBRICKA	RONDELLA DI RIDUZIONE
REEL	SPOEL	BOBINE	ROLLE	CARRETE	RULLE	BOBINA
REFLECTOR	REFLECTOR	REFLECTEUR	REFLEKTOR	REFLECTOR	REFLEKTOR	RIFLETTORE
REFRIGERANT COMPR.	KOELKOMPRESSOR	COMPRESSEUR DE REFRIG	KÄLTEMITTELKOMP.	COMPR. DE REFRIGERACIÓN	KYLKOMPRESSOR	COMPRESSORE REFRIGERANTE
REGENERATION PIPE	PIJP	TUYAU	ROHR	TUBO DE REGENARACIÓN	RÖR	TUBO DI RIGENERAZIONE
REGULATING VALVE	REGELVENTIEL	SOUPAPE DE REGULATION	REGELVENTIL	VÁLV. DE REGULACIÓN	REGLERVENTIL	VALVOLA DI REGOLAZIONE
REGULATOR	REGELAAR	REGULATEUR	REGLER	REGULADOR	REGULATOR	REGOLATORE
REHEATER	HERVERWARMER	ELEMENT DE RECHAUFFAGE	NACHBRENNER	RECALENTADOR	ÅTERUPPVÄRMARE	RISCALDATORE INTERMEDIO
REINFORCEMENT PLATE	VERSTEVIGINGSPLAAT	PLAQUE DE RENFORCEMENT	VERSTEIFUNGSPLATTE	PLACA DE REFUERZO	FÖRSTÄRKNINGSPLATTA	PIASTRA DI RINFORZO
REINFORCEMENT STRIP	VERSTEVIGINGSSTRIP	BANDE DE RENFORCEMENT	VERSTÄRKUNGSPROFIL	TIRA DE REFUERZO	FÖRSTÄRKNINGREMSA	NASTRO DI RINFORZO
RELAY	RELAIS	RELAIS	RELAIS	RELÉ	RELÉ	RELÉ
RELAY BOX	RELAISKAST	BOITE DE RELAIS	RELAISKASTEN	CAJA DE RELÉ	RELÄSKÅP	SCATOLA PER RELE'
RELAY SOCKET	RELAISAANSLUITING	DOUILLE DE RELAIS	RELAISPLATZ	ENCHUFE HEMBRA DE RELÉ	RELÄHYLSA	PRESA PER RELE'
RELEASE VALVE	UITLEATKLEP	SOUAPE DE DETENTE	AUSLÖSEVENTIL	VALVULA DE DESCARGA	UTLÖSNINGSVENTIL	VALVOLA DI SCARICO DELLA PRESSIONE
RELIEF VALVE	OVERDRUKKLEP	SOUAPE DE SURPRESSION	ÜBERDRUCKVENTIL	VÁLV. SOBREPRESIÓN	ÖVERTRYCKSVENTIL	VALVOLA LIMITATRICE DELLA PRES.
REMOTE CONTROL	AFSTANDSBEDIENING	TELECOMMANDE	FERNSTEUERUNG	CONTROL REMOTO	FJÄRRKONTROLL	CONTROLLO A DISTANZA
REMOTE PANEL	AFSTANDSBEDIENINGSPANEEL	TABLEAU TELECOMMANDE	FERNBEDIENUNGSPULT	PANEL REMOTO	FJÄRRPANEL	PANNELLO DI COMANDO A DISTANZA
REPAIR KIT	HERSTELLINGSKIT	KIT DE REPARATION	REPARATURSATZ	KIT DE REPARACIÓN	REPARATIONSSATS	KIT PER RIPARAZIONI
RESERVE TANK	RESERVE TANK	RESERVOIR DE RESERVE	VORRATSBEHÄLTER	DEPÓSITO DE RESERVA	RESERVETANK	SERBATOIO DI RISERVA
RESISTOR	WEERSTAND	RESISTANCE	WIDERSTAND	RESISTENCIA	MOTSTÅND	RESISTENZA
RESTRICTOR	RESTRICTIE	RESTRICTEUR	DROSSEL	RESTRICTOR	STRYPBRICKA	LIMITATORE DI EFFLUSSO
RESTRICTOR VALVE	RESTRICTIEKLEP	VALVE DE RESTRICTION	DROSSELVENTIL	VÁLV. DE RESTRICCIÓN	STRYPVENTIL	VALVOLA LIMITATRICE DELLA PORTATA
RESTRICTOR WASHER	BEGRENZER	RONDELLE DE RESTRICTEUR	BEGRENZUNGSSCHIEBE	ARANDELA RESTRICTIVA	STRYPBRICKA	RONDELLA DI LIMITAZIONE
RETAINER	HOUDER	ARRETOIR	HALTER	DISPOSITIVO TOPE	HÅLLARE	FERMO, SCODELLINO
RETAINING RING	BORGRING	BAGUE D'ARRETOIR	SPRENGRING	ANILLO DE RETENCIÓN	STOPPRING	ANELLO DI FERMO
RETAINING SPRING	BORGVEER	RESSORT DE RETENUE	HALTFEDER	MUELLE DE RETENCIÓN	SPÄRRFÄDER	MOLLA DI FERMO
RH (RIGHT-HAND)	RECHTS	DROITE	RECHTS	MANO DERECHA	HÖGER	DESTRA
RHEOSTAT	REGELBARE WEERSTAND	RHEOSTAT	RHEOSTAT	REÓSTATO	REOSTAT	REOSTATO
RIM	VELG	JANTE	FELGE	LLANTA	FÄLG	CORONA
RING	RING	ANNEAU, BAGUE	RING	RING	RING	ANELLO
RIVET	KLINKNAGEL	RIVET	NIET	REMACHE	NI	RIVETTO
ROAD AXLE	AS	ESSIEU ROUTIER	ACHSE	EJE DE LA CALZADA	VÅGAXEL	ASSALE STRADALE
ROAD SIGNALISATION	WEGSIGNALISATIE	SIGNALISATION ROUTIÈRE	SIGNALVORRICHTUNG	SEÑALIZ. DE CARRETERA	VÄGMARKERING	SEGNALAZIONI STRADALI
ROCKER COVER	TUIMELAARDEKSEL	CACHE-CULBUTEUR	KIPFHEBELABDECKUNG	CUBIERTA DEL BALANCÍN	VIPPLÖCK	COPERTURA BILANCIERE
ROCKWOOL	STEENWOL	LAINÉ MINÉRALE	STEINWOLLE	LANA MINERAL	MINERALULL	LANA DI SCORIA
ROD	STANG	TIGE	STANGE	BARRA	STÅNG	STELO
ROD CONNECTION	STANGVERBINDING	CONNEXION A TIGE	STANGENVERBINDUNG	CONEXIÓN DE LA BARRA	KOLVSTÅNG	STELO-STANTUFFO
ROD EYE	STANGOOG	ANNEAU DE TIGE	STANGENÖSE	OJO DE LA BARRA	STÅNGANSLUTNING	CONNESSIONE DELLO STELO

ENGLISH	NORSK	DANSK	ΕΛΛΗΝΙΚΑ	PORTUGUÊS	SUOMI
PRESSURE VESSEL	TRYKKBEHOLDER	TRYKBEHOLDER	ΔΟΧΕΙΟ ΠΙΕΣΗΣ	RESERVATÓRIO DE PRESSÃO	PAINEASTIA
PRINTED MATTER (PM)	TRYKKSAK	TRYKSAGER	ΕΝΤΥΠΟ ΥΛΙΚΟ	IMPRESSOS	PAINOTUOTE
PROFILE	PROFIL	PROFIL	ΠΡΟΦΙΛ, ΜΑΤΟΜΗ, ΕΞΑΡΤΗΜΑ	PERFIL	PROFILI
PROGRAMMER	PROGRAMMERER	PROGRAMMØR	ΠΡΟΓΡΑΜΜΑΤΙΣΤΗΣ	PROGRAMADOR	OHJELMOIJA
PROTECTION	VERN	SKÆRM	ΠΡΟΣΤΑΣΙΑ	PROTECÇÃO	SUOJUS
PROTECTION CAP	VERNEHETTE	BESKYTTELSESHETTE	ΠΡΟΣΤΑΤΕΥΤΙΚΟ ΚΑΠΑΚΙ, ΣΚΕΦΙΑΣΜΑ	TAMPA DE PROTECÇÃO	SUOJATULPPA
PROTECTION COLLAR	BESKYTTELSESHYLSE	BESKYTTELSESMUFFE	ΠΡΟΣΤΑΤΕΥΤΙΚΟ ΚΟΛΛΑΡΟ	ARO DE PROTECÇÃO	SUOJAKAULUS
PROTECTION PLATE	BESKYTTELSESPLATE	BESKYTTELSESPLADE	ΠΡΟΣΤΑΤΕΥΤΙΚΗ ΠΛΑΚΑ	PLACA DE PROTECÇÃO	SUOJALEVY
PROTECTION PLUG	BESKYTTELSESPLUGG	BESKYTTELSESSTIK	ΠΡΟΣΤΑΤΕΥΤΙΚΟ ΠΩΜΑ	TOMADA DE PROTECÇÃO	SUOJATULPPA
PROXIMITY SENSOR	NÆRFØLER	NÆRHEDSFØLER	ΑΙΣΘΗΤΗΡΑΣ ΠΡΟΣΕΓΓΙΣΗΣ	SENSOR DE PROXIMIDADE	LÄHESTYMYKSANTURI
PROXIMITY SWITCH	NÆRBRYTER	NÆRHEDSAFBRYDER	ΔΙΑΚΟΠΤΗΣ ΠΡΟΣΕΓΓΙΣΗΣ	INTERRUPTOR DE PROXIMIDADE	LÄHESTYMSKYTKIN
PULLEY	REMSKIVE	REMSKIVE	ΤΡΟΧΑΛΙΑ	POLIA	HIHNAPYÖRÄ
PULLEY SHAFT	REMSKIVEAKSEL	REMSKIVEAKSEL	ΑΞΟΝΑΣ ΤΡΟΧΑΛΙΑΣ	EIXO DA POLIA	HIHNAPYÖRÄN AKSELI
PULLROD	TREKKSTANG	TREKSTANG	ΡΑΒΔΟΣ ΕΛΞΗΣ	HASTE DE TRACÇÃO	VETOTANKO
PULSATION DAMPER	PULSERINGSDEMPEP	STØDDEMPER	ΑΠΟΣΒΕΣΤΗΡΑΣ ΔΙΑΚΥΜΑΝΣΕΩΝ	AMORTECEDOR DE PULSAÇÕES	PAINEISKUJEN VAIMENNIN
PUMP	PUMPE	PUMPE	ΑΝΤΙΑ	BOMBA	PUMPPU
PUMP AXLE	PUMPEAKSEL	PUMPEAKSEL	ΑΞΟΝΑΣ ΑΝΤΙΑΣ	EIXO DA BOMBA	PUMPUN AKSELI
PUMP ELEMENT	PUMPELEMENT	PUMPELEMENT	ΣΤΟΙΧΕΙΟ ΑΝΤΙΑΣ	ELEMENTO DE BOMBA	PUMPULEMENTTI
PUMP GEAR WHEEL	TANNHJULSPUMPE	PUMPETANDHJUL	ΟΔΟΝΤΩΤΟΣ ΤΡΟΧΟΣ ΑΝΤΙΑΣ	ENGRENAGEM DA BOMBA	PUMPUN HAMMASPYÖRÄ
PUSH BUTTON	TRYKKKNAPP	TRYKKNAP	ΚΟΥΜΠΙ, ΜΠΟΥΤΟΝ	BOTÃO DE PRESSÃO	PAINKI
PUSH LOCK FITTING	TRYKKLÅSESIVEL	TRYKKLÅSFITTING	ΑΣΦΑΛΙΣΜΟΝ Ο ΕΞΑΡΤΗΜΑ	ENCAIXE COM FECHO DE PRESSÃO	PISTOKINNITYS
PUSH MOUNT	TRYKKOPPLING	TRYKKOBLING	ΕΦΑΡΜΟΣΤΗ ΒΑΣΗ	INSTALAÇÃO DE COMPRESSÃO	PISTOKINNITYS
PUSH-ON CLIP	TRYKKLEMME	TRYKKLEMME	ΕΦΑΡΜΟΣΤΟΣ ΣΥΓΚΡΑΤΗΤΗΡΑΣ	FREIO DE ENCAIXE	LUKITSIN

Q					
QD FILTER	QD-FILTER	QD-FILTER	ΦΙΛΤΡΟ QD	FILTRO QD	QD-SUODATIN
QUICK COUPLING	HURTIGKOPLING	LYNKOBLING	ΤΑΧΥΣΥΝΔΕΣΜΟΣ	UNLÃO RÁPIDA	PIKALITIN

R					
RACEWAY	FESTESKINNE	KROG	ΤΡΟΧΙΑ	CALHA	KIINITYSKISKO
RACK	STATIV	STATIV	ΚΥΡΕΛΗ	CREMALHEIRA	TELINE
RADIAL LIP SEAL	RADIAL LEPPETETNING	RADIAL LUKKEFLADETÆTNING	ΠΕΡΙΦΕΡΕΙΑΚΗ ΣΤΕΓΑΝΩΣΗ ΧΕΛΑΘΟΥΣ	SELO DE VIOLA RADIAL	SÄTEISÖLYKYNNYS
RADIATOR	KJØLER	KØLER	ΨΥΓΓΕΙΟ	RADIADOR	JÄÄHDYTTIN
RADIATOR CAP	RADIATORLOKK	KØLERDEKSEL	ΚΑΠΑΚΙ ΨΥΓΓΕΙΟΥ	TAMPA DO RADIADOR	JÄÄHDYTTIMEN KANSI
RADIATOR FILLING CAP	RADIATORPÄFYLLINGSLOKK	KØLERDEKSEL	ΚΑΠΑΚΙ ΠΛΗΡΩΣΗΣ ΨΥΓΓΕΙΟΥ	BUIÃO DE ENCHIMENTO DO RADIADOR	JÄÄHDYTTIMEN TÄYTTÖTULPPA
RADIATOR HOSE	RADIATORSLANGE	KØLERSLANGE	ΕΛΑΣΤΙΚΟΣ ΣΩΛΗΝΑΣ ΨΥΓΓΕΙΟΥ	MANGUEIRA DO RADIADOR	JÄÄHDYTTIMEN LETKU
RADIATOR PIPE	RADIATORRØR	KØLERRØR	ΣΩΛΗΝΑΣ ΨΥΓΓΕΙΟΥ	CANO DO RADIADOR	JÄÄHDYTTINPUTKI
RADIATOR TUBE	RADIATORRØR	KØLERRØR	ΣΩΛΗΝΑΣ ΨΥΓΓΕΙΟΥ	TUBO DO RADIADOR	JÄÄHDYTTINPUTKI
RAIL	SKINNE	KROG/SKINNE	ΡΑΓΑ	CALHA	ASENNUSKISKO
RAIL SUPPORT	SKINNESTØTTE	SKINNESTØTTE	ΥΠΟΣΤΗΡΙΓΜΑ ΡΑΓΑΣ	SUPORTE DE CALHA	KISKON KANNATIN
RAINCAP	REGNLOKK	REGNLÅG	ΣΚΕΠΑΣΤΡΟ	CAPOTA	HATTU
RANGE CHART	DIAGRAM FUNKSJONSOMRÅDE	R-KORT	ΠΙΝΑΚΑΣ ΤΙΜΩΝ	GRÁFICO DE AMPLITUDES	MITTATAULUKKO
RATCHET	SPERREHÅKE	SPERREHÅGE	ΚΑΣΤΑΝΙΑ	ENGRENAGEM DENTADA	PIDÄTINHAKA
RATCHET ROLLER	SPERRERULL	SPÆRRETROMLE	ΚΑΣΤΑΝΙΩΤΟ ΡΑΒΔΑΙΟ	ROLO DE ENGRENAGEM DENTADA	PIDÄTINRULLA
RATCHET WHEEL	MERKEDATA-PLUGG	SPÆRREHJUL	ΚΑΣΤΑΝΙΩΤΟΣ ΤΡΟΧΟΣ	RODA DE ENGRENAGEM DENTADA	PIDÄTINPYÖRÄ
REACTOR	REAKTOR	DROSSELSPOLE	ΑΝΤΙΑΡΣΗΤΗΡΑΣ	REACTOR	KURISTIN
REAR	BAKRE	BAGSIDE	ΠΙΣΩ	TRASEIRO	TAKA
RECEIVER	BEHOLDER	BEHOLDER	ΣΥΛΛΕΚΤΗΣ	RESERVATÓRIO	SÄILIÖ
RECEPTACLE	BEHOLDER	BEHOLDER	ΥΠΟΔΟΧΕΑΣ	RECIPIENTE	SÄILIÖ
RECOND. SET	OVERHALINGSSETT	REPARATIONSSÆT	ΣΕΙΡΑ ΕΞΑΡΤΗΜΑΤΩΝ ΑΝΑΚΑΤΑΣΚΕΥΗΣ	JOGO DE RECONDICIONAMENTO	KORJAUSSARJA
RECTIFIER	LIKERETTER	ENSRETTERRØR	ΑΝΟΡΘΩΤΗΣ	RECTIFICADOR	TASASUUNTAAJA
RED SOFT COPPER	MYKT RØDT KOPPER	BLØDT RØDKOBBER	ΚΟΚΚΙΝΟΣ ΜΑΛΑΚΟΣ ΧΑΛΚΟΣ	COBRE VERMELHO-MAÇIO	PUNAKUPARI
RED. NUT	REDUKTIONSMUTTER	REDUKTIONSMØTRIK	ΠΕΡΙΚΟΧΑΙΟ ΜΕΙΩΤΗΡΑ	PORCA REDUTORA	SUPISTUSMUTTERI
RED. RING	REDUKSIONSRING	REDUKTIONSRING	ΔΑΚΤΥΛΙΟΣ ΜΕΙΩΤΗΡΑ	ANEL REDUTOR	SUPISTUSRENGAS
RED. SLEEVE	REDUKSIONSHYLSE	REDUKTIONSMUFFE	ΧΡΙΤΩΝΙΟ ΜΕΙΩΤΗΡΑ	MANGA REDUTORA	SUPISTUSHOLKKI
REDUCER	REDUKSIONSVENTIL	REDUKTIONSANORDNING	ΜΕΙΩΤΗΡΑΣ	REDUTOR	SUPISTUSKAPALLE
REDUCER ELBOW	REDUKSIONSKNE	REDUKTIONSKNÆ	ΓΩΝΙΑ ΜΕΙΩΤΗΡΑ	REDUTOR EM COTOVELO	KULMASUPISTUSYHDE
REDUCING COUPLING	REDUKSIONSKOPLING	REDUKTIONSKOBLING	ΣΥΝΔΕΣΜΟΣ ΜΕΙΩΤΗΡΑ	ACOPLAMENTO REDUTOR	SUPISTUSLIITOS
REDUCING NUT	REDUKSIONSMUTTER	REDUKTIONSMØTRIK	ΠΕΡΙΚΟΧΑΙΟ ΜΕΙΩΤΗΡΑ	PORCA DE REDUÇÃO	SUPISTUSMUTTERI
REDUCING PLATE	REDUKSIONSPATE	REDUKTIONSPLADE	ΕΛΑΣΜΑ ΜΕΙΩΤΗΡΑ	PLACA DE REDUÇÃO	SUPISTUSLEVY
REDUCING RING	REDUKSIONSRING	REDUKTIONSRING	ΔΑΚΤΥΛΙΟΣ ΜΕΙΩΤΗΡΑ	ANEL DE REDUÇÃO	SUPISTUSRENGAS
REDUCING SLEEVE	REDUKSIONSHYLSE	REDUKTIONSMUFFE	ΧΡΙΤΩΝΙΟ ΜΕΙΩΤΗΡΑ	MANGA DE REDUÇÃO	SUPISTUSMUHVI
REDUCING SOCKET	REDUKSIONSHYLSE	REDUKTIONSMUFFE	ΥΠΟΔΟΧΗ ΜΕΙΩΤΗΡΑ	ENCAIXE DE REDUÇÃO	SUPISTUSHOLKKI
REDUCING WASHER	REDUKSIONSSKIVE	REDUKTIONSSKIVE	ΡΟΔΕΛΑ ΜΕΙΩΤΗΡΑ	ANILHA DE REDUÇÃO	SUPISTUSLAATTA
REEL	HASPEL	HASPE	ΜΠΟΜΠΙΝΑ, ΚΑΡΟΥΛΑ	CARRETEL	KELA
REFLECTOR	REFLEKTØR	REFLEKTØR	ΑΝΑΚΛΑΣΤΗΡΑΣ	REFLECTOR	HELIJÄSTIN
REFRIGERANT COMPR.	KJØLEKOMPRESSOR	KØLEKOMPRESSOR	ΨΥΚΤΙΚΟ ΜΕΣΟΣΥΜΠΙΕΣΤΗ	COMPRESSÃO DE REFRIGERANTE	JÄÄHDYTYSKOMPRESSORI
REGENERATION PIPE	RØR	RØR	ΣΩΛΗΝΑΣ ΑΝΑΠΑΡΑΓΩΓΗΣ	TUBO DE REGENERAÇÃO	PUTKI
REGULATING VALVE	REGULERINGSVENTIL	REGULERINGSVENTIL	ΡΥΘΜΙΣΤΙΚΗ ΒΑΛΒΙΔΑ	VÁLVULA REGULADORA	SÄÄTÖVENTTILI
REGULATOR	REGULATOR	REGULATOR	ΡΥΘΜΙΣΤΗΣ	REGULADOR	SÄÄDIN
REHEATER	ETTERBÆNDER	FJERNBETJENING	ΑΝΑΘΕΡΜΑΝΤΗΡΑΣ	REaquecedor	JÄLKILÄMMITIN
REINFORCEMENT PLATE	FØRSTERKINGSPLATE	FØRSTERKINGSPLADE	ΕΝΔΥΤΙΚΟ ΕΛΑΣΜΑ	PLACA DE REFORÇO	VÄHVISTUSLEVY
REINFORCEMENT STRIP	FØRSTERKINGSLIST	FØRSTERKINGSLISTE	ΕΝΔΥΤΙΚΗ ΤΑΞΙΑ	FAIXA DE REFORÇO	VÄHVISTUSLIUSKA
RELAY	RELÉ	RELÉ	ΡΕΛΕ	RELÉ	RELE
RELAY BOX	RELÉBOKS	RELÉKASSE	ΚΟΥΤΙ ΡΕΛΕ	CAIXA DE RELÉ	RELEKOTELLO
RELAY SOCKET	RELÉHOLDER	RELÉMUFFE	ΥΠΟΔΟΧΗ ΡΕΛΕ	ENCAIXE DE RELÉ	RELEEN LIITIN
RELEASE VALVE	UTLØSERVENTIL	UDLØSERVENTIL	ΒΑΛΒΙΔΑ ΑΠΕΛΕΥΘΕΡΩΣΗΣ	VÁLVULA DE SEGURANÇA	POISTOVENTTILI
RELIEF VALVE	SIKKERHETSVENTIL	OVERTRYKVENTIL	ΑΝΑΚΟΥΦΙΣΤΙΚΗ ΒΑΛΒΙΔΑ	VÁLVULA DE DESCARGA	KEVÄNNYSVENTTILI
REMOTE CONTROL	FJERNKONTROLL	FJERNBETJENING	ΤΗΛΕΧΕΙΡΙΣΤΗΡΙΟ	COMANDO REMOTO	KAUKOSÄÄTÖ
REMOTE PANEL	FJERNPANEL	FJERNPANEL	ΤΗΛΕΧΕΙΡΙΣΤΗΡΙΟ	PAINEL REMOTO	KAUKOSÄÄTÖTAULU
REPAIR KIT	VERKTØYKASSE	REPARATIONSSÆT	ΣΕΙΡΑ ΕΞΑΡΤΗΜΑΤΩΝ ΕΠΙΣΚΕΥΗΣ	JOGO DE REPARAÇÃO	KORJAUSSARJA
RESERVE TANK	RESERVEKASSE	RESERVEKASSE	ΕΦΕΡΒΗΚΗ ΔΕΞΑΜΕΝΗ	TANQUE DE RESERVA	VARASÄILIÖ
RESISTOR	MOTSTAND	MODSTAND	ΑΝΤΙΣΤΑΣΗ	RESISTÊNCIA	VASTUSELEMENTTI
RESTRICTOR	STRØMNINGSBEGRENSER	KONTROL	ΠΕΡΙΟΡΙΣΤΗΣ	RESTRICTOR	RAJOITIN
RESTRICTOR VALVE	STRØMNINGSBEGRENSERVENTIL	KONTROLVENTIL	ΠΕΡΙΟΡΙΣΤΙΚΗ ΒΑΛΒΙΔΑ	VÁLVULA RESTRICTORA	RAJOITUSVENTTILI
RESTRICTOR WASHER	HOLDERAMME	KONTROLSKIVE	ΡΟΔΕΛΑ ΠΕΡΙΟΡΙΣΤΗ	ANILHA DO LIMITADOR	RAJOITIN
RETAINER	HOLDEBREMSE	HOLDER	ΣΥΓΚΡΑΤΗΤΗΡΑΣ	RETENTOR	PIDIN
RETAINING RING	LÅSERING	LÅSERING	ΔΑΚΤΥΛΙΟΣ ΣΥΓΚΡΑΤΗΣΗΣ	ANEL DE RETENÇÃO	PIDÄTINRENGAS
RETAINING SPRING	LÅSEFJÆR	SPÆRREFJEDER	ΕΛΑΤΗΡΙΟ ΣΥΓΚΡΑΤΗΣΗΣ	MOLA RETENTORA	PIDÄTYSIJOUSSI
RH (RIGHT-HAND)	HØYRE SIDE	HØYRE HÅND	ΔΕΞΙΑ	DIREITO	OIKEA
RHEOSTAT	REOSTAT	(RHEOSTAT) VARIABELMODSTAND	ΡΟΟΣΤΑΤΗΣ	REOSTATO	SÄÄTÖVASTUS
RIM	FELG	FÆLG	ΣΤΕΦΑΝΗ	ARO	VANNE
RING	RING	RING	ΔΑΚΤΥΛΙΟΣ	ANEL	RENGAS
RIVET	NAGLE	NITTE	ΚΑΡΦΙ, ΗΛΟΣ, ΠΙΠΤΣΙΝΙ	REBITE	NIITTI
ROAD AXLE	VEIAKSEL	HJULAKSEL	ΑΞΟΝΑΣ ΤΡΟΧΩΝ	EIXO RODOVIÁRIO	AKSELI
ROAD SIGNALISATION	VEIMERKING	VEISKILT	ΣΗΜΑΝΣΗ ΔΡΟΜΟΥ	SINALIZAÇÃO RODOVIÁRIA	LIKENNETURVAVARUSTUS
ROCKER COVER	RULLEDEKSEL	GÆNGEBESKYTTELSE	ΚΑΛΥΜΜΑ ΑΙΩΣΤΗΡΑ	TAMPA DE BALANCEIROS	KÄÄNTÖKANSI
ROCKWOOL	MINERALULL	MINERALULL	ΠΕΤΡΟΒΑΜΒΑΚΑΣ	LÁ DE ROCHA	MINERAALIVILLA
ROD	RÅDE	STANG	ΡΑΒΔΟΣ	HASTE	TANKO

ENGLISH	NEDERLANDS	FRANCAIS	DEUTSCH	ESPAÑOL	SVENSKA	ITALIANO
ROLLER	ROL	ROULEAU	ROLLE	RODILLO	RULLE	RULLO
ROLLER BEARING	WENTELLAGER	ROULEMENT DU ROULEAU	ROLLENLAGER	COINETE DE RODILLO	RULLAGER	CUSCINETTO DEL RULLO
ROOF	DAK	TOIT	DACH	TECHO	TAK	TETTO
ROTATING DIODE BRIDGE	DRAAIENDE DIODENBRUG	PONT DE DIODES TOURNANT	DREHDIODENBRÜCKE	PUNTE DE DIODOS GIRATORIO	ROTERAENDE DIODBYRGA	PONTE DEL DIODO ROTANTE
ROTATION ARROW	ROTATIEPIJL	FLECHE DE ROTATION	DREHRICHTUNGSPFEIL	FLECHA DE ROTACION	ROTATIONSPIL	FRECCIA DI ROTAZIONE
ROTOR	ROTOR	ROTOR	LÄUFER	ROTOR	ROTOR	ROTORE
ROTOR HOUSING	ROTORHUIS	LOGEMENT DE ROTOR	LÄUFERGHÄUSE	CARCASA DEL ROTOR	ROTORHUS	ALLOGGIAMENTO ROTORI
ROTOR SET	ROTORSET	JEU DE ROTOR	LÄUFERSATZ	JUEGO DE ROTORES	ROTORSETS	COPIA DI ROTORI
ROUND BAR	STANG	BARRE RONDE	RUNDE STANGE	BARRA REDONDA	RUNDSTÅNG	BARRA ROTONDA
RUBBER	RUBBER	CAOUTCHOUC	GUMMI	CAUCHO	GUMMI	GOMMA
RULER	LINEAAL	REGLE	LINEAL	REGLA	LINJAL	RIGATRICE
RUN CAPACITOR	BEDRIJFSCONDENSATOR	CONDENSATEUR DE SERV.	BETRIEBSKONDENS.	CONDENSADOR DE SERVICIO	DRIFTSKONDENSATOR	COND. DI FUNZIONAMENTO

S

SAFETY CABLE	VEILIGHEIDSKABEL	CABLE DE SECURITE	SICHERHEITSKABEL	CABLE DE SEGURIDAD	SÄKERHETSKABEL	CAVO DI SICUREZZA
SAFETY CARTRIDGE	VEILIGHEIDSPATROON	CARTOUCHE DE SECURITE	SICHERHEITSPATRONE	CARTUCHO DE SEGURIDAD	SÄKERHETSPATRON	CARTUCCIA DI SICUREZZA
SAFETY CONTROL	VEILIGHEIDSGEDELING	CONTROLE DE SECURITE	SCHUTZMASSNAHMEN	CONTROL DE SEGURIDAD	SÄKERHETSKONTROLL	CONTROLLO DI SICUREZZA
SAFETY ELEMENT	VEILIGHEIDSELEMENT	CARTOUCHE, SECURITE	SICHERHEITSELEMENT	EL. DE SEGURIDAD	SÄKERHETSELEMENT	ELEMENTO DI SICUREZZA
SAFETY FILTER ELEMENT	VEILIGHEIDSFILTERELEMENT	EL. FILTRAGE DE PROTECTION	SICHERHEITSFILTERELEMENT	ELEMENTO DEL FILTRO DE SEGURIDAD	SÄKERHETSFILTERELEMENT	ELEMENTO FILTRANTE DI SICUREZZA
SAFETY LABEL	VEILIGHEIDSPLAATJE	LABEL DE SECURITE	SICHERHEITSSCHILD	ETIQUETA DE SEGURIDAD	SÄKERHETSSKYLT	ETICHETTA DI SICUREZZA
SAFETY PRECAUTIONS	VEILIGHEIDSVORSCHRIFTEN	PRECAUTIONS DE SECURITE	SICHERHEITSMASSNAHMEN	PRECAUCIONES DE SEGURIDAD	SÄKERHETSÅTGÄRDER	PRECAUZIONI DI SICUREZZA
SAFETY RELAY	VEILIGHEIDRELAYS	RELAIS DE SECURITE	SICHERHEITRELAYS	RELÉ DE SEGURIDAD	SÄKERHETSRELÄ	RELE' DI SICUREZZA
SAFETY VALVE	VEILIGHEIDSKLEP	SOUPAPE DE SURETE	SICHERHEITSENTIL	VÁLV. DE SEGURIDAD	SÄKERHETSENTIL	VALVOLA DI SICUREZZA
SAFETY WALK	ANTI-SLIP	BANDE ANTI-DÉRAPANTE	RUTSCHFESTSTREIFEN	TIRA ANTIDESLIZANTE	HALSKSYDD	PERCORSO DI SICUREZZA
SCAVENGE LINE	RETOURLEIDING	CONDUIT DE RETOUR	RÜCKLAUFLEITUNG	CONDUCTOR DE RETORNO	RETURLEDNING	LINEA DI RECUPERO
SCAVENGE PIPE	RETOURLEIDING	TUYAU DE RETOUR	RÜCKLAUFROHR	TUBERÍA DE BARRIDO	SPÖLRÖR	TUBO DI RITORNO DELL'OLIO
SCRAPER BOLT	SCHRAPER	RACLEUR	ABSTREIFBOLZEN	PERNO DEL RASCADOR	SKAVBULT	RASCHIATORE
SCRAPER RING	OLIESCHRAAPRING	SEGMENT RACLEUR	ABSTREIFRING	ANILLO RASCADOR	SKRAPRING	ANELLO RASCHIATORE
SCREEN	SCHERM	GRILLE	SCHIRM	REJILLA	GALLER	SCHERMO
SCREW	SCHROEF	VIS	SCHRAUBE	TORNILLO	SKRUV	VITE
SCREW COUPLING	SCHROEFKOPPELING	ACCOUPEMENT A VIS	SCHRAUBKUPPLUNG	ACOPLAMIENTO ROSCADO	SKRUVKOPPLING	TENDITORE A VITE
SCREW DRIVER	SCHROEVENDRAAIER	TOURNEVIS	SCHRAUBENZIEHER	DESTORNILLADOR	SKRUVMEISEL	CACCIAVITE
SCREW HEXAGON HEAD	ZESKANTSCHROEF	VIS A TETE HEXAGONALE	SECHSKANTSCHRAUBE	CABEZA HEXAGONAL DEL TORNILLO	SEKANTSSKRUV	TESTA ESAGONALE A VITE
SCREWED FLANGE	SCHROEFENFLANS	BRIDE VISSEE	VERSCHRAUBTER FLANSCH	PERNO FILETEADO	GÅNGAD FLÅNS	FLANGIA AVVITATA
SCREWED STUD	VERBINDINGSBOUT	GOUPILLE VISSE	SCHRAUBBOLZEN	ESPÁRAGO FILETEADO	GÅNGAD PINNBULT	PRIGIONIERO
SEAL	AFDICHTING	JOINT	DICHTUNG	JUNTA	TÄTNING	GUARNIZIONE
SEAL CORD	AFDICHTINGSSNOER	FICELLE, OBTURATION	DICHTUNGSSCHNUR	CUERDA DE ESTANCAM.	TÄTNINGSTRÅD	CORDA DI TENUTA
SEAL DISC	AFDICHTINGSSCHIJF	DISQUE D'ETANCHEITE	DICHTUNGSSCHEIBE	DISCO DE SELLADO	TÄTNINGSSKIVA	DISCO DI TENUTA
SEAL FRAME	AFDICHTINGSRAAM	CHASSIS D'ETANCHEITE	DICHTUNGSRahmen	MARCO DE SELLADO	TÄTNINGSRAM	TELAI DI TENUTA
SEAL HOUSING	AFDICHTINGSHUIS	CARTER, ETANCHEITE	DICHTUNGSGEHÄUSE	CAJA DE ESTANCAM.	TÄTNINGSHUS	ALLOGGIAMENTO DI TENUTA
SEAL NILOS	NILOS AFDICHTING	ETANCHEITE NILOS	NILOS DICHTUNG	ANILLO DEL STANCAM NILOS	TÄTNINGSRING NILOS	ANELLO DI TENUTA NILOS
SEAL PANEL	AFDICHTINGSPANEEL	PANNEAU D'ETANCHEITE	DICHTUNGSPÄCHE	PANEL DE SELLADO	TÄTNINGSPANEL	PANNELLO DI TENUTA
SEAL PLATE	AFDICHTINGSPLAAT	PLAQUE D'ETANCHEITE	DICHTUNGSPLATTE	PLACA DE SELLADO	TÄTNINGSPLÅT	PIASTRA DI TENUTA
SEAL PROFILE	AFDICHTINGSPROFIEL	PROFIL D'ETANCHEITE	DICHTUNGSPROFIL	PERFIL DE SELLADO	TÄTNINGSPROFIL	PROFLO DI TENUTA
SEAL RETAINER	AFDICHTINGSHOUDER	ARRETOIR ETANCHEITE	HALTER, DICHTUNG	RETÉN DE ESTANCAM.	TÄTNINGSHÅLLARE	FERMO PER LA TENUTA
SEAL RING	AFDICHTINGSRING	BAGUE D'ETANCHEITE	DICHTUNGSRING	ANILLO DE ESTANCAM.	TÄTNINGSRING	ANELLO DI TENUTA
SEAL SECTOR	AFDICHTINGSSECTOR	SECTEUR D'ETANCHEITE	DICHTUNGSSEKTOR	SECTOR ESTANCO	TÄTNINGSSEKTOR	SETTORE DI TENUTA
SEAL STRIP	AFDICHTINGSSTRIP	JOINT	DICHTUNGSSSTREIFEN	TIRA DE ESTANCAM.	TÄTNINGSBAND	GUARNIZIONE
SEAL WASHER	AFDICHTINGSPLAATJE	RONDELLE ETANCHEITE	DICHTUNGSSCHEIBE	ARAND. DE ESTANCAM.	TÄTNINGSBRICKA	RONDELLA DI TENUTA
SEALING	AFDICHTING	ETANCHEMENT	ABDICHTUNG	SELLADO	TÄTNING	CHIUSURA A TENUTA
SEALING COMPOUND	AFDICHTINGSPASTA	PÂTE D'ETANCHEITE	DICHTUNGSMASSE	PASTA SELLANTE	TÄTNINGSMASSA	COMPOSTO ERMETICO
SEALING PLUG	AFDICHTINGSPRUG	BOUCHON ETANCHEMENT	VERSCHLUSS	ENCHUFE DE SELLADO	RÖRPROPP	TAPPO DI TENUTA
SEALING WASHER	AFDICHTINGSSCHIJF	RONDELLE D'ETANCHEITE	DICHTUNGSSCHEIBE	ARANDELA OBTURADORA	TÄTNINGSBRICKA	RONDELLA ISOLANTE
SEARCH LIGHT	ZOEKLICHT	FAISCEAU LUMINEUX	SCHENWERFER	LUZ DE BÚSQUEDA	SÖKARLYKTA	LUCE DI CONTROLLO
SEAT	ZITTING	SIÈGE	SITZ	ASIENTO	SÅTE	SEDE
SEE FOOTNOTE	ZIE VOETNOT	VOIR NOTE	SIEHE FUSSNOTE	VÉASE NOTA AL PIE	SE FOTNOT	VEDERE NOTA A FONDO PAGINA
SELECTOR SWITCH	KEUZESCHAKELAAR	SELECTEUR	WAHLSCHALTER	SELECTOR	VÄLJARE	INTERRUPTORE DI SELEZIONE
SENDING UNIT	RELAISBLOK	BLOC DE RELAIS	RELAISBLOCK,SENDEEINHEIT	RELÉ DE RELÉ	RELÄBLOCK	UNITÀ TRASMETTENTE
SENSOR	SENSOR	DETECTEUR	FÜHLER	SENSOR	GIVARE	SENSORE
SEPARATOR	AFSCHEIDER	SEPARATEUR	SEPARAIDER	SEPARADOR	AVSKILJARE	SEPARATORE
SEPARATOR ELEMENT	ELEMENT AFSCHEIDER	ELEMENT DE SEPARATEUR	SEPARATORELEMENT	ELEMENTO SEPARADOR	AVSKILJARELEMENT	ELEMENTO SEPARATORE
SEQUENCE SELECTOR	PROGR. SCHAKELAAR	SELECTEUR DE SEQUENCE	FOLGESCHALTER	SELECT. DE SECUENCIA	SEKVENSVÄLJARE	SELETORE DI SEQUENZA
SERTO COUPLING	SERTOKOPPELING	ACCOUPEMENT SERTO	SERTO KUPPLUNG	ACOPLAMIENTO SERTO	SERTOKOPPLING	SERTO SERTO
SERVICE KIT	SERVICE KIT	KIT D'ENTRETIEN	SERVICE KIT	KIT DE SERVICIO	SERVICE KIT	KIT DI MANUTENZIONE
SERVICE PAK	SERVICE PAK	PAQUET D'ENTRETIEN	SERVICESATZ	PAQUETE DE SERVICIO	SERVICEPAKET	PACCO DI ASSISTENZA
SERVICE PLATE	ONDERHOUDSPLAAT	PLAQUE D'ENTRETIEN	SERVICEPLATTE	PLACA DE SERVICIO	SERVICEPLÅT	PIASTRA DI ASSISTENZA
SERVICE STAGE	ELEMENT	ELEMENT D'ENTRETIEN	ELEMENT	ETAPA DE SERVICIO	ELEMENT	STADIO DI SERVIZIO
SET	SET	JEU	SATZ	JUEGO	SATS	SERIE
SET SCREW	STELSCHROEF	VIS DE REGLAGE	STELLSCHRAUBE	TORNILLO DE AJUSTE	STÅLLSKRUV	VITE DI FERMO
SHACKLE	BEUGEL	ETRIER	BÜGEL	GRILLETE	BYGEL	ANELLO DI TRAZIONE
SHAFT	AS	ARBRE	WELLE	EJE	AXEL	ALBERO
SHAFT CENTRE	CENTERPUNT	CENTRE DE L'ARBRE	WELLENMITTE	CENTRO DEL ESTATOR	AXELMITT	CENTRO DELL'ALBERO
SHEET	VEL	PLAQUE, FEUILLE	PLATTE	HOJA	BLAD	LAMIERA
SHELL	SCHAAL	ENVELOPPE	GEHÄUSE	REVESTIMIENTO	HÖLJE	GUSCIO
SHIELD	AFSCHERMING	PROTECTION	ABSCHIRMUNG	PROTECCIÓN	SKYDD	PROTEZIONE
SHIM	VULRING	CALE	BEILAGE	CUÑA	MELLANLÄGG	SPESORE
SHIM RING	VULRING	ANNEAU DE CALAGE	BEILEGERING/PASSSCHEIBE	ANILLO DE RELLENO	MELLANLÄGGRING	ANELLO DI SPESORE
SHOCK ABSORBER	SCHOKDEMPEER	PARÉ-CHOC	STOSSDÄMPFER	AMORTIGUADOR	STÖTDÄMPARE	AMMORTIZZATORE
SHOE	SCHOEN	SABOT	SCHUH	ZAPATA	SKO	GANASCIA
SHORTBLOCK	SHORTBLOCK	BLOC	KÜRZER BLOCK	BLOQUE CORTO	KORTBLOCK	BASAMENTO MANCANTE
SHRINKING HOSE	KRIMPSLANG	FLEXIBLE DE RETRAIT	SCHRUMPFSCHLAUCH	TUBODEBMANGADOENCALENTE	KRYMPSLANG	TUBO FLESSIBILE DI RITIRO
SHROUD	BESCHERMHOES	HOUSSE	SCHUTZHAUBE	REFUERZO	SKYDD	RIPARO
SHUT DOWN DEVICE	AFSCHAKELAPPARAAT	DISPOSITIF D'ARRET	ABSCHALTER	DISPOSITIVO DE APAGADO	AVSTÄNGNINGSANORDNING	DISPOSITIVO DI ARRESTO
SHUT DOWN LEVER	AFSCHAKELHEFBOOM	LEVIER D'ARRET	ABSCHALTHEBEL	PALANCA DE APAGADO	AVSTÄNGNINGSSPAK	LEVA DI ARRESTO
SHUT-OFF VALVE	AFSLUITER	VANNE D'ARRÊT	ABSPERRVENTIL	VÁLVULA DE CIERRE	AVSTÄNGN. VENT.	VALVOLA DI ARRESTO
SHUTTLE VALVE	KEUZEKLEP	VANNE SELECTRICE	WECHSELVENTIL	VÁLV. LANZADERA	SKYTTVENTIL	VALVOLA ALTERNATRICE
SIDE DOOR	ZIJDEUR	PORTE LATÉRALE	SEITENTÜR	PUERTA LATERAL	SIDODÖRR	PORTA LATERALE
SIDE DUCT	ZIJKANAAL	TUYAU LATÉRAL	SEITENLEITUNG	CONDUCTO LATERAL	SIDOKANAL	CONDOTTO LATERALE
SIDE PANEL	ZIJPANEEL	PANNEAU LATÉRAL	SEITENWAND	PANEL LATERAL	SIDOPANEL	PANNELLO LATERALE
SIDE PART	ZIJDEEL	PIECE LATÉRALE	SEITENTEIL	PIEZA LATERAL	SIDDEL	PARTE LATERALE
SIDE PLATE	ZIJPLAAT	PLAQUE LATÉRALE	SEITENPLATTE	PLACA LATERAL	SIDOPLÅT	PIASTRA LATERALE
SIDE WALL	ZIJWAND	PAROI	SEITENWAND	PARED LATERAL	SIDOVÄGG	MURO LATERALE
SIGHT GLASS	KIJKGLAS	CUVETTE	SCHAUGLAS	MIRILLA	SYNGLAS	VETRO SPIA
SIGNAL LAMP	GETUGELAMP	VOYANT TÊMOIN	SIGNALLAMPE	LÁMPARA DE SEÑALIZ.	SIGNALLAMPA	SIGNALIZZATORE
SILENCER	GELUIDDEMPEER	SILENCIEUX	SCHALLDÄMPFER	SILENCIADOR	LJUDDÄMPARE	SILENZIATORE
SILENCER INSERT	INZETSTUK GELUIDDEMPEER	INSERTION DE SILENCIEUX	SCHALLDÄMPUNGSEINSATZ	INSERTO DE SILENCIADOR	LJUDDÄMPARINSATS	INSERTO SILENZIATORE
SILENCING FOAM	GELUIDDEMPEND SCHUIM	MOUSSE INSONORISANTE	SCHALLD. SCHAUM	ESPUMA SILENC.	LJUDD. SKUM	SCHUMA FONOSSORBENTE
SILENCING HOOD	GELUIDDEMPEND DEKSEL	CHAPEAU DE SILENCIEUX	SCHALLDÄMPUNG	CAPÓ SILENCIADOR	LJUDDÄMPARHUV	CAPPA DI SILENZIAMENTO
SILENCING KIT	GELUIDDEMPINGSSET	JEU DE SILENCIEUX	SCHALLD.-SATZ	KIT SILENCIADOR.	LJUDD.SATS	KIT PER IL SILENZIAMENTO

ENGLISH	NORSK	DANSK	ΕΛΛΗΝΙΚΑ	PORTUGUÊS	SUOMI
ROD CONNECTION	RÅDETILKOPLING	STANGTILKOBLING	ΣΥΝΔΕΣΗ ΡΑΒΔΟΥ	UNIÃO DA HASTE	TANKOLITOS
ROD EYE	RÅDEØYE	STANGØIE	ΛΑΚΤΥΛΙΟΣ ΡΑΒΔΟΥ	OLHAL DA HASTE	TANGON SILMUKKA
ROLLER	RULL	RULLE	ΡΑΟΥΛΟ, ΚΥΛΙΝΔΡΟΣ	ROLO	RULLA
ROLLER BEARING	RULLEMEMBRAN	RULLELEIE	ΣΦΑΙΡΙΚΟ ΡΟΥΛΕΜΑΝ	ROLAMENTO ESFÉRICO	RULLALAAKERI
ROOF	TAK	TAG	ΟΡΟΦΗ	TELHADO	KATTO
ROTATING DIODE BRIDGE	DREIBAR DIODEBRO	ROTARENDE DIODEBRO	ΠΕΡΙΣΤΡΕΦΟΜΕΝΗ ΓΕΦΥΡΑ ΔΙΟΔΟΥ	PONTE DE DIODOS ROTATIVA	PYÖRIVÄ DIODISILTA
ROTATION ARROW	ROTASJONSPIL	ROTATIONSPIL	ΒΕΛΟΣ ΠΕΡΙΣΤΡΟΦΗΣ	SETA DE ROTAÇÃO	PYÖRIMISSUUNTAUOUI
ROTOR	ROTOR	ROTOR	ΡΟΤΟΡΑΣ, ΣΤΡΟΦΕΙΟ	ROTOR	ROOTTORI
ROTOR HOUSING	ROTORHUS	ROTORHUS	ΚΕΛΥΦΟΣ ΣΤΡΟΦΕΙΟΥ	CARÇA DO ROTOR	ROOTTORIKOTELLO
ROTOR SET	ROTORSETT	ROTORSET	ΣΕΙΡΑ ΕΞΑΡΤΗΜΑΤΩΝ ΣΤΡΟΦΕΙΟΥ	CONJUNTO DO ROTOR	ROOTTORISARIA
ROUND BAR	RUND STANG	RUND STANG	ΣΤΡΟΓΓΥΑΗ ΜΠΑΡΑ	VARÃO DE FERRO	TANKO
RUBBER	GUMMI	GUMMI	ΕΛΑΣΤΙΚΟ	BORRACHA	KUMI
RULER	LINJAL	LINEAL	ΚΑΝΟΝΑΣ	RÉGUA	VIIVAIN
RUN CAPACITOR	SALSTYKKEBOSS	DRIFTSKONDENSATOR	ΗΥΚΝΩΤΗΣ ΡΟΗΣ	CONDENSADOR DE SERVIÇO	KÄYNTIKONDENSAATTORI

S

SAFETY CABLE	SIKKERHETSKABEL	SIKKERHEDSKABEL	ΚΑΛΩΔΙΟ ΑΣΦΑΛΕΙΑΣ	CABO DE SEGURANÇA	TURVAKAAPPELI
SAFETY CARTRIDGE	SIKKERHETSPATRON	SIKKERHEDSPATRON	ΑΣΦΑΛΕΙΑ	CARTUCHO DE SEGURANÇA	VARMUUSPATRUUNA
SAFETY CONTROL	SIKKERHETSKONTROLL	SIKKERHEDSKONTROL	ΣΥΣΤΗΜΑ ΕΛΕΓΧΟΥ ΑΣΦΑΛΕΙΑΣ	COMANDO DE SEGURANÇA	TURVAJÄRJESTELMÄ
SAFETY ELEMENT	SIKKERHETSSELEMENT	SIKKERHEDSELEMENT	ΣΤΟΙΧΕΙΟ ΑΣΦΑΛΕΙΑΣ	ELEMENTO DE SEGURANÇA	TURVALAITE
SAFETY FILTER ELEMENT	SIKKERHETSFILTERELEMENT	SIKKERHEDSFILTERELEMENT	ΣΤΟΙΧΕΙΟ ΦΙΛΤΡΟΥ ΑΣΦΑΛΕΙΑΣ	ELEMENTO DO FILTRO DE SEGURANÇA	SUODATTIMEN VARMUUSPATRUUNA
SAFETY LABEL	SIKKERHETSMERKE	SIKKERHEDSLABEL	ΠΙΝΑΚΙΔΑ ΑΣΦΑΛΕΙΑΣ	ETIQUETA DE SEGURANÇA	TURVAKILPI
SAFETY PRECAUTIONS	SIKKERHETSREGLER	SIKKERHEDSFORSKRIFTER	ΜΕΤΡΑ ΑΣΦΑΛΕΙΑΣ	PRECAUÇÕES DE SEGURANÇA	TURVATOIMET
SAFETY RELAY	SIKKERHETSRELÆ	SIKKERHEDSRELÆ	ΡΕΛΕ ΑΣΦΑΛΕΙΑΣ	RELÉ DE SEGURANÇA	TURVARELE
SAFETY VALVE	SIKKERHETSVENTIL	SIKKERHEDSVENTIL	ΒΑΛΒΙΔΑ ΑΣΦΑΛΕΙΑΣ	VÁLVULA DE SEGURANÇA	VAROVENTTILI
SAFETY WALK	SIKKERHETSPOSE	SIKKERHEDSSTI	ΠΟΡΕΙΑ ΑΣΦΑΛΕΙΑΣ	REVESTIMENTO ANTIDERRAPANTE	LIUKASTUMISSUOJA
SCAVENGE LINE	UTLUFTINGSLINIE	SKYLLELUFTLEDNINGRETURLEDNING	ΣΩΛΗΝΑΣ ΑΚΑΘΑΡΤΩΝ	LINHA DE RETORNO	PALUJUOHTO
SCAVENGE PIPE	UTLUFTINGSRØR	UDLUFTINGSRØR	ΣΩΛΗΝΑΣ ΑΚΑΘΑΡΤΩΝ	TUBO DE LIMPEZA	PALUJUOHTO
SCRAPER BOLT	SKRAPERBOLT	SKRABERBOLT	ΚΟΧΛΙΑΣ ΑΠΙΘΕΣΗΣ	PARAFUSO RASCADOR	KAAVINPULTTI
SCRAPER RING	SKRAPERING	SKRABERRING	ΛΑΚΤΥΛΙΟΣ ΑΠΙΘΕΣΗΣ	ANEL DE SEGMENTO	KAAVINRENGAS
SCREEN	GITTER	SKJERM	ΠΑΡΑΠΙΣΤΑΣΜΑ	ECRAN	SUOJAVERKKO
SCREW	SKRUE	SKRUE	ΚΟΧΛΙΑΣ	PARAFUSO	RUUVI
SCREW COUPLING	SKRUEKOPLING	SKRUESAML	ΣΥΝΔΕΣΜΟΣ ΚΟΧΛΙΑΣ	ACOPLAMENTO ROSCADO	RUUVILIITIN
SCREW DRIVER	SKRUTREKKER	SKRUTREKKER	ΚΑΤΣΑΒΙΑ	CHAVE DE PARAFUSOS	RUUVITALTTA
SCREW HEXAGON HEAD	SEKSKANTSKRUE	SEKSKANTSKRUE	ΕΞΑΓΩΝΙΚΟΣ ΚΟΧΛΙΑΣ	PARAFUSO DE CABEÇA SEXTAVADA	KUUSIORUUVI
SCREWED FLANGE	SKRUFLENS	SKRUEFLANGE	ΒΙΑΩΤΗ ΦΛΑΝΤΖΑ	FLANGE ROSCADA	RUUVILAIPPA
SCREWED STUD	SKRUPINNE	STIFTSKRUE	ΒΙΑΩΤΟ ΜΠΟΥΛΟΝΙ	REBITE ROSCADO	YHDYSRUUVI
SEAL	TETNING	PAKNING	ΣΤΕΓΑΝΩΣΗ	JUNTA DE VEDAÇÃO	TIVISTE
SEAL CORD	TETNINGSSNOR	TÆTNINGSTRÅD	ΚΑΛΩΔΙΟ ΣΤΕΓΑΝΩΣΗΣ	CORDÃO DE VEDAÇÃO	TIVISTENUORA
SEAL DISC	TETNINGSSKIVE	TÆTNINGSSKIVE	ΔΕΚΟΣ ΣΤΕΓΑΝΩΣΗΣ	DISCO DE VEDAÇÃO	TIVISTEKIEKKO
SEAL FRAME	TETNINGSRAMME	TÆTNINGSRAMME	ΠΛΑΣΤΙΟ ΣΤΕΓΑΝΩΣΗΣ	QUADRO DE VEDAÇÃO	TIVISTEKEHYS
SEAL HOUSING	TETNINGSHUS	TÆTNINGSHUS	ΚΕΛΥΦΟΣ ΣΤΕΓΑΝΩΣΗΣ	CAIXA DE VEDAÇÃO	TIVISTEKOTELLO
SEAL NILOS	TETNINGSSKROK	TÆTNINGSSKROG	ΒΑΘΜΙΑ ΣΤΕΓΑΝΩΣΗΣ	"NILOS" DE VEDAÇÃO	NILOS-TIVISTE
SEAL PANEL	TETNINGSPANEL	TÆTNINGSPANEL	ΚΑΛΥΜΜΑ ΣΤΕΓΑΝΩΣΗΣ	PAINEL DE VEDAÇÃO	TIVISTYSPANEELI
SEAL PLATE	TETNINGSPLADE	TÆTNINGSPLADE	ΠΛΑΚΑ ΣΤΕΓΑΝΩΣΗΣ	PLACA DE VEDAÇÃO	TIVISTYSLLEVY
SEAL PROFILE	TETNINGSPROFIL	TÆTNINGSPROFIL	ΣΤΕΓΑΝΩΤΙΚΟ ΕΞΑΡΤΗΜΑ	PERFIL DE VEDAÇÃO	TIVISTYSPROFILII
SEAL RETAINER	TETNINGSHOLDER	TÆTNINGSHOLDER	ΣΥΤΡΑΦΗΤΗΡΑΣ ΣΤΕΓΑΝΩΣΗΣ	RETENTOR DA JUNTA DE VEDAÇÃO	TIVISTEEN PIDIN
SEAL RING	TETNINGSRING	TÆTNINGSRING	ΛΑΚΤΥΛΙΟΣ ΣΤΕΓΑΝΩΣΗΣ	ANEL DE VEDAÇÃO	TIVISTERENGAS
SEAL SECTOR	TETNINGSEKTOR	TÆTNINGSOMRÅDE	ΤΟΜΕΑΣ ΣΤΕΓΑΝΩΣΗΣ	SECTOR DA JUNTA DE VEDAÇÃO	TIVISTYSPINTA
SEAL STRIP	TETNINGSHUS	TÆTNINGSBÅND	ΤΑΙΝΙΑ ΣΤΕΓΑΝΩΣΗΣ	TIRA DE VEDAÇÃO	TIVISTENAUHA
SEAL WASHER	TETNINGSSKIVE	TÆTNINGSSPÆNDESKIVE	ΡΟΛΕΛΑ ΣΤΕΓΑΝΩΣΗΣ	ANILHA DA JUNTA DE VEDAÇÃO	TIVISTYSLAATTA
SEALING	TETNINGSBOKS	TÆTNING	ΣΤΕΓΑΝΩΤΙΚΟ	VEDAÇÃO	TIVISTE
SEALING COMPOUND	TETNINGSMASSE	TÆTNINGSMASSE	ΣΤΕΓΑΝΩΤΙΚΟ ΜΙΓΜΑ	MASSA DE VEDAÇÃO	TIVISTYSMASSA
SEALING PLUG	TETNINGSPUGG	TÆTNINGSPROP	ΠΩΜΑ ΣΤΕΓΑΝΩΣΗΣ	TOMADA DE VEDAÇÃO	TIVISTYSTULPPA
SEALING WASHER	TETNINGSSKIVE	TÆTNINGSSPÆNDESKIVE	ΣΤΕΓΑΝΩΤΙΚΗ ΡΟΛΕΛΑ	ANILHA DE VEDAÇÃO	TIVISTYSLLEVY
SEARCH LIGHT	SØKELYS	SØGELYS	ΠΡΟΒΟΛΕΑΣ ΑΝΑΖΗΤΗΣΗΣ	HOLOFOTE	VALONHEITIN
SEAT	SETE	SÆDE	ΕΔΡΑ	ASSENTO	ISTUKKA
SEE FOOTNOTE	VELGER	SE FODNOTE	ΔΕΙΤΕ ΥΠΟΣΗΜΕΙΩΣΗ	VER NOTA DE RODAPÉ	KATSO ALAVIITE
SELECTOR SWITCH	BRYTER	OMSKIFTERKONTAKT	ΔΙΑΚΟΠΤΗΣ ΕΠΙΛΟΓΕΑΣ	COMUTADOR	VALINTAKYTKIN
SENDING UNIT	RELÉBLOKK	RELEENHED	ΜΟΝΑΔΑ ΕΚΠΟΜΠΗΣ	UNIDADE TRANSMISSORA	LÄHETINYKSIKKÖ
SENSOR	SENSORBRYTER	FØLER	ΑΙΣΘΗΤΗΡΑΣ	SENSOR	ANTURI
SEPARATOR	SEPARATOR	SEPARATOR	ΔΙΑΧΩΡΙΣΤΗΡΑΣ	SEPARADOR	EROTIN
SEPARATOR ELEMENT	SEPARATOROLEMENT	SEPARATOROLEMENT	ΣΤΟΙΧΕΙΟ ΔΙΑΧΩΡΙΣΤΗΡΑ	ELEMENTO DO CENTRIFUGADOR	EROTTIMEN PATRUUNA
SEQUENCE SELECTOR	SERIELT TILKOPLINGSSETT	SEKVENSVÆLGER	ΕΠΙΛΟΓΕΑΣ ΕΝΑΛΛΑΓΗΣ	SELECTOR DE SEQUÊNCIA	VAIHEENVALITSIN
SERTO COUPLING	SERTO-KOPLING	SERTOKOBLING	ΣΥΝΔΕΣΜΟΣ SERTO	ACOPLAMENTO "SERTO"	SERTO-KYTKIN
SERVICE KIT	SERVICEST	SERVICEST	ΣΥΝΟΛΟ ΕΞΑΡΤΗΜΑΤΩΝ ΓΙΑ ΤΗ ΣΥΝΤΗΡΗΣΗ	JOGO DE MANUTENÇÃO	KORJAUSSARIA
SERVICE PAK	SERVICEPAKKE	SERVICEPAKKE	ΠΑΚΕΤΟ ΣΥΝΤΗΡΗΣΗΣ	PACOTE DE MANUTENÇÃO	KORJAUSSARIA
SERVICE PLATE	SERVICEPLATE	SERVICEPLADE	ΠΙΝΑΚΙΔΑ ΣΥΝΤΗΡΗΣΗΣ	PLACA DE MANUTENÇÃO	HUOLITOKILPI
SERVICE STAGE	VEDLIKEHOLDSPUNKT	ELEMENT	ΕΠΙΠΛΕΟ ΥΠΗΡΕΣΙΩΝ	ESTRADO DE MANUTENÇÃO	KOMPRESSORILEMENTTI
SET	SETT	SÆT	ΡΥΘΜΙΣΤΙΚΟ	JOGO	SARJA
SET SCREW	STOPPESKRUE	STILLESKRUE	ΡΥΘΜΙΣΤΙΚΟΣ ΚΟΧΛΙΑΣ	PARAFUSO DE AFINAÇÃO	ASESTUSRUUVI
SHACKLE	BØYLE	BØILE	ΚΡΗΚΟΣ	MANILHA DE ENGATE	KIINNITYSHAKA
SHAFT	AKSEL	AKSEL	ΑΞΟΝΑΣ	VEIO	AKSELI
SHAFT CENTRE	SKIVE	AKSELCENTER	ΚΕΝΤΡΙΚΟΣ ΑΞΟΝΑΣ	CENTRO DO VEIO	KESKIPISTE
SHEET	ARK	ARK	ΦΥΛΛΟ	CHAPA	LEVY
SHELL	MANTEL	KAPPE	ΚΕΛΥΦΟΣ	CAPA	MALJA
SHIELD	VERN	SKJOLD	ΣΤΕΓΑΣΤΡΟ	BLINDAGEM	SUOJUS
SHIM	SKIVE	MELLEMLÆGSPLADE	ΕΝΔΙΑΜΕΣΟ ΠΕΡΙΒΑΗΜΑ	CALÇO	SOVITELVY
SHIM RING	SKIVERING	MELLEMLÆGSRING	ΕΝΔΙΑΜΕΣΟΣ ΛΑΚΤΥΛΙΟΣ	ANEL DE ENCHIMENTO	SOVITERENGAS
SHOCK ABSORBER	STØTRING	STØDDÆMPER	ΑΠΙΘΕΣΤΗΡΑΣ ΚΡΟΥΣΗΣ	AMORTECEDOR	ISKUNVAIMENNIN
SHOE	SKO	SKO	ΣΙΑΓΟΝΑ	PASTILHA	KAAPELIKENKÄ
SHORTBLOCK	GENERATOR OG GIR	GENERATOR OG GEAR	TAKAKI	BLOCO DE DADOS CURTO	KOMPRESSORIKÄYTTÖKONEISTOKOKONAUSLU
SHRINKING HOSE	KRYMPESLANGE	KRYMPNINGSSLANG	ΕΛΑΣΤΙΚΟΣ ΣΩΛΗΝΑΣ ΚΑΤΑΙΟΝΙΣΜΟΥ	MANGUEIRA DE ENCAIXE A QUENTE	KUTISTEHOLKKI
SHROUD	SHUNT-UTLØSERSPILE	BEKLÆDNING	ΥΦΑΣΜΑΤΙΝΟ ΚΑΛΥΜΜΑ	ENVÓLUCRO	KOSKETUSSUOJA
SHUT DOWN DEVICE	STOPANORDNING	STOPANORDNING	ΣΥΣΤΗΜΑ ΔΙΑΚΟΠΗΣ ΔΕΙΤΟΥΡΓΙΑΣ	DISPOSITIVO DE CORTE	PYSÄYTYSLAITE
SHUT DOWN LEVER	STOPPESPAK	STOPGREB	ΜΟΧΛΟΣ ΔΙΑΚΟΠΗΣ ΔΕΙΤΟΥΡΓΙΑΣ	ALAVANCA DE CORTE	PYSÄYTYSVIPU
SHUT-OFF VALVE	AVSTENINGSVENTIL	AFBRYDERVENTIL	ΒΑΛΒΙΔΑ ΑΠΟΦΡΑΞΗΣ	VÁLVULA DE FECHO / CORTE	SULKUVENTTILI
SHUTTLE VALVE	SKYTTELVENTIL	SPÆRREVENTIL	ΒΑΛΒΙΔΑ ΔΙΗΛΗΣ ΕΝΕΡΓΕΙΑΣ	VÁLVULA DE LANÇADEIRA	SUUNTAVENTTILI
SIDE DOOR	SIDEDØR	SIDEDØR	ΠΑΡΑΠΛΗΡΗ ΠΟΡΤΑ	PORTA LATERAL	SIVUOVI
SIDE DUCT	SIDEKANAL	SIDEKANAL	ΠΑΡΕΥΡΙΚΟΣ ΑΓΩΓΟΣ	TUBAGEM LATERAL	SIVUKANAVA
SIDE PANEL	SIDEPANEL	SIDEPANEL	ΠΑΡΕΥΡΙΚΟΣ ΠΙΝΑΚΑΣ	PAINEL LATERAL	SIVUPANEELI
SIDE PART	SIDEDEL	SIDEDEL	ΠΑΡΕΥΡΙΚΟ ΤΜΗΜΑ	PEÇA LATERAL	SIVUOSA
SIDE PLATE	SIDELOPEHUJUL	SIDEPLADE	ΠΑΡΕΥΡΙΚΟ ΕΛΑΣΜΑ	PLACA LATERAL	SIVULEVY
SIDE WALL	SIDEVEGG	SIDEVÆG	ΠΑΡΕΥΡΙΚΟ ΤΟΙΧΩΜΑ	PARDE LATERAL	SIVUSEINÄ
SIGHT GLASS	SIGNALGENERATOR	OBSERVATIONSRUDE	ΓΥΑΛΙΝΟ ΟΡΑΣΗΣ	JANELA DE INSPECÇÃO	TARKASTUSLASI
SIGNAL LAMP	VARSSELLAMPE	SIGNALLAMPE	ΛΑΜΠΑ ΣΗΜΑΤΩΝ	LÂMPADA DE SINALIZAÇÃO	MERKKILAMPPI
SILENCER	LYDDEMPER	LYDDEMPER	ΣΙΓΑΣΤΗΡΑΣ	SILENCIADOR	ÄÄNENVAIMENNIN
SILENCER INSERT	LYDDEMPERINNSATS	LYDDEMPERINNSATS	ΠΑΡΕΜΒΑΣΜΑ ΣΙΓΑΣΤΗΡΑ	INSERÇÃO DO SILENCIADOR	ÄÄNENVAIMENTINEN SISÄKAPPALE
SILENCING FOAM	LYDDEMPESKUM	SKUMLYDDEMPER	ΑΦΡΟΣ ΗΧΟΠΡΟΣΤΑΣΙΑΣ	ESPUMA SILENCIADORA	ERISTYSTYVAIHTO

ENGLISH	NEDERLANDS	FRANCAIS	DEUTSCH	ESPAÑOL	SVENSKA	ITALIANO
SITEGLASS	PEILGLAS	VERRE LATERAL	BAUGLAS	VIDRIO DE OBRA	SYNGLAS (=SIGHTGLASS?)	VETRO IN OPERA
SKATE	ROLSTEUEN	SUPPORT ROULANT	ROLLTRÄGER/GLEITSTÜCK	PATÍN	RULLHÅLLARE	PATTINO
SKID	BALKRAAM	CHÂSSIS-SKID	SCHLITTEN	CALZO	BALKRAM	PATTINO
SLEEVE	KLEMRING	MANCHON	MUFFE	MANGUITO	HYLSA	MANICOTTO
SLEEVE BEARING	KLEMRING V. LAGER	ROULEMENT DE MANCHON	UNGETEILTES RINGLAGER	COJINETE DEL MANGUITO	HYLSLAGER	MANICOTTO DEL CUSCINETTO
SLIDE	GLUBAAN	GLISSIÈRE	GLEITSCIENE	CORREDERA	SPÄNNLINIAL	SLITTA
SLIDE RAIL	GLUBAAN	GLISSIÈRE	GLEITSCIENE	CORREDERA	SPÄNNLINIAL	GLIDA PER SLITTA
SLIDING DOOR	SCHUIFDEUR	PORTE COULISSANTE	SCHIEBETÜR	PUERTA CORREDIZA	SKJUTLUCKA	PORTA SCORREVOLE
SLING	SLINGER	CORDON	SCHLINGE	ESLINGA	SLINGA	INBRAGATURA
SNAP RING	KNIPRING	BAGUE A RESSORT	SPRENGRING	ANILLO DE RESORTE	LÄSRING	ANELLO ELASTICO PER INTERNI
SOCKET	MOF	DOUILLE	HÜLSE	BASE DE ENCHUFE	HYLSA	PRESA
SOCKET OUTLET	STOPCONTACT	DOUILLE DE SORTIE	STECKDOSE	SALIDA DE ENCHUFES	UTTAG	USCITA DELLA PRESA
SOCKET PANEL	PANEEL M. STOPCONTACTEN	PANNEAU DE DOUILLE	BUCHSENLEISTE	PANEL DE ENCHUFES	UTTAGSPANEL	PANNELLO DELLA PRESA
SOCKET PLATE	PLAAT V. STOPCONTACT	PLAQUE DOUILLE	BUCHSENLEISTE	PLACA DE ENCHUFES	HYLSPLÅT	PIASTRA DELLA PRESA
SOCKET PLUG	MOFPLUG	BOUCHON	HÜLSENSTÖPFSEL	ENCHUFE	INSEXPLOPP	SPINA PER PRESA
SOLDERING CONN.	VERBINDING	CONNEXION	LÖTVERBINDUNG	CONEXIÓN SOLDADA	ANSLUTNING	COLLEGAMENTO SALDATO
SOLENOID	MAGNEET	SOLENOIDE	ELEKTROMAGNET	SOLENOIDE	SOLENOID	SOLENOIDE
SOLENOID VALVE	MAGNEETVENTIEL	ELECTROVALVE	ELECTROVENTIL	VÁLVULA SOLENOIDE	MAGNETVENTIL	ELETTROVALVOLA
SPACER	AFSTANDSTUK	ENTRETOISE	ABSTANDSTÜCK	ESPACIADOR	DISTANSSTYCKE	DISTANZIATORE
SPACER (HINGE)	AFSTANDSSTUK (SCHARNIER)	ENTRETOISE (CHARNIERE)	ABSTANDSSTÜCK (SCHARNIER)	ESPACIADOR (PERNO)	(GÅNGJÄRN) DISTANSSTYCKE	CERNIERA DEL DISTANZIATORE
SPACER PLATE	AFSTANDSPLAAT	PLAQUE D'ESPACEMENT	DISTANZBLECH	PLACA DE ESPACIADOR	DISTANSPLATTA	PIASTRA DISTANZIATRICE
SPACER TUBE	AFSTANDSPJIP	TUYAU D'ESPACEMENT	DISTANZROHR	TUBO DE ESPACIADOR	DISTANSRÖR	TUBO DISTANZIATORE
SPACING PIPE	AFSTANDSPJIP	TUYAU D'ESPACEMENT	ABSTANDSROHR	TUBO ESPACIADOR	AVSTÄNSRÖR	TUBO DISTANZIATORE
SPARE PARTS LIST	ONDERDELENLIJST	LISTE DES PIÈCES DE RECH.	ERSATZTEILLISTE	LISTA DE PIEZAS DE RECAMBIO	RESERVDJELIISTA	ELENCO DELLE PARTI DI RICAMBIO
SPARK ARRESTOR	VONKDOVER	ARRETOIR D'ÉTINCELLES	FUNKENFÄNGER	AMORTIGUADOR DE CHISPAS	GNISTFÄNGARE	PARASCINTILLE
SPEED PICK-UP	SNELHEIDSPNEMER	MESURE DE VITESSE	GESCHWINDIGKEITSAUFNAHME	TOMA DE VELOCIDAD	HASTIGHETS MÄTARE	ACCELERAZIONE DI VELOCITÀ
SPEED REGULATOR	SNELHEIDSGELAAR	REGULATEUR DE VITESSE	DREHZAHNREGLER	REGULADOR DE VELOC.	VARVÅLTSREGULATOR	REGOLATORE DI VELOCITÀ
SPEED SWITCH	SNELHEIDSSCHAKELAAR	COMMUTATEUR DE VITESSE	DREHZAHLSCHALTER	INTERRUPTOR DE VELOCIDAD	HASTIGHETS BRYTARE	INTERRUTTORE DI VELOCITÀ
SPHERICAL WASHER	ONDERLEGPLAATJE	RONDELLE CUVETTE	UNTERLEGSCHLEIBE	ARANDELA	SFÄRISK BRICKA	RONDELLA A SEDE SFERICA
SPINDLE	SPIJL	BROCHE	SPINDEL	EJE	SPINDEL	MANDRINO
SPLIT COTTERPIN	SPLITPEN	GOUPILLE FENDUE	SPLINT	CHAVETA HENDIDA	SAXSPRINT	COPIGLIA
SPLIT PIN	SPLITPEN	GOUPILLE FENDUE	SPLINT	PASADOR HENDIDO	SAXPINNE	COPIGLIA
SPLITTER	SPLITPEN	DISPOSITIF DE SCISSION	VERTEILER	SEPARADOR	BRYTLINJE	SDOPPIATORE
SPRING	VEER	RESSORT	FEDER	RESORTE	FJÄDER	MOLLA
SPRING CLIP	VEERCLIP	ATTACHE A RESSORT	FEDERKLAMMER	ABRAZADERA DE RESORTE	FJÄDERKLÄMMA	CONNETTORE A MOLLA
SPRING CONTACT	VEERCONTACT	CONTACT A RESSORT	FEDERKONTAKT	CONTACTO DE RESORTE	FJÄDERKONTAKT	CONTATTO A MOLLA
SPRING COVER	VEERDEKSEL	COUVERTURE DE RESSORT	FEDERABDECKUNG	CUBIERTA DE RESORTE	FJÄDERHUV	COPERCHIO A MOLLA
SPRING GUIDE	VEERGELEIDER	GUIDE-RESSORT	GLEITFEDER	GUÍA DE RESORTE	FJÄDERSTYRNING	GUIDA DELLA MOLLA
SPRING HOLDER	VEERHOUDER	PORTE-RESSORT	FEDERHALTER	SOPORTE DE RESORTE	FJÄDERHÅLLARE	SUPPORTO A MOLLA
SPRING HOUSING	VEERHUIS	BÔTIER RESSORT	FEDERGEHÄUSE	CAJA DE RESORTE	FJÄDERHUIS	ALLOGGIAMENTO DELLA MOLLA
SPRING LOCK	VEERSLUITING	VERROUILLAGE DE RESSORT	FEDERSCHLOSS	BLOQUEO DE RESORTE	FJÄDERLÅS	FERMO A MOLLA
SPRING PIN	VEERPEN	GOUPILLE ELASTIQUE	FEDERSTIFT	PASADOR DE RESORTE	FJÄDERTAPP	SPINA ELASTICA
SPRING SEAT	VEERZITTING	SIÈGE DE RESSORT	FEDERAUFLAGE	ASIENTO DE RESORTE	FJÄDERSÄTE	SEDE DELLA MOLLA
SPRING WASHER	VEERPLAATJE	RONDELLE A RESSORT	FEDERRING	ARANDELA DE RESORTE	FJÄDERBRICKA	RONDELLA ELASTICA
SPRING WAVE	GOLVENDE VEER	ONDE A RESSORT	FEDERWELLE	ONDA DE RESORTE	FJÄDERVÅG	ONDA ELASTICA
STAR CONTACTOR	STERCONTACT	CONTACTEUR ETOILE	STERNSCHALTER	CONTACTOR ESTRELLA	STJÄRNKONTAKTOR	CONTATTATORE DI STELLA
START CABLE	STARTKABEL	CABLE DE DEMARRAGE	STARTHILFEKABEL	CABLE DE INICIO	STARTKABEL	CAVO DI AVVIAMENTO
START RELAY	STARTRELAIS	RELAIS DE DEMARRAGE	ANLASSRELAIS	RELÉ DE ARRANQUE	STARTRELÄ	RELÉ DI STELLA
STARTER	STARTER	DEMARREUR	ANLASSER	ARRANCADOR	STARTAPPARAT	AVVIATORE
STARTER MOTOR	STARTMOTOR	MOTEUR DE DEMARRAGE	ANLASSER	MOTOR DE ARRANQUE	STARTMOTOR	MOTORE DI AVVIAMENTO
STARTER RING GEAR	TANDKRANS V. STARTMOTOR	ENGRENAGE DEMARRAGE	ANLASSERTELLERRAD	ENGRANAJE DEL ANILLO INCIADOR	STARTKRONDRÄV	INGR. AD ANELLO PER AVVIATORE
STARTER SWITCH	STARTSCHAKELAAR	COMMUTATEUR DE DEMARRAGE	ANLASSSCHALTER	INTERR. DE ARRANQUE	STARTSTRÖMSTÄLLARE	INTERRUTTORE DI AVVIAMENTO
STATOR	STATOR	STATOR	STATOR	ESTÁTOR	STATOR	STATORE
STAY	SCHOOR	SUPPORT	STÜTZE	TIRANTE	STAG	SOSPENSIONE
STEEL COUPLING	STALEN KOPPELING	RACCORD EN ACIER	STAHLKUPPLUNG	EMPALME DE ACERO	STÅLKOPPLING	GIUNTO IN ACCIAIO
STEEL PIPE	STALEN BUIS	TUYAU EN ACIER	STAHLROHR	TUBERÍA DE ACERO	STÅLRÖR	TUBO IN ACCIAIO
STEEL WOOL	STAALWOL	PAILLE D'ACIER	STAHLWOLLE	VIRUTAS DE ACERO	STÅLULL	LANA D'ACCIAIO
STEER LEVER	STUURHEFBOOM	CHAPEAU	LENKSTOCKHEBEL	PALANCA DE GIRO	STYRSPAK	LEVA DELLO STERZO
STEERING	STUURINRICHTING	LEVIER DE DIRECTION	LENKUNG	DIRECCIÓN	STYRNING	STERZO
STEERING ARM	FUSEE-ARM	DIRECTION	LENKHEBEL	BRAZO DE DIRECCIÓN	STYRARM	BACCIO DI COM. SUL FUSO A SNODO
STEERING FORK	STUURGAFFEL	LEVIER DE DIRECTION	LENKGABEL	HORQUILLA DE DIRECC.	STYRGAFFEL	FORCELLA DELLO STERZO
STEERING ROD	STUURSTANG	BIELLE DE DIRECTION	LENKSTANGE	BIELA DE DIRECCIÓN	STYRSTÅNG	BARRA LONGIT. COMANDO STERZO
STIFFENER	VERSTIJVING	CONTREFORT	VERSTEIFUNG	REFUERZO	FÖRSTYVNING	ELEMENTO DI IRRIGIDIMENTO
STIRRUP	BELUGEL	ETRIER	BÜGEL	ESTRIBO	BYGEL	STAFFA
STOP	AANSLAG	ARRET	ANSCHLAG	PARADA	STOPP	ARRESTO
STOP BLOCK	STOETBLOK	BLOC D'ARRET	ANSCHLAGBLOCK	BLOQUEO DE TOPE	BUFFERTBJÄLKE	BLOCCO D'ARRESTO
STOP CABLE	STOPKABEL	CÂBLE D'ARRET	STOPPEIL	CABLE DE PARADA	STOPPKABEL	CAVO D'ARRESTO
STOP COCK	AFSLUITKRAAN	ROBINET	ABSPERRHAHN	CANILLA DE PARADA	AVSTÄNGNINGSSKRAN	RUBINETTO DI ARRESTO
STOP DEVICE	AANSLAG	DISPOSITIF D'ARRET	ABSPERRVORRICHTUNG	DISPOSITIVO DE PARADA	STOPPANORDNING	DISPOSITIVO DI ARRESTO
STOP PIN	AANSLAGPEN	GOUPILLE D'ARRÊT	HALTESTIFT	CHAVETA DE PARADA	STOPPSPRINT	SPINA DI ARRESTO
STOP RING	AFSLUITRING	ANNEAU D'ARRÊT	ABSPERRING	ANILLO DE CIERRE	STOPPRING	ANELLO D'ARRESTO
STOP SOLENOID	STOPSOLENOIDE	ELECTROVANNE D'ARRÊT	ABSTELLSOLENOID	SOLENOIDE DE PARADA	STOPPMAGNET	SOLENOIDE DI ARRESTO
STOP VALVE	AFSLUITER	VALVE D'ARRÊT	ABSPERRVENTIL	VÁLVULA DE CIERRE	STOPPVENTIL	VALVOLA D'ARRESTO
STRAIGHT PIPE	RECHTE PIJPKOPPELING	TUYAU DROIT	GERADES ROHR	TUBERÍA RECTA	RAKT RÖR	TUBO DIRITTO
STRAIGHT PIPE COUPLING	RECHTE PIJPKOPPELING	RACCORD TUYAU DROIT	GERADE KUPPLUNG	EMPALME DE TUBERÍA RECTA	KOPPLING RAKT RÖR	GIUNTO PER TUBO DIRITTO
STRAINER	ZEEF	TAMIS	SIEB	COLADOR	SIL	FILTRO
STRAP	BAND	COURROIE	BAND	ZUNCHO	FÄSTBAND	REGGETTA
STRETCHER	SPANNER	TENDEUR	SPANNVORRICHTUNG	SENSOR	SPÄNNSKRUV	TENDITORE
STRETCHING BOLT	SPANBOUT	BOULON TENDEUR	SPANNBOLZEN	PERNO SENSOR	SPÄNNBULT	BULLONE TENDITORE
STRIP	STRIP	PLAQUE	STREIFEN	TIRA	BAND	NASTRO
STUB	ASEINDE	PIVOT	ACHSSCHENKEL	CABO	AXELTAPP	MOZZICONE
STUD	TAPEIND	GOÛJON	STEBBOLZEN	ESPÁRRAGO	PINNULT	PRIGIONIERO
STUFFING BOX	PAKKINGBUS	PRESSE-ETOUPPE	STOPFBÜCHSE	PRESAESTOPAS	PACKBOX	PRESMOTOPPA
SUB-FRAME	HULPRAAM	CHASSIS	NEBENRAHMEN	BASTIDOR AUXILIAR	HJÄLPGRAM	SOTTOTELAIO
SUCTION CAP	INLAATHUIS	CHAMBRE D'ASPIRATION	EINLASSKAPPE	CAJA DE ASPIRACIÓN	INLOPPSKÅPA	COPERCHIO DI ASPIRAZIONE
SUCTION CHAMBER	AANZUIGKAMER	CHAMBRE D'ASPIRATION	SAUGRAUM	CÁMARA DE ASPIR.	SUGKAMMARE	CAMERA DI ASPIRAZIONE
SUCTION DISC	INLAATKLEPPLAAT	DISQUE D'ASPIRATION	SAUGVENTILPLATTE	DISCO. VÁLV. ASPIR.	SUGVENTILSKIVA	DISCO DI ASPIRAZIONE
SUCTION DUCT	ZUIGKANAAL	TUYAU D'ASPIRATION	SAUGLEITUNG	CONDUCTO DE SUCCIÓN	SUGKANAL	CONDOTTO DI ASPIRAZIONE
SUCTION END	ZUIGEINDE	EXTREMITÉ ASPIRATION	SAUGAUSLASS	EXTREMO DE SUCCIÓN	SUGÄNDA	ESTREMITÀ DI ASPIRAZIONE
SUCTION PIPE	ZUIGPIJP	TUYAU D'ASPIRATION	SAUGLEITUNG	TUBO DE ASPIRACIÓN	SUGRÖR	TUBO DI ASPIRAZIONE
SUCTION TUBE	ZUIGLEIDING	TUYAU D'ASPIRATION	SAUGROHR	TUBO DE SUCCIÓN	UPPSUGNINGSRÖR	TUBO DI ASPIRAZIONE
SUCTION VALVE	ZUIGKLEP	SOUPAPE D'ASPIRATION	SAUGVENTIL	VÁLV. DE ASPIRACIÓN	SUGVENTIL	VALVOLA DI ASPIRAZIONE
SUPPORT	STUT	SUPPORT	STÜTZE	SOPORTE	STÖD	SUPPORTO
SUPPORTING RING	DRAAGRING	ANNEAU	STÜTZRING	ANILLO DE SOPORTE	STÖDRING	ANELLO DI SUPPORTO
SUPPRESSOR	ONTSTOORDER	CONDENSATEUR	ENTSTÖRKONDENS.	SUPRESOR	STÖRSKYDD	SOPPRESSORE
SURGE ABSORBER	GOLFDEMPER	AMORTISSEUR D'ONDES	WELLENSCHLÜCKER	AMORT. DE ONDAS	VÅGFRONTSKYDD	ASSORBITTORE DI IMPULSI
SWITCH	SCHAKELAAR	INTERRUPTEUR	SCHALTER	INTERRUPTOR	BRYTARE	INTERRUTTORE
SWITCH GUARD	AFSCHERMING V. SCHAKELAAR	PROTEGE-COMMUTATEUR	SCHALTERABDECKUNG	PROTECTOR DEL INTERRUPTOR	BRYTARSKYDD	PROTEZIONE DELL'INTERRUTTORE
SWIVEL WHEEL	ZWENKWIEL	ROUE PIVOTANTE	SCHWENKRAD	RUEDA GIRATORIA	SVÄNGBART HJUL	RUOTA GIREVOLE

ENGLISH	NORSK	DANSK	ΕΛΛΗΝΙΚΑ	PORTUGUÊS	SUOMI
SILENCING HOOD	LYDDEMPERKAPPE	LYDDEMPERKAPPE	ΚΑΛΥΜΜΑ ΣΙΓΑΣΤΗΡΑ	CAPOTA COM SILENCIADOR	ERISTYKANSI
SILENCING KIT	LYDDEMPERSÆT	LYDDEMPERSÆT	ΣΥΝΟΛΟΣΙΓΑΣΤΗΡΑ	JOGO PARA SILENCIADOR	VAIMENNUSSARJA
SITEGLASS	SEGLASS	PEILEGLAS	ΠΑΡΑΘΥΡΑΚΙ	VIDRO COLOCADO NA MONTAGEM	TARKASTUSLASI
SKATE	RULLENDE HOLDER	SLISKE/SKØJTE	ΠΑΤΙΝΙ	PISTA DE ROLAMENTO	VIERINTÄTKI
SKID	SKLARAMME	STØTTEBEN/HÆMSKO	ΠΕΑΜΑ	DESIZADOR	PALKKIRUNKO
SLEEVE	HYLSE	MUFFE	ΧΠΩΝΙΟ, ΠΕΡΙΒΑΗΜΑ	MANGA	HOLKKI
SLEEVE BEARING	HYLSELAGER	GLIDELEJE	ΧΠΩΝΙΟ ΡΟΥΛΕΜΑΝ	ROLAMENTO DA MANGA	HOLKKILAAKERI
SLIDE	SLIDE	SKINNE	ΟΛΙΘΕΉΣΗ	CURSOR	LIUKU
SLIDE RAIL	SPENNSKINNE	STYRESKINNE	ΤΡΟΧΙΑ ΟΛΙΘΕΉΣΗΣ	CALHA DO CURSOR	LIUKUKISKO
SLIDING DOOR	SKYVELUKE	SKYDEDØR	ΣΥΠΟΜΕΝΗ ΠΟΡΤΑ	PORTA DE CORRER	LIUKUOVI
SLING	KRONEMUTTER	BÆREREM	ΑΝΑΡΤΗΡΑΣ	ESTROPO	SILMUKKA
SNAP RING	LÅSERING	LÅSERING	ΔΑΚΤΥΛΙΟΣ ΔΙΑΜΟΡΦΩΣΗΣ	ANEL ELÁSTICO	LUKKORENGAS
SOCKET	HYLSE	STIKKONTAKT	ΑΚΡΟΔΕΚΤΗΣ	TOMADA	HOLKKI
SOCKET OUTLET	HYLSEUTLØP	MUFFEUDLØB	ΥΠΟΔΟΧΗ ΕΞΟΔΟΥ	TOMADA DE ENCAIXE	PISTORASIA
SOCKET PANEL	HYLSEPANEL	MUFFEPANEL	ΠΙΝΑΚΑΣ ΥΠΟΔΟΧΩΝ	PAINEL DE ENCAIXE	LITÄNTÄTAULU
SOCKET PLATE	HYLSEPLATE	MUFFEPLADE	ΠΑΚΑΚΑ ΥΠΟΔΟΧΩΝ	PLACA DE ENCAIXE	PISTORASIALEVY
SOCKET PLUG	PIPE	STIKPROP	ΤΑΠΑ ΑΚΡΟΔΕΚΤΗ	TAMPA DE TOMADA	PISTOKYTKIN
SOLDERING CONN.	TILKOPLING	LODDEFORBINDELSE	ΣΥΤΚΑΛΑΉΣΗ ΣΥΝΔΕΣΗΣ	CONEXÃO PARA SOLDAR	JUOTOSLITIOS
SOLENOID	MAGNETVENTILUTLØSER	ELEKTROMAGNET	ΗΛΕΚΤΡΟΜΑΓΝΗΤΗΣ	SOLENOÍDE	MAGNEETTI
SOLENOID VALVE	MAGNETVENTIL	MAGNETVENTIL	ΗΛΕΚΤΡΟΜΑΓΝΗΤΙΚΗ ΒΑΛΒΙΑ	VÁLVULA ELECTROMAGNÉTICA	MAGNEETTIVENTTILI
SPACER	AVSTANDSSTYKKE	AFSTANDSSTYKKE	ΔΙΑΧΩΡΙΣΤΗΣ, ΔΙΑΧΩΡΙΣΤΙΚΟΣ ΔΑΚΤΥΛΙΟΣ	SEPARADOR	SEPARADOR
SPACER (HINGE)	FØRINGSRING (HENGSEL)	AFSTANDSKIVE (HÆNGSEL)	ΔΙΑΧΩΡΙΣΤΙΚΟΣ ΔΑΚΤΥΛΙΟΣ (ΜΕΝΤΕΣΙ)	SEPARADOR (CHARNEIRA)	VÄLIKKEAPPAL (SARANA)
SPACER PLATE	AVSTANDSPLATE	AFSTANDSPLADE	ΔΙΑΧΩΡΙΣΤΙΚΟ ΕΛΑΣΜΑ	PLACA ESPAÇADORA	VÄLILEVY
SPACER TUBE	AVSTANDSRØR	AFSTANDSRØR	ΔΙΑΧΩΡΙΣΤΙΚΟΣ ΣΩΛΗΝΑΣ	TUBO SEPARADOR	VÄLKEHOLKKI
SPACING PIPE	AVSTANDSRØR	AFSTANDSRØR	ΣΩΛΗΝΑΣ ΑΠΟΣΤΑΣΕΩΣ	TUBO ESPAÇADOR	VÄLKEHOLKKI
SPARE PARTS LIST	RESERVEDELSLISTE	RESERVEDELSLISTE	ΛΙΣΤΑ ΑΝΤΑΛΛΑΚΤΙΚΩΝ	LISTA DE PEÇAS SOBRESSALENTES	VARAOSALUETTELO
SPARK ARRESTOR	GNISTFANGER	GNISTFANGER	ΣΥΛΛΕΚΤΗΡΑΣ ΣΠΙΝΘΗΡΣΜΟΥ	DISP. DE PROTECÇÃO CONTRA FAÍSCAS	KIPINÄNSAMMUTIN
SPEED PICK-UP	ØKNING AV TURTALL	FØRØGELSE AF OMDREJNINGSTAL	ΑΝΥΨΩΤΗΡΑΣ ΤΑΧΥΤΗΤΑΣ	VELOCIDADE DE FUNCIONAMENTO	NOPEUSANTURI
SPEED REGULATOR	TURKTALLSREGULATOR	HASTIGHEDSREGULATOR	ΡΥΘΜΙΣΤΗΣ ΤΑΧΥΤΗΤΑΣ	REGULADOR DE VELOCIDADE	KIERROSLUVUNSAÄDIN
SPEED SWITCH	HASTIGHETSBRYTER	HASTIGHEDSKONTAKT	ΔΙΑΚΟΠΤΗΣ ΤΑΧΥΤΗΤΑΣ	LIMITADOR DE VELOCIDADE	NOPEUSKYTKIN
SPHERICAL WASHER	SFÆRISK SKIVE	KUGLEFORMET SPÆNDESKIVE	ΣΦΑΙΡΙΚΟΣ ΠΑΡΑΚΥΚΛΟΣ	ANILHA ESFÉRICA	PYÖREÄ ALUSLEVY
SPINDLE	SKJØTT HYLSE	SPINDEL	ΑΤΡΑΚΤΟΣ	EIXO	KARA
SPLIT COTTERPIN	SPLITPINNE	SPLITPIND	ΚΟΠΗΛΙΑ	CONTRAPINO DIVIDIDO	SAKSISOKKA
SPLIT PIN	SPLIT	SPLIT	ΑΝΤΕΣΤΡΑΜΜΕΝΟΣ ΠΕΡΙΟΣ	PINO ARTICULADO	SAKSISOKKA
SPLITTER	SPLITTER	FORDELER	ΔΙΑΣΠΑΣΤΗΡΑΣ	TALHADEIRA	SAKSISOKKA
SPRING	FJÆR	FJEDER	ΕΛΑΤΗΡΙΟ	MOLA	JOUSI
SPRING CLIP	KLEMMEFJÆR	FJEDERKLEMME	ΣΥΤΚΡΑΤΗΤΗΡΑΣ ΕΛΑΤΗΡΙΟΥ	PINÇA DE MOLA	JOUSIPIDIKE
SPRING CONTACT	FJÆRKONTAKT	FJEDERKONTAKT	ΕΠΙΦΩΛΕΑΤΗΡΙΟΥ	CONTACTO DE MOLA	JOUSIKOSKETIN
SPRING COVER	FJÆRLOKK	FJEDERLÅG	ΚΑΛΥΜΜΑ ΕΛΑΤΗΡΙΟΥ	COBERTURA DE MOLA	JOUSIKANSI
SPRING GUIDE	FJÆRSTYRING	FJEDERSTYR	ΟΔΗΓΟΣ ΕΛΑΤΗΡΙΟΥ	GUIA DE MOLA	JOUSIOHAIN
SPRING HOLDER	FJÆRHOLDER	FJEDERHOLDER	ΥΠΟΔΟΧΗ ΕΛΑΤΗΡΙΟΥ	SUPORTE DE MOLA	JOUSEN PIDIN
SPRING HOUSING	FJÆRHUS	FJEDERHUS	ΚΕΛΥΦΟΣ ΕΛΑΤΗΡΙΟΥ	CAIXA DA MOLA	JOUSIKOTELO
SPRING LOCK	FJÆRLÅS	FJEDERLÅS	ΑΣΦΑΛΕΙΑ ΕΛΑΤΗΡΙΟΥ	FECHADURA DE MOLA	JOUSILUKKO
SPRING PIN	FJÆRTAPP	FJEDERTAP	ΠΕΡΟΝΗ ΕΛΑΤΗΡΙΟΥ	PINO ELÁSTICO	JOUSTAPPI
SPRING SEAT	FJÆRSETE	FJEDERSÆDE	ΕΔΡΑ ΕΛΑΤΗΡΙΟΥ	ASSENTO DE MOLA	JOUSEN ISTUKKA
SPRING WASHER	FJÆRSKIVE	SPÆNDESKIVE TIL FJEDER	ΠΑΡΑΚΥΚΛΟΣ ΕΛΑΤΗΡΙΟΥ	ANILHA DE MOLA	JOUSILEVY
SPRING WAVE	SPIRALFJÆR	SPIRALFJEDER	ΔΙΑΚΥΜΑΝΣΗ ΕΛΑΤΗΡΙΟΥ	MOLA VIBRATÓRIA	AALTOJOUSI
STAR CONTACTOR	STJERNEKONTAKTOR	STJERNEKONTAKTOR	ΕΠΙΦΩΛΕΑΣ ΑΣΤΡΗΣ	CONTACTOR ESTRELA	TÄHTIKONTAKTORI
START CABLE	STARTKABEL	STARTKABEL	ΚΑΛΩΔΙΟ ΕΚΚΙΝΗΤΗΡΑ	CABO DE ARRANQUE	KÄYNNISTYSKAAPELI
START RELAY	STARTRELÉ	STARTRELÉ	ΡΕΛΕ ΕΚΚΙΝΗΣΗΣ	RELÉ DE ARRANQUE	KÄYNNISTYSRELE
STARTER	STARTER	STARTER	ΕΚΚΙΝΗΤΗΣ	ARRANCADOR	KÄYNNISTIN
STARTER MOTOR	STARTIMOTOR	STARTIMOTOR	ΗΛΕΚΤΡΟΚΙΝΗΤΗΡΑΣ ΕΚΚΙΝΗΤΗΡΑ	MOTOR DE ARRANQUE	KÄYNNISTYSMOOTTORI
STARTER RING GEAR	STARTERKRANS	STARTERKRANS	ΔΑΚΤΥΛΙΩΤΟ ΓΡΑΝΑΖΙ ΕΚΚΙΝΗΤΗΡΑ	ENGRENAGEM ANULAR DE ARRANQUE	VAUHTIPYÖRÄN HAMMASKEHÄ
STARTER SWITCH	STARTERBRYTER	STARTERKONTAKT	ΔΙΑΚΟΠΤΗΣ ΕΚΚΙΝΗΤΗ	INTERRUPTOR DE ARRANQUE	KÄYNNISTYSKYTKIN
STATOR	STATOR	STATOR	ΣΤΑΤΟΡΑΣ, ΕΠΙΔΙΩΓΕΑΣ	ESTATOR	STAATTORI
STAY	STAG	AFSTIVER	ΥΠΟΣΤΗΡΙΓΜΑ	TIRANTE	TUKI
STEEL COUPLING	STÅLKOPLING	STÅLKOBLING	ΑΤΣΑΛΙΝΟΣ ΣΥΝΔΕΣΜΟΣ	ACOPLAMENTO EM AÇO	TERÄSKYTKIN
STEEL PIPE	STÅLRØR	STÅLRØR	ΑΤΣΑΛΟΣΩΛΗΝΑΣ	TUBO DE AÇO	TERÄSPUTKI
STEEL WOOL	STÅLULL	STÅLULL	ΣΥΡΜΑΤΟΒΑΜΒΑΚΑΣ	PALHA DE AÇO	TERÄSVILLA
STEER LEVER	STYRESPAK	STYREARM	ΜΟΧΛΟΣ ΔΙΕΥΘΥΝΣΗΣ	ALAVANCA DE DIRECÇÃO	OHJAUSVIPU
STEERING	STYRING	STYRING	ΠΗΛΑΛΙΟΥΧΙΑ	DIRECÇÃO	OHJAUS
STEERING ARM	STYREARM	STYREARM	ΚΑΤΕΥΘΥΝΤΗΡΙΟΣ ΒΡΑΧΙΟΝΑΣ	BRAÇO DE DIRECÇÃO	OHJAUSVARS
STEERING FORK	STYREKAPPE	STYREGAFEL	ΚΑΤΕΥΘΥΝΤΗΡΙΑ ΠΕΡΟΝΗ	GARFO DE DIRECÇÃO	OHJAUSHAARUKKA
STEERING ROD	STYRESTANG	STYRESTANG	ΚΑΤΕΥΘΥΝΤΗΡΙΑ ΡΑΒΔΟΣ	HASTE DE DIRECÇÃO	RAIDEANKO
STIFFENER	AVSTIVER	AFSTIVNING/STIVER	ΕΝΔΥΣΤΙΚΟ ΕΛΑΣΜΑ	ESTICADOR	JÄYKISTIN
STIKRUP	BØYLE	BØJLE	ΣΥΝΑΕΤΗΡΑΣ	ESTRIBO	KIINNIKE
STOP	STOPP	STOP	ΑΝΑΚΟΠΗ	BATENTE	VASTE
STOP BLOCK	BUFFER	STOPBLOK	ΣΩΜΑ ΑΝΑΚΟΠΗΣ	BATENTE	VASTEKAPPALE
STOP CABLE	STOPPEKABEL	STOPKABEL	ΚΑΛΩΔΙΟ ΑΝΑΚΟΠΗΣ	CABO LIMITADOR	PYSÄYTYSKAAPELI
STOP COCK	STENGEVENTIL	STOPHANE	ΔΙΚΑΕΙΑ ΑΝΑΚΟΠΗΣ	TORNEIRA DE PASSAGEM	SULKUHANNA
STOP DEVICE	STOPPEANORDNING	STOPANORDNING	ΣΥΣΤΗΜΑ ΑΝΑΚΟΠΗΣ	DISPOSITIVO DE PARAGEM	PYSÄYTIN
STOP PIN	STOPPESTIFT	STOPSTIFT	ΠΕΡΙΟΣ ΑΝΑΚΟΠΗΣ	PINO DE ESPERA	PIDÄTYSTAPPI
STOP RING	STOPPERING	STOPRING	ΔΑΚΤΥΛΙΟΣ ΑΝΑΚΟΠΗΣ	ANEL DE TRAVAMENTO	PYSÄYTYSSRENGAS
STOP SOLENOID	STOPPEMAGNET	STOPMAGNET	ΣΩΛΗΝΟΒΟΛΗΣ ΑΝΑΚΟΠΗΣ	ELECTRO-ÍMAN DE PARAGEM	PYSÄYTYSSOLENOIDI
STOP VALVE	STOPPEVENTIL	STOPVENTIL	ΒΑΛΒΙΑ ΑΝΑΚΟΠΗΣ	VÁLVULA DE FECHO	SULKUVENTTILI
STRAIGHT PIPE	RETT RØR	LIGE RØR	ΕΥΘΥΣ ΩΛΗΝΑΣ	TUBO RECTO	SUORA PUTKI
STRAIGHT PIPE COUPLING	STREKKAVLASTNING	LIGE RØRKOBLING	ΕΥΘΥΣ ΣΥΝΔΕΣΜΟΣ ΣΩΛΗΝΑ	ACOPLAMENTO DE TUBO RECTO	SUORA PUTKILITIOS
STRAINER	SIL	FILTER	ΣΤΡΑΤΙΣΤΗΡΑΣ	REDE DE FILTRAGEM	SIVILÄ
STRAP	REM	BÆREREM	ΤΑΙΝΙΑ ΣΥΝΔΕΣΕΩΣ	PRECINTA	KIINNITYSSIDE
STRETCHER	STRAMMESKRUE	SPÆNDSKRUE	ΕΝΤΑΤΗΡΑΣ	TENSOR	KIRISTIN
STRETCHING BOLT	STRAMMEBOLT	SPÆNDBOLT	ΙΜΑΝΤΑΣ ΕΝΤΑΣΕΩΣ	PARAFUSO TENSOR	KIRISTYSPULTTI
STRIP	LIST	BÅND	ΛΩΡΙΑ	TIRA	NAUHA
STUB	AKSELTAPP	AKSELTAP	ΣΤΕΝΟ ΑΚΡΟ	MANGA DE EIXO	AKSELITAPP
STUD	BOLTKOPLING	STIVER	ΜΗΘΥΑΟΝΙ	REBITE	VAARNARUUVI
STUFFING BOX	PAKKBOKS	PAKÐASE	ΣΤΥΠΗΘΑΛΑΜΟΣ	EMPAÑQUE	TIIVISTYSHOLKKI
SUB-FRAME	HJELPERAMME	UNDERRAMME	ΥΠΟΠΛΑΣΙΟ	SUB-QUADRO	APURUNKO
SUCTION CAP	INNSUGNINGSHETTE	INNSUGNINGSHETTE	ΦΥΣΙΓΓΙΟ ΑΝΑΡΡΩΦΗΣΗΣ	TAMPA DE ASPIRAÇÃO	TULOAUKON KANSI
SUCTION CHAMBER	SUGEKAMMER	INNSUGNINGSKAMMER	ΘΑΛΑΜΟΣ ΑΝΑΡΡΩΦΗΣΗΣ	CÂMARA DE ASPIRAÇÃO	IMUKAMMIO
SUCTION DISC	SUGEVENTILSKIVE	INNSUGNINGSSPÆNDESKIVE	ΔΕΚΟΣ ΑΝΑΡΡΩΦΗΣΗΣ	DISCO DE ASPIRAÇÃO	IMUVENTTILIN LAUTANEN
SUCTION DUCT	SUGEKANAL	SUGEKANAL	ΑΓΩΓΟΣ ΑΝΑΡΡΩΦΗΣΗΣ	CANAL DE ASPIRAÇÃO	IMUKANAVA
SUCTION END	SUGEENDE	SUGEENDE	ΑΚΡΟ ΑΝΑΡΡΩΦΗΣΗΣ	TERMINAL DE ASPIRAÇÃO	IMUPÄÄ
SUCTION PIPE	SUGERØR	INNSUGNINGSRØR	ΑΓΩΓΟΣ ΑΝΑΡΡΩΦΗΣΗΣ	TUBO DE ASPIRAÇÃO	IMUPUTKI
SUCTION TUBE	SUGERØR	SUGERØR	ΣΩΛΗΝΑΣ ΑΝΑΡΡΩΦΗΣΗΣ	TUBO DE ASPIRAÇÃO	IMUPUTKI
SUCTION VALVE	INNSUGNINGSVENTIL	INSTRØMNINGSVENTIL	ΒΑΛΒΙΑ ΑΝΑΡΡΩΦΗΣΗΣ	VÁLVULA DE ASPIRAÇÃO	IMUVENTTILI
SUPPORT	STØTTE	UNDERSTØTNING	ΥΠΟΣΤΗΡΙΓΜΑ	SUPORTE	KANNATIN
SUPPORTING RING	STØTTERING	STØTTERING	ΔΑΚΤΥΛΙΟΣ ΥΠΟΣΤΗΡΙΞΗΣ	ANEL DE SUPORTE	KANNATINRENGAS
SUPPRESSOR	STØYSPERRE	STØYSPÆRRE	ΚΑΤΑΣΤΟΛΕΑΣ	SUPRESSOR	HÄIRIÖSUOJA
SURGE ABSORBER	BØLGEDEMPER	OVERSPÆNDINGSAFLEDER	ΑΠΟΣΒΕΣΤΗΡΑΣ ΥΠΕΡΠΟΗΣ	AMORTECEDOR DE ONDAS	YLJÄÄNNITUSUOJA
SWITCH	BRYTER	AFBRYDER	ΔΙΑΚΟΠΤΗΣ	INTERRUPTOR	SÄHKÖKYTKIN

ENGLISH	NEDERLANDS	FRANCAIS	DEUTSCH	ESPAÑOL	SVENSKA	ITALIANO
---------	------------	----------	---------	---------	---------	----------

T

T-CLIP	T-CLIP	ATTACHE EN T	T-FÖRMIGE KLAMMER	CHAVETA EN T	T-KLÄMMA	FERMAGLIO A "T"
T-CONNECTOR	T-CONNECTOR	CONNECTEUR EN T	T-STÜCK	CONNECTOR EN T	T-KONNEKTOR	CONNETTORE A "T"
T-HANDLE	T-VORMIG HANDVAT	LEVIER EN T	KREUZGRIFF	MANGO EN T	T-HANDTAG	MANICO A "T"
T-PIPE	T-PIJP	TUYAU EN T	T-RÖHRE	CONEXIÓN PARA TUBERÍAS EN T	T-RÖR	TUBO A "T"
TACHO-CABLE	TOERENTELLERKABEL	CABLE DE TACHYMETRE	DREHZAHLMESSERKABEL	CABLE DE VELOCIDAD	HASTIGHETSKABEL	HASTIGHETSKABEL
TACHOMETER	TOERENTELLER	TACHYMÈTRE	DREHZAHLMESSER	TACÓMETRO	HASTIGHETS MÅTARE	TACHIMETRO
TACHOMETER CABLE	TOERENTELLERKABEL	CABLE DE TACHYMETRE	DREHZAHLMESSERKABEL	CABLE DEL TACÓMETRO	HASTIGHETSKABEL	CAVO DEL TACHIMETRO
TAIL LIGHT	ACHTERLICHT	FEU ARRIÈRE	HECKLEUCHE	LUZ TRASERA	BAKLJUS	LUCE POSTERIORE
TAIL PIPE	UITLAATPIJP	TUYAU ARRIÈRE	AUSPUFFROHR	EXTREMO DE LA TUBERÍA	ÄNDRÖR	TUBO POSTERIORE
TANK	TANK	RESERVOIR	BEHÄLTER	TANQUE	TANK	SERBATOIO
TANK STRAP	TANKRIEM	BANDE DE RESERVOIR	KRAFTSTOFFBEHÄLTERBEFESTIGUNG	ABRAZADERA DEL DEPÓSITO	TANKBAND	CINGHIA DEL SERBATOIO
TANK UNIT	TANK	UNITE RESERVOIR	KRAFTSTOFFBEHÄLTEREINHEIT	UNIDAD DE DEPÓSITO	TANKENHET	UNITÀ DEL SERBATOIO
TAP	KRAAN	ROBINET	HAHN	TAPE	KRAN	PRESA
TAPE	PLAKBAND	BANDE RUBAN	KLEBEBAND	CINTA	BAND	NASTRO
TAPER PIN	CONISCHE PEN	GOUPILLE CONIQUE	KEGELSTIFT	PASADOR CÓNICO	KONISK PINNE	SPINA CONICA
TEE	T-STUK	TE	T-STÜCK	ASA EN T	T-STYCKE	DERIVAZIONE A "T"
TEE COUPLING	T-KOPPELING	RACCORD EN T	T-KUPLUNG	ACOLAMIENTO EN T	T-KOPPLING	ACCOMPAMENTO A "T"
TEE HANDLE	T-VORMIG HANDVAT	LEVIER EN T	KREUZGRIFF	ASA EN T	T-HANDTAG	MANICO CON DERIVAZIONE A "T"
TEMPERATURE GAUGE	TEMPERATUURMETER	INDICATEUR DE TEMPERAT.	TEMP. MESSER	IND. DE TEMP.	TEMP. MÅTARE	TERMOMETRO
TEMPERATURE SENSOR	TEMPERATUURSENSOR	SONDE THERMIQUE	TEMPERATURFÜHLER	SENSOR DE TEMP.	TEMPERATURGIVARE	SENSORE DI TEMPERATURA
TEMPERATURE SWITCH	TEMPERATUURSCHAKELAAR	THERMOSTAT	TEMP. SCHALTER	TERMOSTATO	TEMPERATURVAKT	TERMOSTATO
TEMPERATURE TRANSMITTER	TEMPERATUURZENDER	EMETTEUR DE TEMPERATURE	TEMPERATURGEBER	TRANSMISOR DE TEMPERATURA	TEMPERATURGIVARE	TERMOTRASMETTITTORE
TENSION PULLEY	SPANROL	POULIE TENDEUR	SPANNROLLE	POLEA TENSORA	SPÄNNRULLE	PULEGGIA TENDICINGHIA
TENSION SPRING	SPANVEER	RESSORT TENDEUR	ZUGFEDER	MUELLE TENSOR	MUELLE TENSION	MOLLA DI TENSIONE
TENSIONER	SPANNER	TENDEUR	SPANNER	TENSIÓMETRO	ÅTDRAGNINGSANORDNING	TENDITORE
TERMINAL	KLEMME	REGLETTE A BORNES	KLEMME	TERMINAL	KOPPLING	MORSETTO
TERMINAL BLOCK	KLEMMENBLOK	BLOC TERMINAL	KLEMMENBLOCK	BLOQUE TERMINAL	ANSLUTNINGSPLINT	MORSETTIERA
TERMINAL BOARD	KLEMMENBORD	REGLETTE A BORNES	KLEMMBRETT	TABLERO DE BORNES	ANSLUTNINGSPLINT	MORSETTIERA
TERMINAL BOARD PANEL	KLEMMENPANEEL	PANNEAU REGLETTE A BORNES	KLEMMENBRETT	PANEL DEL TABLERO TERMINAL	PANEL ANSLUTNINGSPLINT	PANNELLO DELLA MORSETTIERA
TERMINAL BOX	KLEMMENKAST	BOITIER DE BORNES	KLEMMENKASTEN	CAJA TERMINAL	KOPPLINGSDOSA	SCATOLA DEI MORSETTI
TERMINAL COVER	DEKSEL V. KLEMMENKAST	COUVERTURE DE BORNES	KLEMMENABDECKUNG	CUBIERTA TERMINAL	UTTAGSKÅPA	COPERCHIO DEI MORSETTI
TERMINAL PIN	PEN V. KLEMMENBORD	GOUPILLE E BORNE	ANSCHLUSSSTIFT	CHAVETA TERMINAL	ANSLUTNINGSPINNE	SPINA DEI MORSETTI
TERMINAL PLATE	KLEMMENPLAAT	PLAQUE DE BORNES	KLEMMENPLATTE	PLACA TERMINAL	ANSLUTNINGSPLÅT	PIASTRA DEI MORSETTI
THERMAL EXPANSION VALVE	THERM. EXPANSIEKLEP	THERM. EXP.-VENT.	THERM. EXP.-VENTE	VÁLVULA DE EXPANSIÓN TÉRMICA	TERM. EXP.-VENT.	VALVOLA A ESPANSIONE TERMICA
THERMAL RELAY	THERMISCH RELAIS	RELAIS THERMIQUE	BIMETALLRELAIS	RELÉ TÉRMICO	TERMISKT RELÄ	TERMORELE'
THERMISTOR	TERMISTOR	THERMISTOR	THERMISTOR	TERMISTOR	TERMISTOR	TERMISTORE
THERMOMETER	TERMOMETRER	THERMOMÈTRE	THERMOMETER	TERMÓMETRO	TERMOMETRER	TERMOMETRO
THERMOSTAT	TERMOSTAAT	THERMOSTAT	THERMOSTAT	TERMOSTATO	TERMOSTAT	TERMOSTATO
THERMOSTATIC VALVE	TERMOST. KLEP	REGULATEUR A THERMOSTAT	TEMP. REGLER	VÁLV. TERMOSTÁTICA	TERMOST. VENTIL.	VALVOLA TERMOSTATICA
THREAD INSERT	INZETSTUK M. DRAAD	INSERTION FILETEE	GEWINDEEINSATZ	INTERCIÓN DE FILETEADO	GÄNGINSATS	FILLETATURA RIPORTATA
THREADED INSERT	INZETSTUK M. DRAAD	INSERTION FILETEE	GEWINDEEINSATZ	INSERCIÓN FILETEADA	GÄNGAD INSATS	INSERTO FILETTATO
THREADED PIPE	PIJP M. DRAAD	TUYAU FILETE	GEWINDERÖHR	TUBERÍA FILETEADA	GÄNGAT RÖR	TUBO FILETTATO
THREADED ROD	DRAADSTANG	TIE FILETEE	GEWINDESTANGE	BARRA FILETEADA	GÄNGAD STÅNG	STELO FILETTATO
THROTTLE	SMOORKLEP	ETRANGLEUR	DROSSELKLAPPE	PALANCA DE GASES	SPJÅLL	FARFALLA
THROTTLE HANDLE	HANDVAT SMOORKLEP	LEVIER D'ETRANGLEUR	DROSSELKLAPPENHEBEL	ASA DE LA PALANCA DE GASES	SPJÅLLHANDTAG	MANICO DI REGOLAZIONE
THROTTLE VALVE	SMOORKLEP	ETRANGLEUR	DROSSELVENTIL	VÁLVULA DE ESTRANGUL.	SPJÅLLVENTIL	VALVOLA DI STROZZAMENTO
THRUST BLOCK	DRUKLAGER	BLOC DE PRESSION	DRUCKSTÜCK	PIVOTE DE EMPUJE	TRYCKLAGER	CUSCINETTO REGGISPINTA
THYRISTOR	THYRISTOR	THYRISTOR	THYRISTOR	THYRISTOR	TYRISTOR	TRISTORE
TIE	BEVESTIGING	FIXER, FIXATION	VERBINDUNGSTEIL	CONEXIÓN	STAG	COLLEGAMENTO
TIE BAR	BEVESTIGINGSTANG	BARRE DE FIXATION	BEFEST. STANGE	BARRA DE SUJECCIÓN	FÄSTE	BARRA DI FISSAGGIO
TIE ROD	TREKSTAAF	BARRE D'ACCOUPEMENT	ZUGSTANGE	TIRANTE	PARALLELLSTAG	TIRANTE
TIE ROD END	TREKSTAAFHOUDER	TIRANT	ZUGSTANGENKOPF	PORTATIRANTE	PARALLELLSTAGSÄNDA	TESTA DEL TIRANTE
TIGHTENER	SPANNER	TENDEUR	SPANNER	TENSOR	SPÄNNBLOK	TENDITORE
TIME RELAY	TIDRELAIS	RELAIS TEMPORISE	ZEITRELAIS	RELÉ TEMPORIZADO	TIDRELÄ	RELÉ A TEMPO
TIMER	TUJDSCHAKELAAR	MINUTERIE	ZEITGEBER	TEMPORIZADOR	TIMER	CONTATEMPO
TIMING BELT	TANDRIEM	COURROIE	SYNCHRONRIEMEN	CORREA DE TIEMPO	TIDSINSTÄLLNINGSBAND	CINGHIA DENTATA
TIMING GEARS	TANDRIEMSCHIJVEN	ENGRENAGES	STEUERGESTÄNGE	ENGRANAJES DE TIEMPO	TRANSMISSIONSDREV	INGRANAGGI DELLA DISTRIBUZIONE
TOGGLE SWITCH	KIPPSCHAKELAAR	COMMUTATEUR	KIPPSCHALTER	INTERR. DE PALANCA	VIPPSTRÖMBRYTARE	INTERRUTTORE CON LEVA A SCATTO
TOOL	GEREEDSCHAP	OUTIL	WERKZEUG	HERRAMIENTA	VERKTYG	UTENSILE
TOOLBOX	GEREEDSCHAPSKIST	BOÎTE A OUTILS	WERKZEUGKASTEN	CAJA DE HERRAMIENTAS	VERKTYGSLÅDA	CASSETTA UTENSILI
TOOLSET	GEREEDSCHAPSET	JEU D'OUTILS	WERKZEUGSATZ	JUEGO DE HERRAM.	VERKTYGSÅTS	SERIE DI UTENSILI
TOOTHED BELT	TANDRIEM	COURROIE CRANTÉE	ZAHNRIEMEN	CORREA DENTADA	TANDAD REM	CINGHIA DENTATA
TOOTHED PULLEY	TANDRIEMSCHIJF	POULI DENTÉE	ZAHNRIEMENSCHIEBE	POLEA DENTADA	TANDAD REMSKIVA	PULEGGIA DENTATA
TOP	BOVENSTE	SUPERIEUR	OBEN	PARTE SUPERIOR	TOPP	SOMMITA'
TORSION ARM	TORSIEARM	BRAS DE TORSION	TORSIONSARM	BRAZO DE TORSIÓN	TORSIONSARM	BRACCIO DI TORSIONE
TORSION BAR	TORSIESTAAF	BARRE DE TORSION	TORSIONSSTAB	BARRA DE TORSIÓN	TORSIONSSTAV	BARRA DI TORSIONE
TORSION BUSH	TORSIEBUS	MANCHON, TORSION	TORSIONSBUCHSE	BUJE DE TORSIÓN	TORSIONSBUSSNING	BUSSOLA DI TORSIONE
TOWBAR	TREKSTANG	BARRE D'ATTELAGE	ZUGSTANGE	BARRA DE REMOLQUE	DRAGSTÅNG	BARRA DI RIMORCHIO
TOWBAR DIN	TREKSTANG DIN	BARRE D'ATTELAGE DIN	ZUGSTANGE DIN	BARRA DE REMOLQUE DIN	DRAGSTÅNG DIN	BARRA DI RIMORCHIO DIN
TOWBAR EXTENSION	VERLENGING TREKSTANG	RALLONGE D'ATTELAGE	ZUGSTANGENVERLÄNGERUNG	EXTENSIÓN DE BARRA DE REMOLQUE	FÖRLÄNGNINGSSIVYKEDRAGSTÅNG	FROLUNGA DELLA BARRA DI RIMORCHIO
TOWBAR EYE	SLEEPOOG	ANNEAU D'ATTELAGE	ZUGSTANGENÖSE	OJO DE LA BARRA DE REMOLQUE	DRAGÖGLA	OCCHIONE DELLA BARRA DI RIMORCHIO
TOWING EYE	TREKOOG	ANNEAU DE REMORQUAGE	ZUGÖSE	ANILLA DE REMOLQUE	DRAGÖGLA	OCCHIONE DI TRAINO
TRAILER VERSION	SLEEPUITVOERING	VERSION REMORQUE	ANHÄNGERAUSE	TIPO REMOLQUE	SLÅPVAGNUTFÖRANDE	VERSIONE RIMORCHIO
TRANSFORMER	TRANSFORMATOR	TRANSFORMATEUR	TRANSFORMATOR	TRANSFORMADOR	TRANSFORMATOR	TRANSFORMATORE
TRAY	DRUPPELKOLLEKTOR	COLLECTEUR, GOUTTES	TROPFKOLLEKTOR	COLECTOR DE GOTAS	DROPPSKYDD	VASSOIO
TRIP COIL	MAGNEETSPOEL	BOBINE DE DECLenchement	AUSLÖSESPULE	BOBINA DE DISPARO	UTLÖSNINGSSPOLE	BOBINA DI DISINNESTO
TROLLEY	ROLWAGENTJE	CHARRETTE	ROLLWÄGELCHEN	CARRETELLA	RULLVAGN	CARRELLO
TRUCK	VRACHTWAGEN	CAMION	LASTKRAFTWAGEN	CAMIÓN	LASTVAGN	AUTOCARRO
TUBE	BUIS	TUYAU	ROHR	TUBO	RÖR	TUBO
TUBE CLIP	BUISKLEMME	ATTACHE DE TUYAU	ROHRSCHELLE	CHAVETA DE TUBO	RÖRKLÄMMA	FERMAGLIO DEL TUBO
TUBE END	EINDE V. BUIS	EXTREMITÉ DE TUYAU	ROHRENDE	EXTREMO DE TUBO	RÖRÄNDA	ESTREMITA' DEL TUBO
TURBINE	TURBINE	TURBINE	TURBINE	TURBINA	TURBINA	TURBINA
TURBO CHARGER	TURBOLADER	TURBOCHARGEUR	TURBOLADER	CARGADOR TURBO	TURBOLADDARE	SOVRALMENVARE CON TURBO COMP.
TURBO PIPE	PIJP V. TURBO	TUYAU TURBO	TURBORÖHR	TUBERÍA TURBO	TURBORÖR	TURBOTUBO
TURBOLATOR	TURBOLATOR	TURBOLATOR	TURBOLATOR	TURBOLATOR	TURBOLATOR	TURBOLATOR
TURN BUCKLE	SPANNER	TENDEUR	SPANNSCHLOSS	TENSOR	SPÄNNMUTTER	TENDITORE
TURN TABLE	DRAAITAFEL	TABLE PIVOTANTE, CARROUSSEL	DREHTISCH	MESA DE GIRO	VÄNDSKIVA	TAVOLO GIREVOLE
TWIN BALL VALVE	KLEP M. DUBBELE KOGEL	SOUPAPE A DEUX BILLES	DOPPELKUGELVENTIL	VÁLVULA DE BOLAS GEMELAS	DUBBEL KULVENTIL	VALVOLA A SFERA GEMELLA
TWIN FILTER	DUBBEL FILTER	DOUBLE FILTRE	DOPPELFILTER	FILTRO DOBLE	DUBBELFILTER	FILTRO GEMELLO
TYRE	BAND	PNEU	REIFEN	NEUMÁTICO	DÄCK	PNEUMATICO

U

U-BOLT	U-BOUT	BOULON EN U	U-BOLZEN	PERNO EN U	U-BULT	STAFFA FILETTATA AD "U"
U-PROFILE	U-PROFIEL	PROFIL EN U	U-PROFIL	PERFIL EN U	U-PROFIL	PROFILA "U"
UNDERCARRIAGE	CHASSIS	CHASSIS	UNTERGESTELL	BASTIDOR	UNDERREDE	TALIAIO, CARRELLO
UNDERVOLTAGE RELAY	RELAIS LAGE SPANNING	RELAIS DE SOUS-TENSION	UNTERSÜNNUNGSRELAIS	RELÉ DE VOLTAJE BAJO	NOLLSPÄNNINGSRELÄ	RELE' DI MINIMA TENSIONE
UNION	PIJKOPPELING	RACCORD	VERSCHRAUBUNG	UNIÓN	RÖRKOPPLING	RACCORDO

ENGLISH	NORSK	DANSK	ΕΛΛΗΝΙΚΑ	PORTUGUÊS	SUOMI
SWITCH GUARD	BRYTTERVERN	KONTAKTHUS	ΠΡΟΦΥΛΑΚΤΗΡΑΣ ΔΙΑΚΟΙΤΗΣ	PROTECÇÃO DO INTERRUPTOR	KYTKIMEN SUOJUS
SWIVEL WHEEL	SVINGHJUL	SVINGHJUL	ΠΕΡΙΣΤΡΕΦΟΜΕΝΟΣ ΤΡΟΧΟΣ	RODA GIRATÓRIA	KÄÄNTÖPYÖRÄ
T					
T-CLIP	T-KLEMM	T-KLEMM	ΛΑΒΙΑ Τ	PINÇA EM TÊ	T-PINNE
T-CONNECTOR	T-KOPLING	T-KOPLING	ΣΥΝΑΕΤΗΡΑΣ Τ	UNIÃO EM TÊ	T-LITIN
T-HANDLE	THÅNDTAK	THÅNDTAG	ΛΑΒΗ Τ	PEGA EM TÊ	T-KAIVA
T-PIPE	T-FORGRENING	T-FORGRENING	ΣΩΛΗΝΑΣ Τ	TUBO EM TÊ	T-PUTKI
TACHO-CABLE	TURTELLEKABEL	TACHOMETERKABEL	ΚΑΛΩΔΙΟ ΤΑΧΥΜΕΤΡΟΥ	CABO-TACO	KIERROSLUKUMITTARIN JOHTO
TACHOMETER	TURTELLER	TACHOMETER	ΤΑΧΥΜΕΤΡΟ	TAQUÍMETRO	KIERROSLUKUMITTARI
TACHOMETER CABLE	TURTELLEKABEL	TACHOMETERKABEL	ΚΑΛΩΔΙΟ ΤΑΧΥΜΕΤΡΟΥ	CABO DO TAQUÍMETRO	KIERROSLUKUMITTARIN JOHTO
TAIL LIGHT	BAKLYS	BAGLYGTE	ΜΗ ΦΥΣΙΟΛΟΓΙΚΟ ΦΩΣ	LUZ TRASEIRA	TAKAVALO
TAIL PIPE	BAKRE RØR	BAGESTE RØR	ΣΩΛΗΝΑΣ ΕΞΑΙΩΓΗΣ	TUBO DE ASPIRAÇÃO DE BOMBA	PAKOPUTKI
TANK	TANK	TANK	ΔΟΧΕΙΟ	TANQUE	SÄILIÖ
TANK STRAP	TANKREM	TANKREM	ΚΟΛΑΡΟ ΔΕΞΑΜΕΝΗΣ	ALÇA DO TANQUE	SÄILIÖN SIDE
TANK UNIT	TANKENHET	TANKENHED	ΜΟΝΑΔΑ ΔΕΞΑΜΕΝΗΣ	UNIDADE DE TANQUE	SÄILIÖ
TAP	UTTAK	TAP	ΤΑΠΑ	TOMADA	HANA
TAPE	TAPE	TAPE	ΤΑΙΝΙΑ	FITA	TEIPPI
TAPER PIN	KONISK PINNE	KONISK STIFT	ΚΟΝΙΚΟΣ ΠΕΡΙΟΣ	PINO CÓNICO	KARTOTAPPI
TEE	T-RØR	T-STYKKE	ΑΝΤΙΚΕΦΙΜΕΝΟ ΣΧΗΜΑΤΟΣ Τ	EM FORMA DE T	T-KAPPALE
TEE COUPLING	T-KOPLING	T-SAMLING	ΣΥΝΑΕΣΜΟΣ ΣΧΗΜΑΤΟΣ Τ	ACOPLAMENTO EM T	T-LITIN
TEE HANDLE	THÅNDTAK	THÅNDTAG	ΛΑΒΗ Τ	PEGA EM TÊ	T-KAIVA
TEMPERATURE GAUGE	TEMPERATURMÅLER	TEMPERATURMÅLER	ΜΕΤΡΗΤΗΣ ΕΛΕΓΧΟΥ ΘΕΡΜΟΚΡΑΣΙΑΣ	TERMÓMETRO	LÄMPÖMITTARI
TEMPERATURE SENSOR	TEMPERATURFØLER	TEMPERATURFØLER	ΑΙΣΘΗΤΗΡΑΣ ΘΕΡΜΟΚΡΑΣΙΑΣ	SENSOR DE TEMPERATURA	LÄMPÖTILA-ANTURI
TEMPERATURE SWITCH	TEMPERATURTKOPLINGSBRYTER	TEMPERATURAFBRYDER	ΔΙΑΚΟΙΤΗΣ ΘΕΡΜΟΚΡΑΣΙΑΣ	INTERRUPTOR DE TEMPERATURA	LÄMPÖKYTKIN
TEMPERATURE TRANSMITTER	TEMPERATURGIVER	TEMPERATURTRANSMITTER	ΕΚΠΟΜΠΟΣ ΘΕΡΜΟΤΗΤΑΣ	TRANSMISSOR DE TEMPERATURA	LÄMPÖTILÄÄHETIN
TENSION PULLEY	STRAMMESKIVE	STRAMMERULLE	ΕΦΕΑΚΥΟΜΕΝΗ ΤΡΟΧΑΛΙΑ	POLIA TENSORA	KIRSTYSRULLA
TENSION SPRING	STRAMMEFJÆR	SPÆNDEFJEDER	ΕΛΑΤΗΡΙΟ ΕΦΕΑΚΥΣΜΟΥ	MOLA DE TRACÇÃO	KIRSTYSJOUSI
TENSIONER	STRAMMER	STRAMMER	ΕΝΤΑΤΗΡΑΣ	REGULADOR DE TENSÃO	KIRSTIN
TERMINAL	KLEMM	TILSLUTNINGSKLEMM	ΑΚΡΟΔΕΚΤΗΣ	TERMINAL	LITIN
TERMINAL BLOCK	KLEMMELIST	KLEMRÆKKE	ΟΜΑΔΑ ΑΚΡΟΔΕΚΤΩΝ	BLOCO TERMINAL	RIVILITIN
TERMINAL BOARD	KLEMMPLATE	KLEMBRÆT	ΠΙΝΑΚΑΣ ΑΚΡΟΔΕΚΤΩΝ	QUADRO DE BORNES	LITINLUSTA
TERMINAL BOARD PANEL	KLEMMPLATEPANELR	KLEMBRÆTPANEL	ΤΕΡΜΑΤΙΚΟΣ ΠΙΝΑΚΑΣ, ΠΙΝΑΚΑΣ ΑΚΡΟΔΕΚΤΩΝ	PAINEL DA CHAPA DE BORNES	LITINPANELI
TERMINAL BOX	KLEMMEBOKS	KLEMKASSE	ΚΟΥΤΙ ΑΚΡΟΔΕΚΤΩΝ	CAIXA DE BORNES	LITINRASIA
TERMINAL COVER	KLEMMELOKK	KLEMMKASSELØKSEL	ΚΛΑΥΜΜΑ ΑΚΡΟΔΕΚΤΗ	TAMPA DE BORNE	LITINRASIAN KANSI
TERMINAL PIN	KLEMMEPINNE	KLEMM	ΑΚΡΟΔΕΚΤΗΣ	BORNE	LITINLUSTAN NASTA
TERMINAL PLATE	KLEMMPLATE	KLEMBRÆT	ΠΛΑΚΕΤΑ ΑΚΡΟΔΕΚΤΩΝ	PLACA TERMINAL	LITINLEVY
THERMAL EXPANSION VALVE	TEMP. EKSP.VENT.	TEMP. EKSP. VENT.	ΒΑΛΒΙΔΑ ΘΕΡΜΙΚΗΣ ΔΙΑΣΤΟΛΗΣ	VÁLVULA DE EXPANSÃO TÉRMICA	PAISUNTAVENTTILI
THERMAL RELAY	TEMPERATURRELÉ	TERMOSTAT	ΘΕΡΜΙΚΟ ΡΕΛΕ	RELÉ TÉRMICO	LÄMPÖRELE
THERMISTOR	TERMISTOR	TERMISTOR	ΘΕΡΜΙΣΤΟΡ	TERMISTOR	TERMISTORI
THERMOMETER	TERMOMETER	TERMOMETER	ΘΕΡΜΟΜΕΤΡΟ	TERMÓMETRO	LÄMPÖMITTARI
THERMOSTAT	TERMOSTAT	TERMOSTAT	ΘΕΡΜΟΣΤΑΤΗΣ	TERMOSTÁTO	TERMOSTAATTI
THERMOSTATIC VALVE	TERMOSTATVENTIL	TERMOSTATVENTIL	ΘΕΡΜΟΣΤΑΤΙΚΗ ΒΑΛΒΙΔΑ	VÁLVULA TERMOSTÁTICA	TERMOSTAATTIVENTTILI
THREAD INSERT	GIENGET INNSATS	GEVINDINDSATS	ΣΠΙΛΙΠΟΤΟΜΗΜΕΝΟ ΠΑΡΕΜΒΑΣΜΑ	INSERÇÃO DE ROSCA	KIERTEITETTY SISÄKAPPALE
THREADED INSERT	GIENGET INNSATS	GEVINDINDSATS	ΣΠΙΛΙΠΟΤΟΜΗΜΕΝΟ ΠΑΡΕΜΒΑΣΜΑ	INSERÇÃO ROSCADA	KIERTEITETTY SISÄKAPPALE
THREADED PIPE	GIENGET RØR	GEVINDRØR	ΣΠΙΛΙΠΟΤΟΜΗΜΕΝΟΣ ΣΩΛΗΝΑΣ	TUBO ROSCADO	KIERTEITETTY PUTKI
THREADED ROD	GIENGET STANG	GEVINDSTANG	ΣΠΙΛΙΠΟΤΟΜΗΜΕΝΗ ΡΑΒΔΟΣ	HASTE ROSCADA	KIERTEITETTY TANKO
THROTTLE	SPJELD	SPJELD	ΓΚΑΖΙ	ESTRANGULADOR	KURISTUSLÄPPÄ
THROTTLE HANDLE	SPJELDHÅNDTAK	SPJELDHÅNDTAG	ΛΑΒΗ ΓΚΑΖΙΟΥ	ALAVANCA DO ESTRANGULADOR	KURISTINKAIVA
THROTTLE VALVE	SPJELDVENTIL	GASSPJELD/DROSSELVENTIL	ΣΤΡΑΤΑΓΜΑΤΙΚΗ ΒΑΛΒΙΔΑ	VÁLVULA ESTRANGULADORA	KURISTUSVENTTILI
THRUST BLOCK	AKSIALLAGER	AKSIALLEJE	ΩΣΤΙΚΟΣ ΤΡΙΒΕΛΑΣ	CHUMACEIRA DE IMPULSO	PAINELAAKERI
THYRISTOR	TYRISTOR	TYRISTOR	ΘΥΡΙΣΤΟΡ	TIRISTOR	TYRISTORI
TIE	STAG	TRÆKSTANG	ΔΕΤΗΡΑΣ	TIRANTE	KIINNITIN
TIE BAR	TVERRSTAG	FORBINDELSSESSTANG	ΧΟΡΑΗ	BARRA DE FIXAÇÃO	SIDETANKO
TIE ROD	PARALLELSTAG	TRÆKSTANG	ΧΟΡΑΗ	BIELA	RAIDETANKO
TIE ROD END	PARALLELSTAGENDE	TRÆKSTANGSENDE	ΑΚΡΗ ΧΟΡΑΗΣ	CABEÇA DE BIELA	RAIDETANGON PÄÄ
TIGHTENER	STRAMMERULLE	STRAMMER/STRAMMERULLE	ΣΥΣΦΙΚΤΗΡΑΣ	TENSOR	KIRSTIN
TIME RELAY	TIDSRELÉ	TIDSRELÉ	ΧΡΟΝΙΚΟ ΡΕΛΕ	RELÉ TEMPORIZADO	AIKARELE
TIMER	KONTAKTBRYTER	TIMER	ΧΡΟΝΟΜΕΤΡΟ	DISPOSITIVO REGULADOR DAIGNÇÃO	KELLOKYTKIN
TIMING BELT	REGISTERREM	TANDREM	ΙΜΑΝΤΑΣ ΧΡΟΝΙΣΜΟΥ	CORREIA DO DISTRIBUIDOR	HAMMASHIHNA
TIMING GEARS	REGISTERHJUL	VENTILSTYRING	ΓΡΑΝΑΖΙΑ ΧΡΟΝΙΣΜΟΥ	ENGRENAGENS DO DISTRIBUIDOR	JAKOPYÖRÄSTÖ
TOGGLE SWITCH	VIPPEBRYTER	VIPPEAFBRYDER	ΑΣΦΑΛΕΤΙΚΟ ΠΕΡΙΟΥ	INTERRUPTOR DE PATILHA	KEINUKYTKIN
TOOL	VERKTØY	VÆRKTØJ	ΕΡΓΑΛΕΙΟ	FERRAMENTA	TYÖKALU
TOOLBOX	VERKTØYKASSE	VÆRKTØJKASSE	ΕΡΓΑΛΕΙΟΘΗΚΗ	CAIXA DE FERRAMENTAS	TYÖKALUPAKKI
TOOLSET	VERKTØYSETT	VÆRKTØJSSÆT	ΣΕΙΡΑ ΕΡΓΑΛΕΙΩΝ	JOGO DE FERRAMENTAS	TYÖKALUSARIA
TOOTHED BELT	TANNET REM	TANDREM	ΟΔΟΝΤΩΤΟΣ ΙΜΑΝΤΑΣ	CORREIA DENTADA	HAMMASHIHNA
TOOTHED PULLEY	TANNET REMSKIVE	TANDREMSHJUL	ΟΔΟΝΤΩΤΗ ΤΡΟΧΑΛΙΑ	POLIA DENTADA	HAMMASHIHNAFYÖRÄ
TOP	ØVRE	TOP	ΚΟΡΥΦΗ	TOPO	YLÄ-
TORSION ARM	TORSJONSARM	TORSJONSARM	ΒΡΑΧΙΟΝ ΔΕΣΤΡΕΨΗΣ	BRAÇO DE TORÇÃO	VÄÄNTÖVIPU
TORSION BAR	TORSJONSSTAV	TORSJONSSTANG	ΡΑΒΔΟΣ ΣΤΡΕΨΗΣ	BARRA DE TORÇÃO	VÄÄNTÖSAUVA
TORSION BUSH	TORSJONSBOSSING	TORSJONSBOSSNING	ΑΝΤΙΤΡΙΒΙΚΟΣ ΔΑΚΤΥΛΙΟΣ ΣΤΡΕΨΗΣ	CASQUILHO DE TORÇÃO	VÄÄNTÖHOLKKI
TOWBAR	TREKKSTANG	TRÆKSTANG	ΡΑΒΔΟΣ ΠΥΜΟΥΑΚΗΣΗΣ	BARRA DE REBOQUE	VETOAISA
TOWBAR DIN	TREKKSTANG DIN	TRÆKSTANG DIN	ΡΑΒΔΟΣ ΠΥΜΟΥΑΚΗΣΗΣ ΚΑΤΑ DIN	ESTRIDOR DA BARRA DE REBOQUE	VETOAISA DIN
TOWBAR EXTENSION	TREKKSTANGFORLENGELSE	TRÆKSTANGSFORLENGELSE	ΠΡΟΕΚΤΑΣΗ ΠΥΜΟΥΑΚΗΣΗΣ	PROLONGAMENTO DA BARRA DE REBOQUE	VETOAISAN JATKE
TOWBAR EYE	TREKKSTANGØYE	TRÆKSTANGSØJE	ΔΑΚΤΥΛΙΟΣ ΠΥΜΟΥΑΚΗΣΗΣ	OLHAL DA BARRA DE REBOQUE	VETOAISAN SILMUKKA
TOWING EYE	SLEPØYE	TRÆKØJE	ΔΑΚΤΥΛΙΟΣ ΠΥΜΟΥΑΚΗΣΗΣ	OLHAL DE REBOQUE	VETOSILMUKKA
TRAILER VERSION	TILHÆNGER	TRAILERUDGAVE	ΕΚΔΟΣΗ ΣΕ ΠΥΜΟΥΑΚΟΥΜΕΝΟ ΤΡΟΧΟΦΟΡΟ	VERSÃO REBOQUE	PERÄVAUNUMALLI
TRANSFORMER	TRANSFORMATOR	TRANSFORMATOR	ΜΕΤΑΣΧΗΜΑΤΗΣΤΗΣ	TRANSFORMADOR	MUUNTAJA
TRAY	OLJEPANNE	BAKKE	ΟΡΙΖΟΝΤΙΟΣ ΔΕΚΣ	TABULEIRO	TIPPUMISSUOJA
TRIP COIL	RELÉSPOLE	UDLØSERSPOLE	ΠΗΝΙΟ ΔΙΑΚΟΠΗΣ, ΡΕΛΕ	BOBINE DE DISPARO	KYTKINKELA
TROLLEY	TRALLE	RULLEVOGN	ΤΡΟΧΗΑΤΟ ΦΟΡΕΙΟ	CARRINHO	RULLAVAUNU
TRUCK	LASTEBIL	LASTVOGN	ΦΟΡΤΗΓΟ	CAMIÓN	KUORMA-AUTO
TUBE	RØR	RØR	ΣΩΛΗΝΑΣ	TUBO	PUTKI
TUBE CLIP	RØRKLEMM	RØRKLEMM	ΣΤΗΡΙΓΜΑ ΣΩΛΗΝΑ	BRAÇADEIRA DO TUBO	PUTKENPIDIKE
TUBE END	RØRENDE	RØRENDE	ΑΚΡΟΣΩΛΗΝΑ, ΑΚΡΟΣΩΛΗΝΙΟ	EXTREMIDADE DO TUBO	PUTKEN PÄÄTYKAPPALE
TURBINE	TURBIN	TURBIN	ΤΟΥΡΜΙΝΑ	TURBINA	TURBIINI
TURBO CHARGER	TURBOLADER	TURBOLADER	ΥΠΕΡΣΥΜΠΙΕΣΤΗΣ	TURBOCOMPRESSOR	TURBOHDIN
TURBO PIPE	TURBORØR	TURBORØR	ΣΩΛΗΝΑΣ ΥΠΕΡΣΥΜΠΙΕΣΤΗ	TURBOTUBO	TURBOPUTKI
TURBOLATOR	TURBOLATOR	TURBOLATOR	ΣΤΡΟΒΙΛΙΣΤΗΡΑΣ	PROPULSÃO TURBO	TURBOLATOR
TURN BUCKLE	STREKKEFISK	SPÆNDMØTRIK	ΣΤΡΕΦΟΜΕΝΟΣ ΚΡΗΚΟΣ	TENSOR / ESTICADOR	KIRSTIN
TURN TABLE	DREJEBORD	DREJEBORD/DREJEKRANS	ΠΛΑΤΩ	PLATAFORMA GIRATÓRIA	KÄÄNTÖPÖYTÄ
TWIN BALL VALVE	DOBBEL KULEVENTIL	DOBBELT KUGLEVENTIL	ΔΙΠΛΗ ΣΦΑΙΡΙΚΗ ΒΑΛΒΙΔΑ	VÁLVULA ESFÉRICA DUPLA	KAKSOISPALLOVENTTILI
TWIN FILTER	DOBBELT FILTER	DOBBELT FILTER	ΔΙΠΛΟ ΦΙΛΤΡΟ	FILTRO DUPLO	KAKSOISSUODATIN
TYRE	DEKK	DÆK	ΑΕΣΤΙΧΟ	PNEU	RENGAS
U					
U-BOLT	U-BOLT	U-BOLT	ΚΟΧΛΙΑΣ ΣΧΗΜΑΤΟΣ U	BRAÇADEIRA	U-PULTTI
U-PROFILE	U-PROFIL	U-PROFIL	ΔΙΑΤΟΜΗ U	PERFIL EM U	U-PROFILLI

ENGLISH	NEDERLANDS	FRANCAIS	DEUTSCH	ESPAÑOL	SVENSKA	ITALIANO
UNION ELBOW	PIJKOPPELING, KNIJ-	COUDE DE RACCORDEMENT	WINKEL-VERBINDUNGSSTÜTZEN	CODO DE UNIÓN	KOPPLINGSKNÄ	GOMITO DI RACCORDO
UNIT, BATT. SENS.	EENH. BATTERIJSENSOR	UNITE, SENS. DE BATTERIE	EINH. BATT.FÜHLER	UN., SENSOR DE BATERÍA	ENHET, BATT.GIVARE	UNITÀ, SENSORE BATT.
UNIT, OIL PRESS.	EENHEID, OLIEDRUK	DISP.PRESSION D'HUILE	EINHEIT, ÖLDRUCK	DISP. PRESIÓN DE ACEITE	ENHET, OLJETRYCK	UNITÀ, PRESS. OLIO
UNIT, WATER TEMP.	EENH., WATERTEMPERAATUUR	DISP. TEMPERATURE D'EAU	EINH., WASSERTEMP.	DISP. TEMP. AGUA	ENHET, VATTENTEMP.	UNITÀ, TEMP. ACQUA
UNL. CLAW	ONTLASTKLAUW	GRIFFE DE DECHARGE	ENTLASTUNGSKLAUE	GARRA DE DESCARGA	AVLASTNINGSKLO	GRIFFA DI SCARICO
UNL. VALVE	ONTLASTVENTIEL	SOUPAPE DE DECHARGE	ENTLASTUNGSVENTIL	VÁLV. DE DESCARGA	AVLASTNINGSVENTIL	VALVOLA DI MESSA A VUOTO
UNLOAD YOKE	ONTLASTJUK	PALANCHE DE DECHARGEMENT	ENTLADUNGSJOCH	BRIDA DESCARGADA	AVLASTNINGSKOK	GIOGO DI SCARICO
UNLOADER	ONTLADER	DECHARGEUR	ENTLADER	DESCARGADOR	AVLASTNINGSENHET	GRUPPO DI MESSA A VUOTO
UPPER	BOVENSTE	SUPERIEUR	OBERN	SUPERIOR	ÖVRE	SUPERIORE

V

V-CLAMP	V-KLEM	COLLIER COURROIE TRAPEZ.	V-KLEMME	ABRAZADERA EN V	KILREMSKLÄMMA	MORSETTO A "V"
V-PULLEY	V-RIEMSCHIJF	POULIE COURROIE TRAPEZ.	KEILRIEMENSCHIEBE	POLEA EN V	KILREMSLAGER	PULEGGIA A "V"
V-BELT	V-RIEM	COURROIE TRAPEZOÏDALE	KEILRIEMEN	CORREA TRAPEZOÏDAL	KILREM	CINGHIA TRAPEZOÏDALE
V-BELT GUARD	V-RIEMKAST	PROTEC., COURROIE	KEILRIEMENSCHUTZ	GUARDACORREA TRAPEZ.	KILREMSSKYDD	PROTEZIONE CINGHIA
V-BELT SET	V-RIEMSET	JEU DE COURROIES TRAP.	KEILRIEMENSATZ	JUEGO DE CORR. TRAPEZ.	SATS KILREMMAR	SERIE DI CINGHIE TRAPEZOÏDALE
VACUUM GAUGE	VACUÛMMETER	INDICATEUR DE VIDE	VAKUUMMETER	VACUÓMETRO	VÁKUUMMÄTARE	INDICATORE DI DEPRESSIONE
VACUUM SWITCH	VACUÛMSCHAKELAAR	INTERRUPTEUR DE VIDE	VAKUUMSCHALTER	INTERRUPTOR DE VACÍO	VAKUUMBRYTARE	INTERRUTTORE A DEPRESSIONE
VALVE	KLEP	SOUPAPE, VANNE	VENTIL	VÁLVULA	VENTIL	VALVOLA
VALVE - BY PASS	BY-PASS KLEP	VANNE BY-PASS	UMGEHUNGSVENTIL	VÁLVULA DE DERIVACIÓN	ÖVERSTRÖMNINGSVENTIL	VALVOLA BY-PASS
VALVE 3-WAY	3-WEG KLEP	VANNE A TROIS VOIES	DREIWEGEVENTIL	VÁLVULA DE TRES VÍAS	TREVÄGSVENTIL	VALVOLA A TRE VIE
VALVE ASSEMBLY	KLEP, COMPLEET	SOUPAPE, COMPLETE	VENTIL, KOMPL.	SISTEMA DE VÁLVULAS	VENTIL, KOMPL.	GRUPPO DELLA VALVOLA
VALVE BASE	KLEPVOET	BASE DE CLAPET	RÖHRENSOCKEL	BASE DE VÁLVULA	VENTILBAS	BASE DELLA VALVOLA
VALVE BOLT	TAPEIND	BOULON DE CLAPET	VENTILBOLZEN	PERNO DE VÁLVULA	VENTILBULT	BULLONE DELLA VALVOLA
VALVE BONNET	KLEPDEKSEL	CHAPEAU DE CLAPET	VENTILHAUBE	CASQUETE DE VÁLV.	VENTILHAUT	COPERCHIO VALVOLA
VALVE COVER	KLEPDEKSEL	COUVERCLE DE CLAPET	VENTILDECKEL	TAPA DE VÁLVULA	VENTILLOCK	CALOTTA DELLA VALVOLA
VALVE DISC	KLEPPLAAT	DISQUE DE CLAPET	VENTILTELLER	DISCO DE VÁLVULA	VENTILSKIVA	DISCO DELLA VALVOLA
VALVE FOUR WAY	4-WEG KLEP	VANNE A QUATRE VOIES	VIERWEGEVENTIL	VÁLVULA DE CUATRO VÍAS	FYRVÄGSVENTIL	VALVOLA A QUATTRO VIE
VALVE GUARD	KLEPVANGER	BUTEE DE CLAPET	VENTILSCHUTZ	GUARDAVÁLVULA	VENTILFÄNGARE	PROTEZIONE DELLA VALVOLA
VALVE GUIDE	KLEPGELEIDER	GUIDE DE CLAPET	VENTILFÜHRUNG	GUÍA DE VÁLVULA	VENTILSTYRNING	GUIDA DELLA VALVOLA
VALVE HOUSING	KLEPHUIS	BOÎTIER DE CLAPET	VENTILGEHÄUSE	CUERPO DE LA VÁLVULA	VENTILHUS	CORPO DELLA VALVOLA
VALVE NUT	KLEPWOER	ECROU DE CLAPET	VENTILMUTTER	TUERCA DE VÁLVULA	VENTILMUTTER	DADO DELLA VALVOLA
VALVE PISTON	KLEPZUIGER	CLAPET DU PISTON	VENTILKOLBEN	PISTÓN DE LA VÁLVULA	STRYPPINNE	PISTONE DELLA VALVOLA
VALVE RETAINER	KLEPHOUDER	RETENEU DE CLAPET	VENTILKÄFIG	RETÉN DE VÁLVULA	VENTILHÄLLARE	FERMO DELLA VALVOLA
VALVE ROD	KLEPSTANG	TIGE SE SOUPAPE	VENTILSTANGE	BARRA DE LA VÁLVULA	VENTILSKAFT	STELO DELLA VALVOLA
VALVE SEAT	KLEPZITTING	SIEGE DE CLAPET	VENTILSITZ	ASIENTO DE LA VÁLVULA	VENTILSÅTE	VENTE VALVOLA
VALVE SOLENOID	MAGNEETKLEP	SOUPAPE A SOLENOÏDE	MAGNETVENTIL	VÁLVULADE ACCIONAMIENTO MAGN.	VENTILSOLENOID	VALVOLA SOLENOÏDE
VENT VALVE	AFBLAASKLEP	SOUPAPE D'EVENT	ENTLÜFTUNGSVENTIL	VÁLV. DE VENTILACIÓN	LUFTNINGSVENTIL	VALVOLA DI SFATO
VESSEL	VAT	RESERVOIR	BEHÄLTER	DEPÓSITO	BEHÄLLARE	SERBATOIO
VIBR. ABSORBER	TRILLINGSDEMPEM	AMORTISSEUR DE VIBR.	SCHWINGUNGSDÄMPFER	ABSORBENTE DE LAS VIBRACIONES	VIBRATIONSDÄMPARE	VIBROASSORBITORE
VIBR. CONTROL BOX	TRILLINGSCONTROLE KAST	COFF. CONTROLE VIBRAT.	VIBR. KONTR.-KAST.	CAJA DE CONTROL DE VIBR.	VIBR. MANÖVERSKÅP	ARMADIO DI CONTROLLO VIB.
VITON	VITON	VITON	VITON	VITON	VITON	VITON
VOLTAGE REGUL.	SPANNINGSREGELAAR	REGULATEUR DE TENSION	SPANNUNGSREGLER	REGULADOR DE VOLTAJE	SPÄNNINGSREGUL.	REGOLATORE DI TENSIONE
VOLTAGE SWITCH	SPANNINGSCHAKELAAR	COMMUTATEUR DE TENSION	SPANNUNGSSCHALTER	INTERRUPTOR DE VOLTAJE	SPÄNNINGSBRYTARE	INTERRUTTORE DELLA TENSIONE
VOLTMETER	VOLTMETER	VOLTMÈTRE	VOLTMETER	VOLTIMETRO	SPÄNNINGSMÄTARE	VOLTIMETRO

W

WARNING DEVICE	VERKLIKKER	DIPOSITIF D'AVERTISSEMENT	WARNANLAGE	DISP. DE AVISO	VARNINGSSINDIKATOR	DISPOSITIVO DI ALLARME
WARNING LABEL	WAARSCHUWINGSPLAATJE	LABEL D'AVERTISSEMENT	WARNUNGSSCHILD	ETIQUETA DE ATENCIÓN	VARNINGSSKYLT	ETICHETTA DI AVVERTIMENTO
WARNING MARK	WAARSCHUWINGSPLAATJE	PLAQUETTE D'AVERTISSEMENT	WARNPLATTE	PLACA DE AVISO	VARNINGSSKYLT	SEGNO DI AVVERTIMENTO
WARNING SWITCH	WAARSCHUWINGSSCHAKELAAR	COMMUTATEUR D'AVERTISS.	WARNSCHALTER	INTERRUPTOR DE EMERGENCIA	VARNINGSBRYTARE	INTERRUTTORE DI ALLARME
WARRANTY	GARANTIE	GARANTIE	GARANTIE	GARANTÍA	GARANTIA	GARANZIA
WASHER	ONDERLEGPLAATJE	RONDELLE	UNTERLEGSCHIEBE	ARANDELA	BRICKA	RONDELLA
WATER FILTER	WATERFILTER	FILTRE A EAU	WASSERFILTER	FILTRO DE AGUA	VATTENFILTER	FILTRO DELL'ACQUA
WATER PIPE	WATERBUIS	TUYAU A EAU	WASSERROHR	TUBERÍA DE AGUA	VATTENRÖR	TUBO DELL'ACQUA
WATER RECEIVER	WATERRESERVOIR	RESERVOIR D'EAU	WASSERBEHÄLTER	RECEPTOR DEL AGUA	VATTENBEHÄLLARE	SERBATOIO PER L'ACQUA
WATER SEPARATOR	WATERAFSCHEIDER	SEPARATEUR D'EAU	WASSERABSCHIEDER	SEPARADOR DE AGUA	VATTENAVSKILJARE	SEPARATORE DELL'ACQUA
WATER TANK	WATERKANT	RESERVOIR D'EAU	WASSERBEHÄLTER	DEPÓSITO DE AGUA	VATTENTANK	SERBATOIO DELL'ACQUA
WATER TEMPERATURE GAUGE	WATERTEMPERATUURMETER	SONDE DE TEMP. DE L'EAU	WASSERTEMPÉRATURMESSER	ÍNDICE DE LA TEMP. DEL AGUA	VATTENTEMPÉRATURMÄTARE	TERMOMETRO PER L'ACQUA
WATER TEMPERATURE SWITCH	WATERTEMPERATUURSCHAKELAAR	COMM. TEMP. DE L'EAU	WASSERTEMPÉRATURSCHALTER	INTERR. DE LA TEMP. DEL AGUA	VATTENTERMOSTAT	TERMOSTATO PER L'ACQUA
WATER TUBE	WATERLEIDING	TUYAU A EAU	WASSERROHR	TUBO DE AGUA	VATTENRÖR	TUBO DELL'ACQUA
WAVE SPRING	GEGOLFDE VEERING	BAGUE A RESSORT ONDULEE	FEDERRING	MUELLE ONDULADO	VÅGFJÄDER	MOLLA ONDULATA
WEDGE	WIG	CLAVETTE	KEIL	CHAVETA	KIL	CUNEO
WELDING BEND	LASBOCHT	COUDE SOUDE	GESCHWEISSTES WINKELSTÜCK	CURVA DE SOLDADURA	SVETSKRÖK	NODO DI SILDATURA
WELDING CAP	LASDOP	CHAPEAU SOUDE	SCHWEISSKAPPE	CUBIERTA DE SOLDADURA	SVETSLÖCK	CAFFELLO DI SILDATURA
WELDING FLANGE	LASFLENS	BRIDE SOUDE	AUFSCHEISSFLANSCH	PERNO DE SOLDADURA	SVETSLÄNS	FLANGIA DI SILDATURA
WELDING NUT	LASMOER	ECROU DE SOUDAGE	AUFSCHEISSMUTTER	TUERCA DE SOLDADURA	SVETSMUTTER	DADO DI SILDATURA
WHEEL	WIEL	ROUE	RAD	RUEDA	HJUL	RUOTA
WHEEL BOLT	WIELBOUT	BOULON DE ROUE	RADSCHRAUBE	VOLANTE DEL PERNO	HJULBULT	BULLONE DELLA RUOTA
WHEEL CHOCKS	WIELBLOKKEN	CHOCES DE ROUE	UNTERLEGEKEILE	CALZOS DEL VOLANTE	BROMSKLOSSAR	CEPPI
WHEEL HOUSING	BEHUIZING V. WIEL	BOÎTIER DE ROUE	RADGEHÄUSE	CARCASA DEL VOLANTE	HJULHUS	ALLOGGIAMENTO DELLA RUOTA
WHEEL STUD	TAPEIND V. WIEL	GOUPILLE DE ROUE	RADBOLZEN	ESPÁRRAGO DEL VOLANTE	HJULBULT	PRIGIONIERO DELLA RUOTA
WINDOW	VENSTER	FENETRE	FENSTER	FENSTANILLA	FÖNSTER	FINESTRA
WINDOW PLATE	VENSTERPLAAT	PLAQUE DE FENETRE	FENSTERPLATTE	PLACA DE LA VENTANA	FÖNSTERPLÅT	PIASTRA DELLA FINESTRA
WING NUT	VLEUGELMOER	ECROU PAPILLON	FLÜGELMUTTER	TUERCA MARIPOSA	VINGMUTTER	DADO AD ALETTE
WING SCREW	VLEUGELSCHROEF	VIS PAPILLON	FLÜGELSCHRAUBE	TORNILLO MARIPOSA	VINGSKRUV	VITE AD ALETTE
WIPER	VEGER	ESSUIE-GLACE	WISCHER	CONTACTO DESLIZANTE	TORKARE	ECCENTRICO
WIRE	KABEL	CABLE	DRAHT	ALAMBRE	KABEL	CONDUTTORE
WIRE CLAMP	KABELKLEM	COSSE DE CABLE	DRAHTKLAMMER	ABRAZADERA DE ALAMBRE	KABELKLÄMMA	FERMAGLIO PER CONDUTTORE
WIRE DUCT	KABELHOUDER	COSSE DE CABLE	DRAHTSCHUTZ	CANALETA DE CABLE	KABELHÄLLARE	PROTEZIONE CONDUTTORI
WIRE HARNESS	KABELBOOM	TORON DES CABLES	DRAHTBÜNDEL	CONJUNTO DE CABLES	KABELSATS	CABLAGGIO PREASSEMBLATO
WIRE MESH HOSE	SLANG V. DRAADGAAS	FLEXIBLE A CABLES	SCHLAUCHMIT DRAHTVERSTÄRKUNG	TUBO DE MALLA DE ALAMBRE	SLANG NÄTBANDSTRANSPORTÖR	TUBO A MAGLIE PER CONDUTTORE
WIRING	BEDRADING	CABLAGE	VERDRAHTUNG	TENDIDO ELÉCTRICO	KABELLEDNING	IMPIANTO
WOOL	WOL	LAINE	WOLLE	LANA	ULL	LANA
WORM	WORM	VIS SANS FIN	SCHNECKE	TORNILLO SIN FIN	SNÄCK	VITE SENZA-FINE
WORM GEAR	WORMAANDRIJVING	ENTRAINEMENT VIS SANS FIN	SCHNECKENGETRIEBE	ENGRAN. HELICOÏDAL	SNÄCKDREV	RUOTA ELICOIDALE/GRUPPO VITIERUOTA
WORM WHEEL	WORMWIEL	ROUE A VIS SANS FIN	SCHNECKENRAD	RUEDA HELICOÏDAL	SNÄCKHJUL	RUOTA ELICOIDALE

Y

Y-COUPLING	Y-KOPPELING	RACCORD EN Y	Y-KUPPLUNG	ACOPLAMIENTO EN Y	Y-KOPPLING	ACCOPIAMENTO A Y
Y-PIPE	Y-BUIS	TUYAU EN Y	Y-ROHR	TUBERÍA EN Y	Y-RÖR	TUBO A "Y"
YOKE	JUK	PALANCHE	JOCH	HORQUILLA	OK	GIOGO

Z

Z-PROFILE	Z-PROFIEL	PROFIL EN Z	Z-PROFIL	PERFIL EN Z	Z-PROFIL	PROFILO A "Z"
ZN-PLATED	VERZINKT	GALVANISÉ	GALVANISIERT	BAÑADO DE CINC	GALVANISERAD	ZINCATO

ENGLISH	NORSK	DANSK	ΕΛΛΗΝΙΚΑ	PORTUGUÊS	SUOMI
UNDERCARRIAGE	UNDERSTELL	UNDERLAG	ΣΥΣΤΗΜΑ ΠΡΟΣΓΕΙΘΕΣΕΩΣ	BASE	ALAVANUN
UNDERVOLTAGE RELAY	UNDERSPENNINGSRELË	UNDERSPENNINGSRELÆ	ΡΕΛΕ ΠΙΩΣΗΣ ΤΑΣΗΣ	RELÉ DE TENSÃO MÍNIMA	ALIÄHNNTERELE
UNION	KOPLING	SAMLESTYKKE	ΣΩΜΑ ΤΕΙΟ	UNIÃO	PUTKILITIN
UNION ELBOW	KOPLINGSKNE	VINKELUNION	ΓΩΝΙΑΚΟ ΠΑΚΟΠ	UNIÃO EM COTOVELO	POLVILITIN
UNIT, BATT. SENS.	ENHET, BATT.FÖLER	BATTERIFÖLERENHED	ΜΟΝΑΔΑ ΑΙΣΘΗΤΗΡΑΣ ΜΠΑΤΑΡΙΑΣ	UNIDADE SENSOR DA BATERIA	AKUN VARAUSANTURI
UNIT, OIL PRESS.	ENHET, OLJETRYKK	OLJETRYKSENHED	ΜΟΝΑΔΑ ΠΙΣΤΗ ΕΛΑΙΟΥ	UNIDADE DE PRESSÃO DE ÓLEO	ÖLJYNPAINEKYSIKKÖ
UNIT, WATER TEMP.	ENHET VANNTEMP.	VANDTEMPERATURSAGGREGAT	ΜΟΝΑΔΑ ΘΕΡΜΟΚΡΑΣΙΑ ΝΕΡΟΥ	UNIDADE DE TEMP. DE ÁGUA	VEDEN LÄMPÖTILA-YKSIKKÖ
UNL. CLAW	AVLASTINGSKLO	AFLASTNINGSKLO	ΓΑΝΤΖΟΣ ΕΚΦΟΡΤΩΣΗΣ	GARRA DE DESCARGA	KEVENNYSKYNSI
UNL. VALVE	AVLASTINGSVENTIL	AFLASTNINGSVENTIL	ΒΑΛΒΙΔΑ ΕΚΦΟΡΤΩΣΗΣ	VÁLVULA DE ALÍVIO	KEVENNYSVENTTILI
UNLOAD YOKE	AVLASTNINGSÅK	AFLASTNINGSÅG	ΖΥΓΟΣ ΕΚΦΟΡΤΩΤΗ	GARFO DE DESCARGA	KEVENNYKANTA
UNLOADER	AVLASTINGSENHET	AFLASTNINGSENHED	ΕΚΦΟΡΤΩΤΗΣ	DESCARREGADOR	KEVENNYSLAITE
UPPER	ØVRE	ØVRE DEL	ΑΝΩΤΕΡΟ	SUPERIOR	YLEMPI
V					
V-CLAMP	VKLEMME	V-KLEMME	ΣΦΙΚΤΗΡΑΣ V	BRACEIRA EM V	V-KIINNITIN
V-PULLEY	REMSKIVE	KILEREMSKIVE	ΤΡΟΧΑΛΙΑ V	POLIA EM V	KILAHIHNAKYÖRÄ
V-BELT	KILEREM	KILEREM	ΙΜΑΝ ΤΑΣΣΧΗΜΑΤΟΣ V	CORREIA TRAPEZOIDAL	KILAHIHNA
V-BELT GUARD	KILEREMVERN	KILEREMSSKERM	ΠΡΟΦΥΛΑΚΤΗΡΑΣ ΙΜΑΝΤΑΣΧΗΜΑΤΟΣ V	PROTEÇÃO DA CORREIA TRAPEZOIDAL	KILAHIHNAN SUOJUS
V-BELT SET	KILEREMSETT	KILEREMSSÆT	ΣΕΙΡΑ ΙΜΑΝΤΩΝ V	JOGO DE CORREIAS TRAPEZOIDAIS	KILAHIHNASARJA
VACUUM GAUGE	VAKUUMMÅLER	VACUUMMÅLER	ΜΕΤΡΗΤΗΣ ΕΛΕΙΧΟΥ ΚΕΝΟΥ	VACUÓMETRO	ALIPAINEMITTARI
VACUUM SWITCH	VAKUUMFØRYTER	VACUUMAFBRYDER	ΔΙΑΚΟΠΤΗΣ ΚΕΝΟΥ	INTERRUPTOR DE VÁCUO	ALIPAINEKYNTIN
VALVE	VENTIL	VENTIL	ΒΑΛΒΙΔΑ	VÁLVULA	VENTTILI
VALVE - BY PASS	BYPASS-VENTIL	BYPASS-VENTIL	ΒΑΛΒΙΔΑ ΠΑΡΑΚΑΜΠΗΣ	VÁLVULA DE DESVIO	OHTUSVENTTILI
VALVE 3-WAY	3-VEIS VENTIL	3-VEJS VENTIL	ΤΡΙΟΔΗ ΒΑΛΒΙΔΑ	VÁLVULA DE TRÊS VIAS	3-TIEVENTTILI
VALVE ASSEMBLY	VENTILSETT	VENTILSÆT	ΣΥΓΚΡΟΤΗΜΑ ΒΑΛΒΙΔΑΣ	CONJUNTO DA VÁLVULA	VENTTILIASENNELMA
VALVE BASE	VENTILBUNN	VENTILUNDERLAG	ΒΑΣΗ ΒΑΛΒΙΔΑΣ	BASE DE VÁLVULA	VENTTILIN KANTA
VALVE BOLT	VENTILBOLT	VENTILBOLT	ΚΟΧΛΙΑΣ ΒΑΛΒΙΔΑΣ	PARAFUSO DA VÁLVULA	VENTTILIN KARA
VALVE BONNET	VENTILDEKSEL	VENTILHÆTTE	ΚΑΛΥΠΤΡΑ ΒΑΛΒΙΔΑΣ	CAPACETE DA VÁLVULA	VENTTILIN HÄTTÄ
VALVE COVER	VENTILLOKK	VENTILSKERM	ΚΑΛΥΜΜΑ ΒΑΛΒΙΔΑΣ	TAMPA DA VÁLVULA	VENTTILIN KANSI
VALVE DISC	SPJELD	VENTILKEGLE	ΔΙΣΚΟΕΙΔΗΣ ΒΑΛΒΙΔΑ	DISCO DA VÁLVULA	VENTTILILLAUTANEN
VALVE FOUR WAY	4-VEIS VENTIL	4-VEJS VENTIL	ΤΕΤΡΑΟΔΗ ΒΑΛΒΙΔΑ	VÁLVULA DE QUATRO VIAS	4-TIEVENTTILI
VALVE GUARD	VENTILVERN	VENTILANSLAG	ΠΡΟΦΥΛΑΚΤΗΡΑΣ ΒΑΛΒΙΔΑΣ	PROTEÇÃO DA VÁLVULA	VENTTILIN RAJOITIN
VALVE GUIDE	VENTILFØRING	VENTILSTYR	ΟΔΗΓΟΣ ΒΑΛΒΙΔΑΣ	GUIA DA VÁLVULA	VENTTILIN OHAJIN
VALVE HOUSING	VENTILHUS	VENTILHUS	ΚΑΙΧΥΦΟΣ ΒΑΛΒΙΔΑΣ	CAIXA DA VÁLVULA	VENTTILIKAMMIO
VALVE NUT	VENTILMUTTER	VENTILMØTRIK	ΠΕΡΙΚΟΧΑΙΟ ΒΑΛΒΙΔΑΣ	PORCA DA VÁLVULA	VENTTILIN MUTTERI
VALVE PISTON	VENTILSTEMPEL	VENTILSTEMPEL	ΕΜΒΟΛΟ ΒΑΛΒΙΔΑΣ	ÊMBOLO DA VÁLVULA	VENTTILIN MÄNTÄ
VALVE RETAINER	VENTILHOLDER	VENTILHOLDER	ΣΥΤΚΡΑΤΗΤΗΣ ΒΑΛΒΙΔΑΣ	RETENTOR DA VÁLVULA	VENTTILIN PIDIN
VALVE ROD	VENTILSTANG	VENTILSTANG	ΑΞΟΝΑΣ ΒΑΛΒΙΔΑΣ	HASTE DA VÁLVULA	VENTTILIN KARA
VALVE SEAT	VENTILSETE	VENTILSEDE	ΕΡΑ ΒΑΛΒΙΔΑΣ	SEDE DA VÁLVULA	VENTTILIN ISTUKKA
VALVE SOLENOID	MAGNETVENTIL	MAGNETVENTIL	ΗΛΕΚΤΡΟΜΑΓΝΗΤΙΚΗ ΒΑΛΒΙΔΑ	VÁLVULA DE SOLENOÍDE	MAGNEETTIVENTTILI
VENT VALVE	UTLUFNINGSVENTIL	UDLUFNINGSVENTIL	ΒΑΛΒΙΔΑ ΕΞΑΕΡΕΜΟΥ	VÁLVULA DE VENTILAÇÃO	ILMANPOISTOVENTTILI
VESSEL	BEHOLDER	BEHOLDER	ΔΟΧΕΙΟ	RESERVATÓRIO	ASTIA
VIBR. ABSORBER	VIBRASJONSDEMPER	VIBRATIONSDEMPE	ΑΠΟΣΒΕΣΤΗΡΑΣ ΚΡΑΔΑΣΜΩΝ, ΑΜΟΡΤΙΣΕΡ	AMORTECEDOR DE VIBRAÇÕES	VÄRÄHTELYNVAIMENNIN
VIBR. CONTROL BOX	VIBR. APPARATSKAP	VIBRATIONSKONTROLBOKS	ΚΙΒΩΤΙΟ ΑΠΟΣΒΕΣΗΣ ΚΡΑΔΑΣΜΩΝ	CAIXA DE CONTROLE DE VIBRAÇÕES	VÄRÄHTELYN SAÄTÖKOTELO
VITON	VITON	VITON	VITON	VITON	VITON
VOLTAGE REGUL.	SPENNINGREGUL.	SPENDINGREGULATOR	ΡΥΘΜΙΣΤΗΣ ΤΑΣΕΩΣ	REGULADOR DE TENSÃO	JÄNNITTEENSÄÄDIN
VOLTAGE SWITCH	SPENNINGSBRYTER	SPENDINGSKONTAKT	ΔΙΑΚΟΠΤΗΣ ΤΑΣΗΣ	INTERRUPTOR DE TENSÃO	JÄNNITEKYTKIN
VOLTMETER	SPENNINGMÅLER	VOLTMETER	ΒΟΛΤΜΕΤΡΟ	VOLTMETRO	VOLTIMITTARI
W					
WARNING DEVICE	VARSELINDIKATOR	ADVARSELANORDNING	ΣΥΣΤΗΜΑ ΠΡΟΕΙΔΟΠΟΙΗΣΗΣ	DISPOSITIVO DE AVISO	VAROITUSLAITE
WARNING LABEL	VARSELMERKE	ADVARSELSETIKET	ΠΡΟΕΙΔΟΠΟΙΗΤΙΚΗ ΕΤΙΚΕΤΑ	ETIQUETA DE AVISO	VAROITUSTARRA
WARNING MARK	VARSELSKILT	ADVARSELSSKILT	ΠΡΟΕΙΔΟΠΟΙΗΤΙΚΗ ΕΝΔΕΙΞΗ	MARCA DE AVISO	VAROITUSKILPI
WARNING SWITCH	VARSELBRYTER	ADVARSELKONTAKT	ΔΙΑΚΟΠΤΗΣ ΠΡΟΕΙΔΟΠΟΙΗΣΗΣ	INTERRUPTOR DE AVISO	VAROITUSKYTKIN
WARRANTY	GARANTI	GARANTI	ΕΓΓΥΗΣΗ	GARANTIA	TAKUU
WASHER	SKIVE	SPÆNDESKIVE	ΡΟΔΕΛΑ	ANILHA	ALUSLAATTA
WATER FILTER	VANNFILTER	VANDFILTER	ΦΙΛΤΡΟ ΝΕΡΟΥ	FILTRO DE ÁGUA	VEDENSUODATIN
WATER PIPE	VANNRØR	VANDRØR	ΣΩΛΗΝΑΣ ΝΕΡΟΥ	CANO DE ÁGUA	VESIPUTKI
WATER RECEIVER	VANNBEHOLDER	VANDBEHOLDER	ΣΥΛΛΕΚΤΗΣ ΝΕΡΟΥ	RESERVATÓRIO DE ÁGUA	VESISÄILÖ
WATER SEPARATOR	VANNSEPARATOR	VANDSEPARATOR	ΔΙΑΧΩΡΙΣΤΗΡΑΣ ΝΕΡΟΥ	SEPARADOR DE ÁGUA	VEDENEROTIN
WATER TANK	VANN-TANK	VANDTANK	ΔΟΧΕΙΟ ΝΕΡΟΥ	TANQUE DE ÁGUA	VESISÄILÖ
WATER TEMPERATURE GAUGE	VANNTEMPERATURMÅLER	VANDTEMPERATURMÅLER	ΘΕΡΜΟΚΡΑΣΙΑΣ ΝΕΡΟΥ	TERMÓMETRO DA ÁGUA	VEDEN LÄMPÖTILA
WATER TEMPERATURE SWITCH	VANNTEMPERATURBRYTER	VANDTEMPERATURAFBRYDER	ΔΙΑΚΟΠΤΗΣ ΘΕΡΜΟΚΡΑΣΙΑΣ ΝΕΡΟΥ	INTERRUPTOR DE TEMPERATURA DA ÁGUA	VEDENLÄMPÖTILAKYTKIN
WATER TUBE	VANNSLANGE	VANDSLANGE	ΣΩΛΗΝΑΣ ΝΕΡΟΥ	TUBO DE ÁGUA	VESIJOHTO
WAVE SPRING	BØLGEFJÆR	BØLGEFJEDER	ΚΥΜΑΤΟΕΙΔΗΣ ΕΑΛΤΗΡΙΟ	ANILHA DE MOLA	AALTOJOUSSI
WEDGE	KILE	KILE	ΣΦΗΝΑ	CUNHA	KILLA
WELDING BEND	SVEISEBEND	SVEISEBØJNING	ΣΥΤΚΟΛΑΗΤΗ ΚΑΜΙΗ	CURVATURA DE SOLDAGEM	HITSATTU MUTKA
WELDING CAP	SVEISESKJERM	SVEISESKJERM	ΣΥΤΚΟΛΑΗΤΟ ΚΑΠΑΚΙ	TAMPA DE SOLDAGEM	HITSATTU KANSI
WELDING FLANGE	SVEISEFLANGE	SVEISEFLANGE	ΣΥΤΚΟΛΑΗΤΗ ΦΑΝΤΖΑ	FLANGE DE SOLDAR	HITSATTU LAIPPA
WELDING NUT	SVEISEMUTTER	SVEISEMØTRIK	ΣΥΤΚΟΛΑΗΤΟ ΠΕΡΙΚΟΧΑΙΟ	PORCA DE SOLDAR	HITSATTU MUTTERI
WHEEL	HJUL	HJUL	ΤΡΟΧΟΣ	RODA / VOLANTE	PYÖRÄ
WHEEL BOLT	HJULBOLT	HJULBOLT	ΜΠΟΥΛΟΝΙ ΤΡΟΧΟΥ	PARAFUSO DA RODA	PYÖRÄN PULTTI
WHEEL CHOCKS	HJULKILER	STOPKLODSE	ΤΑΚΟΙ ΤΡΟΧΩΝ	CALÇOS DA RODA	VIERINTÄESTIET
WHEEL HOUSING	HJULKASSE	HJULKASSE	ΚΑΛΥΜΜΑ ΤΡΟΧΟΥ	TAMPÃO DA RODA	PYÖRÄN PESÄ
WHEEL STUD	HJULTAPP	HJULTAP	ΠΕΡΙΟΣ ΤΡΟΧΟΥ	RODA INTERMEDIÁRIA	PYÖRÄN VAARNARUUVI
WINDOW	VINDU	VINDUE	ΠΑΡΑΘΥΡΟ	JANELA	IKKUNA
WINDOW PLATE	VINDUSPLATE	VINDUESPLADE	ΤΖΑΜΙ ΠΑΡΑΘΥΡΟΥ	PLACA DA JANELA	IKKUNARUUTU
WING NUT	VINGEMUTTER	VINGEMØTRIK	ΠΤΕΡΥΓΩΤΟ ΠΕΡΙΚΟΧΑΙΟ	PORCA DE ORELHAS	SIIPIMUTTERI
WING SCREW	VINGESKRUE	VINGESKRUE	ΠΤΕΡΥΓΩΤΟΣ ΚΟΧΛΙΑΣ	PARAFUSO DE ORELHAS	SIIPIRUUVI
WIPER	VINDUSVISKER	VINDUESVISKER	ΥΑΛΟΚΑΘΑΡΙΣΤΗΡΑΣ	ALAVANCA DE CONTACTO	PYYHIN
WIRE	WIRE	KABEL/WIRE	ΣΥΡΜΑ, ΚΑΛΩΔΙΟ, ΑΓΩΓΟΣ	CABO	JOHTO
WIRE CLAMP	WIREKLEMME	WIREKLEMME	ΣΦΙΚΤΗΡΑΣ ΚΑΛΩΔΙΟΥ	BRACEIRA DE CABO	JOHTOPURISTIN
WIRE DUCT	KABELHOLDER	KABEL-WIRE-HOLDER	ΑΓΩΓΟΣ ΣΥΡΜΑΤΟΣ	PROTEÇÃO DE CABOS	KAAPELIKOURU
WIRE HARNESS	LEDNINGSNETT	KABEL-WIRE-SÆT	ΣΥΝΔΕΣΜΟΛΟΓΙΑ ΣΥΡΜΑΤΩΝ	CHICOTE DE CABOS	JOHDINSARJA
WIRE MESH HOSE	ARMERET SLANGE	ARMERET SLANGE	ΕΛΑΣΤΙΚΟΣ ΣΩΛΗΝΑΣ ΠΛΕΘΥΝΑΣ ΚΑΛΩΔΙΩΝ	MANGUEIRA EM TELA DE ARAME	METALLIKUDOSVAHVIKKEINEN LETKU
WIRING	LEDNINGER	LEDNINGER	ΚΑΛΩΔΙΩΣΗ	CABLAGEM	JOHDOTUS
WOOL	ULL	ULD	ΒΑΜΒΑΚΑΣ	LÃ	VILLA
WORM	SNEKKE	SNEKKE	ΑΤΕΡΜΩΝ	PARAFUSO SEM FIM	KIERUKKA
WORM GEAR	SNEKKEDREV	SNEKKEDREV	ΑΤΕΡΜΩΝ ΚΟΧΛΙΑΣ	ENGRENAGEM HELICOIDAL	KIERUKKAWAIHDE
WORM WHEEL	SNEKKEHJUL	SNEKKEHJUL	ΑΤΕΡΜΩΝ ΟΑΧΟ ΤΡΟΧΟΣ	ENGRENAGEM HELICOIDAL	KIERUKKAPYÖRÄ
Y					
Y-COUPLING	STJERNEKOPLING	Y-SAMLING	ΣΥΝΔΕΣΜΟΣ ΣΧΗΜΑΤΟΣ Y	ACOPLAMENTO EM Y	Y-LITIN
Y-PIPE	GRØNDRØR	Y-RØR	ΣΩΛΗΝΑΣ ΣΧΗΜΑΤΟΣ Y	TUBO EM Y	Y-PUTKI
YOKE	ÅK	ÅG	ΖΥΓΟΣ	FORQUILHA	IES
Z					
Z-PROFILE	Z-PROFIL	Z-PROFIL	ΔΙΑΤΟΜΗ Z	PERFIL EM Z	Z-PROFILLI
ZN-PLATED	GALVANISERT	GALVANISERET	ΕΠΙΠΡΕΥΑΑΡΓΥΡΩΜΕΝΟΣ	ZINCADO	SINKITY



www.atlascopco.com

Printed in Belgium 12/2002 - 2954 0254 00

**Parts List
for AC Generators**

QAS366 Gd USA

