

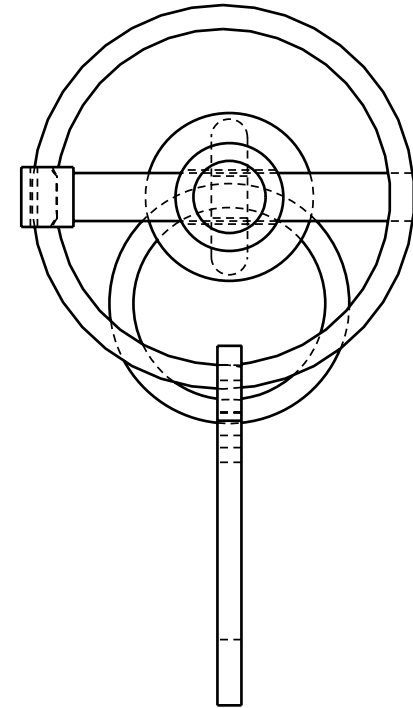
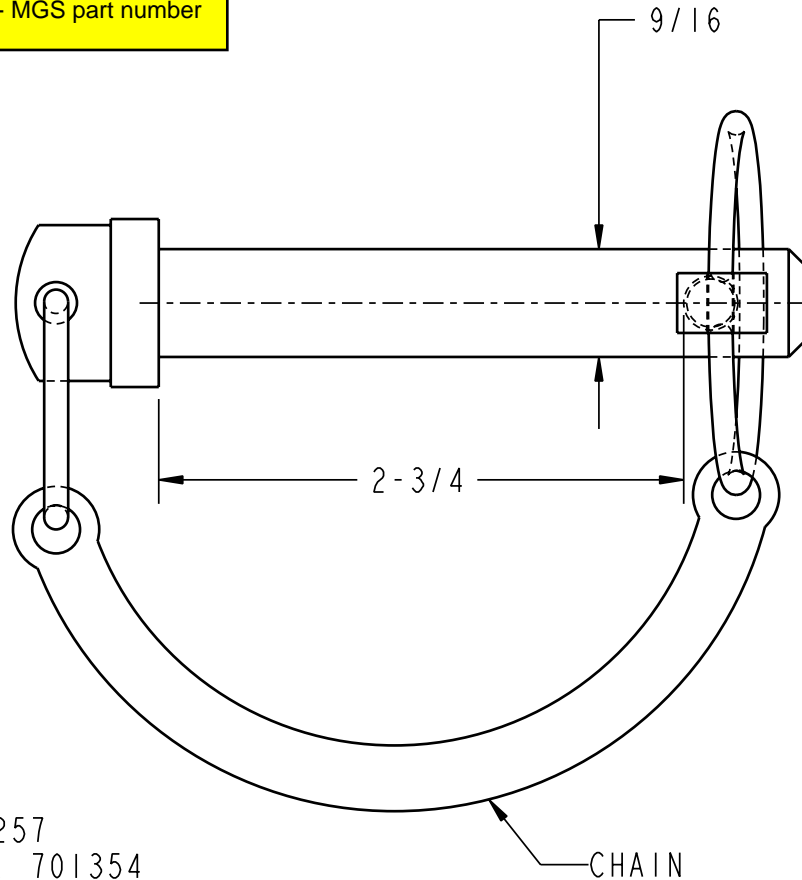
SIZE: A

55726

APPROVED VENDOR:
POTTSTOWN PLATING WORKS

Pin - 55726 - MGS part number

THIS PIN ASSEMBLY IS SUPPLIED WITH JACK ASSEMBLY FROM CEQUENT. REMOVE PINS FROM JACK WA 52253 AND 52254 BEFORE PAINT. WHEN QUANTITY OF PINS IS SUFFICIENT SEND TO POTTSTOWN PLATING WORKS.



MGS NO. 23257
CEQUENT NO. 701354
DO NOT PURCHASE PIN
USE FROM PREVIOUS JACK WA

PLATING- .0003 ZINC BLACK EPIGARD 10 POLYMER

			EST. WGT. (LB) 0.4	MANUF. NOTE	MATERIAL PURCHASED				
			<small>THIS DRAWING AND DESIGN, INCLUDING ALL PATENTED AND PATENTABLE FEATURES SEPARATELY OR COLLECTIVELY SHOWN ARE THE PROPERTY OF MGS, INC. AND ARE NOT TO BE REPRODUCED IN WHOLE OR PART NOR EMPLOYED FOR ANY PURPOSE OTHER THAN SPECIFICALLY PERMITTED IN WRITING BY MGS, INC. THIS DRAWING IS LOANED SUBJECT TO RETURN ON DEMAND.</small>		DESCRIPTION PIN - BLACK EPIGARD				
			THIRD ANGLE PROJECTION	<small>UNLESS OTHERWISE SPECIFIED: ALL DIMENSIONS ARE IN INCHES. ALL TOLERANCES ARE: 0.XXX ±.015 0.XX ±.03 FRACTIONS ±1/16 ANGLES ±1°</small>	DRAWN	DEM	Nov-02-04	PART NUMBER 55726	REV.
					CHECKED				
REV	BY	DATE	CHANGE		SCALE	1.000	DO NOT SCALE DRAWING	178 MUDDY CREEK CHURCH ROAD DENVER, PA. 17517 INCORPORATED	