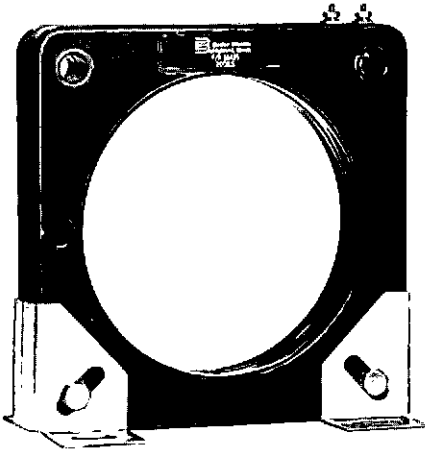


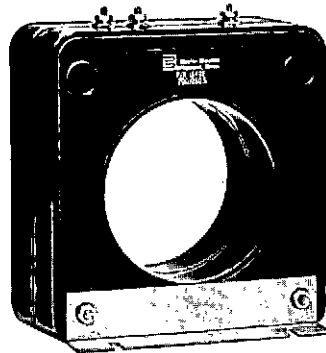
CURRENT TRANSFORMERS

for
Parallel Reactive Load Division

Window Type, 600 Volts



MODELS CT10, CT12, CT15,
CT20, CT30, CT40 and CT50



MODELS CT2, CT3 and CT5

APPLICATION:

Basler Electric Company offers a series of standard 5 ampere secondary current transformers for parallel reactive load division. They are intended for use with Basler voltage regulators with the paralleling module or equivalent equipment that uses transformers for instrument and relaying applications. They meet ANSI specifications as shown in Table 1. The CTs are available from 200 to 5000 amperes primary current. These units are appropriate for indoor use or in outdoor weather-protected enclosures. The CT's conservative design and rugged construction assures many years of trouble-free performance and reliability.

To use these transformers for voltages above 600 volts, appropriate insulation must be provided for the cable or bus passing through the CT's window.

FEATURES:

- Standard 5 amp secondary.
- Designed for 600 volt indoor systems.
- 200 to 5000 primary amperes.
- Meets ANSI metering and relay accuracy requirements.
- Meets requirements of U.L. 1244 and revisions.
- Adaptable for bushing mount or surface mount using mounting brackets supplied.
- Meets requirements of I.E.C. 185.

FEATURES AND APPLICATIONS

this page

SPECIFICATIONS & ORDERING INFORMATION

page 2

EXCITATION CURVES

page 3

OUTLINE DRAWINGS

page 4

B Basler Electric

P. O. BOX 269 HIGHLAND, ILLINOIS 62249, U.S.A. PHONE 618-654-2341 FAX 618-654-2351

SPB-6
3-96

SPECIFICATIONS:

- **RATINGS:** See Table 1 and Figure 1.
- **OPERATING VOLTAGE - PRIMARY:** 600 VAC maximum.
- **DIELECTRIC STRENGTH:** Withstands 2.5kV at 60 Hz for 1 minute (secondary to ground).
- **IMPULSE LEVEL:** 10 kV, full wave.
- **OPERATING FREQUENCY:** 50-400 Hz.
- **CONTINUOUS THERMAL CURRENT RATING FACTOR:** 1.33 at 30°C Ambient; 1.0 at 55°C Ambient.
- **SIZE:** See Figures 2, 3 and 4.
- **WEIGHT:** See Table 1.
- **TERMINALS:** Brass studs (8-32 UNC) with one flat washer, lockwasher, and nut.
- **CASE:** High-impact, molded back plastic.
- **INDUSTRY STANDARDS:** Meets requirements of U.L. 1244 and revisions. Meets ANSI requirements for metering or relaying accuracy. See Table 1.

HOW TO ORDER:

Specify by model number and description using Table 1.

MODEL NUMBER	BASLER PART NUMBER	CURRENT RATIO (AMPERES)	ANSI RELAY CLASS	ANSI METERING CLASS (60 Hz)					WINDING RESISTANCE OHMS (25°C)	NET WEIGHT (lbs.)	SHIPPING WEIGHT (lbs.)
				B0.1	B0.2	B0.5	B0.9	B1.8			
CT2	16492	200:5	C10	0.6	0.6	1.2	2.4	--	0.075	9	11
		250:5	C10	0.3	0.6	1.2	1.2	2.4	0.093		
CT3	16493	320:5	C10	0.3	0.3	0.6	1.2	2.4	0.112	9	11
		400:5	C20	0.3	0.3	0.3	0.6	1.2	0.149		
CT5	16494	500:5	C20	0.3	0.3	0.3	0.6	1.2	0.186	9	11
		600:5	C20	0.3	0.3	0.3	0.3	0.6	0.224		
		750:5	C20	0.3	0.3	0.3	0.3	0.3	0.28		
CT10	16495	1000:5	---	0.3	0.3	0.3	1.2	---	0.184	2.8	4.8
CT12	16496	1200:5	---	0.3	0.3	0.3	0.6	1.2	0.245	2.9	4.9
CT15	16497	1500:5	---	0.3	0.3	0.3	0.3	0.6	0.275	3.1	5.1
CT20	16498	2000:5	---	0.3	0.3	0.3	0.3	0.3	0.34	3.3	5.3
CT30	16499	3000:5	---	0.3	0.3	0.3	0.3	0.3	0.52	3.7	5.7
CT40	16500	4000:5	---	0.3	0.3	0.3	0.3	0.3	0.70	3.9	5.9
CT50	16501	5000:5	---	0.3	0.3	0.3	0.3	0.3	1.25	5.5	7.5

TABLE 1. ELECTRICAL RATINGS

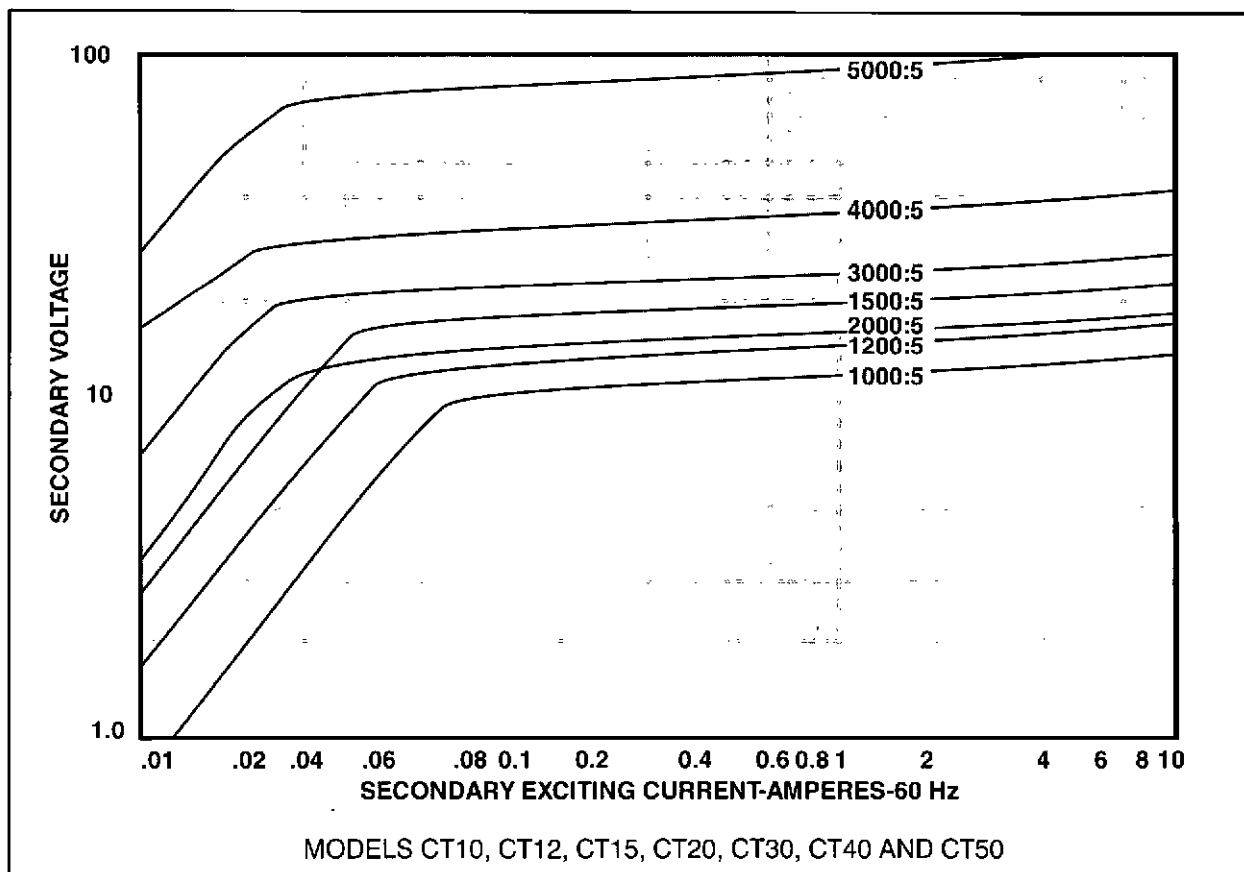
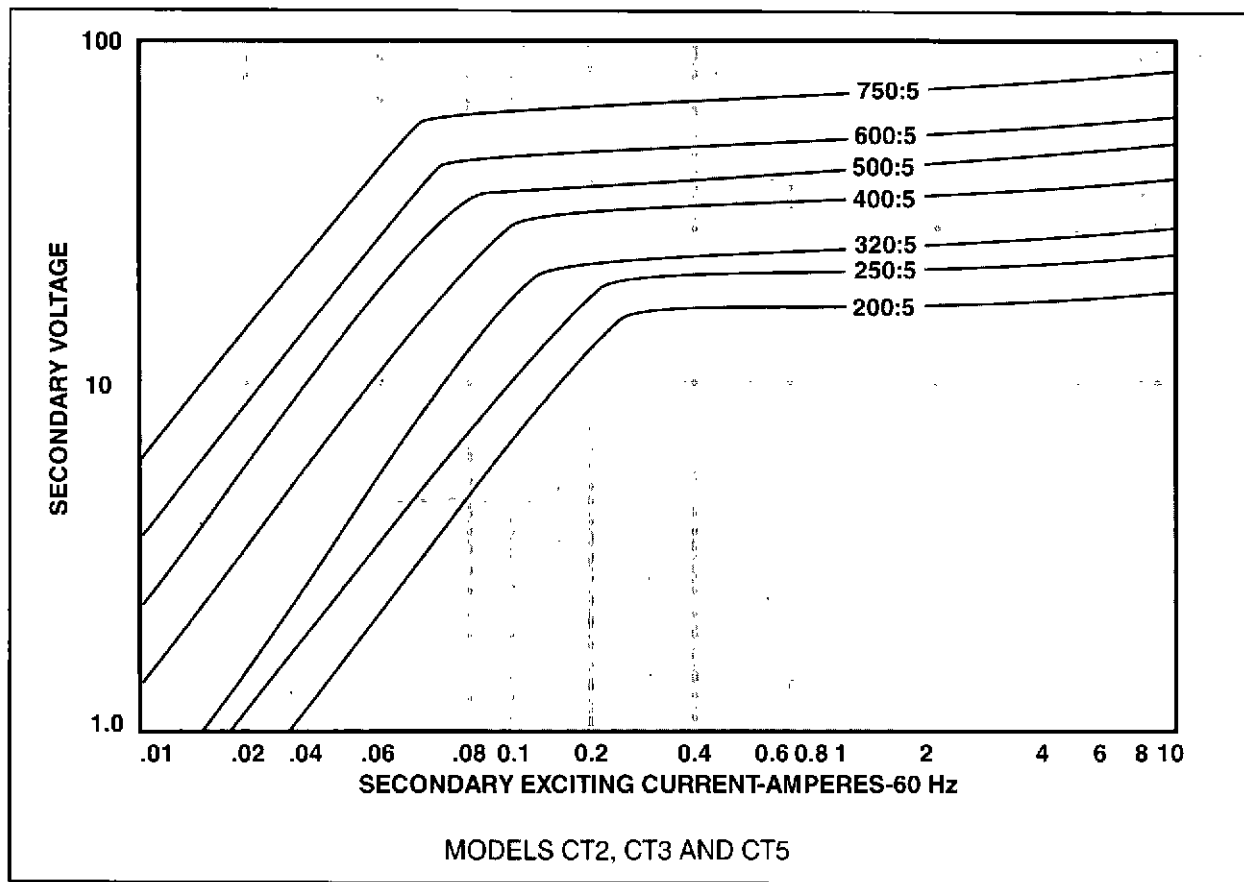


FIGURE 1. EXCITATION CURVES

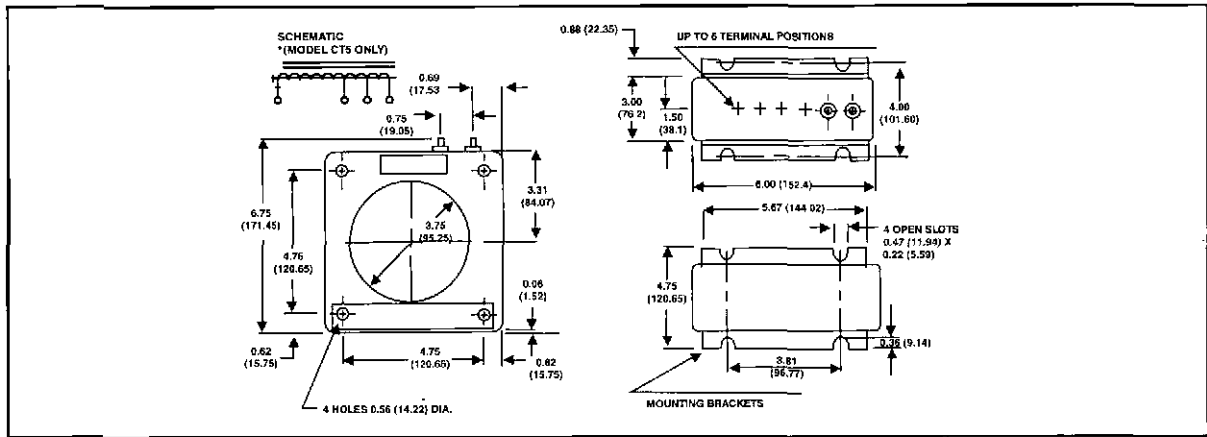


FIGURE 2. OUTLINE DRAWING (MODELS CT2, CT3, CT5)

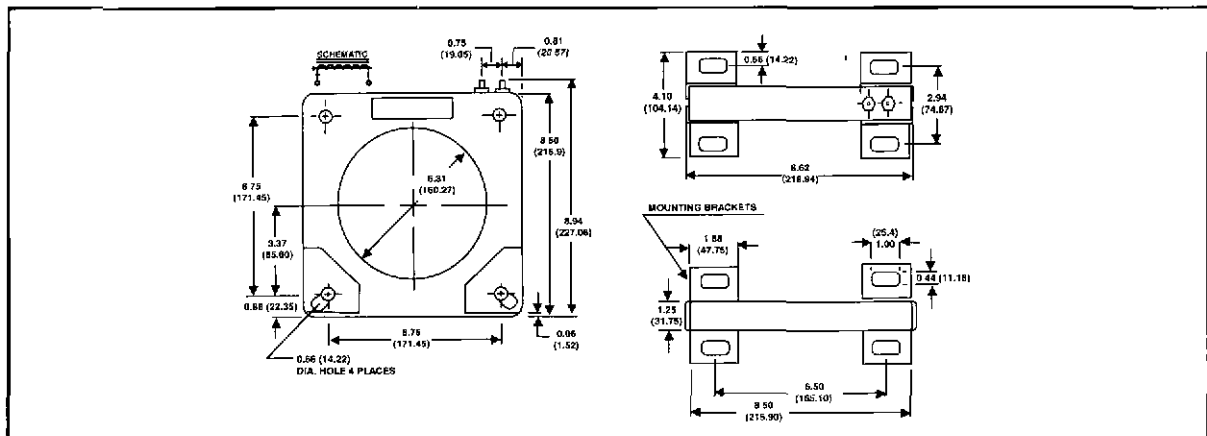


FIGURE 3. OUTLINE DRAWING (MODELS CT10, CT12, CT15, CT20, CT30, CT40)

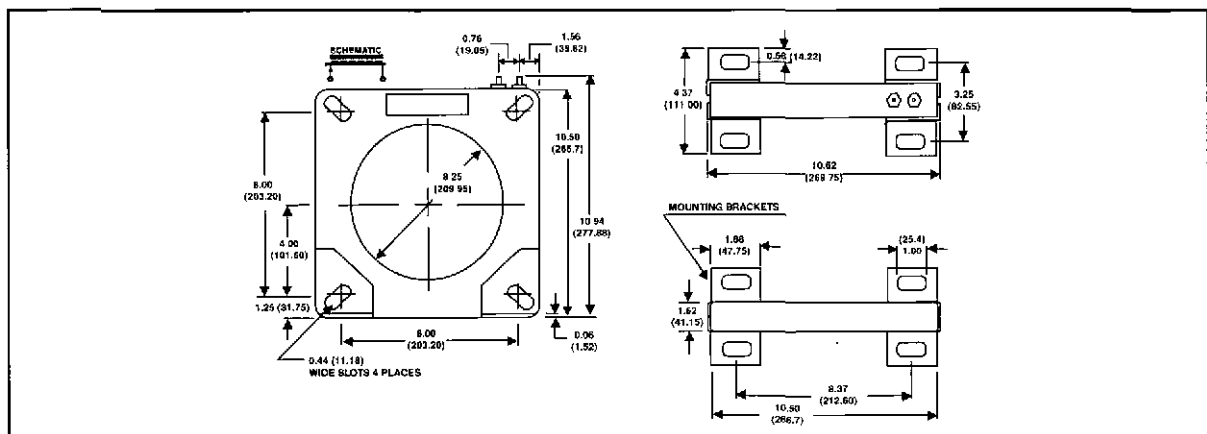


FIGURE 4. OUTLINE DRAWING (CT50)

- NOTES: 1. Dimensions in parentheses are in millimeters.
2. All drawings and data subject to change without notice.

B Basler Electric

P. O. BOX 269 HIGHLAND, ILLINOIS 62249, U.S.A. PHONE 618-654-2341 FAX 618-654-2351