

These expansion modules eliminate the need for expensive external devices by providing additional contact and analog inputs and outputs to certain Basler Electric products.

FEATURES

- **AEM-2020 Analog Expansion Module**
 - Eight analog inputs
 - Eight resistance temperature device (RTD) inputs
 - Two Type K thermocouple inputs
 - Four analog outputs
 - Inputs and outputs are configurable for 4 to 20 mA and 0 to 10 Vdc ranges
 - Controller Area Network (CAN) communication protocol
 - Compatible with DGC-2020, DGC-2020HD, DECS-250, DECS-250N, and IEM-2020
- **CEM-2020 Contact Expansion Module**
 - Ten dry contact inputs
 - Twenty-four contact outputs with the CEM-2020
 - Inputs and outputs programmable through BESTCOMSPPlus® software
 - CAN communication protocol
 - Compatible with DGC-2020ES, DGC-2020, DGC-2020HD, DECS-250, DECS-250N, and IEM-2020

BENEFITS

- **AEM-2020 Analog Expansion Module**
 - Easily connects to compatible devices when additional analog I/O is required to meet difficult specifications.
 - Rugged, potted design for the ultimate in reliability for extreme environmental applications.
 - Connects to compatible devices via CAN bus and automatically integrates into the BESTCOMSPPlus® PC software. Fast to configure, simplifying commissioning of complicated systems.
 - Combine this additional I/O with the powerful programmable logic of the DGC-2020, DGC-2020HD, DECS-250, or IEM-2020 and eliminate the need for an additional PLC or other peripheral devices, saving installation and purchasing costs.
 - Easily-assigned trip points for the analog inputs can be scaled by the user to directly reflect the measured parameter.
 - A wide variety of generator parameters can easily be integrated into an overall protection and metering scheme to meet virtually any specification.
- **CEM-2020 Contact Expansion Module**
 - The rugged, potted design of the CEM-2020 provides ultimate reliability in extreme environments.
 - Enables easy addition of contact inputs and outputs through logic, reducing the need for external control devices, which saves both time and money.
 - Connects to compatible devices via CAN bus and automatically integrates into BESTCOMSPPlus software for simple, quick configuration of complicated systems.

Visit WWW.BASLER.COM
FOR ADDITIONAL INFORMATION.

SPECIFICATIONS

Power Supply

Nominal:	12 to 24 Vdc
Range:	8 to 32 Vdc
Burden:	
AEM-2020:	5.1 W
CEM-2020:	14 W

Analog Inputs (AEM-2020 only)

Number of Inputs:	8
Voltage Configuration:	0 to 10 Vdc
Voltage Burden:	9.65 kΩ minimum
Current Configuration:	4 to 20 mAcd
Current Burden:	470 Ω maximum

RTD Inputs (AEM-2020 only)

Number of Inputs:	8
Rating:	100 Ω platinum or 10 Ω copper
Setting Range:	-50°C to 250°C (-58°F to 482°F)
Accuracy (10 Ω copper):	±0.044 Ω at 25°C
Accuracy (100 Ω platinum):	±0.39 Ω at 25°C

Thermocouple Inputs (AEM-2020 only)

Number of Inputs:	2
Rating:	Type K
Setting Range:	0 to 1,378°C (0 to 2,507°F)
Accuracy:	±40 μV at 25°C

- **Analog Outputs (AEM-2020 only)**
- Voltage Configuration: 0 to 10 Vdc
- Current Configuration: 4 to 20 mAcd
- **Contact Inputs (CEM-2020 only)**
- Number of Inputs: 10
- Programmable: Yes
- Contact Type: Accepts dry contacts
- **Contact Outputs (CEM-2020 only)**
- CEM-2020 Rating:
- Outputs 1 through 12: 1 Adc, 30 Vdc, Form C, gold contacts
- Outputs 13 through 24: 4 Adc, 30 Vdc, Form C
- **Communication**
- CAN bus:
- Differential Bus Voltage: 1.5 to 3 Vdc
- Maximum Voltage: -32 to +32 Vdc
- Communication Rate: 250 kB/s
- **Agency/Certifications**
- CSA certified, UL approval, Hazardous Locations
- Class I, Div 2 - Groups A, B, C, and D, CE EMC and
- LVD compliant, NFPA compliant, EAC certified

- **Environmental**
- Operating Temp: -40°C to 70°C (-40°F to 158°F)
- Storage Temp: -40°C to 85°C (-40°F to 185°F)
- Humidity: IEC 68-2-38
- Shock: 15 G in three perpendicular planes
- Vibration:
- 5 to 29 Hz: 1.5 G peak for 5 min.
- 29 to 52 Hz: 0.036 in. double amplitude
- 52 to 500 Hz: 5 G peak for 7.5 min.

Physical

- Weight:
- AEM-2020: 1.80 lb (0.82 kg)
- CEM-2020: 2.25 lb (1.02 kg)
- Dimensions (WxHxD):
- AEM-2020: 6.38 x 8.38 x 2.23 inches
(162.0 x 212.8 x 56.6 mm)
- CEM-2020: 6.38 x 8.38 x 2.02 inches
(162.0 x 212.8 x 51.3 mm)

For complete specifications, download the instruction manual at www.basler.com.

RELATED PRODUCTS

- [DGC-2020 Digital Genset Controller](#)
 - Provides genset and transfer switch control, metering, protection, and programmable logic in a simple, easy to use, reliable, rugged, and cost effective package.
- [DGC-2020ES Digital Genset Controller](#)
 - The total system solution for emergency and stand-alone genset applications.
- [DGC-2020HD Digital Genset Controller](#)
 - A highly advanced integrated genset control system for stand-alone and paralleled genset applications.
- [BE1-11g Generator Protection System](#)
 - A complete generator control and protection system.
- [DECS-150 Digital Excitation Control System](#)
 - Provides precise voltage regulation, exceptional system response, and valuable protection of the generator and excitation system.
- [DECS-250 Digital Excitation Control System](#)
 - Provides precise voltage, var and Power Factor regulation, exceptional system response, and generator protection.
- [DECS-250N Digital Excitation Control System with Negative Forcing](#)
 - Provides the same functionality as the DECS-250 with negative field-forcing capabilities.
- [IEM-2020 Industrial Engine Module](#)
 - An advanced, easy-to-use, rugged engine controller that enables use of highly customized profiles in most engine control schemes.

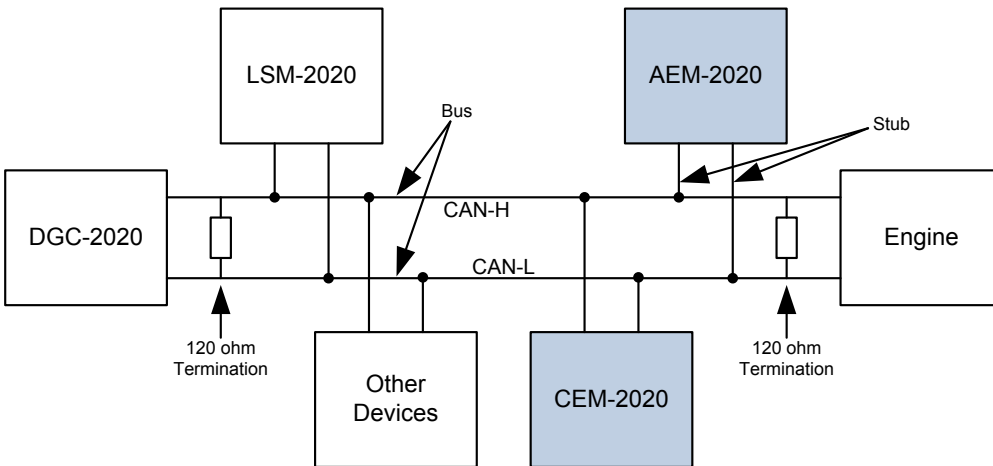


Figure 1 - AEM-2020 and CEM-2020 CAN Bus Interface



12570 Route 143, Highland, Illinois 62249-1074 USA
 Tel +1 618.654.2341 Fax +1 618.654.2351
 email: info@basler.com www.basler.com

No. 59 Heshun Road Loufeng District (N),
 Suzhou Industrial Park, 215122, Suzhou, P.R.China
 Tel + 86.512.8227.2888 Fax + 86.512.8227.2887
 e-mail: chinainfo@basler.com

111 North Bridge Road #15-06 Peninsula Plaza
 Singapore 179098
 Tel + 65 68.44.6445 Fax + 65 68.44.8902
 e-mail: singaporeinfo@basler.com