



# G-PAC INSTALL GUIDE

Generator Diesel Engine Set

POLUS

P126TI



**STANDARD ACCESSORY PARTS LIST for P126TI G-DRIVE ENGINE**

 INSPECTION DATE  
 2001. 03. 05

GROUP	NO	SERIAL NO	PART NO.	PART NAME	Q'TY	REMARKS
RADIATOR	1	0120	68.06101-7120	RADIATOR ASSY(275KW)	1	
	6	0150	68.96301-0268	HOSE, RUBBER(INLET)	1	φ75
	7	0240	06.67020-0110	CLAMP, HOSE NW S40	10	φ33 ~ φ76
	8	0190	06.56190-0703	RING,SEAL	1	
	9	0180	68.71010-0231	NIPPLE, UNION CH8	1	
	10	0170	68.06301-0043	PIPE,AIR VENT	1	
	11	0220	S8450006	CLAMP, HOSE	4	φ6 ~ φ15
	12	0210	04.27405-0104	HOSE, RUBBER, φ14X60	2	φ14
	15	0130	68.06301-0039	PIPE, C/W(OUTLET)	1	
	14	0160	04.27415-0116	HOSE, RUBBER, φ72X140	2	φ72
AIR CLEANER	1	0270	68.08300-7059A	AIR CLEANER ASS'Y	1	-7059 호환성
	3	0280	68.08342-5017	BAND AIR CLEANER	2	
	9	0290	68.08340-5033	BRACKER FOR AIR CLE	1	
	14	0310	68.16250-6017	INDICATOR,SERVICE	1	67.16250-6002
	7	0330	68.08310-0017	HOSE FLEXIBLE	1	φ131, φ138
	8	0350	06.67020-0117	CLAMP HOSE ( 96-140 )	1	φ96 ~ φ140
	15	0370	06.67020-0121	CLAMP, HOSE(φ121-φ1	1	
EX. SYSTEM	8	0420	68.15211-5049	BELLOWS	1	
			67.15902-0003	GASKET, BELLOWS	1	
		0430	68.11219-0001	COVER, INJ'PUMP	1	
		0440	68.11220-0001	SUPPORT,I/PUMP	2	
SENSOR			65.11220-7001	CONTROLLER, ACTUATOR	1	INSIDE OF ENGINE
SERVICE PARTS			65.05510-5020A	CATRIDGE ASS'Y, OIL	1	INSIDE OF ENGINE
			65.12503-5011D	CATRIDGE ASS'Y, FUEL	1	INSIDE OF ENGINE
			65.99898-8048	PART BOOK(혼용)	1	INSIDE OF ENGINE
			65.99897-8050	MAINTENANCE MANUAL(영문)	1	INSIDE OF ENGINE
			65.99892-8051	OPERATION MANUAL(영문)	1	INSIDE OF ENGINE

Faint, illegible text, possibly bleed-through from the reverse side of the page. The text is arranged in several paragraphs and is mostly centered on the page.





# P126TI WORK LIST



KS A 3001 / ISO 9001  
APPROVED BY KOREAN REGISTER OF QUALITY

## P126TI GEN.ENGINE WORK LIST (275kW BASE)

GROUP-SERIAL	PART NO	PART NAME	Q`TY	REMARK
<b>RADIATOR &amp; INTER COOLER</b>				
011-1010	68.06101-7120	RADIATOR & INTER COOLER ASS`Y	1	
1020	68.96301-0268	PIPE, COOLING WATER(INLET)	1	
1030	06.67020-0110	CLAMP, HOSE NW S40	10	
1040	06.56190-0703	RING, SEAL	1	
1050	68.71010-0231	NIPPLE, UNION	1	
1060	68.06301-0043	PIPE, AIR VENT	1	
1070	S8450006	CLAMP, HOSE	4	
1080	04.27405-0104	HOSE, RUBBER (Φ8x60)	2	
1090	68.06301-0039	PIPE, COOLING WATER(OUTLET)	1	
1100	04.27405-0116	HOSE, RUBBER (Φ8x140)	2	
<b>AIR CLEANER</b>				
012-2010	68.08300-7059	AIR CLEANER ASS'Y	1	
2020	68.08304-6029	ELEMENT, AIR CLEANER	(1)	INCLUDED in AIR CLEANER ASS`Y
2030	68.08342-5017	BAND, AIR CLEANER	2	
2040	68.08340-5033	BRACKET, AIR CLEANER	1	
2050	68.16250-6017	INDICATOR, SERVICE	1	
2060	68.08310-0017	HOSE, FLEXIBLE	1	
2070	06.67020-0117	CLAMP, HOSE (Φ96-Φ140)	2	
2080	06.67020-0121	CLAMP, HOSE	2	
<b>EXHAUST SYSTEM</b>				
013-3010	68.15211-5049	BELLOWS	1	
3020	68.11219-0001	COVER, INJECTION PUMP	1	
3030	68.11220-0001	SUPPORT, INJECTION PUMP	2	
<b>SENSOR &amp; ELECTRICAL</b>				
014-4010	65.11220-7001	CONTROLLER, ACTUATOR	1	
<b>SERVICE PARTS</b>				
015-5010	65.12503-5011B	CARTRIDGE, FUEL FILTER	1	
5020	65.05510-5020	CARTRIDGE, OIL FILTER	1	
5030	65.99898-8048	PARTS BOOK (E/G)	1	
5040	65.99892-8051	MANUAL, E/G OPERATION	1	
5050	65.99897-8050	MANUAL, E/G MAINTENANCE	1	



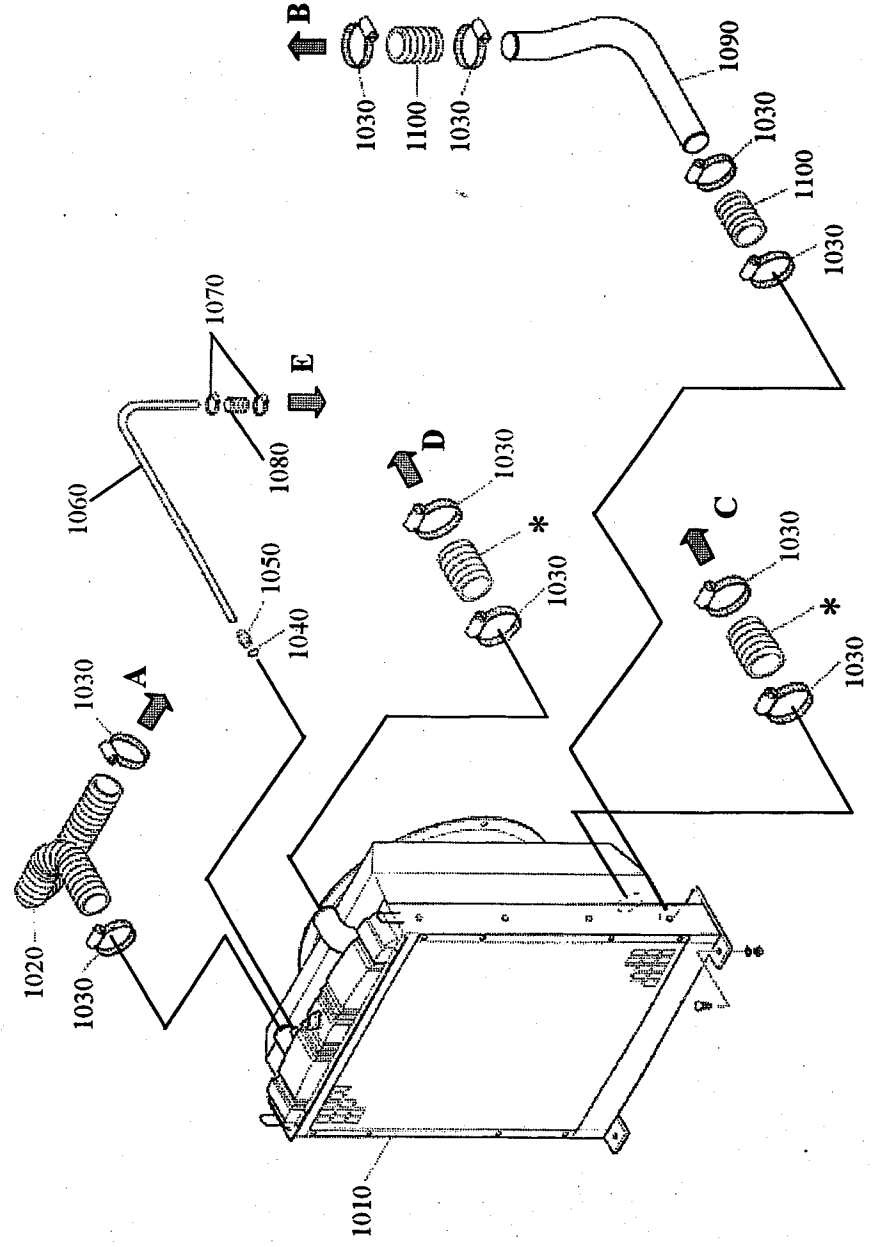
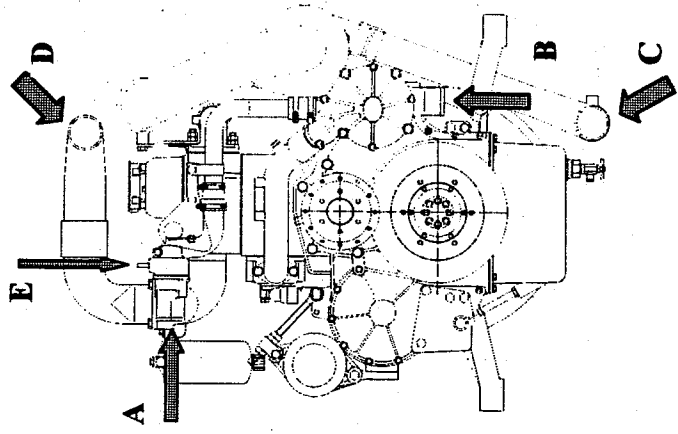


# P126TI G-PAC INSTALL



APPROVED BY AUTUMN REGISTRATION (IP 1998/1999)

## GROUP : RADIATOR & INTERCOOLER : 011-



\* : INCLUDED in ENGINE ASS'Y

Printed in Dec. 1999 PS-SUG0515-EDC

DAEWOO HEAVY INDUSTRIES LTD.

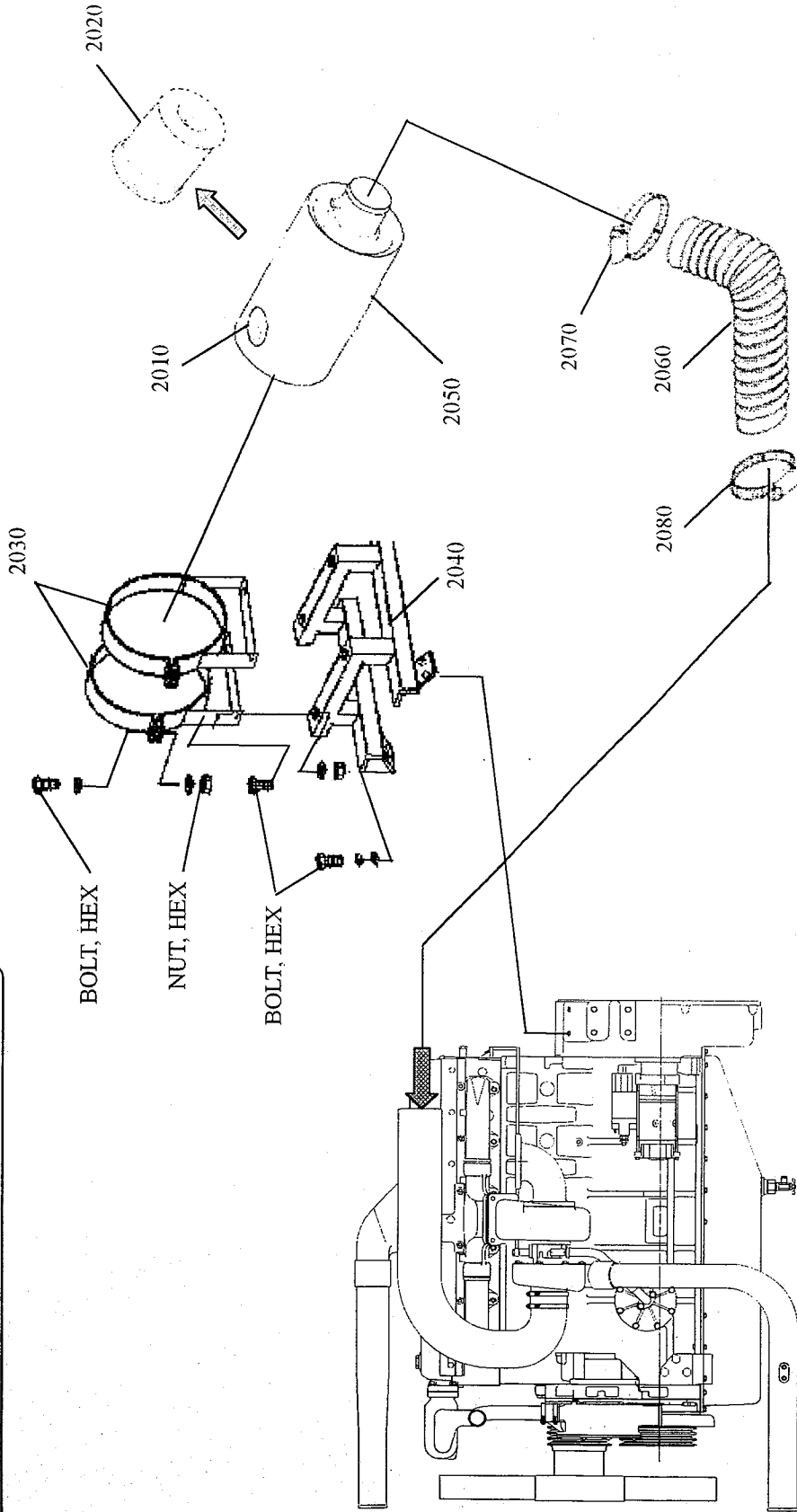


# P126TI G-PAC INSTALL



APPROVED BY KAC-009, KAC-009  
KAC-009, KAC-009

GROUP : AIR CLEANER : 012-



DAEWOO HEAVY INDUSTRIES LTD.

Printed in Dec. 1999 PS-SUG0515-EDC

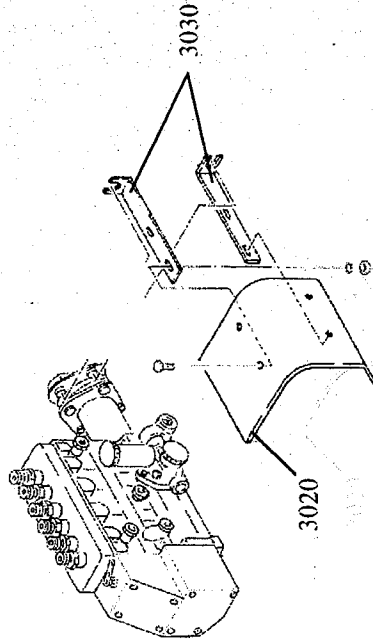
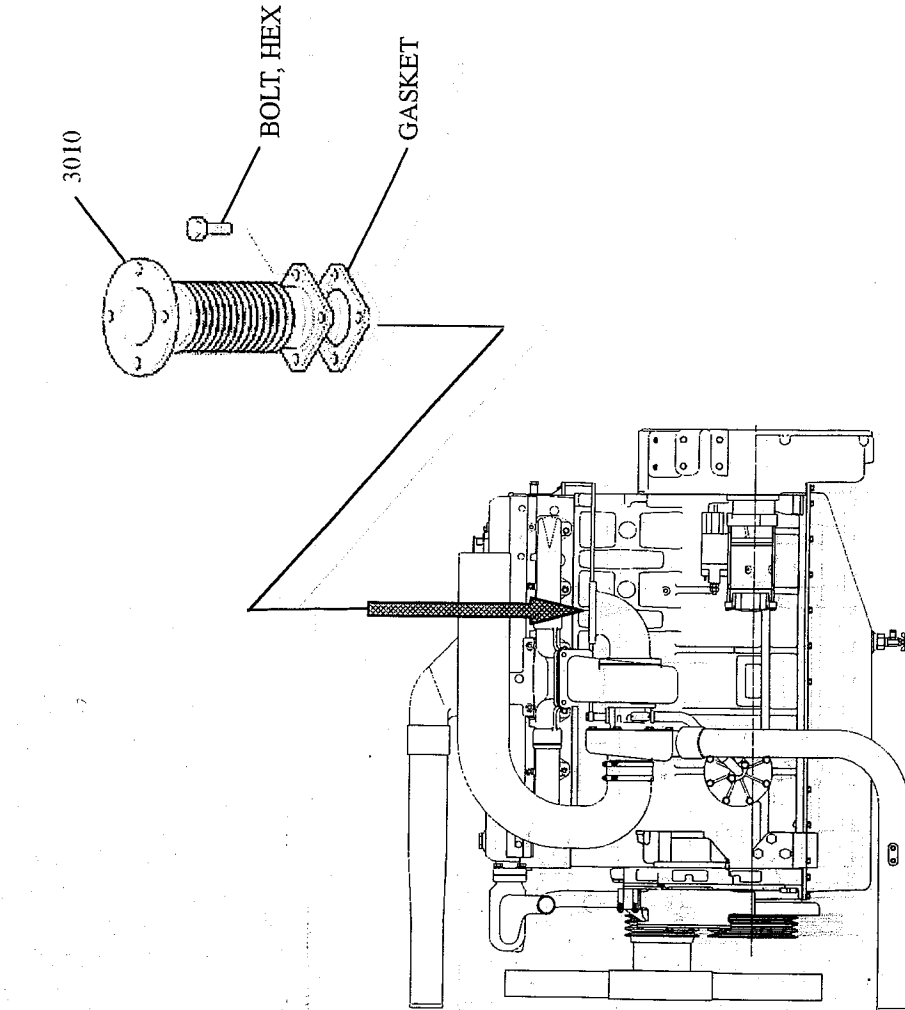


# P126TI G-PAC INSTALL

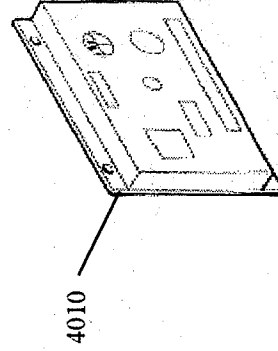


APPROVED BY THE MANUFACTURER FOR INSTALLATION

## GROUP : EXHAUST SYSTEM : 013-



## GROUP : SENSOR & ELECTRICAL : 014-





CHONB

