



G-PAC INSTALL GUIDE

Generator Diesel Engine Set

POLUS

P180LE



P180LE WORK LIST



P180LE GEN. ENGINE WORK LIST (500kW BASE)

GROUP-SERIAL	PART NO	PART NAME	Q`TY	REMARK
RADIATOR & INTER COOLER				
011-1010	68.06101-7122	RADIATOR & INTER COOLER ASSY	1	
1020	06.67020-0115	CLAMP, HOSE (Φ71-Φ114)	6	
1030	04.27415-0415	HOSE, RUBBER (Φ75x130)	2	
1040	68.06301-0027	PIPE, COOLING WATER	1	
1050	06.56190-0706	RING, SEAL A14X20	2	
1060	06.71010-0213	NIPPLE, UNION	2	
1070	68.06301-0052	PIPE, COOLING WATER	1	
1080	06.67020-0106	CLAMP, HOSE NW S20	4	
1090	04.27405-1113	HOSE, RUBBER (Φ28x110)	2	
1100	68.06301-0046	PIPE, COOLING WATER	1	
1110	06.56190-0713	RING, SEAL A18X24	1	
1120	06.08092-2406	SCREW, PLUG M18X1.5	1	
1130	67.06301-5008	PIPE, COOLING WATER	1	
1140	67.06901-0001	GASKET	1	
1150	68.97401-6006	CLAMP ASS`Y	4	
1160	68.06705-0005	BRACKET, CLIP	1	
1170	04.27415-0315	HOSE, RUBBER (Φ70x130)	1	
1180	67.97401-0003	CLIP, PIPE	1	
AIR CLEANER				
012-2010	68.08300-7059	AIR CLEANER ASS`Y	2	
2020	68.08304-6029	ELEMENT, AIR CLEANER	(2)	INCLUDED in AIR CLEANER ASS`Y
2030	68.16250-6017	INDICATOR, SERVICE	2	
2040	68.08342-5017	BAND, AIR CLEANER	4	
2050	68.08340-0001	HOLDER	1	
2060	68.08340-0016	HOLDER	1	
2070	68.08340-0004	BRACKET, AIR CLEANER	1	
2080	68.08340-0002	HOLDER	2	
2090	06.67020-0121	CLAMP, HOSE	2	
2100	06.67020-0117	CLAMP, HOSE (Φ96-Φ140)	2	
2110	68.08310-0017	HOSE, FLEXIBLE (L=620mm)	2	
EXHAUST SYSTEM				
013-3010	68.15211-5049	BELLOWS	2	
3020	67.15902-0003	GASKET	2	
3030	68.08112-5002	ELBOW, EXHAUST	2	
SENSOR & ELECTRICAL				
014-4010	65.27441-7007	SWITCH, OIL PRESSURE(0.7bar)	1	
4020	67.98131-0024	ADAPTER	1	
4030	67.27435-6003	SENDER	1	
4040	67.27435-6004	SENDER	1	
4050	66.27435-6008	SWITCH, THERMO (103°C)	1	
4060	65.11220-7001	CONTROLLER, ACTUATOR	1	
SERVICE PARTS				
015-5010	65.12503-5011B	CARTRIDGE, FUEL FILTER	1	
5020	65.05510-5020	CARTRIDGE, OIL FILTER	2	
5030	65.99898-8049	PARTS BOOK (E/G)	1	
5040	65.99892-8052	MANUAL, E/G OPERATION	1	
5050	65.99897-8051	MANUAL, E/G MAINTENANCE	1	

STANDARD ACCESSORY PARTS LIST for P180LE G-DRIVE ENGINE

INSPECTION DATE
2001.03.05

GROUP	NO	SERIAL NO	PART NO.	PART NAME	Q'TY	REMARKS	
RADIATOR	1	0120	68.06101-7122	RADIATOR(DW500)	1		
	6	0220	06.67020-0113	HOSE CLAMP NW S52	6	φ71 ~ φ114	
	7	0180	04.27415-0415	HOSE, RUBBER, φ87X130	2	φ87	
	8	0130	68.06301-0027	PIPE, C/W	1		
	9	0260	06.56190-0706	SEAL RING A14X20	2		
	10	0170	06.78170-0108	NIPPLE UNION(CM10)	2		
	11	0150	68.96340-0017	HOSE, COOLING WATER	1	M14x1.5	
	12	0230	06.67020-0106	HOSE CLAMP NW S20	4	φ23 ~ φ44	
	13	0190	04.27405-1113	HOSE, RUBBER, φ37X110	2	φ37	
	14	0160	68.06301-0046	PIPE, C/W	1		
	15	0290	06.56190-0713	SEAL RING A18X24	1		
	16	0280	06.08092-2406	SCREW, PLUG M18X1.5	1		
	17	0140	67.06301-5008	PIPE C/W	1		
	20	0270	67.06901-0001	GASKET	1		
	21	0210	68.97401-6006	CLAMP ASS'Y	4		
	22	0240	68.06705-0005	B.K.T, CLIP	1		
	23	0200	04.27415-0315	HOSE, RUBBER, φ82X130	1	φ82	
	24	0250	67.97401-0003	CLIP, PIPE	1		
	AIR CLEANER	1	0320	68.08300-7059A	AIR CLEANER ASS'Y	2	-7059A 호환성
		3	0380	68.16250-6017	INDICATOR, SERVICE	2	67.16250-6002
		4	0330	68.08342-5017	BAND, A/C	4	
		12	0400	68.08340-0001C	HOLDER	1	
		13	0410	68.08340-0016A	HOLDER	1	65.08340-5044
		14	0340	68.08340-0004	BRACKET, A/C	1	
11		0420	68.08340-0002D	HOLDER	2		
16		0360	06.67020-0121	CLAMP, HOSE	2		
17		0370	06.67020-0117	HOSE, CLAMP	2	φ96 ~ φ140	
18		0350	68.08310-0017	HOSE FLEXIBLE(L620mm)	2	φ131, φ138	
EX. SYSTEM	8	0520	68.15211-5049	BELLOWS	2		
	9	0530	67.15902-0003	GASKET	2		
	10	0540	68.08112-5002	ELBOW	2		
SENSOR			65.11220-7001	CONTROLLER, ACTUATOR	1	INSIDE OF ENGINE	
SERVICE PARTS			65.05510-5020A	CATRIDGE ASS'Y, OIL	2	INSIDE OF ENGINE	
			65.12503-5011D	CATRIDGE ASS'Y, FUEL	1	INSIDE OF ENGINE	
			65.99898-8049	PART BOOK(혼용)	1	INSIDE OF ENGINE	
			65.99897-8051	MAINTENANCE MANUAL(영문)	1	INSIDE OF ENGINE	
			65.99892-8052	OPERATION MANUAL(영문)	1	INSIDE OF ENGINE	

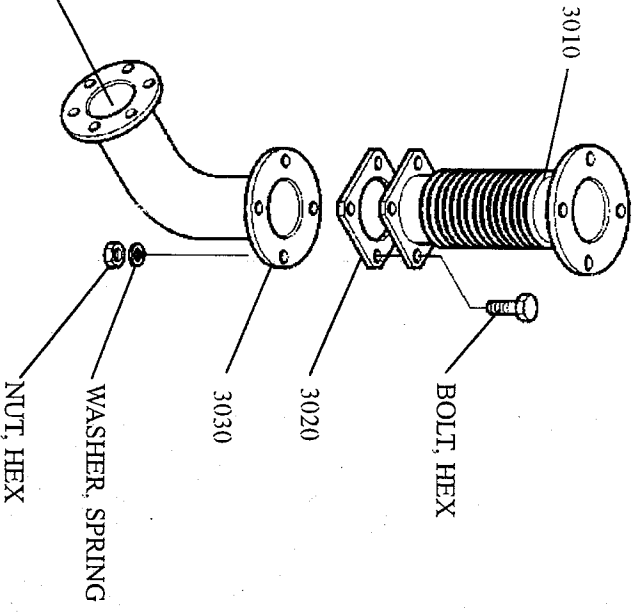
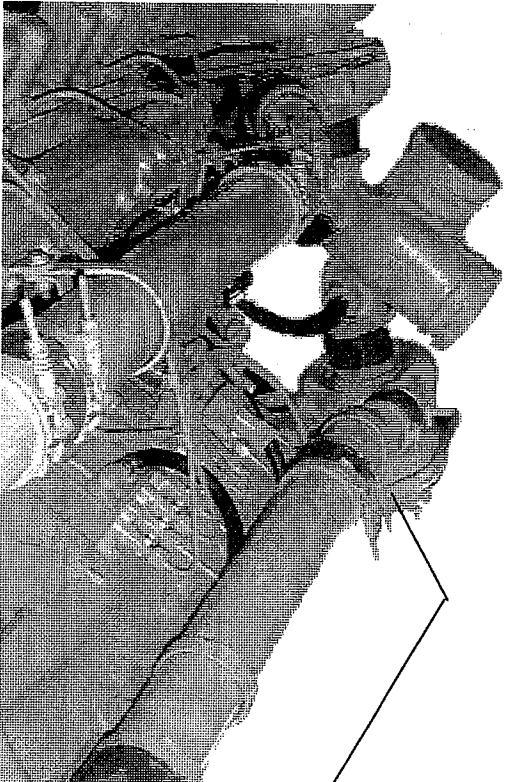
Faint, illegible text covering the page, possibly bleed-through from the reverse side. The text is too light to transcribe accurately.



P180LF G-PAC INSTALL



GROUP : EXHAUST SYSTEM : 013-



DAEWOO HEAVY INDUSTRIES LTD.

Printed in Dec. 1999 PS-SUG0745-EDC

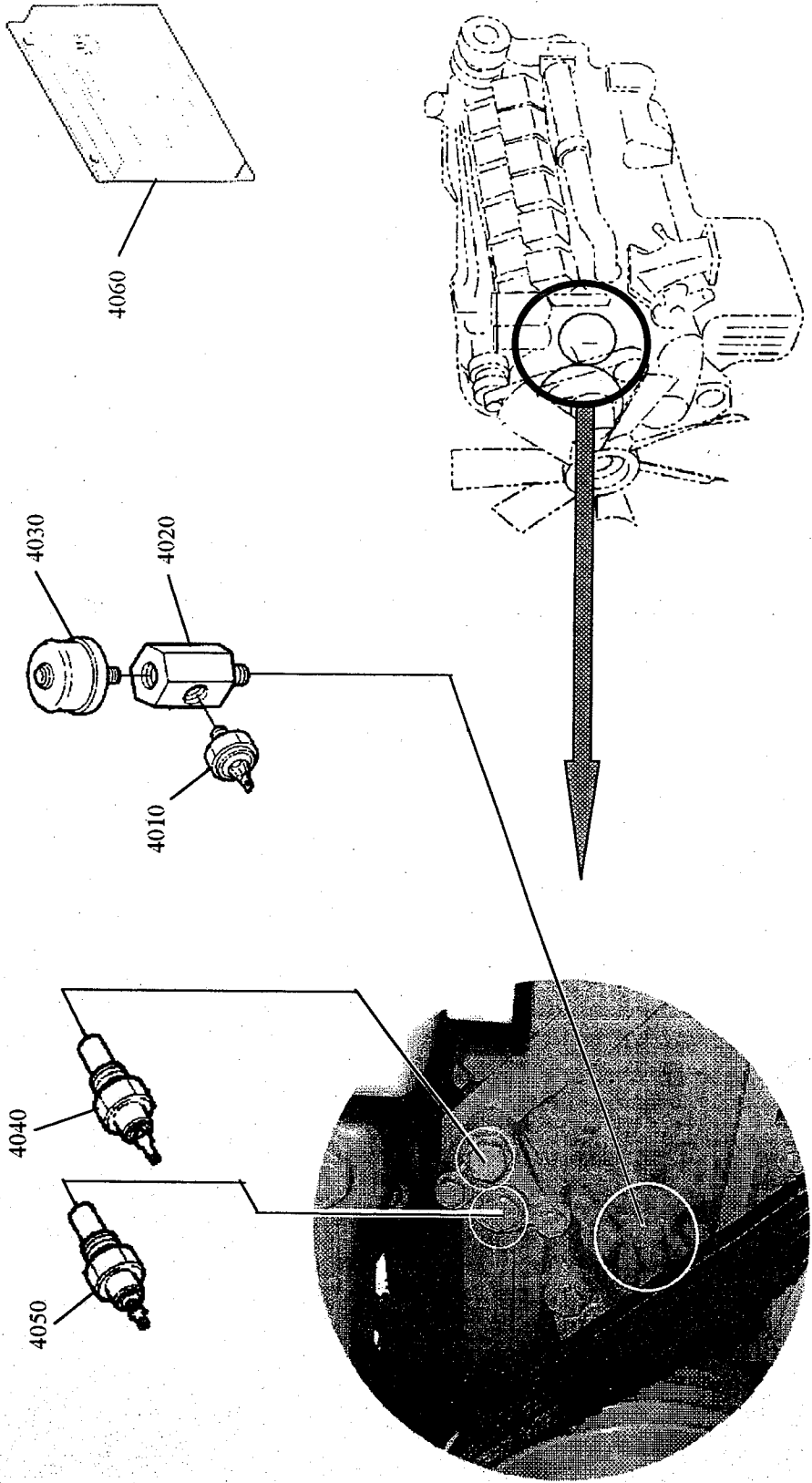


P180LE G-PAC INSTALL



APPROVED BY VULCAN ENGINEERING LTD. (MOTORING)

GROUP : SENSOR & ELECTRIC : 014-



DAEWOO HEAVY INDUSTRIES LTD.

Printed in Dec. 1999 PS-SUIG0745-EDC



3

00

00

p

p

p



8

8

8