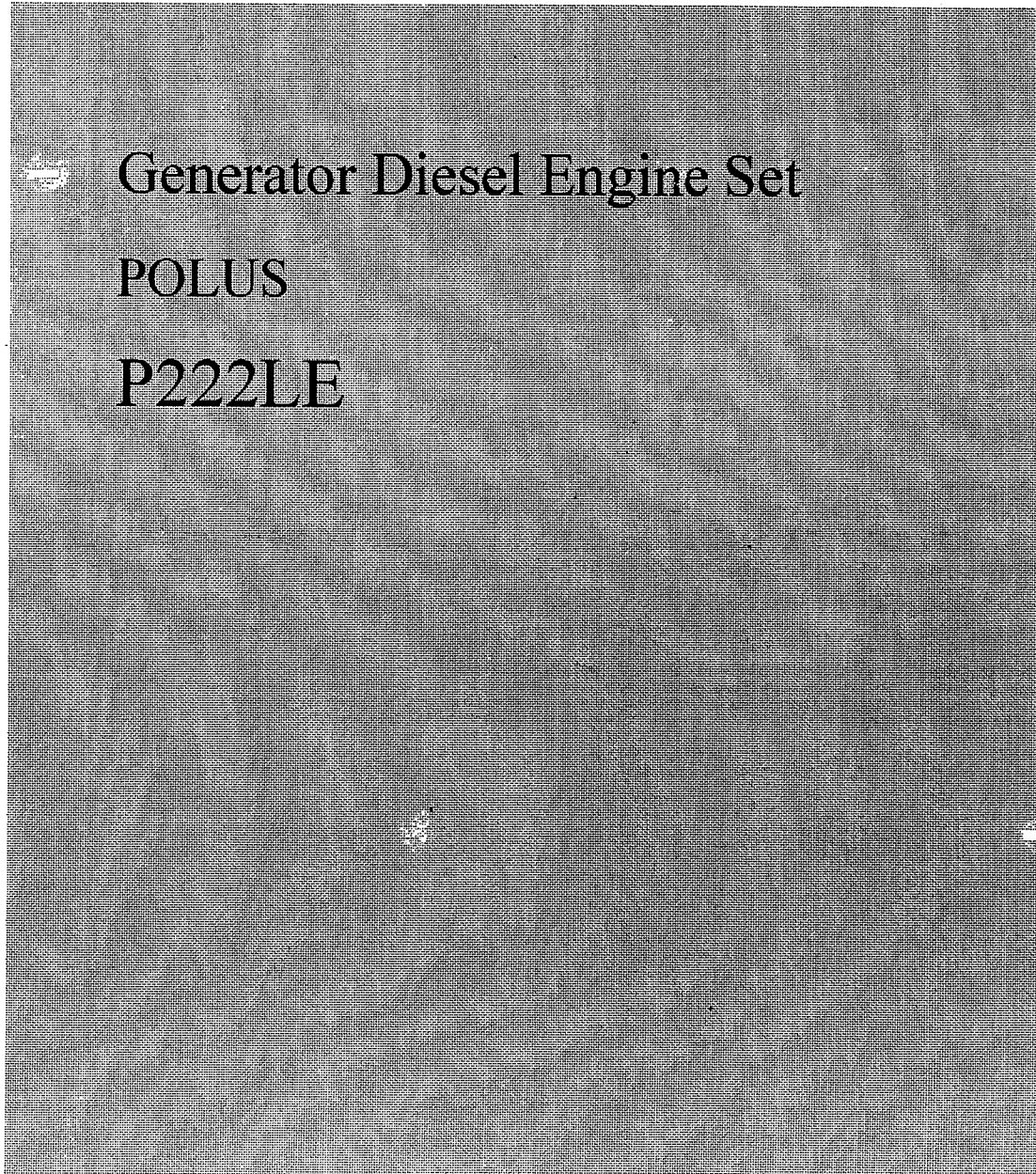




G-PAC INSTALL GUIDE



PS-SUG0765-EDC

P222LE GEN. ENGINE WORK LIST (600kW BASE)

GROUP-SERIAL	PART NO	PART NAME	Q'TY	REMARK
RADIATOR & INTER COOLER				
011-1010	68.06101-7123	RADIATOR & INTER COOLER ASS'Y	1	
1020	68.97401-6006	CLAMP ASS'Y	4	
1030	04.27415-0415	HOSE, RUBBER	2	
1040	06.67020-0115	CLAMP, HOSE (Φ75x130)	6	
1050	67.06301-5008	PIPE, COOLING WATER	1	
1060	04.27415-0315	HOSE, RUBBER (Φ70x130)	2	
1070	06.08092-2406	SCREW, PLUG M18X1.5	(1)	INCLUDE in ENGINE ASS'Y
1080	06.56190-0713	RING, SEAL A18X24	(1)	INCLUDE in ENGINE ASS'Y
1090	67.06901-0001	GASKET	1	
1100	68.06301-0052	PIPE, COOLING WATER	1	
1110	06.71010-0213	NIPPLE, UNION	2	
1120	06.56190-0706	RING, SEAL A14X20	2	
1130	04.27405-1113	HOSE, RUBBER (Φ28x110)	2	
1140	06.67020-0102	CLAMP, HOSE NWS08	4	
1150	68.06301-0046	PIPE, COOLING WATER	1	
1160	68.06705-0005	BRACKET, CLIP	1	
1170	67.97401-0003	CLIP, PIPE	1	
1180	68.06301-0027	PIPE, COOLING WATER	1	
AIR CLEANER				
012-2010	68.08300-7059	AIR CLEANER ASS'Y	2	
2020	68.08304-6029	ELEMENT, AIR CLEANER	(2)	INCLUDED in AIR CLEANER ASS'Y
2030	68.08342-5017	BAND, AIR CLEANER	4	
2040	68.08340-0004	BRACKET	1	
2050	68.16250-6017	INDICATOR, SERVICE	2	
2060	68.08310-0017	HOSE, FLEXIBLE (L=620mm)	2	
2070	06.67020-0121	CLAMP, HOSE	2	
2080	06.67020-0117	CLAMP, HOSE (Φ96-Φ140)	2	
2090	68.08340-0002	HOLDER	1	
2100	68.08340-0001	HOLDER	1	
2110	68.08340-0016	HOLDER	1	
2120	68.08340-0006	HOLDER	1	
EXHAUST SYSTEM				
013-3010	68.15211-5049	BELLOWS	2	
3020	67.15902-0003	GASKET	2	
3030	68.08112-5002	ELBOW, EXHAUST	2	
SENSOR & ELECTRICAL				
014-4010	67.27435-6003	SENDER	1	
4020	67.98131-0024	ADAPTER	1	
4030	68.98131-0112	NIPPLE, OIL TEMP. SENSOR	1	
4040	68.27435-6007	SENSOR, OIL TEMP	1	
4050	65.27441-7007	SWITCH, OIL PRESSURE(0.7bar)	1	
4070	66.27435-6008	SWITCH, THERMO(103°C)	1	
4080	67.27435-6004	SENDER	1	
4090	65.11220-7001	CONTROLLER, ACTUATOR	1	
SERVICE PARTS				
015-5010	65.12503-5011B	CARTRIDGE, FUEL FILTER	1	
5020	65.05510-5020	CARTRIDGE, OIL FILTER	2	
5030	65.99898-8049	PARTS BOOK(E/G)	1	
5040	65.99892-8052	MANUAL, E/G OPERATION	1	
5050	65.99897-8051	MANUAL, E/G MAINTENANCE	1	

STANDARD ACCESSORY PARTS LIST for P222LE G-DRIVE ENGINE

INSPECTION DATE
2001.03.05

GROUP	NO	SERIAL NO	PART NO.	PART NAME	QTY	REMARKS
RADIATOR	1	0120	68.06101-7129A	RADIATOR ASS'Y(DW600)	1	
	21	0130	68.97401-6006	CLAMP ASS'Y	4	
	7	0140	04.27415-0415	HOSE, RUBBER, ϕ 87X130	2	ϕ 87
	6	0150	06.67020-0113	HOSE CLAMP NW S52	6	ϕ 71 ~ ϕ 114
	17	0160	67.06301-5008	PIPE COOLING WATER	1	
	25	0170	04.27415-0315	HOSE, RUBBER, ϕ 82X130	2	ϕ 82
	16	0190	06.08092-2406	SCREW, PLUG M18X1.5	1	INSIDE OF ENGINE
	15	0200	06.56190-0713	SEAL RING A18X24	1	
	20	0210	67.06901-0001	GASKET	1	
	11	0220	68.96340-0017	HOSE, COOLING WATER	1	
	10	0230	06.78170-0108	NIPPLE UNION (CM10)	2	
	9	0240	06.56190-0706	SEAL RING A14X20	2	
	13	0250	04.27405-1113	HOSE, RUBBER, ϕ 37X110	2	ϕ 37
	12	0260	06.67020-0106	HOSE CLAMP NW S20	4	ϕ 23 ~ ϕ 44
	14	0270	68.06301-0046	PIPE COOLING WATER	1	
	23	0280	68.06705-0005	B.K.T, CLIP	1	
24	0290	67.97401-0003	CLIP, PIPE	1		
8	0320	68.06301-0027	PIPE C/W	1		
AIR CLEANER	1	0420	68.08300-7059A	AIR CLEANER ASS'Y	2	-7059A 호환성
	4	0430	68.08342-5017	BAND AIR CLEANER	4	
	14	0440	68.08340-0004	BRACKET	1	
	3	0450	68.16250-6017	INDICATOR, SERVICE	2	67-16250-6002
	18	0460	68.08310-0017	HOSE FLEXIBLE(L620mm)	2	ϕ 131, ϕ 138
	16	0470	06.67020-0121	CLAMP, HOSE(O121-O1)	2	
	17	0480	06.67020-0117	HOSE CLAMP	2	ϕ 96 ~ ϕ 140
	11	0490	68.08340-0002D	HOLDER	1	
	12	0500	68.08340-0001C	HOLDER	1	
	13	0510	68.08340-0016A	HOLDER	1	68.08340-5044
	15	0520	68.08340-0006D	HOLDER	1	
EX. SYSTEM	8	0620	68.15211-5049	BELLOWS	2	
	9	0630	67.15902-0003	GASKET	2	
	10	0640	68.08112-5002	ELBOW EXH	2	
SENSOR			65.11220-7001	CONTROLLER, ACTUATOR	1	INSIDE OF ENGINE
SERVICE PARTS			65.05510-5020A	CATRIDGE ASS'Y, OIL	2	INSIDE OF ENGINE
			65.12503-5011D	CATRIDGE ASS'Y, FUEL	1	INSIDE OF ENGINE
			65.99898-8049	PART BOOK(혼용)	1	INSIDE OF ENGINE
			65.99897-8051	MAINTENANCE MANUAL(영문)	1	INSIDE OF ENGINE
			65.99892-8052	OPERATION MANUAL(영문)	1	INSIDE OF ENGINE

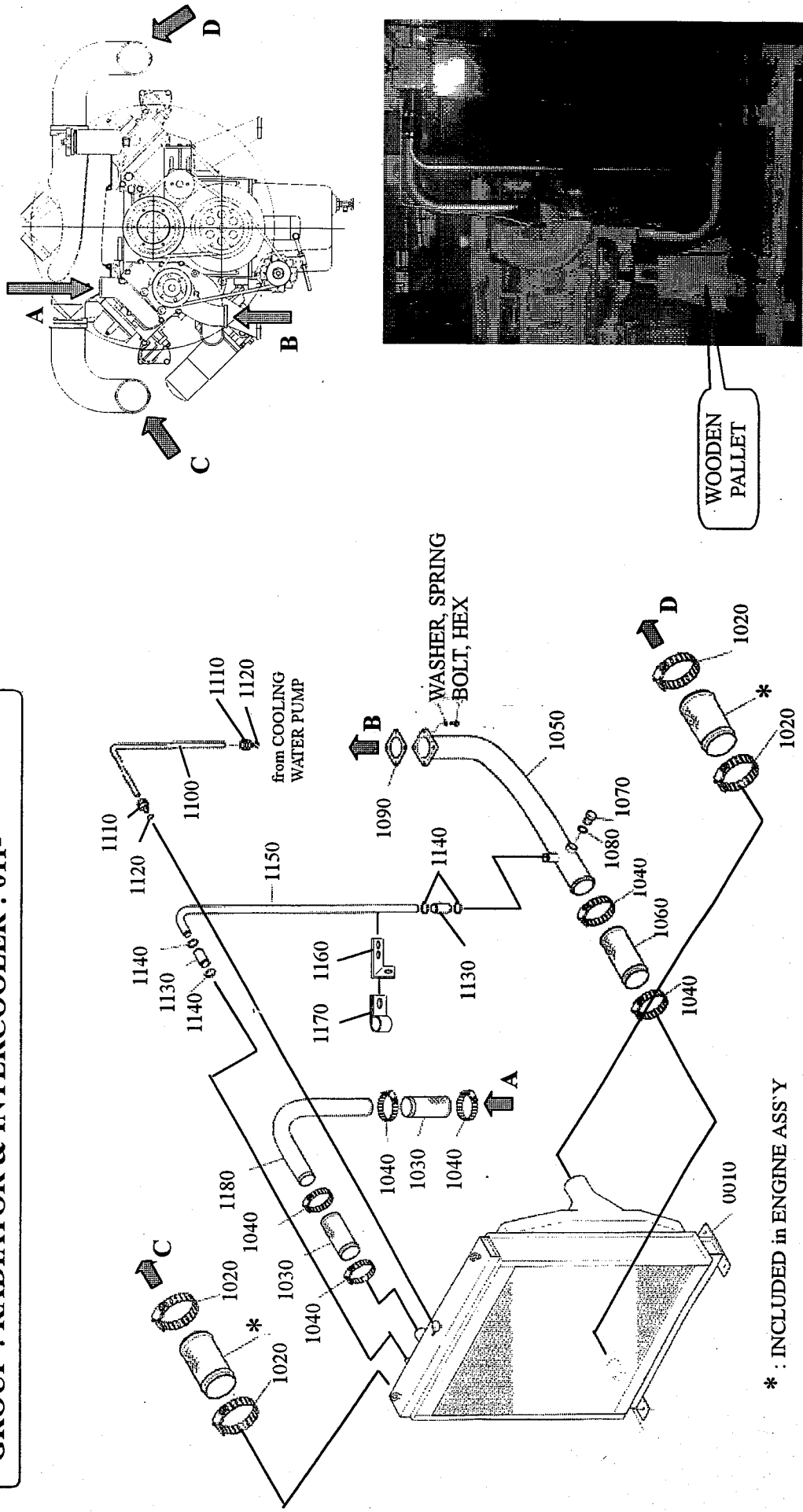
Date	Description	Amount
1912
1913
1914
1915
1916
1917
1918
1919
1920
1921
1922
1923
1924
1925
1926
1927
1928
1929
1930
1931
1932
1933
1934
1935
1936
1937
1938
1939
1940
1941
1942
1943
1944
1945
1946
1947
1948
1949
1950
1951
1952
1953
1954
1955
1956
1957
1958
1959
1960
1961
1962
1963
1964
1965
1966
1967
1968
1969
1970
1971
1972
1973
1974
1975
1976
1977
1978
1979
1980
1981
1982
1983
1984
1985
1986
1987
1988
1989
1990
1991
1992
1993
1994
1995
1996
1997
1998
1999
2000
2001
2002
2003
2004
2005
2006
2007
2008
2009
2010
2011
2012
2013
2014
2015
2016
2017
2018
2019
2020
2021
2022
2023
2024
2025
2026
2027
2028
2029
2030
2031
2032
2033
2034
2035
2036
2037
2038
2039
2040
2041
2042
2043
2044
2045
2046
2047
2048
2049
2050

P222LE G-PAC INSTALL



MAC-008
APPROVED BY PATENT REGISTERED BY KR

GROUP : RADIATOR & INTERCOOLER : 011-

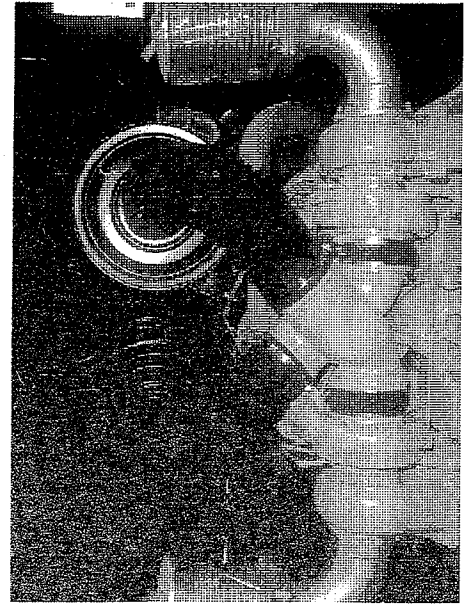
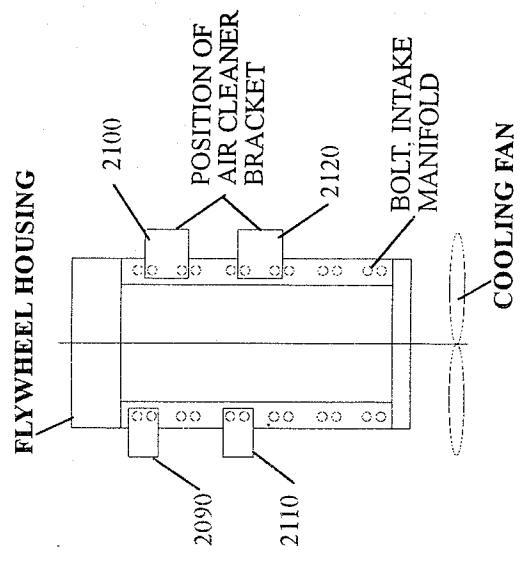
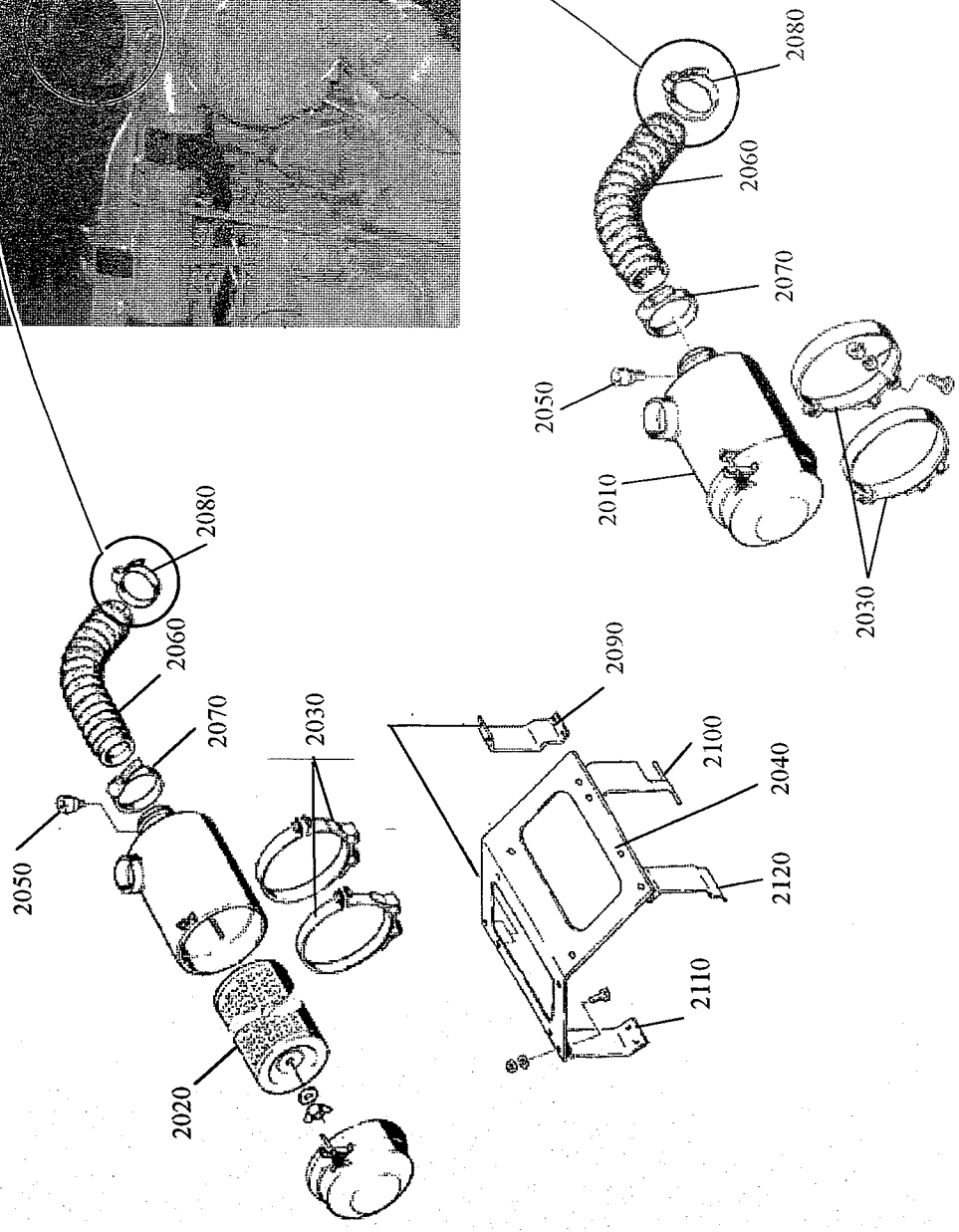
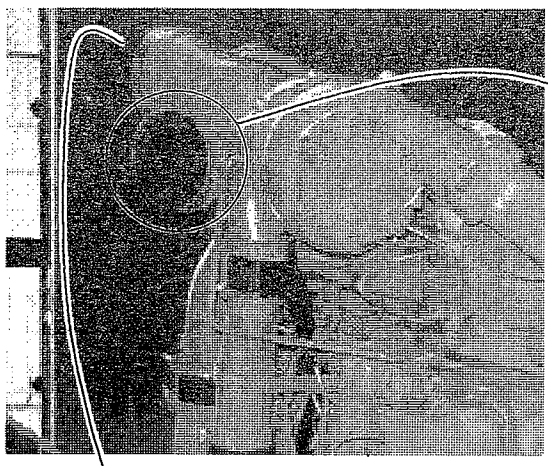


* : INCLUDED in ENGINE ASS'Y

P222LE G-PAC INSTALL



GROUP : AIR CLEANER : 012-



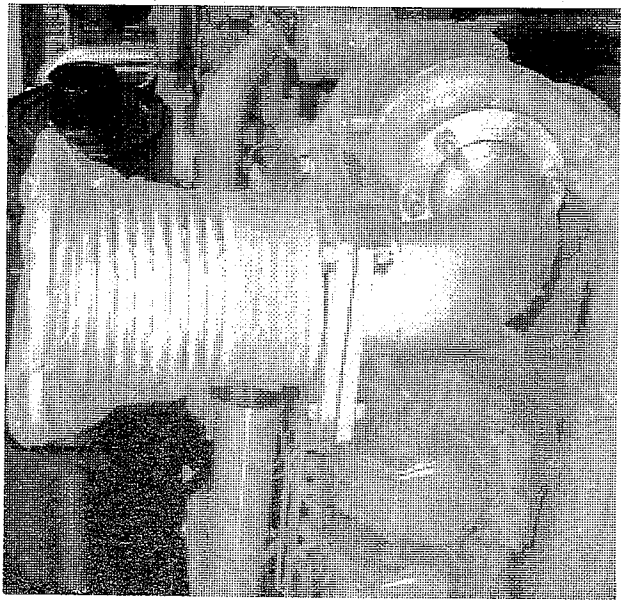
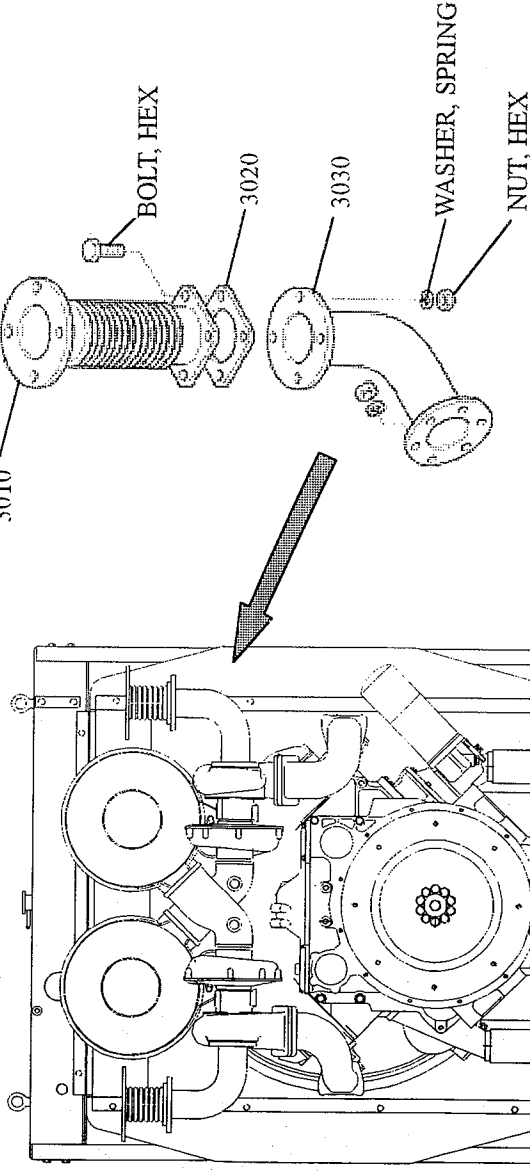
INSTALLED AIR CLEANER

P222LE G-PAC INSTALL



APPROVED BY VULCAN, REGISTRANT OF PATENTING

GROUP : EXHAUST SYSTEM : 013-



INSTALLED BELLOWS

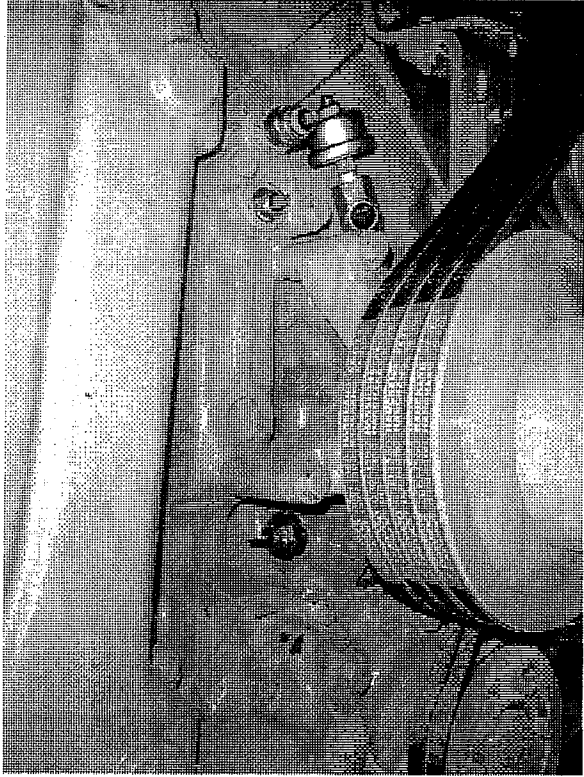
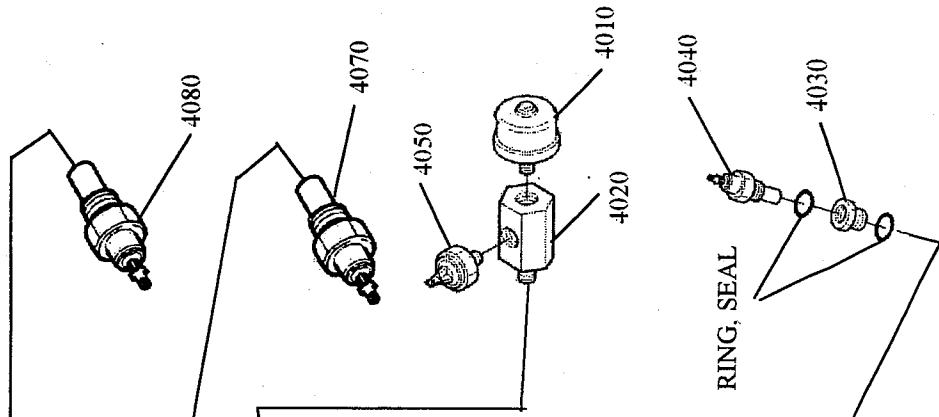


P222LE G-PAC INSTALL

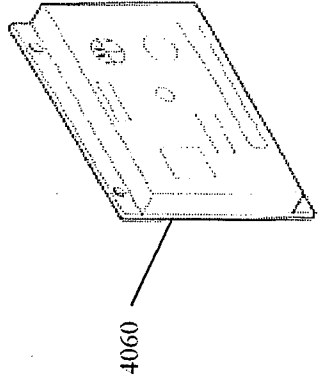


APPROVED BY AGRICULTURAL RESEARCH SERVICE, SPRINGFIELD, ILL.

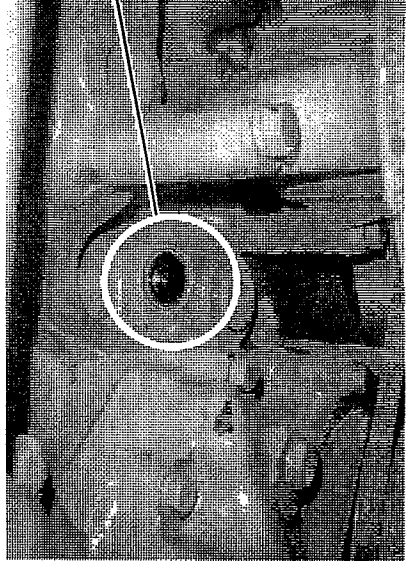
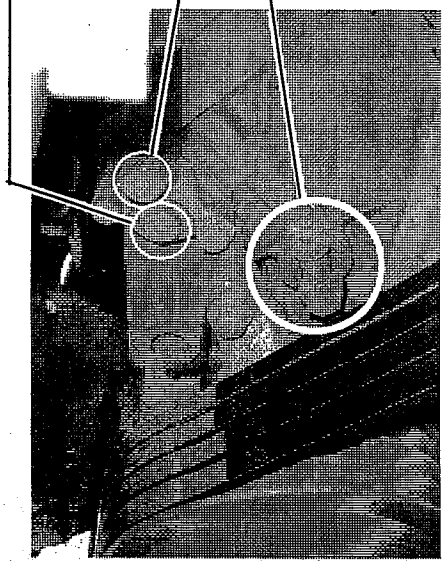
GROUP : SENSOR & ELECTRICAL : 014



INSTALLED SENSOR



4060



DAEWOO HEAVY INDUSTRIES LTD.

Printed in Dec. 1999 . PS-SUG0745-EDC



