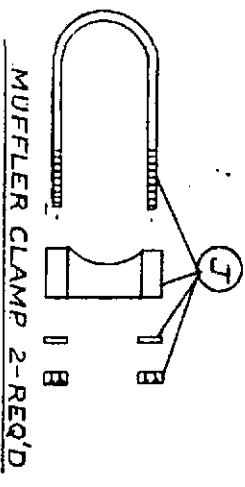
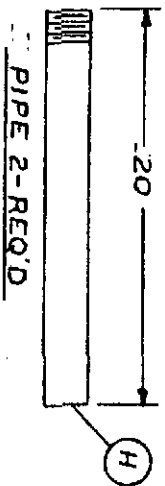
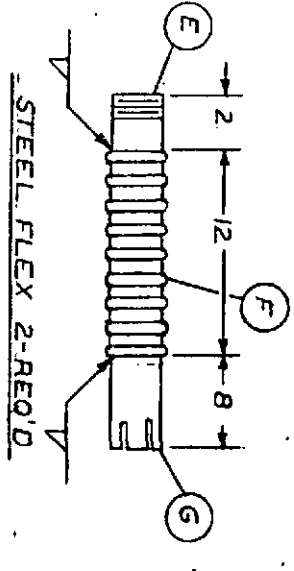
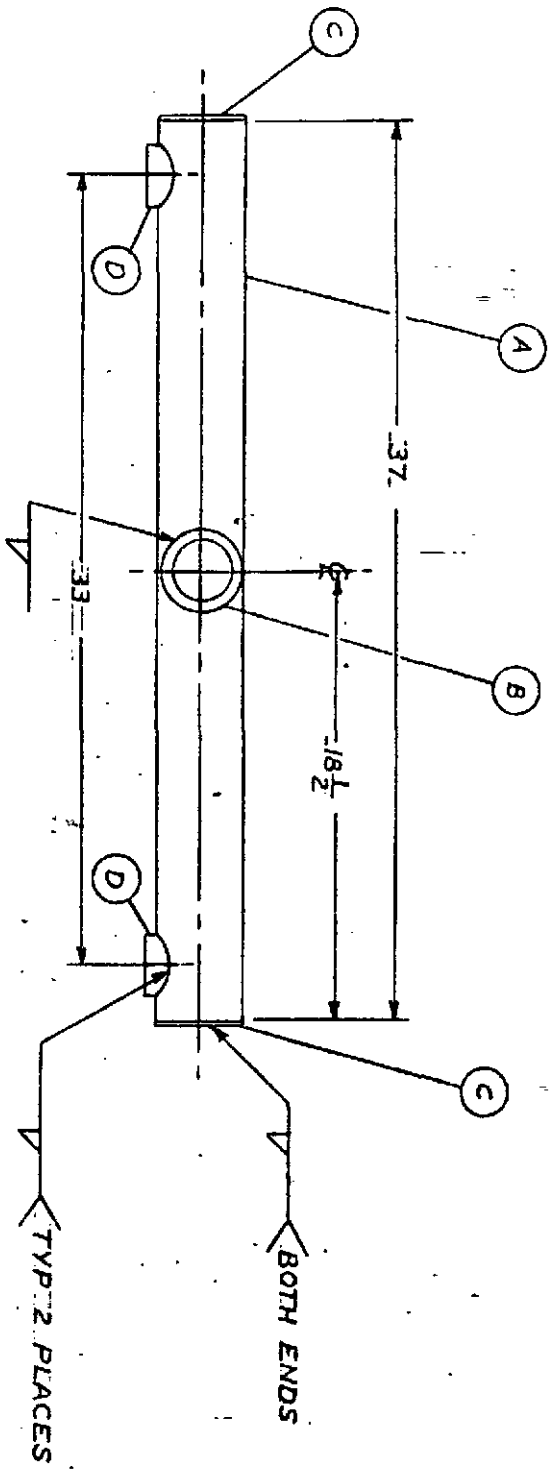


KL #	ITEM	DESCRIPTION
47546	A	PIPE - 3/4 X 37
47454	B	COUPLING 3/4 (CUT IN HA)
47359	C	END PLATE 5.5/8 DIA. X
47545	D	PIPE - 2 1/2 X 26

KATOLIGHT CORPORATION

MANCATO, MINNESOTA

SCALE	DATE	ASSEMBLY OR PART NO.	MODEL
NONE	7-31-80	105-458	HEADER ASSY.
DESCRIPTION	INT'L	UC-549	R#
			RVA
		44448	



ITEM	DESCRIPTION	KL NO.
A	PIPE 3 1/2 x 37	47546
B	COUPLING 3 1/2 (CUT IN HALF)	47454
C	END PLATE 3 7/8 DIA. x 3/16	47359
D	COUPLING 2 1/2 (CUT IN HALF)	47452
E	PIPE NIPPLE 2 1/2 x 2	47538
F	STL FLEX 2 1/2 x 12	42656
G	TUBING 3" O.D. x 8	47206
H	PIPE 2 1/2 x 20	47545
J	MUFFLER CLAMP 3"	44357

KATOLIGHT CORPORATION

MINNETONKA, MINNESOTA

SCALE	DATE	ASSEMBLY OR PART NO.	MODEL
NONE	9-8-80	105-459	HEADER ASSY
DESCRIPTION INT'L UC549 (HOUSED)			RVA
44363			RVA