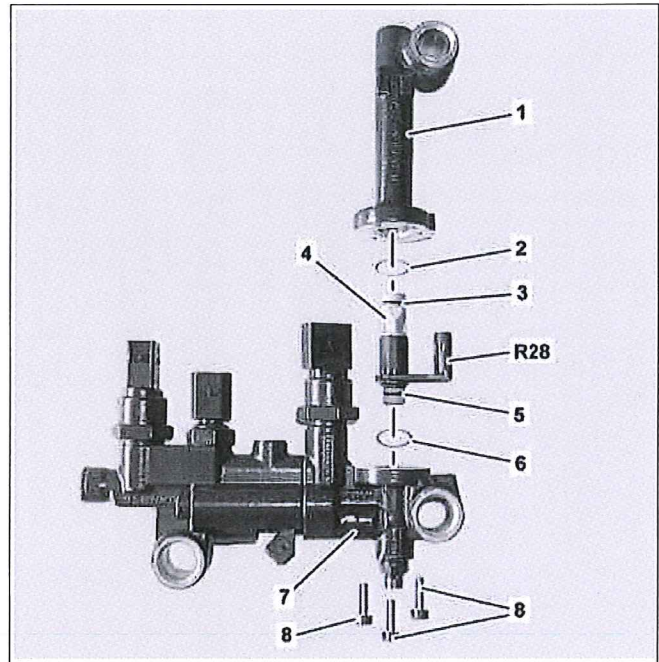


AR14.40-G-2043DD	Replace diffuser on exhaust aftertreatment system metering device	20.6.11
------------------	---	---------

ENGINES 900.92, 902.93, 924.93, 926.95 /97, 457.94 /95 /96, 458.99, 541.95, 542.96, 941.99, 942.99 in MODEL 000.001 with BlueTec®

- 1 Compressed air pipe
- 2 O-ring (green)
- 3 Seal ring (permanently attached to diffuser)
- 4 Diffuser
- 5 Seal ring (permanently attached to diffuser)
- 6 O-ring (green)
- 7 Dosing device housing
- 8 Bolts

R28 Heating element



W14.40-1397-12

	Replace		
1	Remove metering device	Engines 900.9, 902.9, 924.9, 926.9 Engine 457.9, 458.9, 541.9, 542.9, 941.9, 942.9	AR14.40-G-2002DD AR14.40-G-2002CH
2	Remove/install diffuser (4)	<p>⚠ The metering device must be free of any contamination after removal in the assembly area of the diffuser (4). Damage can occur to the metering device otherwise.</p> <p>ℹ AdBlue residues are to be removed using a lint-free cloth. The component must be swilled with clear water for large amounts and dried using compressed air.</p> <p>Nm</p>	AR14.40-G-2043-01DD  *BA14.40-N-1044-02H *BR00.45-Z-1019-06A
3	Install metering device	Engines 900.9, 902.9, 924.9, 926.9 Engine 457.9, 458.9, 541.9, 542.9, 941.9, 942.9	AR14.40-G-2002DD AR14.40-G-2002CH

**Nm Exhaust aftertreatment, Blue Tec**

Number	Designation	Engine
BA14.40-N-1044-02H	Compressed air pipe to housing	900.92, 902.93, 924.93, 926.9 with BlueTec®
		Nm 6

**Nm Exhaust aftertreatment, Blue Tec**

Number	Designation	Engine 457.94/95/96, 458.99 with BlueTec®
BA14.40-N-1044-02H	Compressed air pipe to housing	Nm 6

**Nm** Exhaust aftertreatment, Blue Tec

Number	Designation	Engine 541.95, 941.99 with BlueTec®
BA14.40-N-1044-02H	Compressed air pipe to housing	Nm 6

**Nm** Exhaust aftertreatment, Blue Tec

Number	Designation	Engine 542.96, 942.99 with BlueTec®
BA14.40-N-1044-02H	Compressed air pipe to housing	Nm 6

**Repair materials**

Number	Designation	Order number
BR00.45-Z-1019-06A	ABS sensor grease	A 000 989 62 51 10