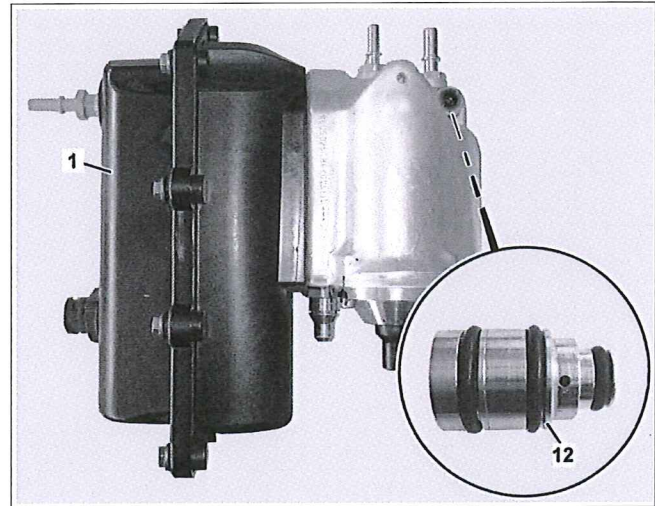


AR14.40-W-2048A	Remove, install internal pneumatic pressure relief valve on pump module	22.3.11
ENGINES	900.9, 902.9, 924.9, 925.9, 926.9 with CODE (MS4) BlueTec 4 Pump module with part number A 000 140 05 78	
ENGINES	900.9, 902.9, 924.9, 925.9, 926.9 with CODE (MS5) BlueTec 5 Pump module with part number A 000 140 05 78	
ENGINES	457.9, 541.9, 542.9, 902.9, 926.9 with CODE (MS4) BlueTec 4 Pump module with part number A 000 140 05 78	
ENGINES	457.9, 541.9, 542.9, 902.9, 926.9 with CODE (MS5) BlueTec 5 Pump module with part number A 000 140 05 78	

- 1 Pump module  
12 Internal pneumatic pressure relief valve



W14.40-1495-11

**Modification notes**

22.4.10	Value changed: screw-in bushing for internal pressure relief valve on pump module		*BA14.40-N-1055-02A
	Value changed: screw-in bushing for internal pressure relief valve on pump module		*BA14.40-N-1054-02B
	Value changed: screw-in bushing for internal pressure relief valve on pump module		*BA14.40-N-1054-02C

SI	Service Information: repair solution for pressure reducing valve in pump module of exhaust aftertreatment system		SI14.40-W-0011A
	<b>Remove/install</b>		
<b>Danger!</b>	<b>Risk of burn injuries and scalding</b> when working at AdBlue lines and the components attached to them. <b>Risk of injury</b> to skin and eyes when handling AdBlue. <b>Risk of poisoning</b> caused by swallowing AdBlue	Only pour AdBlue into suitable containers. Wait until the pressure is released before starting any work on the exhaust aftertreatment system.	AS14.40-Z-0001-01A
i	Notes on use, material properties and handling of AdBlue®		AH14.40-N-0001-01A
1	Remove internal pneumatic pressure relief valve (12) for pump module (1)	Engine 457.9 Engine 541.9, 542.9 Engines 900.9, 902.9, 924.9, 925.9, 926.9	AR14.40-W-2048-01A *BA00.18-N-1003-01A *BA14.40-N-1054-02B *BA14.40-N-1055-02A *BA14.40-N-1054-02C *BR00.45-Z-1019-06A WF58.50-W-1440-05A WF58.50-W-1440-06A WF58.50-W-1440-07A BT14.40-W-0001-01A
WF	Sealing piece for AdBlue feed line		
WF	Sealing piece for AdBlue return line		
WF	Sealing piece for AdBlue feed fitting on pump module		
BT	Pump module altered		
2	Install in the reverse order		

**Nm** Compressed air lines

Number	Designation	Model 375.1	Model 375.3, 375.4	Models 930, 932, 933, 934, 950, 952, 953, 954, 957, 958
BA00.18-N-1003-01A	Compressed air connection system SCHÄFER "SDF" in metallic material	M10×1 Nm	5	5

**Nm** Compressed air lines

Number	Designation	Model 970, 972, 974, 975, 976	Model 940, 942, 943, 944
BA00.18-N-1003-01A	Compressed air connection system SCHÄFER "SDF" in metallic material	M10×1 Nm	5

**Nm** Exhaust aftertreatment

Number	Designation	Engine 457.9 with code MS4 or code MS5
BA14.40-N-1054-02B	Screw-in bushing for the internal pressure relief valve on the pump module	Nm 10

**Nm** Exhaust aftertreatment

Number	Designation	Engine 541.9 with code MS4 or code MS5	Engine 542.9 with code MS4 or code MS5
BA14.40-N-1055-02A	Screw-in bushing for the internal pressure relief valve on the pump module	Nm 10	10

**Nm** Exhaust aftertreatment

Number	Designation	Engine 900.9, 902.9, 924.9, 925.9, 926.9 with code MS4 or code MS5
BA14.40-N-1054-02C	Screw-in bushing for the internal pressure relief valve on the pump module	Nm 10

**Repair materials**

Number	Designation	Order number
BR00.45-Z-1019-06A	ABS sensor grease	A 000 989 62 51 10