

Allis Chalmers
11008

**DIESEL
GENERATOR DRIVE UNITS**

Specifications Subject to Change Without Notice.

ENGINE

11000 Engine - 6 Cylinder - 516 Cu. In. Displacement - 4-7/16" x 5-9/16"
Bore and Stroke

- | | |
|--|---|
| Flywheel and Ring Gear
SAE #1 Flywheel Housing
Intake Manifold
* Exhaust Manifold (Dry or Water Cooled)
* Exhaust Diffuser
Turbocharger
Water Pump - Centrifugal - Belt Driven
By-Pass Thermostat
Counterbalanced Crankshaft
Crankshaft Pulley - 2 Groove 9-1/16" O.D.
13/16" Top Width
Torsional Vibration Damper
Hand Primer | Fuel Injection Pump - W/Integral Transfer
Pump and 24 Volt D. C. Fuel solenoid
(Energized to Run)
Governor - Mechanical - 3-5% Regulation
Fuel Filters - Primary and Final
Lube Oil Pump
Lube Oil Filter - Single Full Flow
Heat Exchanger - Lube Oil
Engine Support
Breather Trailing Tube
Fan Hub
Water Inlet & Outlet Connections
Water Filter & Corrosion Inhibitor |
|--|---|
- * Sleeve connection for 5" O.D. tubing on Dry Exhaust Manifold
5" N. P. T. F. Outlet on Water Cooled Exhaust Manifold

	Early Type	Late Type
11000 Basic Engine - Equipped as above...With Dry Exhaust Manifold	4354816	4359798
With Water Cooled Exhaust Manifold	4354817	

Optional Groups for Basic Engine with Dry or Water Cooled Exhaust Manifold are subject to Price Book Control.

NOTE: Late type engine 4359798 is equipped with the TO4 turbocharger.

**INDEX - (BASIC ENGINES)
11000 Diesel Electric Drive Engines**

DESCRIPTION	PAGE NO.
Crankshaft	18
Cylinder Block	12
Cylinder Head	40
Exhaust Manifold	68, 69, 70, 71
Fan Hub	161
Flywheel Housing	31
Flywheel & Ring Gear	31
Fuel Filter	106
Fuel Injection Pump - Roosa	101
Fuel Injection Nozzle Holder	124
Fuel Injection Nozzle & Lines - Roosa	121
Fuel Injection Return Lines - Roosa	114
Hand Primer Pump	130
Intake Manifold	67

INDEX - (BASIC ENGINE) (CONTINUED)
11000 Diesel Electric Drive Engines

DESCRIPTION	PAGE NO.
Oil Cooler	142
Oil Filler & Valve Lifter Cover	16
Oil Filter	58, 60
Oil Pan & Oil Level Gauge	47
Oil Pump	49
Pistons & Connecting Rod	21
Thermostat	134 thru 141
Timing Gear Housing - Roosa Type	36
Turbocharger	76
Turbocharger Diffuser	87
Valve Operating Mechanism	44
Water Filter (Corrosion Inhibitor)	173
Water Inlet Manifold	142, 143
Water Outlet Manifold	136, 137
Water Pump	131

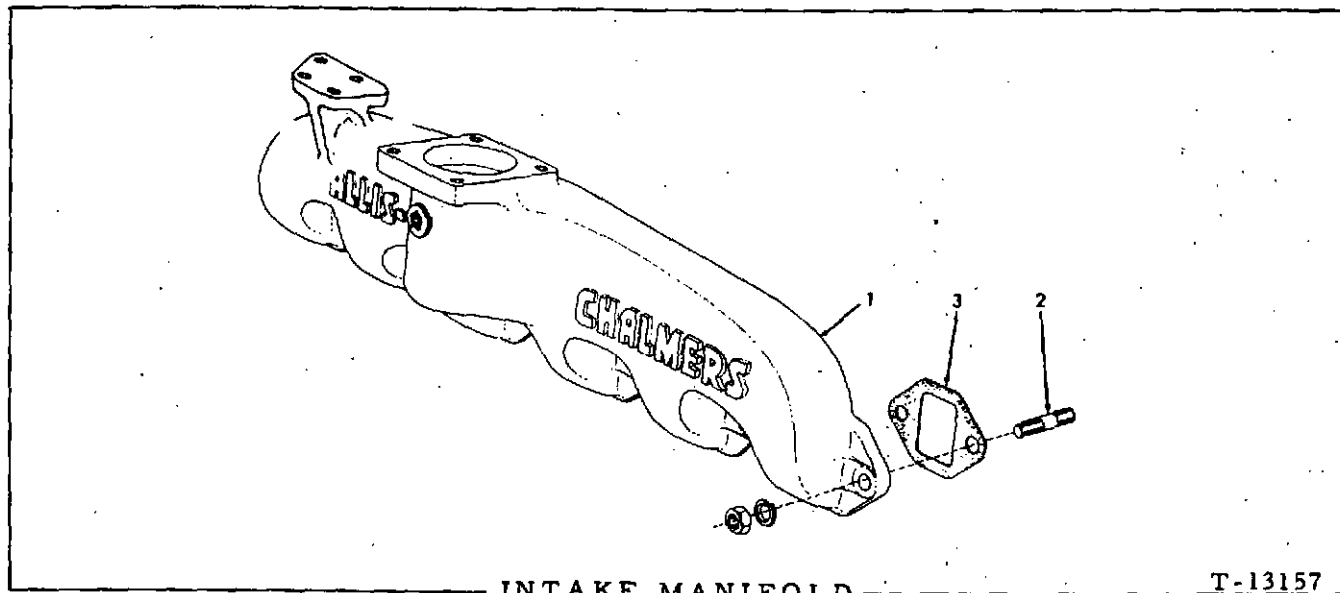
INDEX
(Page Sequence)

Cylinder Block	12, 15
Valve Lifter Cover	16, 17
Crankshaft, Pulley & Bearings	18, 20
Pistons & Connecting Rod	21, 22
Flywheel (4338581)	31, 32
Flywheel Housing (4354617)	31, 32
Timing Gear Housing & Cover	36, 38
Cylinder Head	40, 43
Valve Operating Mechanism	44, 46
Oil Pan & Level Gauge (4336406)	47
Oil Pump	49, 52
Lube Oil Filter (Single Can)	58, 60
* Intake Manifold (Dry Exhaust)	67
* Exhaust Manifold (Water Cooled Exhaust) (Dry Exhaust)	68, 70, 71
* Turbocharger (4354698) TE06	76, 78, 84
* Diffuser	87, 88
Fuel Injection Pump (ETR/ESO) (4354799)	101
Fuel Filter & Lines	106
Fuel Return Lines (Roosa)	114, 115
Fuel Injection Nozzles & Lines	121, 122, 124
Fuel Hand Primer Pump	130
Water Pump	131, 133
Water Outlet Manifold & Thermostat (Dry Exhaust)	136, 137
Thermostat (Water Cooled Exhaust)	140, 141
Oil Cooler & Water Inlet Manifold	142, 143
Fan Hub (Less Blade) (4339464)	161, 162
Water Filter (Corrosion Inhibitor)	173, 174
* Pages 67, 68, 70, 71, 76, 77, 78, 84, 85, 86, 87, and 88 are peculiar to Engines 4354816 and 4354817.	

For Engine 4359798 see added pages as follows:

Intake Manifold	66A
Exhaust Manifold	68A
Turbocharger (Muffler)	78A thru 78D
Exhaust Diffuser	78E
Optional Exhaust Pipes	78E

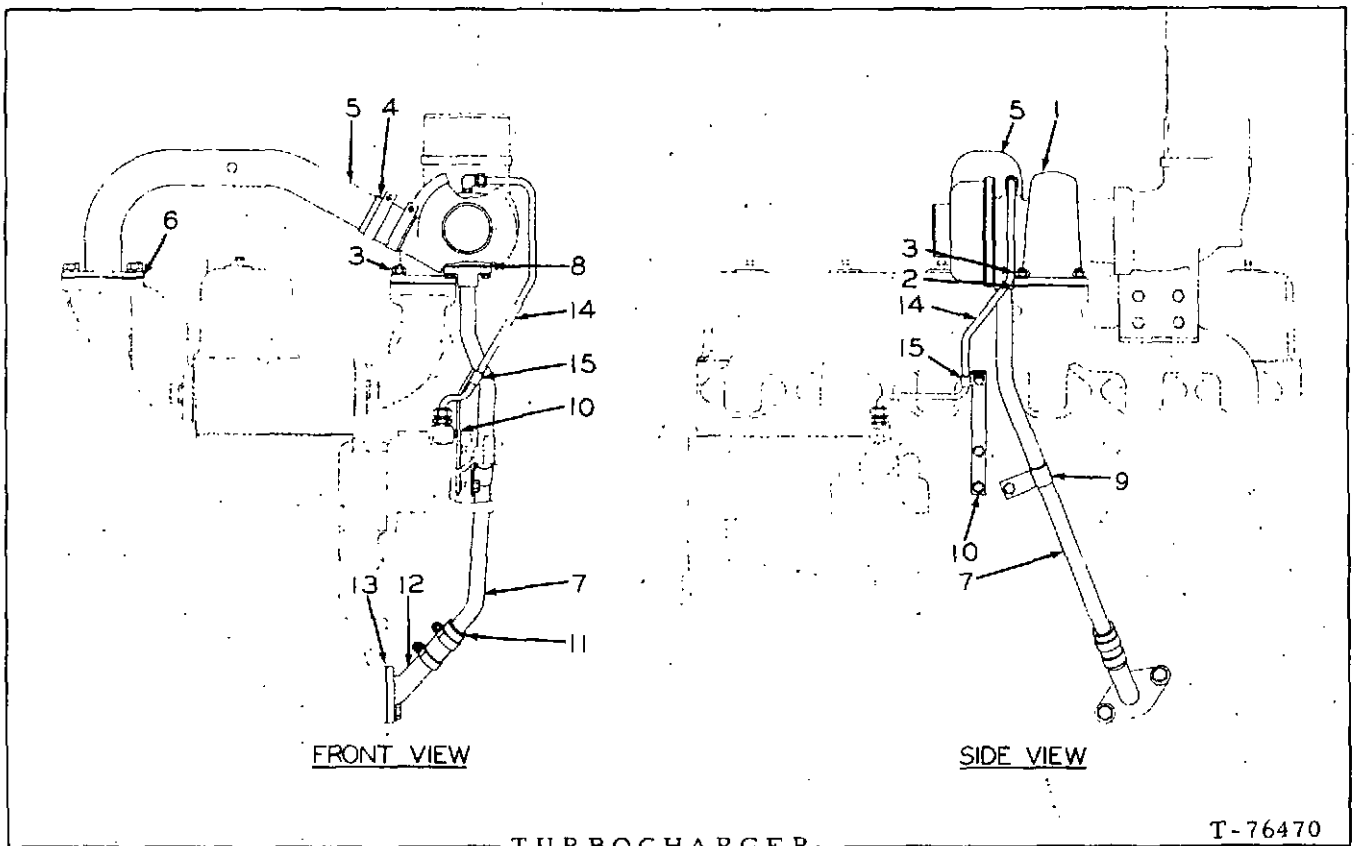
Supplement to TPL-4004-B



INTAKE MANIFOLD

T-13157

ITEM	PART NO.	QTY.	DESCRIPTION
1	4359725	1	MANIFOLD, intake
2	* -----	2	STUD, intake manifold (2-1/2" long) (Refer to Cyl. Head)
	-----	10	STUD, intake manifold (2-1/8" long) (Refer to Cyl. Head)
	0904208-6	12	LOCKWASHER, 1/2"
	0910325-0	12	NUT, 1/2"NC
3	4359741	6	GASKET, intake manifold
	* 0921073	1	PLUG, NPTF 1"
	0901652	1	PLUG, pipe, 1/4"



TURBOCHARGER
(Model T-04)

T-76470

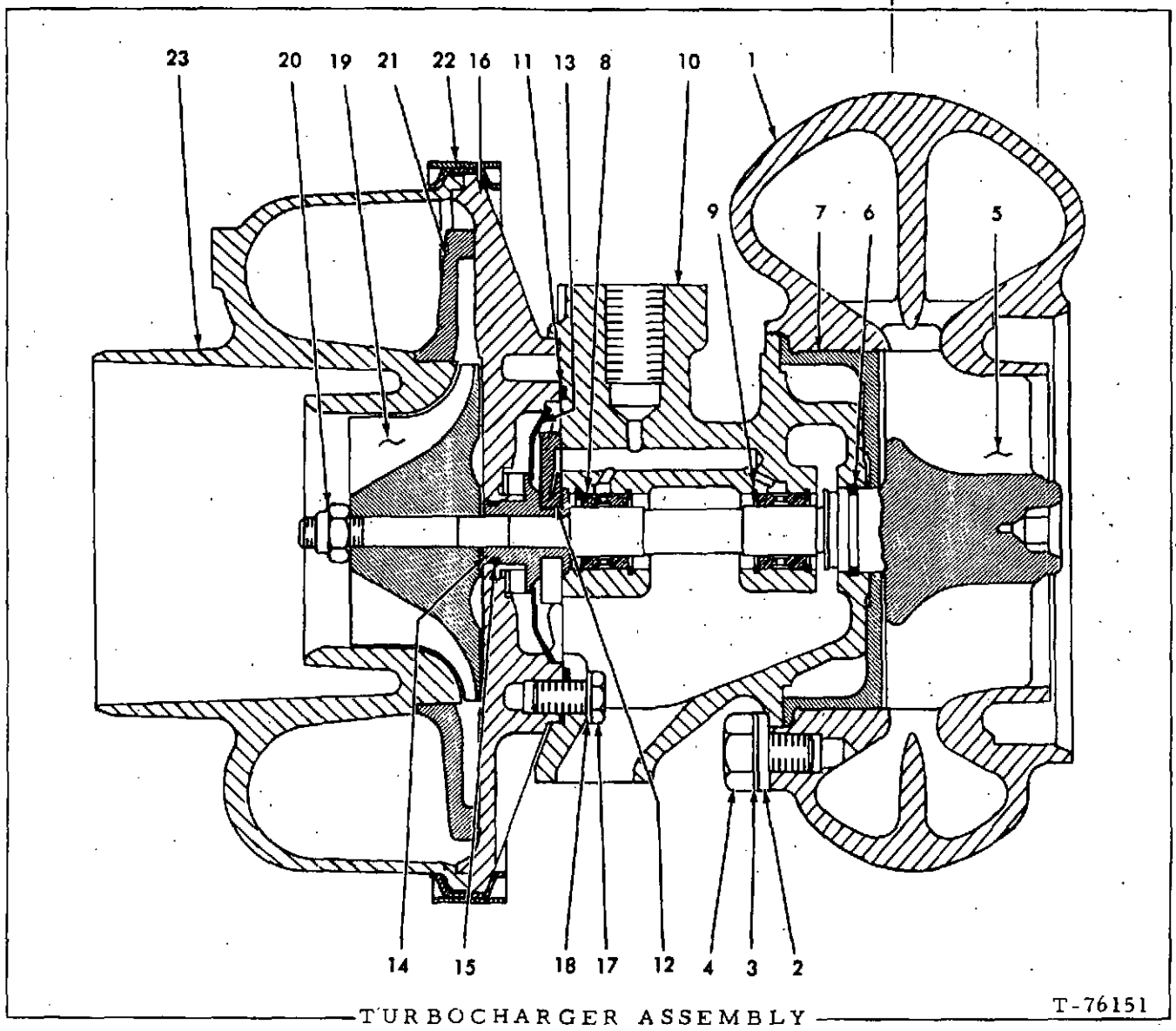
ITEM	PART NO.	QTY.	DESCRIPTION
1	4359212-0	1	TURBOCHARGER ASSY.,
2	4359214-6	1	GASKET, turbocharger mounting
3	-----	1	STUD (See EXHAUST MANIFOLD)
	4255977-3	4	NUT, stainless, 3/8"NC
	0913544-3	4	WASHER, flat
4	4359213-8 0927140	1	HOSE, air discharge elbow CLAMP, hose
5	4359216-1 0919840-9	1 1	TUBE, air discharge PLUG, pipe, hex-hd., 1/4"NPT
	0916311-4	4	CAPSCREW, 1/2"NC x 1-1/4"
	0904208-6	4	LOCKWASHER, 1/2"
6	4349193-5	1	GASKET, air discharge elbow
7	4359226-0 0916271-0 0904206-0	1 2 2	TUBE, oil drain CAPSCREW, 3/8"NC x 1" LOCKWASHER, 3/8"
8	4339532-6	1	GASKET, oil drain line
9	4336620-2	1	CLAMP, supporting, oil drain line
10	4339722-3	1	BRACKET, supporting, oil drain line

(Continued)
78A

TPL-4004B

TURBOCHARGER (Continued)
(Model T-04)

ITEM	PART NO.	QTY.	DESCRIPTION
11	4358728-6	1	HOSE, oil drain line
	0921912-2	2	CLAMP, hose, 1-7/16" diam.
12	4337114-5	1	FLANGE, oil drain line
	0916311-4	2	CAPSCREW, 1/2"NC x 1-1/4"
	0904208-6	2	LOCKWASHER, 1/2"
13	4336436-3	1	GASKET, oil drain line flange
14	4359225	1	TUBE, oil feed
	4338301-7	1	SLEEVE, (turbo end)
	0917807-0	1	SLEEVE, Sealastic, 3/8" tube (filter end)
	0917810-4	2	NUT, Sealastic, 3/8" tube
	0920700-2	2	CONNECTOR, Sealastic, 3/8" tube, 3/8"NPT male
	0920280-5	1	ELBOW, Imperial, 90°, 3/8" tube, 1/4"NPT male
15	4337590-6	1	CLAMP, supporting, oil feed tube
	0911169-1	1	CAPSCREW, 5/16"NF x 5/8"
	0904205-2	1	LOCKWASHER, 5/16"



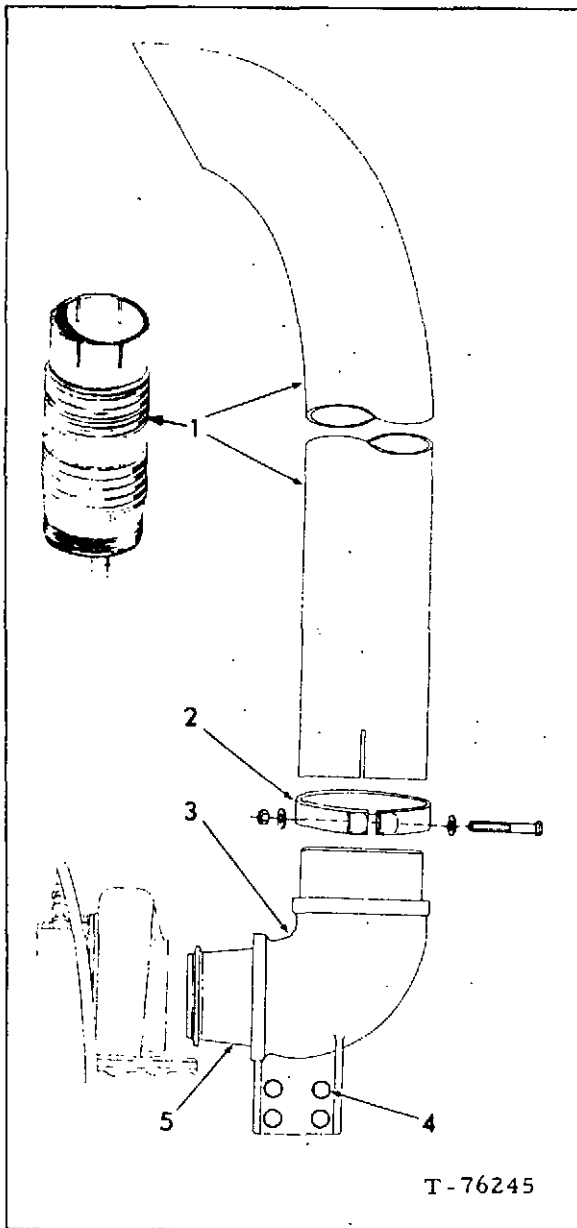
ITEM	PART NO.	QTY.	DESCRIPTION
-	4359212-0	-	TURBOCHARGER ASSY.
1	4060014-0	1	HOUSING, turbine
2	4059990-4	3	CLAMP
3	4059991-2	3	LOCKPLATE, turbine housing bolts
4	4059998-7	6	BOLT, turbine housing
5	4060011-6	1	SHAFT AND TURBINE WHEEL
6	4059985-4	1	RING, sealing, turbine wheel shaft
7	4059997-9	1	SHROUD, turbine housing

(Continued)

TURBOCHARGER ASSEMBLY (Continued)

ITEM	PART NO.	QTY.	DESCRIPTION
8	4059996-1	2	BEARING, turbine shaft
9	4059989-6	4	RING, snap, bearing retaining
10	4059999-5	1	HOUSING ASSY., center (Includes PIN indented below)
	4060000-9	2	PIN, spring, stainless, 3/32" x 1/4"
11	4056300-9	1	RING, sealing, compressor housing
12	4059986-2	1	BEARING, thrust
13	4059987-0	1	SPRING, thrust bearing
14	4059988-8	1	COLLAR, thrust
15	4059984-7	1	RING, sealing, thrust collar
16	4060681-6	1	BACKPLATE, compressor housing
17	4181061-5	4	BOLT, attaching
18	4059992-0	2	LOCKPLATE
19	4060006-6	1	WHEEL, compressor
20	4059993-8	1	NUT, turbine shaft
21	4060003-3	1	DIFFUSER, discharge air
22	4059995-3	1	COUPLING, V-band (Includes clamping screw)
23	4060009-0	1	HOUSING, compressor

**DIFFUSER AND EXHAUST PIPE
(4359866) (4431871)**



ITEM	PART NO.	QTY.	DESCRIPTION
1	0644045	1	PIPE, exhaust (4359866)
	4431872		TUBE, flexible exhaust (4431971)
2	0644001	1	CLAMP, exhaust pipe (4359866)
	0051897	1	CAPSCREW, 3/8"NF x 3"
	0900817	2	WASHER,
	0911041	1	NUT, 3/8"NF
	0904206	1	LOCKWASHER
3	4359207-0	1	ELBOW, exhaust
4	4255003-8	4	CAPSCREW, stain- less steel, 3/8"NC x 1-1/4"
	0904206-0	4	LOCKWASHER, 3/8"
5	4359205-4	1	DIFFUSER, exhaust


NOTE: Items 1 and 2 are optional equipment for use with the TO4 turbocharger.

FOREWORD

This Parts Manual contains parts information on the unit or units specified on cover.

The Basic Engine Index is provided as a means of identifying and locating parts pertaining to the basic engine only.

The Optional Equipment Index is provided as a means of identifying parts and accessories installed on the unit at the factory. Some optional equipment may be substituted for basic engine equipment or added to the basic engine (See NOTE on page 4). The Optional Equipment Catalog Numbers applying to each engine are on the Optional Equipment Plate located on the left-hand side of the cylinder block. See Illustration Number 1.

 ALLIS-CHALMERS HARVEY, ILLINOIS - MADE IN U. S. A. OPTIONAL EQUIPMENT MODEL <input type="text"/> AC ORDER NO. <input type="text"/>	CATALOG NO.	EQUIPMENT	CATALOG NO.	EQUIPMENT	CATALOG NO.	EQUIPMENT

HT-53187

ILLUSTRATION NO. 1


Optional equipment parts are found by identifying the Optional Equipment Catalog Number in parentheses () in the heading or immediately following the description of a part throughout the parts book.

The terms "right" and "left" used in this parts list are determined by standing at flywheel end of engine and facing the flywheel.

Attaching parts such as capscrews, nuts, etc., are indented immediately following the parts which they attach or are attached to.

ENGINE SERIAL NUMBER

The Engine Serial Number is found on the name plate located at the rear left side of the cylinder block. See Illustration 2.

 ALLIS-CHALMERS HARVEY, ILLINOIS • MADE IN U. S. A.	
<input type="text"/>	<input type="text"/>
ENGINE MODEL	ENG. CATALOG NO.
ENGINE SERIAL NO.	<input type="text"/>

HT-53188

ILLUSTRATION NO. 2

IMPORTANT

Always give Engine Serial Number when ordering parts. To obtain shipment promptly give part name and part number. Order parts from the dealer covering the local territory.

Always give complete address where parts are to be shipped and specify whether material is to be shipped via freight, express or parcel post. Confirm all telephone or telegraph orders in writing.

Claims for shortages or errors in shipment must be made immediately upon receipt of shipment. Claims for damages in shipment must be filed with the transportation company. No responsibility is assumed for delay or damage to merchandise while in transit.

NEW SERIAL NUMBERING SYSTEM
FOR ALL HARVEY WORKS ENGINES
BUILT AFTER MARCH 6, 1963

ENGINE MODEL	FUEL	VEHICLE	LAST OLD SERIAL	FIRST NEW SERIAL
B & G-153, 175, 230, 262, 273	Gas Gasoline L.P.G.	Commercial	409615	G-01001
D, DA & BD-153, 175, 230, 262, 273, D-262-T	Diesel	Commercial	124730	D-01001
6000	Diesel	Commercial	124120	6-20001
7000	Diesel	Commercial	124120	7-20001
10000	Diesel	Commercial	124120	10-10001
11000	Diesel	Commercial	124120	11-10001
16000 & 16000-H	Diesel	Commercial	111587	16-05001
21000 & 21000-H	Diesel	Commercial	111587	21-05001
25000	Diesel	Commercial	111587	25-01001

INDEX - (BASIC ENGINES)
10000 Power Unit

CATALOG NUMBERS	DESCRIPTION	PAGE NUMBER			
COMPLETE UNITS					
4336885	BASIC ENGINE w/American Bosch Fuel Injection Pump	X	-	-	-
4339062	BASIC ENGINE w/Roosa Fuel Injection Pump	-	X	-	-
4354813	BASIC ENGINE w/Roosa Fuel Injection Pump	-	X	-	-
4339348	BASIC ENGINE w/Roosa Fuel Injection Pump and Water Cooled Exhaust Manifold	-	-	X	-
4354812	BASIC ENGINE w/Roosa Fuel Injection Pump and Water Cooled Exhaust Manifold	-	-	X	-
4338040	ENGINE ASSY., w/Torque Converter and American Bosch Fuel Injection Pump	-	-	-	X
	Crankshaft	18	18	18	18
	Cylinder Block	12	12	12	12
	Cylinder Head	40	40	40	40
	Exhaust Manifold	69	69	69	69
	Exhaust Manifold (Water Cooled)	-	-	70	-
	Fan Hub	161	161	161	161
	Flywheel Housing	24	24	24	24
	Flywheel & Ring Gear	24	24	24	24
	Fuel Filter *(104 thru 107)	*	*	*	*
	Fuel Filter Lines - Bosch	108	-	-	108
	Fuel Filter Lines - Roosa	-	106	106	-
	Fuel Injection Pump - Roosa	-	97,101	97,101	-
	Fuel Injection Pump - Bosch	89,91	-	-	89
	Fuel Injection Nozzle Holder *(123 thru 125)	*	*	*	*
	Fuel Injection Lines - Bosch	116	-	-	116
	Fuel Injection Lines - Roosa	-	119,121	119,121	-
	Fuel Return Lines - Bosch	110	-	-	110
	Fuel Return Lines - Roosa *(112 thru 115)	-	*	*	-
	Intake Manifold	67	67	67	67
	Oil Filter *(57 thru 62)	*	*	*	64
	Oil Pan & Oil Level Gauge	47	47	47	47
	Oil Pump	49	49	49	49
	Piston & Connecting Rod	21	21	21	21
	Thermostat & By-Pass *(138 thru 141)	-	-	*	-
	Timing Gear Housing - Bosch	33	-	-	33
	Timing Gear Housing - Roosa	-	36	36	-
	Torque Converter	-	-	-	296
	Valve Operating Mechanism	44	44	44	44
	Water Inlet Manifold	142	142	142	142
	Water Outlet Manifold & Thermostat . . . *(134 thru 137)	*	*	-	*
	Water Pump	131	131	131	131
4336886	ENGINE ASSY., Includes Basic Engine 4336885 plus 4335912, 4336899, 4336910, 4336991, 4336993, 4378478, 4354130				
4336887	OPEN POWER UNIT, Includes Engine Assy., 4336885 plus 4254493, 4335774, 4336908, 4348728				
4336888	CLOSED POWER UNIT, Includes Open Power Unit plus 4336962				

INDEX - (BASIC ENGINES)
11000 Power Unit

CATALOG NUMBER	DESCRIPTION	PAGE NUMBER		
COMPLETE UNITS				
4336890	BASIC ENGINE w/American Bosch Fuel Injection Pump	X	-	-
4339256	BASIC ENGINE w/Roosa Fuel Injection Pump	-	X	-
4354814	BASIC ENGINE w/Roosa Fuel Injection Pump	-	X	-
4339349	BASIC ENGINE w/Roosa Fuel Injection Pump and Water Cooled Exhaust Manifold	-	-	X
4354815	BASIC ENGINE w/Roosa Fuel Injection Pump and Water Cooled Exhaust Manifold	-	-	X
	Crankshaft	18	18	10
	Cylinder Block	12	12	12
	Cylinder Head	40	40	40
	Exhaust Manifold (Dry)	68	68	-
	Exhaust Manifold (Water Cooled)	-	-	70
	Fan Hub	161	161	161
	Flywheel Housing	24	24	24
	Flywheel & Ring Gear	24	24	24
	Fuel Filter *(104 thru 107)	*	*	*
	Fuel Filter Lines - Bosch	108	-	-
	Fuel Filter Lines - Roosa	-	106	106
	Fuel Injection Pump - Bosch	89,91	-	-
	Fuel Injection Pump - Roosa	-	97,101	97,101
	Fuel Injection Nozzle Holder *(123 thru 125)	*	*	*
	Fuel Injection Lines - Bosch	116	-	-
	Fuel Injection Lines - Roosa	-	119,121	119,121
	Fuel Return Lines - Bosch	110	-	-
	Fuel Return Lines - Roosa *(112 thru 115)	-	*	*
	Intake Manifold	67	67	67
	Oil Cooler & Water Inlet Manifold	142	142	142
	Oil Filter *(57 thru 62)	*	*	*
	Oil Pan & Oil Level Gauge	47	47	47
	Oil Pump	49	49	49
	Piston & Connecting Rod	21	21	21
	Thermostat & By-Pass *(138 thru 141)	-	-	*
	Timing Gear Housing - Bosch	33	-	-
	Timing Gear Housing - Roosa	-	36	36
	Turbocharger	72,76	72,76	72,76
	Turbocharger Diffuser	83,87	83,87	83,87
	Valve Operating Mechanism	44	44	44
	Water Outlet Manifold & Thermostat *(134 thru 137)	*	*	-
	Water Pump	131	131	131
4336891	ENGINE ASSY., Includes Basic Engine 4336890 plus 4335912, 4336900, 4336912, 4336991, 4336992, 4338478, 4354130			
4336892	OPEN POWER UNIT, Includes Engine Assy. 4336891, plus 4335774, 4336909, 4336960, 4336994			
4336893	CLOSED POWER UNIT, Includes Open Power Unit 4336892 plus 4336962			
4336895	ENGINE w/TORQUE CONVERTER, Includes Basic Engine w/4337011 Governor plus 4336918, 4336929, 4336863			
4336896	OFF-HIGHWAY ENGINE, Includes Basic Engine 4336890 w/4337011 Governor plus 4336938, 4336953 plus Breather Trailer Tube			

INDEX - (BASIC ENGINES)
10000 & 11000 Diesel Electric System

DESCRIPTION	PAGE NUMBER	
	10000 Engine	11000 Engine
Air Filter	182	178
Belt Guard (See Usage)	164	164
Crankshaft	18	18
Cylinder Block	12	12
Cylinder Head	40	40
Engine Control Panel (See Usage)	192,195	192,195
Exhaust Manifold	68,69,70	68,69,70
Fan Hub	161	161
Flywheel Housing	31	31
Flywheel & Ring Gear	31	31
Fuel Filter	104,106	104,106
Fuel Injection Pump - Bosch	93,95	93,95
Fuel Injection Pump - Roosa	97,101	97,101
Fuel Injection Nozzle Holder	123 thru 125	123 thru 125
Fuel Injection Nozzle & Lines - Bosch	116	116
Fuel Injection Nozzle & Lines - Roosa	119,121	119,121
Fuel Injection Return Lines - Bosch	110	110
Fuel Injection Return Lines - Roosa	112,114	112,114
Fuel Injection Filter Lines - Bosch	108	108
Fuel Injection Filter Lines - Roosa	106	106
Hand Primer Pump	126	126
Intake Manifold	67	67
Oil Cooler	-	142
Oil Filter	57 thru 62	57 thru 62
Oil Pan & Oil Level Gauge	47	47
Oil Pump	49	49
Piston & Connecting Rod	21	21
Thermostat	134 thru 141	134 thru 141
Timing Gear Housing - Bosch Type	33	33
Timing Gear Housing - Roosa Type	36	36
Turbocharger	-	72,76
Turbocharger Diffuser	-	83,87
Valve Operating Mechanism	44	44
Water Inlet Manifold	143	142
Water Outlet Manifold	134,137	134,137
Water Pump	131	131

Diesel Electric System	Main Generator	Engine Model
4430225	4430805	11000 w/American Bosch Fuel Injection Pump
4430608	4430331	10000 w/American Bosch Fuel Injection Pump
4430619	4430331	10000 w/American Bosch Fuel Injection Pump
4430620	4430472	10000 w/American Bosch Fuel Injection Pump
4430621	4430331	10000 w/American Bosch Fuel Injection Pump
4430622	4430468	10000 w/American Bosch Fuel Injection Pump
4430800	4430802	10000 w/Roosa Fuel Injection Pump
4430801	4430802	10000 w/Roosa Fuel Injection Pump
4430967	4430802	10000 w/Roosa Fuel Injection Pump & Water Cooled Exhaust Manifold
4430968	4430802	10000 w/Roosa Fuel Injection Pump & Water Cooled Exhaust Manifold
4430606	4445509	11000 w/American Bosch Fuel Injection Pump
4430624	4445511	11000 w/American Bosch Fuel Injection Pump
4430625	4445510	11000 w/American Bosch Fuel Injection Pump
4430626	4445509	11000 w/American Bosch Fuel Injection Pump

INDEX - (BASIC ENGINES) (CONTINUED)
10000 & 11000 Diesel Electric System

Diesel Electric System	Main Generator	Engine Model
4430627	4445511	11000 w/American Bosch Fuel Injection Pump
4430803	4431097	11000 w/Roosa Fuel Injection Pump
4431643	4431644	11000 w/Roosa Fuel Injection Pump
4431440	4431441	11000 w/American Bosch Fuel Injection Pump
4430804	4431097	11000 w/Roosa Fuel Injection Pump
4430969	4431097	11000 w/Roosa Fuel Injection Pump & Water Cooled Exhaust Manifold
4430970	4431097	11000 w/Roosa Fuel Injection Pump & Water Cooled Exhaust Manifold
4431020	4445509	11000 w/Roosa Fuel Injection Pump

10000 & 11000 Diesel Electric Systems listed above include Basic Engine, Main Generator, Generator Mounting Kit, Engine Supports, Engine Control Panel and Base Shims.

For Parts information on Main Generator, Voltage Regulator, Switchboards, Generator Mounting Kits and Allied Optional Equipment refer to TPL-4000C.

OPTIONAL EQUIPMENT INDEX

NOTE: CATALOG NUMBERS indicated by an asterisk (*) are factory substitution part(s) for Basic Engine Equipment.

CATALOG NUMBER	DESCRIPTION	PAGE	CATALOG NUMBER	DESCRIPTION	PAGE
068967	RAIN CAP	370	*4336922	FLYWHEEL	25
920186	REDUCER BUSHING	370	*4336924	FLYWHEEL	25
920212	REDUCER BUSHING	370	*4336927	FLYWHEEL	25
4016652	EXHAUST SILENCER	370	*4336929	FLYWHEEL	25
4033688	SPARK ARRESTER	370	*4336931	FLYWHEEL	26
4034006	EXHAUST SILENCER	370	*4336933	FLYWHEEL	26
4254493	EXHAUST PIPE	369	*4336935	FLYWHEEL	26
4311548	WARNING HORN	201	*4336936	FLYWHEEL	26
4335751	INSTRUMENT PANEL	190	*4336938	FLYWHEEL	26
4335764	ETHER STARTING AID	200	*4336940	FLYWHEEL	26
4335774	FRONT SUPPORT	35, 37	*4336941	FLYWHEEL	26
4335838	FLYWHEEL HSG. ADAPTOR	29	*4336943	FLYWHEEL	26
4335881	INSTRUMENT PANEL	190	*4336944	FLYWHEEL	26
4335912	INSTRUMENT PANEL	189	*4336946	FLYWHEEL	26
4336864	TAILSHAFT GOVERNOR DRIVE	322	*4336947	FLYWHEEL	26
4336899	AIR CLEANER	176	*4336949	FLYWHEEL	26
4336900	AIR CLEANER	178	*4336950	FLYWHEEL	26
4336901	AIR CLEANER	176	*4336952	FLYWHEEL HOUSING	28
4336902	AIR CLEANER	178	*4336953	FLYWHEEL HOUSING	28, 30
4336904	AIR COMPRESSOR	233, 248	4336960	POWER TAKE-OFF	335
4336906	AIR COMPRESSOR	233, 248	4336962	SHEET METAL HOUSING	362
4336908	RADIATOR	154 thru 157	4336964	SIDE DOOR	363
4336909	RADIATOR	154 thru 157	4336965	STARTER	284
4336910	FAN	161, 162	4336966	GENERATOR	20, 190, 275
4336911	FAN	161, 162	4336967	GENERATOR	20, 190, 275
4336912	FAN	161, 162	4336968	GENERATOR	190, 277
4336913	FAN	161, 162	4336969	GENERATOR	190, 277
4336915	FAN GUARD	155	4336971	CHANNEL BASE	368
4336917	FAN GUARD	155	4336973	LIFTING EYE	42
4336918	HEAT EXCHANGER	148	4336974	TACHOMETER	207
*4336920	FLYWHEEL	25	4336975	TACHOMETER	207

OPTIONAL EQUIPMENT INDEX (CONTINUED)

CATALOG NUMBER	DESCRIPTION	PAGE	CATALOG NUMBER	DESCRIPTION	PAGE
4336977	FUEL VALVE	109, 191	4338084	RAW WATER PUMP	144, 150
4336978	OIL PAN & PUMP	48, 52, 55	*4338086	FLYWHEEL HOUSING	28, 29, 30
4336981	OIL COOLER	60, 142	4338095	FLYWHEEL ADAPTOR	28, 30, 285
*4336984	GOVERNOR	90, 92	4338099	DRIVE SHAFT	227
*4336985	GOVERNOR	73, 90, 92	4338100	FLEX. DRIVE SHAFT	227
*4336987	GOVERNOR	90, 92	*4338109	FLYWHEEL	26
*4336988	GOVERNOR	90, 92	4338127	TACHOMETER	207
4336989	TAILSHAFT GOVERNOR	227	*4338137	GOVERNOR	89, 90
4336991	THROTTLE CONTROL	191	*4338138	GOVERNOR	89, 90
4336993	STOP CONTROL	191	*4338139	GOVERNOR	90, 92
*4336996	GOVERNOR	89, 91	*4338140	W.C. EXHAUST MANIFOLD	70, 73, 83
*4336999	GOVERNOR	89, 91	*4338141	W.C. EXHAUST MANIFOLD	70, 73
*4337001	GOVERNOR	89, 91	*4338154	FLYWHEEL	27
*4337002	GOVERNOR	73, 89, 91	4338209	HAND OPERATING LEVER	297, 316
*4337004	GOVERNOR	89, 91	4338255	AIR CLEANER	180
*4337005	GOVERNOR	73, 89, 91	4338256	AIR CLEANER	180
*4337007	GOVERNOR	61, 89, 91	4338271	POWER TAKE-OFF	35, 37, 328, 340
*4337008	GOVERNOR	61, 89, 91	4338272	POWER TAKE-OFF	35, 37, 335, 340
*4337010	GOVERNOR	61, 89			
*4337011	GOVERNOR	61, 90, 92	*4338395	OIL FILLER	35
4337197	TORQUE CONVERTER	25, 315	*4338396	OIL FILTER RELOCATION	63
4337378	TACHOMETER DRIVE	209	*4338406	OIL PAN	47, 51
4337402	DRIVE SHAFT	227	4338441	FILTER SERVICE INDICATOR	188
4337403	DRIVE SHAFT	227	*4338465	GOVERNOR	92
4337440	GOVERNOR DRIVE	216	*4338476	FLYWHEEL	26
4337441	OVERSPEED GOVERNOR	216	*4338486	GOVERNOR	91
4337442	OVERSPEED GOVERNOR	216	4338533	GENERATOR	279
4337443	OVERSPEED GOVERNOR	216	4338731	AIR STARTER	292
4337444	OVERSPEED GOVERNOR	216	4338732	AIR STARTER	292
4337445	OVERSPEED GOVERNOR	216	4338741	TACHOMETER	207, 209
*4337469	W.C. EXHAUST MANIFOLD	70	4338986	INLET ADAPTOR & CAP	187
*4337470	W.C. EXHAUST MANIFOLD	70, 73, 83	4339046	TACHOMETER	207
4337471	RADIATOR BRACE	139, 156	*4339047	FLYWHEEL	26
4337675	TORQUE CONVERTER	25, 315	4339066	AIR CLEANER	184
*4337773	FLYWHEEL HOUSING	28, 30	4339067	RADIATOR	159, 160
*4337774	OIL COOLER	148	4339071	INSTRUMENT PANEL	189
4337775	AUXILIARY DRIVE PULLEY	20	4339073	THROTTLE CONTROL	191
4337872	HOSE	185	4339074	THROTTLE CONTROL	191
4337885	REDUCTION GEAR	342	4339077	FAN	161, 162
4337886	CHANNEL BASE	342	4339079	AIR CLEANER	184
4337906	REDUCTION GEAR	342	4339082	FAN	162
4337908	REDUCTION GEAR	342	4339083	INSTRUMENT PANEL	190
4337920	CHANNEL BASE	342	4339084	INSTRUMENT PANEL	190
4337921	CHANNEL BASE	342	4339085	TACHOMETER	207
4337922	REDUCTION GEAR	342	*4339168	OIL PAN	47, 51
4337936	STUB SHAFT	29	*4339177	OIL FILLER PIPE	43
*4337937	FLYWHEEL	25, 30	4339228	AIR CLEANER	184, 185
*4337942	FLYWHEEL	25	4339229	AIR CLEANER	184, 185
4337956	GENERATOR	190, 273	4339230	AIR CLEANER GUARD	185
4337957	GENERATOR	190, 273	4339231	AIR CLEANER ADAPTOR & CAP	185
*4337967	HEAT EXCHANGER	60, 148	4339232	AIR COMPRESSOR	255
4338034	CHANNEL BASE	368	4339233	RADIATOR	139, 159, 160
4338035	CHANNEL BASE	368	4339234	RADIATOR SHELL	158
4338036	CHANNEL BASE	368	4339235	RADIATOR GRILL	158
4338037	CHANNEL BASE	368	4339236	CORE GUARD	158
4338044	TORQUE CONVERTER	296	4339247	FAN	161, 162
4338045	TORQUE CONVERTER	296	4339248	FAN	161, 162
4338054	FAN	161, 162	4339253	FAN GUARD	159
*4338057	OIL COOLER	60, 148	4339257	AIR CLEANER	186
4338083	HEAT EXCHANGER	18, 19, 33, 132, 144	4339258	AIR CLEANER	186

OPTIONAL EQUIPMENT INDEX (CONTINUED)

CATALOG NUMBER	DESCRIPTION	PAGE	CATALOG NUMBER	DESCRIPTION	PAGE
4339260	AIR CLEANER	186	4339326	TACHOMETER	207
4339261	AIR CLEANER	186	4339327	TACHOMETER/HOURMETER	207
4339262	RAIN GUARD	159, 187	4339328	TACHOMETER/HOURMETER	207
4339264	RADIATOR	159, 160	*4339330	OIL FILLER PIPE	43
4339266	RADIATOR	139, 159, 160	4339331	AIR CLEANER HOSE	186
*4339267	FLYWHEEL HOUSING	28, 29	4339332	AIR CLEANER HOSE	185, 186
*4339268	FLYWHEEL HOUSING	28, 29, 30	4339333	SHEET METAL	362
*4339269	FLYWHEEL HOUSING	28, 30	4339334	OVERSPEED GOVERNOR	210
*4339270	FLYWHEEL HOUSING	28, 30	4339335	OVERSPEED GOVERNOR	210
4339271	TAILSHAFT GOVERNOR	43, 227	*4339353	GOVERNOR	98
*4339275	GOVERNOR	98	*4339354	GOVERNOR	98
*4339276	GOVERNOR	98	*4339355	GOVERNOR	98
*4339277	GOVERNOR	98	*4339356	GOVERNOR	99
*4339278	GOVERNOR	98	*4339357	GOVERNOR	98
*4339279	GOVERNOR	98	*4339358	GOVERNOR	98
*4339280	GOVERNOR	98	4339359	TORQUE CONVERTER	29, 296
*4339281	GOVERNOR	98	4339360	TORQUE CONVERTER	296
*4339282	GOVERNOR	99	4339361	TORQUE CONVERTER	296
*4339283	GOVERNOR	99	4339362	TORQUE CONVERTER	315
*4339284	GOVERNOR	99	4339363	TORQUE CONVERTER	315
*4339285	GOVERNOR	61, 100	4339364	TORQUE CONVERTER	315
*4339286	GOVERNOR	61, 100	*4339444	FLYWHEEL	27
*4339287	GOVERNOR	61, 100	*4339445	FLYWHEEL	27
*4339288	GOVERNOR	61, 97	4339493	STARTER	283
*4339289	GOVERNOR	61, 99	4339494	GENERATOR	279
*4339290	GOVERNOR	61, 99	4339550	AIR CLEANER	184
*4339291	GOVERNOR	61, 99	4339551	AIR CLEANER	184
*4339292	GOVERNOR	61, 99	4339552	AIR CLEANER	186
*4339293	GOVERNOR	99	4339553	AIR CLEANER	186
*4339294	GOVERNOR	99	4339694	HAND PRIMER PUMP	129
*4339295	GOVERNOR	97	4339707	GOVERNOR	61, 98
*4339296	GOVERNOR	98	4339734	EXHAUST ELBOW	87
*4339297	GOVERNOR	98	*4339743	OIL PAN	47
*4339298	GOVERNOR	98	*4339747	GOVERNOR	61, 98
*4339299	GOVERNOR	97, 184	*4339767	GOVERNOR	98
*4339300	GOVERNOR	98	*4339770	LUBE OIL FILTER	61
*4339301	GOVERNOR	99	4339825	AUXILIARY DRIVE PULLEY	20
*4339302	GOVERNOR	99	*4339854	GOVERNOR	99
*4339303	GOVERNOR	99	*4339856	GOVERNOR	100
*4339304	GOVERNOR	99	*4339887	GOVERNOR	98
*4339305	GOVERNOR	61, 100	4339891	REDUCTION GEAR	342
*4339306	GOVERNOR	61, 100	*4339897	OIL FILLER	16 & 17
*4339307	GOVERNOR	61, 100	4339899	SIDE DOOR	363
*4339308	FLYWHEEL	25	4339900	INSTRUMENT PANEL	189
*4339309	FLYWHEEL	25	4339906	STARTER	284
*4339310	FLYWHEEL	25	4339913	GOVERNOR	99
*4339311	FLYWHEEL	27	4348728	POWER TAKE-OFF	328
*4339312	FLYWHEEL	25	4349422	POWER TAKE-OFF	328
*4339313	FLYWHEEL	25	4349427	STARTER	284
*4339314	FLYWHEEL	27	4352195	WATER TEMP. GAUGE	190
*4339315	FLYWHEEL	25	4352249	WARNING HORN	201
*4339316	FLYWHEEL	27	4354130	WATER TEMP. GAUGE	190
*4339317	FLYWHEEL	27	*4354152	GOVERNOR	100
*4339318	FLYWHEEL	26	4354446	AIR COMPRESSOR	255
*4339319	FLYWHEEL	25	*4354461	FLYWHEEL	27
*4339320	FLYWHEEL	26	4354462	WATER FILTER	173
*4339321	FLYWHEEL	26	4354463	AUXILIARY PULLEY	20
*4339322	FLYWHEEL	26	*4354577	GOVERNOR	100
*4339323	FLYWHEEL	26	*4354606	FLYWHEEL	27
*4339324	FLYWHEEL	26	*4354811	FRONT TIMING	20
4339325	TACHOMETER	207	4354933	GENERATOR	281

OPTIONAL EQUIPMENT INDEX (CONTINUED)

CATALOG NUMBER	DESCRIPTION	PAGE	CATALOG NUMBER	DESCRIPTION	PAGE
4354948	RAW WATER PUMP	150	4430284	SPEED CONTROL	231
4357537	AIR COMPRESSOR	255	4430304	TACHOMETER	207
4357719	AUXILIARY DRIVE PULLEY	163	4430376	VIBRATION PADS	358, 361
*4357903	GOVERNOR	101	4430379	FOUNDATION BOLT KIT	358, 361
*4357904	GOVERNOR	101	4430380	FOUNDATION BOLT KIT	358, 361
*4357905	GOVERNOR	101	4430579	TACH. DRIVE ADAPTOR	207
*4357906	GOVERNOR	101	4430629	RADIATOR 154 thru 157,	161
*4357907	GOVERNOR	101	4430630	RADIATOR 154 thru 157,	161
*4357908	GOVERNOR	101	4430631	RADIATOR 154 thru 157,	161
*4357909	GOVERNOR	101	4430632	RADIATOR 154 thru 157,	161
*4357910	GOVERNOR	101	4430662	SUB-BASE	360
*4357911	GOVERNOR	101	4430663	SUB-BASE	360
*4357912	GOVERNOR	101	4430668	AIR CLEANER	182
*4357913	GOVERNOR	101	4430680	AIR CLEANER	178
*4357914	GOVERNOR	101	4430681	STOP CONTROL	205
*4357915	GOVERNOR	101	4430682	FUEL VALVE	204
*4357916	GOVERNOR	101	4430683	FUEL VALVE	204
*4357917	GOVERNOR	101	4430684	FUEL VALVE	204
*4357926	GOVERNOR	101	4430685	FUEL VALVE	204
*4357927	GOVERNOR	101	4430686	FUEL VALVE	204
*4357928	GOVERNOR	101	4430687	FUEL VALVE	204
*4357929	GOVERNOR	101	4430734	TACHOMETER	207
*4357930	GOVERNOR	101	4430735	SAFETY CONTROL	198
*4357931	GOVERNOR	101	4430736	SAFETY CONTROL	198
*4357932	GOVERNOR	101	4430737	SAFETY CONTROL	198
*4357933	GOVERNOR	101	4430738	STOP SWITCH	206
*4357934	GOVERNOR	101	4430739	GENERATOR 20, 194,	271
*4357935	GOVERNOR	101	4430740	IMMERSION HEATER	166
*4357936	GOVERNOR	101	4430741	IMMERSION HEATER	166
*4357937	GOVERNOR	101	4430751	STARTER	288
*4357938	GOVERNOR	101	4430752	STARTER	286
*4357939	GOVERNOR	102	4430756	IMMERSION HEATER 142,	166
*4357940	GOVERNOR	102	4430757	IMMERSION HEATER 142,	166
*4357941	GOVERNOR	102	4430758	AIR DUCT ADAPTOR	157
*4357942	GOVERNOR	102	4430760	OVERSPEED GOVERNOR	217
*4357943	GOVERNOR	102	4430761	OVERSPEED GOVERNOR	217
*4357944	GOVERNOR	102	4430762	OVERSPEED GOVERNOR	217
*4357949	GOVERNOR	101	4430763	OVERSPEED GOVERNOR	217
*4357950	GOVERNOR	101	4430764	OVERSPEED GOVERNOR	217
*4357951	GOVERNOR	101	4430766	FUEL PRESSURE GAUGE	202
*4357952	GOVERNOR	101	4430773	HEAD PRIMER PUMP	127
*4357953	GOVERNOR	102	4430786	GENERATOR 194,	269
4358666	POWER TAKE-OFF	335	4430787	HEAT EXCHANGER 18, 19,	33,
4358827	PULLEY	18, 19			132, 144
*4358975	HEAT EXCHANGER	146	4430790	STOP CONTROL SOLENOID	93
*4359179	GOVERNOR	102	4430791	STOP CONTROL SOLENOID	93
4361539	WARNING HORN 191,	201	4430792	STOP CONTROL SOLENOID	93
4377999	POWER TAKE-OFF	335	4430793	STOP CONTROL SOLENOID	93
4378098	EXHAUST PIPE 369,	370	4430815	STARTER	288
4378478	OIL PRESSURE GAUGE	190	4430816	STARTER	290
4378572	HOURLY METER	191	4430817	OVERSPEED GOVERNOR	210
4378575	SAFETY CONTROL 190,	191	4430819	OVERSPEED GOVERNOR	210
4378577	OIL PRESSURE GAUGE	190	4430821	OVERSPEED GOVERNOR	210
4378580	SAFETY CONTROL 190,	191	4430823	FUEL PRESSURE GAUGE	202
4385735	HOURLY METER	191	4430824	TACHOMETER	204
4388648	FILTER SERVICE INDICATOR	188	4430828	TACHOMETER	207
4388812	FLYWHEEL HOUSING SPACER	29	4430829	SAFETY CONTROLS	198
4389858	ANGLE ADAPTOR	207	4430836	IMMERSION HEATER	168
4403571	EXHAUST PIPE	370	4430837	IMMERSION HEATER 142,	170
4406097	EXHAUST PIPE	370	4430838	IMMERSION HEATER	168
4406621	WARNING HORN	201	4430839	IMMERSION HEATER 142,	170

Continued

OPTIONAL EQUIPMENT INDEX (CONTINUED)

CATALOG NUMBER	DESCRIPTION	PAGE	CATALOG NUMBER	DESCRIPTION	PAGE
4430840	SUB-BASE	357	4431076	LIFTING FRAME	365
4430850	GOVERNOR	210	4431094	GOVERNOR	100
4430856	OVERSPEED GOVERNOR	210	4442414	WARNING HORN	201
4430861	SHEET METAL HOUSING	364	4444417	HORN RELAY	201
4430863	SIDE DOORS	364	4445953	SAFETY CONTROL	199
4430865	AIR DUCT ADAPTOR	158	4461232	MUFFLER	370
4430868	HORN RELAY	201	4461234	MUFFLER	370
4431024	SHEET METAL & LIFTING FRAME	365	4461236	MUFFLER	370
4431036	SUB-BASE	357	4505791	WARNING HORN	201
4431052	SUB-BASE & FUEL TANK	366	4506640	MAGNETIC SWITCH	191
4431056	SUB-BASE & FUEL TANK	366	4509976	HOURLMETER	191

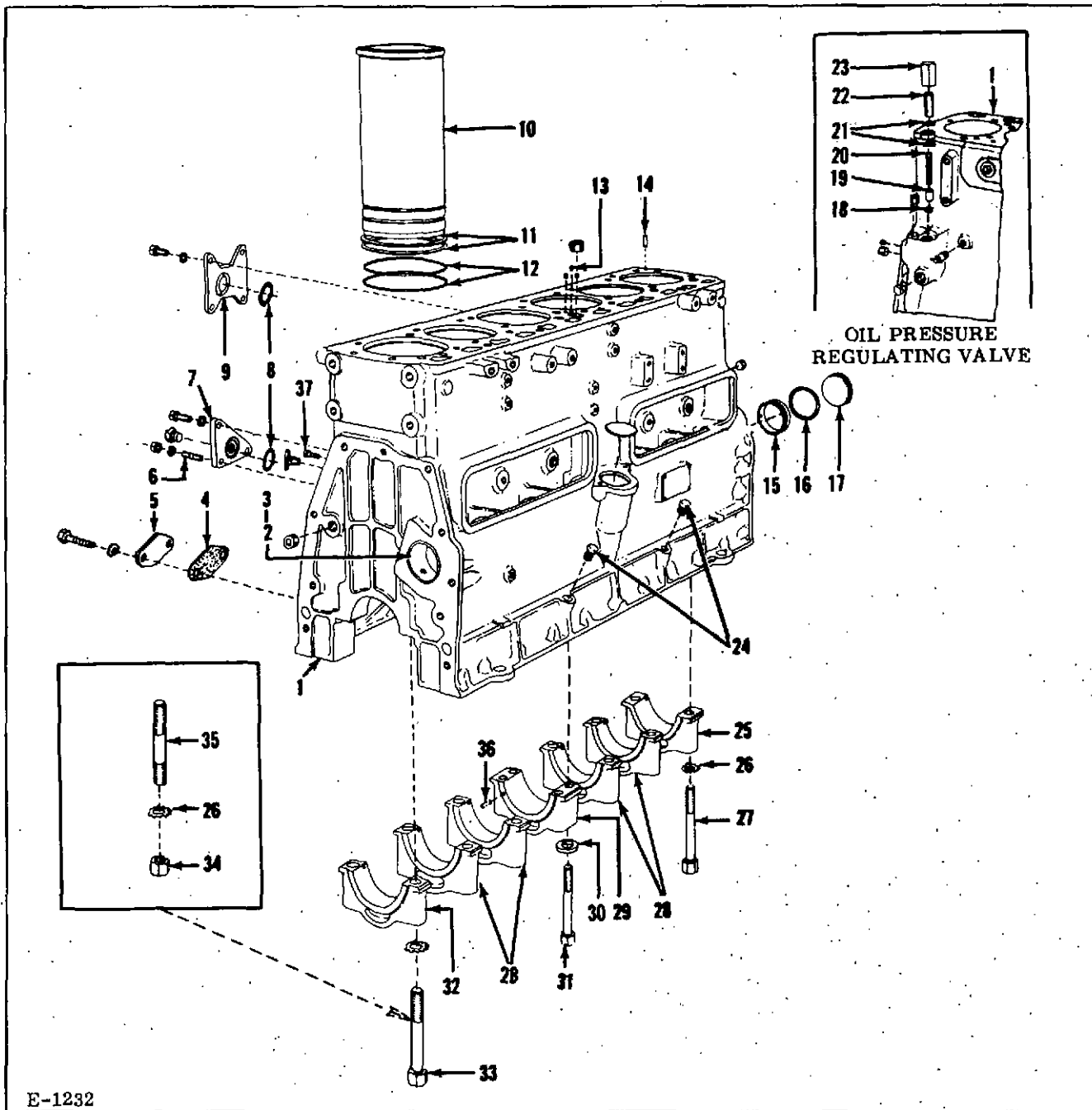
ALPHABETICAL INDEX
(Optional Equipment)

DESCRIPTION	PAGE
Air Cleaner	154 thru 188
Air Cleaner Inlet Adaptor	185, 187
Air Cleaner Hose	185
Air Compressor	233, 248, 255
Air Duct Adaptor	157, 158, 187
Air Starter	292
Auxiliary Drive Pulley	18, 19, 20, 163
Channel Base	342, 368
Core Guard	158
Drive Shaft	227
Ether Starting Aid	200
Exhaust Elbow	87
Exhaust Pipe	369, 370
Exhaust Silencer	370
Fan	161, 162
Fan Guard	155, 159
Filter Service Indicator	188
Flexible Drive Shaft	227
Flywheel	25 thru 30, 285
Flywheel Adaptor	28, 30, 285
Flywheel Housing	28, 30
Flywheel Housing Adaptor	29
Flywheel Housing Spacer	29
Foundation Bolt Kit	351, 358
Front Support	35, 37
Fuel Pressure Gauge	202
Fuel Tank	366
Fuel Valve	109, 191, 204
Generator	20, 190, 194, 269 thru 282
Governor (Fuel Injection)	89 thru 103
Hand Operating Lever	297, 316
Hand Primer Pump	127, 129
Heat Exchanger	18, 19, 33, 60, 144, 146, 148
Horn Relay	201
Hose	185
Hourmeter	191
Immersion Heater	142; 166 thru 171
Instrument Panel	189, 190
Lifting Eye	42
Lifting Frame	365
Lube Oil Filter	61
Magnetic Switch	191
Muffler	370
Oil Cooler	60, 142, 148
Oil Filler	16, 17, 35
Oil Filler Pipe	43
Oil Filter Relocation	63
Oil Pan	47, 48, 52, 55
Oil Pressure Gauge	190
Oil Scavenger Pump	48, 52, 55

ALPHABETICAL INDEX (CONTINUED)
(Optional Equipment)

DESCRIPTION	PAGE
Overspeed Governor	210 thru 230
Overspeed Governor Drive	216
Power Take-Off	35, 37, 328 thru 341
Radiator	139, 154 thru 160 & 131
Radiator Brace	139, 156
Radiator Grill	158
Radiator Shell	158
Rain Cap	370
Rain Guard	159, 187
Raw Water Pump	144, 150
Reducer Bushing	370
Reduction Gear	342 thru 356
Scavenger Oil Pump	48, 52, 55
Safety Control	190, 191, 198, 199
Sheet Metal Housing	362, 364, 365
Side Doors	363, 364
Spark Arrester	370
Speed Control	231
Starter	283 thru 295
Stop Control	191, 205
Stop Control Solenoid	93
Stop Switch	206
Stub Shaft	29
Sub-Base	357, 360, 366
Tachometer	187, 204, 207
Tachometer Drive	209
Tachometer Drive Adaptor	207
Tachometer & Hourmeter Combination	207
Tailshaft Governor	43, 227
Tailshaft Governor Drive	322
Throttle Control	191
Torque Converter	25, 296 thru 327
Vibration Pads	358, 361
Warning Horn	191, 201
Water Cooled Exhaust Manifold	70, 73, 83
Water Filter	173
Water Temperature Gauge	190

MEMO



E-1232

ITEM	PART NUMBER	QTY.	DESCRIPTION	PACKAGE NO.
1	4338151	1	BLOCK ASSY. (Incl. Items 2 thru 9, 13, 14, 15, 18 & 24 thru 33, 36 & 37)	
	920333	3	PLUG, pipe, 3/8" NPTF	
	910017	1	PLUG, expansion, 2-3/8"	
	919134	3	PLUG, pipe, 1/8" NPTF	
	917970	2	PLUG, pipe, 1/2" NPTF	
	920416	1	PLUG, pipe, 1/2" NPTF	
	904223	2	PLUG, pipe, 1/2" NPTF	

CYLINDER BLOCK (CONTINUED)
10000 & 11000
Power Unit & Diesel Electric Set

ITEM	PART NUMBER	QTY.	DESCRIPTION	PACKAGE NO.
	918888	1	PLUG, pipe, 1" NPTF	
	918851	1	PLUG, pipe, 3/4" NPTF	
	917724	1	PLUG, expansion, 3/4" (Used when required)	
	912415	2	COCK, drain, 1/4" NPTF	
	919134	1	PLUG, pipe, 1/8" (Used w/Roosa Fuel Injection Pump)	
2	4346100	1	BEARING, camshaft, front (Standard)	
		1	BEARING, camshaft, front (.010" Undersize)	
3	4346099	2	BEARING, camshaft, intermediate (Standard)	
		2	BEARING, camshaft, intermediate (.010" Undersize)	
4	4336436	1	GASKET, plate	
5	4339604	1	PLATE, turbo, oil drain	(10000 Only)
	918683	2	CAPSCREW, 1/2" NC x 1-1/8"	
	904208	2	LOCKWASHER, 1/2"	
6	4305073	2	STUD, cover plate	
		2	LOCKWASHER, 1/2"	
		2	NUT, 1/2" NC	
7	4359104	1	PLATE, cover oil gallery hole, lower	
	919230	1	CAPSCREW, 1/2" NC x 1-3/8"	
	904208	1	LOCKWASHER, 1/2"	
	920333	1	PLUG, pipe, 3/8" NPTF	
8	923718	2	O-RING, oil gallery hole cover plate	4359120
9	4335369	1	PLATE, cover oil gallery hole, upper	
	916311	4	CAPSCREW, 1/2" NC x 1-1/4"	
	904208	4	LOCKWASHER, 1/2"	
10	4348072	6	SLEEVE, cylinder (f/10000 & 11000 Engines with "Old" Serial Number System, Prior to Serial No. 117699)	
		6	SLEEVE, cylinder (f/10000 Engine with "Old" & "New" Serial Number System, Effective w/Serial No. 117699 thru 10-11021) (f/11000 Engine with "Old" Serial Number System, Effective w/Serial No. 117699 thru 120852) (if replacing w/4338648 SLEEVE: order 3 per HEAD)	
		6	SLEEVE, cylinder (Effective w/Serial No. 10-11022 & f/11000 Engines Effective w/Serial No. 120853 & up).	4358752
11	4348857	*	SHIM, cylinder sleeve (.005")	(* Use as Required when re-machining cylinder block)
	4348859	*	SHIM, cylinder sleeve (.010")	
	4348858	*	SHIM, cylinder sleeve (.015")	
	4348900	*	SHIM, cylinder sleeve (.020")	
12	4346184	12	RING, packing, cylinder sleeve (Prior to Serial No. 117699)	

Continued

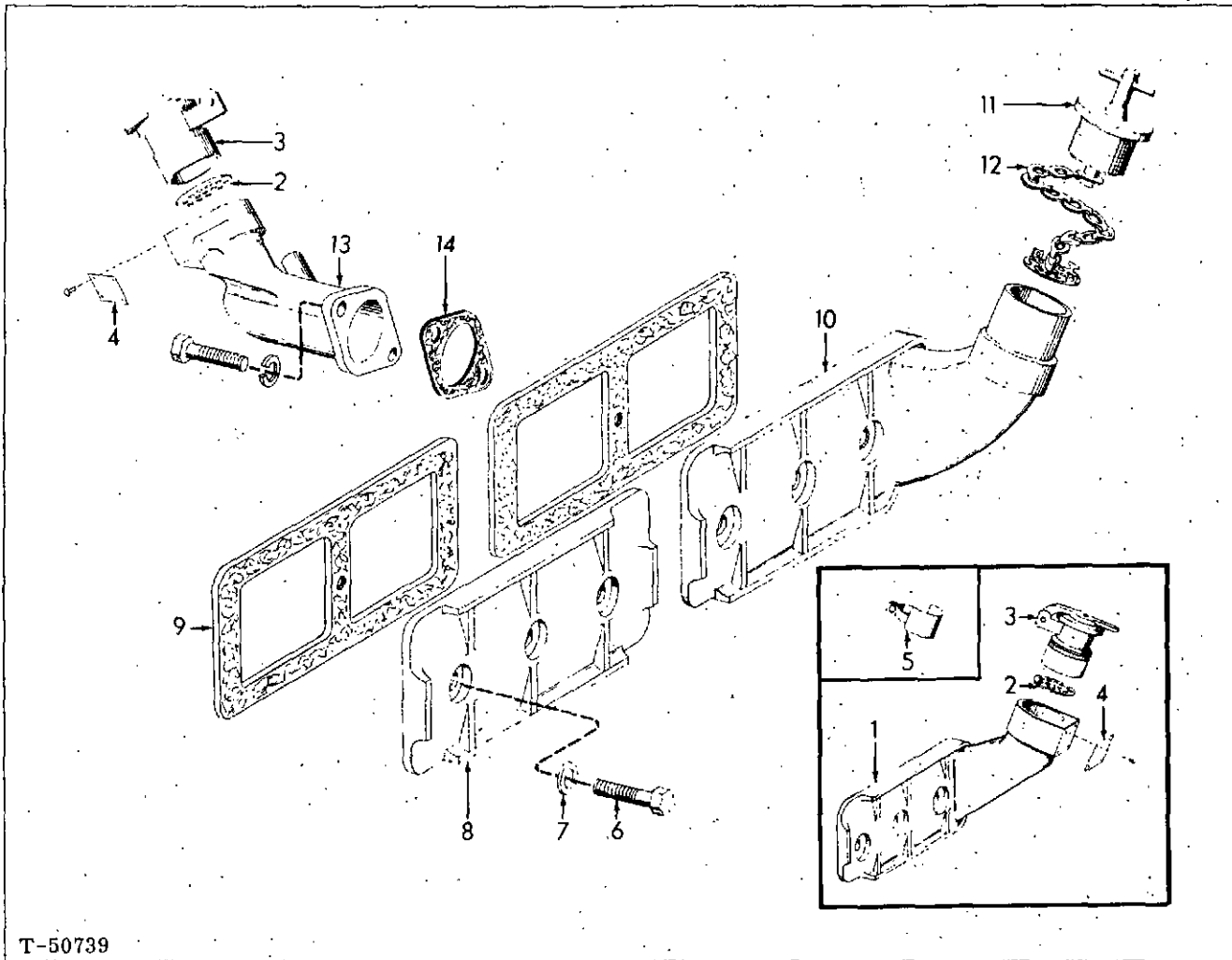
CYLINDER BLOCK (CONTINUED)
10000 & 11000
Power Unit & Diesel Electric Set

ITEM	PART NUMBER	QTY.	DESCRIPTION	PACKAGE NO.
12	4337972	12	RING, packing. cylinder sleeve (Effective w/Serial No. 117699).	4358752
13	4347061	2	RESTRICTOR, oil passage (Use when required)	
14	4336432	4	PIN, dowel. cylinder head (Use when required)	
15	4346108	1	BEARING, camshaft, rear (Standard)	
	4347413	1	BEARING, camshaft, rear (.010" Undersize)	
16	923815	1	O-RING, camshaft hole plug.	4359120
17	4335534	1	PLUG, camshaft hole	
18	4347465	1	INSERT, regulating valve. oil pressure	
19	4500230	1	PISTON, oil pressure regulating valve	
20	4660358	1	SPRING, oil pressure	
21	4113897	2	GASKET, regulating valve nut (Prior to Serial No. 10-11205 & 11-10154)	4359120
22	4660356	1	SCREW, oil pressure regulating valve (Prior to Serial No. 10-11205 & 11-10154)	
	4389058	1	SCREW, oil pressure regulating valve (Effective w/Serial No. 10-11205 & 11-10154)	
	910847	1	NUT, jam. 3/4" NF	
23	4660357	1	NUT, cap. oil pressure regulating valve (Prior to Serial No. 10-11205 & 11-10154)	
24	4362338	2	PLUG, oil level gauge hole	
25	4349631	1	CAP, rear main bearing (See Note)	
26	4346324	12	LOCKWASHER, main bearing cap capscrew (Prior to Serial No. 10-12560 & 11-11278)	
	4354175	12	WASHER, main bearing cap, capscrew (Effective w/Serial No. 10-12560 & 11-11278)	
27	4339036	10	CAPSCREW, rear and intermediate main bearing (Effective w/Serial No. 10-10626, including 10-10498 & 11-10064)	
28	4349632	4	CAP, intermediate main bearing (See Note)	
29	4349629	1	CAP, center main bearing (See Note)	
30	4346323	2	PLATE, locking, capscrew, center main bearing (Prior to Serial No. 10-12419 & 11-11188)	
	4389910	4	WASHER, center main bearing capscrew (Effective w/Serial No. 10-12419 & 11-11188)	

CYLINDER BLOCK (CONTINUED)
10000 & 11000
Power Unit & Diesel Electric Set

ITEM	PART NUMBER	QTY.	DESCRIPTION	PACKAGE NO.
31	4339038	4	CAPSCREW, center main bearing (Effective w/Serial No. 10-10626, including 10-10498 & 11-10064)	
32	4349630	1	CAP, front main bearing (See Note).	
33	4339037	2	CAPSCREW, front main bearing (Effective w/Serial No. 10-10626, including 10-10498 & 11-10064)	
34	4346191	12	NUT, main bearing stud	} (Prior to Serial No. 10-10626 Except 10-10498 & 11-10064)
	4346322	4	NUT, main bearing stud	
35	4348829	2	STUD, front main bearing	
	4348831	4	STUD, center main bearing	
	4348830	10	STUD, rear and intermediate main bearing)	
36	-----	4	PIN, dowel, crankshaft thrust flange (See CRANKSHAFT)	
37	4335777	2	CAPSCREW, hole plugging	

NOTE: Replacement bearing caps are semi-finished and must be line-bored after installing.



T-50739

VALVE LIFTER COVER

10000 & 11000

Power Unit & Diesel Electric Set

* Prior to Serial No. 10-10814 & 11-10080

** Effective w/Serial No. 10-10814 & 11-10080

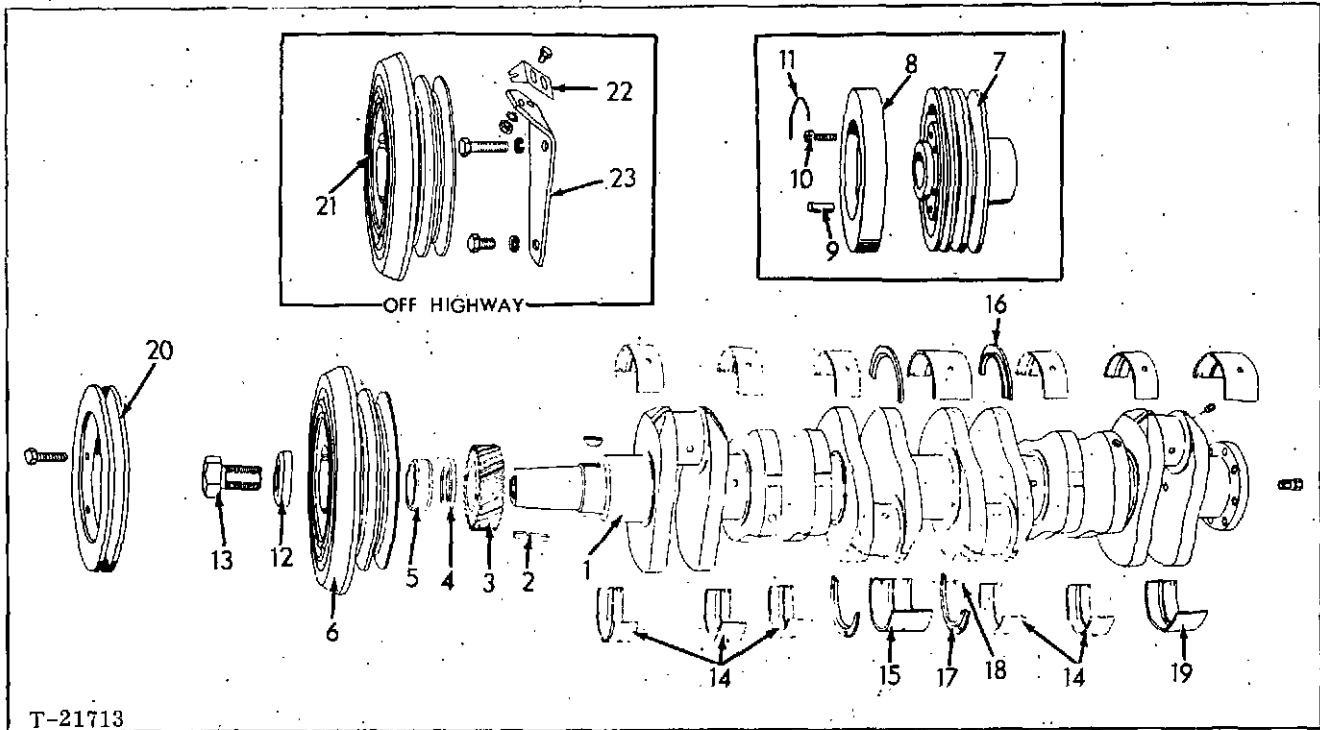
ITEM	PART NUMBER	QTY. * **	DESCRIPTION	PACKAGE NO.
1	4335454	1 -	COVER, valve lifter, rear (f/4338395, 4339177, 4339330 & 11000 Off-Highway Engine - Refer to Item 8)	
2	4335022	1 1	STRAINER, oil filler (4339897)	
3	4366461	1 1	CAP ASSY., oil filler (Serviced only as a unit) (4339897)	
4	4379141	1 1	PLATE, oil data (2nd type) (4339897)	
	904516	4 -	SCREW, drive, #6 x 1/4"	
	918097	4 4	RIVET, 1/8" x 3/16" (f/use with 4339895 filler)	
5	4379291	1 -	PLATE, oil data (1st type)	
6	4335455	6 6	CAPSCREW, valve lifter cover	
7	4335456	6 6	WASHER, capscrew.	

VALVE LIFTER COVER (CONTINUED)
10000 & 11000

Power Unit & Diesel Electric Set

* Prior to Serial No. 10-10814 & 11-10080
** Effective w/Serial No. 10-10814 & 11-10080

ITEM	PART NUMBER	QTY.		DESCRIPTION	PACKAGE NO.
		*	**		
8	4354635	1	1	COVER, valve lifter. front (2 used, 1 each front and rear on 4338395, 4339177, 4339330; 4339897 & 11000 Off-Highway Engine)	
9	4347516	2	-	GASKET, valve lifter cover (Prior to Serial No. 117942)	
	4337764	2	2	GASKET, valve lifter cover (Effective w/Serial No. 117942).....	4354291
10	4338674	-	1	COVER, valve lifter, rear	
11	4354492	-	1	CLOSURE ASSY., oil filler (Incl. Item 12) (10000)	
	4354449	-	1	CLOSURE ASSY., oil filler (Incl. Item 12) (11000)	
12	-----	-	1	CHAIN & STRAINER ASSY. (Not Serviced - Order Item 11)	
	921717	-	1	PIN, roll, 3/32" x 7/16"	
13	4339895	1	1	FILLER, oil, right hand side (4339897)	
	916311	2	2	CAPSCREW, 1/2" NC x 1-1/4"	
14	4336436	1	1	GASKET, oil filler (4339897)	



CRANKSHAFT
10000 & 11000
Power Unit & Diesel Electric Set

ITEM	PART NUMBER	QTY.	DESCRIPTION	PACKAGE NO.
1	4357323	1	CRANKSHAFT ASSY. (Incl. 919840 indented below) (See Note)	
	917673	6	PLUG, pipe, ctsk. head, 1/8" (Prior to Serial No. 10-14194 & 11-14418)	
	919840	1	PLUG, pipe, 1/4"	
NOTE: (For initial replacement on 10000 Prior to Serial No. 117417 or 11000 Prior to Serial No. 117176, also order Items 14 thru 19 & 12-4337701 Rod Bearings).				
2	4003490	1	KEY, pulley, crankshaft	
3	4346205	1	GEAR, crankshaft (Prior to Serial No. 117262 f/10000 Engine)	
	4337060	1	GEAR, crankshaft (11000 Engine) (Effective w/Serial No. 117262 for 10000 Engine)	
	905127	1	KEY, woodruff, 5/16" x 1"	
4	4374391	1	SPACER, sleeve, front oil seal (Prior to Serial No. 118549)	
5	4374390	1	SLEEVE, front oil seal (Prior to Serial No. 118549)	
6	4347815	1	PULLEY, crankshaft (Standard) (See Items 21, 22 & 23 for 11000 Off-Highway Engines)	
7	4337227	1	PULLEY, crankshaft (4338083 & 4430787)	
	4354872	1	PULLEY, crankshaft (4358827)	

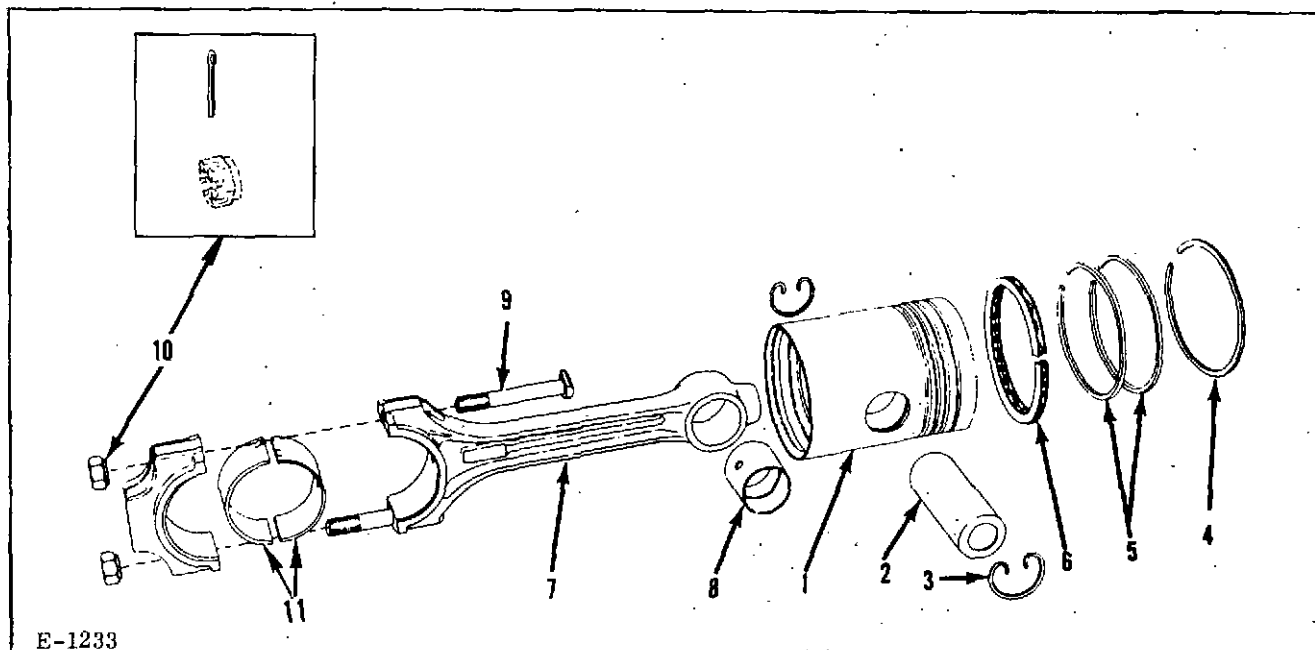
CRANKSHAFT (CONTINUED)
10000 & 11000
Power Unit & Diesel Electric Set

ITEM	PART NUMBER	QTY.	DESCRIPTION	PACKAGE NO.
8	4365344	1	DAMPER, vibration (4338083 & 4430787)	
	4354261	1	DAMPER, vibration (4358827)	
9	4365343	1	PIN, dowel (4430787 & 4338083)	
10	4365868	5	CAPSCREW, vibration damper (4338083 & 4430787)	
	4255586	6	BOLT, place. damper to pulley (4358827)	
11	4509035	2	LOCKWIRE, capscrew (4430787 & 4338083)	
12	4371503	1	WASHER, bolt. crankshaft pulley (Standard)	
	4337222	1	WASHER, bolt. crankshaft pulley (4338083, 4430787 & 4358827)	
13	4347897	1	CAPSCREW, crankshaft pulley	
14	4337710	10	BEARING, front and intermediate main (Standard)	
	4337711	10	BEARING, front and intermediate main (.010" Undersize)	
	4337712	10	BEARING, front and intermediate main (.020" Undersize)	
	4337713	10	BEARING, front and intermediate main (.030" Undersize)	
	4337714	10	BEARING, front and intermediate main (.040" Undersize)	
15	4348991	2	BEARING, center main (Standard)	
	4348992	2	BEARING, center main (.010" Undersize)	
	4348993	2	BEARING, center main (.020" Undersize)	
	4348994	2	BEARING, center main (.030" Undersize)	
	4348995	2	BEARING, center main (.040" Undersize)	
16	4337683	2	FLANGE, thrust, center main, upper (Standard)	
	4337684	2	FLANGE, thrust, center main, upper (.005" Oversize)	
	4337685	2	FLANGE, thrust, center main, upper (.010" Oversize)	
	4337686	2	FLANGE, thrust, center main, upper (.015" Oversize)	
17	4337687	2	FLANGE, thrust, center main, lower (Standard)	
	4337688	2	FLANGE, thrust, center main, lower (.005" Oversize)	
	4337689	2	FLANGE, thrust, center main, lower (.010" Oversize)	
	4337690	2	FLANGE, thrust, center main, lower (.015" Oversize)	
18	4250898	4	PIN, dowel, thrust flange	
19	4337698	2	BEARING, rear main (Standard)	
	4337699	2	BEARING, rear main (.010" Undersize)	

Continued

CRANKSHAFT (CONTINUED)
10000 & 11000
Power Unit & Diesel Electric Set

ITEM	PART NUMBER	QTY.	DESCRIPTION	PACKAGE NO.
19	4337700	2	BEARING, rear main (.020" Undersize)	(For 11000 Off-Highway Engines)
	4337715	2	BEARING, rear main (.030" Undersize)	
	4337716	2	BEARING, rear main (.040" Undersize)	
20	4339824	1	PULLEY, auxiliary drive (4339825)	
	4336805	1	PULLEY, auxiliary drive (4336966, 4336967, 4337775 & 4430739)	
	916314	6	CAPSCREW, 1/2" NC x 2"	
	904208	6	LOCKWASHER, 1/2"	
21	4336846	1	PULLEY, crankshaft (4354811)	
22	4338374	1	POINTER, front end timing (4354811)	
	915809	2	CAPSCREW, 5/16" NC x 3/4"	
	904205	2	LOCKWASHER, 5/16"	
	910323	2	NUT, 5/16" NC	
	910335	1	WASHER, plain, 5/16"	
23	4338361	1	BRACKET, timing pointer (Prior to Serial No. 118689 also order 1-4338374) (4354811)	
	916322	1	CAPSCREW, 1/2" NC x 5"	
	918683	1	CAPSCREW, 1/2" NC x 1-1/8"	
	904208	2	LOCKWASHER, 1/2"	
24	4354183	1	PULLEY, auxiliary drive	(4354463) (Not Illustrated)
	912280	6	CAPSCREW, socket head, 1/2" NC x 2"	
25	4338769	2	BELT, pulley (Specify Matched Belts)	



E-1233

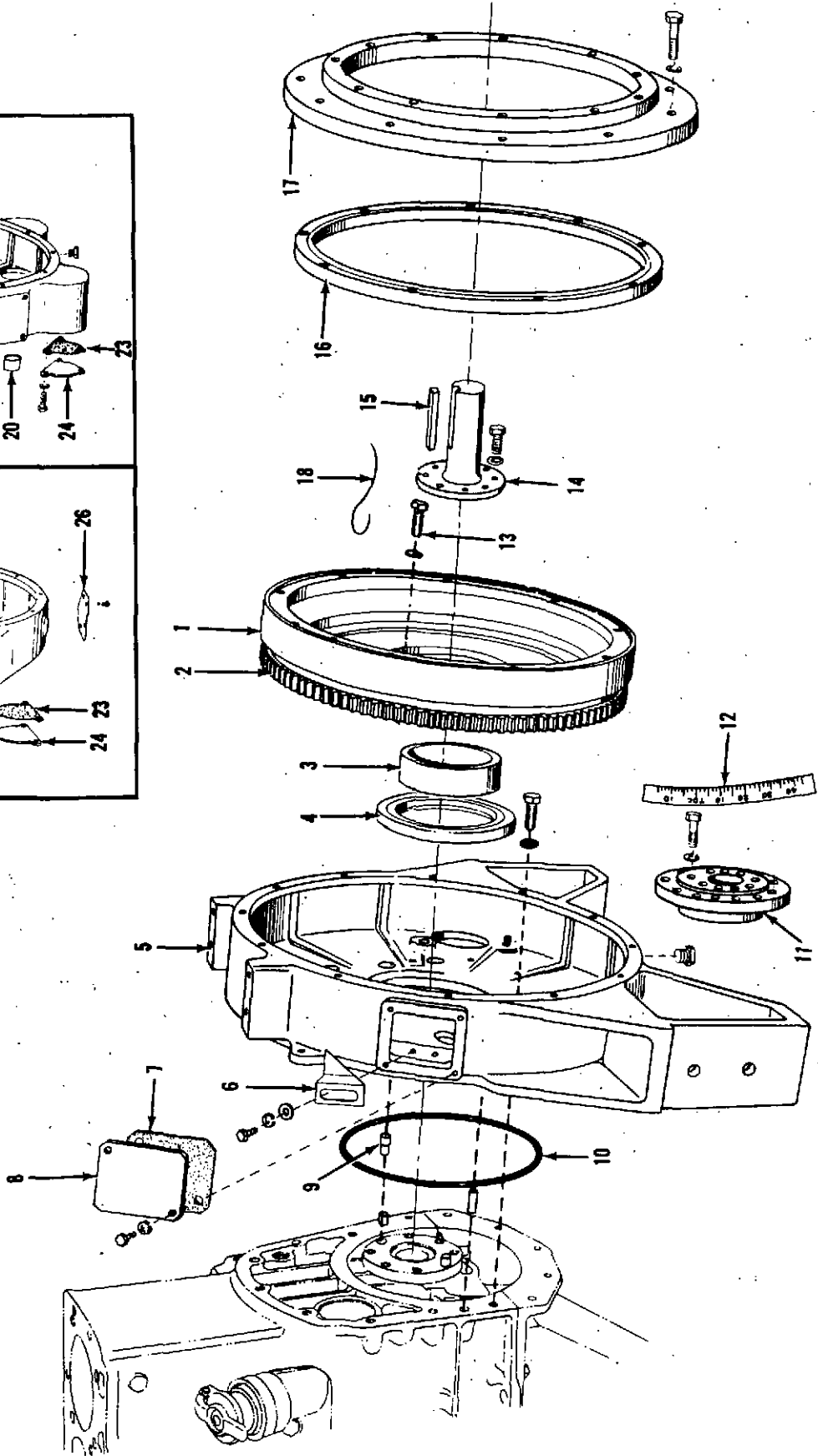
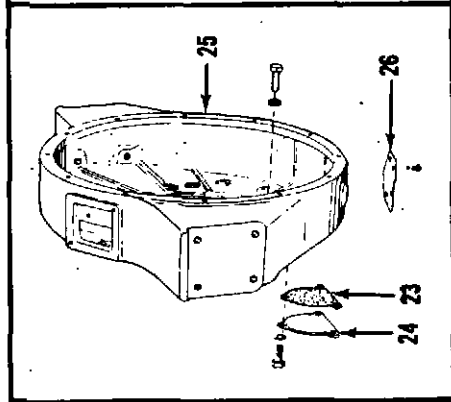
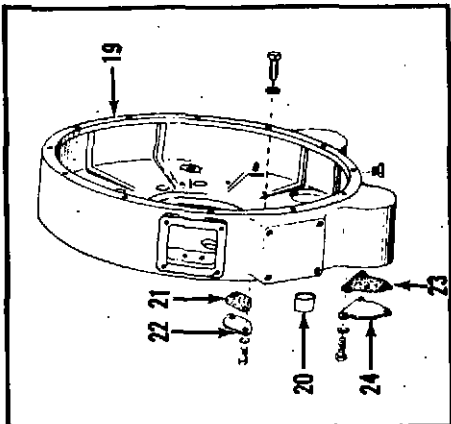
PISTON AND CONNECTING ROD.
10000 & 11000
Power Unit & Diesel Electric Set

ITEM	PART NUMBER	QTY.	DESCRIPTION	PACKAGE NO.
1	4358730	6	PISTON	4358752
2	4337395	6	PIN, piston	4358752
3	4255465	12	RETAINER, piston pin	4358752
4	-----	6	RING, compression	} (Order 4336578 Ring Set)..... 4358752
5	-----	12	RING, compression	
6	-----	6	RING, oil control	
7	4354788	6	ROD ASSY., connecting (incl. Items 8 thru 10) (For initial replacement of Engines Prior to Serial No. 10-13343 & 11-12201 also order 4354787 BOLTS)	
8	4339017	6	BUSHING, connecting rod	
9	4354179	12	BOLT, connecting rod (Prior to Serial No. 10-13343 & 11-12201)	
	4354787	12	BOLT, connecting rod (Effective w/Serial No. 10-13343 & 11-12201)	
10	4354748	12	NUT, connecting rod bolt	
	900806	12	PIN, cotter. 5/32" x 1-1/8" (Prior to Serial No. 10-12084 & 11-10645)	
11	4337701	12	BEARING, connecting rod (Standard)	
	4337702	12	BEARING, connecting rod (.010" Undersize)	
	4337703	12	BEARING, connecting rod (.020" Undersize)	

Continued .

PISTON AND CONNECTING ROD (CONTINUED)
10000 & 11000
Power Unit & Diesel Electric Set

ITEM	PART NUMBER	QTY.	DESCRIPTION	PACKAGE NO.
11	4337704	12	BEARING, connecting rod (.030" Undersize)	
	4337705	12	BEARING, connecting rod (.040" Undersize)	



E-1240

FLYWHEEL AND HOUSING

FLYWHEEL AND HOUSING
10000 & 11000
Power Unit

ITEM	PART NUMBER	QTY.	DESCRIPTION	PACKAGE NO.
	4337168	1	FLYWHEEL ASSY. (Incl. Items 2 & 12) (Used w/SAE #1 Housing, Dyer Drive & Twin Disc PTO Model C-111) (4336920) (10000 Engine Only)	
	4337167	1	FLYWHEEL ASSY. (Incl. Items 2 & 12) (Used w/SAE #1 Housing, Bendix Drive & Twin Disc PTO Model C-111) (4336922) (10000 Engine Only)	
	4338601	1	FLYWHEEL ASSY. (Incl. Item 2) (Used w/SAE #1 Housing, Bendix Drive & Twin Disc PTO Model C-111) (4339309) (10000 Engine Only)	
	4338610	1	FLYWHEEL ASSY. (Incl. Item 2) (Used w/SAE #1 Housing, Dyer Drive & Twin Disc PTO Model SP-111 & SP-211 or Rockford Model P-1122) (4336924)	
	4339243	1	FLYWHEEL ASSY. (Incl. Item 2) (Used w/SAE #1 Housing, Dyer Drive & Twin Disc PTO Model SP-111 or Rockford Model P-1122) (4339313)	
	4338609	1	FLYWHEEL ASSY. (Incl. Item 2) (Used w/SAE #1 Housing, Bendix Drive & Twin Disc PTO Model SP-111, SP-211 or Rockford Model P-1122 used with Twin Disc Torque Converter) (4337197) (4337675) (4339308) (10000 & 11000 Basic Engine)	
1	4338582	1	FLYWHEEL ASSY. (Incl. Item 2) (Used w/SAE #1 Housing, Dyer Drive & Twin Disc PTO Model SP-114, SP-214 or Rockford Model P-11417 or Clark 15AKC Torque Converter & Allis-Chalmers Main Generator Coupling) (4336927)	
	4339222	1	FLYWHEEL ASSY. (Incl. Item 2) (Used w/SAE #1 Housing, Dyer Drive & Twin Disc PTO Model SP-114, SP-214 or Rockford Model P-11417 or Clark 15AKC Torque Converter & Allis-Chalmers Main Generator Coupling) (4339315)	
	4337943	1	FLYWHEEL ASSY. (Incl. Items 2 & 12) (Used w/SAE #1 Housing, Bendix Drive & Stub Shaft) (4337942) (Prior to Serial No. 120944)	
	4338619	1	FLYWHEEL ASSY. (Incl. Item 2) (Used w/SAE #1 Housing, Bendix Drive & Stub Shaft) (4337942) (4339312) (Effective w/Serial No. 120944)	
	4338620	1	FLYWHEEL ASSY. (Incl. Item 2) (Used w/SAE #1 Housing, Dyer Drive & Stub Shaft) (4337937)	
	4338581	1	FLYWHEEL ASSY. (Incl. Item 2) (Used w/SAE #1 Housing, Bendix Drive & Twin Disc PTO Model SP-114, SP-214 or Rockford Model P-11417 Used w/Twin Disc Torque Converter Model 6-1504-1 or Clark 15 AKC Torque Converter & Allis-Chalmers Main Generator Coupling) (4336929) (4339310) (Standard on 4336895 Torque Converter Engine)	

Continued

FLYWHEEL AND HOUSING (CONTINUED)

10000 & 11000

Power Unit

ITEM	PART NUMBER	QTY.	DESCRIPTION	PACKAGE NO.
	4337175	1	FLYWHEEL ASSY. (Incl. Items 2 & 12) (Used w/SAE #2 Housing, Dyer Drive & Twin Disc PTO Model SP-111 & SP-211) (4336931) (Prior to Serial No. 10-10227 & 11-10011)	
	4338613	1	FLYWHEEL ASSY. (Incl. Item 2) (Used w/SAE #2 Housing, Dyer Drive & Twin Disc PTO Model SP-111 & SP-211) (4336931) (Effective w/Serial No. 10-10227 & 11-10011)	
	4338544	1	FLYWHEEL ASSY. (Incl. Item 2) (Used w/SAE #2 Housing, Dyer Drive & Rockford Model CLA-2129-1 Clutch) (4336940) (4336941)	
	4337180	1	FLYWHEEL ASSY. (Incl. Items 2 & 12) (Used w/SAE #2 Housing, Bendix Drive & Rockford Model CLA-2129-1 Clutch) (4336943) (4336944) (Prior to Serial No. 10-10856 & 11-10093)	
	4338578	1	FLYWHEEL ASSY. (Incl. Item 2) (Used w/SAE #2 Housing, Dyer Drive & Rockford Model CLA-2129-1 Clutch) (4339324) (Effective w/Serial No. 10-10856 & 11-10093 f/Catalog No's. 4336943 & 4336944)	
	4338606	1	FLYWHEEL ASSY. (Incl. Item 2) (Used w/SAE #2 Housing, Dyer Drive & Spicer - 13 Inch, 2 Plate Clutch) (4336946) (4336947)	
1	4337177	1	FLYWHEEL ASSY. (Incl. Items 2 & 12) (Used w/SAE #2 Housing, Bendix Drive & Spicer - 13 Inch, 2 Plate Clutch) (4336949) (4336950) (Prior to Serial No. 10-12184 & 11-10789)	
	4338605	1	FLYWHEEL ASSY. (Incl. Item 2) (Used w/SAE #2 Housing, Dyer Drive & Spicer - 13 Inch, 2 Plate Clutch) (4339322) (Effective w/Serial No. 10-12184 & 11-10789 f/Catalog No's. 4336949 & 4336950)	
	4338660	1	FLYWHEEL ASSY. (Incl. Item 2) (Used w/SAE #2 Housing, Bendix Drive & Twin Disc 14.5 HC Coupling) (4339319) (4338476)	
	4338612	1	FLYWHEEL ASSY. (Incl. Item 2) (Used w/SAE #2 Housing, Bendix Drive & Twin Disc PTO Model SP-111 & SP-211) (4336933) (4339318)	
	4338580	1	FLYWHEEL ASSY. (Incl. Item 2) (Used w/SAE #2 Housing, Dyer Drive & Lipe Rollway Model 15ML Clutch) (4336935) (4336936)	
	4338575	1	FLYWHEEL ASSY. (Incl. Item 2) (Used w/SAE #2 Housing, Bendix Drive & Lipe Rollway Model 15ML Clutch) (4339321) (4336938) (Standard on 4336896 Engine Assy.)	
	4338615	1	FLYWHEEL ASSY. (Incl. Item 2) (Used w/SAE #2 Housing, Bendix Drive & Lipe Rollway Model 14ML Clutch) (4339320) (4338109)	
	4339048	1	FLYWHEEL ASSY. (Incl. Item 2) (Used w/SAE #2 Housing, Bendix Drive & Spicer - 14 Inch, 2 Plate Clutch) (4339047) (4339323)	

Continued

FLYWHEEL AND HOUSING (CONTINUED)
10000 & 11000
Power Unit

ITEM	PART NUMBER	QTY.	DESCRIPTION	PACKAGE NO.
1	4338617	1	FLYWHEEL ASSY. (Incl. Item 2) (Used w/SAE #1 Housing, Bendix Drive & Spicer - 14 Inch. CP Clutch) (4339311) (4338154)	
	4354460	1	FLYWHEEL ASSY. (Incl. Item 2) (Used w/SAE #1 Housing & Model 16 Gearmatic Transmission) (4354461)	
	4339244	1	FLYWHEEL ASSY. (Incl. Item 2) (Used w/SAE #1 Housing, Bendix Drive & Twin Disc C-111) (4339314) (11000 Engine Only)	
	4339245	1	FLYWHEEL ASSY. (Incl. Item 2) (Used w/SAE #1 Housing, Bendix Drive & Spicer - 14 Inch. CP Clutch) (4339316)	
	4339246	1	FLYWHEEL ASSY. (Incl. Item 2) (Used w/SAE #1 Housing, Bendix Drive & Stub Shaft) (4339317)	
	4339429	1	FLYWHEEL ASSY. (Incl. Item 2) (Used w/SAE #1 Housing, Bendix Drive & Lipe Rollway 15ML Single Plate Clutch w/#205 Pilot Bearing) (4339444) (Prior to Serial No. 10-13947 & 11-13352)	
	4358907	1	FLYWHEEL ASSY. (Incl. Item 2) (Used w/SAE #1 Housing, Bendix Drive & Lipe Rollway 15ML Single Plate Clutch w/#205 Pilot Bearing) (4339444) (Effective w/ Serial No. 10-13947 & 11-13352)	
	4339430	1	FLYWHEEL ASSY. (Incl. Item 2) (Used w/SAE #1 Housing, Bendix Drive & Lipe Rollway 15ML Single Plate Clutch w/#206 Pilot Bearing) (4339445)	
	4354607	1	FLYWHEEL ASSY. (Incl. Item 2) (Used w/SAE #1 Housing, Bendix Drive & Lipe Rollway 14ML Single Plate) (4354606)	
	4304907	1	GEAR, ring (Part of 4337177, 4337180, 4338575, 4338578, 4338605, 4338612, 4338615, 4338660 & 4339048 Flywheel Assemblies)	
2	4303694	1	GEAR, ring (Part of 4337167, 4337943, 4338581, 4338601, 4338609, 4338617, 4338619, 4339222, 4339243, 4339244, 4339245, 4339246, 4339429, 4339430, 4354460, 4354607 & 4358907 Flywheel Assemblies) (Also included in Adaptor & Housing Kits 4338095 & 4339268)	
	4341292	1	GEAR, ring (Part of 4337175, 4338544, 4338580, 4338606 & 4338613 Flywheel Assemblies)	
	4360457	1	GEAR, ring (Part of 4337168, 4338582, 4338610 & 4338620 Flywheel Assemblies)	
3	4027282	1	SLEEVE KIT, Flywheel wear	
4	4027280	1	SEAL KIT, oil, rear crankshaft (f/Initial Replacement of Engines Prior to Serial No. 10-14257 & 11-14388 also Order Item 3)	
5	4354617	1	HOUSING, Flywheel (SAE #1 Pedestal Type) (10000 & 11000 Basic Engine)	

Continued

FLYWHEEL AND HOUSING (CONTINUED)
10000 & 11000
Power Unit

ITEM	PART NUMBER	QTY.	DESCRIPTION	PACKAGE NO.
	916311	9	CAPSCREW, 1/2" NC x 1-1/4"	
	904208	9	LOCKWASHER, 1/2"	
	917021	2	PIN, dowel, 1/2" x 1"	
	920130	2	PLUG, pipe, 1/4" NPTF	
6	4379687	1	POINTER, timing (f/4354617, 4337781, 4338068 & 4354671 Housing Only)	
	915809	1	CAPSCREW, 5/16" NC x 3/4"	
	904205	1	LOCKWASHER, 5/16"	
	910335	1	WASHER, plain, 5/16"	
	4336609	1	POINTER, timing (f/4337889 Housing)	
	4337494	1	POINTER, timing (f/4337137 Housing)	
	916284	2	CAPSCREW, 1/4" NC x 1/2"	
	904204	2	LOCKWASHER, 1/4"	
	911114	2	WASHER, plain, 1/4" (f/4337137 Housing Only)	
	7	4379407	1	GASKET, cover, timing hole (4338095 & 4339268)
8	4348253	1	COVER, timing hole (10000 & 11000 Basic Engine)	
	4337405	1	COVER, timing hole (4336952)	
	4337409	1	COVER, timing hole (4336953 & 4337773)	
	4336604	1	COVER, timing hole (4339269 & 4339270)	
	916284	2	CAPSCREW, 1/4" NC x 1/2"	
	904204	2	LOCKWASHER, 1/2"	
	4338081	1	COVER, timing hole (4338086)	
	4379406	1	COVER, timing hole (4338095 & 4339268)	
	4378409	1	COVER, timing hole (4339267)	
		916278	2	CAPSCREW, 5/16" NC x 1/2" } (Qty. 4 Used w/4379406)
	904205	2	LOCKWASHER, 5/16" }	
9	4500300	2	DOWEL, flywheel to crankshaft (f/Basic Engine & other Flywheels Except three listed below) (4338095)	
	4034272	2	DOWEL, flywheel to crankshaft (Used w/4337943, 4338619 & 4339246 Flywheel Assemblies Only)	
10	4336897	1	O-RING, seal, housing to block.....	4359120
11	4338079	1	ADAPTOR, flywheel (4339268) (4338095)	
	916028	6	CAPSCREW, 1/2" NC x 1-3/4"	
	904208	6	LOCKWASHER, 1/2"	
12	4378408	1	STRIP, timing (Used w/4337167, 4337168, 4337943 Flywheel Assemblies)	
	4336621	1	STRIP, timing (Used w/4337175, 4337177, 4337180 Flywheel Assemblies)	

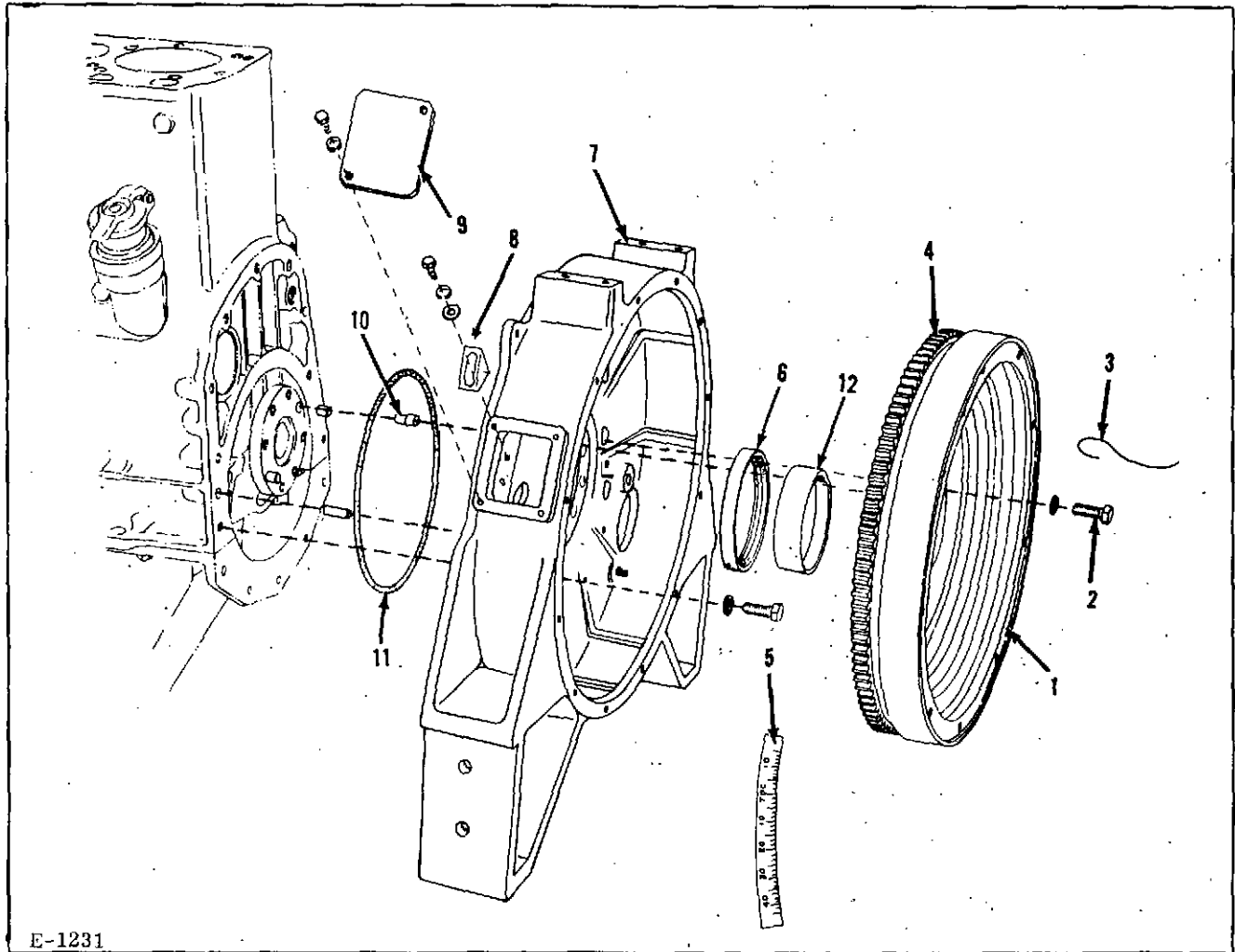
FLYWHEEL AND HOUSING (CONTINUED)
10000 & 11000
Power Unit

ITEM	PART NUMBER	QTY.	DESCRIPTION	PACKAGE NO.
13	4255343	6	CAPSCREW, flywheel (Used w/4337167, 4337175, 4337177, 4337180, 4337943, 4338544, 4338575, 4338578, 4338580, 4338601, 4338605, 4338609, 4338612, 4338613, 4338615, 4338617, 4338619, 4338660, 4339048, 4339243, 4339244, 4339245, 4339246, 4339429, 4339430, 4354460 & 4358907 Flywheel Assemblies) (LOCKWASHERS or LOCKWIRES Not Required)	
	4349628	6	CAPSCREW, flywheel (Used w/4338581, 4338582 & 4339222 Flywheel Assemblies) (Requires LOCKWIRES)	
	913249	6	CAPSCREW, 1/2" NC x 1-1/4"	} (Used w/4337168, 4338606 & 4338610 Flywheel Assemblies)
	904208	6	LOCKWASHER, 1/2"	
	916420	6	CAPSCREW, 1/2" NC x 2-1/4"	} (Used w/4338620 Flywheel Assembly)
904208	6	LOCKWASHER, 1/2"		
14	4034300	1	SHAFT, stub (Used w/4337938, 4337943, 4338619 & 4339246 Flywheel Assemblies) (4337936)	
	916420	6	CAPSCREW, 1/2" NC x 2-1/4"	
	904208	6	LOCKWASHER, 1/2"	
15	4640727	1	KEY, stub shaft (4337936)	
16	4388812	1	SPACER, flywheel housing (SAE #1 Housing) (4388812)	
17	4042910	1	ADAPTOR, flywheel housing (SAE #1 to SAE #2) (Standard on 4338040 Engine Assembly) (4335838 & 4339359)	
	916197	12	CAPSCREW, 7/16" NC x 1-1/4"	
	904207	12	LOCKWASHER, 7/16"	
18	4616160	2	LOCKWIRE	} (Used w/4338581, 4338582 & 4339222 Flywheel Assemblies)
	4305476	1	LOCKWIRE	
19	4337781	1	HOUSING, flywheel (SAE #1 Pad Type) (4338086 & 4339267) (Prior to Serial No. 10-12826 & 11-11622 f/Catalog No. 4339267)	
	4354671	1	HOUSING, flywheel (SAE #1 Pad Type) (4339267) (Effective w/Serial No. 10-12826 & 11-11622 f/Catalog No. 4339267)	
	4338068	1	HOUSING, flywheel (SAE #1 Pad Type) (Incl. Item 20) (4338095 & 4339268)	
	916311	9	CAPSCREW, 1/2" NC x 1-1/4"	
	904208	9	LOCKWASHER, 1/2"	
20	917021	2	PIN, dowel, 1/2" x 1"	
	920130	2	PLUG, pipe, 1/4" NPTF	
	4338069	1	TUBE, housing (Part of 4338068 Housing) (4338095 & 4339268)	
21	4617773	1	GASKET, cover, flexible plate (4338095 & 4339268)	
22	4379846	1	COVER, flexible plate mounting hole (4338095 & 4339268)	
	915809	2	CAPSCREW, 5/16" NC x 3/4"	
	904205	2	LOCKWASHER, 5/16"	

Continued

FLYWHEEL AND HOUSING (CONTINUED)
10000 & 11000
Power Unit

ITEM	PART NUMBER	QTY.	DESCRIPTION	PACKAGE NO.
23	-----	2	GASKET, starting motor (See STARTER) (4338095 & 4339268)	
24	4303737	1	COVER, starter pad (4336953, 4338086, 4338095, 4339267, 4339268 & 4339269)	
	921528	3	CAPSCREW, 5/8" NC x 3/4"	
	904209	3	LOCKWASHER, 5/8"	
25	4337137	1	HOUSING, flywheel (SAE #2 Arm Type) (Standard on 4336896 Engine Assembly) (4336953 & 4339269)	
	4337889	1	HOUSING, flywheel (SAE #2 Arm Type) (4337773 & 4339270)	
	916311	9	CAPSCREW, 1/2" NC x 1-1/4"	
	904208	9	LOCKWASHER, 1/2"	
	917021	2	PIN, dowel, 1/2" x 1"	
26	4337874	1	COVER, housing drain (See Note) (4337773 & 4339270)	
	916309	4	CAPSCREW, 1/2" NC x 3/4"	
	904208	4	LOCKWASHER, 1/2"	
NOTE: To seal COVER to HOUSING, use PERMATEX.				
27	4368232	6	SPACER, capscrow. (Not Required w/Stub Shaft) (4337937) (Not Illustrated)	



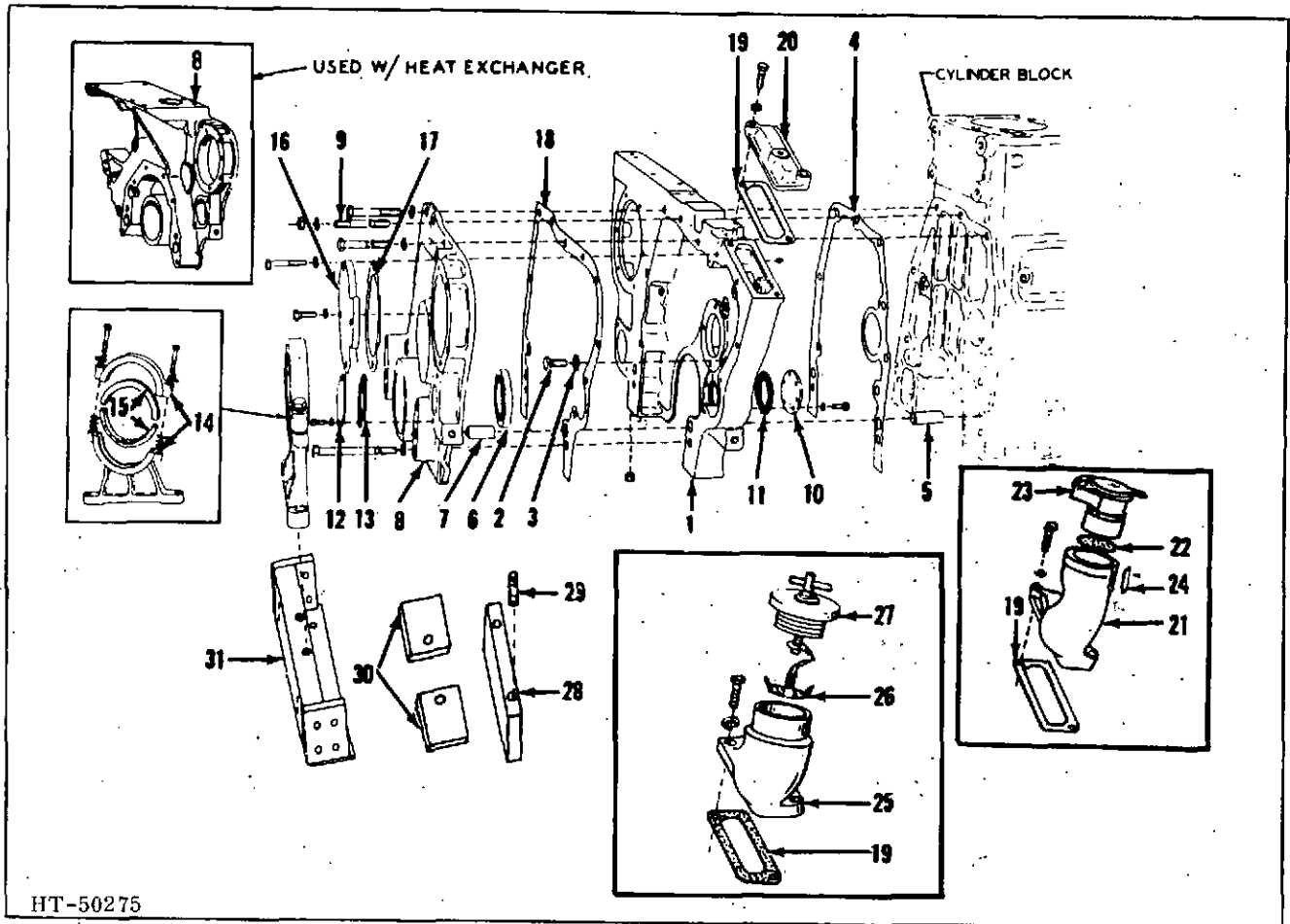
E-1231

FLYWHEEL AND HOUSING
10000 & 11000
Diesel Electric Set

ITEM	PART NUMBER	QTY.	DESCRIPTION	PACKAGE NO.
1	4338400	1	FLYWHEEL ASSY. *Incl. Items 4 & 5) (Prior to Serial No. 120957)	
	4338581	1	FLYWHEEL ASSY. (Incl. Item 4) (Effective w/Serial No. 120957)	
2	4349628	6	BOLT	
3	4616160	2	LOCKWIRE	
	4305476	1	LOCKWIRE	
4	4303694	1	GEAR, ring	
5	4378408	1	STRIP, timing (Prior to Serial No. 120957)	
6	4027280	1	SEAL KIT, oil, crankshaft rear end (Initial Replacement of Engines Prior to Serial No. 10-14257 & 11-14388 also order Item 12)	

FLYWHEEL AND HOUSING (CONTINUED)
10000 & 11000
Diesel Electric Set

ITEM	PART NUMBER	QTY.	DESCRIPTION	PACKAGE NO.
7	4354617	1	HOUSING, flywheel	
	916311	9	CAPSCREW, 1/2" NC x 1-1/4"	
	904208	9	LOCKWASHER, 1/2"	
	920130	2	PLUG, pipe, sq. head, 1/4" NPTF	
	917021	2	PIN, dowel, 1/2" x 1"	
8	4379687	1	POINTER, timing	
	915809	1	CAPSCREW, 5/16" NC x 3/4"	
	904205	1	LOCKWASHER, 5/16"	
	910335	1	WASHER, plain, 5/16"	
9	4337405	1	COVER ASSY., timing hole	
	916284	2	CAPSCREW, 1/4" NC x 1/2"	
	904204	2	LOCKWASHER, 1/4"	
10	4500300	2	DOWEL, flywheel to crankshaft	
11	4336897	1	RING, sealing, housing to block	4359120
12	4027282	1	SLEEVE KIT, wear, flywheel (Effective w/Serial No. 10-14257 & 11-14388)	



HT-50275

TIMING GEAR HOUSING
10000 & 11000

Power Unit & Diesel Electric Set
(Used W/Bosch Fuel Injection System)

* Standard

** Used W/Heat Exchanger (4338083 & 4430787)

ITEM	NUMBER	QTY.		DESCRIPTION	PACKAGE NO.
		*	**		
1	4337228	1	1	HOUSING, timing gear	
	919134	1	.1	PLUG, pipe, hex. head, 1/8"	
	920416	1	2	PLUG, pipe, hex. head, 1/2"	
	917970	1	1	PLUG, pipe, ctsk. head, 1/2"	
	916873	1	1	COCK, drain, 3/8"	
2	4004054	3	3	CAPSCREW, gear housing	
3	4253490	3	3	LOCKWASHER	
4	4348136	1	1	GASKET, timing gear housing	4359120
5	4346246	2	2	PIN, dowel, timing gear housing	
6	4027416	1	1	SEAL KIT, oil, crankshaft	
7	4348107	2	2	PIN, dowel, timing gear cover	
8	4337281	1	-	COVER ASSY., timing gear housing (Incl. Item 7)	
	904283	3	-	CAPSCREW, 1/2" NC x 3"	
	903782	1	-	CAPSCREW, 1/2" NC x 3-1/2"	

Continued

TIMING GEAR HOUSING (CONTINUED)

10000 & 11000

Power Unit & Diesel Electric Set
(Used W/Bosch Fuel Injection System)

* Standard

** Used W/Heat Exchanger (4338083 & 4430787)

ITEM	PART NUMBER	QTY. * **	DESCRIPTION	PACKAGE NO.
8	910257	1 -	CAPSCREW, 1/2" NC x 4-3/4"	
	921299	1 -	CAPSCREW, 1/2" NC x 4"	
	915635	3 -	CAPSCREW, 3/8" NC x 1-7/8"	
	904281	2 -	CAPSCREW, 3/8" NC x 2-1/4"	
	904208	6 -	LOCKWASHER, 1/2"	
	904206	5 -	LOCKWASHER, 3/8"	
	4337270	- 1	COVER ASSY., timing gear housing (Incl. SLEEVE & Item 7)	
	903782	- 1	CAPSCREW, 1/2" NC x 3-1/2"	
	905669	- 3	CAPSCREW, 1/2" NC x 4-1/2"	
	918353	- 1	CAPSCREW, 1/2" NC x 5-1/4"	
	915635	- 3	CAPSCREW, 3/8" NC x 1-7/8"	
	903629	- 3	CAPSCREW, 3/8" NC x 2-1/4"	
	904208	- 5	LOCKWASHER, 1/2"	
	904206	- 6	LOCKWASHER, 3/8"	
9	4335371	1 -	STUD, timing gear housing	
	4611458	- 1	STUD, timing gear housing	
	904208	1 1	LOCKWASHER, 1/2"	
	910195	1 1	NUT, 1/2" NF	
10	4336346	1 1	COVER, housing (Mounting Hole)	
	905661	6 6	CAPSCREW, 5/16" NC x 5/8"	
	917330	6 6	WASHER, plain, copper, 5/16"	
11	4336345	1 1	GASKET, cover (Mounting Hole).....	4359120
12	4335711	1 1	PLATE, timing gear cover	
13	4335712	1 1	GASKET, gear cover.....	4359120
14	4335067	1 -	BRACKET, engine front support (Incl. CAP)	
	4364865	- 1	BRACKET, engine front support (Incl. CAP)	
	916009	10 10	WASHER, shimming, 1/32"	
	4254891	2 2	CAPSCREW	
	4335550	2 2	LOCKWASHER	
15	4336491	2 2	LINER, bracket, front support	
16	4348310	1 1	PLATE, cover, injection pump driving gear	
	916269	4 4	CAPSCREW, 3/8" NC x 7/8"	
	904206	4 4	LOCKWASHER, 3/8"	
17	4349011	1 1	GASKET, cover plate.....	4359120
18	4348126	1 1	GASKET, housing cover, timing gear.....	4359120
19	4347120	1 1	GASKET, timing hole cover.....	4359120
20	4336524	1 1	COVER, timing hole (Standard)	
	910245	1 1	CAPSCREW, 3/8" NC x 1-3/8"	

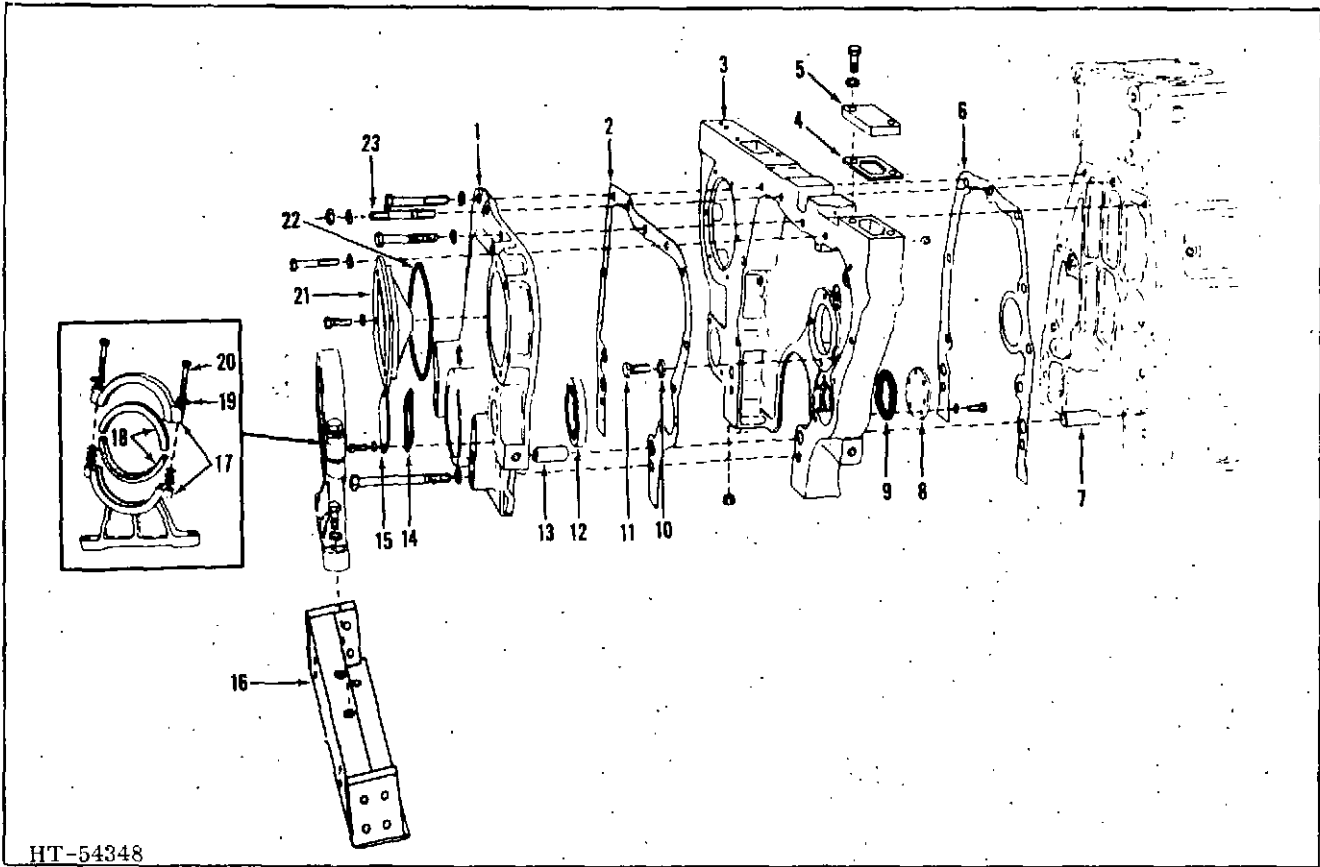
TIMING GEAR HOUSING (CONTINUED)

10000 & 11000

Power Unit & Diesel Electric Set
(Used W/Bosch Fuel Injection System)

* Standard
** Used w/Heat Exchanger (4338083 & 4430784)

ITEM	PART NUMBER	QTY.		DESCRIPTION	PACKAGE NO.
		*	**		
	914499	1	1	CAPSCREW, 3/8" NC x 1-5/8"	
	904206	2	2	LOCKWASHER, 3/8"	
21	4338049	1	-	COVER ASSY., oil filler & timing hole (Prior to Serial No. 10-10799 & 11-10080) (Incl. COVER PIPE & Items 22, 23 & 24) (For 11000 Off-Highway Only) (4338395)	
	4349303	1	-	PIPE, cover, oil filler & timing hole (Prior to Serial No. 10-10799 & 11-10080)	
	910245	2	-	CAPSCREW, 3/8" NC x 1-3/8"	
	904206	2	-	LOCKWASHER, 3/8"	
22	4335022	1	-	STRAINER, oil filler (Prior to Serial No. 10-10799 & 11-10080)	
23	4366461	1	-	CAP ASSY., oil filler (Serviced only as a unit) (Prior to Serial No. 10-10799 & 11-10080)	
24	4379141	1	-	PLATE, oil data (Prior to Serial No. 10-10799 & 11-10080)	
	904516	4	-	SCREW, drive, #6 x 1/4"	
25	4338678	1	1	COVER ASSY., oil filler (4338395) (Effective w/ Serial No. 10-10799 & 11-10080)	
26	-----	1	1	CHAIN & STRAINER ASSY. (Not Serviced - Order Item 27)	
27	4386863	1	1	CLOSURE ASSY., oil filler (4338395) (Incl. Item 20) (Effective w/Serial No. 10-10799 & 11-10080)	
28	4337959	-	1	SPACER	
	913827	-	2	CAPSCREW, 5/8" NC x 1-1/4"	
	904209	-	2	LOCKWASHER, 5/8"	
29	4641273	-	2	STUD, spacer	
	904209	-	2	LOCKWASHER, 5/8"	
	910124	-	2	NUT, 5/8" NC	
30	4430615	1	1	SHIM, engine (Standard on Diesel Electric Set)	
31	4335773	1	1	SUPPORT, front, engine (4335774, 4338271 & 4338272)	
	905819	2	2	CAPSCREW, 5/8" NC x 2-1/4"	
	904209	2	2	LOCKWASHER, 5/8"	
	910308	2	2	NUT, 5/8" NC	



HT-54348

TIMING GEAR HOUSING AND COVER
 10000 & 11000
 Power Unit & Diesel Electric Set
 (Used W/Roosa Fuel Injection System)

ITEM	PART NUMBER	QTY.	DESCRIPTION	PACKAGE NO.	
1	4338763	1	COVER ASSY., timing gear (Incl. Item 13) (Prior to Serial No. 10-13927 & 11-12822)		
	919224	3	CAPSCREW, 3/8" NC x 1-1/8"		
	904206	3	LOCKWASHER, 3/8"		
	4357409	1	COVER ASSY., timing gear (Incl. Item 13) (Effective w/Serial No. 10-13927 & 11-12822)		
	916271	2	CAPSCREW, 3/8" NC x 1"		
	919287	2	CAPSCREW, 3/8" NC x 1-7/8"		
	904206	4	LOCKWASHER, 3/8"		
	915969	3	CAPSCREW, 1/2" NC x 3"		
	916319	1	CAPSCREW, 1/2" NC x 3-1/2"		
	921299	1	CAPSCREW, 1/2" NC x 4"		
	919232	1	CAPSCREW, 1/2" NC x 4-3/4"		
	904208	6	LOCKWASHER, 1/2"		
	2	4354163	1	GASKET, timing cover	4359120
	3	4339524	1	HOUSING, timing gear (Prior to Serial No. 10-13927 & 11-12822)	
916873		1	COCK, drain, 3/8" NPTF		
917970		2	PLUG, pipe. 3/8" NPTF		

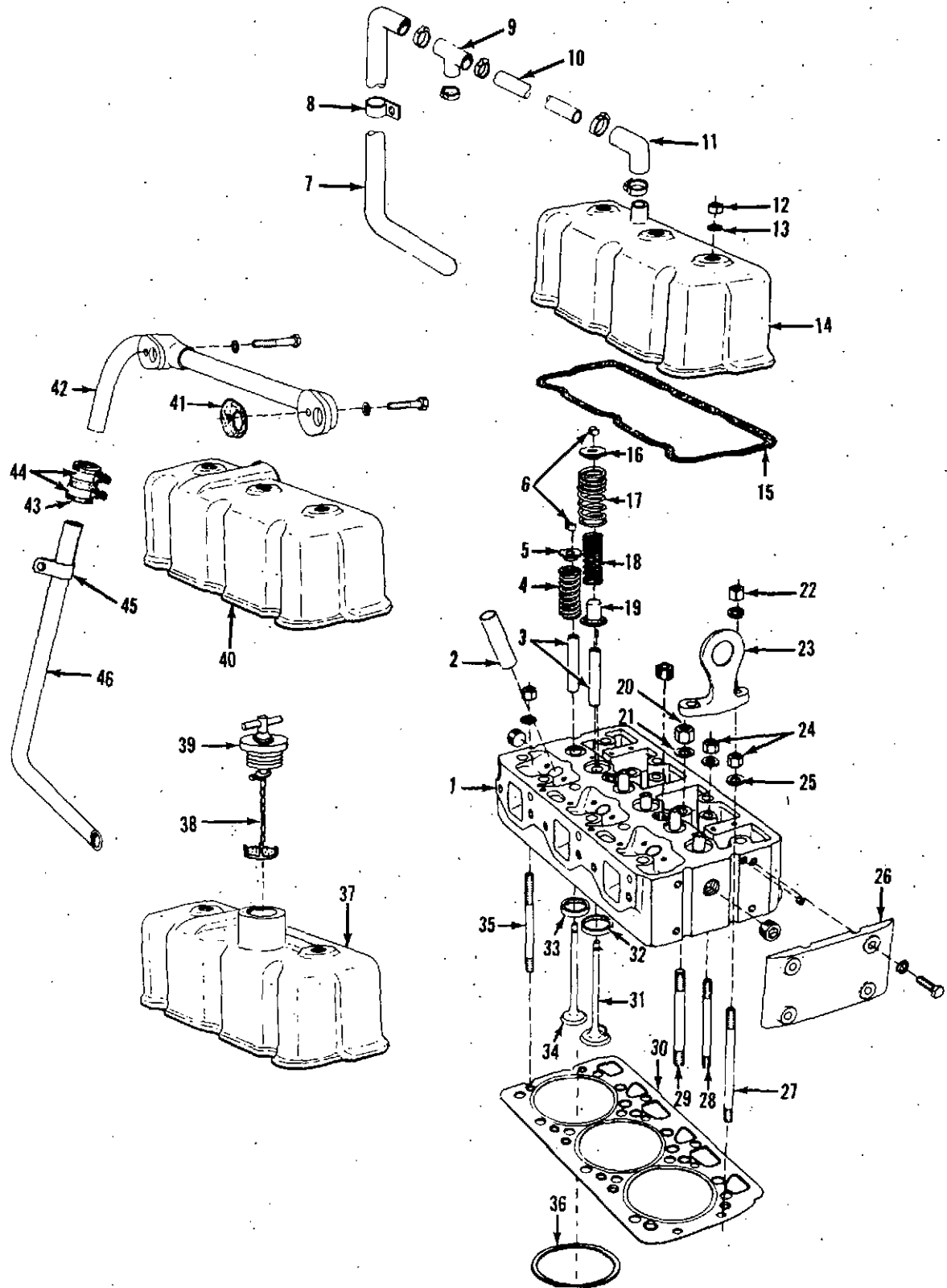
TIMING GEAR HOUSING AND COVER (CONTINUED)
 10000 & 11000
 Power Unit & Diesel Electric Set
 (Used w/Roosa Fuel Injection System)

ITEM	PART NUMBER	QTY.	DESCRIPTION	PACKAGE NO.
3	4357407	1	HOUSING, timing gear (Effective w/Serial No. 10-13927 thru 10-14088, 11-12822 thru 11-14072 f/11000 Power Unit except 11-13979 & 11-12822 thru 11-13088 f/11000 Diesel Electric Set)	
	4339656	1	HOUSING, timing gear (Effective w/Serial No. 10-14089 & 11-14073 f/11000 Power Unit including 11-13979 & 11-13089 f/11000 Diesel Electric Set)	
	916873	1	COCK, drain, 3/8" NPTF	} (f/4357407 & 4339656 Housing)
	919134	2	PLUG, pipe, 1/8" NPTF	
	920333	1	PLUG, pipe, 3/8" NPTF	
917970	1	PLUG, pipe, 1/2" NPTF		
	4359183	4	SETSCREW, hole plugging (Striplok)	
4	4354304	1	GASKET, cover.....	4359120
5	4354305	1	COVER, plate, oil filler	
	916269	2	CAPSCREW, 3/8" NC x 7/8"	
	904206	2	LOCKWASHER, 3/8"	
6	4348136	1	GASKET, timing gear housing.....	4359120
7	4366246	2	PIN, dowel, timing gear housing	
8	4354414	1	COVER, hydraulic pump hole	
	916277	2	CAPSCREW, 5/16" NC x 5/8"	
	917330	2	WASHER, plain, 5/16"	
9	4354415	1	GASKET, cover	
10	4253490	3	LOCKWASHER	
11	4004054	3	CAPSCREW, gear housing	
12	4026447	1	SEAL, oil. crankshaft	
13	4348107	1	PIN, dowel, timing gear cover	
14	4335712	1	GASKET, cover.....	4359120
15	4335711	1	COVER, tachometer hole	
	916274	2	CAPSCREW, 3/8" NC x 2-1/4"	
	904206	2	LOCKWASHER, 3/8"	
16	4335773	1	SUPPORT, front engine (4335774, 4338271 & 4338272)	
	915963	2	CAPSCREW, 5/8" NC x 2-1/4"	
	904209	2	LOCKWASHER, 5/8"	
	910308	2	NUT, 5/8" NC	
17	4335067	1	BRACKET, support. engine front (Incl. CAP)	
	916009	10	WASHER, .035" thick (f/Shimming - Use as Required)	
18	4336491	2	LINER, bracket	
19	4335550	2	LOCKWASHER, capscrow	

TIMING GEAR HOUSING AND COVER (CONTINUED)
 10000 & 11000
 Power Unit & Diesel Electric Set
 (Used W/Roosa Fuel Injection System)

ITEM	PART NUMBER	QTY.	DESCRIPTION	PACKAGE NO.
20	4254891	2	CAPSCREW, cap retaining	
21	4354306	1	COVER, auxiliary drive hole	
	916271	4	CAPSCREW, 3/8" NC x 1"	
	904206	4	LOCKWASHER, 3/8"	
22	923820	1	O-RING, cover, 3-1/8" ID	
23	4335371	1	STUD, timing gear housing	
	904208	1	LOCKWASHER, 1/2"	
	910195	1	NUT, 1/2" NF.	

MEMO



E-1355

CYLINDER HEAD

CYLINDER HEAD

* 10000 Power Unit & Diesel Electric Set
 ** 11000 Power Unit & Diesel Electric Set

ITEM	PART NUMBER	QTY	DESCRIPTION	PACKAGE NO.
1	4339548	2	- HEAD ASSY., cylinder (Incl. Items 2, 3, 32, 33 & HARDWARE indented below)	
	4359072	- 2	HEAD ASSY., cylinder (Incl. Items 2, 3, 32, 33 & HARDWARE indented below) (F/initial replacement on 11000 Engines prior to Serial No. 11-14193 also order six each of 4359116 & 4359117 KITS)	
	917673	4	4 PLUG, pipe, 1/8" NPTF	
	920340	8	8 PLUG, pipe, 3/4" NPTF	
	917560	6	6 PIN, dowel, 3/16" x 3/8"	
2	4336157	6	6 SLEEVE, injection nozzle	
3	4336586	12	12 GUIDE, valve stem	
4	4336131	6	6 SPRING, exhaust valve	
5	4343799	6	6 RETAINER, exhaust valve spring	
6	4376497	24	24 LOCK, valve spring retainer (half only)	
7	4358971	1	1 TUBE, trail, breather	} (Effective w/ Serial No. 10-14164 & 11-14271)
	921912	1	1 CLAMP, 1-17/32"	
8	4025914	1	1 CLIP, tube support	
	915408	1	1 CAPSCREW, 3/8" NC x 3/4"	
	911993	1	1 WASHER, plain, 3/8"	
	904206	1	1 LOCKWASHER, 3/8"	
9	4357736	1	1 TEE, tube connection (rubber)	
	921912	1	1 CLAMP, 1-17/32"	
10	4357775	1	1 TUBE, breather, engine	
	921912	2	2 CLAMP, 1-17/32"	
11	4357735	1	1 ELBOW, breather (rubber) (Effective w/Serial No. 10-14164 & 11-14271)	
	921912	1	1 CLAMP, 1-17/32"	
12	4375937	6	6 NUT, rocker cover	
13	4376749	6	6 WASHER, sealing, cover nut	
14	4357732	2	2 COVER, rocker (Effective w/Serial No. 10-14164 & 11-14271)	
15	4336148	2	2 GASKET, rocker cover	4354291
16	4336153	6	6 RETAINER, intake valve spring	
17	4336129	6	6 SPRING, intake valve (outer)	
18	4336130	6	6 SPRING, intake valve (inner)	
19	4336758	6	6 LOCATOR, intake valve	

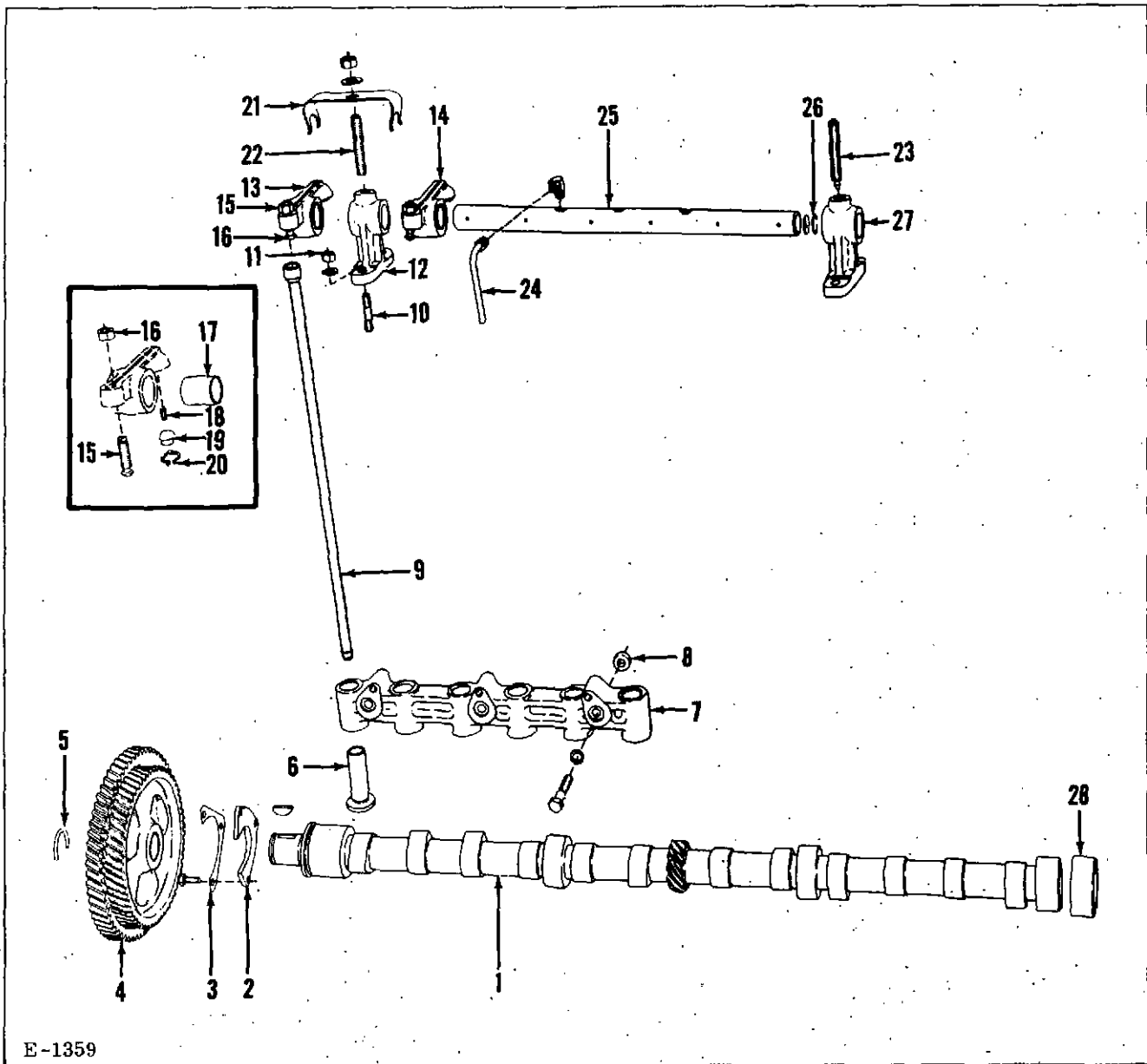
CYLINDER HEAD (CONTINUED)
 * 10000 Power Unit & Diesel Electric Set
 ** 11000 Power Unit & Diesel Electric Set

ITEM	PART NUMBER	QTY	DESCRIPTION	PACKAGE NO.
20	4388202	20 20	NUT, cylinder head stud	
	4354407	4 4	NUT, cylinder head stud (Nylok)	
21	4354490	24 24	WASHER, cylinder head nut	
22	4388205	4 4	NUT, lifting eye	} (4336973)
	904208	4 4	LOCKWASHER, 1/2"	
23	4347619	2 2	EYE, engine lifting (front & rear)	
24	4388205	10 10	NUT, cylinder head stud	
25	4372864	10 10	WASHER, cylinder head nut	
26	4336178	2 2	PLATE, end	
	916191	8 8	CAPSCREW, 7/16" NC x 1-1/2"	
	904207	8 8	LOCKWASHER, 7/16"	
27	4339497	2 2	STUD, cylinder head	
28	4339498	4 4	STUD, cylinder head	
29	4339505	24 24	STUD, cylinder head	
30	4354294	1 1	GASKET ASSY., cylinder head (front) (Incl. 3 Fire Ring Gaskets - Item 36)	4354291
	4354295	1 1	GASKET ASSY., cylinder head (rear) (Incl. 3 Fire Ring Gaskets - Item 36)	4354291
31	4336127	6 -	VALVE, intake (45°)	
	4359116	- 6	VALVE KIT, intake (30°) (Prior to Serial No. 11-14193 also order 4359112 INSERT KIT)	
32	4336418	6 -	INSERT, intake valve seat (45°)	} (Prior to Serial No. 10-11912 & 11-10371)
	4336601	* -	INSERT, intake valve seat (45°) (.005" Oversize)	
	4339546	6 -	INSERT, intake valve seat (45°)	} (Effective w/ Serial No. 10-11912 & 11-10371)
	4339624	* -	INSERT, intake valve seat (45°) (.005" Oversize)	
	4359112	- 6	INSERT KIT, intake valve seat (30°)	} (Prior to
4359113	- *	INSERT KIT, intake valve seat (30°) (.005" Oversize) Serial No. 11-14193 also order 4359116 VALVE KIT)		
33	4336419	6 -	INSERT, exhaust valve seat (45°)	} (Prior to Serial No. 10-11912 & 11-10371)
	4336602	* -	INSERT, exhaust valve seat (45°) (.005" Oversize)	
	4339547	6 -	INSERT, exhaust valve seat (45°)	} (Effective w/ Serial No. 10-11912 & 11-10371)
	4339625	* -	INSERT, exhaust valve seat (45°) (.005" Oversize)	

* (Use as Required)

CYLINDER HEAD (CONTINUED)
 * 10000 Power Unit & Diesel Electric Set
 ** 11000 Power Unit & Diesel Electric Set

ITEM	PART NUMBER	QTY * **	DESCRIPTION	PACKAGE NO.
33	4359114	- 6	INSERT KIT, exhaust valve seat (30°)	} (Prior to
	4359115	- *	INSERT KIT, exhaust valve seat (30°) (.005" Oversize) Serial No. 11-14193 also order 4359117 VALVE KIT)	
34	4336128	6 -	VALVE, exhaust (45°)	}
	4359117	- 6	VALVE KIT, exhaust (30°) (Prior to Serial No. 11-14193 also order 4359114 INSERT KIT)	
35	4339499	4 4	STUD, cylinder head	
36	4339848	6 6	GASKET, fire ring	4354291
37	4339174	1 1	COVER, rocker (4339177 & 4339330)	
38	-----	1 1	CHAIN & STRAINER ASSY., (Not Serviced - Order Item 39)	}
	921717	1 1	PIN, roll, 3/32" x 7/16"	
39	4354492	1 -	CLOSURE ASSY., oil filler (Incl. Item 38)	}
	4354449	- 1	CLOSURE ASSY., oil filler (Incl. Item 38) (4339177 & 4339330)	
40	4336146	2 2	COVER, rocker	
41	4348133	2 2	GASKET, breather tube	4354291
42	4336855	1 1	TUBE, breather, upper section	}
	916273	1 1	CAPSCREW, 3/8" NC x 1-3/4"	
	915990	1 1	CAPSCREW, 3/8" NC x 2-3/4"	
	904206	2 2	LOCKWASHER, 3/8"	
43	4347924	1 1	HOSE, trailer tube	
44	4253453	2 2	CLAMP, hose	
45	4336859	1 1	CLIP, trailer tube (F/Power Unit)	} (Prior to Serial No. 10-14164 & 11-14271)
	4253771	- 1	CLIP, trailer tube (F/DES Effective w/Serial No. 11-10288)	
	915408	1 1	CAPSCREW, 3/8" NC x 3/4"	
	919225	1 1	CAPSCREW, 3/8" NC x 1-3/8" (4339271)	
	911993	1 1	WASHER, plain, 7/16"	
46	904206	1 1	LOCKWASHER, 3/8"	}
	4336857	1 1	TUBE, trailer, lower section (F/Power Unit)	
	4431086	- 1	TUBE, trailer, lower section (F/DES Effective w/Serial No. 11-10288)	



E-1359

VALVE OPERATING MECHANISM
10000 & 11000
Power Unit & Diesel Electric Set

ITEM	PART NUMBER	QTY.	DESCRIPTION	PACKAGE NO.
1	4337723	1	CAMSHAFT	
	905126	1	KEY, #5	
2	4349257	1	COLLAR, camshaft thrust	
	916277	3	CAPSCREW, 5/16" NC x 5/8"	
3	4025391	1	PLATE, capscrew locking	
4	4338330	1	GEAR, camshaft (Prior to Serial No. 10-13927 & 11-12822) (F/Engines w/Roosa Fuel Injection Pump)	
	4339659	1	GEAR, camshaft (Effective w/Serial No. 10-13927 & 11-12822) (F/Engines w/Roosa Fuel Injection Pump)	

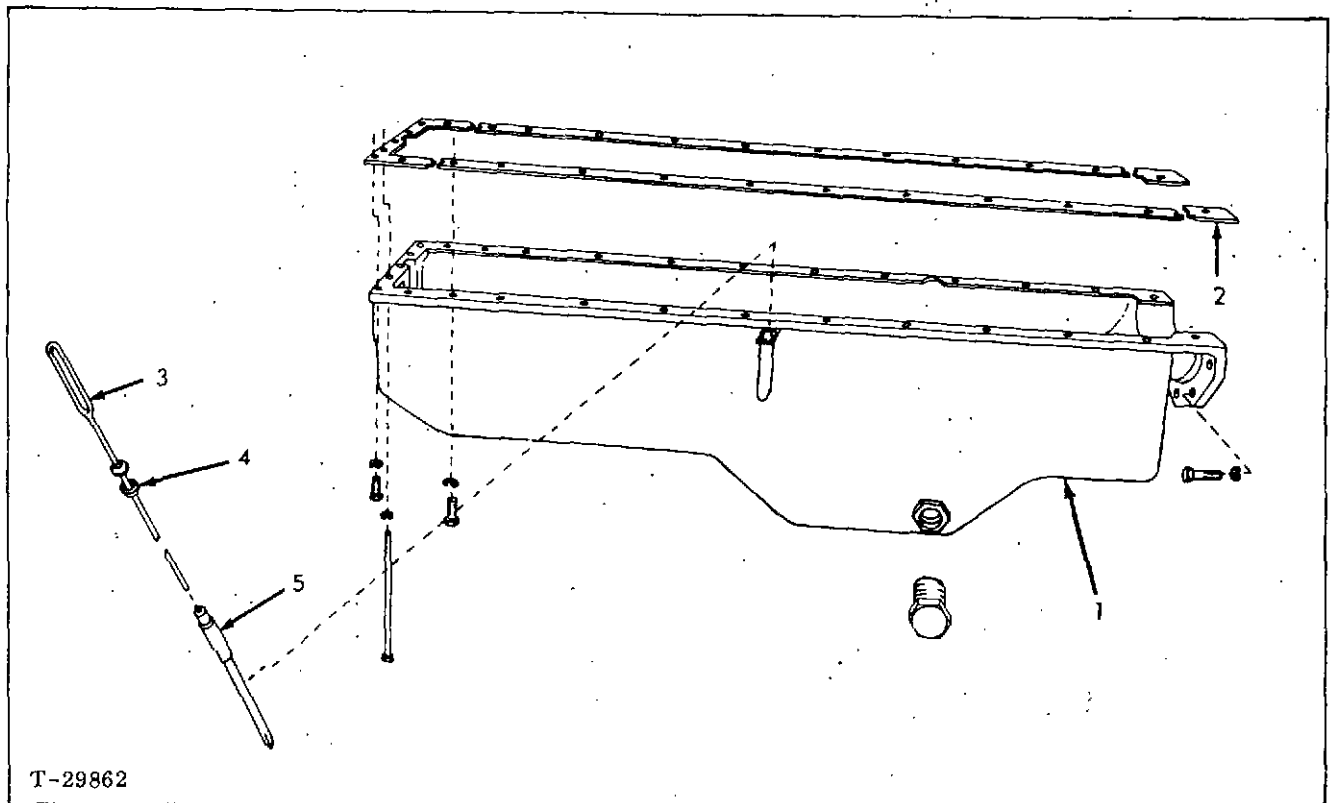
VALVE OPERATING MECHANISM (CONTINUED)
10000 & 11000
Power Unit & Diesel Electric Set

ITEM	PART NUMBER	QTY.	DESCRIPTION	PACKAGE NO.
4	4346206	1	GEAR, camshaft (f/10000 Engine - Prior to Serial No. 117262) (Used on Engine Assy. 4336885, 4336890, 4338040 & 4336895)	
	4337045	1	GEAR, camshaft (f/11000 Engine) (Effective on 10000 Engine w/Serial No. 117262) (Used on Engine Assy. 4338040, 4336895, 4336885 & 4336890) (f/Engines w/Bosch Fuel Injection Pump)	
5	4346307	1	RING, snap, gear retaining	
6	4338299	12	LIFTER, valve	
7	4347511	2	BRACKET, valve lifter	
	919287	6	CAPSCREW, 3/8" NC x 1-7/8"	
	904206	6	LOCKWASHER, 3/8"	
8	4347832	4	DOWEL, hollow, valve lifter bracket	
9	4336234	12	ROD, push	
10	4506946	12	STUD, rocker shaft bracket	
	904206	12	LOCKWASHER, 3/8"	
11	4348440	12	NUT, heat-treated	
12	4336143	4	BRACKET, rocker shaft, end	
13	4358989	6	ARM ASSY., rocker, intake valve (Incl. Items 15 & 16)	
14	4358988	6	ARM ASSY., rocker, exhaust valve (Incl. Items 15 & 16)	
15	4336646	12	SCREW, valve lash adjustment	
16	4348440	12	NUT, valve lash adjustment screw	
17	4660369	12	BUSHING, rocker arm (Prior to Serial No. 10-13955 & 11-13409)	
18	4364422	12	WICK, oiling, rocker ball	} (Prior to Serial No. 10-14585 & 11-14898)
19	4379305	12	BALL, rocker arm	
20	4385480	12	RING, snap, rocker arm ball	
21	4338143	6	CLIP, spring, rocker arm retaining	
	910919	6	WASHER, plain, 7/16"	
	910986	6	NUT, 7/16" NC	
22	4348129	4	STUD, rocker cover (2-5/8" long)	
23	4348130	2	SCREW, rocker shaft retaining (3" long - dog-pt.)	
24	4349157	2	TUBE ASSY., rocker shaft overflow (Incl. NUT)	
	913039	2	ELBOW, inverter flare, 90°, 1/8" PT x 1/4" OD tube	
	913536	1	NUT, 1/4" OD tube	
25	4336145	2	SHAFT ASSY., rocker arm (Incl. 910002 PLUGS & Item 28)	
	910002	4	PLUG, expansion, 3/4"	

Continued

VALVE OPERATING MECHANISM (CONTINUED)
10000 & 11000
Power Unit & Diesel Electric Set

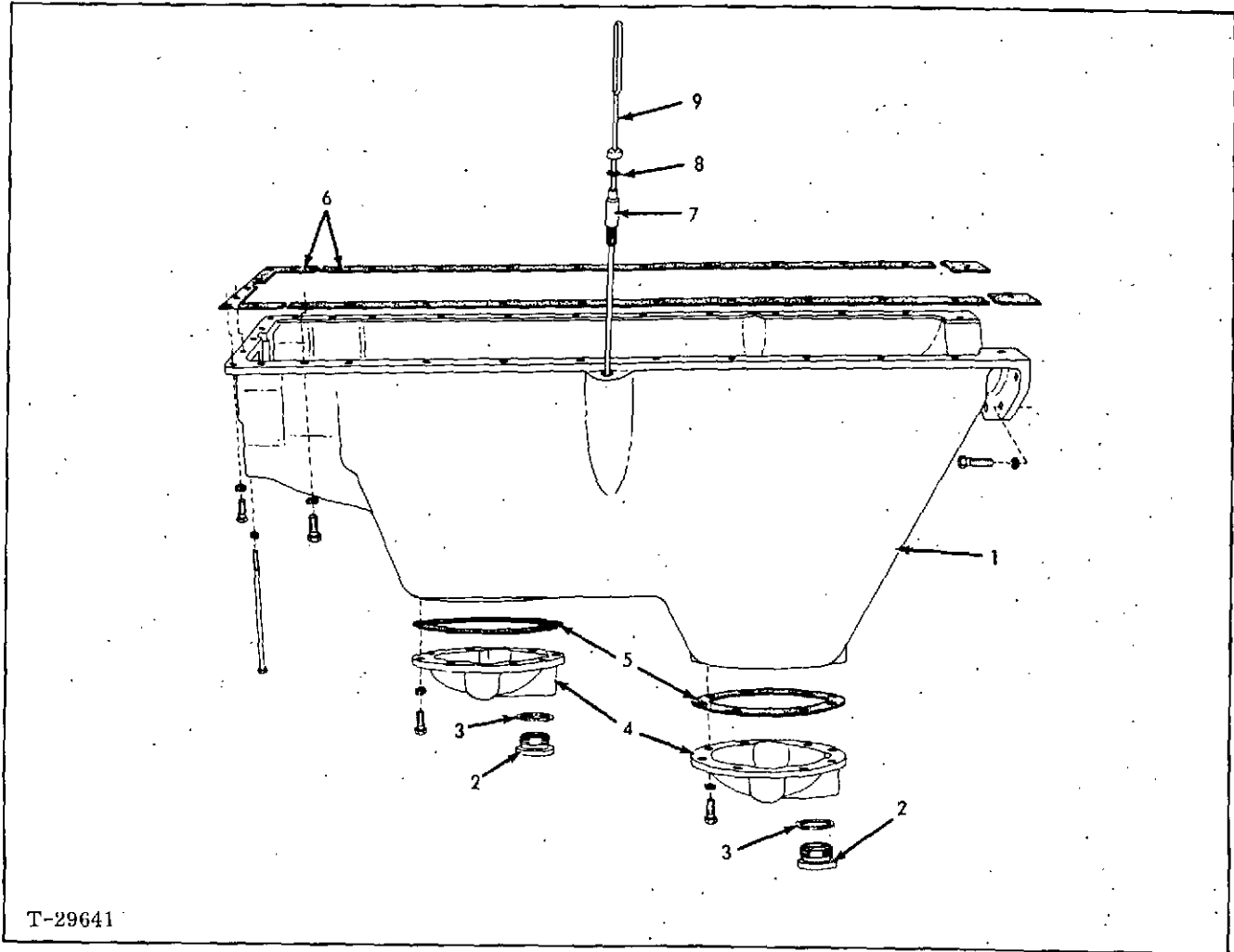
ITEM	PART NUMBER	QTY.	DESCRIPTION	PACKAGE NO.
26	4254363	4	RING, snap, rocker shaft	
27	4336142	2	BRACKET, rocker shaft, center	
28	-----	-	BEARING, camshaft (See CYLINDER BLOCK)	



T-29862

OIL PAN
10000 & 11000
Power Unit & Diesel Electric Set

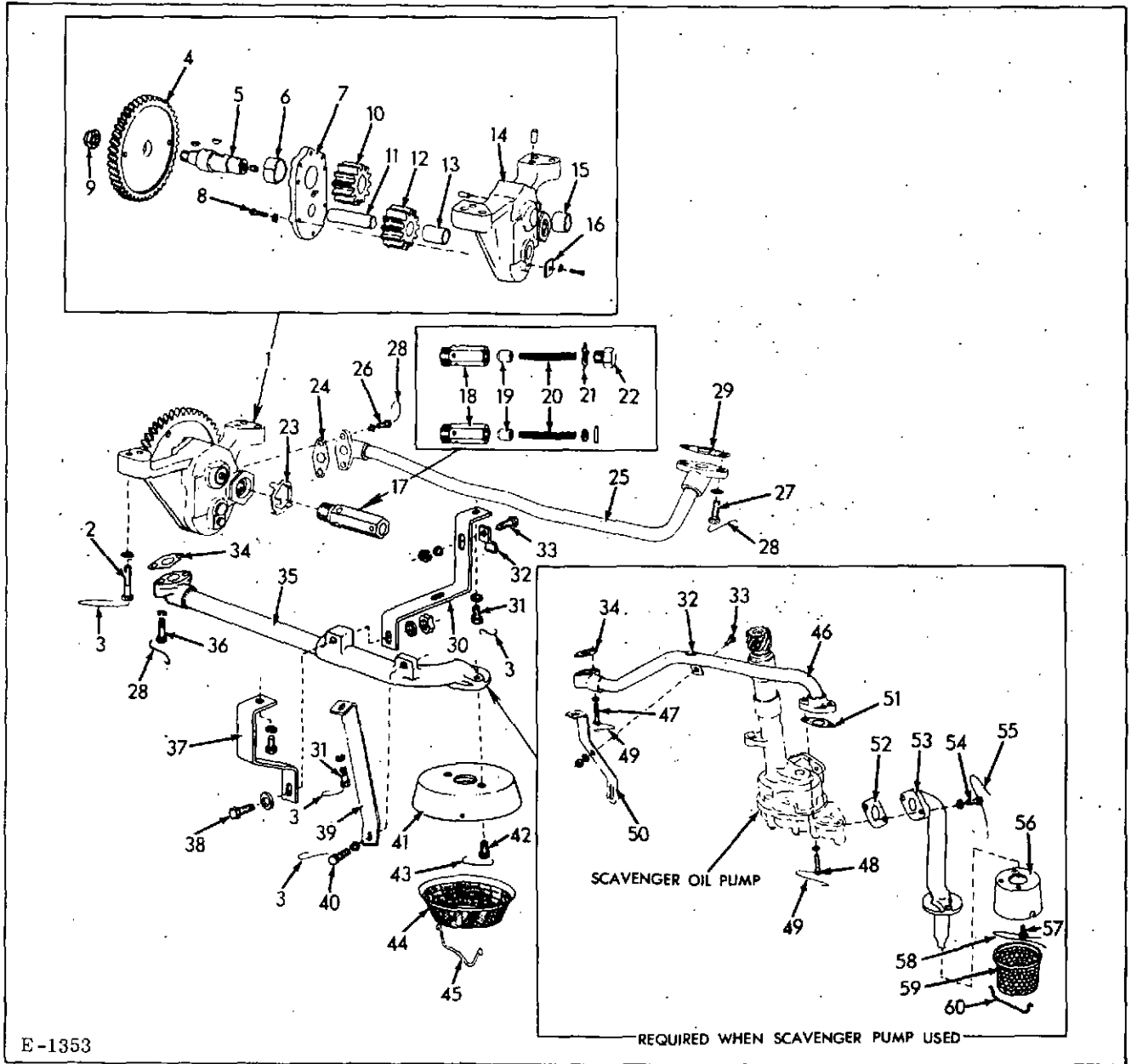
ITEM	PART NUMBER	QTY.	DESCRIPTION	PACKAGE NO.
1	4336406	1	PAN, oil (Standard)	(F/all PANS)
	4339742	1	PAN, oil, R.H. oil level gauge (4339743)	
	4338407	1	PAN, oil, R.H. oil level gauge (4338406)	
	4339156	1	PAN, oil, L.H. oil level gauge (4339168)	
	4255916	5	CAPSCREW, Striplok, 3/8" NC x 1" (rear)	
	919224	24	CAPSCREW, 3/8" NC x 1-1/8"	
	914392	2	CAPSCREW, 5/16" NC x 1"	
	919787	3	CAPSCREW, 5/16" NC x 6-1/2"	
	904206	24	LOCKWASHER, 3/8"	
	904205	5	LOCKWASHER, 5/16"	
921073	1	PLUG, pipe, hex. hd., 1"		
2	4347543	1	GASKET SET, oil pan (5 pieces)	
3	4339155	1	GAUGE, oil level (4339168)	
	4337071	1	GAUGE, oil level (Standard)	
	4338409	1	GAUGE, oil level (4338406)	
4	4506607	1	SEAL, oil level gauge	
5	4349037	1	ADAPTOR, oil level gauge	
6	4362338	1	PLUG, gauge hole (4339743) (Not Illustrated)	



T-29641

OIL PAN (4336978)
 10000 & 11000
 Power Unit
 (For 16° to 45° Angle Operation)

ITEM	PART NUMBER	QTY.	DESCRIPTION	PACKAGE NO.
1	4337466	1	PAN, oil (Deep Sump)	
	919224	29	CAPSCREW, 3/8" NC x 1-1/8"	
	914392	2	CAPSCREW, 5/16" NC x 1"	
	919787	3	CAPSCREW, 5/16" NC x 6-1/2"	
	904206	29	LOCKWASHER, 3/8"	
	904205	5	LOCKWASHER, 5/16"	
2	035250	2	PLUG, oil drain	
3	035249	2	GASKET, oil drain plug	4359120
4	4373770	2	COVER, clean-out	
	916271	16	CAPSCREW, 3/8" NC x 1"	
	904206	16	LOCKWASHER, 3/8"	
5	4373069	2	GASKET, clean-out cover	4359120
6	4347543	1	GASKET SET, oil pan (5 pieces)	
7	4349037	1	ADAPTOR, oil level gauge	
8	4506607	1	SEAL, oil level gauge	
9	4336872	1	GAUGE, oil level	



E-1353

OIL PUMP
10000 & 11000
Power Unit & Diesel Electric Set

ITEM	PART NUMBER	QTY.	DESCRIPTION	PACKAGE NO.
1	4348886	1	PUMP ASSY., oil (Incl. Items 4 thru 16) (Prior to Serial No. 117262)	
	4359056	1	PUMP ASSY., oil (Incl. Items 4 thru 16) (Effective w/Serial No. 117262)	
2	4348692	4	CAPSCREW, drilled head	
	904206	4	LOCKWASHER, 3/8"	
3	4509035	2	WIRE, locking	

Continued

OIL PUMP (CONTINUED)
10000 & 11000
Power Unit & Diesel Electric Set

ITEM	PART NUMBER	QTY.	DESCRIPTION	PACKAGE NO.
4	4348352	1	GEAR, driving (f/10000 Engine - Prior to Serial No. 117262)	
	4337047	1	GEAR, driving (f/10000 Engine - Effective w/Serial No. 117262)	
5	4348894	1	SHAFT, upper	
	910224	2	KEY, woodruff, 5/32" x 5/8"	
	912840	1	NUT, slotted, 5/8" NF	} (Prior to Serial No. 10-14035 & 11-13856)
	900807	1	PIN, cotter, 1/8" x 1-1/4"	
	910231	1	PLUG, pipe, hex. socket, 1/8" NPT	
6	4347659	1	BUSHING, pump cover	
7	4348044	1	COVER ASSY., (Incl. Item 6)	
8	916282	6	CAPSCREW, 1/4" NC x 7/8"	
	904204	6	LOCKWASHER, 1/4"	
9	4254977	1	NUT, conelok, gear retaining (Effective w/Serial No. 10-14035 & 11-13856)	
10	4348883	1	GEAR, upper	
11	4348038	1	SHAFT, lower	
12	4348891	1	GEAR ASSY., lower (Incl. Item 13)	
13	4348083	1	BUSHING, lower gear	
14	4348885	1	HOUSING ASSY., (Incl. Item 15 & DOWEL PINS indented below)	
	917546	2	PIN, dowel, 3/8" x 5/8"	
	917554	1	PIN, dowel, 1/4" x 1/2"	
15	4348303	1	BUSHING, pump housing	
16	4348020	1	RETAINER, lower shaft	
	916284	1	CAPSCREW, 1/4" NC x 1/2"	
	904204	1	LOCKWASHER, 1/4"	
17	4354573	1	VALVE ASSY., oil pressure relief (Incl. Items 18 thru 20)	
18	-----	1	BODY, pressure relief valve (Not Serviced - Order Item 17)	
19	-----	1	PISTON, pressure relief valve (Not Serviced - Order Item 17)	
20	-----	1	SPRING, pressure relief valve (Prior to Serial No. 10-13097 & 11-11898 Order Item 17)	
	4354568	1	SPRING, pressure relief valve (Effective w/Serial No. 10-13097 & 11-11898)	
	913168	1	WASHER, plain	
	916001	1	PIN, roll	
21	-----	1	WASHER, tab, relief valve cap (Prior to Serial No. 10-13097 & 11-11898 Order Item 17)	
22	-----	1	CAP, pressure relief valve (Prior to Serial No. 10-13097 & 11-11898 Order Item 17)	

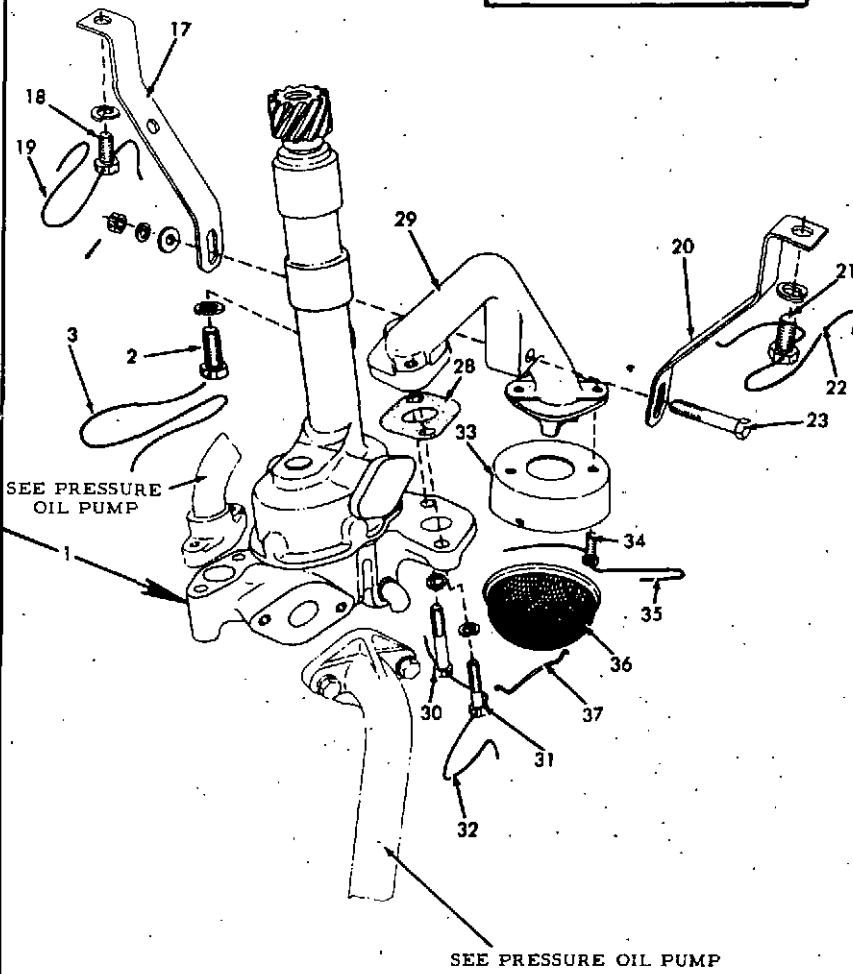
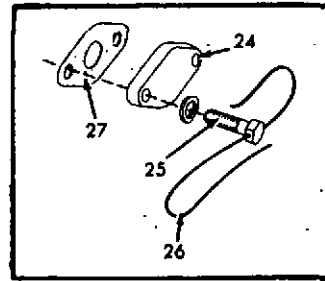
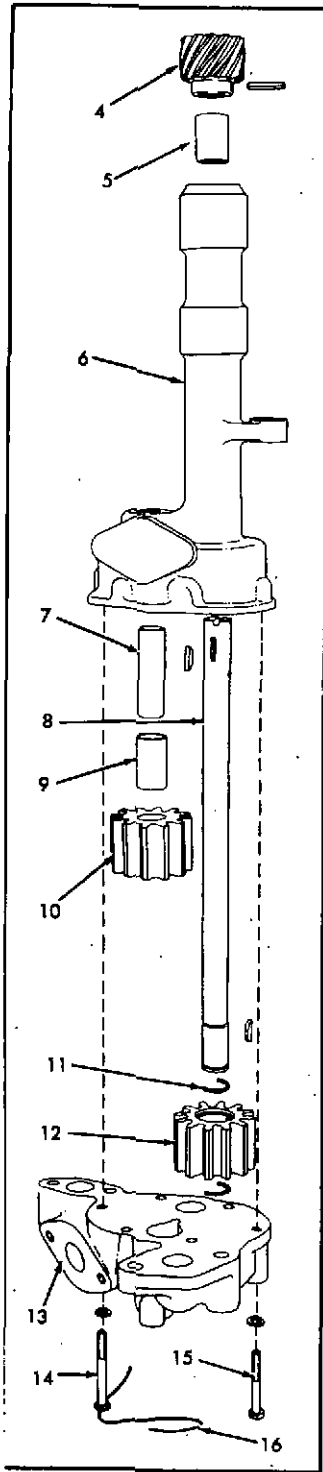
OIL PUMP (CONTINUED)
10000 & 11000
Power Unit & Diesel Electric Set

ITEM	PART NUMBER	QTY.	DESCRIPTION	PACKAGE NO.
23	4347938	1	LOCK, pressure relief valve body	
24	4348215	1	GASKET, discharge pump to pump	4336577
25	4335382	1	PIPE, discharge	
26	4320227	2	CAPSCREW, drilled hd.	
	904205	2	LOCKWASHER, 5/16"	
27	4346483	2	CAPSCREW, drilled hd.	
	904206	2	LOCKWASHER, 3/8"	
28	4509035	2	WIRE, locking	
29	4346169	1	GASKET, discharge pipe to crankcase	4359120
NOTE: Items 30, 31 & 35 thru 45 used when scavenger pump NOT required.				
30	4336386	1	BRACKET, suction pipe supporting, right	
31	4375812	3	CAPSCREW, drilled hd.	
	904208	3	LOCKWASHER, 1/2"	
	4348691	3	WIRE, locking	
32	4347572	1	CLAMP, discharge line	
33	915408	1	CAPSCREW, 3/8" NC x 3/4"	
	904206	1	LOCKWASHER, 3/8"	
	910324	1	NUT, 3/8" NC	
34	4348218	1	GASKET, suction pipe to pump	4359120
35	4349875	1	PIPE, suction (4338406 & 4339168)	
	4336381	1	PIPE, suction (Standard)	
36	4349375	2	CAPSCREW, drilled hd.	
	904205	2	LOCKWASHER, 5/16"	
	4509035	1	LOCKWIRE	
37	4336384	1	BRACKET, suction pipe supporting, left (Standard)	
	4338412	1	BRACKET, suction pipe supporting, left (4338406 & 4339168)	
38	916274	1	CAPSCREW, 3/8" NC x 2-1/4" (Standard)	
	4349383	1	CAPSCREW, drilled hd. (4338406 & 4339168)	
	904206	1	LOCKWASHER, 3/8"	
	910324	1	NUT, 3/8" NC	
	912597	1	WASHER, plain, 3/8"	
39	4336385	1	BRACKET, suction pipe supporting, rear	
40	4369110	1	CAPSCREW, drilled hd.	
	904206	1	LOCKWASHER, 3/8"	
	4348691	1	LOCKWIRE	
41	4348684	1	COVER, suction screen (Standard) (4338406 & 4339168)	
42	4374129	2	CAPSCREW, drilled hd. (Standard) (4338406 & 4339168)	
	904205	1	LOCKWASHER, 5/16"	
43	4509035	1	WIRE, locking (Standard) (4338406 & 4339168)	
44	4348683	1	SCREEN, oil	

OIL PUMP (CONTINUED)
10000 & 11000
Power Unit & Diesel Electric Set

ITEM	PART NUMBER	QTY.	DESCRIPTION	PACKAGE NO.
45	4348682	1	RETAINER, oil screen	
NOTE: Items 46 thru 60 required with Deep Sump Oil Pan and Scavenger Pump (4336978)				
46	4335384	1	PIPE, suction, front section	
47	4349375	2	CAPSCREW, drilled hd.	
48	4349383	2	CAPSCREW, drilled hd.	
	904205	4	LOCKWASHER, 5/16"	
49	4509035	2	WIRE, locking	
50	-----	1	BRACKET, suction pipe bracing (Refer to Scavenger Pump)	
51	4348215	1	GASKET, front suction pipe to scavenger pump	4359120
52	4346441	1	GASKET, rear suction pipe to scavenger pump	4359120
53	4335050	1	PIPE, suction, rear section	
54	4304980	2	CAPSCREW, drilled hd.	
	904206	2	LOCKWASHER, 3/8"	
55	4348689	1	WIRE, locking	
56	4378592	1	COVER, oil screen	
57	4374129	2	CAPSCREW, drilled hd.	
58	4509035	1	WIRE, locking	
59	4374127	1	SCREEN, oil	
60	4376294	1	RETAINER, oil screen	

MEMO



E-1337

SCAVENGER PUMP

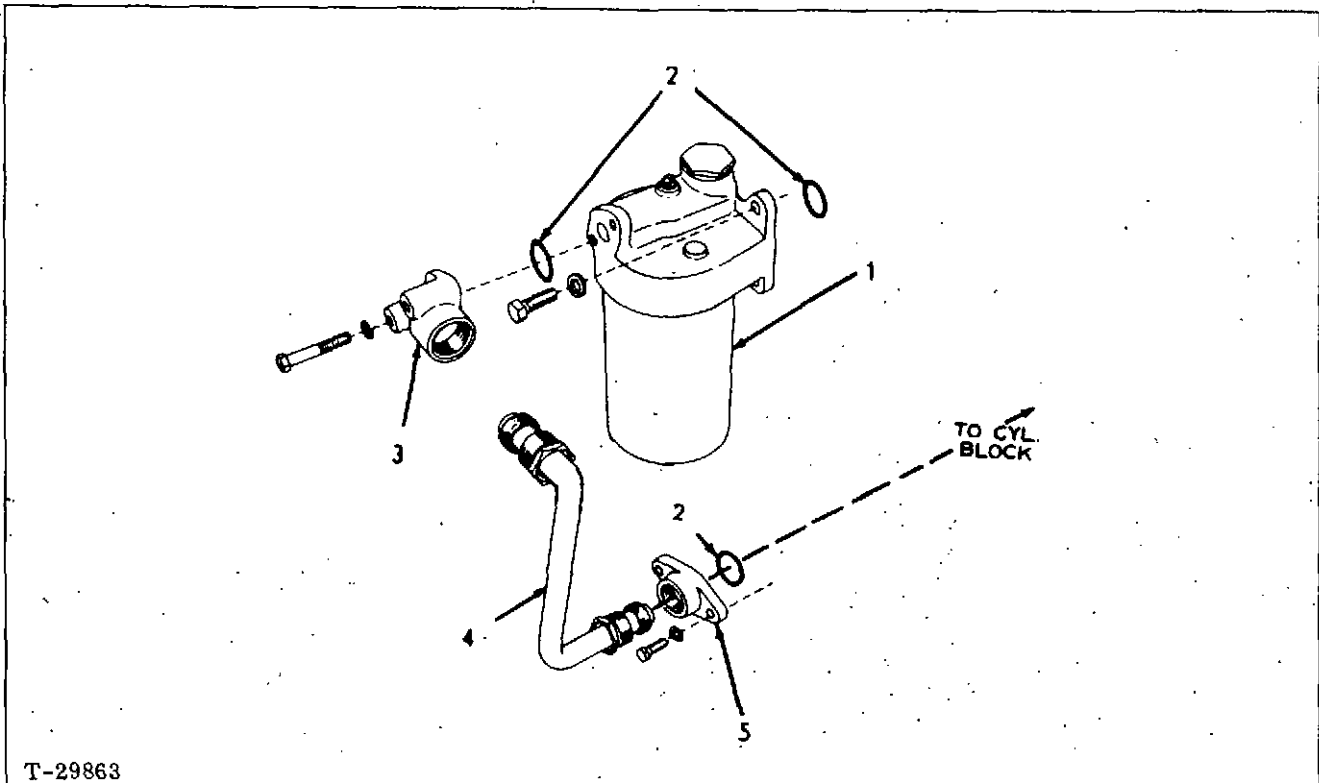
SCAVENGER PUMP (4336978)
10000 & 11000
Power Unit

ITEM	PART NUMBER	QTY.	DESCRIPTION	PACKAGE NO.
1	4357721	1	PUMP ASSY., scavenger (Consists of Items 4 thru 16)	
2	4311869	1	CAPSCREW, drilled hd.	
3	4305476	1	WIRE, locking	
	904208	1	LOCKWASHER, 1/2"	
4	4660408	1	GEAR, pump driving	
	917466	1	PIN, roll, 3/16" x 1-1/8"	
5	4346327	2	BUSHING, pump body	
6	-----	1	BODY ASSY., (Not Serviced - Order Item 1)	
7	4660409	1	SHAFT, stub	
8	4347893	1	SHAFT, drive	
	905122	2	KEY, woodruff, 1/8" x 3/4"	
9	4660412	1	BUSHING, pumping gear	
10	4660410	1	GEAR ASSY., pumping (Incl. Item 9)	
11	4251141	2	RING, snap, drive shaft	
12	4660407	1	GEAR, pumping (keywayed)	
13	4335000	1	COVER, pump body	
14	4335167	5	CAPSCREW, drilled hd.	
15	4335168	1	CAPSCREW, drilled hd.	
	904204	6	LOCKWASHER, 1/4"	
16	4348691	3	WIRE, locking	
17	4347578	1	BRACKET, suction pipe bracing, left	
18	4375812	1	CAPSCREW, drilled head	
	904208	1	LOCKWASHER, 1/2"	
19	4348691	1	WIRE, locking	
20	4347577	1	BRACKET, suction pipe bracing, right	
21	4375812	1	CAPSCREW, drilled hd.	
	904208	1	LOCKWASHER, 1/2"	
22	4348691	1	WIRE, locking	
23	4335153	1	CAPSCREW, suction pipe to brace (drilled end)	
	912597	1	WASHER, plain, 3/8"	
	904206	1	LOCKWASHER, 3/8"	
	914773	1	NUT, slotted, 3/8" NC	
	900802	1	PIN, cotter, 3/32" x 1"	
24	4347575	1	COVER, side, pump body	
25	4365867	2	CAPSCREW, drilled hd.	} (Used on 4335004 PUMP ASSY.)
	904206	2	LOCKWASHER, 3/8"	
26	4509035	1	WIRE, locking	
27	4362458	1	GASKET, pump body side cover	4359120
28	4346441	1	GASKET, scavenger pump suction pipe	4359120
29	4335048	1	PIPE, suction	
30	4349382	1	CAPSCREW, drilled hd.	
31	4335264	1	CAPSCREW, drilled hd.	

Continued

SCAVENGER PUMP (4336978) (CONTINUED)
 10000 & 11000
 Power Unit

ITEM	PART NUMBER	QTY.	DESCRIPTION	PACKAGE NO.
	904206	2	LOCKWASHER, 3/8"	
32	4509035	1	WIRE, locking	
33	4348684	1	COVER, oil screen	
34	4374129	1	CAPSCREW, drilled hd.	
35	4509035	1	WIRE, locking	
36	4348683	1	SCREEN, oil	
37	4348682	1	RETAINER, oil screen	
38	4347572	1	CLAMP, suction line	} (Not Illustrated)
39	4335152	1	CAPSCREW, clamp	



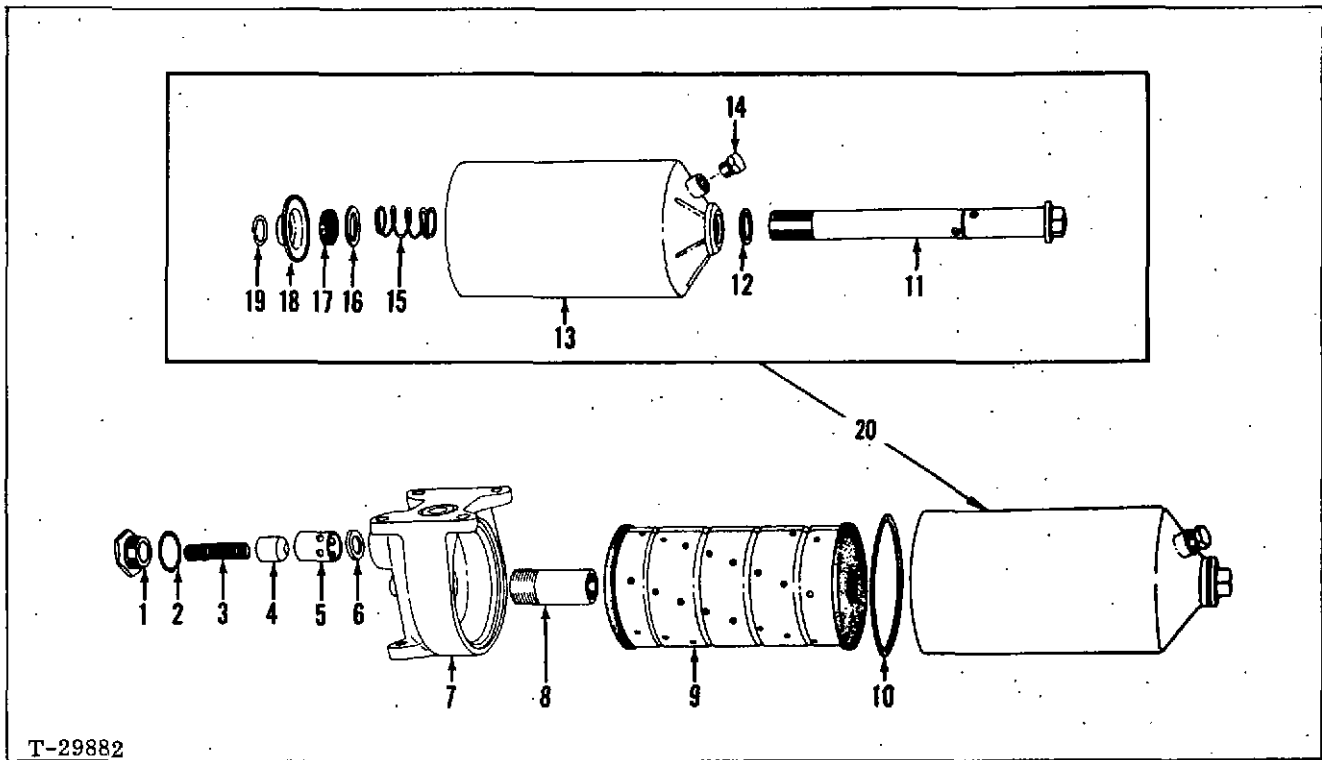
LUBE OIL FILTER
(Used without Oil Cooler)
10000

Power Unit & Diesel Electric Set

* Prior to Serial No. 113675

** Effective w/Serial No. 113675

ITEM	PART NUMBER	QTY. * **	DESCRIPTION	PACKAGE NO.
1	4335338	1 -	FILTER ASSY., (See Page 58 for Components)	
	4337527	- 1	FILTER ASSY., (See Page 58 for Components)	
	919230	4 4	CAPSCREW, 1/2" NC x 1-3/8"	
	904208	4 4	LOCKWASHER, 1/2"	
	920333	- 1	PLUG, pipe, hex. hd., 3/8" NPTF	
2	4253106	3 3	O-RING, filter and oil tube flange	4359120
3	4335334	1 1	FLANGE, oil tube	
	912069	2 2	CAPSCREW, 3/8" NC x 2-1/2"	
	904206	2 2	LOCKWASHER, 3/8"	
4	4034469	1 1	TUBE ASSY., oil, filter to block (Incl. NUT & RING indented below)	
	917741	2 2	NUT, male, sealastic, 7/8" OD tube	
	918327	2 2	RING, sealastic, 7/8" OD tube (Incl. FERRULE)	
5	4348279	1 1	FLANGE, oil tube	
	919224	2 2	CAPSCREW, 3/8" NC x 1-1/8"	
	904206	2 2	LOCKWASHER, 3/8"	



T-29882

OIL FILTER ASSEMBLIES - 4335338 & 4337527
 10000 & 11000
 Power Unit & Diesel Electric Set

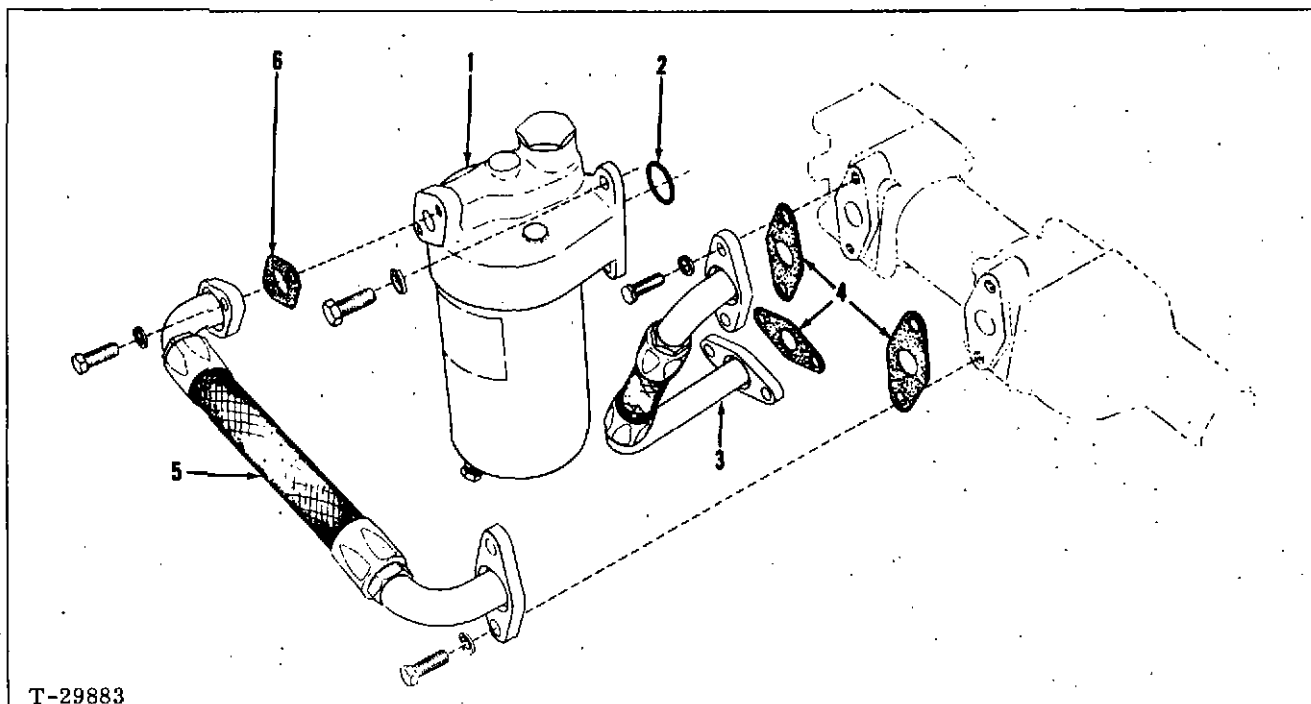
ITEM	PART NUMBER	QTY.	DESCRIPTION	PACKAGE NO.
NOTE: See Pages 57 & 60 for Oil Filter				
1	4373610	1	CAP, relief valve	
2	4253751	1	GASKET, relief valve cap	
3	4335666	1	SPRING, relief valve	
4	4373613	1	PISTON, relief valve	
5	4373612	1	SLEEVE, relief valve piston	
6	4373614	1	SEAT, relief valve piston	
7	4335339	1	HEAD ASSY., (Incl. Items 1 thru 6 & 8) (4335338 Filter)	
	4337528	1	HEAD ASSY., (Incl. Items 1 thru 6 & 8) (4337527 Filter)	
8	4371443	1	ADAPTOR, center bolt	
9	4371021	1	ELEMENT KIT, oil filter (Incl. Item 10)	
10	4372325	1	GASKET, oil filter body	
11	4374735	1	BOLT, center	
12	4041103	1	GASKET, filter center bolt	
13	4335352	1	BODY, oil filter	

OIL FILTER ASSEMBLIES - 4335338 & 4337527 (CONTINUED)

10000 & 11000

Power Unit & Diesel Electric Set

ITEM	PART NUMBER	QTY.	DESCRIPTION	PACKAGE NO.
14	4048938	1	PLUG, oil filter drain	
15	4371036	1	SPRING, filter element	
16	4348268	1	WASHER, filter element seal	
17	4348270	1	SEAL, filter element	
18	4348269	1	ADAPTOR, filter element	
19	4253195	1	RING, snap, filter center bolt	
20	4335348	1	CAN ASSY., filter (Incl. Items 9 thru 19)	



T-29883

OIL FILTER

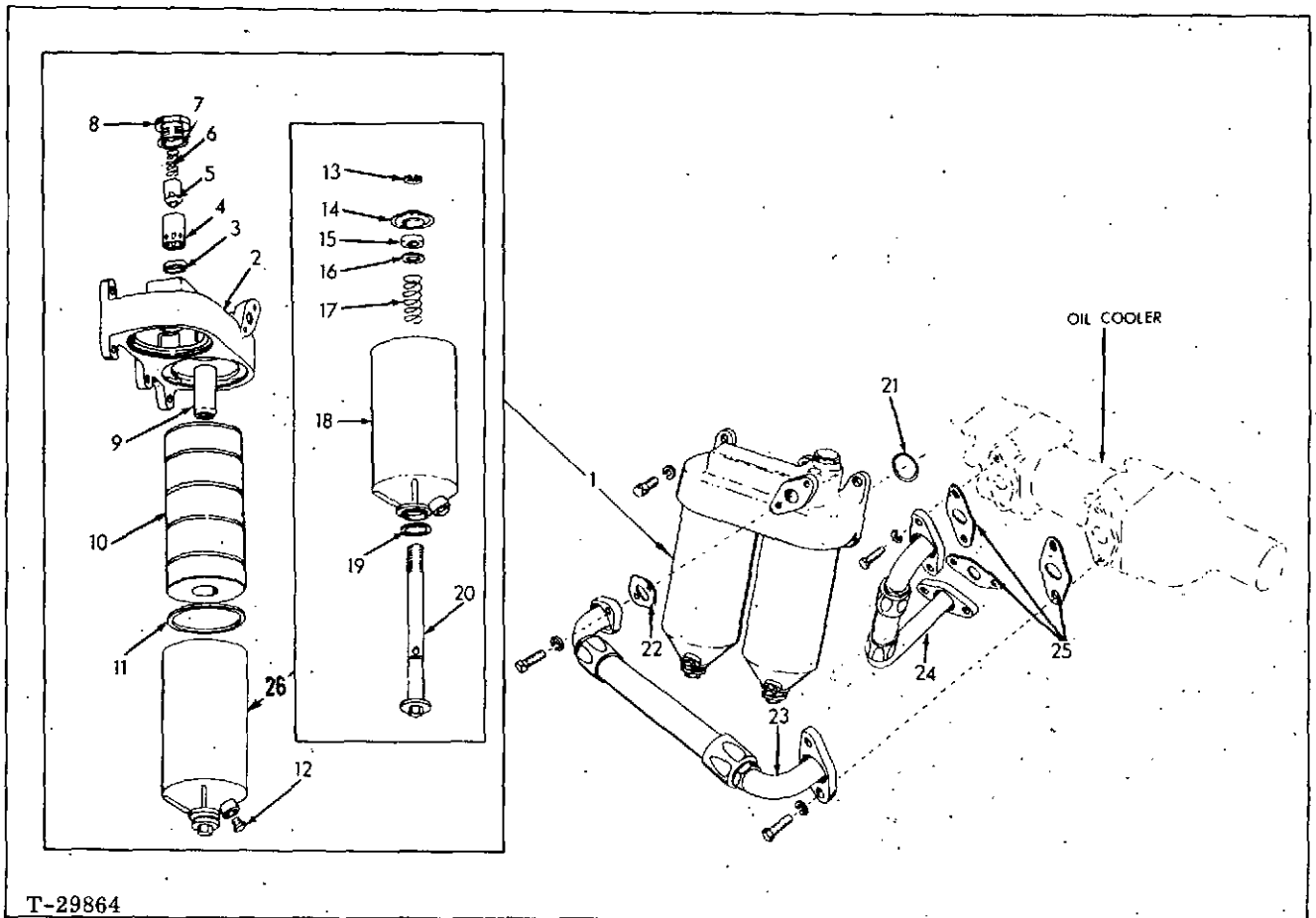
Power Unit & Diesel Electric Set.

* 10000 Engine (For Use w/Oil Cooler) (Prior to Serial No. 113675) (4336981 & 4337967)

** { 10000 Engine (For Use w/Oil Cooler) (1800 R. P. M. & Under) (Effective w/Serial No. 113675) (4336981 & 4337967)

11000 Engine (Standard) (1800 R. P. M. & Under) (Effective w/Serial No. 113719)

ITEM	PART NUMBER	QTY:	DESCRIPTION	PACKAGE NO.
		* **		
1	4335338	1 -	FILTER ASSY., (See Page 58 for Components) (Not included in Catalog No's. 4336981 & 4337967)	
	4337527	- 1	FILTER ASSY., (See Page 58 for Components) (Not included in Catalog No's. 4336981 & 4337967)	
	919230	- 4	CAPSCREW, 1/2" NC x 1-3/8" (4339349 Engine Assy. Only)	
	915666	4 4	CAPSCREW, 1/2" NC x 1-3/4"	
	904208	4 4	LOCKWASHER, 1/2"	
2	923718	1 1	O-RING, filter to cylinder block	4359120
3	4335566	1 1	HOSE ASSY., oil cooler to crankcase (See Page 371 for Parts) (4338057)	
	919224	4 4	CAPSCREW, 3/8" NC x 1-1/8"	
	904206	4 4	LOCKWASHER, 3/8"	
4	4335577	3 3	GASKET, oil hose (4338057).	4359120
5	4335567	1 1	HOSE ASSY., oil filter to cooler (See Page 371 for Parts) (4338057)	
	919224	4 4	CAPSCREW, 3/8" NC x 1-1/8" (3 only required on Engine Assy. 4339349)	
	919225	1 1	CAPSCREW, 3/8" NC x 1-3/8" (Required on Engine Assy. 4339349 only)	
	904206	4 4	LOCKWASHER, 3/8"	
6	4335578	1 1	GASKET, hose to filter (4338057)	4359120



T-29864

LUBE OIL FILTER

Power Unit & Diesel Electric Set

11000 Engines (Standard) (Prior to Serial No. 113719)

10000 Engine (4337008, 4337011, 4339285, 4339287, 4339306, 4339289, 4339291, 4339707 & 4339770)

11000 Engine (4337007, 4337010, 4339286, 4339288, 4339305, 4339307, 4339290, 4339292, 4339747 & 4339770)

ITEM	PART NUMBER	QTY.	DESCRIPTION	PACKAGE NO.
1	4335335	1	FILTER ASSY., lube oil (Incl. Items 2 thru 20)	
	919230	6	CAPSCREW, 1/2" NC x 1-3/8"	
	904208	6	LOCKWASHER, 1/2"	
2	4335336	1	HEAD ASSY., filter (Incl. Items 3 thru 9)	
3	4373614	1	SEAT, relief valve piston	
4	4373612	1	SLEEVE, relief valve piston	
5	4373613	1	PISTON, relief valve	
6	4335666	1	SPRING, relief valve piston	
7	4253751	1	GASKET, relief valve cap	
8	4373610	1	CAP, relief valve	
9	4371443	2	ADAPTOR, center bolt	

Continued

LUBE OIL FILTER (CONTINUED)

Power Unit & Diesel Electric Set,

11000 Engines (Standard) (Prior to Serial No. 113719)

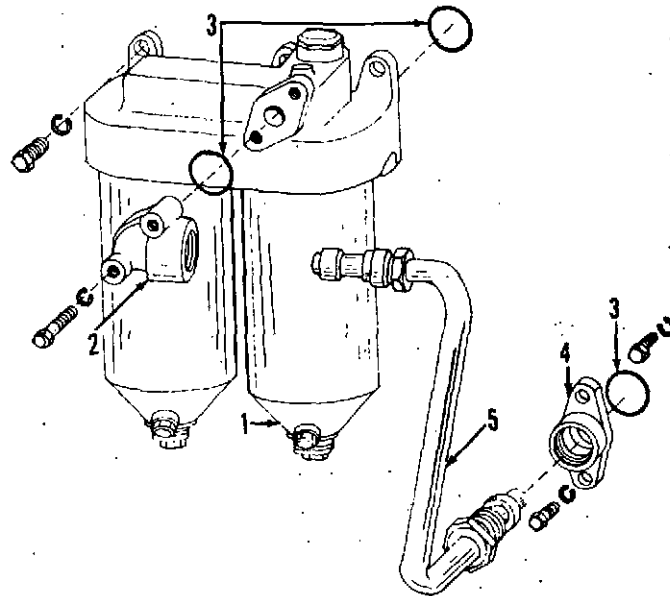
10000 Engine (4337008, 4337011, 4339285, 4339287, 4339306, 4339289, 4339291, 4339707 & 4339770)

11000 Engine (4337007, 4337010, 4339286, 4339288, 4339305, 4339307, 4339290, 4339292, 4339747 & 4339770)

ITEM	PART NUMBER	QTY.	DESCRIPTION	PACKAGE NO.
10	4371021	2	ELEMENT KIT, oil filter (Incl. Item 11)	
11	4372325	2	GASKET, oil filter body	
12	4048938	2	PLUG, hex. hd.	
13	4253195	2	RING, snap, filter center bolt	
14	4348269	2	ADAPTOR, filter element	
15	4348270	2	SEAL, filter element	
16	4348268	2	WASHER, filter element seal	
17	4371036	2	SPRING, filter element	
18	4335352	2	BODY, oil filter	
19	4041103	2	GASKET, filter center bolt	
20	4374735	2	BOLT, center	
21	923718	1	O-RING, sealing	4359120
22	4335578	1	GASKET, hose to filter	4359120
23	4335567	1	HOSE ASSY., filter to cooler (See Page 371 for Parts) (4338057)	
	910211	4	CAPSCREW, 3/8" NC x 1-1/8"	
	904206	4	LOCKWASHER, 3/8"	
24	4335566	1	HOSE ASSY., cooler to block (See Page 371 for Parts) (4338057)	
	910211	4	CAPSCREW, 3/8" NC x 1-1/8"	
	904206	4	LOCKWASHER, 3/8"	
25	4335577	3	GASKET, oil hose	4359120
26	4335348	2	CAN ASSY., filter (Incl. Items 11 thru 20)	

LUBE OIL FILTER RELOCATION (4338396)
 10000 & 11000
 Power Unit
 (Not Illustrated)

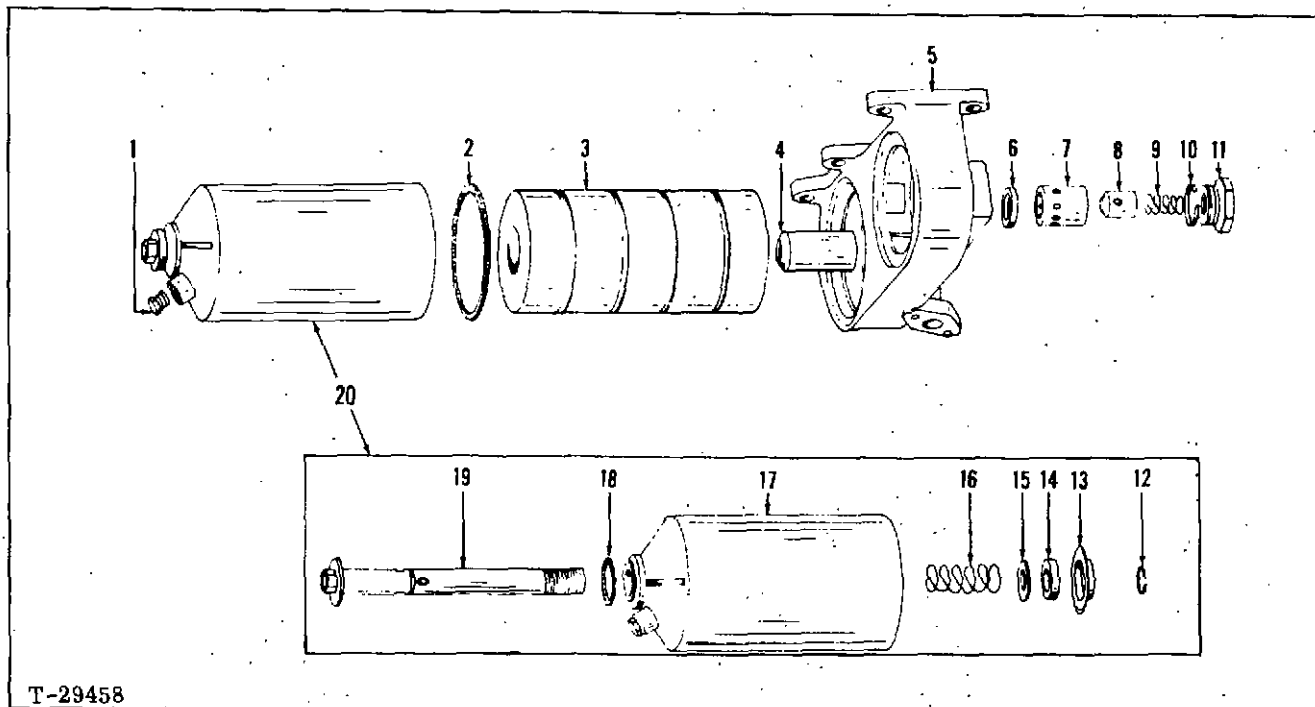
ITEM	PART NUMBER	QTY.	DESCRIPTION	PACKAGE NO.
1	4338189	1	ADAPTOR, oil filter, front	
	904223	1	PLUG, pipe, 1/2" dryseal	
	919230	2	CAPSCREW, 1/2" NC x 1-3/8"	
	916316	2	CAPSCREW, 1/2" NC x 2-1/2"	
	904208	4	LOCKWASHER, 1/2"	
2	4338405	1	ADAPTOR, oil filter, rear	
	916311	2	CAPSCREW, 1/2" NC x 1-1/4"	
	904208	2	LOCKWASHER, 1/2"	
3	4338585	1	HOSE ASSY., filter to gallery	
	919224	1	CAPSCREW, 3/8" NC x 1-1/8"	
	921477	1	CAPSCREW, flat hd., hex. socket	
4	4335578	1	GASKET, at filter head	4359120
5	4335577	1	GASKET, gallery	4359120



T-34404

LUBE OIL FILTER
10000
Torque Converter Engine

ITEM	PART NUMBER	QTY.	DESCRIPTION	PACKAGE NO.
1	4335335	1	FILTER ASSY., (See Page 65 for Components)	
	919230	6	CAPSCREW, 1/2" NC x 1-3/8"	
	904208	6	LOCKWASHER, 1/2"	
	920333	1	PLUG, pipe, hex. hd., 3/8" NPTF	
2	4335334	1	FLANGE, oil tube	
	916274	2	CAPSCREW, 3/8" NC x 2-1/2"	
	904206	2	LOCKWASHER, 3/8"	
3	923718	3	O-RING, filter and oil tube flange	4359120
4	4348279	1	FLANGE, oil tube	
	919224	2	CAPSCREW, 3/8" NC x 1-1/8"	
	904206	2	LOCKWASHER, 3/8"	
5	4034469	1	TUBE ASSY., oil, filter to block (Incl. NUT & RING indented below)	
	917741	2	NUT, male, sealastic, 7/8" tube	
	918327	2	RING, sealastic, 7/8" tube (Incl. FERRULE)	



T-29458

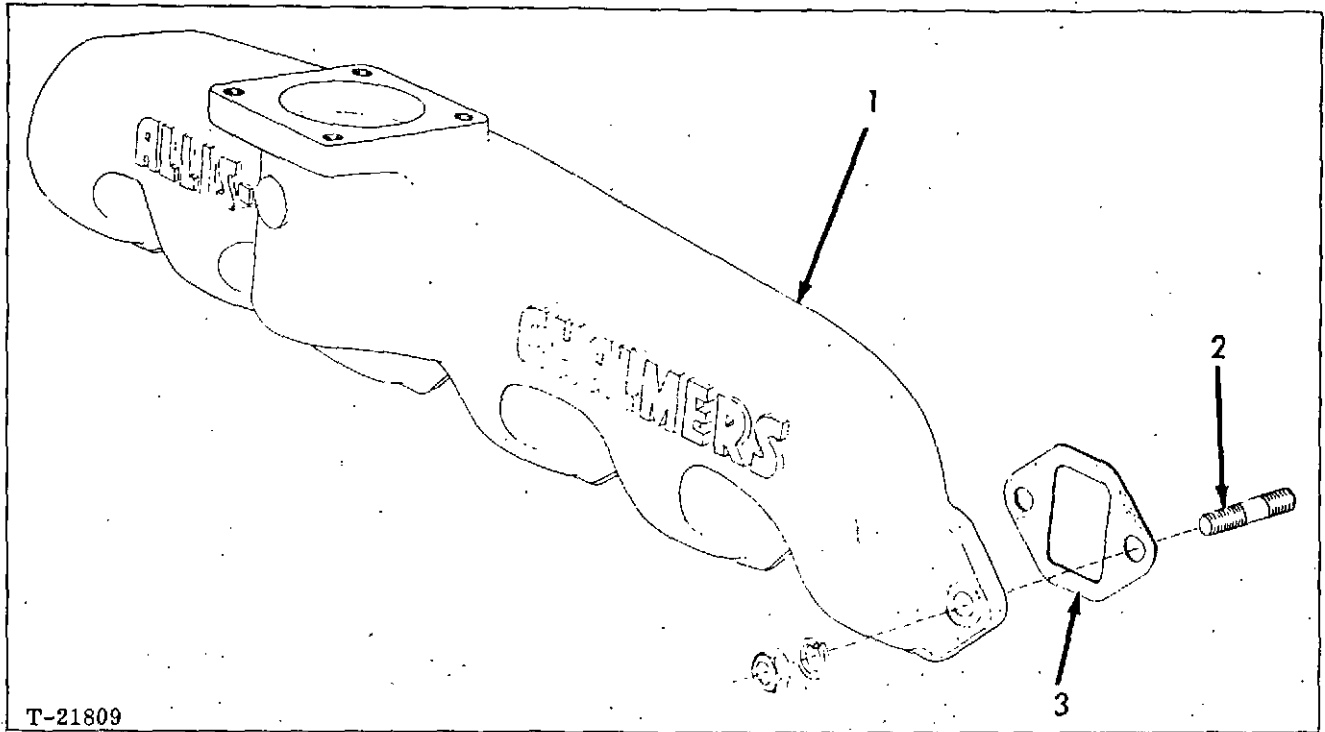
OIL FILTER ASSEMBLY - 4335335
 10000 & 11000
 Torque Converter Engine

ITEM	PART NUMBER	QTY.	DESCRIPTION	PACKAGE NO.
NOTE: See Page 64 for listing of Complete Assy.				
1	4048938	2	PLUG, hex. hd.	
2	4372325	2	GASKET, oil filter body	
3	4371021	2	ELEMENT KIT, oil filter (Incl. Item 2)	
4	4371443	2	ADAPTOR, center bolt	
5	4335336	1	HEAD ASSY., filter (Incl. Items 4, 6 thru 11)	
6	4373614	1	SEAT, relief valve piston	
7	4373612	1	SLEEVE, relief valve piston	
8	4373613	1	PISTON, relief valve	
9	4335666	1	SPRING, relief valve piston	
10	4253751	1	GASKET, relief valve cap	
11	4373610	1	CAP, relief valve	
12	4253195	2	RING, snap, filter center bolt	
13	4348269	2	ADAPTOR, filter element	
14	4348270	2	SEAL, filter element	
15	4348268	2	WASHER, filter element seal	

Continued

OIL FILTER ASSEMBLY - 4335335 (CONTINUED)
10000 & 11000
Torque Converter Engine

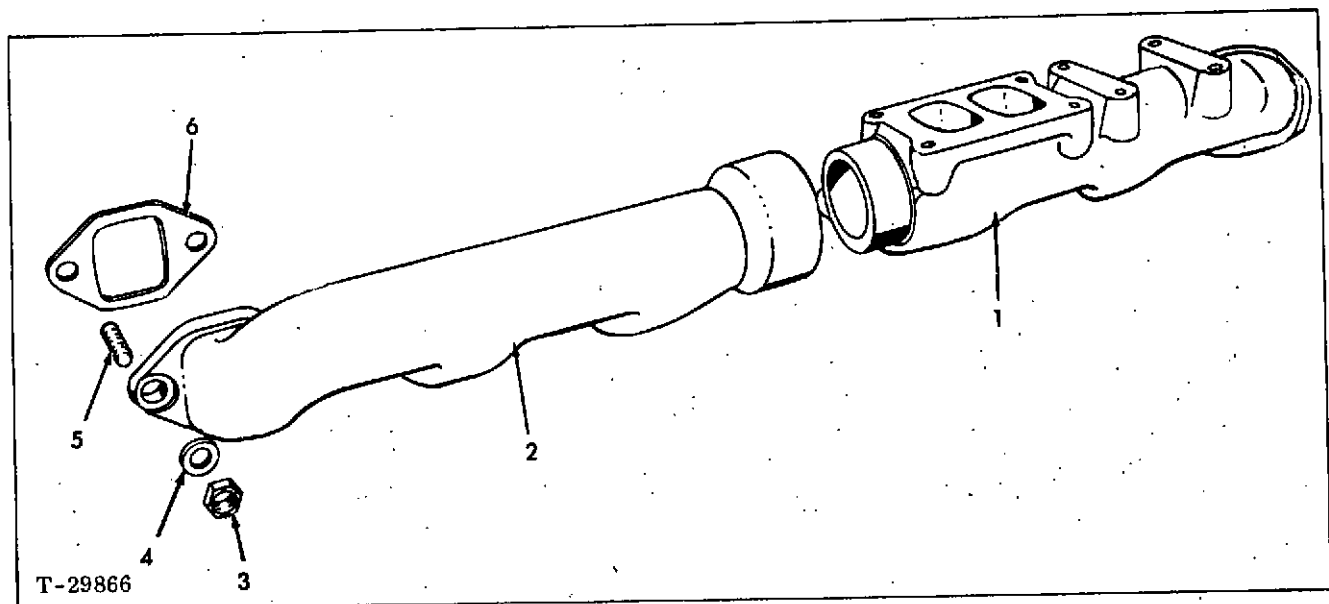
ITEM	PART NUMBER	QTY.	DESCRIPTION	PACKAGE NO.
16	4371036	2	SPRING, filter element	
17	4335352	2	BODY, oil filter	
18	4041103	2	GASKET, filter center bolt	
19	4374735	2	BOLT, center	
20	4335348	2	CAN ASSY., filter (Incl. Items 1, 2 & 12 thru 19)	



T-21809

INTAKE MANIFOLD
10000 & 11000
Power Unit & Diesel Electric Set

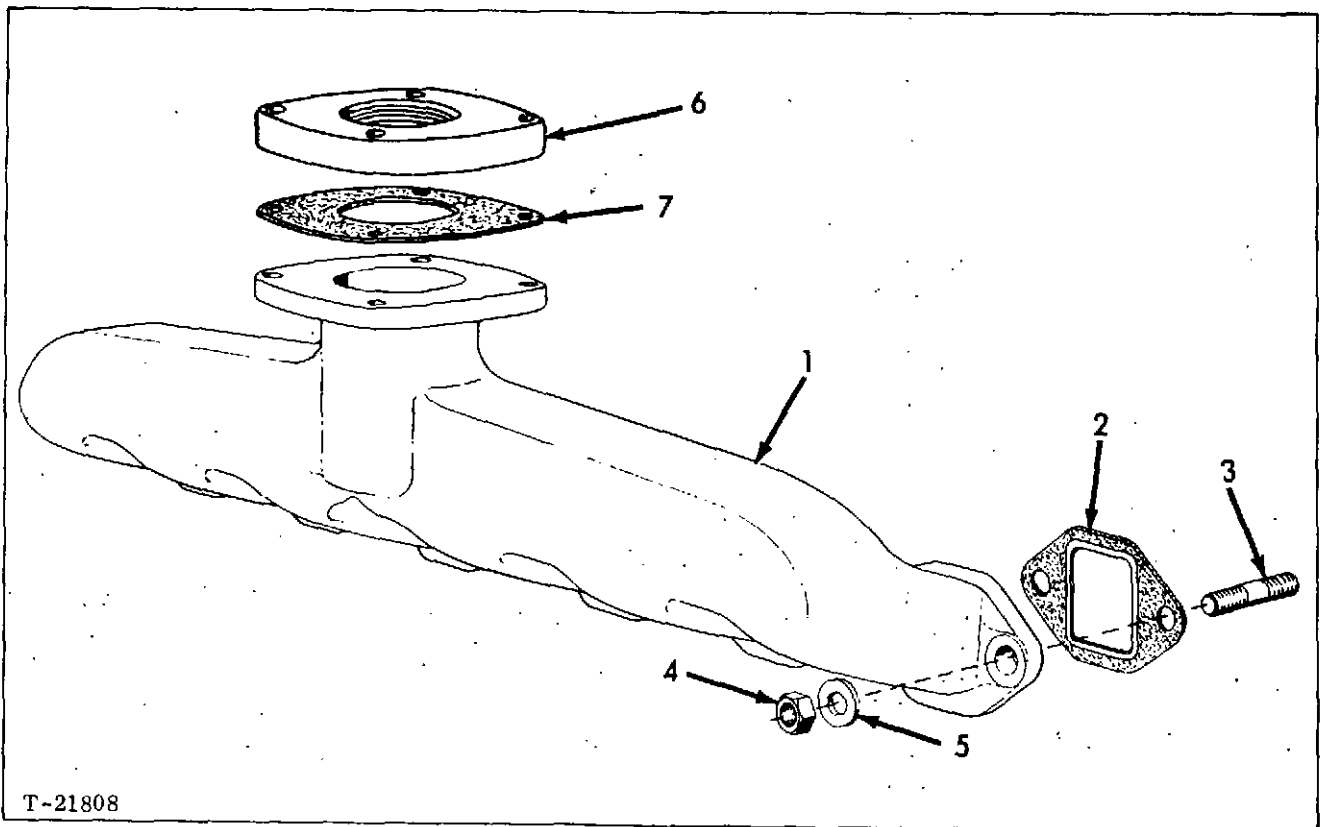
ITEM	PART NUMBER	QTY.	DESCRIPTION	PACKAGE NO.
1	4336454	1	MANIFOLD, intake (w/1" end hole) (Used w/Dry Exhaust Applications)	
	4336202	1	MANIFOLD, intake (w/out 1" end hole) (Used w/Water Cooled Exhaust Applications)	
	921073	1	PLUG, pipe, 1" (4336454 Manifold Only) (At Front End)	
2	4346208	12	STUD, exhaust manifold	
	904208	12	LOCKWASHER, 1/2"	
	910325	12	NUT, 1/2" NC	
3	4346138	6	GASKET, intake manifold	4354291



EXHAUST MANIFOLD
11000

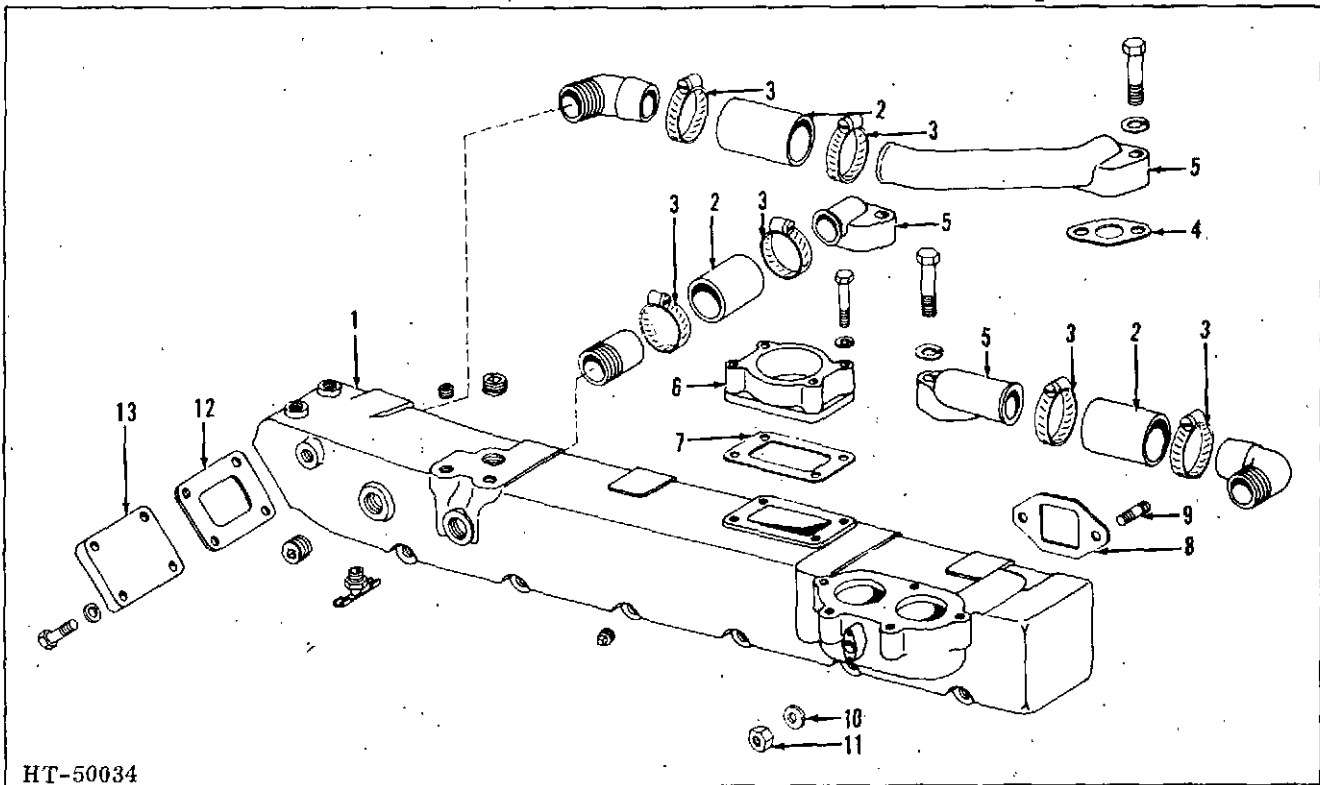
Power Unit & Diesel Electric Set

ITEM	PART NUMBER	QTY.	DESCRIPTION	PACKAGE NO.
1	4339511	1	MANIFOLD, exhaust, front	
	919840	2	PLUG, pipe, 1/4"	
2	4335623	1	MANIFOLD, exhaust, rear	
3	4253270	12	NUT, manifold stud	
4	4371107	12	WASHER, plain, stud nut	
5	4346208	12	STUD, exhaust manifold	
6	4338511	6	GASKET, exhaust manifold	4354291



EXHAUST MANIFOLD
10000
Power Unit & Diesel Electric Set

ITEM	PART NUMBER	QTY.	DESCRIPTION	PACKAGE NO.
1	4339515	1	MANIFOLD, exhaust	
	919840	1	PLUG, pipe, 1/4"	
2	4338511	6	GASKET, exhaust manifold	4354291
3	4346208	12	STUD, exhaust manifold	
4	4253270	12	NUT, manifold stud	
5	4371107	12	WASHER, plain, manifold stud nut	
6	4349488	1	FLANGE, exhaust outlet	
	916316	4	CAPSCREW, 1/2" NC x 2-1/2"	
	904208	4	LOCKWASHER, 1/2"	
	910325	4	NUT, 1/2" NC	
7	4348864	1	GASKET, exhaust flange	

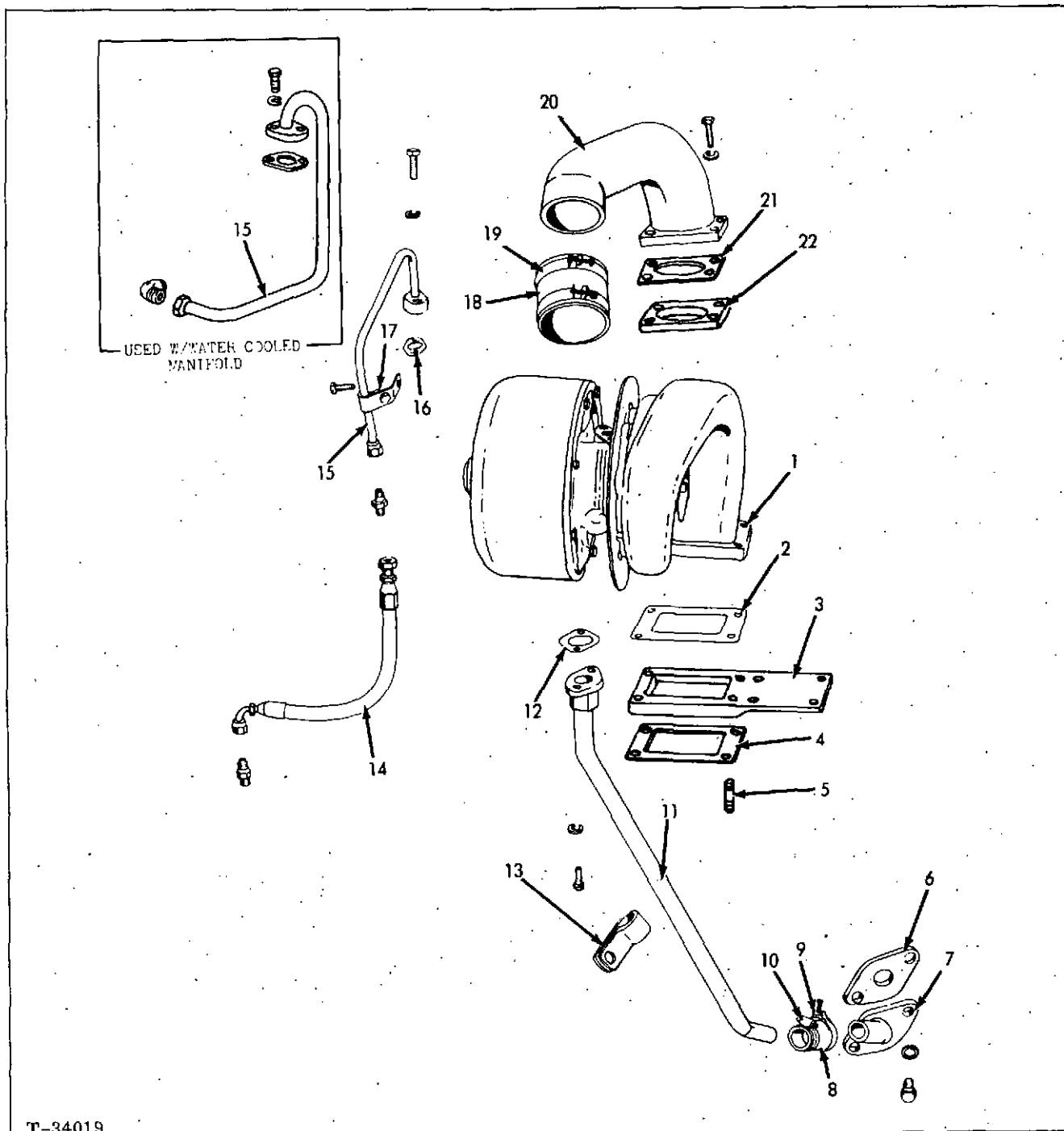


WATER COOLED EXHAUST MANIFOLD
 Power Unit & Diesel Electric Set
 10000 & 11000 - STANDARD
 (4337469, 4339470, 4338140 & 4338141)

ITEM	PART NUMBER	QTY.	DESCRIPTION	PACKAGE NO.
1	4337452	1	MANIFOLD ASSY., exhaust, water cooled (Incl. PLUGS, NIPPLES, DRAIN COCK & Items 12 & 13) (Prior to Serial No. 124073)	
	917970	3	PLUG, pipe, ctsk. hex. socket, 1/2" NPTF	
	912725	6	PLUG, pipe, sq. hd., 1/2" PT	
	919857	4	NIPPLE, water connection, 1" x 1-3/8" (to cylinder head)	
	912415	1	COCK, drain, 1/4" PT	
	918780	8	PLUG, pipe, ctsk. sq. socket, 1" PT	
	4338683	1	MANIFOLD ASSY., exhaust, water cooled (Incl. PLUGS, ELBOWS, NIPPLES, DRAIN COCK & Items 12 & 13) (Effective w/Serial No. 124073)	
	901666	10	PLUG, pipe, ctsk. hd., 1"	
	920132	10	PLUG, pipe, 1/2"	
	907070	2	PLUG, pipe, 1/4"	
	4251593	2	ELBOW, connection (to cylinder head)	
	919857	2	NIPPLE, water connection, 1" x 1-3/8" (to cylinder head)	
	912415	1	COCK, drain, 1/4"	
2	4337283	4	HOSE, water connection	
3	4254991	8	CLAMP, hose	
4	4336182	4	GASKET, elbow	4354291

WATER COOLED EXHAUST MANIFOLD (CONTINUED)
 Power Unit & Diesel Electric Set
 10000 & 11000 - STANDARD
 (4337469, 4337470, 4338140 & 4338141)

ITEM	PART NUMBER	QTY.	DESCRIPTION	PACKAGE NO.
5	4337280	2	ELBOW, water outlet (to cylinder head) (4 Used Prior to Serial No. 124073)	
	4338452	1	ELBOW, water outlet, rear (to cylinder head) (Effective w/Serial No. 124073)	
	4338453	1	ELBOW, water outlet, front (to cylinder head) (Effective w/Serial No. 124073)	
	919226	8	CAPSCREW, 3/8" NC x 1-5/8"	
	904206	8	LOCKWASHER, 3/8"	
6	4337375	1	FLANGE, exhaust manifold	(10000 Engines Only - f/11000 Engines See Turbocharger)
	916274	4	CAPSCREW, 3/8" NC x 2-1/4"	
	904206	4	LOCKWASHER, 3/8"	
7	4337279	1	GASKET, flange	
8	4338511	6	GASKET, exhaust manifold	4354291
9	4346208	12	STUD, exhaust manifold	
10	4371107	12	WASHER, manifold stud	
11	4253270	12	NUT, manifold stud	
12	4379561	1	GASKET, cover to manifold (Prior to Serial No. 117472)	
	4336558	1	GASKET, cover to manifold (Effective w/Serial No. 117472)	4359123
13	4337278	1	COVER, exhaust manifold	
	916272	4	CAPSCREW, 3/8" NC x 1-1/4"	
	904206	4	LOCKWASHER, 3/8"	



T-34019

TURBOCHARGER
11000

Power Unit & Diesel Electric Set
 * Used w/Dry Exhaust Manifold
 ** Used w/Water Cooled Manifold
 USAGE: Prior to Serial No. 11-10469

ITEM	PART NUMBER	QTY. * **	DESCRIPTION	PACKAGE NO.
1	4337474	1 -	TURBOCHARGER ASSY., (Standard) (Refer to Page 80 for Components)	

TURBOCHARGER (CONTINUED)

11000

Power Unit & Diesel Electric Set

* Used w/Dry Exhaust Manifold

** Used w/Water Cooled Manifold

USAGE: Prior to Serial No. 11-10469

ITEM	PART NUMBER	QTY. * **	DESCRIPTION	PACKAGE NO.
1	4338124	1 -	TURBOCHARGER ASSY., (4337002, 4336985, 4337005)(Standard f/4430626 & 4430627 Engine Assy.) (Refer to Page 80 for Components)	
	4338125	- 1	TURBOCHARGER ASSY., (4337470) (Standard f/4339348 & 4339349 Engine Assy.) (Refer to Page 80 for Components)	
	4338126	- 1	TURBOCHARGER ASSY., (4338140 & 4338141) (Refer to Page 80 for Components)	
	4338461	1 1	TURBOCHARGER ASSY., (4338465) (Refer to Page 80 for Components)	
2	4336588	1 1	GASKET, turbocharger	4359123
3	4337277	- 1	ADAPTOR, turbocharger (4337470, 4338140 & 4338141)	
	4339138	- 1	ADAPTOR, turbocharger (f/4339348 & 4339349 Engine)	
4	4337279	- 1	GASKET, adaptor to manifold	
5	4379560	4 -	STUD, turbocharger mounting (Used Prior to Serial No. 116736)	
	4339535	4 -	STUD, turbocharger mounting (Effective w/Serial No. 116736 & up)	
	4337455	- 4	STUD, turbocharger and adaptor mounting (Prior to Serial No. 11-10006)	
	4339135	- 4	STUD, turbocharger and adaptor mounting (Effective w/Serial No. 11-10006)	
	913544	4 4	WASHER, flat	
	4385387	4 4	NUT	
6	4336436	1 1	GASKET, oil tube flange	4359123
7	4337114	1 1	FLANGE, oil tube	
	916311	2 2	CAPSCREW, 1/2" NC x 1-1/4"	
	904208	2 2	LOCKWASHER, 1/2"	
8	4379723	1 1	ADAPTOR, rubber (oil tube to flange)	
9	4254968	1 1	CLAMP, adaptor	
10	4254991	1 1	CLAMP, adaptor	
11	4336615	1 -	TUBE ASSY., turbocharger oil drain	
	4337449	- 1	TUBE ASSY., turbocharger oil drain (Prior to Serial No. 11-10006)	
	4339131	- 1	TUBE ASSY., turbocharger oil drain (Effective w/Serial No. 11-10006)	

Continued

TURBOCHARGER (CONTINUED)

11000

Power Unit & Diesel Electric Set

* Used w/Dry Exhaust Manifold

** Used w/Water Cooled Manifold

USAGE: Prior to Serial No. 11-10469

ITEM	PART NUMBER	QTY. * **	DESCRIPTION	PACKAGE NO.
	919224	2 2	CAPSCREW, 3/8" NC x 1-1/8"	
	904206	2 2	LOCKWASHER, 3/8"	
12	4335649	1 1	GASKET, oil drain tube.	4359123
13	4336620	1 1	CLAMP, oil drain tube	
14	4335731	1 -	HOSE ASSY., oil feed (See Page 371 for Parts)	
	919066	1 -	UNION, flared, 1/2" OD tube	
	919063	1 -	CONNECTOR, male, 1/2" OD tube x 3/8" PT	
	4337205	1 -	TUBE ASSY., oil feed (Prior to Serial No. 118729) (Incl. NUTS & SLEEVES)	
	4338222	1 -	TUBE ASSY., oil feed (Effective w/Serial No. 118729) (Incl. NUTS & SLEEVES)	
	919070	1 -	SLEEVE, 1/2" OD tube	
	919068	1 -	NUT, 1/2" OD tube	
15	4337450	- 1	TUBE ASSY., oil feed (Prior to Serial No. 11-10006) (Incl. NUTS & SLEEVES)	
	4339129	- 1	TUBE ASSY., oil feed (Effective w/Serial No. 11-10006) (Incl. NUTS & SLEEVES)	
	917808	- 1	NUT, 1/2" OD tube	
	917811	- 1	SLEEVE, 1/2" OD tube	
	919224	2 2	CAPSCREW, 3/8" NC x 1-1/8"	
	904206	2 2	LOCKWASHER, 3/8"	
	920399	- 1	ELBOW, 3/8" PT x 1/2" OD tube (filter head)	
16	4335647	1 1	GASKET, oil tube.	4359123
17	4338223	1 -	CLAMP, oil tube	
	901172	1 -	SCREW, #10 NC x 1/2"	
	904203	1 -	LOCKWASHER, #10	
	901310	1 -	NUT, #10 NC	
18	4013450	1 1	HOSE, turbocharger elbow (Prior to Serial No. 118162)	
	4386591	1 1	HOSE, turbocharger elbow (Effective w/Serial No. 118162)	
19	4253467	2 2	CLAMP, elbow hose (Prior to Serial No. 118162)	
	4386593	2 2	CLAMP, elbow hose (Effective w/Serial No. 118162)	
	4339585	1 -	ELBOW, turbocharger to manifold	
20	4337379	- 1	ELBOW, turbocharger to manifold	
	919230	4 -	CAPSCREW, 1/2" NC x 1-3/8"	
	916315	- 4	CAPSCREW, 1/2" NC x 2-1/4"	
	904208	4 4	LOCKWASHER, 1/2"	
21	4349193	1 2	GASKET, turbocharger elbow.	4359123

TURBOCHARGER (CONTINUED)

11000

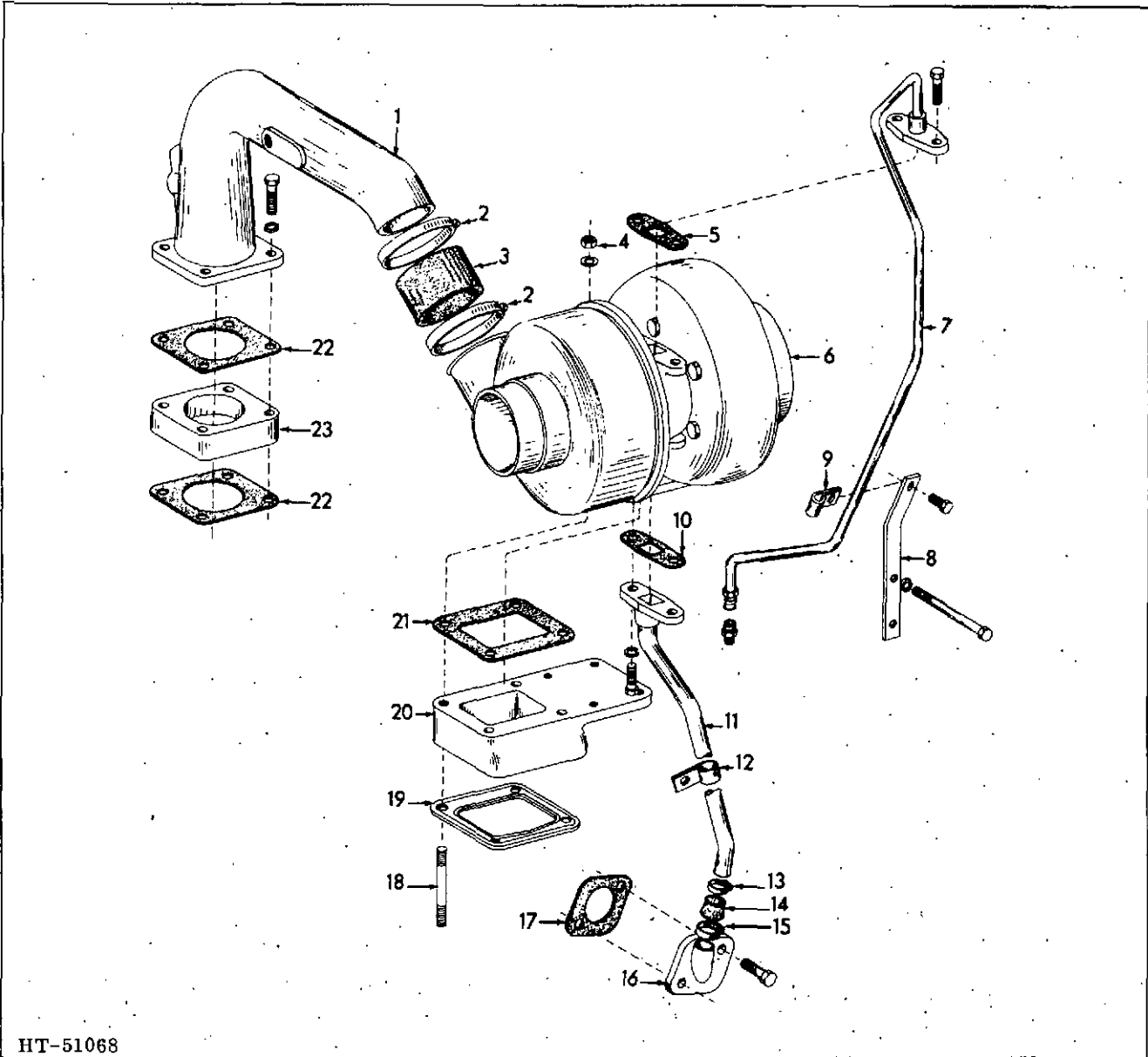
Power Unit & Diesel Electric Set

* Used w/Dry Exhaust Manifold

** Used w/Water Cooled Manifold

USAGE: Prior to Serial No. 11-10469

ITEM	PART NUMBER	QTY. * **	DESCRIPTION	PACKAGE NO.
22	4337544	- 1	SPACER, elbow (to intake manifold) (Prior to Serial No. 11-10006)	
	4379134	- 1	SPACER, elbow (to intake manifold) (Effective w/ Serial No. 11-10006)	



HT-51068

TURBOCHARGER
11000

Power Unit & Diesel Electric Set

* Used w/Dry Exhaust Manifold

** Used w/Water Cooled Manifold

USAGE: Effective w/Serial No. 11-10469

ITEM	PART NUMBER	QTY.		DESCRIPTION	PACKAGE NO.
		*	**		
1	4339585	1	-	ELBOW, turbocharger to intake manifold	
	4337379	-	1	ELBOW, turbocharger to intake manifold	
	919230	4	-	CAPSCREW, 1/2" NC x 1-3/8"	
	915969	-	4	CAPSCREW, 1/2" NC x 3"	
	904208	4	4	LOCKWASHER, 1/2"	
2	4255347	2	2	CLAMP, hose	

TURBOCHARGER (CONTINUED)
11000
Power Unit & Diesel Electric Set
* Used w/Dry Exhaust Manifold
** Used w/Water Cooled Manifold
USAGE: Effective w/Serial No. 11-10469

ITEM	PART NUMBER	QTY. * **	DESCRIPTION	PACKAGE NO.
3	4386591	1 1	HOSE, turbocharger elbow	
4	4385387	4 4	NUT, turbocharger mounting stud	
5	4339533	1 1	GASKET, oil feed tube	4359120
6	4354698	- 1	TURBOCHARGER ASSY., (See Page 84 for Components)	
7	4339838	1 -	TUBE ASSY., oil feed (Incl. NUTS & SLEEVES)	
	4339759	- 1	TUBE ASSY., oil feed (Incl. NUTS & SLEEVES)	
	920700	1 -	CONNECTOR, Imperial, 3/8" tube x 3/8" NPTF	
	919005	- 1	ELBOW, 90°, 3/8" tube x 3/8" NPTF	
	917807	1 1	SLEEVE, 3/8" tube	
	917810	1 1	NUT, flared, 3/8" tube	
	916269	2 2	CAPSCREW, 3/8" NC x 7/8"	
8	904206	2 2	LOCKWASHER, 3/8"	
	4339722	1 -	SUPPORT, clamp, turbocharger oil feed line	
	4339763	- 1	SUPPORT, clamp, turbocharger oil feed line	
	919293	2 -	CAPSCREW, 3/8" NC x 5"	
	919225	- 1	CAPSCREW, 3/8" NC x 1-3/8"	
9	904206	2 1	LOCKWASHER, 3/8"	
	4337590	1 1	CLAMP, oil feed tube	
	911169	1 1	CAPSCREW, 5/16" NC x 5/8"	
10	904205	1 1	LOCKWASHER, 5/16"	
	4339532	1 1	GASKET, tube, oil drain	4359123
11	4339721	1 -	TUBE ASSY., oil drain	
	4339761	- 1	TUBE ASSY., oil drain	
	916269	2 2	CAPSCREW, 3/8" NC x 7/8"	
	904206	2 2	LOCKWASHER, 3/8"	
12	4336620	1 1	CLAMP, oil drain tube	
	919225	1 1	CAPSCREW, 3/8" NC x 1-3/8"	
	904206	1 1	LOCKWASHER, 3/8"	
13	4254991	1 1	CLAMP, adaptor	
14	4379723	1 1	ADAPTOR, oil drain tube to flange	
15	4254968	1 1	CLAMP, adaptor	
16	4337114	1 1	FLANGE, oil drain tube	
	916311	2 2	CAPSCREW, 1/2" NC x 1-1/4"	
	904208	2 2	LOCKWASHER, 1/2"	

Continued

TURBOCHARGER (CONTINUED)

11000

Power Unit & Diesel Electric Set

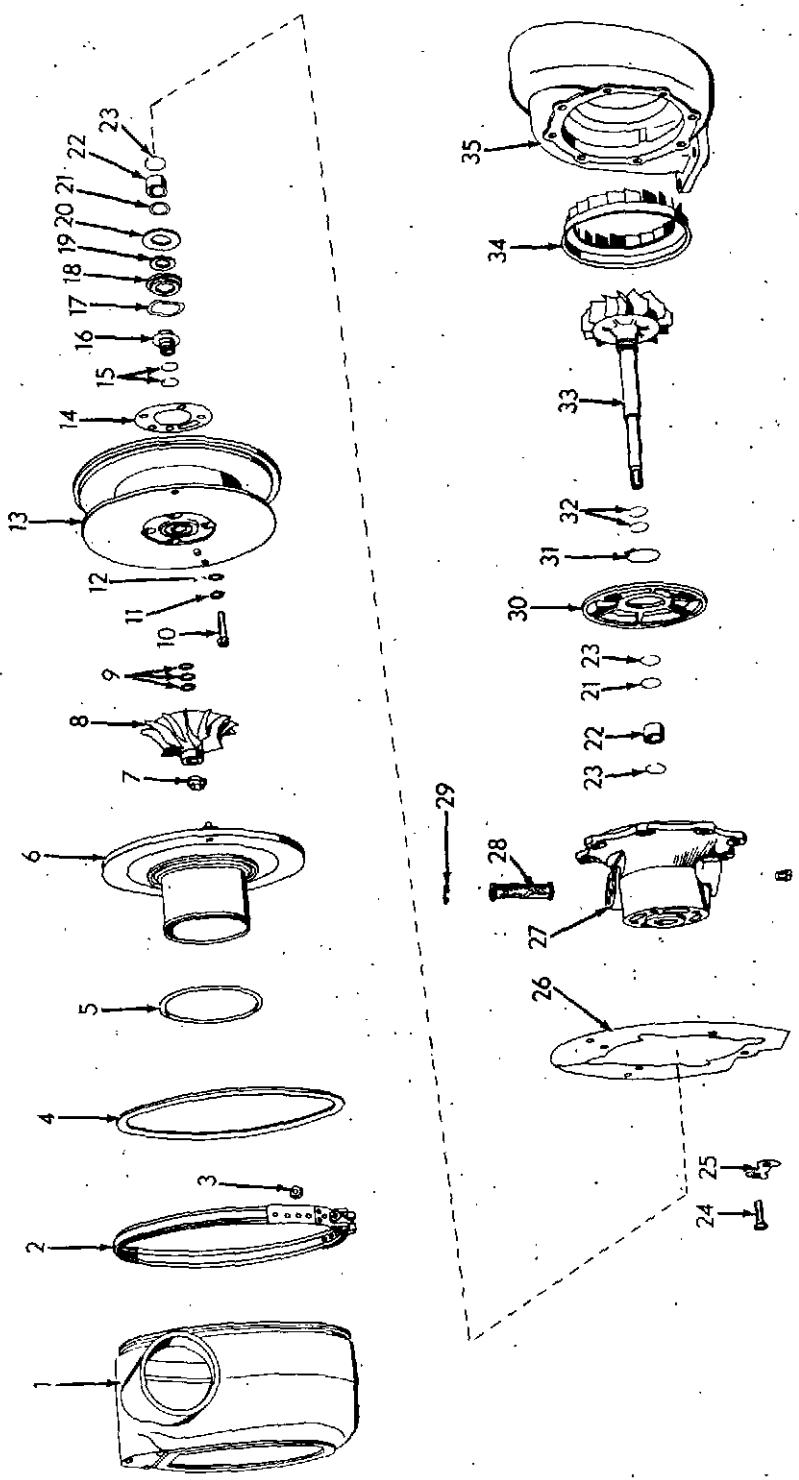
* Used w/Dry Exhaust Manifold

** Used w/Water Cooled Manifold

USAGE: Effective w/Serial No. 11-10469

ITEM	PART NUMBER	QTY. * **	DESCRIPTION	PACKAGE NO.
17	4336436	1 1	GASKET, flange.	4359123
18	4339535	4 -	STUD, turbocharger mounting	
	4339135	- 4	STUD, turbocharger mounting	
	913544	4 4	WASHER, flat, 3/4"	
19	4337279	- 1	GASKET, adaptor to manifold	
20	4339138	- 1	ADAPTOR, turbocharger to manifold	
21	4336558	1 1	GASKET, turbocharger mounting	4359123
22	4349193	1 2	GASKET, elbow, intake manifold	4359123
23	4339139	- 1	SPACER, elbow, intake manifold	

MEMO



HT-50228

TURBOCHARGER PARTS (SCHWITZER)

TURBOCHARGER PARTS (SCHWITZER)

11000

Power Unit & Diesel Electric Set

* First Type

** Second Type

USAGE: See Pages 72 & 73

ITEM	PART NUMBER	QTY. * **	DESCRIPTION	PACKAGE NO.
-	4053598	1 1	CORE ASSY., (Incl. Items 4, 7 thru 23 & 27 thru 33)	
1	4052974	1 1	COVER, compressor	
2	4053010	1 1	"V" CLAMP, cover	
3	4053412	1 1	LOCKNUT, clamp	
4	4052977	1 1	GASKET, compressor (large)	
5	4052975	1 1	O-RING	
6	4053032	1 1	EXTENSION ASSY., compressor (Incl. DOWELS)	
7	4052994	1 1	LOCKNUT, compressor wheel	
8	-----	1 -	WHEEL, compressor (Not Serviced - Order Item 33)	
	4055114	- 1	WHEEL, compressor	
9	4052990	- -	SHIM, .002"	(Use as Required)
	4052991	- -	SHIM, .005"	
	4052992	- -	SHIM, .010"	
10	918310	4 -	CAPSCREW, socket hd., 5/16" NC x 1-1/4"	
	4040369	- 4	CAPSCREW, socket hd.	
11	4053006	4 4	LOCKWASHER	
12	4053007	4 4	WASHER, plain	
13	4053597	1 1	HOUSING ASSY., compressor (Incl. BUSHING & TUBE) (Serviced only as a unit)	
14	4052979	1 1	GASKET	
15	4052987	2 2	RING, piston	
16	4053426	1 1	SLEEVE, flinger	
17	4052989	1 1	SPRING	
18	4053428	1 1	WASHER, thrust (flanged)	
19	4053427	1 1	RING, thrust	
20	4053429	1 1	WASHER, thrust	
21	4053601	2 2	WASHER, thrust, bearing	
22	4053600	2 2	BEARING, sleeve	

Continued

TURBOCHARGER PARTS (SCHWITZER) (CONTINUED)

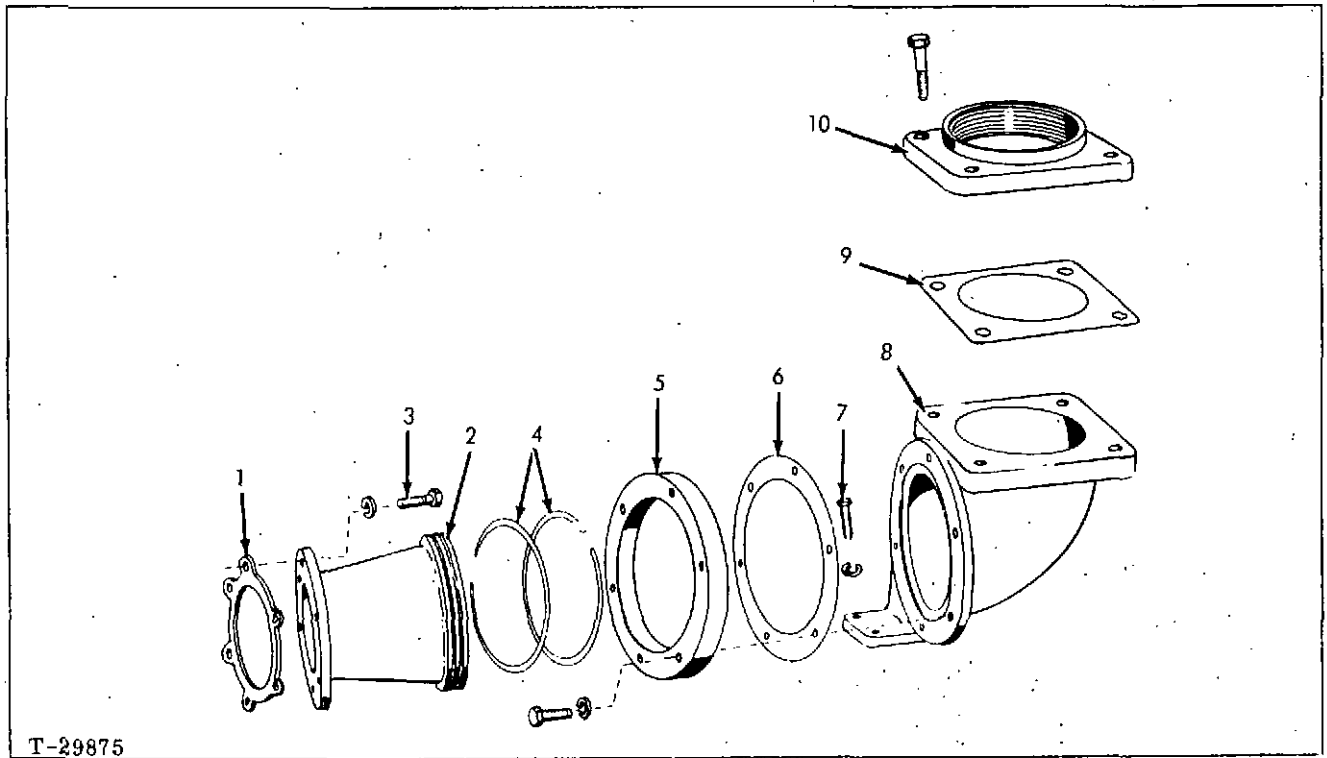
11000

Power Unit & Diesel Electric Set

* First Type

** Second Type

ITEM	PART NUMBER	QTY.		DESCRIPTION	PACKAGE NO.
		*	**		
23	4053602	3	3	RING, snap, bearing	
24	4053008	8	8	CAPSCREW	
25	4053009	4	4	LOCKPLATE	
26	4052997	1	1	SHIELD, external	
27	4053599	1	1	HOUSING ASSY., bearing	
	910230	1	1	PLUG, pipe	
28	-----	1	1	FILTER, (Strainer Assy.)	} (Discontinued - Used on early units only)
29	-----	1	1	WIRE, snap	
30	4053431	1	1	PLATE, back, nozzle	
31	4053003	1	1	RING, retaining	
32	4052988	2	2	RING, piston	
33	4056136	1	-	ROTOR ASSY., (Incl. WHEEL, SHAFT & Items 7, 8, 15, 16, 18, 19 & 32)	
	4056137	-	1	SHAFT & WHEEL ASSY., rotor	
34	4053744	1	1	RING ASSY., nozzle (Part of 4337474 Turbocharger Assy.)	
	4054046	1	1	RING ASSY., nozzle (Part of 4338124 & 4338125 Turbocharger Assy.)	
	4055029	1	1	RING ASSY., nozzle (Part of 4338126 & 4338461 Turbocharger Assy.)	
35	4053005	1	1	HOUSING, turbine	

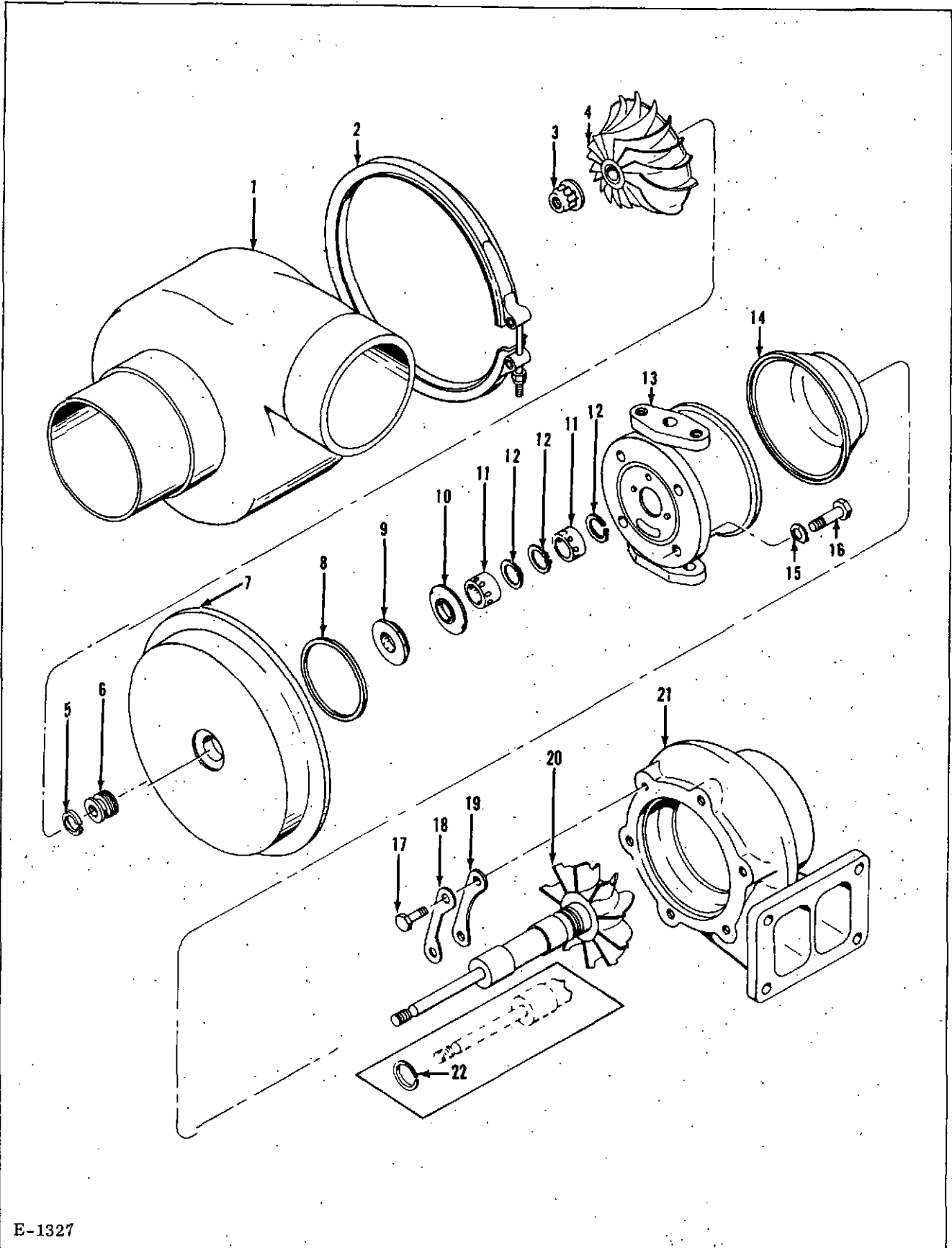


T-29875

EXHAUST DIFFUSER
11000

Power Unit & Diesel Electric Set
USAGE: Prior to Serial No. 11-10469

ITEM	PART NUMBER	QTY.	DESCRIPTION	PACKAGE NO.
1	4379605	1	GASKET, diffuser	4359123
2	4336762	1	DIFFUSER, exhaust	
3	4386037	6	CAPSCREW, diffuser	
	4379572	6	WASHER, flat	
4	4367346	2	RING, sealing	
5	4336763	1	FLANGE, diffuser, outlet	
	914847	6	CAPSCREW, 3/8" NC x 1-1/2"	
	904206	6	LOCKWASHER, 3/8"	
6	4336764	1	GASKET, diffuser outlet flange	4359123
7	4255003	4	CAPSCREW, exhaust outlet elbow	
	904206	4	LOCKWASHER, 3/8"	
8	4336761	1	ELBOW, exhaust outlet	
	4337276	1	ELBOW, exhaust outlet (Used w/Water Cooled Exhaust Manifold) (4337470 & 4338140)	
9	4336775	1	GASKET, exhaust outlet flange	4359123
10	4337284	1	FLANGE, exhaust outlet elbow	
	916315	4	CAPSCREW, 1/2" NC x 2-1/4"	
	904208	4	LOCKWASHER, 1/2"	



E-1327

TURBOCHARGER PARTS (AIRESEARCH)

TURBOCHARGER PARTS (AIRESEARCH) - 4354698
11000
Power Unit & Diesel Electric Set

USAGE: See Page 77

ITEM	PART NUMBER	QTY.	DESCRIPTION	PACKAGE NO.
-	4059050	1	HOUSING ASSY., center (Incl. items 3 thru 16 & 20)	
1	4056303	1	HOUSING ASSY., compressor (Incl. VENTURI)	
2	4056302	1	COUPLING, compressor housing	
3	4056291	1	LOCKNUT, impeller retaining	
4	4056290	1	IMPELLER, compressor	
5	4055195	1	RING, sealing, turbine wheel shaft, compressor end	
6	4056289	1	SPACER, thrust	
7	4059030	1	PLATE ASSY., back (Incl. THRUST WASHER & ORIFICE PIN)	
8	4056300	1	RING, end plate sealing	
9	4059029	1	COLLAR, thrust	
10	4056294	1	BEARING, thrust	
11	4056295	2	BEARING, turbine wheel	
12	4056296	3	RING, snap, bearing retaining	
13	4056286	1	HOUSING ASSY., center (Incl. DOWEL) (Prior to Serial No. 11-12098 f/Dry Exhaust Engines & 11-12601 f/Water Cooled Exhaust Engines)	
	4059024	1	HOUSING ASSY., center (Incl. DOWEL) (Effective w/Serial No. 11-12098 f/Dry Exhaust Engines & 11-12601 f/Water Cooled Exhaust Engines)	
14	4056293	1	SHROUD, heat, turbine end	
15	4056298	4	LOCKPLATE, backplate attaching bolt	
16	4181061	4	BOLT, backplate attaching	
17	4056314	3	BOLT, clamp plate	
18	4056305	3	LOCKPLATE, clamp plate bolt	
19	4056306	3	PLATE, clamp, center housing	
20	4056287	1	WHEEL, turbine (Prior to Serial No. 11-12098 f/Dry Exhaust Engines & 11-12601 f/Water Cooled Exhaust Engines)	
	4059049	1	WHEEL, turbine (Effective w/Serial No. 11-12098 f/Dry Exhaust Engines & 11-12601 f/Water Cooled Exhaust Engines)	

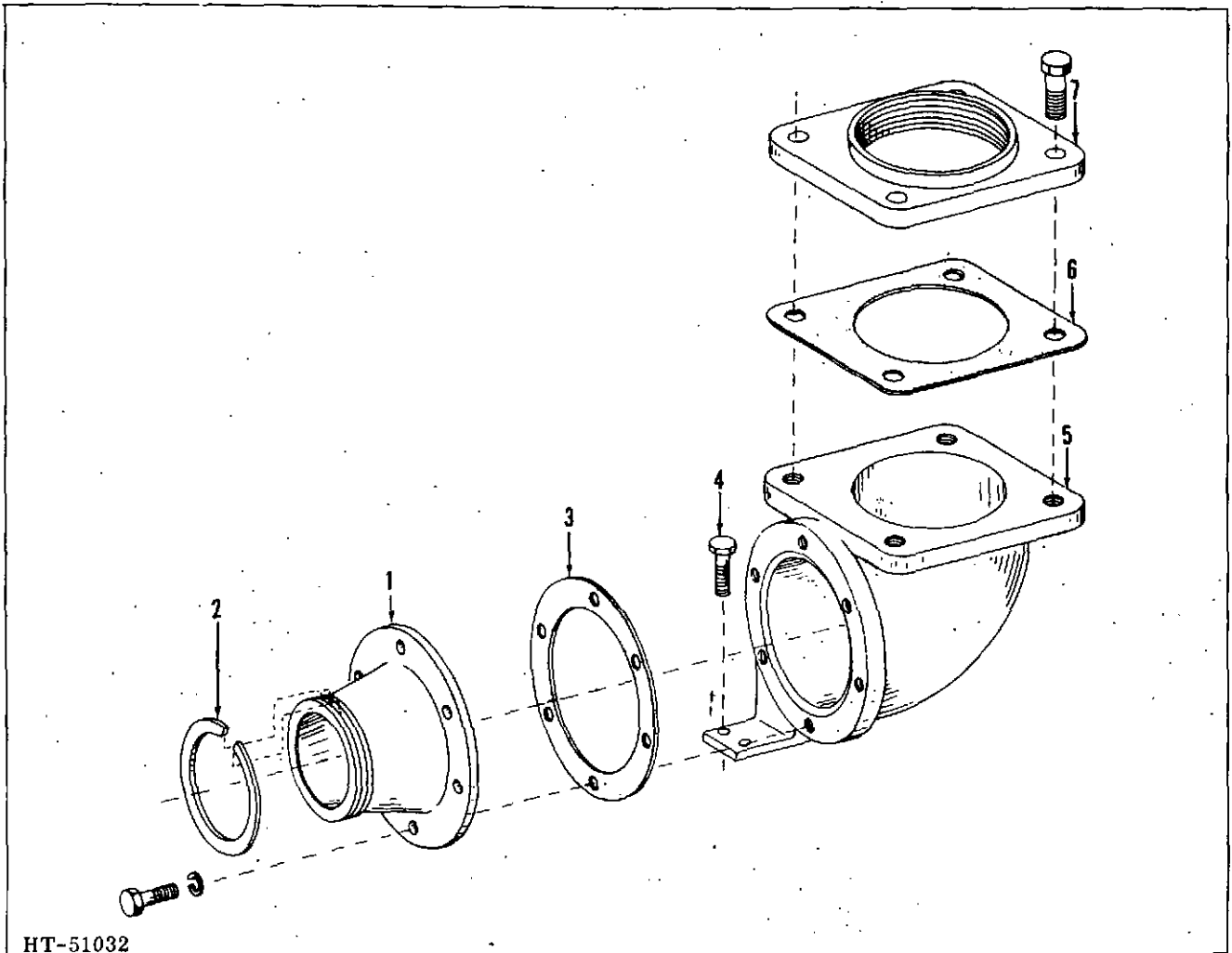
Continued

TURBOCHARGER PARTS (AIRESEARCH) - 4354698 (CONTINUED)

11000

Power Unit & Diesel Electric Set

ITEM	PART NUMBER	QTY.	DESCRIPTION	PACKAGE NO.
21	4059051	1	HOUSING, turbine	
22	4056297	1	RING, sealing, turbine wheel shaft, exhaust end (Prior to Serial No. 11-12098 f/Dry Exhaust Engines & 11-12601 f/Water Cooled Exhaust Engines)	



EXHAUST DIFFUSER

11000

Power Unit & Diesel Electric Set

* Used w/Dry Exhaust Manifold

** Used w/Water Cooled Manifold

USAGE: Effective w/Serial No. 11-10469

ITEM	PART NUMBER	QTY.		DESCRIPTION	PACKAGE NO.
		*	**		
1	4339711	1	1	DIFFUSER, exhaust	
	919224	6	-	CAPSCREW, 3/8" NC x 1-1/8"	
	916272	-	6	CAPSCREW, 3/8" NC x 1-1/4"	
	904206	6	6	LOCKWASHER, 3/8"	
2	4341116	1	1	RING, sealing	
3	4336764	1	1	GASKET, diffuser to elbow	4359123
4	4255003	4	4	CAPSCREW, exhaust elbow outlet	
	904206	4	4	LOCKWASHER, 3/8"	
5	4336761	1	-	ELBOW, exhaust outlet	
	4337276	-	1	ELBOW, exhaust outlet	
	4339733	1	-	ELBOW, exhaust side outlet (4339734)	

Continued

EXHAUST DIFFUSER (CONTINUED)

11000

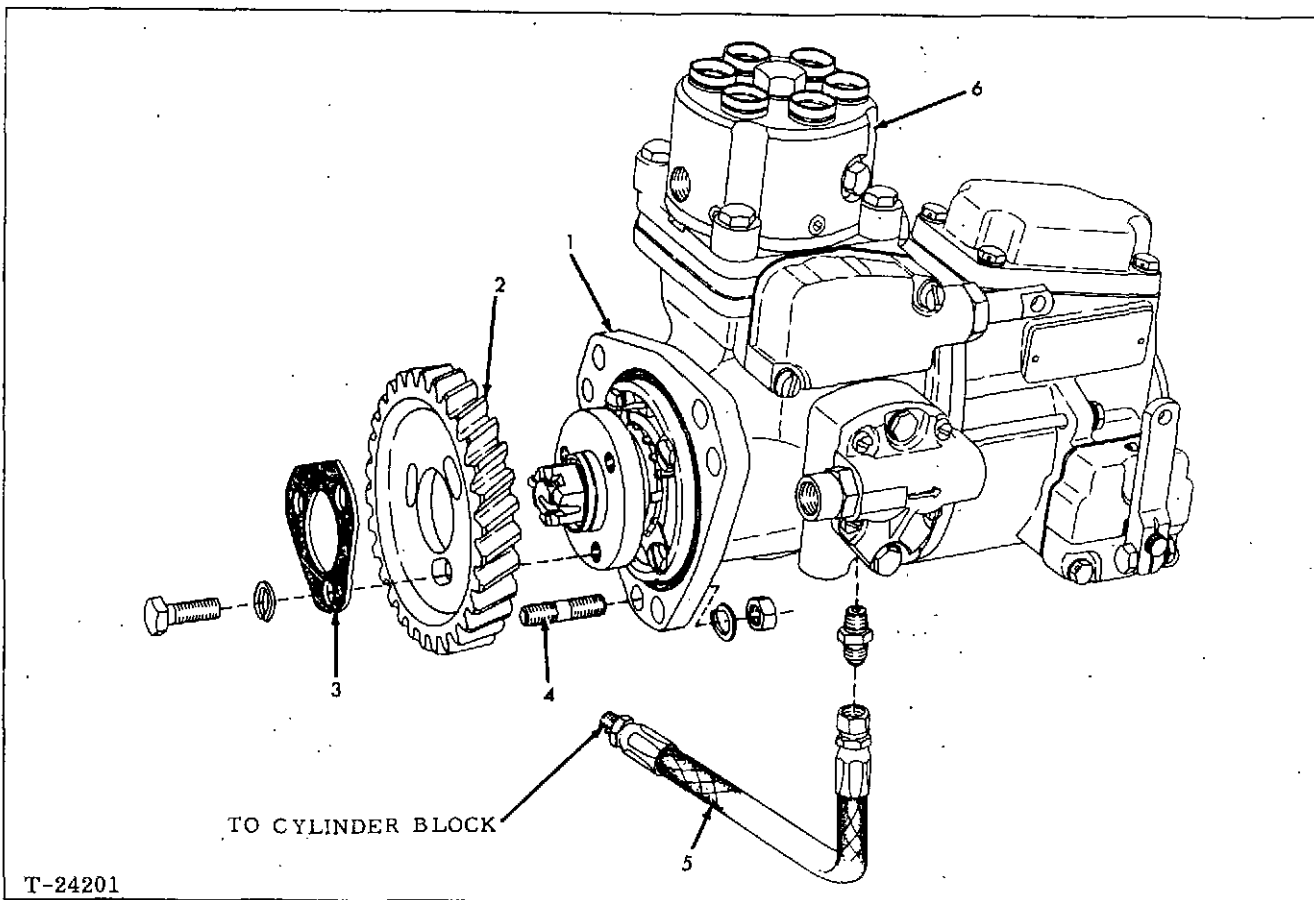
Power Unit & Diesel Electric Set

* Used w/Dry Exhaust Manifold

** Used w/Water Cooled Manifold

USAGE: Effective w/Serial No. 11-10469

ITEM	PART NUMBER	QTY.		DESCRIPTION	PACKAGE NO.
		*	**		
6	4336775	1	1	GASKET, exhaust outlet flange.....	4359123
7	4337284	1	1	FLANGE, exhaust outlet elbow	
	916315	4	4	CAPSCREW, 1/2" NC x 2-1/4"	
	904208	4	4	LOCKWASHER, 1/2"	



FUEL INJECTION PUMP - BOSCH
Power Unit

* 10000 Engine - Prior to Serial No. 118348
** 11000 Engine - Prior to Serial No. 118164

ITEM	PART NUMBER	QTY. * **	DESCRIPTION	PACKAGE NO.
1	4336828	1 -	PUMP ASSY., fuel injection (1200 RPM) (4336996)	
	4336829	1 -	PUMP ASSY., fuel injection (1400 RPM) (4336999)	
	4336830	1 -	PUMP ASSY., fuel injection (1500 RPM) (4337001)	
	4336837	- 1	PUMP ASSY., fuel injection (1500 RPM) (4337002 & 4338137)	
	4336831	1 -	PUMP ASSY., fuel injection (1600 RPM) (4337004)	
	4336838	- 1	PUMP ASSY., fuel injection (1600 RPM) (4337005 & 4338138)	
	4336832	1 -	PUMP ASSY., fuel injection (1800 RPM) (Standard)	
	4336839	- 1	PUMP ASSY., fuel injection (1800 RPM) (Standard)	
	4336833	1 -	PUMP ASSY., fuel injection (2000 RPM) (4337007)	
	4336840	- 1	PUMP ASSY., fuel injection (2000 RPM) (4337008)	
	4336834	1 -	PUMP ASSY., fuel injection (2200 RPM) (4337010)	

Continued

FUEL INJECTION PUMP - BOSCH (CONTINUED)

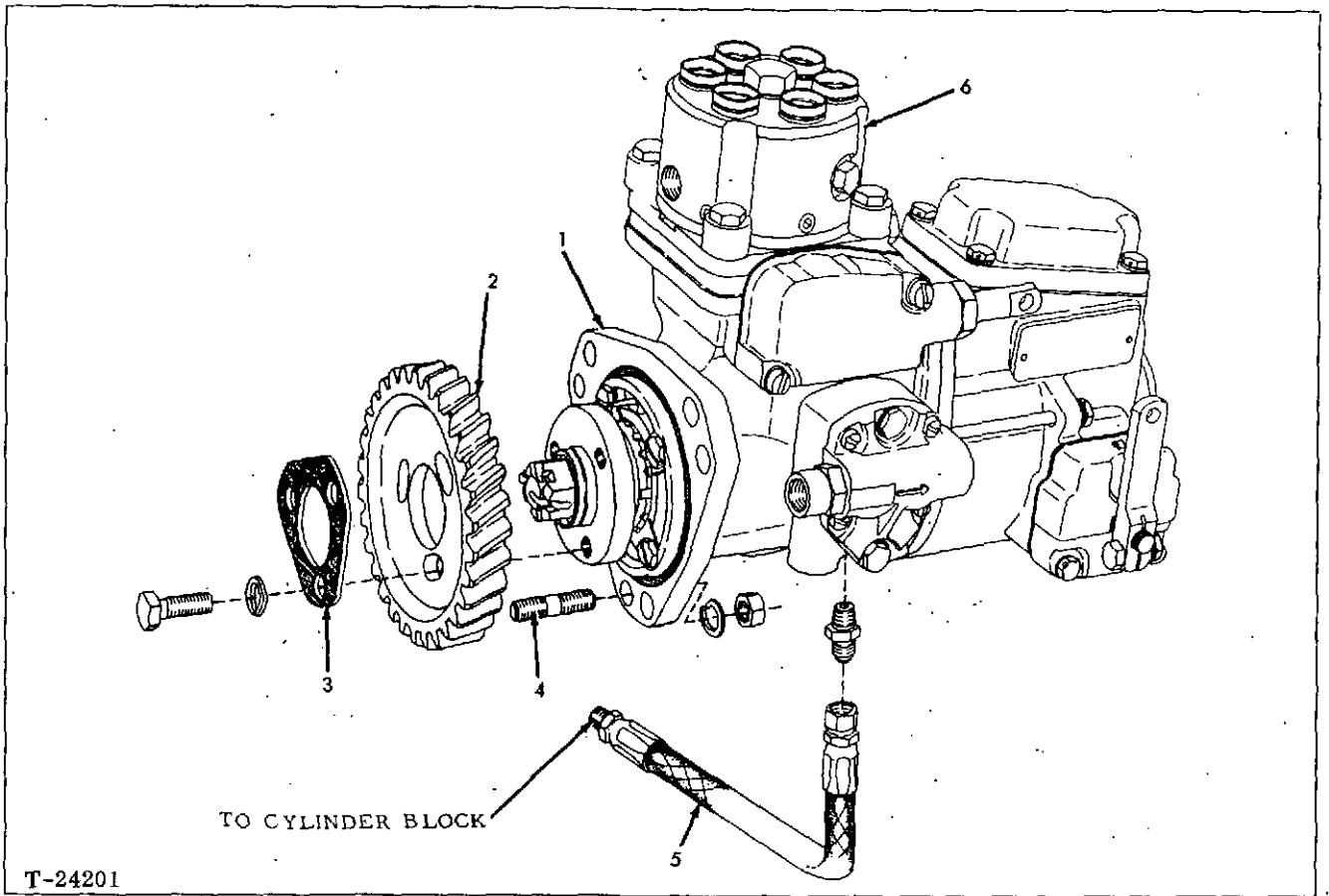
Power Unit

* 10000 Engine - Prior to Serial No. 118348

** 11000 Engine - Prior to Serial No. 118164

ITEM	PART NUMBER	QTY. * **	DESCRIPTION	PACKAGE NO.
1	4336841	- 1	PUMP ASSY., fuel injection (2200 RPM) (4337011) (Std./f Torque Converter Engine and Off-Highway Engine)	
	4336835	1 -	PUMP ASSY., fuel injection (1500 RPM) (4336984)	
	4336842	- 1	PUMP ASSY., fuel injection (1500 RPM) (4336985 & 4338139)	
	4336836	1 -	PUMP ASSY., fuel injection (1800 RPM) (4336987)	
	4336843	- 1	PUMP ASSY., fuel injection (1800 RPM) (4336988)	
2	4348438	1 -	GEAR, injection pump drive (Prior to Serial No. 117262)	
	4337061	1 1	GEAR, injection pump drive (11000 Engine) (Effective w/ Serial No. 117262)	
	916382	3 3	CAPSCREW, 3/8" NF x 7/8"	
	904206	3 3	LOCKWASHER, 3/8"	
3	4347836	1 1	WASHER, serrated, drive gear	
4	4337224	3 3	STUD, injection pump attaching	
	904206	3 3	LOCKWASHER, 3/8"	
	910123	3 3	NUT, 3/8" NF	
5	4335557	1 1	HOSE ASSY., injection pump to block (See Page 371 for Parts)	
	919171	1 1	CONNECTOR, flared, 1/8" PT x 1/4" OD tube	
6	4053400	1 1	HEAD, hydraulic, injection pump (New)	
	4053416	1 1	HEAD, hydraulic, injection pump (Rebuilt)	
	4053417	1 1	HEAD, hydraulic, injection pump (Exchange No.)	

NOTE: Credit will be allowed for the return of a used Head Assembly on the purchase of a rebuilt head. The used head must be in repairable condition, clearly marked with Exchange No. and is subject to factory inspection before credit will be allowed.



FUEL INJECTION PUMP - BOSCH
Power Unit

* 10000 Engine - Effective w/Serial No. 118348
** 11000 Engine - Effective w/Serial No. 118164

ITEM	PART NUMBER	QTY. * **	DESCRIPTION	PACKAGE NO.
1	4337832	1 -	PUMP ASSY., fuel injection (1200 RPM) (4336996)	
	4337833	1 -	PUMP ASSY., fuel injection (1400 RPM) (4336999)	
	4337834	1 -	PUMP ASSY., fuel injection (1500 RPM) (4337001)	
	4337846	- 1	PUMP ASSY., fuel injection (1500 RPM) (4338137 & 4337002)	
	4338485	1 -	PUMP ASSY., fuel injection (1500 RPM) (4338486)	
	4337835	1 -	PUMP ASSY., fuel injection (1600 RPM) (4337004)	
	4337847	- 1	PUMP ASSY., fuel injection (1600 RPM) (4337005 & 4338138)	
	4337836	1 -	PUMP ASSY., fuel injection (1800 RPM) (Standard)	
	4337849	- 1	PUMP ASSY., fuel injection (1800 RPM) (Standard)	
	4337837	1 -	PUMP ASSY., fuel injection (2000 RPM) (4337007)	
	4337852	- 1	PUMP ASSY., fuel injection (2000 RPM) (4337008)	

Continued

FUEL INJECTION PUMP - BOSCH (CONTINUED)

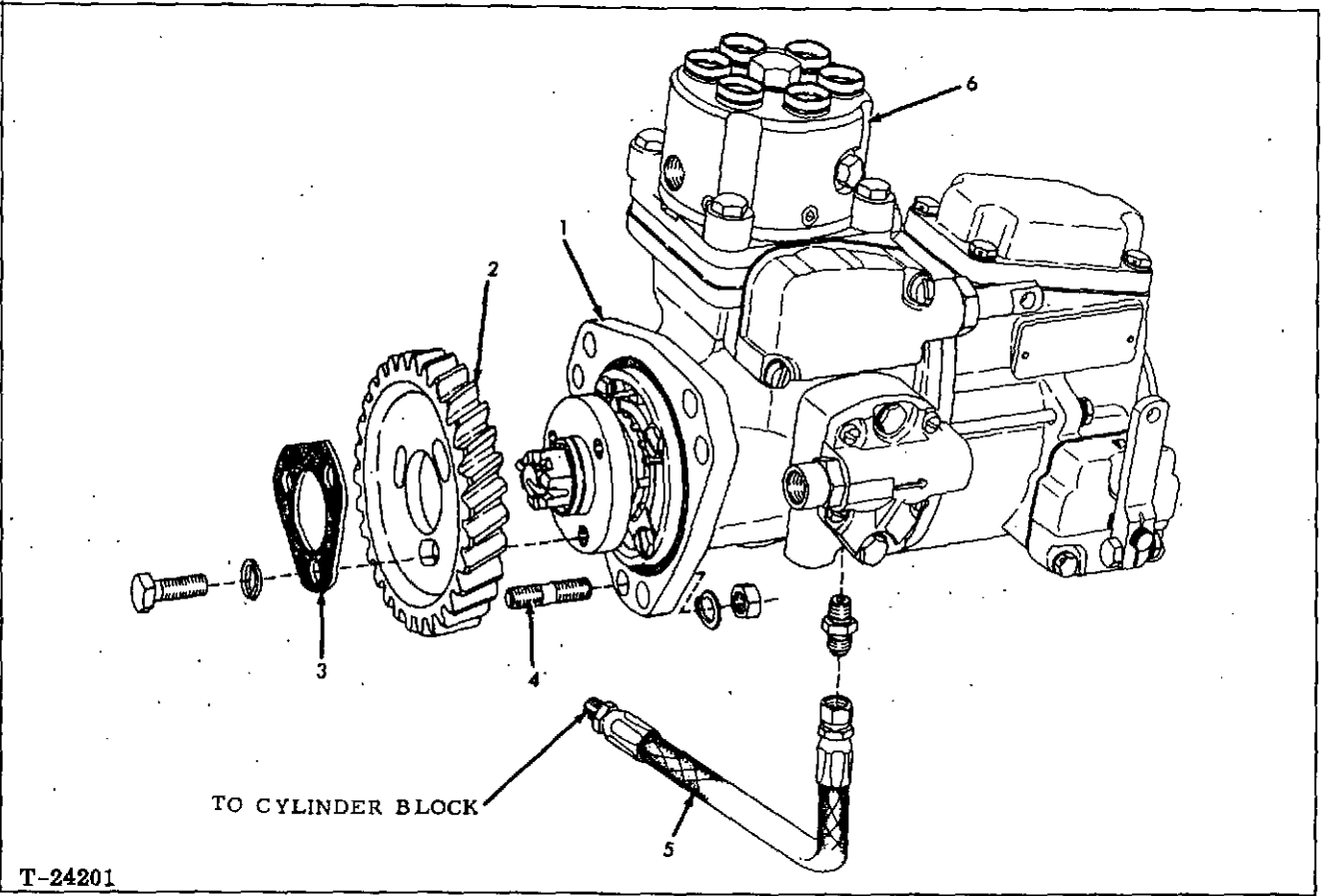
Power Unit

* 10000 Engine - Effective w/Serial No. 118348

** 11000 Engine - Effective w/Serial No. 118164

ITEM	PART NUMBER	QTY. * **	DESCRIPTION	PACKAGE NO.
1	4337838	1 -	PUMP ASSY., fuel injection (2200 RPM) (Standard on 4338040 Engine Assy.) (4337010)	
	4337853	- 1	PUMP ASSY., fuel injection (2200 RPM) (4337011) (Standard f/Torque Converter and Off-Highway Engines)	
	4338466	- 1	PUMP ASSY., fuel injection (1200 RPM) (4338465)	
	4337839	1 -	PUMP ASSY., fuel injection (1500 RPM) (4336984)	
	4337856	- 1	PUMP ASSY., fuel injection (1500 RPM) (4336985 & 4338139)	
	4337840	1 -	PUMP ASSY., fuel injection (1800 RPM) (4336987)	
	4337857	- 1	PUMP ASSY., fuel injection (1800 RPM) (4336988)	
2	4337061	1 1	GEAR, injection pump drive	
	916382	3 3	CAPSCREW, 3/8" NF x 7/8"	
	904206	3 3	LOCKWASHER, 3/8"	
3	4347836	1 1	WASHER, serrated, drive gear	
4	4337224	3 3	STUD, injection pump attaching	
	904206	3 3	LOCKWASHER, 3/8"	
	910123	3 3	NUT, 3/8" NF	
5	4335557	1 1	HOSE ASSY., injection pump to block (See Page 371 for Parts)	
	919171	1 1	CONNECTOR, flared, 1/8" PT x 1/4" OD tube (at Injection Pump)	
6	4054529	1 1	HEAD, hydraulic, injection pump (New)	
	4055083	1 1	HEAD, hydraulic, injection pump (Rebuilt)	
	4055082	1 1	HEAD, hydraulic, injection pump (Exchange No.)	

NOTE: Credit will be allowed for the return of a used Head Assembly on the purchase of a rebuilt head. The used head must be in repairable condition, clearly marked with Exchange No. and is subject to factory inspection before credit will be allowed.



T-24201

FUEL INJECTION PUMP - (BOSCH)
 Diesel Electric Set

* 10000 Engine - Prior to Serial No. 120630
 ** 11000 Engine - Prior to Serial No. 120630

ITEM	PART NUMBER	QTY.		DESCRIPTION	PACKAGE NO.
		*	**		
1	4338111	1	-	PUMP ASSY., fuel injection (1500 RPM) (4430791)	
	4338112	1	-	PUMP ASSY., fuel injection (1800 RPM) (4430790)	
	4338122	-	1	PUMP ASSY., fuel injection (1500 RPM) (4430793)	
	4338123	-	1	PUMP ASSY., fuel injection (1800 RPM) (4430792)	
	4336835	1	-	PUMP ASSY., fuel injection (1500 RPM) (Part of Diesel Electric Set 4430621 & 4430622)	
	4336836	1	-	PUMP ASSY., fuel injection (1800 RPM) (Part of Diesel Electric Set 4430608, 4430619 & 4430620)	
	4336842	-	1	PUMP ASSY., fuel injection (1500 RPM) (Part of Diesel Electric Set 4430626 & 4430627)	
	4336843	-	1	PUMP ASSY., fuel injection (1800 RPM) (Part of Diesel Electric Set 4430606, 4430624 & 4430625)	
2	4337061	1	1	GEAR, injection pump drive	
	916382	3	3	Capscrew, 3/8" NF x 7/8"	
	904206	3	3	LOCKWASHER, 3/8"	

Continued

FUEL INJECTION PUMP - (BOSCH) (CONTINUED)

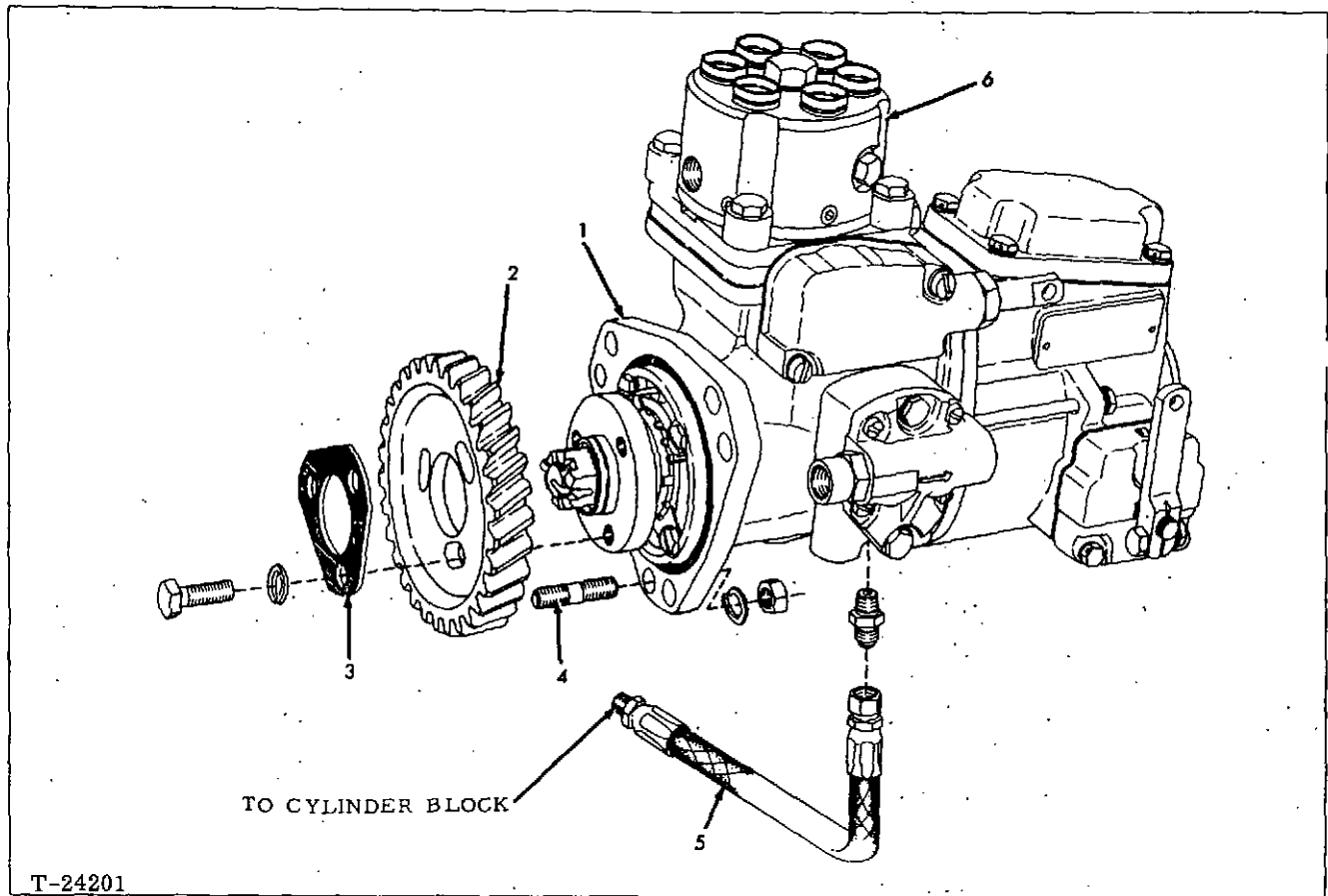
Diesel Electric Set

* 10000 Engine - Prior to Serial No. 120630

** 11000 Engine - Prior to Serial No. 120630

ITEM	PART NUMBER	QTY.		DESCRIPTION	PACKAGE NO.
		*	**		
3	4347836	1	1	WASHER, serrated, drive gear	
4	4337224	3	3	STUD, injection pump attaching	
	904206	3	3	LOCKWASHER, 3/8"	
	910123	3	3	NUT, 3/8" NF	
5	4335557	1	1	HOSE ASSY., injection pump to block (See Page 371 for Parts)	
	919171	1	1	CONNECTOR, flared, 1/8" PT x 1/4" OD tube	
6	4053400	1	1	HEAD, hydraulic, injection pump (New)	
	4053416	1	1	HEAD, hydraulic, injection pump (Rebuilt)	
	4053417	1	1	HEAD, hydraulic, injection pump (Exchange No.)	

NOTE: Credit will be allowed for the return of a used Head assembly on the purchase of a rebuilt head. The used head must be in repairable condition, clearly marked with Exchange No. and is subject to factory inspection before credit will be allowed.



FUEL INJECTION PUMP - BOSCH
Diesel Electric Set

* 10000 Engine - Effective w/Serial No. 120630
** 11000 Engine - Effective w/Serial No. 120630

ITEM	PART NUMBER	QTY. * **	DESCRIPTION	PACKAGE NO.
1	4337839	1 -	PUMP ASSY., fuel injection (1500 RPM) (Part of Diesel Electric Set 4430621 & 4430622)	
	4337840	1 -	PUMP ASSY., fuel injection (1800 RPM) (Part of Diesel Electric Set 4430608, 4430619 & 4430620)	
	4337856	- 1	PUMP ASSY., fuel injection (1500 RPM) (Part of Diesel Electric Set 4430626 & 4430627)	
	4337857	- 1	PUMP ASSY., fuel injection (1800 RPM) (Part of Diesel Electric Set 4430225, 4430606, 4430624 & 4430625)	
2	4337061	1 1	GEAR, injection pump drive	
	916382	3 3	CAPSCREW, 3/8" NF x 7/8"	
	904206	3 3	LOCKWASHER, 3/8"	
3	4347836	1 1	WASHER, serrated, drive gear	
4	4337224	3 3	STUD, injection pump attaching	
	904206	3 3	LOCKWASHER, 3/8"	
	910123	3 3	NUT, 3/8" NF	

Continued

FUEL INJECTION PUMP - BOSCH (CONTINUED)

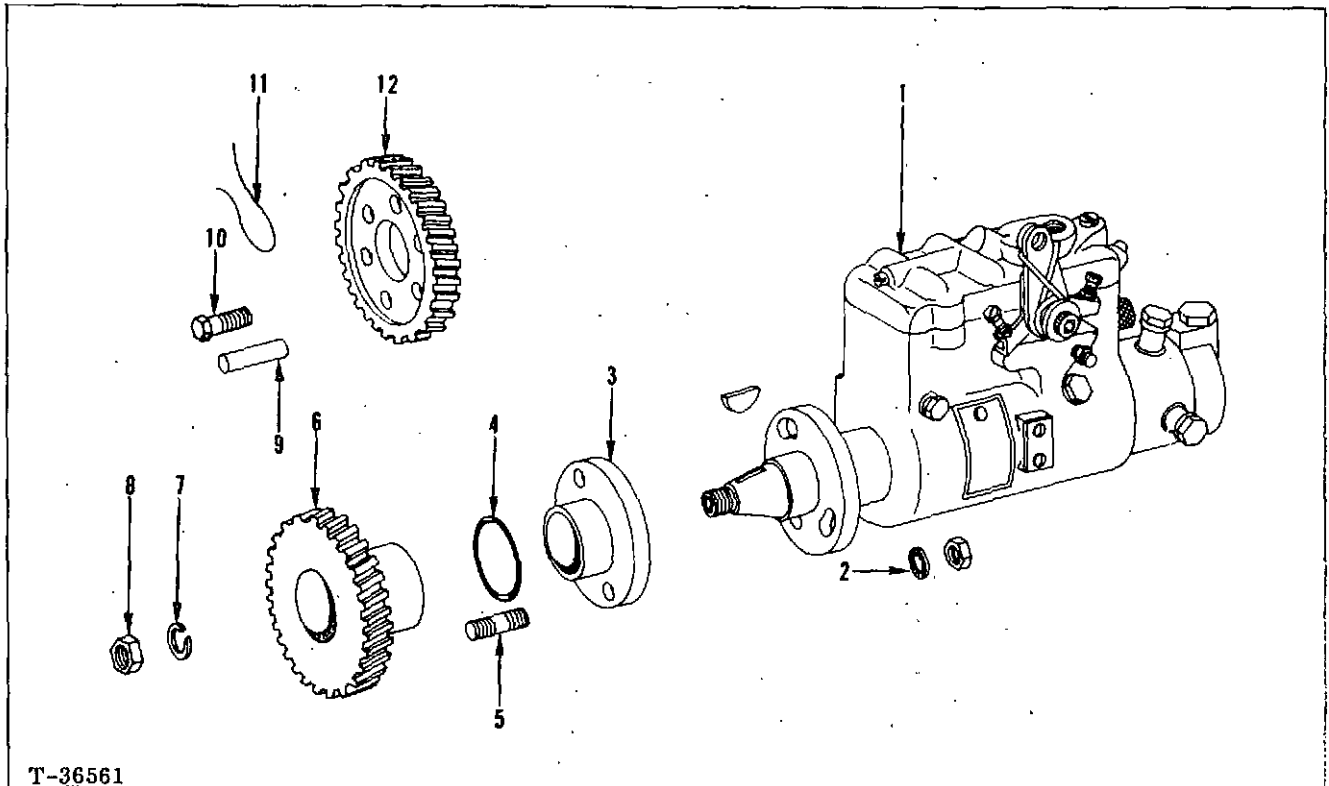
Diesel Electric Set

* 10000 Engine - Effective w/Serial No. 120630

** 11000 Engine - Effective w/Serial No. 120630

ITEM	PART NUMBER	QTY.		DESCRIPTION	PACKAGE NO.
		*	**		
5	4335557	1	1	HOSE ASSY., injection pump to block (See Page 371 for Parts)	
	919171	1	1	CONNECTOR, flared, 1/8" PT x 1/4" OD tube (At Injection Pump)	
6	4054529	1	1	HEAD, hydraulic, injection pump (New)	
	4055083	1	1	HEAD, hydraulic, injection pump (Rebuilt)	
	4055082	1	1	HEAD, hydraulic, injection pump (Exchange No.)	

NOTE: Credit will be allowed for the return of a used Head Assembly on the purchase of a rebuilt head. The used head must be in repairable condition, clearly marked with Exchange No., and is subject to factory inspection before credit will be allowed.



FUEL INJECTION PUMP - ROOSA
 Power Unit & Diesel Electric Set
 * 10000 - Prior to Serial No. 10-13927
 ** 11000 - Prior to Serial No. 11-12822

ITEM	PART NUMBER	QTY. * **	DESCRIPTION	PACKAGE NO.
1	4339070	1 -	PUMP ASSY., fuel injection (1800 RPM) (Standard f/ Power Unit) (Prior to Serial No. 10-12015)	(See NOTE)
	4339772	1 -	PUMP ASSY., fuel injection (1800 RPM) (Standard f/ Power Unit) (Effective w/Serial No. 10-12015)	
	4338992	- 1	PUMP ASSY., fuel injection (1800 RPM) (Standard f/ Power Unit) (Prior to Serial No. 11-10560)	
	4339783	- 1	PUMP ASSY., fuel injection (1800 RPM) (Standard f/ Power Unit) (Effective w/Serial No. 11-10560)	
	4339197	1 -	PUMP ASSY., fuel injection (1800 RPM) (Standard f/ 4430800 & 4430967 Diesel Electric Set) (4339299) (Prior to Serial No. 10-12086)	
	4354288	1 -	PUMP ASSY., fuel injection (1800 RPM) (Standard f/ 4430800 & 4430967 Diesel Electric Set) (4339299) (Effective w/Serial No. 10-12086)	
	4339392	1 -	PUMP ASSY., fuel injection (1500 RPM) (Standard f/ 4430801 & 4430968 Diesel Electric Set) (4339295)	
	4339400	- 1	PUMP ASSY., fuel injection (1800 RPM) (4339288) (Prior to Serial No. 11-10477)	
	4339922	- 1	PUMP ASSY., fuel injection (2000 RPM) (4339288) (Effective w/Serial No. 11-10477)	

Continued

FUEL INJECTION PUMP - ROOSA (CONTINUED)

Power Unit & Diesel Electric Set

* 10000 - Prior to Serial No. 10-13927

** 11000 - Prior to Serial No. 11-12822

ITEM	PART NUMBER	QTY		DESCRIPTION	PACKAGE NO.
		*	**		
	4339404	-	1	PUMP ASSY., fuel injection (1500 RPM) (Standard f/ 4430804 & 4430970 Diesel Electric Set) (4339296 & 4339357)	
	4339380	1	-	PUMP ASSY., fuel injection (1500 RPM) (4339275)	
	4339381	1	-	PUMP ASSY., fuel injection (1500 RPM) (4339277)	
	4339728	1	-	PUMP ASSY., fuel injection (2200 RPM) (4339707) (Prior to Serial No. 10-12080)	
	4339775	1	-	PUMP ASSY., fuel injection (2200 RPM) (4339707) (Effective w/Serial No. 10-12080)	
	4339382	1	-	PUMP ASSY., fuel injection (1600 RPM) (4339279)	
	4339394	-	1	PUMP ASSY., fuel injection (1500 RPM) (4339276 & 4339353)	
	4339396	-	1	PUMP ASSY., fuel injection (1600 RPM) (4339280 & 4339355)	
	4339893	-	1	PUMP ASSY., fuel injection (2200 RPM) (4339887) (Prior to Serial No. 11-10477)	
	4354154	-	1	PUMP ASSY., fuel injection (2200 RPM) (4339887) (Effective w/Serial No. 11-10477)	
1	4339383	1	-	PUMP ASSY., fuel injection (1600 RPM) (4339281)	(See NOTE)
	4339393	1	-	PUMP ASSY., fuel injection (1800 RPM) (4339297)	
	4339798	-	1	PUMP ASSY., fuel injection (1800 RPM) (4339298)	
	4339405	-	1	PUMP ASSY., fuel injection (1800 RPM) (Standard f/ 4430803, 4430969 & 4431020 Diesel Electric Sets) (4339300) (Prior to Serial No. 11-10290)	
	4339781	-	1	PUMP ASSY., fuel injection (1800 RPM) (Standard f/ 4430803, 4430969 & 4431020 Diesel Electric Sets) (4339300) (Effective w/Serial No. 11-10290)	
	4339758	-	1	PUMP ASSY., fuel injection (2100 RPM) (4339747) (Prior to Serial No. 11-10480)	
	4339924	-	1	PUMP ASSY., fuel injection (2100 RPM) (4339747) (Effective w/Serial No. 11-10480)	
	4339395	-	1	PUMP ASSY., fuel injection (1500 RPM) (4339354 & 4339278)	
	4339778	-	1	PUMP ASSY., fuel injection (2000 RPM) (4339767) (Prior to Serial No. 11-12209)	
	4354952	-	1	PUMP ASSY., fuel injection (2000 RPM) (4339767) (Effective w/Serial No. 11-12209)	

FUEL INJECTION PUMP - ROOSA (CONTINUED)

Power Unit & Diesel Electric Set

* 10000 - Prior to Serial No. 10-13927

** 11000 - Prior to Serial No. 11-12822

ITEM	PART NUMBER	QTY. * **	DESCRIPTION	PACKAGE NO.
	4339387	1 -	PUMP ASSY., fuel injection (2200 RPM) (4339289) (Prior to Serial No. 10-12080)	
	4339821	1 -	PUMP ASSY., fuel injection (2200 RPM) (4339289) (Effective w/Serial No. 10-12080)	
	4339401	- 1	PUMP ASSY., fuel injection (2200 RPM) (4339290) (Prior to Serial No. 11-10632)	
	4339777	- 1	PUMP ASSY., fuel injection (2200 RPM) (4339290) (Effective w/Serial No. 11-10632)	
	4339388	1 -	PUMP ASSY., fuel injection (2200 RPM) (4339291) (Prior to Serial No. 10-12080)	
	4339920	1 -	PUMP ASSY., fuel injection (2200 RPM) (4339291) (Effective w/Serial No. 10-12080)	
	4339402	- 1	PUMP ASSY., fuel injection (2200 RPM) (4339292) (Prior to Serial No. 11-10646)	
	4339788	- 1	PUMP ASSY., fuel injection (2200 RPM) (4339292) (Effective w/Serial No. 11-10646)	
	4339389	1 -	PUMP ASSY., fuel injection (1200 RPM) (4339301)	
	4339406	- 1	PUMP ASSY., fuel injection (1200 RPM) (4339302)	
1	4339390	1 -	PUMP ASSY., fuel injection (1200 RPM) (4339303)	(See NOTE)
	4339407	- 1	PUMP ASSY., fuel injection (1200 RPM) (4339304)	
	4339391	1 -	PUMP ASSY., fuel injection (1500 RPM) (4339293)	
	4339403	- 1	PUMP ASSY., fuel injection (1500 RPM) (4339294 & 4339358)	
	4339843	1 -	PUMP ASSY., fuel injection (2200 RPM) (4339854)	
	4339944	1 -	PUMP ASSY., fuel injection (2200 RPM) (4339913)	
	4339397	- 1	PUMP ASSY., fuel injection (1600 RPM) (4339282 & 4339356) (Prior to Serial No. 11-10632)	
	4339822	- 1	PUMP ASSY., fuel injection (1600 RPM) (4339282 & 4339356) (Effective w/Serial No. 11-10632)	
	4339384	1 -	PUMP ASSY., fuel injection (1600 RPM) (4339283) (Prior to Serial No. 10-12080)	
	4339773	1 -	PUMP ASSY., fuel injection (1600 RPM) (4339283) (Effective w/Serial No. 10-12080)	
	4339398	- 1	PUMP ASSY., fuel injection (1800 RPM) (4339284) (Prior to Serial No. 11-10632)	
	4339776	- 1	PUMP ASSY., fuel injection (1800 RPM) (4339284) (Effective w/Serial No. 11-10632)	

Continued

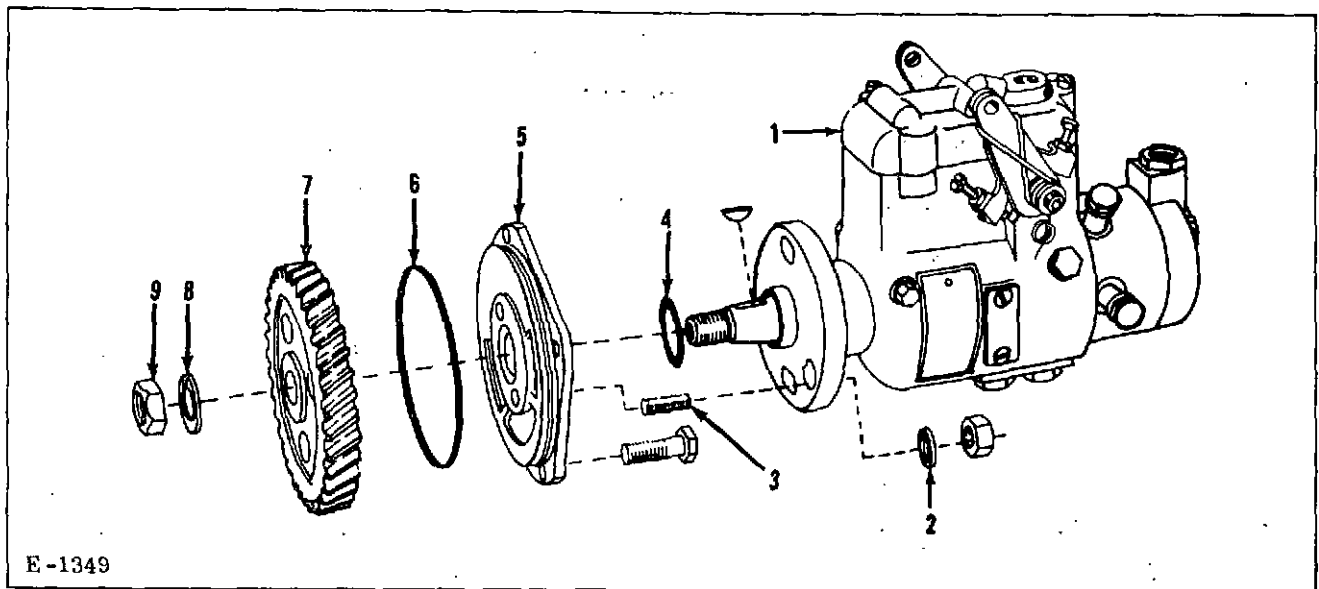
FUEL INJECTION PUMP - ROOSA (CONTINUED)

Power Unit & Diesel Electric Set

* 10000 - Prior to Serial No. 10-13927

** 11000 - Prior to Serial No. 11-12822

ITEM	PART NUMBER	QTY * **	DESCRIPTION	PACKAGE NO.
1	4339385	1 -	PUMP ASSY., fuel injection (2000 RPM) (4339285)	(See NOTE)
	4339853	1 -	PUMP ASSY., fuel injection (1200 RPM) (4339856) (Prior to Serial No. 10-12272)	
	4354397	1 -	PUMP ASSY., fuel injection (1200 RPM) (4339856) (Effective w/Serial No. 10-12272)	
	4354171	1 -	PUMP ASSY., fuel injection (1400 RPM) (4354152)	
	4339634	- 1	PUMP ASSY., fuel injection (1800 RPM) (4431094)	
	4354578	- 1	PUMP ASSY., fuel injection (1800 RPM) (4354577)	
	4339399	- 1	PUMP ASSY., fuel injection (2000 RPM) (4339286)	
	4339386	1 -	PUMP ASSY., fuel injection (2000 RPM) (4339287) (Prior to Serial No. 10-12080)	
	4339791	1 -	PUMP ASSY., fuel injection (2000 RPM) (4339287) (Effective w/Serial No. 10-12080)	
	4339408	- 1	PUMP ASSY., fuel injection (2200 RPM) (4339305)	
	4339410	1 -	PUMP ASSY., fuel injection (2000 RPM) (4339306)	
4339409	- 1	PUMP ASSY., fuel injection (2000 RPM) (4339307)		
NOTE: Consult your local ALLIS-CHALMERS Dealer for Pump Service.				
2	4371718	2 2	WASHER, pump retaining (to stud)	(Part of Fuel Injection Pump)
	910123	2 2	NUT, hex., 3/8" NF	
3	4338382	1 1	ADAPTOR, pump	
4	4255219	1 1	O-RING, adaptor	
5	4338390	2 2	STUD, pump mounting	
	4338383	1 1	GEAR, pump driven (Prior to Serial No. 10-12015 f/10000 Engine)	
6	4339799	1 -	GEAR, pump driven (Effective w/Serial No. 10-12015 f/10000 Engine)	
	910224	1 1	KEY, woodruff, 5/32" x 5/8"	
7	4048598	1 1	LOCKWASHER, pump shaft	
8	4048597	1 1	NUT, lock, pump shaft	
9	917552	1 1	PIN, dowel, drive gear, 5/16" x 3/4" (Prior to Serial No. 10-11462 & 11-10204)	
10	4336038	2 2	CAPSCREW, drive gear	
11	4509035	1 1	LOCKWIRE	
12	4335977	1 1	GEAR, drive	



FUEL INJECTION PUMP - ROOSA
 Power Unit & Diesel Electric Set
 * 10000 - Effective w/Serial No. 10-13927
 ** 11000 - Effective w/Serial No. 11-12822

ITEM	PART NUMBER	QTY		DESCRIPTION	PACKAGE NO.
		*	**		
	4354797	1	-	PUMP ASSY., fuel injection (1800 RPM) (Incl. KEY, Items 4, 8 & 9) (Standard f/Power Unit)	
	4354798	-	1	PUMP ASSY., fuel injection (1800 RPM) (Incl. KEY, Items 4, 8 & 9) (Standard f/Power Unit)	
	4354799	-	1	PUMP ASSY., fuel injection (1800 RPM) (Incl. KEY, Items 4, 8 & 9) (Standard f/4430803 & 4430969 Diesel Electric Set)	
	4357896	-	1	PUMP ASSY., fuel injection (1500 RPM) (Incl. KEY, Items 4, 8 & 9) (Standard f/4430804 & 4430970 Diesel Electric Set)	
	4357873	1	-	PUMP ASSY., fuel injection (1200 RPM) (Incl. KEY, Items 4, 8 & 9) (4357903)	
	4357874	1	-	PUMP ASSY., fuel injection (1500 RPM) (Incl. KEY, Items 4, 8 & 9) (4357904)	
1	4357875	1	-	PUMP ASSY., fuel injection (1600 RPM) (Incl. KEY, Items 4, 8 & 9) (4357905)	(See NOTE)
	4357876	1	-	PUMP ASSY., fuel injection (2000 RPM) (Incl. KEY, Items 4, 8 & 9) (4357906)	
	4357877	1	-	PUMP ASSY., fuel injection (2000 RPM) (Incl. KEY, Items 4, 8 & 9) (4357907)	
	4357878	1	-	PUMP ASSY., fuel injection (2200 RPM) (Incl. KEY, Items 4, 8 & 9) (4357908)	
	4357879	1	-	PUMP ASSY., fuel injection (1400 RPM) (Incl. KEY, Items 4, 8 & 9) (4357909)	
	4357880	1	-	PUMP ASSY., fuel injection (1500 RPM) (Incl. KEY, Items 4, 8 & 9) (4357910)	

Continued

FUEL INJECTION PUMP - ROOSA (CONTINUED)

Power Unit & Diesel Electric Set

* 10000 - Effective w/Serial No. 10-13927

** 11000 - Effective w/Serial No. 11-12822

ITEM	PART NUMBER	QTY		DESCRIPTION	PACKAGE NO.
		*	**		
	4357856	1	-	PUMP ASSY., fuel injection (1600 RPM) (Incl. KEY, Items 4, 8 & 9) (4357911)	
	4357857	1	-	PUMP ASSY., fuel injection (1800 RPM) (Incl. KEY, Items 4, 8 & 9) (4357912)	
	4357858	1	-	PUMP ASSY., fuel injection (2200 RPM) (Incl. KEY, Items 4, 8 & 9) (4357913)	
	4357859	1	-	PUMP ASSY., fuel injection (2200 RPM) (Incl. KEY, Items 4, 8 & 9) (4357914)	
	4357860	1	-	PUMP ASSY., fuel injection (2200 RPM) (Incl. KEY, Items 4, 8 & 9) (4357915)	
	4357861	1	-	PUMP ASSY., fuel injection (1200 RPM) (Incl. KEY, Items 4, 8 & 9) (4357916)	
	4357871	1	-	PUMP ASSY., fuel injection (1800 RPM) (Incl. KEY, Items 4, 8 & 9) (4357917)	
	4357862	1	-	PUMP ASSY., fuel injection (2200 RPM) (Incl. KEY, Items 4, 8 & 9) (4357926)	
	4357881	1	1	PUMP ASSY., fuel injection (1500 RPM) (Incl. KEY, Items 4, 8 & 9) (4357927 & 4357949)	
	4357882			PUMP ASSY., fuel injection (1600 RPM) (Incl. KEY, Items 4, 8 & 9) (4357928 & 4357950)	
1	4357883	-	1	PUMP ASSY., fuel injection (2000 RPM) (Incl. KEY, Items 4, 8 & 9) (4357929)	(See NOTE)
	4357884	-	1	PUMP ASSY., fuel injection (2200 RPM) (Incl. KEY, Items 4, 8 & 9) (4357930)	
	4357885	-	1	PUMP ASSY., fuel injection (2000 RPM) (Incl. KEY, Items 4, 8 & 9) (4357931)	
	4357886	-	1	PUMP ASSY., fuel injection (2200 RPM) (Incl. KEY, Items 4, 8 & 9) (4357932)	
	4357887	-	1	PUMP ASSY., fuel injection (1800 RPM) (Incl. KEY, Items 4, 8 & 9) (4357933)	
	4357888	1	1	PUMP ASSY., fuel injection (1500 RPM) (Incl. KEY, Items 4, 8 & 9) (4357934 & 4357951)	
	4357889	1	1	PUMP ASSY., fuel injection (1600 RPM) (Incl. KEY, Items 4, 8 & 9) (4357935 & 4357952)	
	4357890	-	1	PUMP ASSY., fuel injection (1800 RPM) (Incl. KEY, Items 4, 8 & 9) (4357936)	
	4357891	-	1	PUMP ASSY., fuel injection (2000 RPM) (Incl. KEY, Items 4, 8 & 9) (4357937)	
	4357892	-	1	PUMP ASSY., fuel injection (2100 RPM) (Incl. KEY, Items 4, 8 & 9) (4357938)	

Continued

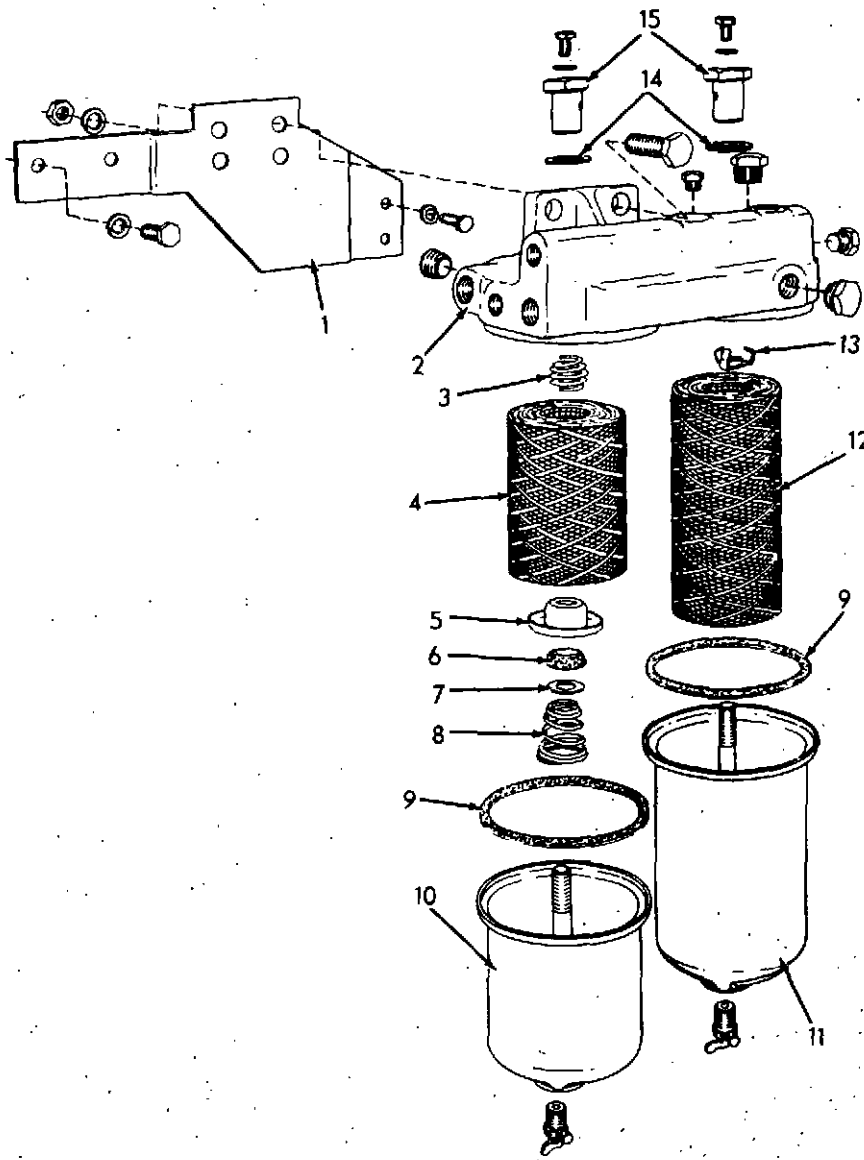
FUEL INJECTION PUMP - ROOSA (CONTINUED)

Power Unit & Diesel Electric Set

* 10000 - Effective w/Serial No. 10-13927

** 11000 - Effective w/Serial No. 11-12822

ITEM	PART NUMBER	QTY * **	DESCRIPTION	PACKAGE NO.
1	4357893	- 1	PUMP ASSY., fuel injection (2200 RPM) (Incl. KEY, Items 4, 8 & 9) (4357939)	(See NOTE)
	4357894	- 1	PUMP ASSY., fuel injection (1800 RPM) (Incl. KEY, Items 4, 8 & 9) (4357940)	
	4357895	- 1	PUMP ASSY., fuel injection (1200 RPM) (Incl. KEY, Items 4, 8 & 9) (4357941)	
	4357896	1 1	PUMP ASSY., fuel injection (1500 RPM) (Incl. KEY, Items 4, 8 & 9) (4357942 & 4357953)	
	4357897	- 1	PUMP ASSY., fuel injection (1800 RPM) (Incl. KEY, Items 4, 8 & 9) (4357943)	
	4357898	- 1	PUMP ASSY., fuel injection (2200 RPM) (Incl. KEY, Items 4, 8 & 9) (4357944)	
	4359174	- 1	PUMP ASSY., fuel injection (1800 RPM) (Incl. KEY, Items 4, 8 & 9) (4359179)	
	4359218	1 -	PUMP ASSY., fuel injection (1500 RPM) (Incl. KEY, Items 4, 8 & 9) (4359217)	
	910224	1 1	KEY, woodruff, 5/32" x 5/8"	
NOTE: Consult your local ALLIS-CHALMERS Dealer for Pump Service.				
2	4371718	2 2	WASHER, serrated	
	910123	2 2	NUT, 3/8" NF	
3	4344938	2 2	STUD, pump mounting	
4	4048596	1 1	SEAL, pilot tube	
5	4354954	1 1	COVER, gear (to front housing)	
	920473	5 5	CAPSCREW, Nylok, 3/8" NC x 3/4"	
6	924139	1 1	O-RING, gear cover, 6-1/4" ID	
7	4354362	1 -	GEAR, pump drive	
	4339851	- 1	GEAR, pump drive	
8	4048598	1 1	LOCKWASHER	
9	4048597	1 1	NUT, gear retaining	



HT-50047

FUEL FILTER
10000 & 11000

Power Unit & Diesel Electric Set

* Prior to Serial No. 10-11917 & 11-10395

** Effective w/Serial No. 10-11917 & 11-10395 thru 10-13926 & 11-12821

ITEM	PART NUMBER	QTY.		DESCRIPTION	PACKAGE NO.
		*	**		
1	4336589	1	1	BRACKET, filter mounting	
	916271	2	2	CAPSCREW, 3/8" NC x 1"	
	904206	2	2	LOCKWASHER, 3/8"	
	915813	2	2	CAPSCREW, 5/16" NC x 7/8"	
	904205	2	2	LOCKWASHER, 5/16"	

FUEL FILTER (CONTINUED)

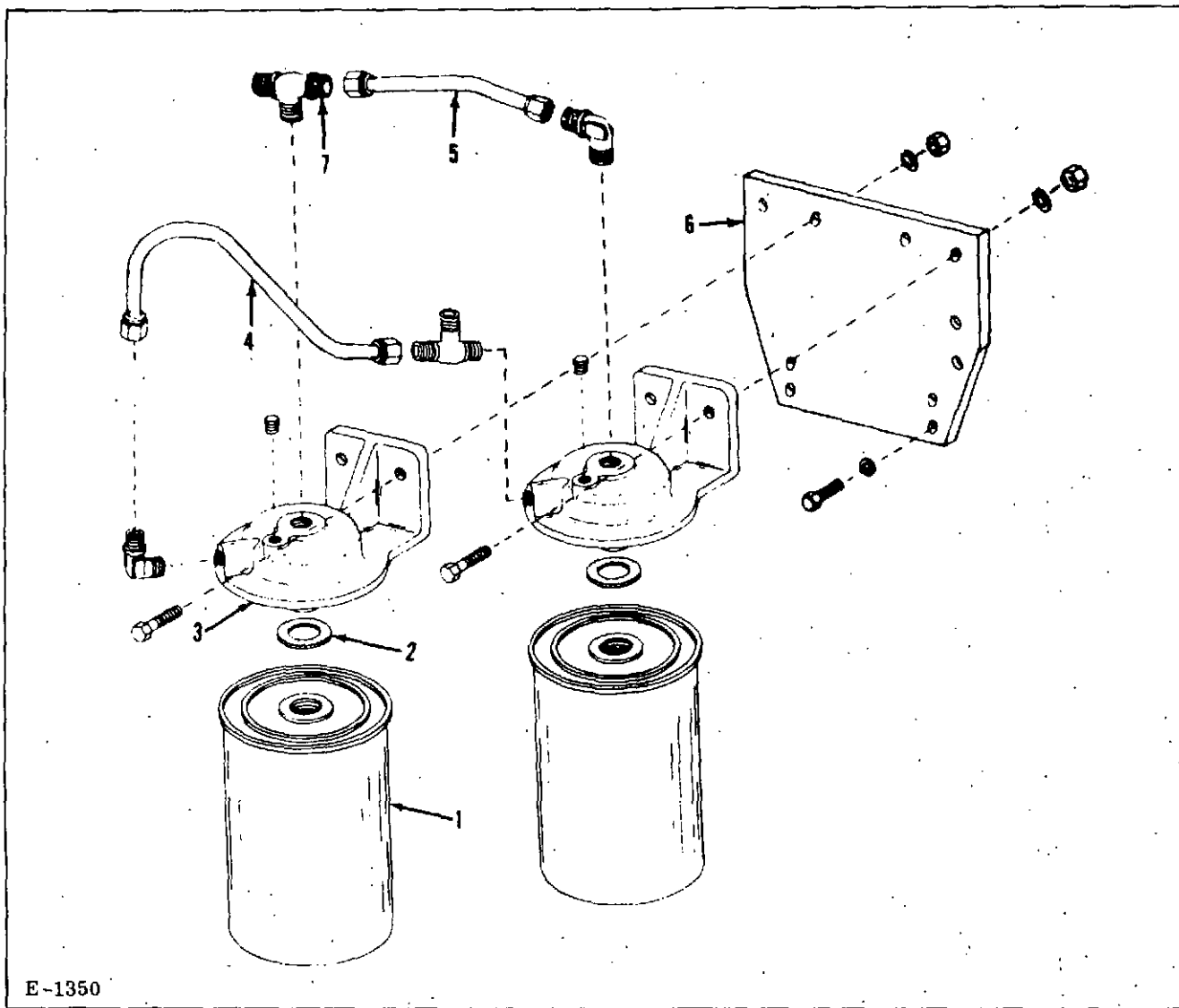
10000 & 11000

Power Unit & Diesel Electric Set

* Prior to Serial No. 10-11917 & 11-10395

** Effective w/Serial No. 10-11917 & 11-10395 thru 10-13926 & 11-12821

ITEM	PART NUMBER	QTY. * *	DESCRIPTION	PACKAGE NO.
2	4377259	1 -	HEAD ASSY., (Incl. PLUGS indented below)	
	4389051	- 1	HEAD ASSY., (Incl. PLUGS indented below)	
	919134	2 2	PLUG, pipe, hex. hd., 1/8" NPT	
	919840	1 -	PLUG, pipe, hex. hd., 1/4" NPT	
	920333	1 2	PLUG, pipe, hex. hd., 3/8" NPT	
	918887	2 2	PLUG, pipe, hex. socket, 3/8" NPT	
	919230	2 2	CAPSCREW, 1/2" NC x 1-3/8"	
	904208	2 2	LOCKWASHER, 1/2"	
	910325	2 2	NUT, 1/2" NC	
	901827	- 2	BUSHING, 3/8" tube x 1/4" NPT	
3	4055913	1 1	GUIDE, element centering	
4	4056633	1 1	ELEMENT KIT, secondary filter (Incl. Items 6, 7 & 9)	
5	4052173	1 1	PLATE, element seating	
6	-----	1 1	GASKET, element seat plate (Furnished only as part of Item 4)	
7	-----	1 1	WASHER, seating plate gasket (Furnished only as part of Item 4)	
8	4052174	1 1	SPRING, filter	
9	4040013	2 2	GASKET, filter shell	
10	4354282	1 1	SHELL, secondary filter (Incl. Items 3 thru 9, 14 & 15)	
	912415	1 1	COCK, drain, 1/4" NPT	
11	4354416	1 1	SHELL, primary filter (Incl. Items 9, 12, 13, 14 & 15)	
	915433	1 1	COCK, drain, 1/4" NPT	
12	4055563	1 1	ELEMENT KIT, primary filter (Incl. Item 9)	
13	4051485	1 1	GUIDE, element centering	
14	4051484	2 2	GASKET, shell retaining nut	
15	4051483	2 -	NUT, shell retaining	
	4389113	- 2	NUT, shell retaining	
	919288	2 2	CAPSCREW, 1/4" NC x 3/8"	
	914686	2 2	WASHER, plain, copper, 1/4" ID	



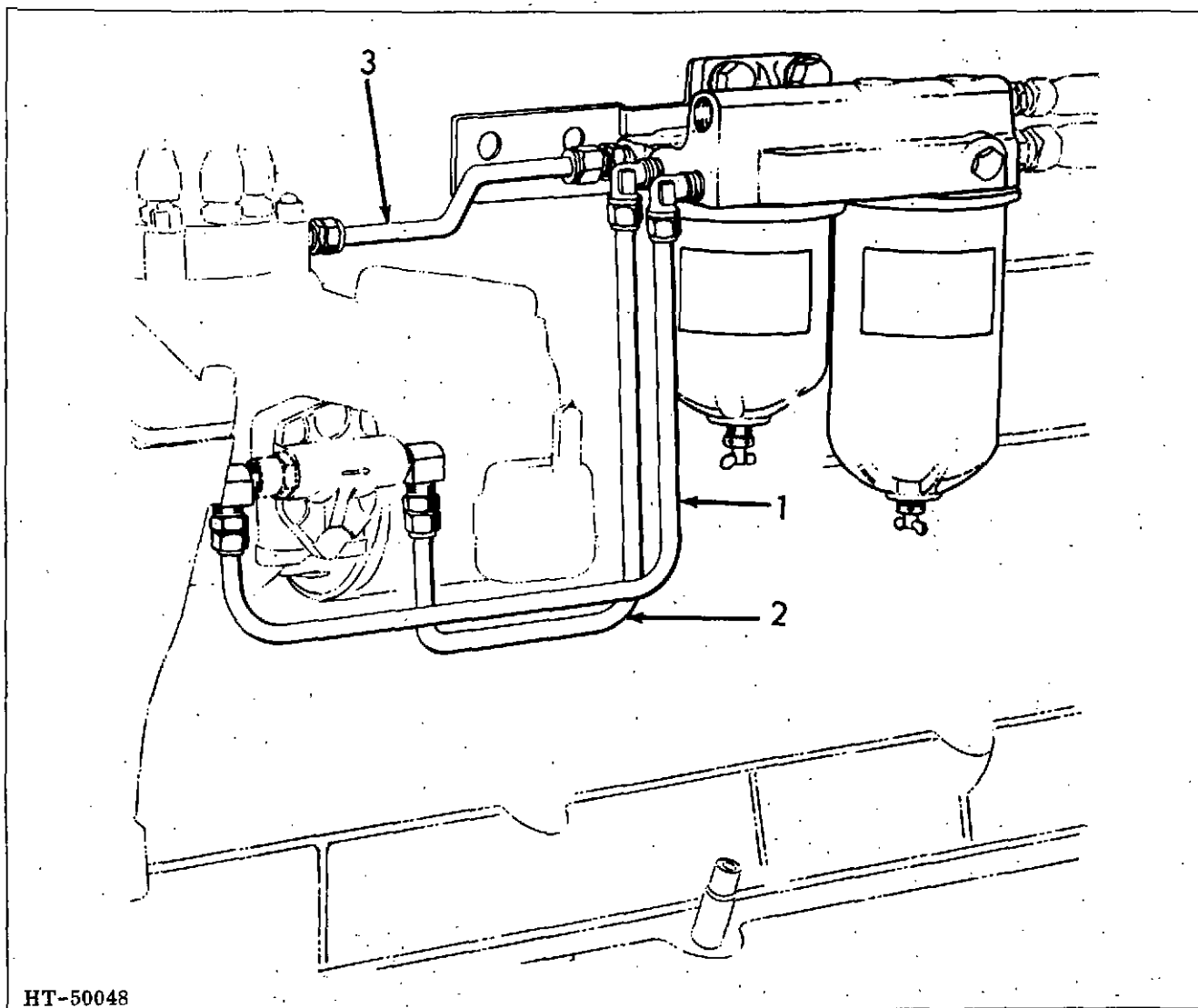
E-1350

FUEL FILTER
 10000 & 11000
 Power Unit & Diesel Electric Set
 (Effective w/Serial No. 10-13927 & 11-12822)

ITEM	PART NUMBER	QTY.	DESCRIPTION	PACKAGE NO.
1	4025230	2	ELEMENT, fuel filter (Incl. item 2)	
2	4254761	2	O-RING, filter element	
3	4025229	2	BASE ASSY., fuel filter (Incl. INSERT) (serviced only as a complete unit)	
	916197	4	CAPSCREW, 7/16" NC x 1-1/4"	
	904207	4	LOCKWASHER, 7/16"	
	912201	4	NUT, 7/16" NC	
	919134	2	PLUG, pipe, hex. head, 1/8" NPTF	
4	4354393	1	TUBE ASSY., base connection (lower) (Incl. NUTS & SLEEVES)	
	917810	2	NUT, 3/8" OD tube	
	917807	2	SLEEVE, 3/8" OD tube	
	919005	1	ELBOW, 90°, 3/8" OD tube x 3/8" NPTF	

FUEL FILTER (CONTINUED)
 10000 & 11000
 Power Unit & Diesel Electric Set
 (Effective w/Serial No. 10-13927 & 11-12822)

ITEM	PART NUMBER	QTY.	DESCRIPTION	PACKAGE NO.
5	4354391	1	TUBE ASSY., base connection (upper) (Incl. NUTS & SLEEVES)	
	917810	2	NUT, 3/8" OD tube	
	917807	2	SLEEVE, 3/8" OD tube	
	919005	1	ELBOW, 90°, 3/8" OD tube x 3/8" NPTF	
6	4357450	1	BRACKET, filter base mounting (f/Power Units)	
	-----	1	BRACKET, filter base mounting (f/DES See HAND PRIMER PUMP Group)	
	914392	4	CAPSCREW, 5/16" NC x 1"	
	904205	4	LOCKWASHER, 5/16"	
7	4354394	2	TEE, tube connection (upper & lower)	



HT-50048

FUEL FILTER LINES
10000 & 11000

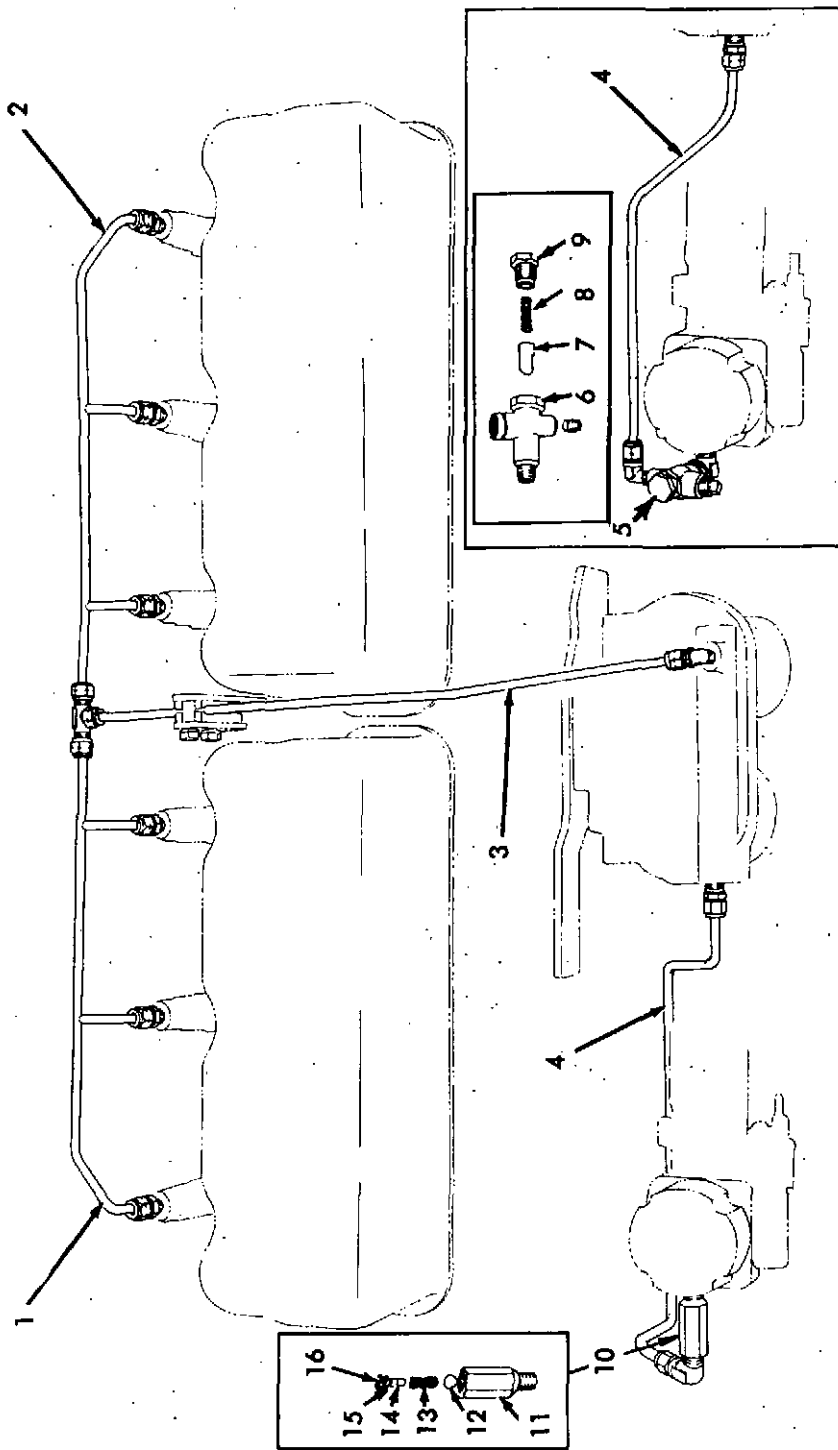
Power Unit & Diesel Electric Set.
Used w/Bosch Fuel Injection Pump

ITEM	PART NUMBER	QTY.	DESCRIPTION	PACKAGE NO.
1	4337120	1	TUBE ASSY., fuel (Primary Filter to Transfer Pump) (Incl. NUTS & SLEEVES)	
	917810	2	NUT, 3/8" tube	
	917807	2	SLEEVE, 3/8" tube	
	919005	1	ELBOW, male, 90°, 3/8" tube x 3/8" NPT	
	918374	1	ELBOW, street, 90°, 1/4" NPT	
	920279	1	CONNECTOR, male, 3/8" tube x 1/4" NPT	
2	4337118	1	TUBE ASSY., fuel (Transfer Pump to Secondary Filter) (Incl. NUTS & SLEEVES)	
	920280	2	ELBOW, male, 90°, 3/8" tube x 1/4" NPT	
	917807	2	SLEEVE, 3/8" tube	
	917810	2	NUT, 3/8" tube	
3	4337122	1	TUBE ASSY., fuel (Secondary Filter to Injection Pump) (Incl. NUTS & SLEEVES)	

Continued

FUEL FILTER LINES (CONTINUED)
 10000 & 11000
 Power Unit & Diesel Electric Set
 Used w/Bosch Fuel Injection Pump

ITEM	PART NUMBER	QTY.	DESCRIPTION	PACKAGE NO.
3	917807	2	SLEEVE, 3/8" tube	
	917810	2	NUT, 3/8" tube	
	920700	1	CONNECTOR, male, 3/8" tube x 3/8" NPT	
	920279	1	CONNECTOR, male, 3/8" tube x 1/4" NPT	
	4337187	1	TUBE ASSY., (Fuel Valve to Injection Pump) (Incl. NUTS & SLEEVES) (f/use with Fuel Valve) (Not Illustrated) (4336977)	
	917810	2	NUT, 3/8" tube	
	917807	2	SLEEVE, 3/8" tube	
	901478	1	NIPPLE, close, 1/4" PT x 7/8" long ((in Fuel Injection Pump)	
	920700	1	CONNECTOR, 3/8" tube x 3/8" NPT	
	4	4371456	1	
5	-----	1	SWITCH, magnetic (4336977) (Refer to INSTRUMENTS & PANELS)	



T-32107

INJECTION FUEL RETURN LINES

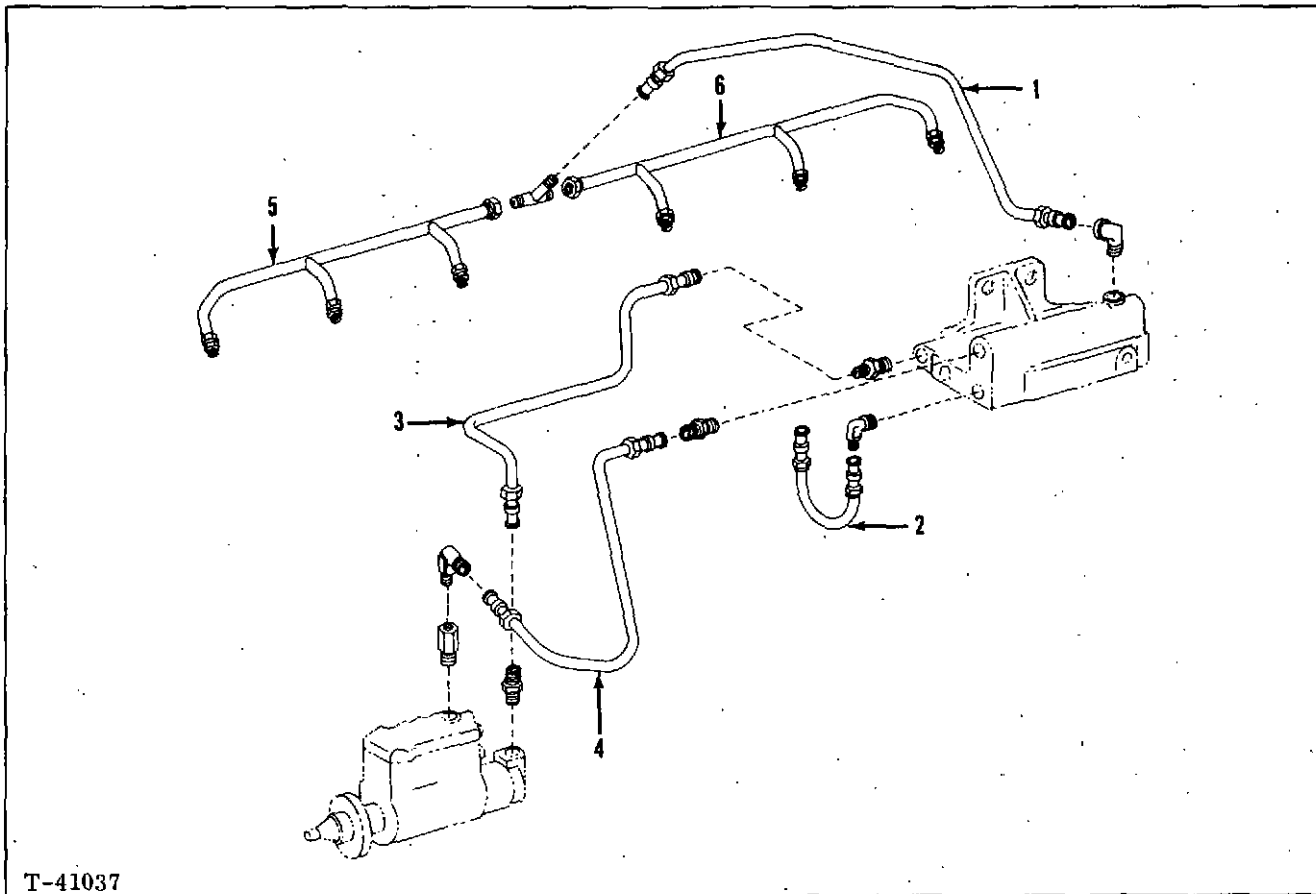
INJECTION FUEL RETURN LINES
10000 & 11000

Power Unit & Diesel Electric Set

* Prior to Serial No. 117261

** Effective w/Serial No. 117261 & up
(Used w/Bosch Fuel Injection Pump)

ITEM	PART NUMBER	QTY.		DESCRIPTION	PACKAGE NO.
		*	**		
1	4336546	1	1	MANIFOLD ASSY., front (Incl. NUTS & SLEEVES)	
	917809	4	4	NUT, 1/4" OD tube	
	917806	4	4	SLEEVE, 1/4" OD tube	
	919800	3	3	CONNECTOR, 1/8" PT x 1/4" OD tube	
2	4336547	1	1	MANIFOLD ASSY., rear (Incl. NUTS & SLEEVES)	
	917809	4	4	NUT, 1/4" OD tube	
	917806	4	4	SLEEVE, 1/4" OD tube	
	919800	3	3	CONNECTOR, 1/8" PT x 1/4" OD tube	
3	4338463	-	1	TUBE ASSY., manifold to filter (Incl. NUTS & SLEEVES)	
	4336687	1	-	TUBE ASSY., manifold to filter (Incl. NUTS & SLEEVES)	
	917809	2	2	NUT, 1/4" OD tube	
	917806	2	2	SLEEVE, 1/4" OD tube	
	919797	1	1	TEE, union, 1/4" OD tube	
919481	1	1	ELBOW, 1/4" PT x 1/4" OD tube		
4	4336549	1	-	TUBE ASSY., pump to filter (Incl. NUTS & SLEEVES)	
	919040	1	-	ELBOW, 1/8" PT x 1/4" OD tube	
	4337223	-	1	TUBE ASSY., pump to filter (Incl. NUTS & SLEEVES)	
	919481	-	1	ELBOW, 1/4" PT x 1/4" OD tube	
	917809	2	2	NUT, 1/4" OD tube	
917806	2	2	SLEEVE, 1/4" OD tube		
920242	1	1	CONNECTOR, 1/4" PT x 1/4" OD tube		
5	4505556	1	-	VALVE ASSY., pressure relief (Incl. Items 6 thru 9)	
	914588	1	-	ELBOW, street, 90°, Imperial, 1/4" PT	
6	-----	1	-	BODY, relief valve (Not Serviced Separately)	
	901651	1	-	PLUG, pipe, sq. hd., 1/8" PT	
7	4041015	1	-	VALVE, pressure relief	
8	4050685	1	-	SPRING, pressure relief valve	
9	4051304	1	-	SCREW, pressure relief valve	
10	4337015	-	1	VALVE ASSY., pressure relief (Incl. Items 11 thru 16)	
	914588	-	1	ELBOW, street, 90°, Imperial, 1/4" PT	
11	-----	-	1	BODY, relief valve (Not Serviced Separately - Order 4337015)	
12	4337022	-	1	BALL, relief valve	
13	4337023	-	1	SPRING, relief valve	
14	4337019	-	1	STOP, relief valve	
15	4255017	-	1	E-RING, relief valve stop	
16	4255020	-	1	RING, snap, relief valve	



T-41037

FUEL RETURN LINES
10000 & 11000

Power Unit & Diesel Electric Set

Used w/Roosa Fuel Injection Pump - Prior to Serial No. 10-13927 & 11-12822

ITEM	PART NUMBER	QTY.	DESCRIPTION	PACKAGE NO.
1	4338463	1	TUBE ASSY., (Return Line to Filter Head) (Incl. NUTS & SLEEVES)	
	917806	2	SLEEVE, 1/4" OD tube	
	917809	2	NUT, 1/4" OD tube	
	919481	1	ELBOW, 1/4" PT x 1/4" OD tube	
	919797	1	TEE, manifold, 1/4" OD tube	
2	4339663	1	TUBE ASSY., (Inlet to Outlet in Filter Head) (Incl. NUTS & SLEEVES) (Prior to Serial No. 10-11917 & 11-10395)	
	4339665	1	TUBE ASSY., (Inlet to Outlet in Filter Head) (Incl. NUTS & SLEEVES) (Effective w/Serial No. 10-11917 & 11-10395)	
	917807	2	SLEEVE, 3/8" tube	
	917810	2	NUT, 3/8" tube	
	919005	1	ELBOW, male, 90°, 3/8" PT x 3/8" OD tube	
	920280	1	ELBOW, male, 90°, 1/4" PT x 3/8" OD tube	
3	4338654	1	TUBE ASSY., (Filter Head to Fuel Pump) (Incl. NUTS & SLEEVES)	
	917807	2	SLEEVE, 3/8" OD tube	
	917810	2	NUT, 3/8" OD tube	

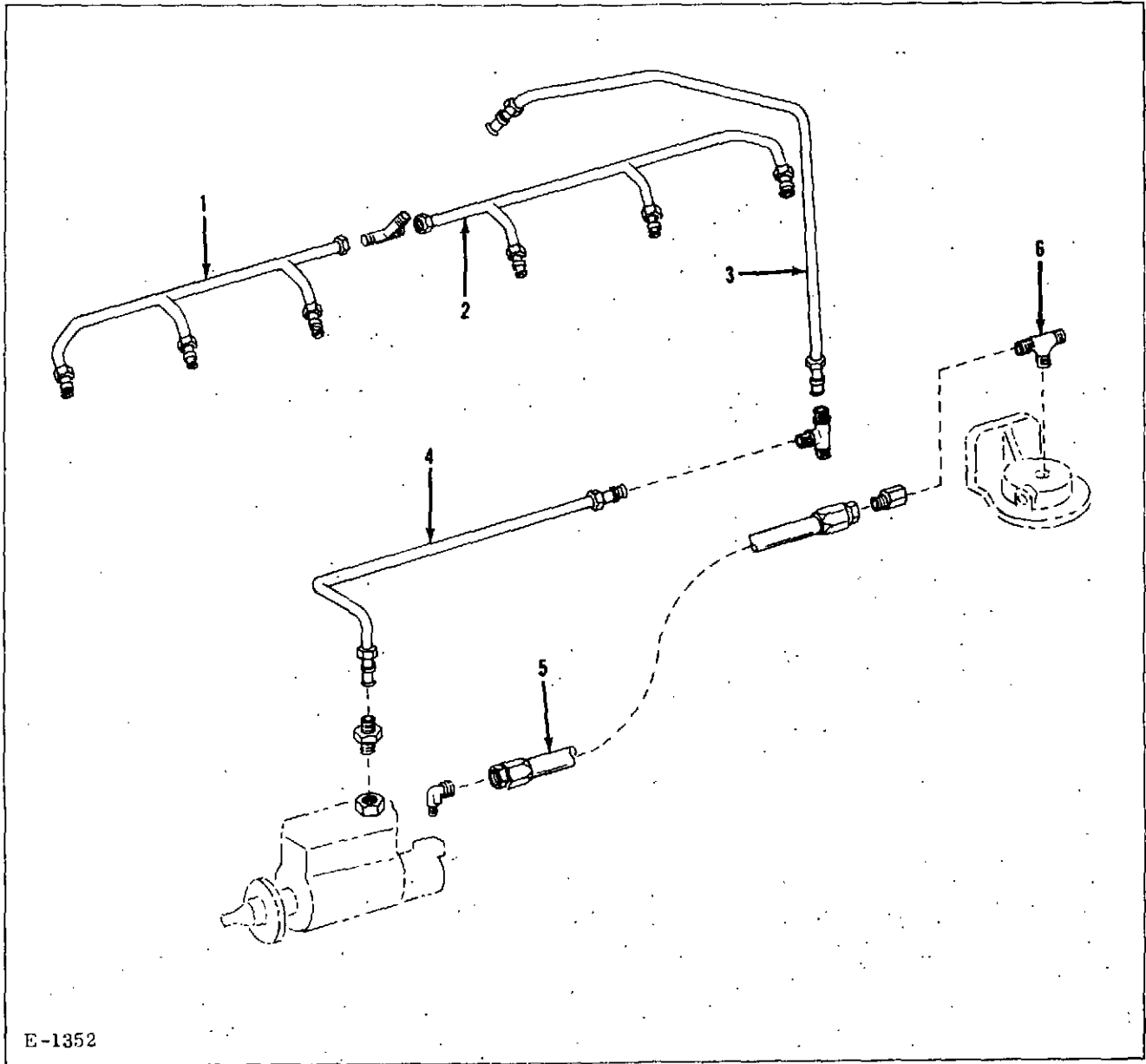
FUEL RETURN LINES (CONTINUED).

10000 & 11000

Power Unit & Diesel Electric Set

Used w/Roosa Fuel Injection Pump - Prior to Serial No. 10-13927 & 11-12822

ITEM	PART NUMBER	QTY.	DESCRIPTION	PACKAGE NO.
	919005	1	ELBOW, male, 1/4" PT x 3/8" OD tube (in Filter Head)	
	920279	1	CONNECTOR, male, 1/4" PT x 3/8" OD tube (in Fuel Injection Pump)	
4	4338656	1	TUBE ASSY., (Pump to Filter) (Incl. NUTS & SLEEVES)	
	917806	2	SLEEVE, 1/4" OD tube	
	917809	2	NUT, 1/4" OD tube	
	920242	1	CONNECTOR, 1/4" PT x 1/4" OD tube (in Filter Head)	
	919040	1	ELBOW, 1/8" PT x 1/4" OD tube (in Fuel Pump)	
5	4336546	1	TUBE ASSY., drip manifold (front) (Incl. NUTS & SLEEVES)	
	917809	4	NUT, 1/4" OD tube	
	917806	4	SLEEVE, rubber, 1/4" OD tube	
	919800	3	CONNECTOR, 1/8" PT x 1/4" OD tube (Prior to Serial No. 10-13822)	
6	4336547	1	TUBE ASSY., drip manifold (rear) (Incl. NUTS & SLEEVES)	
	917809	4	NUT, 1/4" OD tube	
	917806	4	SLEEVE, rubber, 1/4" OD tube	
	919800	3	CONNECTOR, 1/8" PT x 1/4" OD tube (Prior to Serial No. 10-13822)	



E-1352

FUEL RETURN LINES

10000 & 11000

Power Unit & Diesel Electric Set

Used w/Roosa Fuel Injection Pump - Effective w/Serial No. 10-13927 & 11-12822

ITEM	PART NUMBER	QTY.	DESCRIPTION	PACKAGE NO.
1	4336546	1	TUBE ASSY., drip manifold (front) (Incl. NUTS & SLEEVES)	
	917809	4	NUT, 1/4" OD tube	
	917806	4	SLEEVE, 1/4" OD tube	
	919800	3	CONNECTOR, 1/4" OD tube x 1/8" NPTF (Prior to Serial No. 11-12871)	
2	4336547	1	TUBE ASSY., drip manifold (rear) (Incl. NUTS & SLEEVES)	
	917809	4	NUT, 1/4" OD tube	
	917806	4	SLEEVE, 1/4" OD tube	
	919800	3	CONNECTOR, 1/4" OD tube x 1/8" NPTF (Prior to Serial No. 11-12871)	

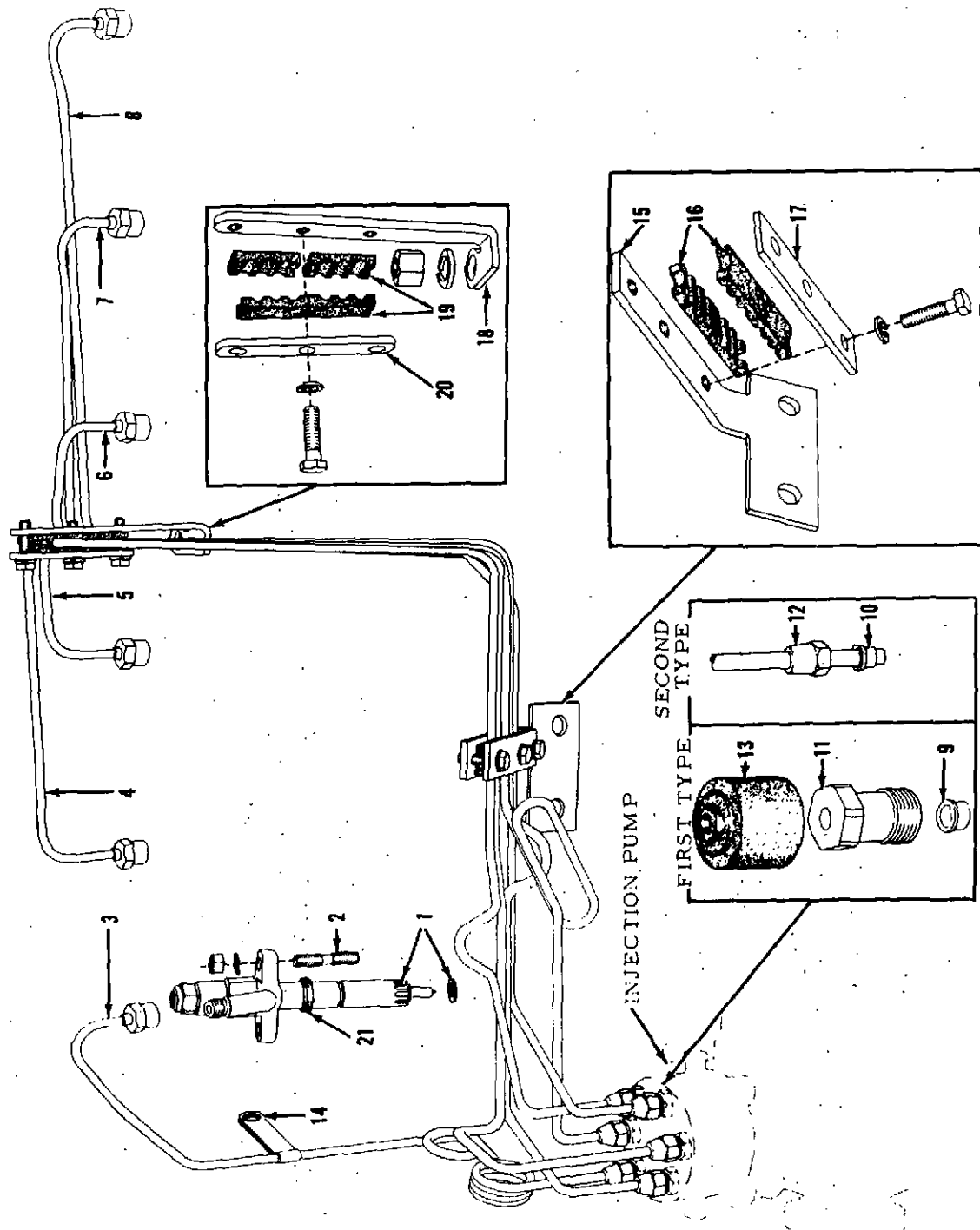
FUEL RETURN LINES (CONTINUED)

10000 & 11000

Power Unit & Diesel Electric Set

Used w/Roosa Fuel Injection Pump - Effective w/Serial No. 10-13927 & 11-12822

ITEM	PART NUMBER	QTY.	DESCRIPTION	PACKAGE NO.
3	4339691	1	TUBE ASSY., drip (Incl. NUTS & SLEEVES)	
	917809	2	NUT, 1/4" OD tube	
	917806	2	SLEEVE, 1/4" OD tube	
	919797	1	TEE, manifold, 1/4" OD tube	
4	4339689	1	TUBE ASSY., fuel return (Incl. NUTS & SLEEVES)	
	917809	2	NUT, 1/4" OD tube	
	917806	2	SLEEVE, 1/4" OD tube	
	919800	1	CONNECTOR, 1/4" OD tube x 1/8" NPTF	
	920411	1	TEE, fuel return, 1/4" OD tube x 1/8" NPTF	
5	4358812	1	HOSE ASSY., fuel to pump (f/D.E.S.) (See Page 371 for Parts)	
	4357430	1	HOSE ASSY., fuel to pump (f/Power Units) (See Page 371 for Parts)	
	923979	1	CONNECTOR, female, 3/8" OD tube x 3/8" NPTF	
	919135	1	ELBOW, 3/8" OD tube x 1/4" NPTF	
6	-----	1	TEE, tube connection (see FUEL FILTER GROUP)	
7	4255010	1	CLAMP, hose (see FUEL INJECTION LINES for attaching HARDWARE) (not illustrated)	
8	4339949	1	CLAMP, drip tube (not illustrated)	
	916277	1	CAPSCREW, 5/16" NC x 5/16"	
	904205	1	LOCKWASHER, 5/8"	
9	4253435	1	CLAMP, fuel return tube (not illustrated)	
	916277	1	CAPSCREW, 5/16" NC x 5/8"	
	904205	1	LOCKWASHER, 5/16"	



T-24204

INJECTION NOZZLES & LINES

INJECTION NOZZLES & LINES
10000 & 11000

Power Unit & Diesel Electric Set

Used w/Bosch Fuel Injection Pump

* { 10000 Engine - Prior to Serial No. 118347

11000 Engine - Prior to Serial No. 118163

** { 10000 Engine - Effective w/Serial No. 118347 to 120679

11000 Engine - Effective w/Serial No. 118163 to 120679

*** 10000 & 11000 Engine - Effective w/Serial No. 120679

ITEM	PART NUMBER	QTY.			DESCRIPTION	PACKAGE NO.
		*	**	***		
1	4336566	6	-	-	HOLDER ASSY., injection nozzle (See Page 123 for Components)	
	4380654	-	6	6	HOLDER ASSY., injection nozzle (See Page 125 for Components)	
2	4336209	12	12	12	STUD, injection nozzle holder	
	904206	12	12	12	LOCKWASHER, 3/8" NC	
	910123	12	12	12	NUT, 3/8" NC	
3	4336540	1	-	-	TUBE ASSY., fuel injection, #1 cylinder	
	4337805	-	1	-	TUBE ASSY., fuel injection, #1 cylinder	
	4338428	-	-	1	TUBE ASSY., fuel injection, #1 cylinder	
4	4336541	1	-	-	TUBE ASSY., fuel injection, #2 cylinder	
	4337806	-	1	-	TUBE ASSY., fuel injection, #2 cylinder	
	4338429	-	-	1	TUBE ASSY., fuel injection, #2 cylinder	
5	4336542	1	-	-	TUBE ASSY., fuel injection, #3 cylinder	
	4337807	-	1	-	TUBE ASSY., fuel injection, #3 cylinder	
	4338430	-	-	1	TUBE ASSY., fuel injection, #3 cylinder	
6	4336543	1	-	-	TUBE ASSY., fuel injection, #4 cylinder	
	4337808	-	1	-	TUBE ASSY., fuel injection, #4 cylinder	
	4338431	-	-	1	TUBE ASSY., fuel injection, #4 cylinder	
7	4336544	1	-	-	TUBE ASSY., fuel injection, #5 cylinder	
	4337809	-	1	-	TUBE ASSY., fuel injection, #5 cylinder	
	4338432	-	-	1	TUBE ASSY., fuel injection, #5 cylinder	
8	4336545	1	-	-	TUBE ASSY., fuel injection, #6 cylinder	
	4337810	-	1	-	TUBE ASSY., fuel injection, #6 cylinder	
	4338433	-	-	1	TUBE ASSY., fuel injection, #6 cylinder	
NOTE: Each Tube Assembly listed above includes NUT & SLEEVE for the upper end.						
9	4052556	6	-	-	SLEEVE, injection tube, lower end	
10	4501149	-	6	6	SLEEVE, injection tube, lower end	

Continued

INJECTION NOZZLES & LINES (CONTINUED)

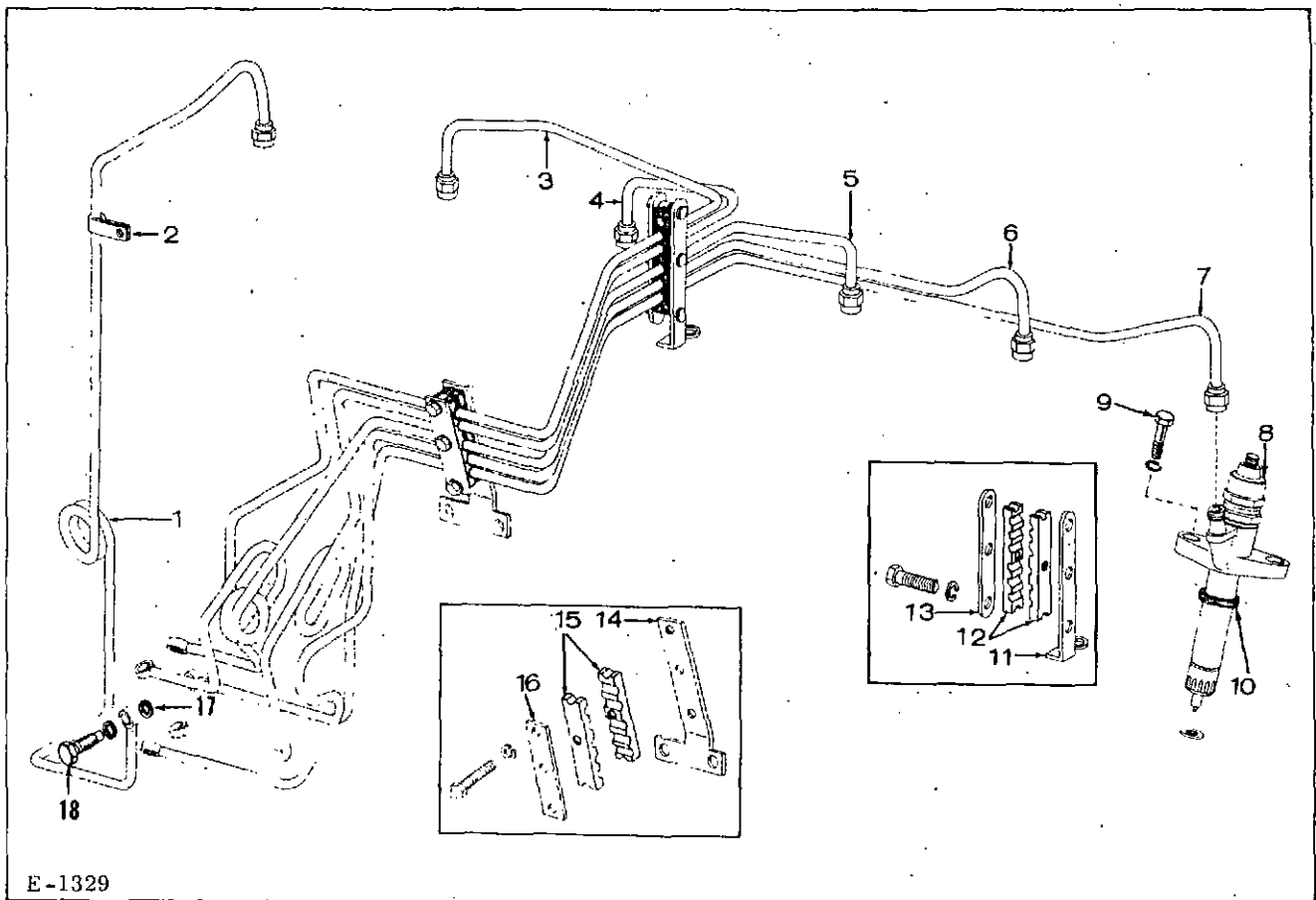
10000 & 11000

Power Unit & Diesel Electric Set

Used w/Bosch Fuel Injection Pump

- * { 10000 Engine - Prior to Serial No. 118347
- { 11000 Engine - Prior to Serial No. 118163
- ** { 10000 Engine - Effective w/Serial No. 118347 to 120679
- { 11000 Engine - Effective w/Serial No. 118163 to 120679
- *** 10000 & 11000 Engine - Effective w/Serial No. 120679

ITEM	PART NUMBER	QTY.			DESCRIPTION	PACKAGE NO.
		*	**	***		
11	4052555	6	-	-	FITTING, injection tube, lower end	
12	4504409	-	6	6	NUT, injection tube, lower end	
13	4053156	6	-	-	CAP, injection tube fitting (rubber)	
14	4339207	1	1	1	CLIP, fuel injection tube, #1 cylinder	
15	4336530	1	1	1	BRACKET, tube supporting, lower	
16	4336532	2	2	2	SPACER, injection tube, lower	
17	4336531	1	1	1	PLATE, clamping, injection tube, lower	
	903772	3	3	3	CAPSCREW, 5/16" NF x 1"	
	904205	3	3	3	LOCKWASHER, 5/16"	
18	4336249	1	1	1	BRACKET, tube, supporting, upper	
	910195	1	1	1	NUT, 1/2" NF	
	904208	1	1	1	LOCKWASHER, 1/2"	
19	4507359	4	4	4	SPACER, injection tube, upper	
20	4336250	1	1	1	CLAMP, injection tube, upper	
	914670	3	3	3	CAPSCREW, 5/16" NF x 1-1/8"	
	904205	3	3	3	LOCKWASHER, 5/16"	
21	4025385	12	12	12	SHIELD, dirt	



INJECTION NOZZLES & LINES

10000 & 11000

Power Unit & Diesel Electric Set

Used w/Roosa Fuel Injection Pump - Prior to Serial No. 10-13927 & 11-12822

ITEM	PART NUMBER	QTY.	DESCRIPTION	PACKAGE NO..
1	4338969	1	TUBE ASSY., fuel injection, #1 cylinder	
2	4339207	1	CLAMP, injection tube, #1 cylinder (10000)	
	4339136	1	CLAMP, injection tube, #1 cylinder (11000)	
3	4338970	1	TUBE ASSY., fuel injection, #2 cylinder	
4	4338971	1	TUBE ASSY., fuel injection, #3 cylinder	
5	4338972	1	TUBE ASSY., fuel injection, #4 cylinder	
6	4338973	1	TUBE ASSY., fuel injection, #5 cylinder	
7	4338974	1	TUBE ASSY., fuel injection, #6 cylinder	
8	4354785	6	HOLDER ASSY., injection nozzle (See Page 124 for Components)	
9	903632	12	CAPSCREW, 3/8" NC x 2-1/2"	
	904206	12	LOCKWASHER, 3/8"	
	910123	12	NUT, 3/8" NF (Prior to Serial No. 10-13903)	
10	4025385	12	SHIELD, dust, injection nozzle	

Continued

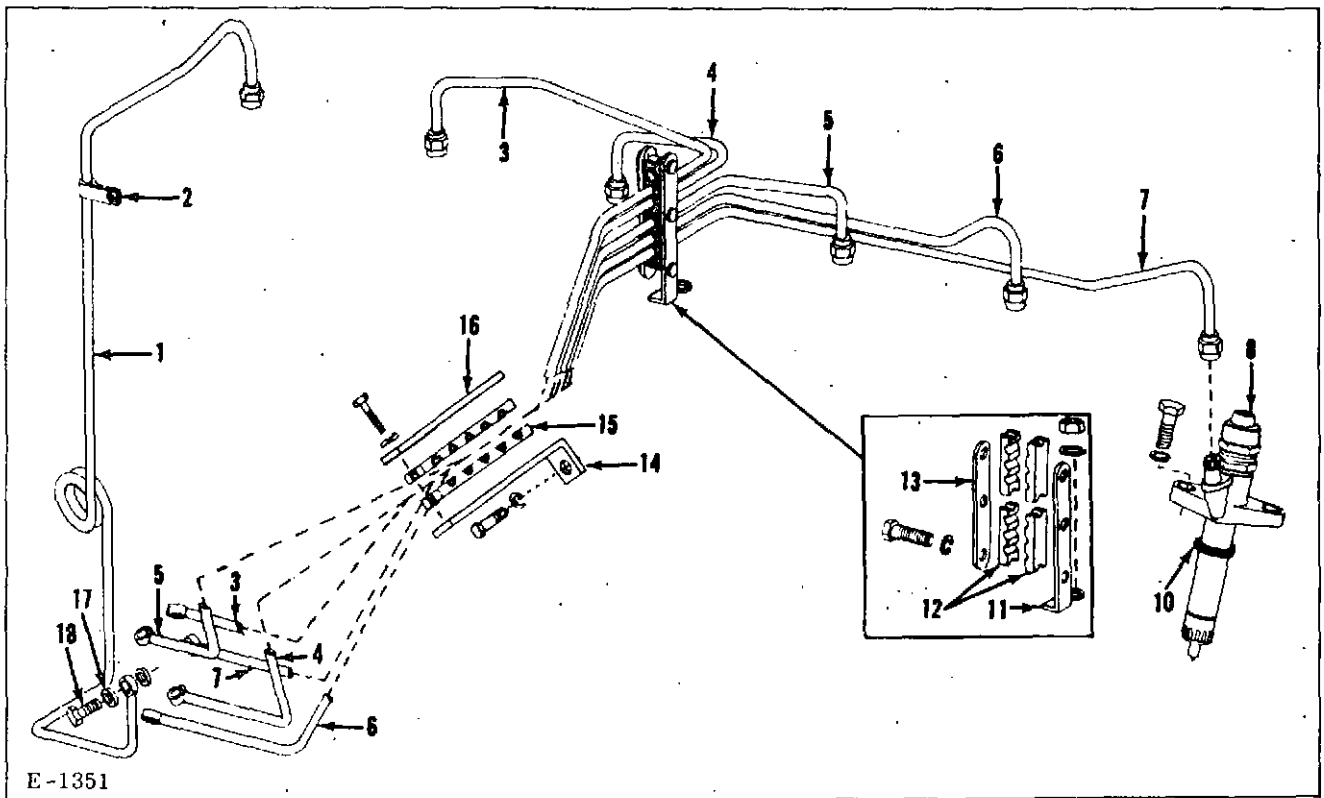
INJECTION NOZZLES & LINES (CONTINUED)

10000 & 11000

Power Unit & Diesel Electric Set

Used w/Roosa Fuel Injection Pump - Prior to Serial No. 10-13927 & 11-12822

ITEM	PART NUMBER	QTY.	DESCRIPTION	PACKAGE NO.
11	4336249	1	BRACKET, tube supporting, upper	
	910195	1	NUT, 1/2" NC	
	904208	1	LOCKWASHER, 1/2"	
12	4507359	4	SPACER, injection tubes, upper	
13	4336250	1	CLAMP, injection tubes, upper	
	914670	3	CAPSCREW, 5/16" NC x 1-1/8"	
	904205	3	LOCKWASHER, 5/16"	
14	4336530	1	BRACKET, tube supporting, lower	
	916271	2	CAPSCREW, 3/8" NC x 1"	
	904206	2	LOCKWASHER, 3/8"	
	4362611	2	SPACER, bracket (Not Illustrated)	
15	4336532	2	SPACER, injection tubes, lower	
16	4336531	1	PLATE, clamping, injection tubes, lower	
	914392	3	CAPSCREW, 5/16" NC x 1"	
	904205	3	LOCKWASHER, 5/16"	
17	4056256	12	WASHER, connector (sealing)	} (Part of Fuel Injection Pump)
18	4369461	6	SCREW, fuel line connection	



INJECTION NOZZLES & LINES
10000 & 11000

Power Unit & Diesel Electric Set

Used w/Roosa Fuel Injection Pump - Effective w/Serial No. 10-13927 & 11-12822

ITEM	PART NUMBER	QTY.	DESCRIPTION	PACKAGE NO.
1	4339558	1	TUBE ASSY., fuel injection (#1 cylinder)	
2	4339136	1	CLAMP, tube (#1 cylinder) (upper)	
	4354831	1	CLAMP, tube (#1 cylinder) (lower)	
	916284	1	CAPSCREW, 1/4" NC x 1/2"	(lower)
	904204	1	LOCKWASHER, 1/4"	
3	4339559	1	TUBE ASSY., fuel injection (#2 cylinder)	
4	4339560	1	TUBE ASSY., fuel injection (#3 cylinder)	
5	4339561	1	TUBE ASSY., fuel injection (#4 cylinder)	
6	4339562	1	TUBE ASSY., fuel injection (#5 cylinder)	
7	4339563	1	TUBE ASSY., fuel injection (#6 cylinder)	
8	4354785	6	HOLDER ASSY., injection nozzle (See page 124 for components)	
9	903632	12	CAPSCREW, 3/8" NC x 2-1/2"	
	904206	12	LOCKWASHER, 3/8"	
	910123	12	NUT, 3/8" NF (Prior to Serial No. 10-13903 & 11-12980)	
10	4025385	12	SHIELD, dust, injection nozzle	

Continued

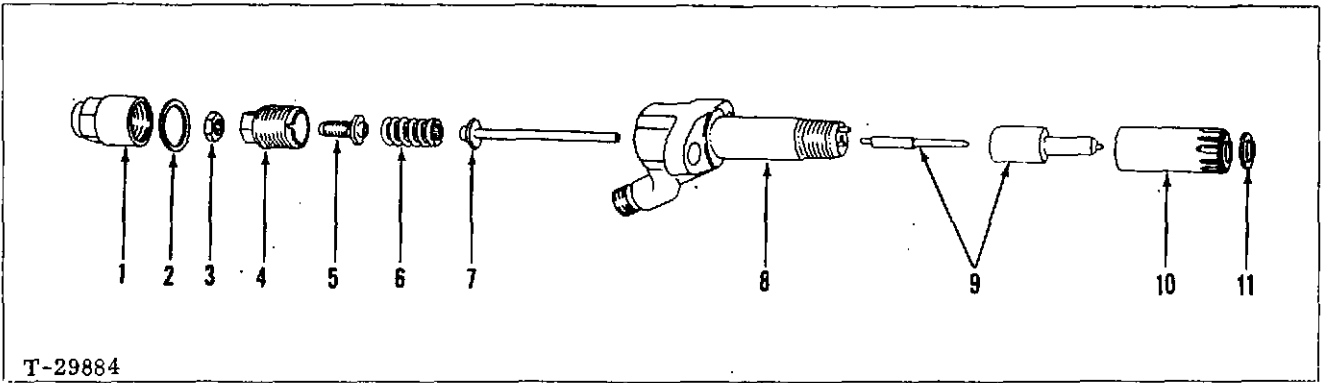
INJECTION NOZZLES & LINES (CONTINUED)

10000 & 11000

Power Unit & Diesel Electric Set

Used w/Roosa Fuel Injection Pump - Effective w/Serial No. 10-13927 & 11-12822

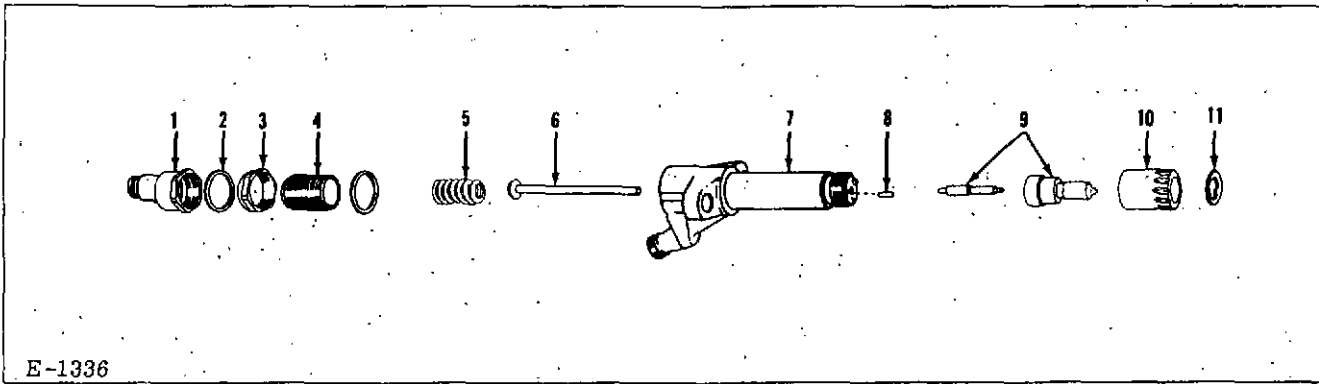
ITEM	PART NUMBER	QTY.	DESCRIPTION	PACKAGE NO.
11	4336249	1	BRACKET, tube support (upper)	
	904208	1	LOCKWASHER, 1/2"	
	910195	1	NUT, 1/2" NC	
12	4507359	4	SPACER, injection tube	
13	4336250	1	CLAMP, injection tube	
	914670	3	CAPSCREW, 5/16" NC x 1-1/8"	
	904205	3	LOCKWASHER, 5/16"	
14	4339712	1	BRACKET, tube support (lower)	
	915809	1	CAPSCREW, 5/16" NC x 3/4"	
	904205	1	LOCKWASHER, 5/16"	
15	4336532	2	SPACER, injection tube	
16	4336531	1	CLAMP, injection tube	
	914670	3	CAPSCREW, 5/16" NC x 1-1/8" (also attaches hose clamp)	
	904205	3	LOCKWASHER, 5/16"	
17	4056256	12	WASHER, connector (sealing)	} (Part of Fuel Injection Pump)
18	4369461	6	SCREW, fuel line connection	



T-29884

INJECTION NOZZLE HOLDER ASSEMBLY - 4336566
 10000 & 11000
 Power Unit & Diesel Electric Set

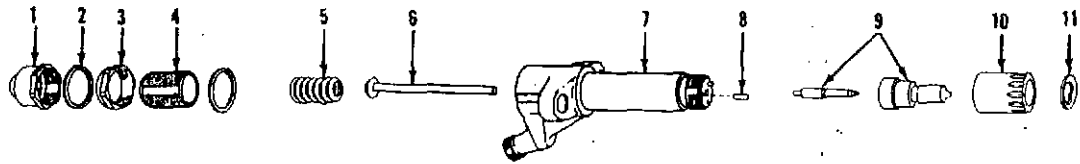
ITEM	PART NUMBER	QTY.	DESCRIPTION	PACKAGE NO.
NOTE: See Page 117 for listing of complete assembly. Quantities listed are for one (1) holder assembly only.				
1	4052715	1	CAP, protecting	
2	4049282	1	GASKET, protecting cap	
3	4050523	1	NUT, adjusting screw	
4	4050520	1	NUT, spindle retaining	
5	4051839	1	SCREW, adjusting	
6	4050519	1	SPRING, nozzle spindle	
7	4052714	1	SPINDLE ASSY., (Serviced only as a unit)	
8	-----	1	BODY, (Not Serviced Separately)	
9	4336568	1	NOZZLE ASSY., injection (Incl. Item 11)	
10	4050516	1	NUT, nozzle retaining	
11	4378031	1	GASKET, nozzle holder.	4354291



E-1336

INJECTION NOZZLE HOLDER ASSEMBLY - 4354785
 10000 & 11000
 Power Unit & Diesel Electric Set

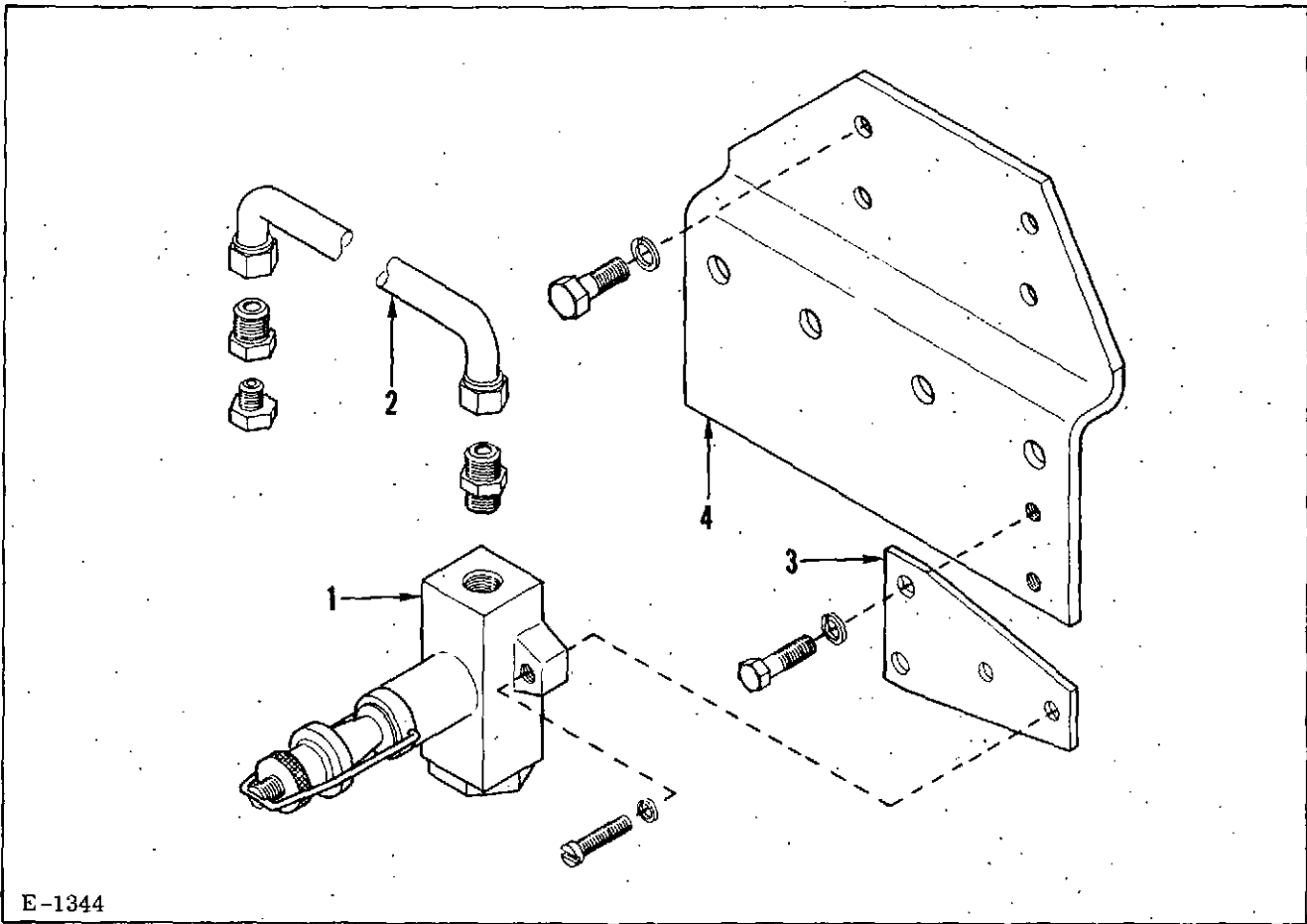
ITEM	PART NUMBER	QTY.	DESCRIPTION	PACKAGE NO.
NOTE: See Page 121 for listing of complete assembly. Quantities listed are for one (1) holder assembly only.				
1	4021227	1	NUT, cap	
2	4511243	2	GASKET, cap nut	
3	4511213	1	NUT, locking	
4	4378033	1	SCREW, adjusting	
5	4380652	1	SPRING	
6	4380656	1	ROD, spindle	
7	-----	1	BODY, (Not Serviced Separately)	
8	922943	2	PIN, nozzle locating	
9	4338803	1	NOZZLE ASSY., (Incl. Item 11)	
10	4380662	1	NUT, nozzle retaining	
11	4378031	1	GASKET, nozzle holder	4354291



HT-50291

INJECTION NOZZLE HOLDER ASSEMBLY - 4380654
 10000 & 11000
 Power Unit & Diesel Electric Set

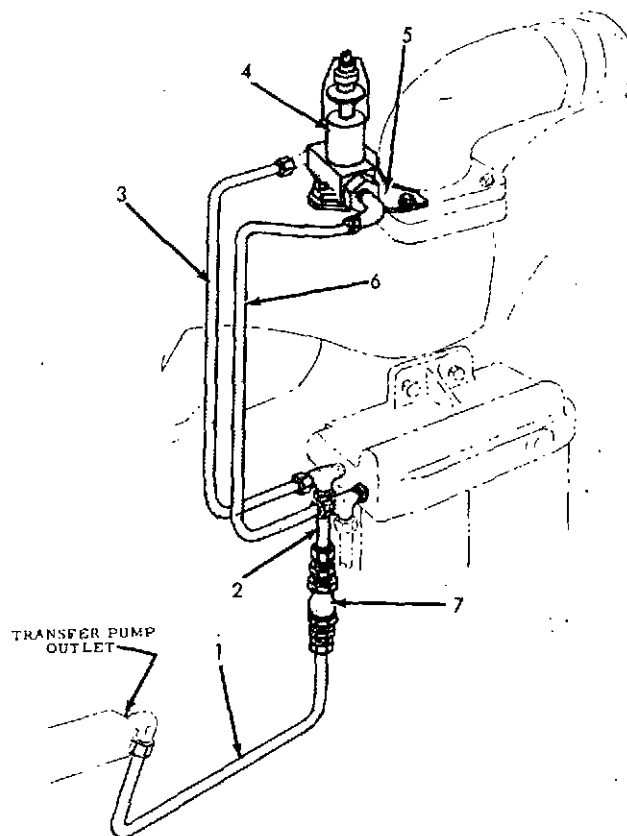
ITEM	PART NUMBER	QTY.	DESCRIPTION	PACKAGE NO.
NOTE: See Page 117 for listing of complete assembly. Quantities listed are for one (1) holder assembly only.				
1	4378032	1	NUT, cap	
2	4511243	2	GASKET, cap nut	
3	4511213	1	NUT, locking	
4	4378033	1	SCREW, adjusting	
5	4380652	1	SPRING	
6	4380656	1	ROD, spindle	
7	-----	1	BODY, (Not Serviced Separately)	
8	922943	2	PIN, nozzle locating	
9	4380651	1	NOZZLE ASSY., (Incl. Item 11)	
10	4380662	1	NUT, nozzle holder	
11	4378031	1	GASKET, nozzle holder.....	4354291



E-1344

HAND PRIMER PUMP - STANDARD
 10000 & 11000
 Diesel Electric Set
 (Effective w/Serial No. 10-13927 & 11-12822)

ITEM	PART NUMBER	QTY.	DESCRIPTION	PACKAGE NO.
1	4368977	1	PUMP ASSY., hand primer (Refer to Page 130 for components)	
	922878	2	SCREW, #10 NC x 3/4"	
	904203	2	LOCKWASHER, #10	
	919823	1	CONNECTOR, male, 3/8" OD tube x 1/4" NPTF	
	920279	1	CONNECTOR, male, 3/8" OD tube x 1/4" NPTF	
2	4357446	1	TUBE ASSY., pump to filter (Incl. NUTS & SLEEVES)	
	917810	2	NUT, 3/8" OD tube	
	917807	2	SLEEVE, 3/8" OD tube	
	923466	1	CONNECTOR, female, 3/8" OD tube x 1/4" NPTF	
	912483	1	ADAPTOR, pipe, 3/8" x 1/4" NPTF	
3	4357449	1	BRACKET, pump mounting	
	916268	2	CAPSCREW, 3/8" NC x 5/8"	
	904206	2	LOCKWASHER, 3/8"	
4	4358821	1	BRACKET, mounting, filter & hand primer (f/DES)	
	-----	1	BRACKET, mounting, filter & hand primer (f/Power Units See FUEL FILTER GROUP)	
	914392	4	CAPSCREW, 5/16" NC x 1"	
	904205	4	LOCKWASHER, 5/16"	



T-34768

HAND PRIMER PUMP & CONNECTIONS

10000 & 11000

Power Unit & Diesel Electric Set
(Used w/Roosa Fuel Injection Pump)
(4430773)

ITEM	PART NUMBER	QTY.	DESCRIPTION	PACKAGE NO.
1	4430780	1	TUBE ASSY., transfer pump to check valve (Incl. NUTS & SLEEVES)	
	917807	2	SLEEVE, 3/8" OD tube	
	917810	2	NUT, 3/8" OD tube	
2	4430782	1	TUBE ASSY., check valve to filter head (Incl. NUTS & SLEEVES)	
	917807	2	SLEEVE, 3/8" OD tube	
	917810	2	NUT, 3/8" OD tube	
3	4430775	1	TUBE ASSY., filter to pump (Incl. NUTS & SLEEVES)	
	917810	2	NUT, 3/8" OD tube	
	917807	2	SLEEVE, 3/8" OD tube	
	917824	1	TEE, 3/8" tube x 1/4" PT (Tube to Filter)	
	920280	1	ELBOW, 3/8" tube x 1/4" PT (Tube to Pump)	
4	4368977	1	PUMP ASSY., hand primer (See Page 130 for Components)	
	901175	2	SCREW, rd. hd., #10 NC x 1"	
	904203	2	LOCKWASHER, #10	
	901310	2	NUT, #10 NC	

Continued

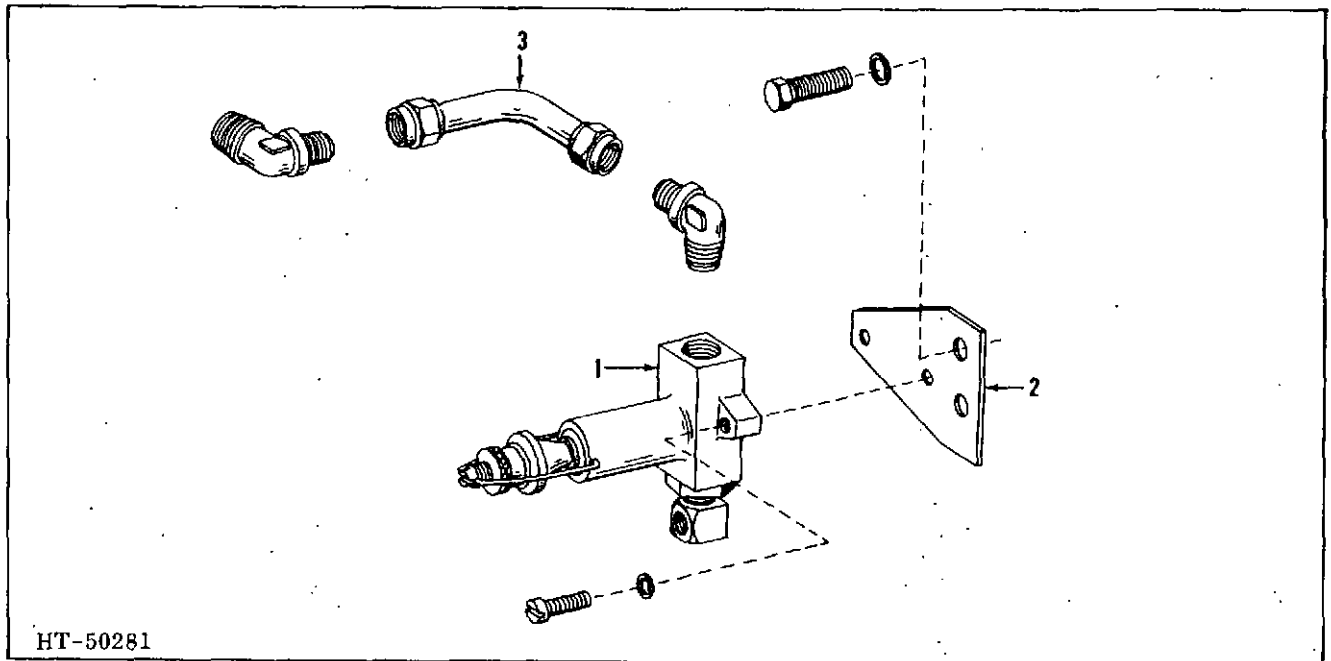
127

HAND PRIMER PUMP & CONNECTIONS (CONTINUED)

10000 & 11000

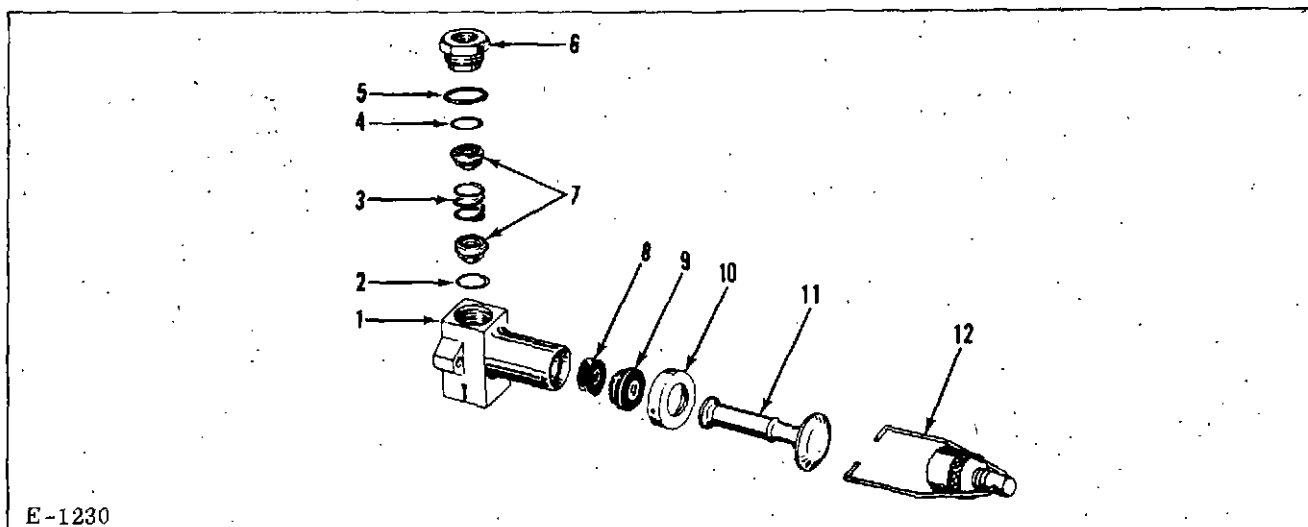
Power Unit & Diesel Electric Set
Used w/Roosa Fuel Injection Pump
(4430773)

ITEM	PART NUMBER	QTY.	DESCRIPTION	PACKAGE NO.
5	4430774	1	BRACKET, primer pump	
	915636	2	CAPSCREW, 1/2" NC x 1-5/8"	
	912007	2	WASHER, plain, 1/2" (10000 Engine Only) (Qty. of 8 required for Engines w/o Air Cleaner)	
6	4430777	1	TUBE ASSY., filter to primer pump (Incl. NUTS & SLEEVES)	
	917810	2	NUT, 3/8" OD tube	
	917807	2	SLEEVE, 3/8" OD tube	
	917824	1	TEE, 1/4" PT x 3/8" OD tube (Filter End)	
	901826	1	BUSHING, reducer, 1/4" PT x 3/8" OD tube (to Filter)	
	920280	2	NUT, 3/8" OD tube	
7	4430784	1	VALVE, check (Vertical Lift)	
	920279	2	CONNECTOR, check valve, 1/4" PT x 3/8" OD tube	



HAND PRIMER PUMP
 10000 & 11000
 Power Unit & Diesel Electric Set
 Used w/Roosa Fuel Injection Pump
 (4339694)

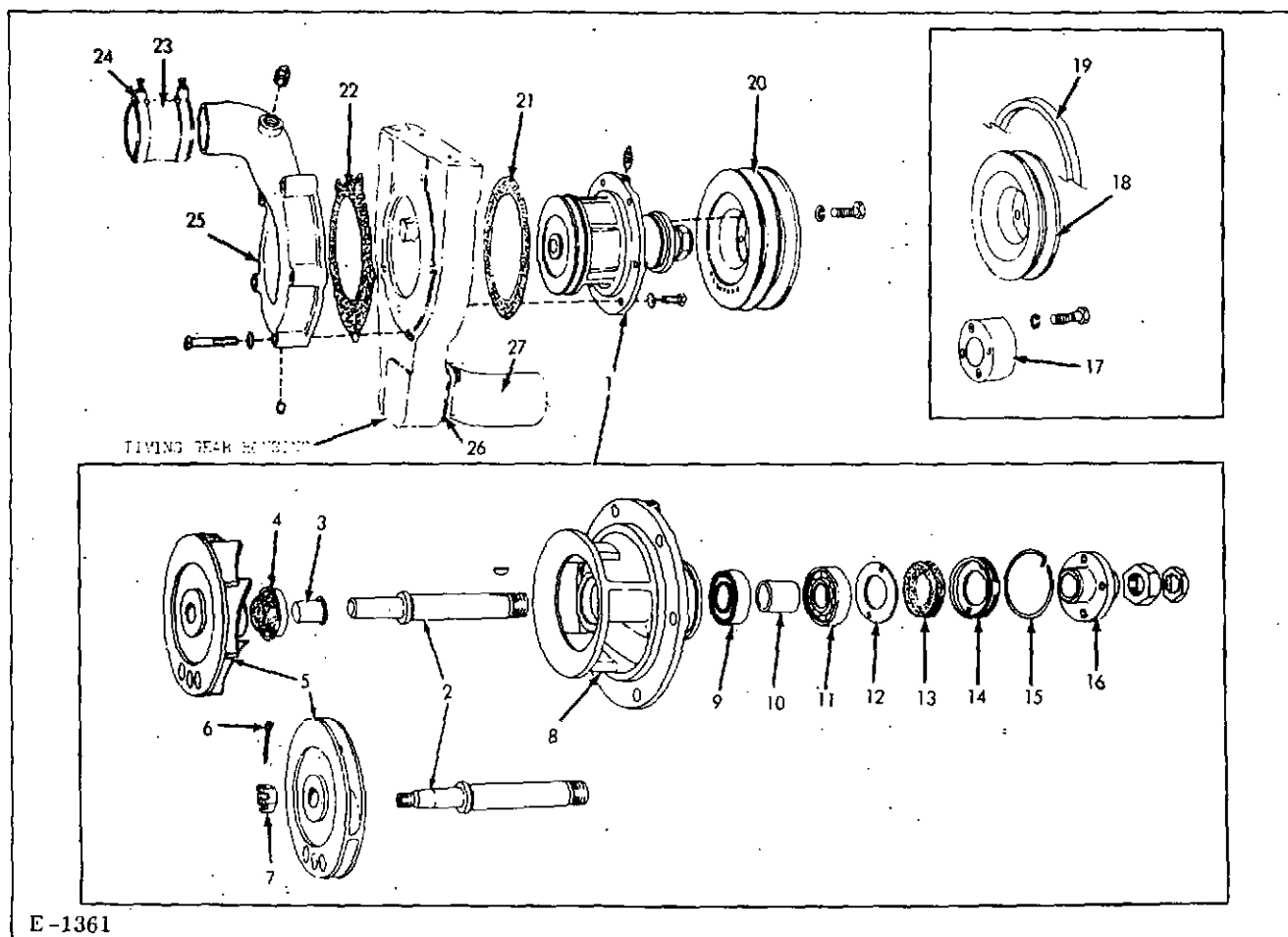
ITEM	PART NUMBER	QTY.	DESCRIPTION	PACKAGE NO.
1	4368977	1	PUMP, hand primer (See Page 130 for Components)	
	922878	2	SCREW, No. 10 NC x 3/4"	
	904203	2	LOCKWASHER, No. 10	
	918374	1	ELBOW, pump inlet, 90°, 1/4" P.T.	
2	4339703	1	BRACKET, pump mounting	
	915809	2	CAPSCREW, 5/16" NC x 3/4"	
	904205	2	LOCKWASHER, 5/16"	
3	4339701	1	TUBE ASSY., pump to filter head (Incl. NUTS & SLEEVES) (Prior to Serial No. 10-11918 & 11-10396)	
	4339709	1	TUBE ASSY., pump to filter head (Incl. NUTS & SLEEVES) (Effective w/Serial No. 10-11918 & 11-10396)	
	917810	2	NUT, 3/8" O.D. tube	
	917807	2	SLEEVE, 3/8" O.D. tube	
	920280	1	ELBOW, 3/8" tube x 1/4" P.T. (pump outlet)	
	919005	1	ELBOW, male, 90°, 3/8" P.T. x 3/18" O.D. tube (in filter head)	



E-1230

HAND PRIMER PUMP ASSEMBLY - 4368977
 10000 & 11000
 Power Unit & Diesel Electric Set

ITEM	PART NUMBER	QTY.	DESCRIPTION	PACKAGE NO.
NOTE: See Pages 126 & 129 for listing of complete assembly.				
1	-----	1	BODY, pump (Not Serviced Separately) (Order Complete Assembly)	
2	4050636	1	GASKET, valve	
3	4050638	1	SPRING, valve retainer	
4	4048649	1	SEAL, valve nut (inner)	
5	4050645	1	RING, seal, valve nut	
6	4054540	1	NUT, valve	
7	4050637	2	VALVE, primer pump	
8	4053035	1	SEAL, piston	
9	4053037	1	GUIDE, plunger	
10	4059620	1	CAP, guide retaining	
11	4053036	1	PLUNGER, pump	
12	4050646	1	CLAMP ASSY., (Incl. WIRE & SCREW)	



E-1361

WATER PUMP
10000 & 11000
Power Unit & Diesel Electric Set

ITEM	PART NUMBER	QTY.	DESCRIPTION	PACKAGE NO.
1	4358785	1	PUMP ASSY., (Incl. Items 2 thru 5 & 8 thru 16)	
	915274	1	FITTING, lubricating, 1/8" NPT	
	916271	6	CAPSCREW, 3/8" NC x 1"	
	904206	6	LOCKWASHER, 3/8"	
2	4348757	1	SHAFT ASSY., (Incl. Item 3)	} (Prior to Serial No. 10-14129 & 11-14220)
	905121	1	KEY, No. 5 woodruff, 1/8" x 5/8"	
	4358787	1	SHAFT ASSY., (Incl. Item 3) (Effective w/Serial No. 10-14129 & 11-14220)	
3	4507084	1	FLINGER, water	
4	4507091	1	SEAL ASSY., (Serviced only as a unit)	
5	4339103	1	IMPELLER ASSY., (Incl. CERAMIC INSERT) (Prior to Serial No. 10-14129 & 11-14220)	
	4358786	1	IMPELLER ASSY., (Incl. CERAMIC INSERT) (Effective w/Serial No. 10-14129 & 11-14220)	
6	4041097	1	PIN, cotter, impeller nut (Prior to Serial No. 10-14129 & 11-14220)	

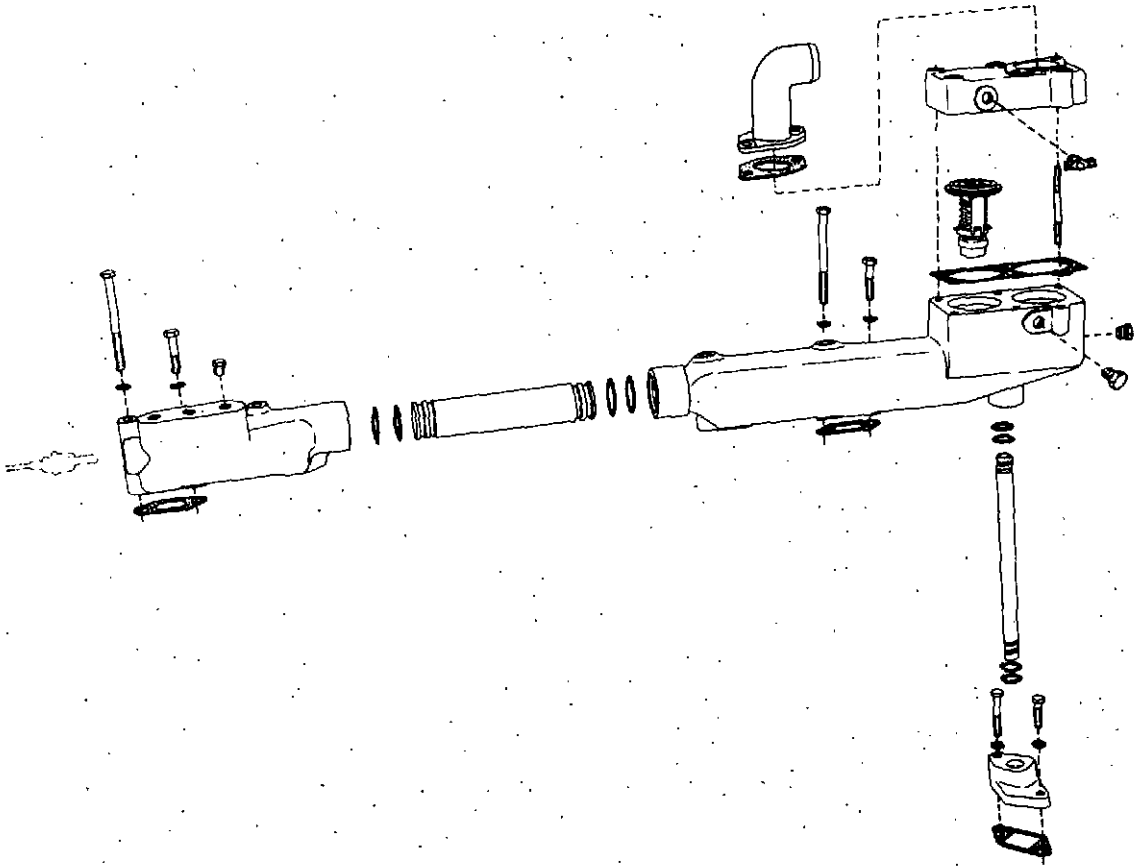
Continued

WATER PUMP (CONTINUED)
10000 & 11000
Power Unit & Diesel Electric Set

ITEM	PART NUMBER	QTY.	DESCRIPTION	PACKAGE NO.
7	4375686	1	NUT, impeller retaining	
8	4338663	1	BODY, water pump	
9	4044212	1	BEARING, ball, rear	
10	4044211	1	SPACER, bearing	
11	4044210	1	BEARING, ball, front	
12	4044209	1	WASHER, retaining	
13	4348825	1	WASHER, sealing	
14	4335320	1	RETAINER, sealing washer	
15	4371707	1	SNAP RING, lockwire, retainer, sealing washer	
16	4335808	1	FLANGE, drive pulley (Prior to Serial No. 10-14129 & 11-14220)	
	4358800	1	FLANGE, drive pulley (Effective w/Serial No. 10-14129 & 11-14220)	
17	910847	1	NUT, 3/4" NF	
	917680	1	NUT, pal locking, 3/4" NF	
	4337732	1	SPACER, pulley, water pump (1st type, 1-15/16" long)	
18	4338101	1	SPACER, pulley, water pump (2nd type, 1-3/16" long)	
	905661	4	CAPSCREW, 5/16" NC x 5/8" (pulley to spacer)	(4338083) (4430787)
	4337234	1	PULLEY, driving (raw water pump)	
921310	4	CAPSCREW, 5/16" NF x 2" (4338083)		
19	921518	4	CAPSCREW, 5/16" NF x 1-3/4" (4430787)	
	4114622	4	WASHER, annular	
20	4337346	1	BELT, raw water pump	
21	4335807	1	PULLEY, driving, water pump	
	916206	4	CAPSCREW, 5/16" NC x 7/8"	
	904205	4	LOCKWASHER, 5/16"	
22	4346744	1	GASKET, water pump	4359120
23	4335056	1	GASKET, water pump volute	4359120
24	4506737	1	HOSE, water inlet (4337774)	
25	4253922	2	CLAMP, hose (4337774)	
25	4349953	1	VOLUTE, water pump	
	916274	5	CAPSCREW, 3/8" NC x 2-1/4"	
	904206	5	LOCKWASHER, 3/8"	
	901653	1	PLUG, pipe, 3/8" sq. hd.	

WATER PUMP (CONTINUED)
10000 & 11000
Power Unit & Diesel Electric Set

ITEM	PART NUMBER	QTY.	DESCRIPTION	PACKAGE NO.
26	4346456	1	GASKET, inlet pipe (Std.) (4338083) (4430787)	4359120
27	4336728	1	PIPE, water pump inlet (Standard)	
	916271	2	CAPSCREW, 3/8" NC x 1"	
	904206	2	LOCKWASHER, 3/8"	



T-29860

WATER OUTLET MANIFOLD
10000 & 11000
Power Unit & Diesel Electric Set
USAGE: Prior to Serial No. 124119

ITEM	PART NUMBER	QTY.	DESCRIPTION	PACKAGE NO.
1	4336765	1	MANIFOLD, water outlet, rear	
	920132	4	PLUG, pipe, sq. hd., 1/2" NPTF	
	914847	2	CAPSCREW, 3/8" NC x 1-1/2"	
	916275	2	CAPSCREW, 3/8" NC x 3-3/4"	
	904206	4	LOCKWASHER, 3/8"	
2	4336182	4	GASKET, water manifold	4354291
3	4336156	1	TUBE, water manifold connecting .	
4	4252796	4	O-RING, water manifold connecting tube	4354291

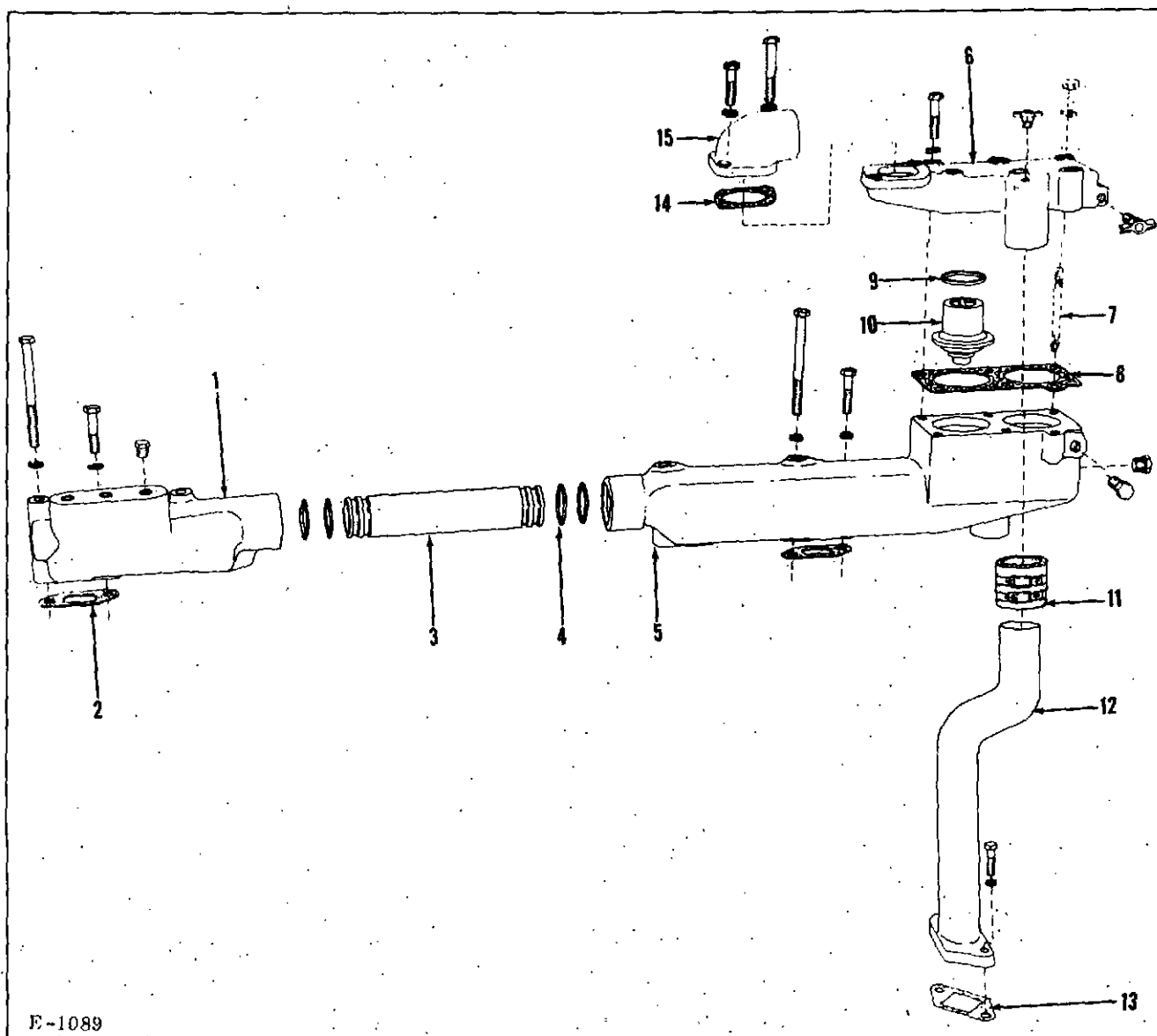
WATER OUTLET MANIFOLD (CONTINUED)

10000 & 11000

Power Unit & Diesel Electric Set

USAGE: Prior to Serial No. 124119

ITEM	PART NUMBER	QTY.	DESCRIPTION	PACKAGE NO.
5	4336260	1	MANIFOLD, water outlet, front	
	904260	1	PLUG, pipe, ctsk. sq. socket, 3/8" NPTF	
	914847	2	CAPSCREW, 3/8" NC x 1-1/2"	
	916275	2	CAPSCREW, 3/8" NC x 3-3/4"	
	904206	4	LOCKWASHER, 3/8"	
	919840	1	PLUG, pipe, hex. hd., 1/4" NPT	
6	4336810	1	HOUSING, thermostat	
	919840	1	PLUG, pipe, hex. hd., 1/4" NPT	
	916274	4	CAPSCREW, 3/8" NC x 2-1/4"	
	904206	4	LOCKWASHER, 3/8"	
7	4336263	1	GASKET, thermostat housing	4354291
8	4336261	2	STUD, thermostat housing	
	904206	2	LOCKWASHER, 3/8"	
	910123	2	NUT, 3/8" NC	
9	4379916	1	THERMOSTAT, (170°)	
	4378269	1	THERMOSTAT, (180°)	
10	4336268	1	TUBE, water by-pass	
	923574	4	O-RING, water by-pass tube	4254291
11	4336267	1	FLANGE, water by-pass	
	919224	1	CAPSCREW, 3/8" NC x 1-1/8"	
	910948	1	CAPSCREW, 3/8" NC x 2"	
	904206	2	LOCKWASHER, 3/8"	
12	4347031	1	GASKET, water by-pass pipe	4359120
13	4336266	1	GASKET, outlet elbow	4354291
14	4336773	1	ELBOW, water outlet (to Radiator)	



WATER OUTLET MANIFOLD & THERMOSTAT
 10000 & 11000
 Power Unit & Diesel Electric Set - Dry Exhaust Manifold
 USAGE: Effective w/Serial No. 124119

ITEM	PART NUMBER	QTY.	DESCRIPTION	PACKAGE NO.
1	4336765	1	MANIFOLD, water outlet, rear	
	920525	1	PLUG, pipe, hex. hd., 3/4" P.T.	
	914847	2	CAPSCREW, 3/8" NC x 1-1/2"	
	916275	2	CAPSCREW, 3/8" NC x 3-3/4"	
	904206	4	LOCKWASHER, 3/8"	
	920132	4	PLUG, pipe, sq. hd., 1/2" P.T.	
2	4336182	4	GASKET, water manifold	4354291
3	4336156	1	TUBE, water manifold connecting	
4	4252796	4	O-RING, water manifold connecting tube	4354291

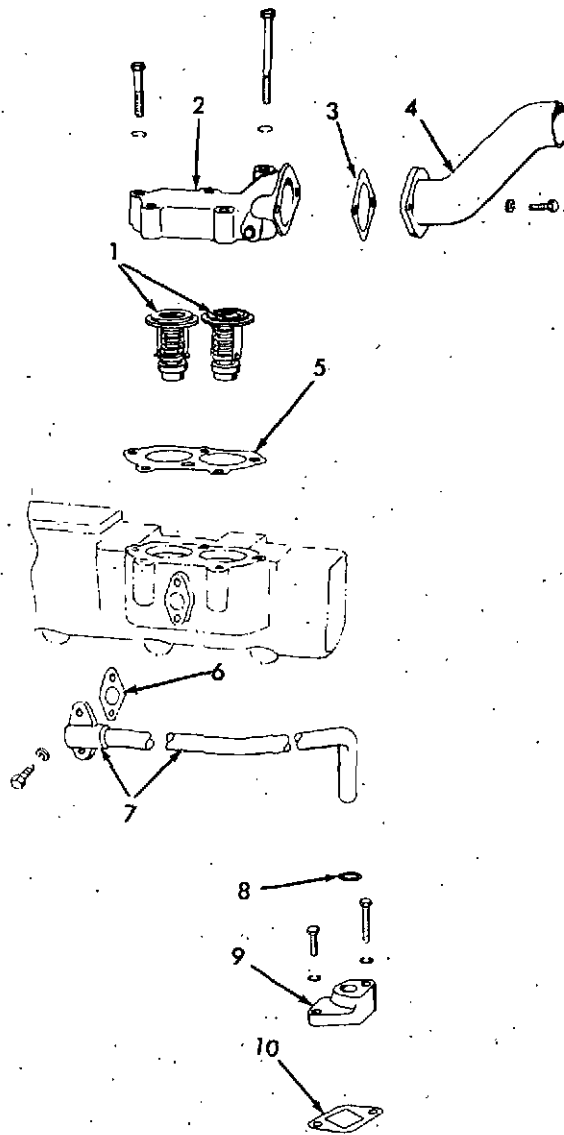
WATER OUTLET MANIFOLD & THERMOSTAT (CONTINUED)

10000 & 11000

Power Unit & Diesel Electric Set - Dry Exhaust Manifold

USAGE: Effective w/Serial No. 124119

ITEM	PART NUMBER	QTY.	DESCRIPTION	PACKAGE NO.
5	4338243	1	MANIFOLD, water outlet, front	
	920333	1	PLUG, pipe, hex. hd., 3/8" P.T.	
	914847	2	CAPSCREW, 3/8" NC x 1-1/2"	
	916275	2	CAPSCREW, 3/8" NC x 3-3/4"	
	904206	4	LOCKWASHER, 3/8"	
	919840	1	PLUG, pipe, 1/4" NPTF	
6	4358754	1	HOUSING ASSY., thermostat (Incl. Items 9 & 16)	
	912415	2	COCK, T-handle, 1/4" (Air Venting)	
	919227	6	CAPSCREW, 3/8" NC x 3-1/4"	} (4 Used Prior to Serial No. 10-10555 & 11-10058)
	904206	6	LOCKWASHER, 3/8"	
7	4347916	2	STUD, thermostat housing	} (Prior to Serial No. 10-10555 & 11-10058)
	904206	2	LOCKWASHER, 3/8"	
	910123	2	NUT, 3/8" NC	
8	4336263	1	GASKET, thermostat housing	4354291
9	4317554	2	SEAL, thermostat	
10	4354537	2	THERMOSTAT, (180°)	
11	4337602	1	HOSE, water by-pass pipe	
	4255012	2	CLAMP, hose	
12	4338242	1	PIPE, water by-pass	
	919224	2	CAPSCREW, 3/8" NC x 1-1/8"	
	904206	2	LOCKWASHER, 3/8"	
13	4347031	1	GASKET, water by-pass pipe	4359120
14	4300145	1	GASKET, outlet elbow	4354291
15	4335451	1	ELBOW, water outlet (to Radiator)	} (Prior to Serial No. 10-11960 & 11-10429)
	913877	1	CAPSCREW, 7/16" NC x 1-1/8"	
	903780	1	CAPSCREW, 7/16" NC x 3"	
	904207	2	LOCKWASHER, 7/16"	
	4339598	1	ELBOW, water outlet (to Radiator)	} (Effective w/Serial No. 10-11960 & 11-10429)
	919228	2	CAPSCREW, 7/16" NC x 1-1/8"	
904207	2	LOCKWASHER, 7/16"		
16	4317553	2	BUSHING, thermostat (Not Illustrated) (Prior to Serial No. 10-12619 & 11-11341)	



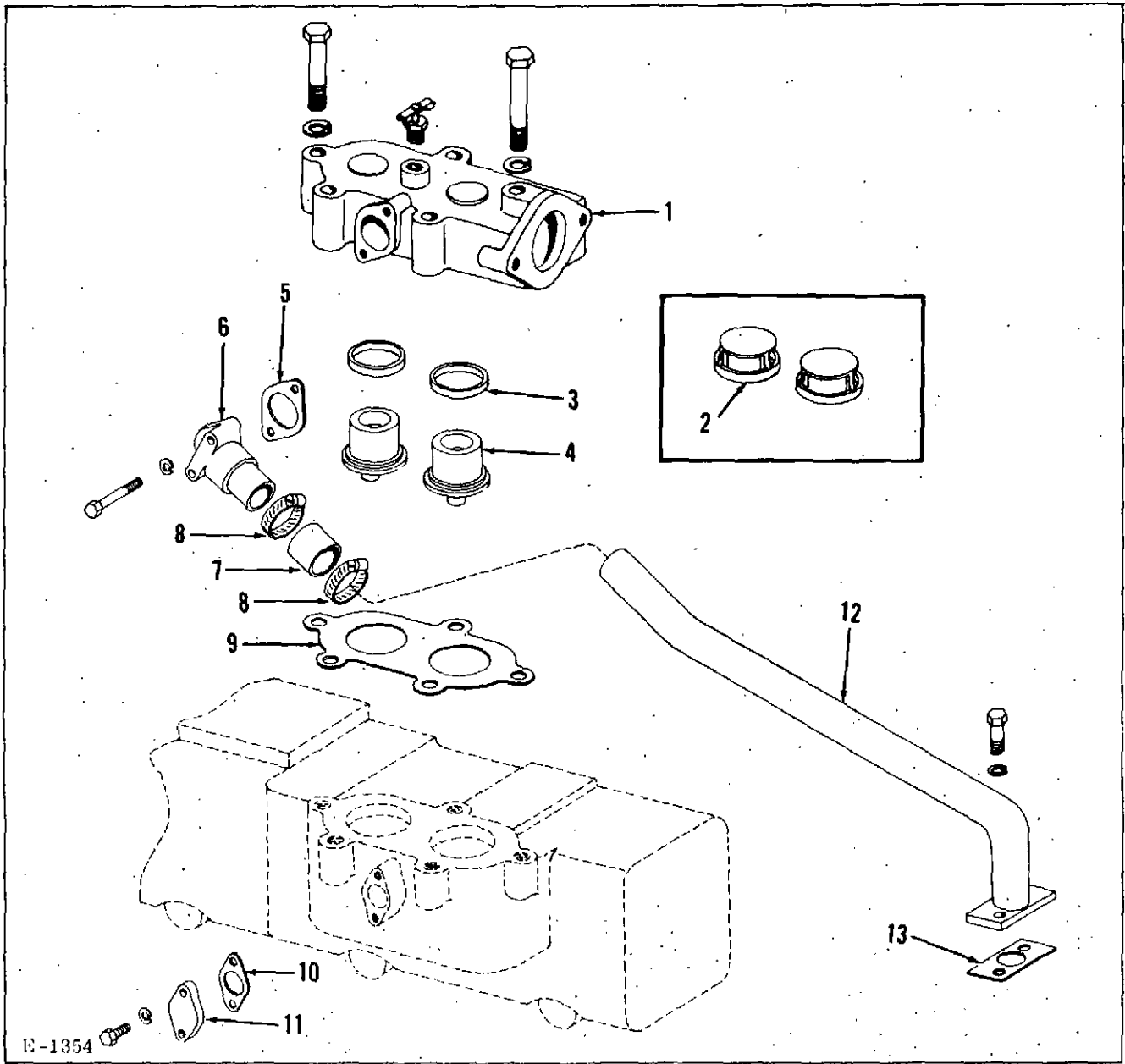
T-33913

THERMOSTAT & BY-PASS
 (Used w/Water Cooled Exhaust Manifold)
 10000 & 11000
 Power Unit & Diesel Electric Set
 USAGE: Prior to Serial No. 124119

ITEM	PART NUMBER	QTY.	DESCRIPTION	PACKAGE NO.
1	4379916	1	THERMOSTAT, (170°)	
	4378269	1	THERMOSTAT, (180°)	
2	4376118	1	COVER, thermostat	
	901651	1	PLUG, pipe, sq. hd., 1/8" P.T.	
	916257	4	CAPSCREW, 7/16" NC x 2-1/2"	
	918740	1	CAPSCREW, 7/16" NC x 4"	
	904207	5	LOCKWASHER, 7/16"	

THERMOSTAT & BY-PASS (CONTINUED)
 (Used w/Water Cooled Exhaust Manifold)
 10000 & 11000
 Power Unit & Diesel Electric Set
 USAGE: Prior to Serial No. 124119

ITEM	PART NUMBER	QTY.	DESCRIPTION	PACKAGE NO.
3	4310257	1	GASKET, water outlet tube (4339233) (4339266) (4337471)	
4	4337601	1	TUBE, water outlet (to Radiator) (4337471) (4339233) (4339266)	
	916197	2	CAPSCREW, 7/16" NC x 1-1/4"	
	904207	2	LOCKWASHER, 7/16"	
5	4376520	1	GASKET, thermostat cover	
6	4348218	1	GASKET, by-pass tube mounting	4359120
7	4337288	1	TUBE ASSY., thermostat by-pass	
	914670	2	CAPSCREW, 5/16" NC x 1-1/8"	
	904205	2	LOCKWASHER, 5/16"	
8	4254294	2	O-RING, by-pass tube	4354291
9	4336267	1	FLANGE, by-pass tube	
	919224	1	CAPSCREW, 3/8" NC x 1-1/8"	
	910948	1	CAPSCREW, 3/8" NC x 2"	
	904206	2	LOCKWASHER, 3/8"	
10	4347031	1	GASKET, flange	4359120



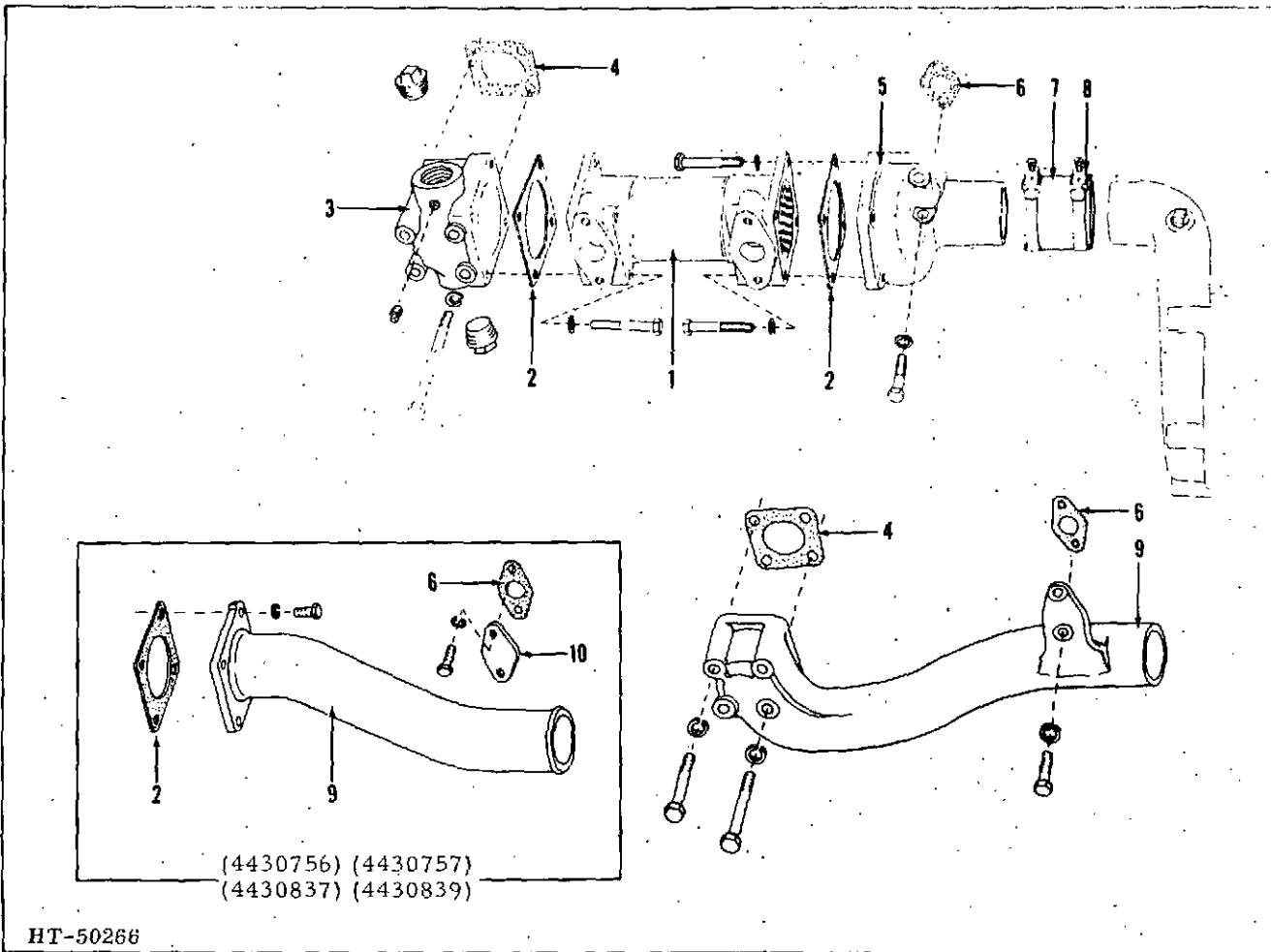
E-1354

THERMOSTAT
 (Used w/Water Cooled Exhaust Manifold)
 10000 & 11000
 Power Unit & Diesel Electric Set
 USAGE: Effective w/Serial No. 124119

ITEM	PART NUMBER	QTY.	DESCRIPTION	PACKAGE NO.
1	4385938	1	COVER ASSY., thermostat (Incl. Items 2 & 3) (Prior to Serial No. 10-12740 & 11-11535)	
	4389036	1	COVER ASSY., thermostat (Incl. Item 3) (Effective w/Serial No. 10-12740 & 11-11535)	
	918395	4	CAPSCREW, 7/16" NC x 3-1/4"	
	918740	1	CAPSCREW, 7/16" NC x 4"	
	904207	5	LOCKWASHER, 7/16"	
	912415	2	COCK, drain, 1/4" NPTF (for venting air)	

THERMOSTAT (CONTINUED)
 (Used w/Water Cooled Exhaust Manifold)
 10000 & 11000
 Power Unit & Diesel Electric Set
 USAGE: Effective w/Serial No. 124119

ITEM	PART NUMBER	QTY.	DESCRIPTION	PACKAGE NO.
2	4317553	2	BUSHING, cover (Prior to Serial No. 10-12740 & 11-11535)	
3	4317554	2	SEAL, cover	
4	4354537	2	THERMOSTAT, (180°)	
5	4386137	1	GASKET, elbow by-pass	
6	4338866	1	ELBOW, water by-pass	
	912069	2	CAPSCREW, 3/8" NC x 2-1/2"	
	904206	2	LOCKWASHER, 3/8"	
7	4369981	1	HOSE, elbow to tube	
8	922198	2	CLAMP, hose	
9	4376520	1	GASKET, cover	
10	4348218	1	GASKET, flange	4359120
11	4338131	1	PLATE, hole cover	
	915813	2	CAPSCREW, 5/16" NC x 7/8"	
	904205	2	LOCKWASHER, 5/16"	
12	4338864	1	TUBE, water by-pass	
	919224	2	CAPSCREW, 3/8" NC x 1-1/8"	
	904206	2	LOCKWASHER, 3/8"	
13	4347031	1	GASKET, by-pass tube	4359120



OIL COOLER & WATER INLET MANIFOLD
 Power Unit & Diesel Electric Set
 * 10000 Engine (4336981)
 ** 11000 Engine (Standard)

ITEM	PART NUMBER	QTY. * **	DESCRIPTION	PACKAGE NO.
1	4336596	1 1	COOLER, lubrication oil-	
	912069	8 8	CAPSCREW, 3/8" NC x 2-1/2"	
	904206	8 8	LOCKWASHER, 3/8"	
2	4349984	2 2	GASKET, oil cooler	
	4430499	1 -	GASKET, water inlet manifold (4430756) (4430757) (4430837) (4430839)	
3	4348099	1 1	CONNECTION, water outlet (Prior to Serial No. 113447)	
	4337210	1 1	CONNECTION, water outlet (Effective w/Serial No. 113447) (4430837) (4430839) (4430756) (4430757)	
	919293	2 2	CAPSCREW, 3/8" NC x 5"	
	904206	4 4	LOCKWASHER, 3/8"	
	919227	2 2	CAPSCREW, 3/8" NC x 3-1/4"	
	920416	2 2	PLUG, pipe hex. hd., 1/2" P. T. (Effective w/Serial No. 113447)	
4	4348184	1 1	GASKET, water outlet	4359120

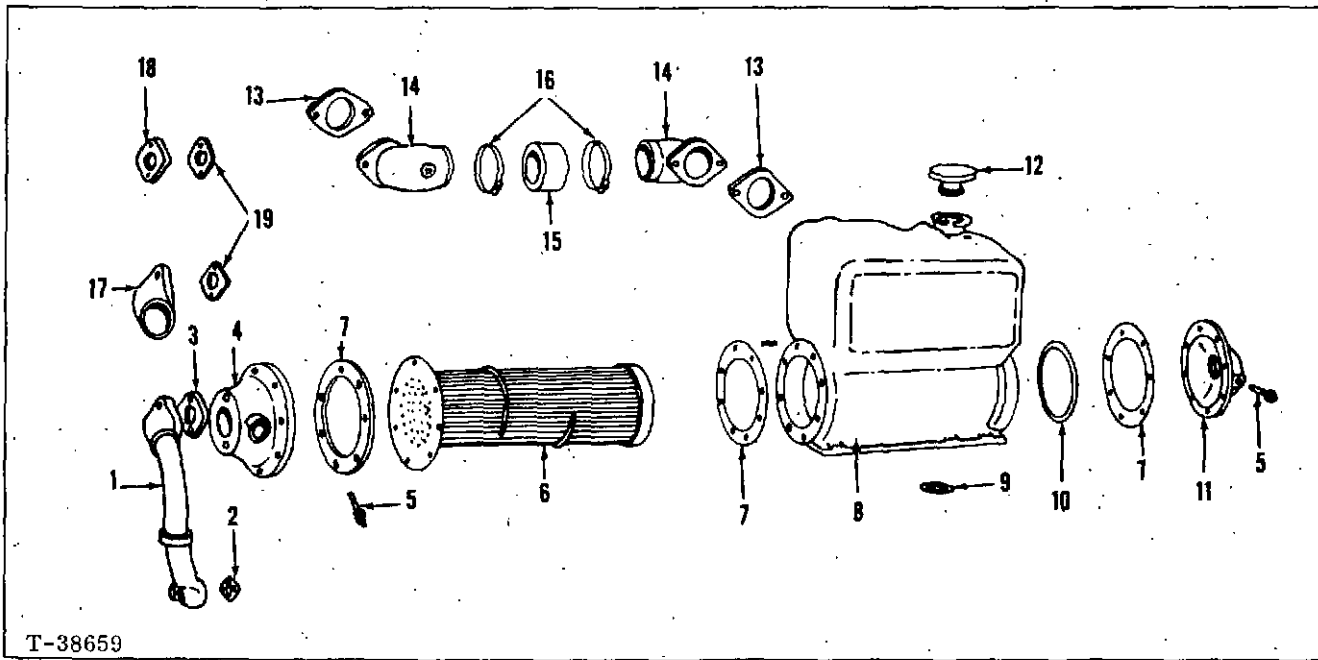
OIL COOLER & WATER INLET MANIFOLD (CONTINUED)

Power Unit & Diesel Electric Set

* 10000 Engine (4336981)

** 11000 Engine (Standard)

ITEM	PART NUMBER	QTY. * **	DESCRIPTION	PACKAGE NO.
5	4348100	1 1	CONNECTION, water inlet	
	916273	2 2	CAPSCREW, 3/8" NC x 1-3/4"	
	904206	2 2	LOCKWASHER, 3/8"	
6	4348185	1 1	GASKET, water inlet (Standard)	4359120
	4001687	1 -	GASKET, water inlet (4430756) (4430757) (4430837)	
7	-----	1 1	HOSE, water pump	(See WATER PUMP)
8	-----	2 2	CLAMP, hose	
9	4034474	1 -	MANIFOLD, water inlet (Standard)	
	4430565	1 -	MANIFOLD, water inlet (4430756) (4430757) (4430837) (4430839)	
9	916275	3 -	CAPSCREW, 3/8" NC x 3-3/4"	(Used with 4034474)
	919015	1 -	CAPSCREW, 3/8" NC x 3-1/2"	
	919225	2 -	CAPSCREW, 3/8" NC x 1-3/8"	
	904206	6 -	LOCKWASHER, 3/8"	(Used with 4430565)
	919358	4 -	CAPSCREW, 3/8" NC x 1-1/8"	
916965	4 -	LOCKWASHER, 3/8"		
10	4511053	1 -	COVER, by-pass outlet flange (4430756) (4430757) (4430839) (4430837)	
	919358	2 -	CAPSCREW, 3/8" NC x 1-1/8"	
	916965	2 -	LOCKWASHER, 3/8"	



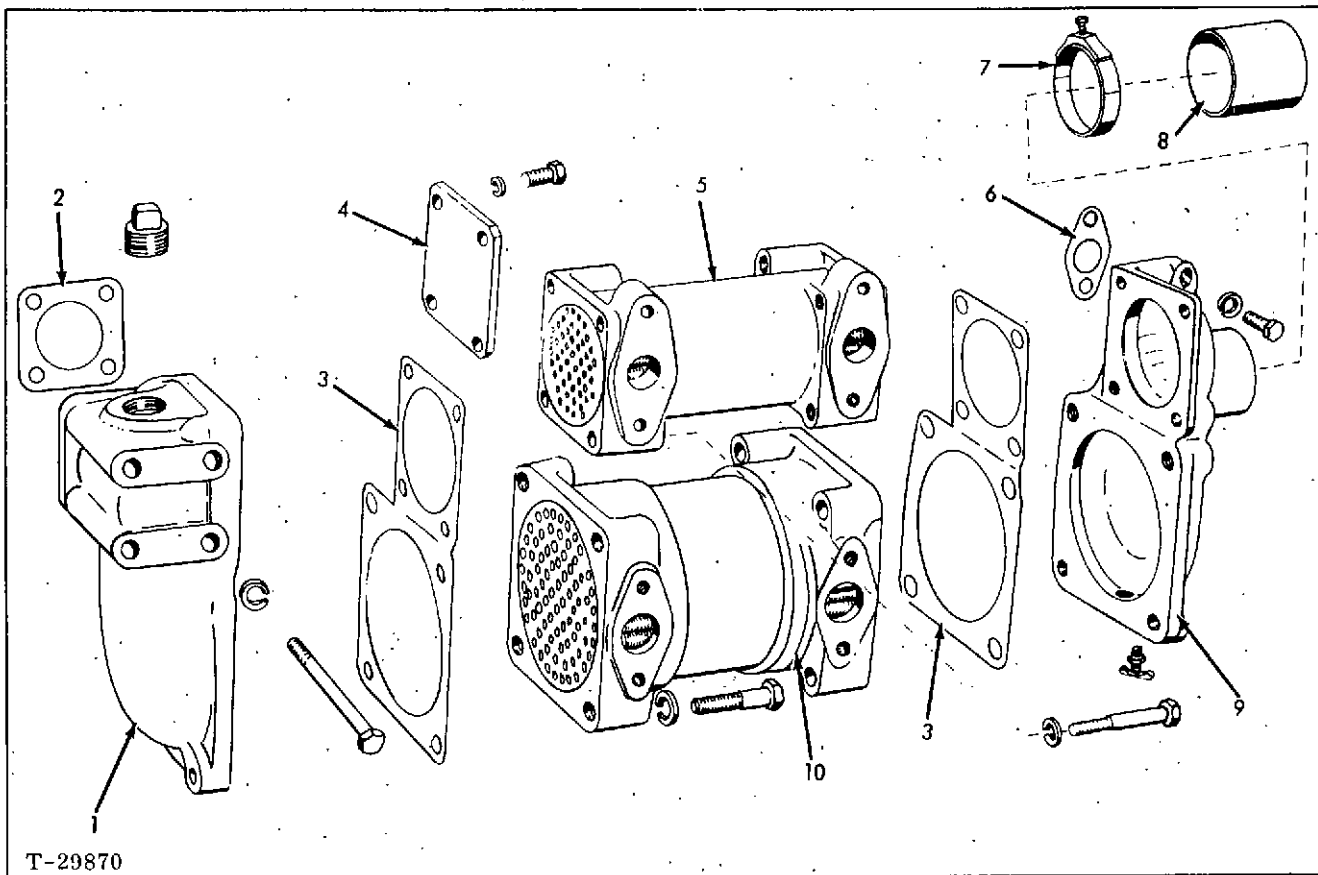
T-38659

HEAT EXCHANGER
 (Used w/Water Cooled Exhaust Manifold & Raw Water Pump)
 10000 & 11000
 Power Unit & Diesel Electric Set
 (4338083) (4430787)

ITEM	PART NUMBER	QTY.	DESCRIPTION	PACKAGE NO.
1	4337311	1	TUBE ASSY., (Raw Water Pump to Heat Exchanger) (4338084 only)	
	916272	2	CAPSCREW, 3/8" NC x 1-1/4" (to Heat Exchanger)	
	904206	2	LOCKWASHER, 3/8"	
	913730	2	CAPSCREW, 5/16" NC x 2-1/4" (to Water Pump)	
	904205	2	LOCKWASHER, 5/16"	
2	4337332	1	GASKET, tube (Raw Water Pump End)	} (4338084)
3	4315259	1	GASKET, tube (Heat Exchanger End)	
4	4337290	1	BONNET, end inlet	
	916272	8	CAPSCREW, 3/8" NC x 1-1/4"	
	904206	8	LOCKWASHER, 3/8"	
5	4045150	2	PENCIL, zinc	
6	4337233	1	BUNDLE, tube	
7	4337235	3	GASKET, bonnet and tube bundle	
8	4337292	1	TANK, expansion	
	916272	6	CAPSCREW, 3/8" NC x 1-1/4"	
	904206	6	LOCKWASHER, 3/8"	
	916001	1	PIN, roll, 3/16" x 1"	
9	4750319	1	O-RING, expansion tank	
10	4255067	1	O-RING	

HEAT EXCHANGER (CONTINUED)
 (less raw water pump)
 10000 & 11000 Power Unit
 (4358975)

ITEM	PART NUMBER	QTY.	DESCRIPTION	PACKAGE NO.
9	923856	1	O-RING	
10	4338300	1	BONNET, end (outlet)	
	916272	8	CAPSCREW, 3/8" NC x 1-1/4"	
	904206	8	LOCKWASHER, 3/8"	
	915514	1	COCK, drain, 1/8" PT	
	917885	1	PLUG, pipe, 1/8" PT	
11	4045150	1	PENCIL, zinc	
12	4254804	1	CAP, filler	
13	4368993	2	GASKET, elbow	
14	4337219	2	ELBOW, water outlet	
	916868	4	CAPSCREW, 7/16" NC x 3-3/4"	
	904207	4	LOCKWASHER, 7/16"	
15	4255013	2	CLAMP, hose	
16	4361978	1	HOSE, water outlet	
17	4337234	1	PULLEY, water pump	
	921518	4	CAPSCREW, 5/16" NF x 1-3/4"	
	4114622	4	WASHER, annular	
	904205	4	LOCKWASHER, 5/16"	
18	4354918	1	SPACER, pulley, water pump	
	915430	4	CAPSCREW, 5/16" NF x 3/4"	
	904205	4	LOCKWASHER, 5/16"	
19	4354281	1	BELT, water pump	
20	923581	1	O-RING	
21	4641273	2	STUD, spacer	
	904209	2	LOCKWASHER, 5/8"	
	910124	2	NUT, 5/8" NC	
22	4337959	1	SPACER	
	913827	2	CAPSCREW, 5/8" NC x 1-1/4"	
	904209	2	LOCKWASHER, 5/8"	
23	4364865	1	BRACKET, engine front support (incl. CAP)	
	916009	10	WASHER, shimming, 1/32"	
	924694	2	CAPSCREW	
	4335550	2	LOCKWASHER	
24	4336491	2	LINER, bracket, front support	



T-29870

HEAT EXCHANGER
(Used with Torque Converter)
Power Unit

- * 11000 Engine w/Oil Cooler (4336918) (Std. on 4336895 Engine Assy.)
- ** 10000 Engine w/Oil Cooler (4337967)
- *** 10000 Engine w/o Oil Cooler (4337774)
- **** 10000 Engine w/Torque Converter (Std.)

ITEM	PART NUMBER	QTY.				DESCRIPTION	PACKAGE NO.
		*	**	***	****		
1	4335639	1	1	1	1	CONNECTION, water outlet (4338057)	
	918778	4	4	4	4	CAPSCREW, 3/8" NC x 4-3/4" (to Block)	
	904206	4	4	4	4	LOCKWASHER, 3/8"	
	920525	1	1	1	1	PLUG, pipe, hex. hd., 3/4" P.T.	
2	4348184	1	1	1	1	GASKET, water outlet connection	4359120
3	4335668	2	2	2	2	GASKET, cooler or cover plate (4338057)	4359120
4	4337561	-	-	2	2	PLATE, cover (Water Connection)	
	916271	-	-	8	8	CAPSCREW, 3/8" NC x 1"	
	904206	-	-	8	8	LOCKWASHER, 3/8"	
5	4336596	1	1	-	-	COOLER, oil, engine (4338057)	
	912069	8	8	-	-	CAPSCREW, 3/8" NC x 2-1/2"	
	904206	8	8	-	-	LOCKWASHER, 3/8"	
6	4348185	1	1	1	1	GASKET, water inlet connection	4359120
7	-----	-	2	2	2	CLAMP, hose (See WATER PUMP)	
8	-----	-	1	1	1	HOSE, water (Pump to Cooler) (See WATER PUMP)	

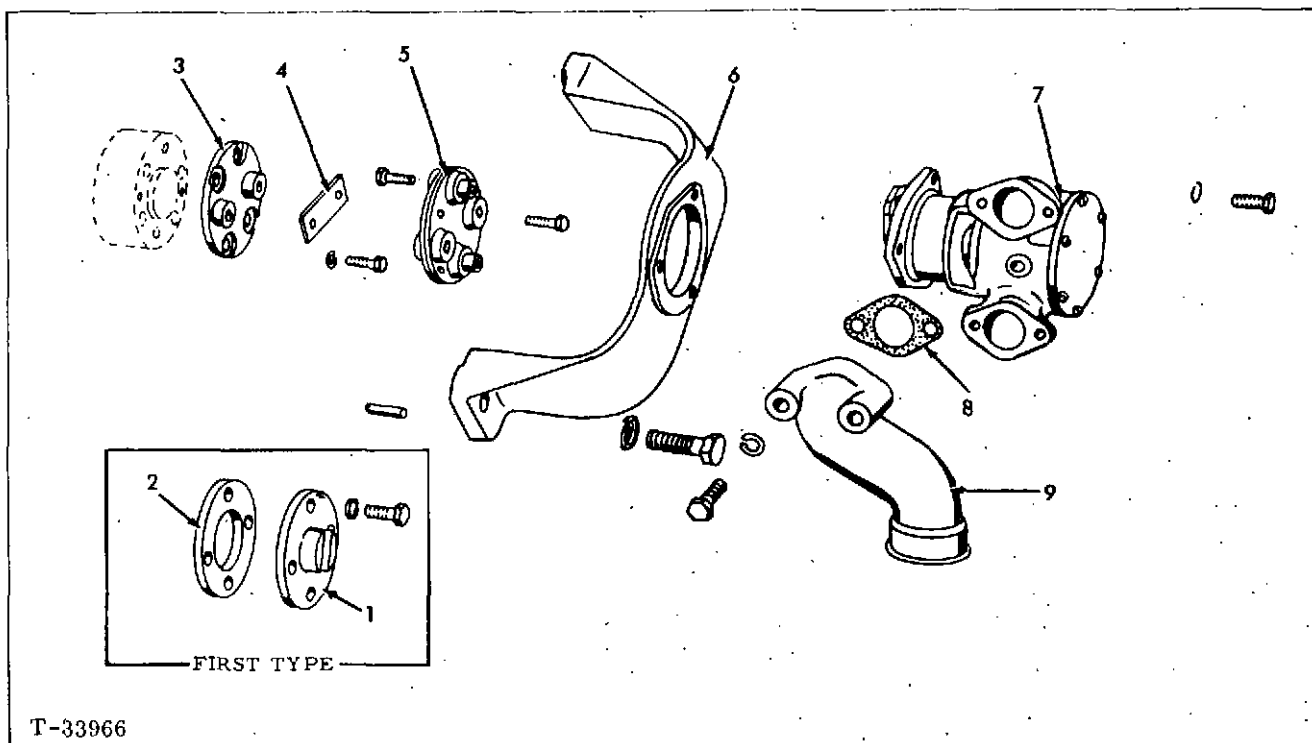
HEAT EXCHANGER (CONTINUED)

(Used with Torque Converter)

Power Unit

- * 11000 Engine w/Oil Cooler (4336918) (Std. on 4336895 Engine Assy.)
- ** 10000 Engine w/Oil Cooler (4337967)
- *** 10000 Engine w/o Oil Cooler (4337774)
- **** 10000 Engine w/Torque Converter (Std.)

ITEM	PART NUMBER	QTY.				DESCRIPTION	PACKAGE NO.
		*	**	***	****		
9	4347539	1	1	1	1	CONNECTION, water inlet (4338057)	
	916272	2	2	2	2	CAPSCREW, 3/8" NC x 1-1/4" (to Block)	
	904206	2	2	2	2	LOCKWASHER, 3/8"	
	912415	1	1	1	1	COCK, drain, 1/4"	
10	4354395	1	1	1	1	COOLER, oil (Torque Converter) (4338057)	
	916311	-	-	-	8	CAPSCREW, 1/2" NC x 1-1/4"	} (to Water Connections)
	916315	8	8	8	-	CAPSCREW, 1/2" NC x 2-1/4"	
	904208	-	8	8	8	LOCKWASHER, 1/2"	

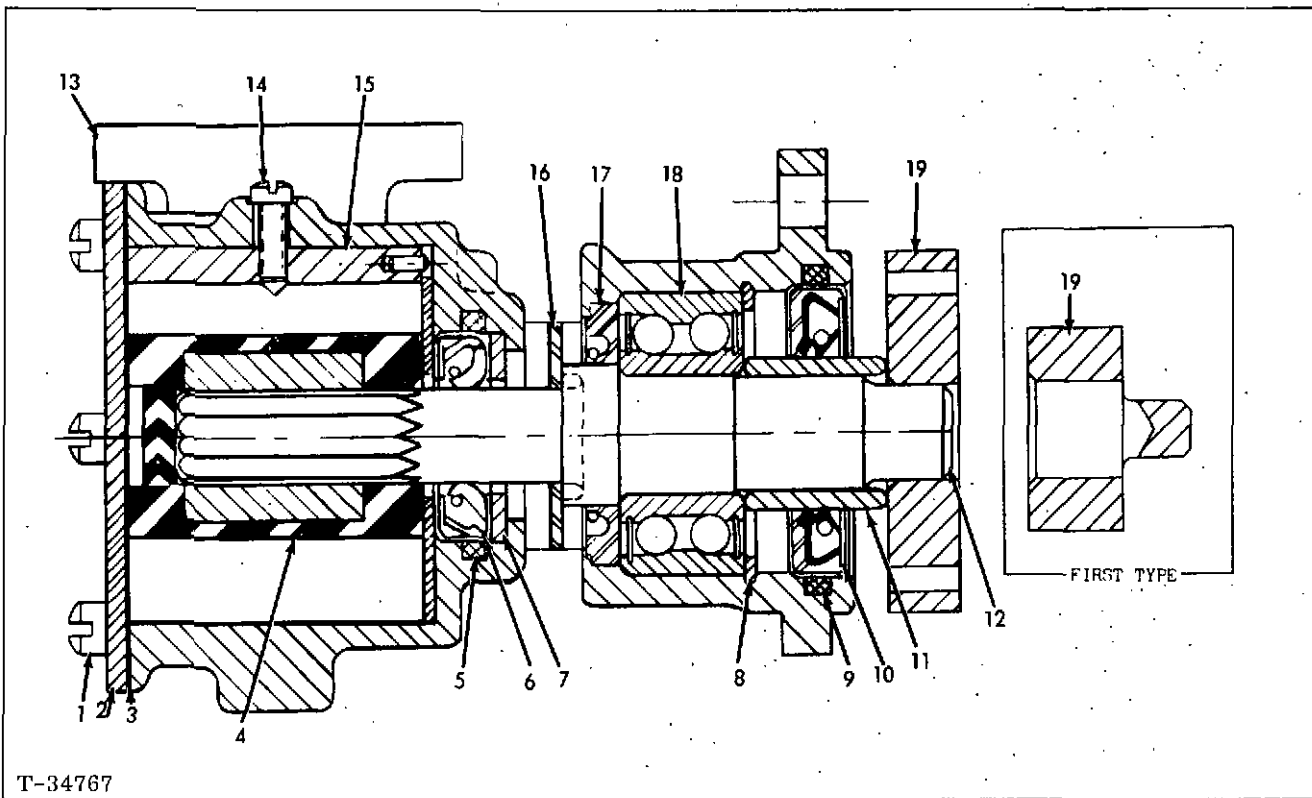


RAW WATER PUMP (4338084 & 4354948)
 (Used w/Heat Exchanger Cooling)
 10000 & 11000
 Power Unit & Diesel Electric Set
 * First Type
 ** Second Type

ITEM	PART NUMBER	QTY.		DESCRIPTION	PACKAGE NO.
		*	**		
1	4337238	1	-	SPACER, front	
	915807	4	-	CAPSCREW, 5/16" NC x 1-1/4"	
	904205	4	-	LOCKWASHER, 5/16"	
2	4337239	1	-	SPACER, intermediate	
3	4338250	-	1	ADAPTOR, water pump (Prior to Serial No. 10-10889 & 11-10089)	
	4338102	-	1	ADAPTOR, water pump (Effective w/Serial No. 10-10889 & 11-10089)	
	914670	-	4	CAPSCREW, 5/16" NC x 1-1/8"	
	904205	-	4	LOCKWASHER, 5/16"	
4	4338117	-	1	SHIM, laminated, 3/32" thick (.003" laminations)	
5	4338116	-	1	COUPLING, flexible	
	916285	-	4	CAPSCREW, 1/4" NC x 1"	
	906958	-	4	LOCKWASHER, 1/4"	
6	4337298	1	1	BRACKET, water pump	
	907548	2	2	PIN, dowel, 1/4" x 1-1/4"	
	916313	2	2	CAPSCREW, 1/2" NC x 1-3/4"	
	904208	2	2	LOCKWASHER, 1/2"	

RAW WATER PUMP (4338084 & 4354948) (CONTINUED)
 (Used w/Heat Exchanger Cooling)
 10000 & 11000
 Power Unit & Diesel Electric Set
 * First Type
 ** Second Type

ITEM	PART NUMBER	QTY. * **	DESCRIPTION	PACKAGE NO.
7	-----	1 -	PUMP ASSY., raw water (Order 4338119 WATER PUMP & Items 3, 4, 5 & 4338101 SPACER)	
	4338119	- 1	PUMP ASSY., raw water (See Page 152 for Components)	
	915430	3 3	CAPSCREW, 5/16" NF x 3/4"	
	904205	3 3	LOCKWASHER, 5/16"	
8	4337332	1 1	GASKET, elbow (2 required f/4354948 Group)	
9	4337246	1 1	ELBOW, flange (Raw Water Pump) (2 required f/4354948 Group)	
	921160	2 2	CAPSCREW, 5/16" NC x 2-1/4" } (4 required	
	904205	2 2	LOCKWASHER, 5/16" } f/4354948 Group)	
10	4354427	- 1	HOSE, pump to heat exchanger } (Not Illustrated)	
11	4255011	- 2	CLAMP, hose } (f/4354948 Group Only)	



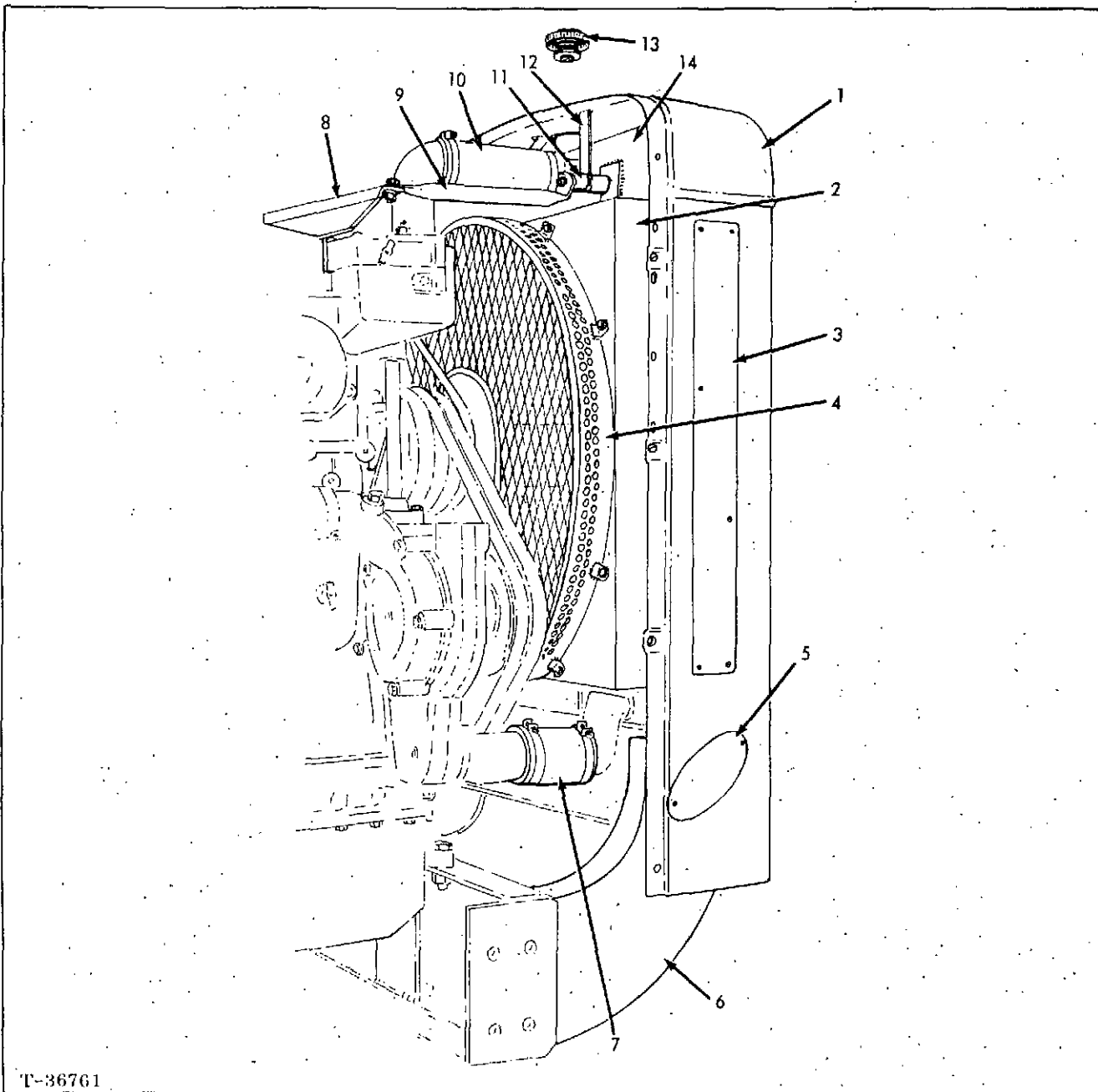
RAW WATER PUMP ASSEMBLY - 4338119
 10000 & 11000
 Power Unit & Diesel Electric Set

USAGE: See Page 151

ITEM	PART NUMBER	QTY.	DESCRIPTION	PACKAGE NO.
1	4050446	6	SCREW, fillister head	
2	4054077	1	COVER, end	
3	4044861	1	GASKET, end cover	
4	4050440	1	IMPELLER ASSY.	
5	4054083	1	O-RING	
6	4054085	1	SEAL	
7	4054078	1	SPACER, seal	
8	4050449	1	RING, retaining	
9	4054084	1	O-RING	
10	4054086	1	SEAL	
11	4054081	1	SLEEVE, shaft	
12	4054080	1	SHAFT	
13	4054079	1	BODY	
14	4054082	1	SCREW, fillister head	

RAW WATER PUMP ASSEMBLY - 4338119 (CONTINUED)
10000 & 11000
Power Unit & Diesel Electric Set

ITEM	PART NUMBER	QTY.	DESCRIPTION	PACKAGE NO.
15	4054076	1	CAM ASSY., (Incl. WEAR PLATE)	
16	4050443	1	SLINGER	
17	4044863	1	SEAL	
18	4044869	1	BEARING, ball	
19	4337232	1	COUPLING, (first type) (See M.N.I. for first replacement)	
	4338103	1	COUPLING, (second type)	



T-36761

RADIATOR & FAN GUARD
 10000 & 11000
 Power Unit & Diesel Electric Set

ITEM	PART NUMBER	QTY.	DESCRIPTION	PACKAGE NO.
}	4337158	1	RADIATOR ASSY., (Incl. Items 1 & 14) (4336908) (4430629) (4430631)	
	4337159	1	RADIATOR ASSY., (Incl. Items 1 & 14) (4336909) (4430630) (4430632)	
	4336070	4	LOCKNUT, mounting	
	912010	4	WASHER, plain, 1/2"	
	4348584	4	WASHER, rubber	

RADIATOR & FAN GUARD (CONTINUED)

10000 & 11000

Power Unit & Diesel Electric Set

ITEM	PART NUMBER	QTY.	DESCRIPTION	PACKAGE NO.
1	4337146	1	SHELL, radiator (Prior to Serial No. 115495)	
	4338175	1	SHELL, radiator (Effective w/Serial No. 115495)	
2	4053614	1	SHROUD, radiator fan	
	909008	6	SCREW, No. 10 NC x 3/8"	
3	4385795	2	PLATE, name, Allis-Chalmers (vertical)	
	914331	12	SCREW, self-tapping, No. 6 x 1/2"	
4	4336866	1	GUARD, fan (Prior to Serial No. 120675 f/Catalog Group 4336915) (Prior to Serial No. 117221 including Serial No. 117257 f/Catalog Group 4336917)	
	916002	6	SCREW, No. 14 NC x 5/8"	
	920187	6	LOCKWASHER, internal tooth, No. 14	
	4336867	1	EXTENSION, fan guard (Used w/o Tachometer or Overspeed Governor) (4336917) (Prior to Serial No. 117221 including Serial No. 117257) (Not Illustrated)	
	916284	3	CAPSCREW, 1/4" NC x 1/2"	
	904204	3	LOCKWASHER, 1/4"	
	910880	3	NUT, 1/4" NC	
	916002	2	SCREW, No. 14 NC x 5/8"	
	920187	2	LOCKWASHER, internal tooth, No. 14	
	4338077	1	GUARD, fan (4430629) (4430630) (4430631) (4430632) (Effective w/Serial No. 120675 f/Catalog No. 4336915)	
	921475	8	SCREW, No. 14 x 3/4"	(6 only req'd. f/ Catalog Group 4336915)
	920187	8	LOCKWASHER, internal tooth No. 14.	
	913168	8	WASHER, flat, No. 14	
4338076	1	GUARD, fan (4336917) (Effective w/Serial No. 117221 except Serial No. 117257)		
921475	8	SCREW, No. 14 x 3/4"		
920187	8	LOCKWASHER, internal tooth, No. 14		
913168	8	WASHER, flat, No. 14		
5	4337879	2	PLATE, name (10000) (4430629) (4430631) (4336908)	
	4337880	2	PLATE, name (11000) (4430630) (4430632) (4336909)	
	914331	4	SCREW, self-tapping	
6	4336808	2	BRACKET, support, radiator	
	913827	4	CAPSCREW, 5/8" NC x 1-1/4"	
	904209	4	LOCKWASHER, 5/8"	
	910308	4	NUT, 5/8" NC	
7	4015851	1	HOSE, radiator outlet	
	919789	2	CLAMP, hose, strap type, 12" lg.	

Continued

RADIATOR & FAN GUARD (CONTINUED)
10000 & 11000
Power Unit & Diesel Electric Set

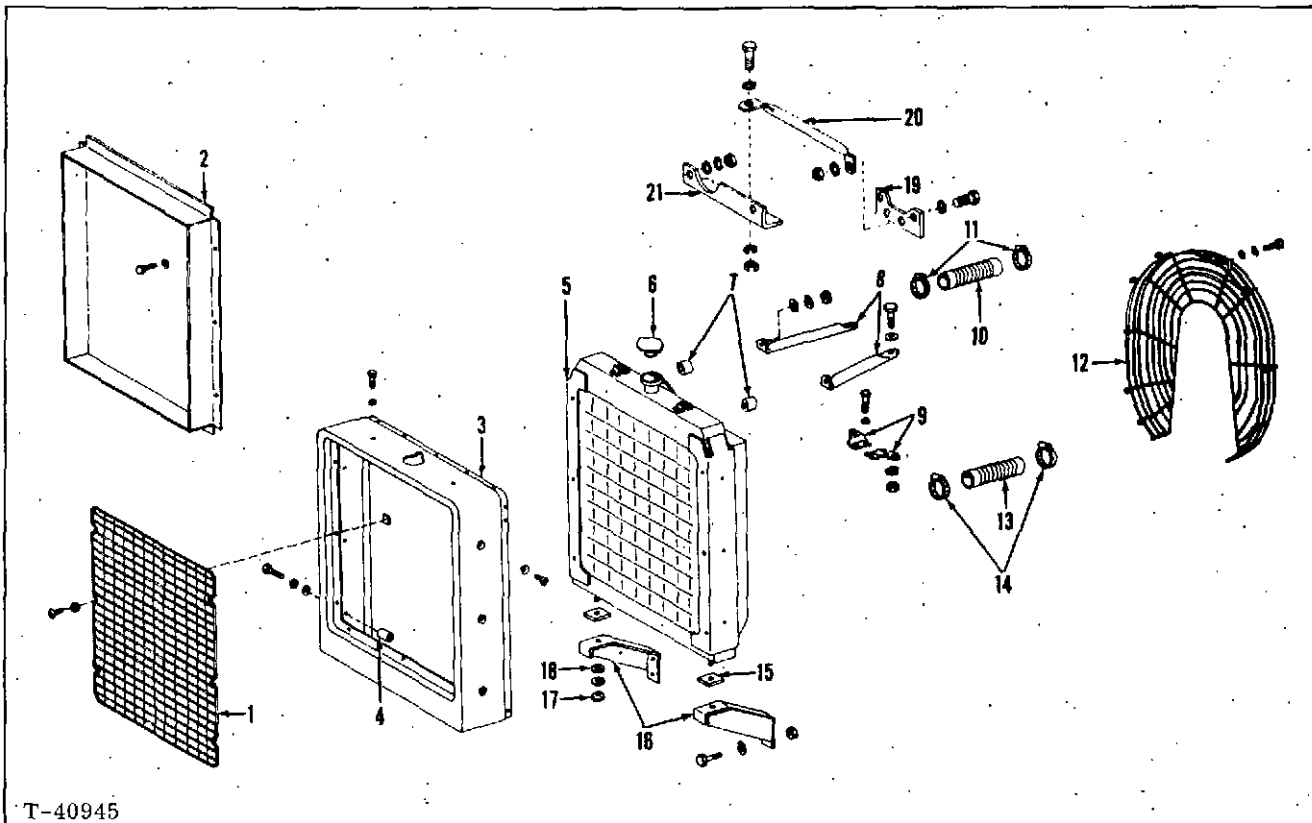
ITEM	PART NUMBER	QTY.	DESCRIPTION	PACKAGE NO.
8	4336800	1	BRACKET, radiator brace (Prior to Serial No. 124119 except 116694, 116695, & 116697 f/10000 Engines & 11-01001 f/11000 Engines)	
	4339091	1	BRACKET, radiator brace (R. H.) (Effective on 10000 Engines w/Serial No. 124119 plus 116694, 116695, & 116697 & on 11000 Engines w/Serial No. 11-01001)	
	4339088	1	BRACKET, radiator brace (L. H.) (Effective on 10000 Engines w/Serial No. 124119 plus 116694, 116695, & 116697 & on 11000 Engines w/Serial No. 11-01001)	
	919015	4	CAPSCREW, 3/8" NC x 3-1/2"	
	904206	4	LOCKWASHER, 3/8"	
	4337447	1	BRACKET, radiator brace (4337471)	
	916269	2	CAPSCREW, 3/8" NC x 7/8"	
	904206	2	LOCKWASHER, 3/8"	
	4337446	1	BRACKET, brace, lower (Not Illustrated) (4337471)	
	916255	2	CAPSCREW, 7/16" NC x 1-3/4"	
9	4338288	1	BRACE, radiator (R. H.)	
	4338289	1	BRACE, radiator (L. H.)	
	4337448	2	BRACE, radiator (Used w/Water Cooled Exhaust Manifold) (4337471)	
	916269	2	CAPSCREW, 3/8" NC x 7/8"	} (to Bracket)
	904206	2	LOCKWASHER, 3/8"	
	910324	2	NUT, (4 used w/4337448), 3/8" NC	} (to Vibration Dampener)
	910880	2	NUT, 1/4" NC	
	904204	2	LOCKWASHER, 1/4"	
	900816	2	WASHER, plain, 1/4"	
	913544	2	WASHER, plain, 3/8" (Used w/4338288 & 4338289)	
10	4031353	1	HOSE, radiator inlet (Prior to Serial No. 124119 except 116694, 116695, & 116697 f/10000 Engines & 11-01001 f/11000 Engines) (4336908) (4336909) (4430629) (4430630) (4430631) (4430632)	
	4339093	1	HOSE, radiator inlet (Effective on 10000 Engines w/Serial No. 124119 plus 116694, 116695, & 116697 & on 11000 Engines Effective w/Serial No. 11-01001) (4336908) (4336909) (4430629) (4430630) (4430631) (4430632)	
	4502999	1	HOSE, radiator inlet (Prior to Serial No. 118162) (4337471)	
	4013495	1	HOSE, radiator inlet (Effective w/Serial No. 118162) (4337471)	
	919789	2	CLAMP, hose, strap type, 12" lg.	
11	4401151	2	DAMPENER, vibration, radiator	

RADIATOR & FAN GUARD (CONTINUED)

10000 & 11000

Power Unit & Diesel Electric Set

ITEM	PART NUMBER	QTY.	DESCRIPTION	PACKAGE NO.
12	4338179	2	BRACE, radiator shell top (4430629) (4430630) (4430631) (4430632) (Effective w/Serial No. 115495 f/Catalog Group 4336908 & 4336909)	
	915343	2	CAPSCREW, 1/4" NC x 5/8"	
	904204	2	LOCKWASHER, 1/4"	
	913168	2	WASHER, plain, 1/4"	
	910880	2	NUT, 1/4" NC	
13	4369565	1	CAP, radiator pressure	
14	4337147	1	RADIATOR, (less shell) (Incl. Items 2, 13, 20, & 21) (4336908) (4430629) (4430631)	
	4337148	1	RADIATOR, (less shell) (Incl. Items 2, 13, 20, & 21) (4336909) (4430630) (4430632)	
15	4430754	1	DUCT, radiator air (R. H.)	(Not Illustrated) (4430758)
	4430753	1	DUCT, radiator air (L. H.)	
	916271	6	CAPSCREW, 3/8" NC x 1"	
	904206	6	LOCKWASHER, 3/8"	
	910324	6	NUT, 3/8" NC	
16	4430755	2	DUCT, radiator air, top & bottom	(Not Illustrated) (4430758)
	915343	8	CAPSCREW, 1/4" NC x 5/8"	
	904204	8	LOCKWASHER, 1/4"	
	910880	8	NUT, 1/4" NC	
17	4337499	2	SPACER, radiator shell support (lower) (Not Illustrated)	(Not Illustrated)
	918237	2	CAPSCREW, 1/4" NC x 1-3/4"	
	913168	2	WASHER, 1/4"	
	904204	2	LOCKWASHER, 1/4"	
18	4348770	2	PAD, shim, vibration (Not Illustrated)	
19	4056176	1	TUBE, overflow	(Not Illustrated)
20	4054539	2	CLIP, overflow tube	



T-40945

RADIATOR & FAN GUARD
10000 & 11000
Power Unit & Diesel Electric Set

ITEM	PART NUMBER	QTY.	DESCRIPTION	PACKAGE NO.
1	4430993	1	GRILL, radiator (Used w/Sheet Metal) (4339235)	
	919351	12	CAPSCREW, 1/4" NC x 7/8"	
	916964	12	LOCKWASHER, 1/4"	
	4255473	12	NUT, speed	
	4389624	12	CLIP	
	4430869	1	GUARD, core (Used w/Sheet Metal Shell) (4339236)	
	916019	6	CAPSCREW, 1/4" NC x 3/4"	
	916964	6	LOCKWASHER, 1/4"	
	4389624	6	CLIP	
	2	4430888	1	ADAPTOR ASSY., air duct (Cannot be used w/Core Guard) (4430865)
908295		6	CAPSCREW, 1/4" NC x 1/2"	
916964		6	LOCKWASHER, 1/4"	
3	4430887	1	SHELL, radiator (4339234)	
	918214	6	SCREW, 1/4" NC x 5/8"	
	912300	6	LOCKWASHER, 1/4"	
	907722	2	SCREW, 1/4" NC x 5/8"	
	916964	2	LOCKWASHER, 1/4"	
4	4430918	2	SPACER, radiator shell (4339234)	
	915599	2	CAPSCREW, 1/4" NC x 2-3/4"	
	918264	2	WASHER, 1/4"	
	916964	2	LOCKWASHER, 1/4"	

RADIATOR & FAN GUARD (CONTINUED)

10000 & 11000

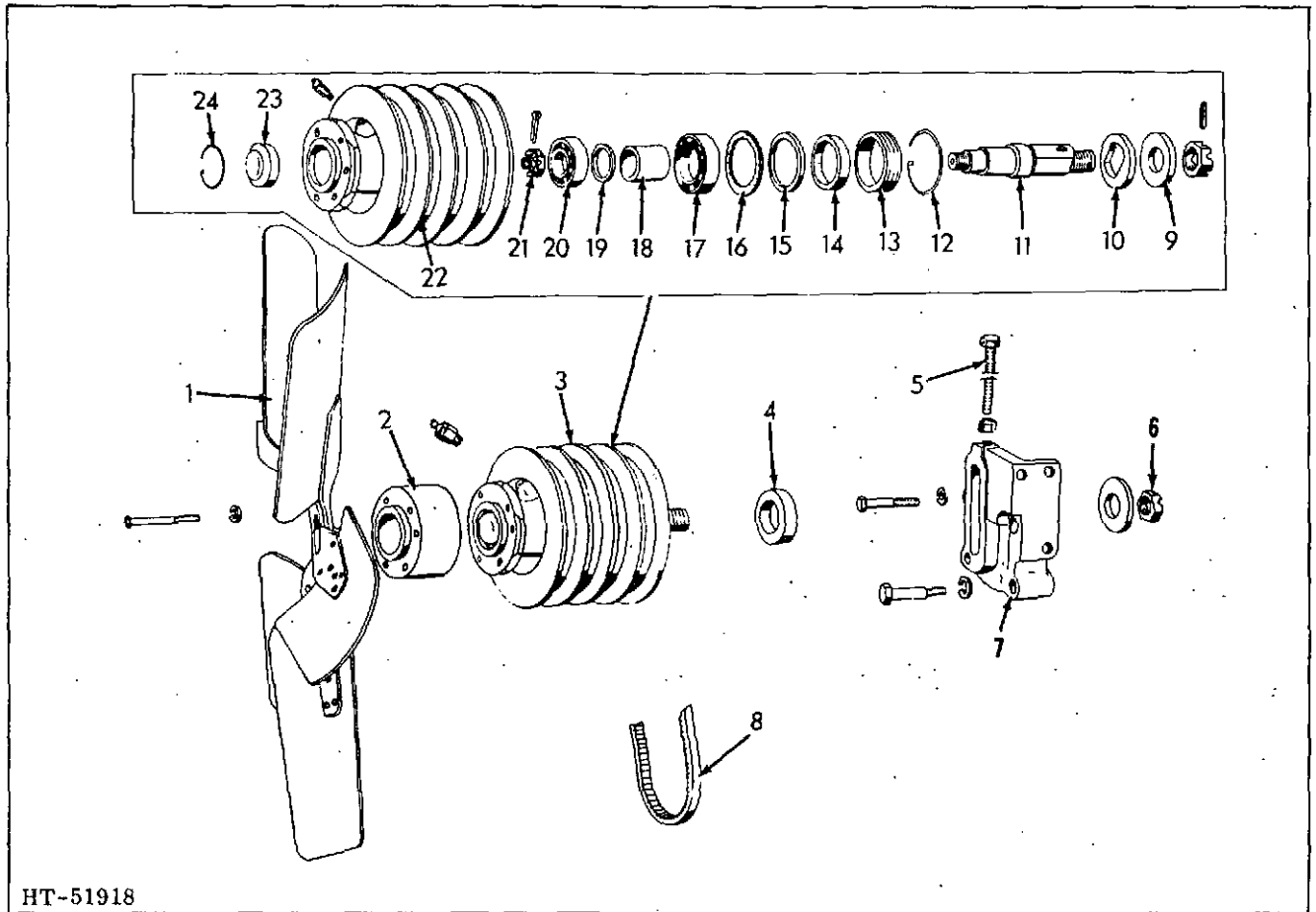
Power Unit & Diesel Electric Set

ITEM	PART NUMBER	QTY.	DESCRIPTION	PACKAGE NO.
5	4430891	1	RADIATOR ASSY., (10000 Engine) (Incl. Item 6) (4339067) (4339233)	
	4430874	1	RADIATOR ASSY., (11000 Engine) (Incl. Item 6) (4339264) (4339266)	
6	4254804	1	CAP, radiator	
7	4401151	2	DAMPER, vibration (4339067) (4339233) (4339264) (4339266)	
	4338987	1	BRACE, radiator (R. H.) (4339067) (4339264)	
	4338988	1	BRACE, radiator (L. H.) (4339067) (4339264)	
8	900816	1	WASHER, plain, 1/4"	
	904204	2	LOCKWASHER, 1/4"	
	910880	2	NUT, 1/4" NC	
	916269	2	CAPSCREW, 3/8" NC x 7/8"	
	904206	2	LOCKWASHER, 3/8"	
	913544	1	WASHER, plain, 3/8"	
	910324	2	NUT, 3/8" NC	
	4339091	1	BRACKET, radiator brace (R. H.) (4339264) (4339067)	
9	4339088	1	BRACKET, radiator brace (L. H.) (4339264) (4339067)	
	919015	2	CAPSCREW, 3/8" NC x 3-1/2"	
	904206	2	LOCKWASHER, 3/8"	
10	4030808	1	HOSE, radiator inlet (4339264) (4339067)	
	4015373	1	HOSE, radiator inlet (4339233) (4339266)	
11	4255012	2	CLAMP, hose (4339264) (4339067) (4339233) (4339266)	
12	4338076	1	GUARD, fan (4339253)	
	921332	8	CAPSCREW, 5/16" NC x 3/4"	
	904205	8	LOCKWASHER, 5/16"	
	910335	8	WASHER, flat, 5/16"	
13	4363119	1	HOSE, radiator outlet (4339264) (4339067) (4339233) (4339266)	
14	4255013	2	CLAMP, hose (4339264) (4339067) (4339233) (4339266)	
15	4407995	2	PAD, vibration shim (4339264) (4339067) (4339233) (4339266)	
	4430873	1	SUPPORT, radiator (L. H.) (4339264) (4339067) (4339233) (4339266)	
	4430870	1	SUPPORT, radiator (R. H.) (4339264) (4339067) (4339233) (4339266)	
16	913827	4	CAPSCREW, 5/8" NC x 1-1/4"	
	904209	4	LOCKWASHER, 5/8"	
	910308	4	NUT, 5/8" NC	
17	4336070	2	NUT	
	912010	2	WASHER, 1/2"	
18	4348584	2	WASHER, rubber	

Continued

RADIATOR & FAN GUARD (CONTINUED)
10000 & 11000
Power Unit & Diesel Electric Set

ITEM	PART NUMBER	QTY.	DESCRIPTION	PACKAGE NO.
19	4337447	1	BRACKET, brace (4339233) (4339266)	
	916197	2	CAPSCREW, 7/16" NC x 1-1/4"	
	904207	2	LOCKWASHER, 7/16"	
20	4339265	1	BRACE, radiator (4339233) (4339266)	
	916269	2	CAPSCREW, 3/8" NC x 7/8"	
	904206	2	LOCKWASHER, 3/8"	
	910324	2	NUT, 3/8" NC	
21	4337446	1	BRACKET, radiator (4339233) (4339266)	
	900816	2	WASHER, 1/4"	
	904206	2	LOCKWASHER, 1/4"	
	910880	2	NUT, 1/4" NC	
22	924304	2	DECAL, vertical (Allis-Chalmers) (4339233) (4339266) (4339067) (4339264) (Not Illustrated)	
23	4354941	2	CHROME CAL, (10000 Engine) (4339233) (4339266) (4339067) (Not Illustrated)	
24	4354942	2	CHROME CAL, (11000 Engine) (4339233) (4339266) (4339264) (Not Illustrated)	
25	924306	2	CHROME CAL, (Allis-Chalmers) (4354945) (Not Illustrated)	
26	4354944	2	CHROME CAL, (11000) (4354945) (Not Illustrated)	



HT-51918

FAN & HUB
10000 & 11000
Power Unit & Diesel Electric Set

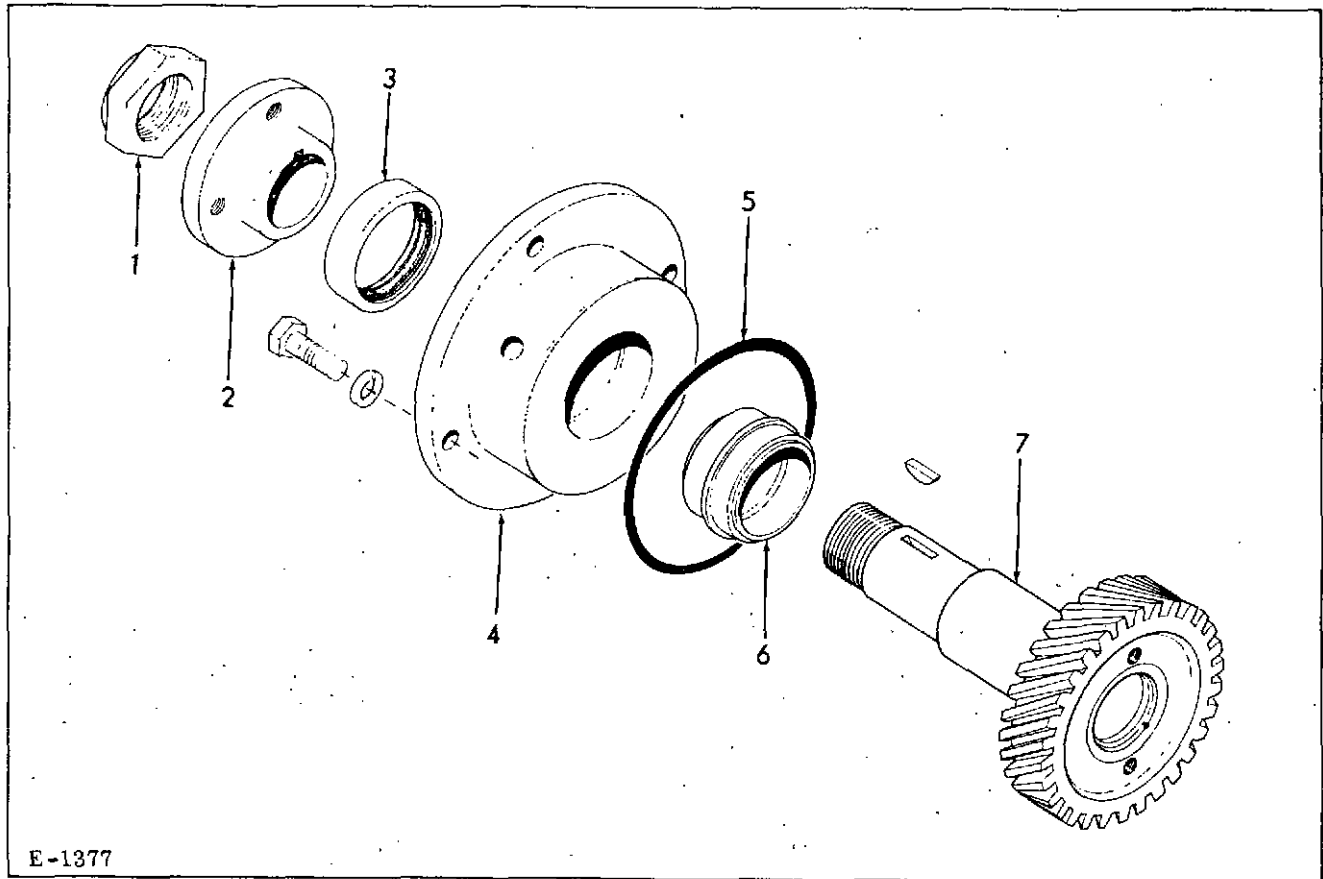
ITEM	PART NUMBER	QTY.	DESCRIPTION	PACKAGE NO.
1	4337606	1	BLADE, fan, 24" sucker (4336910) (4339077) (4430631)	
	4337605	1	BLADE, fan, 24" blower, 6 blade (4336911) (4339082) (4430629)	
	4337604	1	BLADE, fan, 24" sucker, 6 blade (4336912) (4339247) (4430632)	
	4337607	1	BLADE, fan, 24" blower, 6 blade (4336913) (4339248) (4430630)	
	4336322	1	BLADE, fan, 22" sucker, 6 blade (4338054)	
	922849	6	CAPSCREW, 3/8" NC x 4" (4339077) (4339247)	
	919227	6	CAPSCREW, 3/8" NC x 3-1/4" (4336910) (4336912) (4430631) (4430632) (4339082) (4339248)	
	912069	6	CAPSCREW, 3/8" NC x 2-1/2" (4336911) (4336913) (4338054) (4430629) (4430630)	
	904206	6	LOCKWASHER, 3/8"	

Continued

161

FAN & HUB (CONTINUED)
 10000 & 11000
 Power Unit & Diesel Electric Set

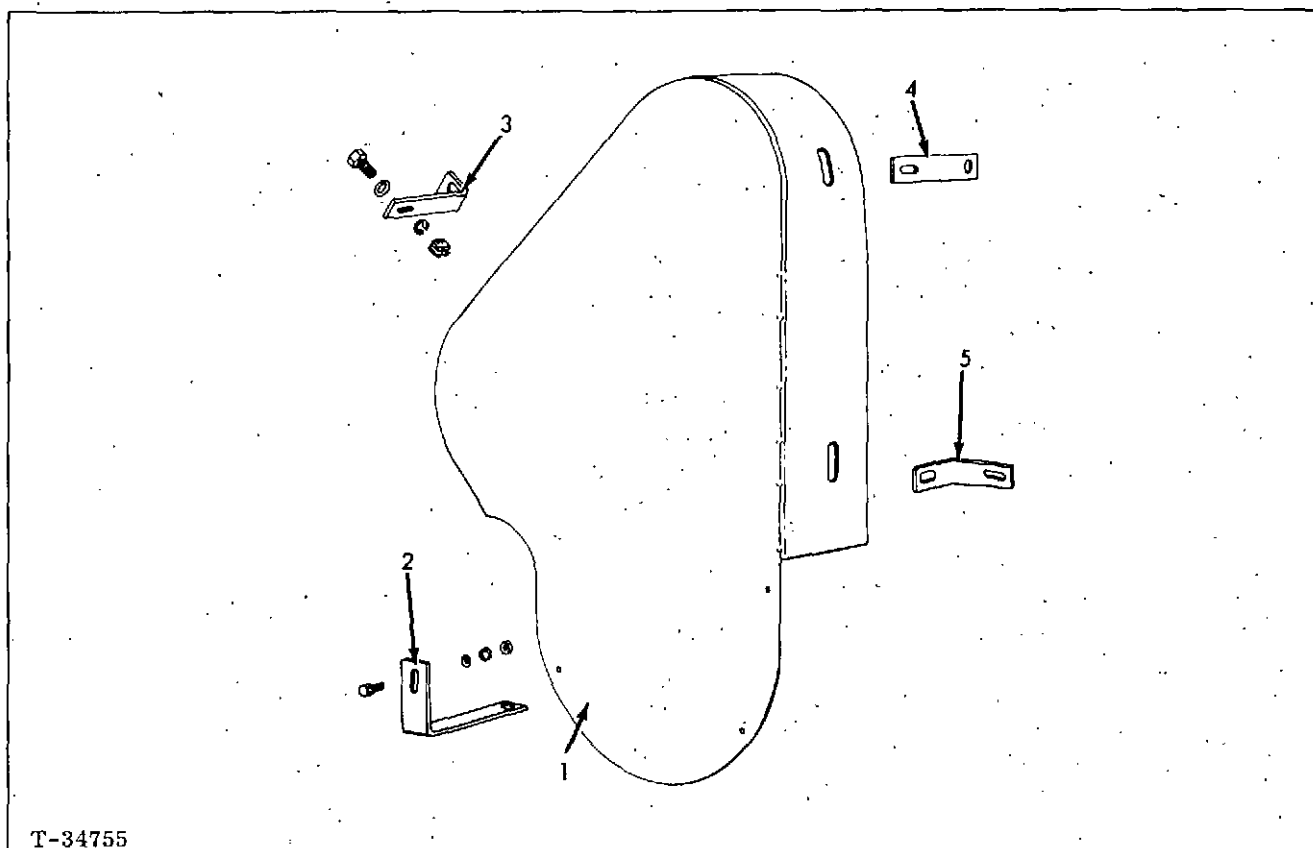
ITEM	PART NUMBER	QTY.	DESCRIPTION	PACKAGE NO.
2	4348551	1	SPACER, fan (4336910) (4336912) (4430631) (4430632) (4339082) (4339248)	
	4336870	1	SPACER, fan (4336911) (4336913) (4430629) (4430630)	
	4338039	1	SPACER, fan (4338054)	
	4349457	1	SPACER, fan (4339077) (4339247)	
3	4339464	1	HUB ASSY., fan (Incl. Items 9 thru 24)	
4	4347781	1	SPACER, fan hub	
5	4252241	1	SCREW, fan belt adjustment	
6	4339459	1	NUT, lock	
7	4336777	1	BRACKET, fan mounting	
	916317	3	CAPSCREW, 1/2" NC x 2-3/4"	
	904208	3	LOCKWASHER, 1/2"	
	915969	1	CAPSCREW, 1/2" NC x 3"	
	913432	1	WASHER, plain, .1/2"	
8	4338769	2	BELT, fan (Order as matched set)	
9	4371703	1	WASHER, plain, spindle clamping, rear	
10	4056232	1	WASHER, plain, spindle clamping, front	
11	4056068	1	SPINDLE (Prior to Serial No. 10-10974 & 11-10126 also order 1-4339459)	
12	4371707	1	RING, snap, fan hub	
13	4040386	1	RETAINER, spindle sealing washer	
14	4040385	1	WASHER, spindle sealing (Cork)	
15	4040384	1	WASHER, retaining, rear bearing	
16	4371710	1	GASKET, bearing retaining washer	
17	4253863	1	BEARING, ball, rear	
18	4040383	1	SPACER, spindle bearings	
19	4640978	1	WASHER, spacing, front bearing	
20	4253862	1	BEARING, ball, front	
21	4348502	1	NUT, spindle	
	911064	1	PIN, cotter, .1/8" x 1-3/8"	
22	4337046	1	HUB, fan	
	914465	2	FITTING, lubricating, 1/8" P.T.	
23	088561	1	CAP, hub	
24	4042081	1	RING, snap, cap retaining	



E-1377

AUXILIARY DRIVE
10000 & 11000
Power Unit
(4357719)

ITEM	PART NUMBER	QTY.	DESCRIPTION	PACKAGE NO.
-	4339903	1	DRIVE ASSY., fan (Incl. items 1 thru 4, 6 & 7)	
1	4335476	1	NUT, lock	
2	4354337	1	FLANGE, mounting, pulley	
3	4255587	1	SEAL, oil	
4	4339901	1	FLANGE, mounting (to front cover)	
	916271	2	CAPSCREW, 3/8" NC x 1"	
	904206	2	LOCKWASHER, 3/8"	
5	923820	1	O-RING, flange	
6	4357289	1	BEARING, shaft	
7	4339658	1	GEAR, drive	
8	4336258	1	PULLEY, auxiliary drive (2 groove) (Not Illustrated)	
	916225	4	CAPSCREW, 3/8" NF x 1"	
	904026	4	LOCKWASHER, 3/8"	



T-34755

BELT GUARD
10000 & 11000

Diesel Electric Set

USAGE: 4430606, 4430608, 4430619, 4430620, 4430621, 4430622, 4430624, 4430626,
4430627, & 4431309 Diesel Electric Sets

ITEM.	PART NUMBER	QTY.	DESCRIPTION	PACKAGE NO.
1.	4430639	1	GUARD ASSY., belt	
2	4430643	1	BRACKET, lower left	
	915406	1	CAPSCREW, 1/4" NC x 3/4"	
	904204	1	LOCKWASHER, 1/4"	
	900816	1	WASHER, plain, 1/4"	
	910880	1	NUT, 1/4" NC	
3	4430642	1	BRACKET, upper left	
	915406	1	CAPSCREW, 1/4" NC x 3/4"	
	904204	1	LOCKWASHER, 1/4"	
	900816	1	WASHER, plain, 1/4"	
	920462	1	NUT, speed, 1/4" NC	
	916309	1	CAPSCREW, 1/2" NC x 3/4"	
	904208	1	LOCKWASHER, 1/2"	
	910244	1	WASHER, plain, 1/2"	
4	4430644	1	BRACKET, upper right	
	915406	1	CAPSCREW, 1/4" NC x 3/4"	
	904204	1	LOCKWASHER, 1/4"	
	900816	1	WASHER, plain, 1/4"	
	920462	1	NUT, speed, 1/4" NC	
	916309	1	CAPSCREW, 1/2" NC x 3/4"	
	904208	1	LOCKWASHER, 1/2"	

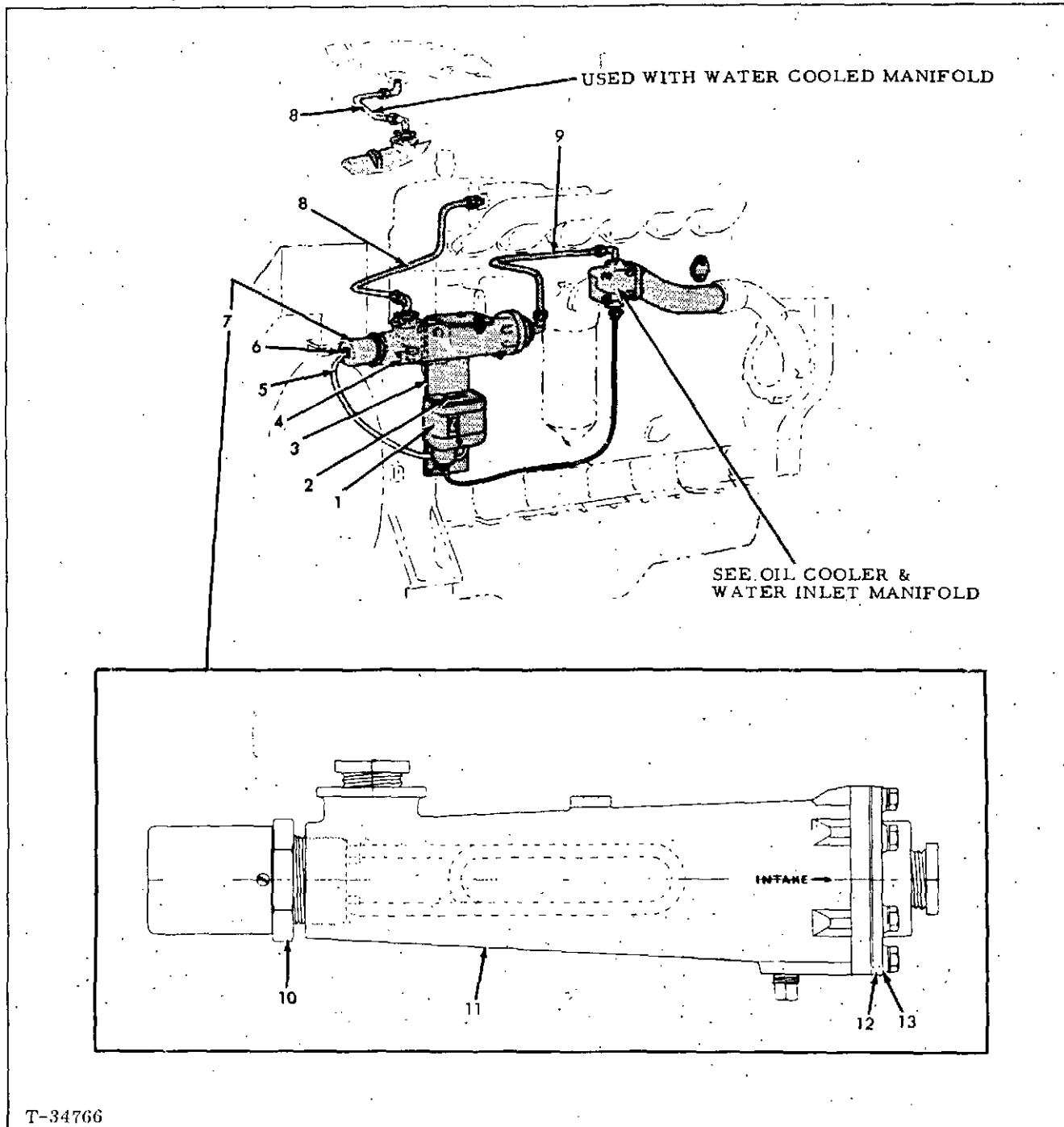
BELT GUARD (CONTINUED)

10000 & 11000

Diesel Electric Set

USAGE: 4430606, 4430608, 4430619, 4430620, 4430621, 4430622, 4430624, 4430626,
4430627, & 4431309 Diesel Electric Sets

ITEM	PART NUMBER	QTY.	DESCRIPTION	ASSEMBLY OR PACKAGE NO.
5	4430645	1	BRACKET, lower right	
	915406	1	CAPSCREW, 1/4" NC x 3/4"	
	904204	1	LOCKWASHER, 1/4"	
	900816	1	WASHER, plain, 1/4"	
	920462	1	NUT, speed, 1/4" NC	
	919224	1	CAPSCREW, 3/8" NC x 1-1/8"	
	911115	1	WASHER, plain, 3/8"	
6	915644	1	TRANSFER, trademark (Not Illustrated)	



T-34766

IMMERSION HEATER
10000 & 11000
Diesel Electric Set

- * Used w/Dry Exhaust Manifold (4430740) (4430756)
- ** Used w/Water Cooled Exhaust Manifold (4430741) (4430757)

ITEM	PART NUMBER	QTY.		DESCRIPTION	PACKAGE NO.
		*	**		
1	4442496	1	1	THERMOSTAT, immersion heater	
	900556	2	2	SCREW, rd. hd., No. 10 NF x 3/8"	
	903775	1	1	CAPSCREW, 3/8" NC x 7/8"	
	904206	1	1	LOCKWASHER, 3/8"	

IMMERSION HEATER (CONTINUED)

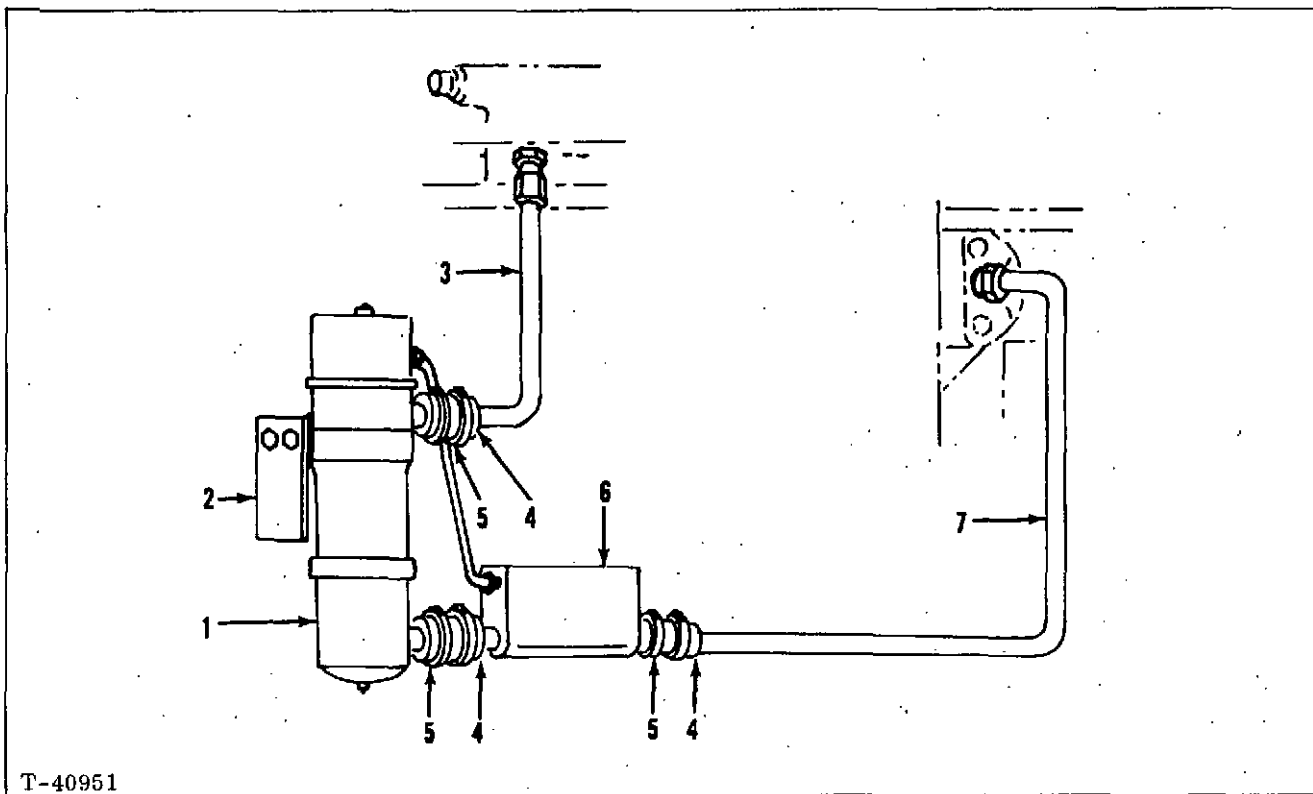
10000 & 11000

Diesel Electric Set

* Used w/Dry Exhaust Manifold (4430740) (4430756)

** Used w/Water Cooled Exhaust Manifold (4430741) (4430757)

ITEM	PART NUMBER	QTY.		DESCRIPTION	PACKAGE NO.
		*	**		
2	4461054	1	1	PLATE, name, immersion heater	
3	4430743	1	1	BRACKET, immersion heater	
	916269	1	1	CAPSCREW, 3/8" NC x 7/8"	
	904206	1	1	LOCKWASHER, 3/8"	
	910324	1	1	NUT, 3/8" NC	
4	4430744	1	1	BRACE, immersion heater bracket	
	916253	1	1	CAPSCREW, 7/16" NC x 3/4"	
	904207	1	1	LOCKWASHER, 7/16"	
5	4430710	1	1	WIRE ASSY., No. 20	
	4430711	1	1	WIRE ASSY., No. 21	
	4445472	1	1	TUBING, plastic	
6	4441258	1	1	GROMMET	
7	4430742	1	1	HEATER ASSY., immersion (Incl. Items 10 thru 13)	
	915406	2	2	CAPSCREW, 1/4" NC x 3/4"	
	904204	2	2	LOCKWASHER, 1/4"	
	910880	2	2	NUT, 1/4" NC	
	901842	2	2	BUSHING, reducer, 1" x 1/2"	
8	4430745	1	-	TUBE ASSY., immersion heater to manifold (Incl. NUTS & SLEEVES)	
	4430749	-	1	TUBE ASSY., immersion heater to manifold (Incl. NUTS & SLEEVES)	
	917811	2	2	NUT, 1/2" O.D. tube	
	917808	2	2	SLEEVE, tube, 1/2" O.D. tube	
	921021	1	2	ELBOW, 1/2" P. T. x 1/2" O.D.	
921339	1	-	CONNECTOR, 1/2" P. T. x 1/2" O.D.		
9	4430931	-	1	TUBE ASSY., water inlet manifold to immersion heater (Incl. NUTS & SLEEVES)	
	4430747	1	-	TUBE ASSY., water inlet manifold to immersion heater (Incl. NUTS & SLEEVES)	
	901843	-	1	BUSHING, reducer, 1-1/4" x 1/2"	
	921021	2	2	ELBOW, 1/2" P. T. x 1/2" O.D.	
	917811	2	2	NUT, 1/2" O.D. tube	
917808	2	2	SLEEVE, 1/2" O.D. tube		
10	4053605	1	1	ELEMENT, immersion heater	
11	4053606	1	1	TANK, immersion heater	
	901652	1	1	PLUG, pipe, sq. hd., 1/4" NPT	
12	4053607	1	1	GASKET, head, immersion heater	
13	4053608	1	1	HEAD ASSY., (Incl. VALVE)	
	915406	6	6	CAPSCREW, 1/4" NC x 3/4"	
	904204	6	6	LOCKWASHER, 1/4"	



T-40951

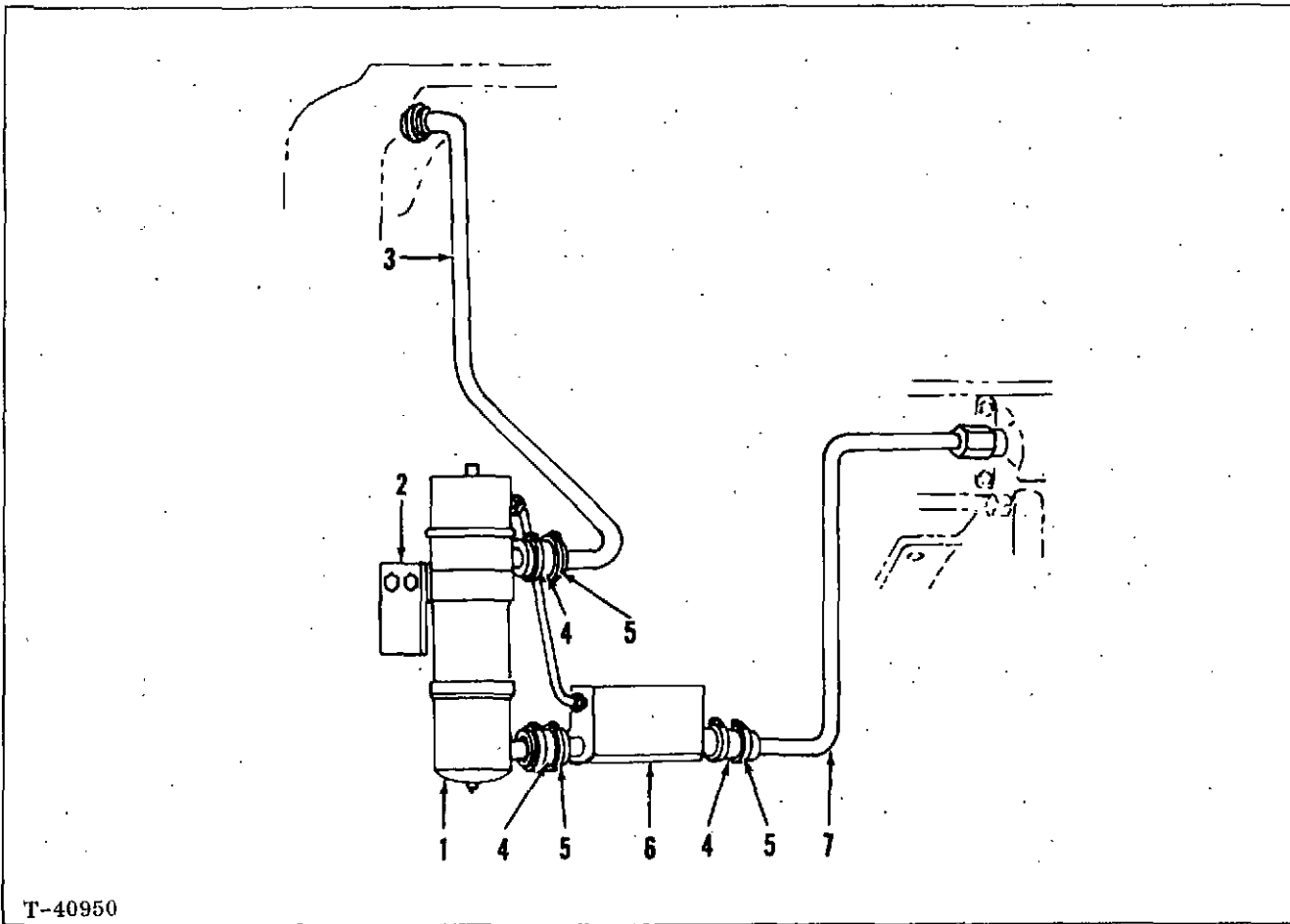
IMMERSION HEATER
10000 & 11000
Diesel Electric Set
(4430836) (4430838)

ITEM	PART NUMBER	QTY.	DESCRIPTION	PACKAGE NO.
1	4430862	1	HEATER ASSY., immersion, 1000 watt (Incl. TERMINALS) (See Page 172 for Components)	
	919351	2	CAPSCREW, 1/4" NC x 7/8"	
	917377	2	WASHER, plain, 1/4"	
	916964	2	LOCKWASHER, 1/4"	
	916622	2	NUT, 1/4" NC	
2	4430833	1	BRACKET, immersion heater	
	919357	2	CAPSCREW, 3/8" NC x 7/8"	
	916965	2	LOCKWASHER, 3/8"	
3	4430230	1	TUBE, immersion heater to water outlet manifold (Incl. NUT & SLEEVE) (4430836)	
	924013	1	CONNECTOR, 1/2" P.T. x 5/8" O.D. tube	
	919539	1	NUT, 5/8" O.D. tube	
	919537	1	SLEEVE, 5/8" O.D. tube	
3	4430231	1	TUBE, immersion heater to water cooled exhaust manifold (Incl. NUT & SLEEVE) (4430838)	
	924071	1	ELBOW, 1/2" P.T. x 5/8" O.D. tube	
	919539	1	NUT, 5/8" O.D. tube	
	919537	1	SLEEVE, 5/8" O.D. tube	
4	4371890	3	HOSE	
5	4254968	6	CLAMP, hose	

IMMERSION HEATER (CONTINUED)

10000 & 11000
 Diesel Electric Set
 (4430836) (4430838)

ITEM	PART NUMBER	QTY.	DESCRIPTION	PACKAGE NO.
6	4430831	1	THERMOSTAT, immersion heater	
7	4430229	1	TUBE, water inlet manifold to immersion heater (Incl. NUT & SLEEVE)	
	924071	1	ELBOW, 1/2" P.T. x 5/8" O.D. tube	
	919539	1	NUT, 5/8" O.D. tube	
	919537	1	SLEEVE, 5/8" O.D. tube	



T-40950

IMMERSION HEATER
 10000 & 11000
 Diesel Electric Set
 (4430837) (4430839)

ITEM	PART NUMBER	QTY.	DESCRIPTION	PACKAGE NO.
1	4430862	1	HEATER ASSY., immersion, 1000 watt (Incl. TERMINALS) (See Page 172 for Components)	
	919351	2	CAPSCREW, 1/4" NC x 7/8"	
	917377	2	WASHER, plain, 1/4"	
	916964	2	LOCKWASHER, 1/4"	
	916622	2	NUT, 1/4" NC	
2	4430833	1	BRACKET, immersion heater	
	919357	2	CAPSCREW, 3/8" NC x 7/8"	
	916965	2	LOCKWASHER, 3/8"	
3	4430230	1	TUBE, immersion heater to water outlet manifold (Incl. NUT & SLEEVE) (4430837)	
	4430231	1	TUBE, immersion heater to water outlet manifold (Incl. NUT & SLEEVE) (4430839)	
	924013	1	CONNECTOR, 5/8" O.D. x 1/2" P.T. (4430837)	
	924071	1	ELBOW, 5/8" O.D. x 1/2" P.T. (4430839)	
	919539	1	NUT, 5/8" O.D. tube	
	919537	1	SLEEVE, 5/8" O.D. tube	

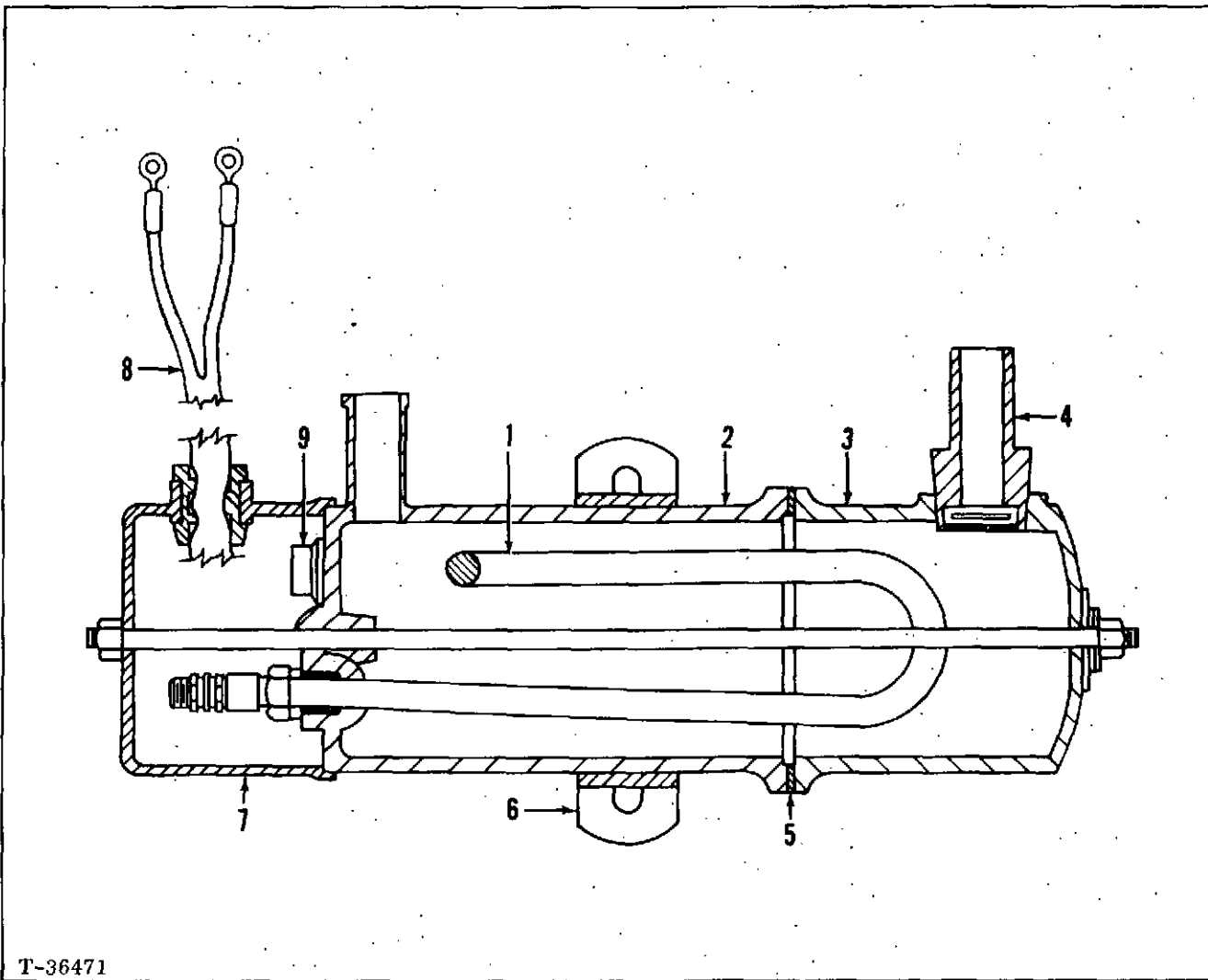
IMMERSION HEATER (CONTINUED)

10000 & 11000

Diesel Electric Set

(4430837) (4430839)

ITEM	PART NUMBER	QTY.	DESCRIPTION	PACKAGE NO.
4	4371890	3	HOSE	
5	4254968	6	CLAMP, hose	
6	4430831	1	THERMOSTAT, immersion heater	
7	4430229	1	TUBE, water inlet manifold to immersion heater (Incl. NUT & SLEEVE)	
	924071	1	ELBOW, 5/8" O.D. x 1/2" P.T.	
	919539	1	NUT, 5/8" O.D. tube	
	919537	1	SLEEVE, 5/8" O.D. tube	

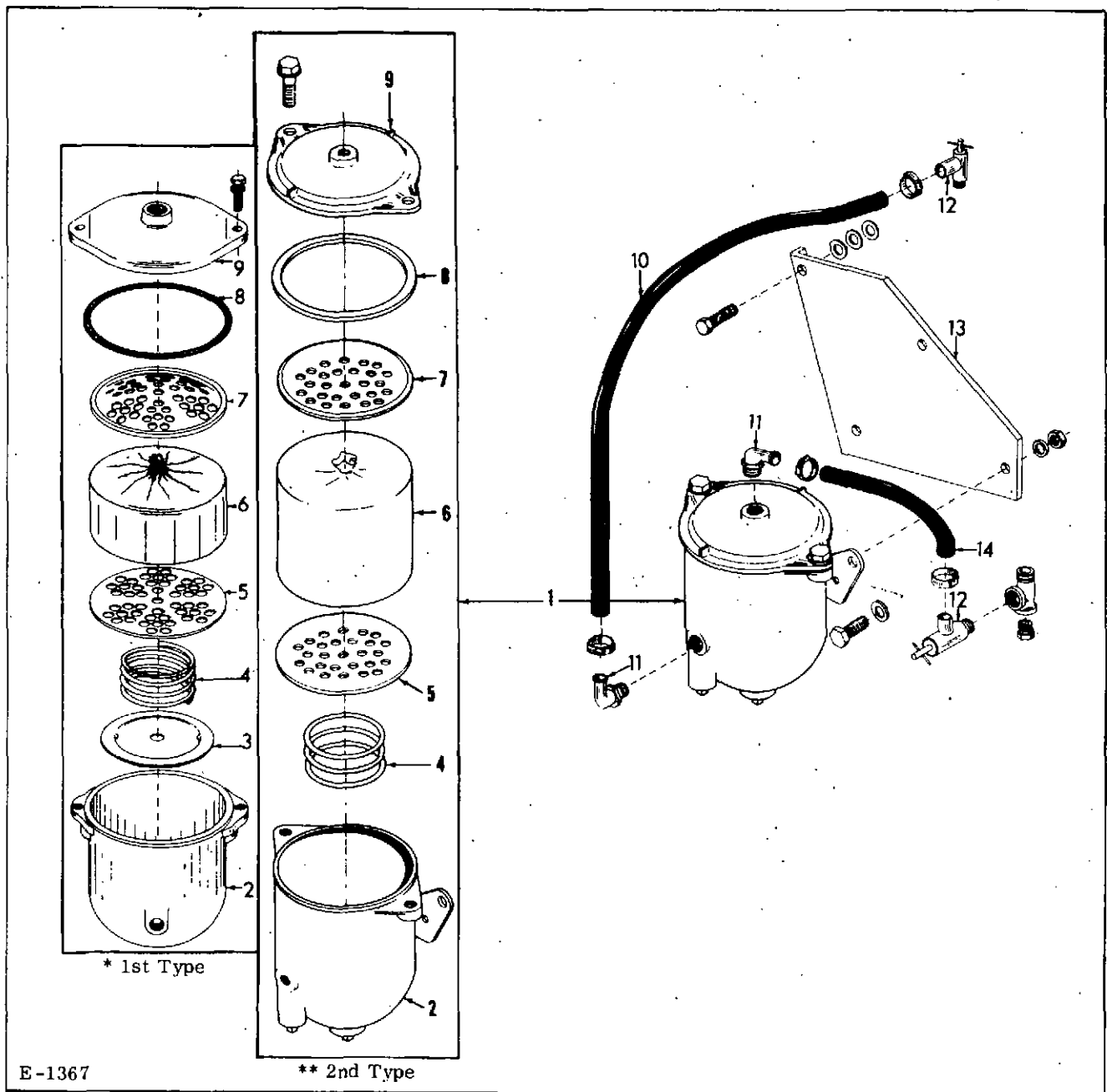


T-36471

IMMERSION HEATER ASSEMBLY - 4430862
 10000 & 11000
 Diesel Electric Set

USAGE: See Pages 168 thru 170.

ITEM	PART NUMBER	QTY.	DESCRIPTION	PACKAGE NO.
1	4055154	1	ELEMENT KIT, heater (Incl. GASKETS & SEALS)	
2	4055155	1	HOUSING, top	
3	4055156	1	HOUSING, bottom	
4	4055157	1	VALVE ASSY., heater	
5	4055161	1	GASKET KIT, center	
6	4055158	1	BRACKET, mounting	
7	4055160	1	COVER, terminal	
8	4055159	1	WIRE, heater to terminal block (Incl. TERMINALS)	
9	4055162	1	THERMOSTAT, safety	



WATER FILTER
 10000 & 11000
 Power Unit & Diesel Electric Set
 (4354462)

ITEM	PART NUMBER	QTY.		DESCRIPTION	PACKAGE NO.
		*	**		
1	4339979	1	-	FILTER ASSY., water (Incl. Items 2 thru 9) (Prior to Serial No. 10-14388 & 11-14731)	
	4387474	-	1	FILTER ASSY., water (Incl. Items 2 & 4 thru 9) (Effective w/Serial No. 10-14388 & 11-14731)	
	915813	2	2	CAPSCREW, 5/16" NC x 7/8"	
	904205	2	2	LOCKWASHER, 5/16"	
	910323	2	2	NUT, 5/16" NC	

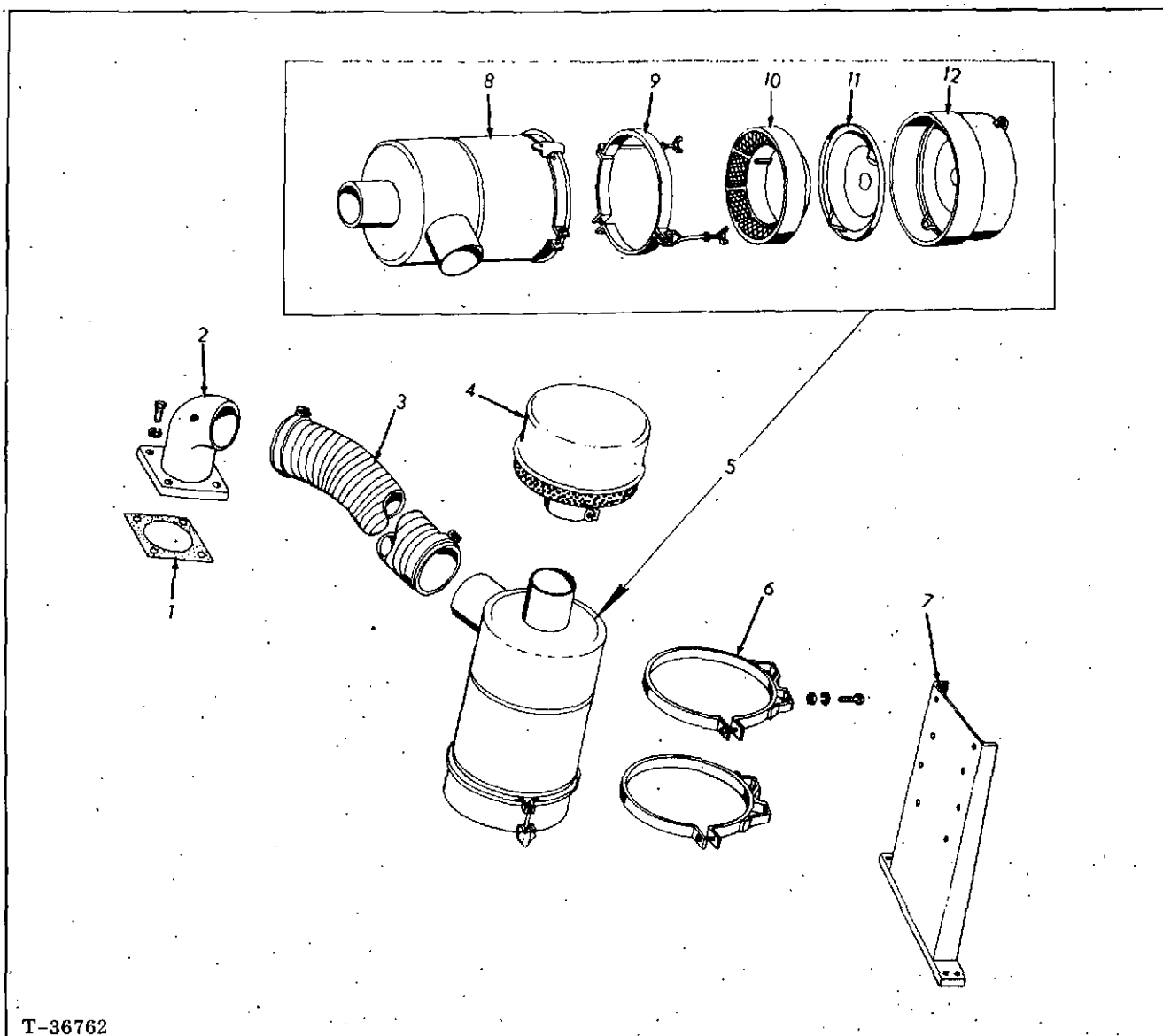
Continued

WATER FILTER (CONTINUED)
10000 & 11000
Power Unit & Diesel Electric Set
(4354462)

ITEM	PART NUMBER	QTY. * **	DESCRIPTION	PACKAGE NO.
2	4056524	1	BODY, filter	
	917425	1	PLUG, pipe, 1/4" NPTF	
	4055031	1	BODY, filter	
	920131	2	PLUG, pipe, 3/8" NPTF	
3	4056521	1	PLATE, sump	
4	4056520	1	SPRING, filter element	
	4054569	1	SPRING, filter element	
5	4056519	1	PLATE, filter element corrosion resistor	
	4054568	1	PLATE, filter element corrosion resistor	
6	4058820	1	ELEMENT KIT, filter (PAF)	(See NOTE)
	4058821	1	ELEMENT KIT, filter (chromate)	
	4059380	1	ELEMENT KIT, filter (chromate)	
	4059381	1	ELEMENT KIT, filter (PAF)	
<p>NOTE: Chromate Element - For use with plain water, all nonpermanent anti-freezes and certain types of permanent anti-freezes.</p> <p>NOTE: PAF Element - For use with all permanent type anti-freezes only. <u>Not recommended for use with plain water.</u></p>				
7	4056518	1	PLATE, filter element (upper)	
	4055034	1	PLATE, filter element (upper)	
8	4056517	1	GASKET, filter cover	
	4054566	1	GASKET, filter cover	
9	4056525	1	COVER, filter	
	923107	2	CAPSCREW ASSY., (Incl. LOCKWASHER)	
	4055032	1	COVER, filter	
	4055033	2	BOLT ASSY., (Incl. LOCKWASHER)	
10	4339952	1	HOSE, water inlet (Incl. SWIVEL) (11000 Engine) (Prior to Serial No. 11-10931)	
	920807	2	SWIVEL, hose, 1/2" tube x 3/4" NPT	
	919206	1	ELBOW, male, 1/2" tube x 3/4" NPT	
	4025968	1	HOSE, water inlet (10000 Engine) (Effective w/Serial No. 11-10931)	
	921911	2	CLAMP, hose	
11	4255286	2	ELBOW, filter hose (10000 Engine) (Effective w/Serial No. 11-10931)	

WATER FILTER (CONTINUED)
 10000 & 11000
 Power Unit & Diesel Electric Set
 (4354462)

ITEM	PART NUMBER	QTY.		DESCRIPTION	PACKAGE NO.
		*	**		
12	4255171	2	2	VALVE ASSY., water, inlet and outlet (11000 Engine) (Prior to Serial No. 11-10931)	
	605525	2	2	VALVE ASSY., water, inlet and outlet (10000 Engine) (Effective w/Serial No. 11-10931)	
13	4339947	1	1	BRACKET, water filter mounting	
	915990	2	2	CAPSCREW, 3/8" NC x 2-3/4"	
	904206	2	2	LOCKWASHER, 3/8" NC	
	922465	6	6	WASHER, plain, 3/8"	
14	4339950	1	1	HOSE, water outlet (Incl. SWIVEL) (11000 Engine) (Prior to Serial No. 11-10931)	
	920807	2	2	SWIVEL, hose, 1/2" tube x 3/4" NPT	
	919206	1	1	ELBOW, male, 1/2" tube x 3/4" NPT	
	913257	1	1	TEE, pipe, 3/8" NPT	
	901653	1	1	PLUG, pipe, square head, 3/8" NPT	
	4338594	1	1	HOSE, water outlet (10000 Engine) (Effective w/Serial No. 11-10931)	
	921911	2	2	CLAMP, hose	
	913257	1	1	TEE, pipe, 3/8" NPT	
901653	1	1	PLUG, pipe, square head, 3/8" NPT		



T-36762

AIR CLEANER (OIL BATH TYPE)
10000

Power Unit

* Normal Duty - 1800 R. P. M. & Under (4336899)

** Heavy Duty - Over 1800 R. P. M. (4336901)

ITEM	PART NUMBER	QTY.		DESCRIPTION	PACKAGE NO.
		*	**		
1	4349193	1	1	GASKET, air inlet elbow	
2	4336798	1	1	ELBOW, air inlet (at Intake Manifold)	
	916311	4	4	CAPSCREW, 1/2" NC x 1-1/4"	
	904208	4	4	LOCKWASHER, 1/2"	
	919840	1	1	PLUG, pipe, 1/4"	
3	4337156	1	1	HOSE, air cleaner	
	4255009	2	2	CLAMP	
4	4651235	1	-	CAP, air inlet	
	4379678	-	1	CAP, air inlet	

AIR CLEANER (OIL BATH TYPE) (CONTINUED)

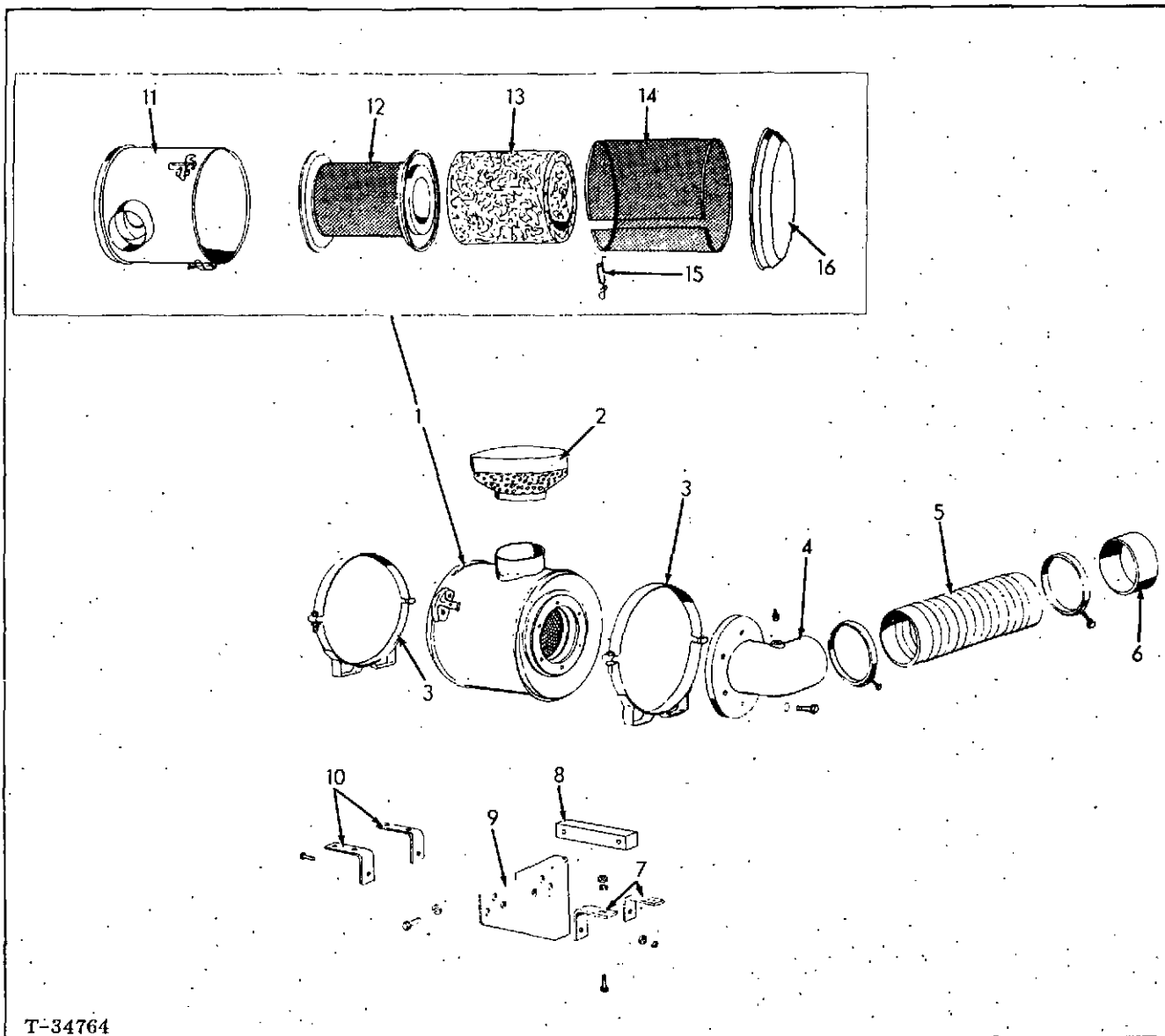
10000

Power Unit

* Normal Duty - 1800 R. P. M. & Under (4336899)

** Heavy Duty - Over 1800 R. P. M. (4336901)

ITEM	PART NUMBER	QTY. * **	DESCRIPTION	PACKAGE NO.
5	4651234	1 -	CLEANER ASSY., air (Incl. Items 8 thru 12)	
	4336787	- 1	CLEANER ASSY., air (Incl. Items 8 thru 12)	
6	4336791	2 -	STRAP, air cleaner	
	4336792	- 2	STRAP, air cleaner	
	916269	4 4	CAPSCREW, 3/8" NC x 7/8"	
	904206	4 4	LOCKWASHER, 3/8"	
	910324	4 4	NUT, 3/8"	
7	4336814	1 1	BRACKET, air cleaner	
	916253	4 4	CAPSCREW, 7/16" NC x 3/4"	
	904207	4 4	LOCKWASHER, 7/16"	
8	4053575	1 -	BODY ASSY., air cleaner	
	4053580	- 1	BODY ASSY., air cleaner (Incl. Items 9 & 10)	
9	4053577	1 -	BAND ASSY., air cleaner	
	4053582	- 1	BAND ASSY., air cleaner	
10	4053576	1 -	PRE-FILTER, air cleaner	
	4053581	- 1	PRE-FILTER, air cleaner	
11	4053579	1 -	DISC, air cleaner	
	4053584	- 1	DISC, air cleaner	
12	4053578	1 -	CUP ASSY., air cleaner (Incl. Item 11)	
	4053583	- 1	CUP ASSY., air cleaner (Incl. Item 11)	



T-34764

AIR FILTER (DRY TYPE)
11000

Power Unit & Diesel Electric Set

* Normal Duty (4336900) (Std. on Diesel Electric Set 4430606 & 4431020)
** Heavy Duty (4336902) (4430680)

ITEM	PART NUMBER	QTY.		DESCRIPTION	PACKAGE NO.
		*	**		
1	4377986	1	-	FILTER ASSY., air (Incl. Items 11 thru 16)	
	4378013	-	1	FILTER ASSY., air (Incl. Items 11 thru 16)	
2	4379678	1	-	CAP, air filter	
	4378015	-	1	CAP, air filter	
3	4377988	2	-	STRAP, air filter	
	4378014	-	2	STRAP, air filter	
	915408	4	4	CAPSCREW, (to Bracket) 3/8" NC x 3/4" (4336900) (4336902)	

AIR FILTER (DRY TYPE) (CONTINUED)

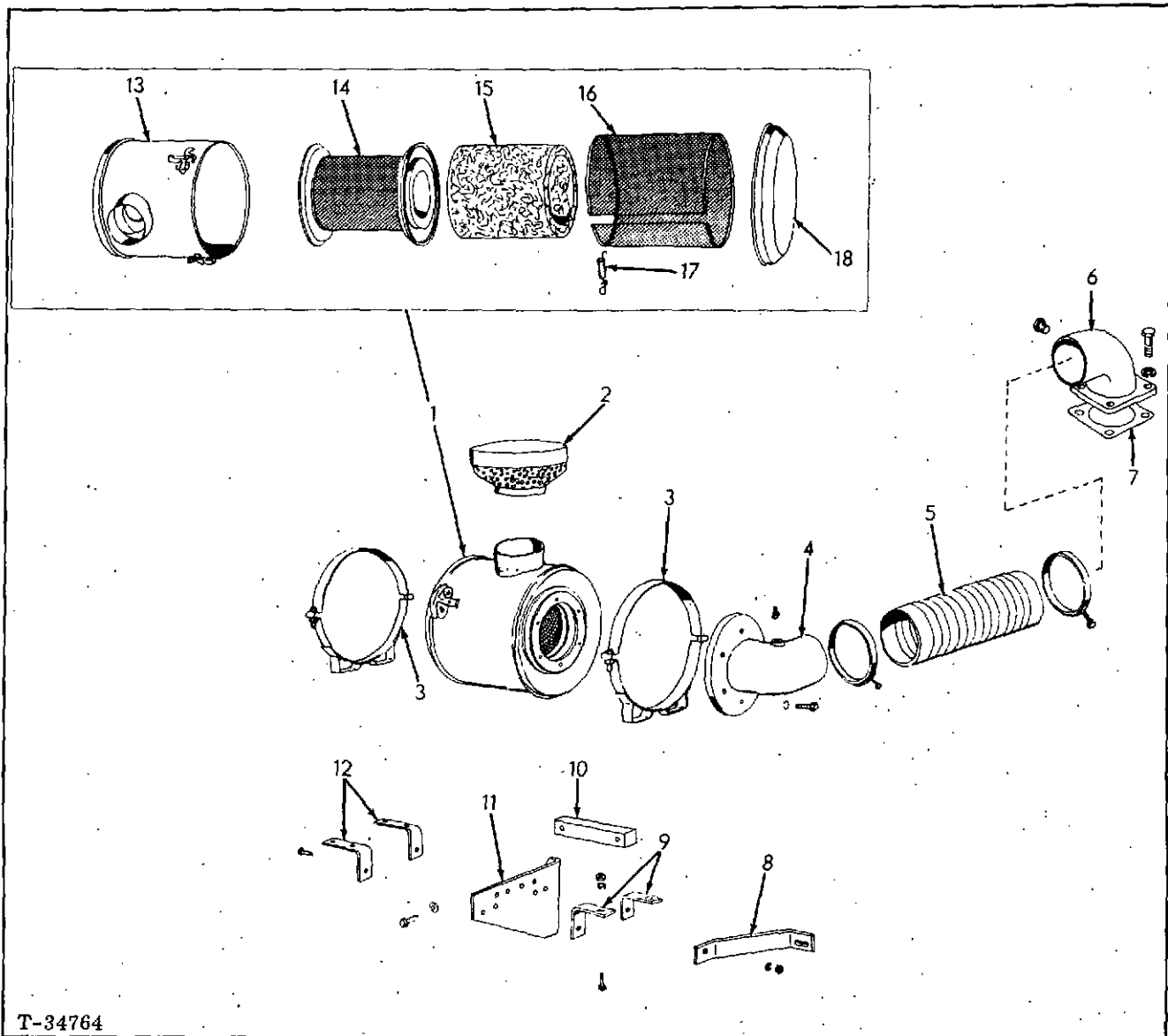
11000

Power Unit & Diesel Electric Set

* Normal Duty (4336900) (Std. on Diesel Electric Set 4430606 & 4431020)

** Heavy Duty (4336902) (4430680)

ITEM	PART NUMBER	QTY.		DESCRIPTION	PACKAGE NO.
		*	**		
3	916271	4	4	CAPSCREW, 3/8" NC x 1" (to Bracket) (Std.) (4430680)	
	904206	4	4	LOCKWASHER, 3/8"	
	910324	4	4	NUT, 3/8" NC	
4	4336797	1	-	ELBOW, air filter	
	4336796	-	1	ELBOW, air filter	
	915813	6	6	CAPSCREW, 5/16" NC x 7/8"	
	904205	6	6	LOCKWASHER, 5/16"	
5	919134	1	1	PLUG, pipe, 1/8"	
	4337157	-	1	HOSE, (4430680) (Std.)	
	4337426	1	1	HOSE, (4336900) (4336902)	
6	919790	2	2	CLAMP, hose	
	4379391	1	1	HOSE, (on Turbo.)	
7	4430672	2	2	SUPPORT, air filter (R. H.)	
	916272	2	2	CAPSCREW, (to Bracket) 3/8" NC x 1-1/4"	
	904206	2	2	LOCKWASHER, 3/8"	
	910324	2	2	NUT, 3/8" NC	
8	4337371	2	2	SPACER, bracket, air filter (4336900) (4336902)	
	4430671	-	1	BRACKET, air filter mounting (Prior to Serial No. 117230)	
	4338176	1	1	BRACKET, air filter mounting (Effective w/Serial No. 117230)	
	916866	4	4	CAPSCREW, (to Cylinder Head) 7/16" NC x 2-3/4" (4336900) (4336902)	
9	916255	4	4	CAPSCREW, 7/16" NC x 1-3/4" (to cyl. hd.) (Std.) (4430680)	
	4430673	2	2	SUPPORT, air filter (L. H.)	
	916272	2	2	CAPSCREW, 3/8" NC x 1-1/4" (to Bracket)	
	904206	2	2	LOCKWASHER, 3/8"	
10	910324	2	2	NUT, 3/8" NC	
	-----	1	1	BASE ASSY., filter (Not Serviced Separately) (Order Item 1)	
11	4052676	1	-	CARTRIDGE ASSY., (Incl. Item 13)	
	4052677	-	1	CARTRIDGE ASSY., (Incl. Item 13)	
12	4051924	1	-	BATT	
	4051925	-	1	BATT	
13	4052116	1	-	SCREEN ASSY., (Incl. Item 15)	
	4052109	-	1	SCREEN ASSY., (Incl. Item 15)	
14	4052110	3	3	SPRING, screen retaining	
15	4052112	1	-	COVER	
	4051963	-	1	COVER	



T-34764

AIR FILTER (DRY TYPE)
10000

Power Unit

* Dry - Heavy Duty (4338255)

** Dry - Normal Duty (4338256)

ITEM	PART NUMBER	QTY.		DESCRIPTION	PACKAGE NO.
		*	**		
1	4377986	1	-	FILTER ASSY., air (Incl. Items 13 thru 18)	
	4337369	-	1	FILTER ASSY., air (Incl. Items 13 thru 18)	
2	4379678	1	1	CAP, air filter	
3	4377988	2	-	STRAP, air filter	
	4337370	-	2	STRAP, air filter	
	916271	4	4	CAPSCREW, 3/8" NC x 1"	
	904206	4	4	LOCKWASHER, 3/8"	
	910324	4	4	NUT, 3/8" NC	

AIR FILTER (DRY TYPE) (CONTINUED)

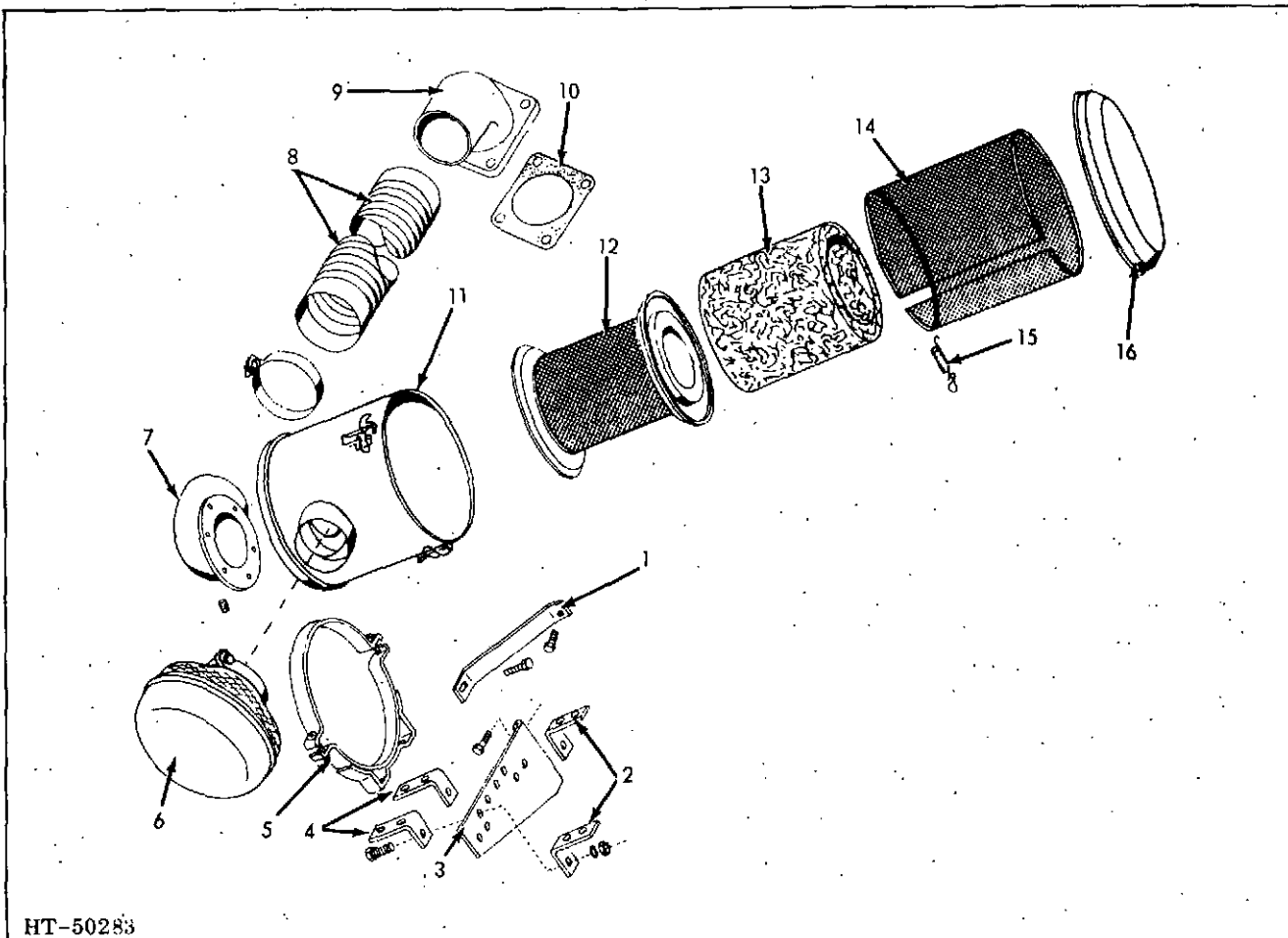
10000

Power Unit

* Dry - Heavy Duty (4338255)

** Dry - Normal Duty (4338256)

ITEM	PART NUMBER	QTY.		DESCRIPTION	PACKAGE NO.
		*	**		
4	4337294	1	-	ELBOW, air filter	
	4337293	-	1	ELBOW, air filter	
	915813	6	6	CAPSCREW, 5/16" NC x 7/8"	
	904205	6	6	LOCKWASHER, 5/16"	
	919134	1	1	PLUG, pipe, 1/8"	
5	4430658	1	1	HOSE	
	919790	2	2	CLAMP, strap type, 16" lg.	
6	4337295	1	1	ELBOW, air intake manifold	
	916311	4	4	CAPSCREW, 1/2" NC x 1-1/4"	
	904208	4	4	LOCKWASHER, 1/2"	
	919840	1	1	PLUG, pipe, 1/4"	
7	4349193	1	1	GASKET, elbow	
8	4430677	1	1	BRACE, air filter bracket	
	916271	-	1	CAPSCREW, 3/8" NC x 1"	
	904206	-	1	LOCKWASHER, 3/8"	
	910324	-	1	NUT, 3/8" NC	
9	4430675	2	2	SUPPORT, air filter	
10	4337371	2	2	SPACER, air filter bracket	
11	4430674	1	1	BRACKET, mounting, air filter	
	916866	4	4	CAPSCREW, 7/16" NC x 2-3/4"	
	912298	1	1	WASHER, plain, 7/16"	
12	4430676	2	2	SUPPORT, air filter	
	916272	1	2	CAPSCREW, 3/8" NC x 1-1/4"	
	914847	1	-	CAPSCREW, 3/8" NC x 1-1/2"	
	904206	2	2	LOCKWASHER, 3/8"	
	910324	2	2	NUT, 3/8" NC	
13	-----	1	1	BASE ASSY., filter (Not Serviced Separately) (Order Item 1)	
14	4052676	1	-	CARTRIDGE ASSY., (Incl. Item 15)	
	4053618	-	1	CARTRIDGE ASSY., (Incl. Item 15)	
15	4051924	1	-	BATT, primary	
	4053603	-	1	BATT, primary	
16	4052116	1	-	SCREEN ASSY., (Incl. Item 17)	
	4053619	-	1	SCREEN ASSY., (Incl. Item 17)	
17	4052110	3	3	SPRING, screen retaining	
18	4052112	1	-	COVER, air filter	
	4053586	-	1	COVER, air filter	



HT-50283

AIR FILTER
10000

Diesel Electric Set

* Normal Duty (Standard on Diesel Electric Set 4430608)
** Heavy Duty (4430668)

ITEM	PART NUMBER	QTY.		DESCRIPTION	PACKAGE NO.
		*	**		
-	4337369	1	-	FILTER ASSY., air (Incl. Items 11 thru 16)	
	4377986	-	1	FILTER ASSY., air (Incl. Items 11 thru 16)	
1	4430677	1	1	BRACE, air filter bracket	
	916271	1	-	CAPSCREW, 3/8" NC x 1"	} (to Bracket)
	904206	1	-	LOCKWASHER, 3/8"	
	910324	1	-	NUT, 3/8" NC	
2	4430675	2	2	SUPPORT, air filter	
3	4430674	1	1	BRACKET, air filter	
	916255	3	3	CAPSCREW, 7/16" NC x 1-3/4"	
4	4430676	2	2	SUPPORT, air filter	
	916272	2	2	CAPSCREW, 3/8" NC x 1-1/4"	
	914847	-	1	CAPSCREW, 3/8" NC x 1-1/2"	
	904206	2	2	LOCKWASHER, 3/8"	
	910324	2	2	NUT, 3/8" NC	

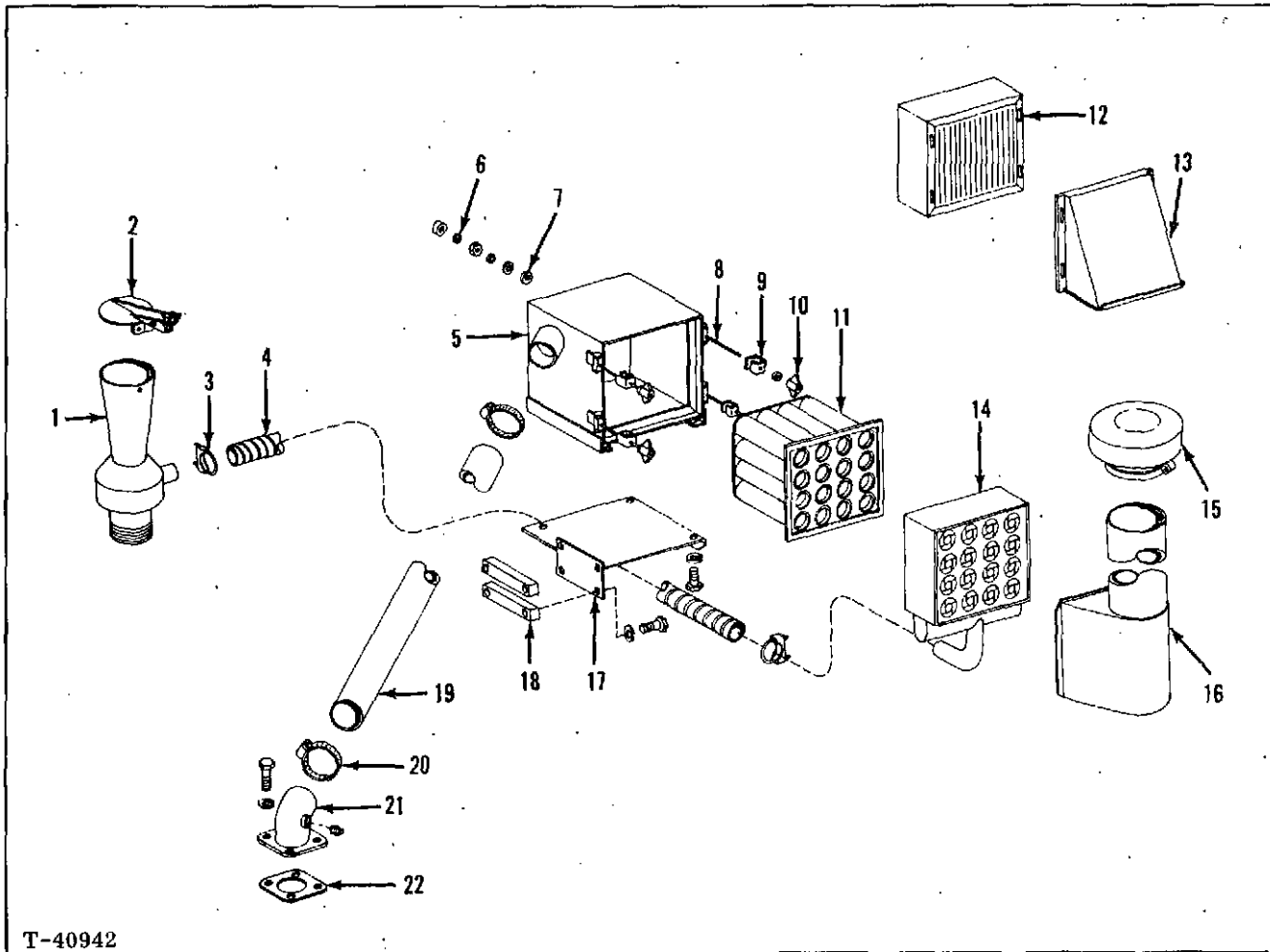
AIR FILTER (CONTINUED)

1000

Diesel Electric Set

* Normal Duty (Standard on Diesel Electric Set 4430608)
 ** Heavy Duty (4430668)

ITEM	PART NUMBER	QTY.		DESCRIPTION	PACKAGE NO.
		*	**		
5	4337370	2	-	STRAP, air filter	
	4377988	-	2	STRAP, air filter	
	916271	4	4	CAPSCREW, 3/8" NC x 1"	
	904206	4	4	LOCKWASHER, 3/8"	
	910324	4	4	NUT, 3/8" NC	
6	4379678	1	1	CAP, air filter inlet	
7	4337293	1	-	ELBOW, air outlet	
	4337294	-	1	ELBOW, air outlet	
	919134	1	1	PLUG, pipe, 1/8"	
	915813	6	6	CAPSCREW, 5/16" NC x 7/8"	
	904205	6	6	LOCKWASHER, 5/16"	
8	4430658	1	1	HOSE, air filter	
	919790	2	2	CLAMP, strap type, 16" lg.	
9	4337295	1	1	ELBOW, air intake manifold	
	919840	1	1	PLUG, pipe, 1/4"	
	916311	4	4	CAPSCREW, 1/2" NC x 1-1/4"	
	904208	4	4	LOCKWASHER, 1/2"	
10	4349193	1	1	GASKET, air intake elbow	
11	-----	1	1	BASE ASSY., air filter (Not Serviced Separately) (Order FILTER ASSY.)	
12	4053618	1	-	CARTRIDGE ASSY., air filter (Incl. Item 13)	
	4052676	-	1	CARTRIDGE ASSY., air filter (Incl. Item 13)	
13	4053603	1	-	BATT, primary	
	4051924	-	1	BATT, primary	
14	4053619	1	-	SCREEN ASSY., outer (Incl. Item 15)	
	4052116	-	1	SCREEN ASSY., outer (Incl. Item 15)	
15	4052110	3	3	SPRING, screen retaining	
16	4053586	1	-	COVER, air filter	
	4052112	-	1	COVER, air filter	



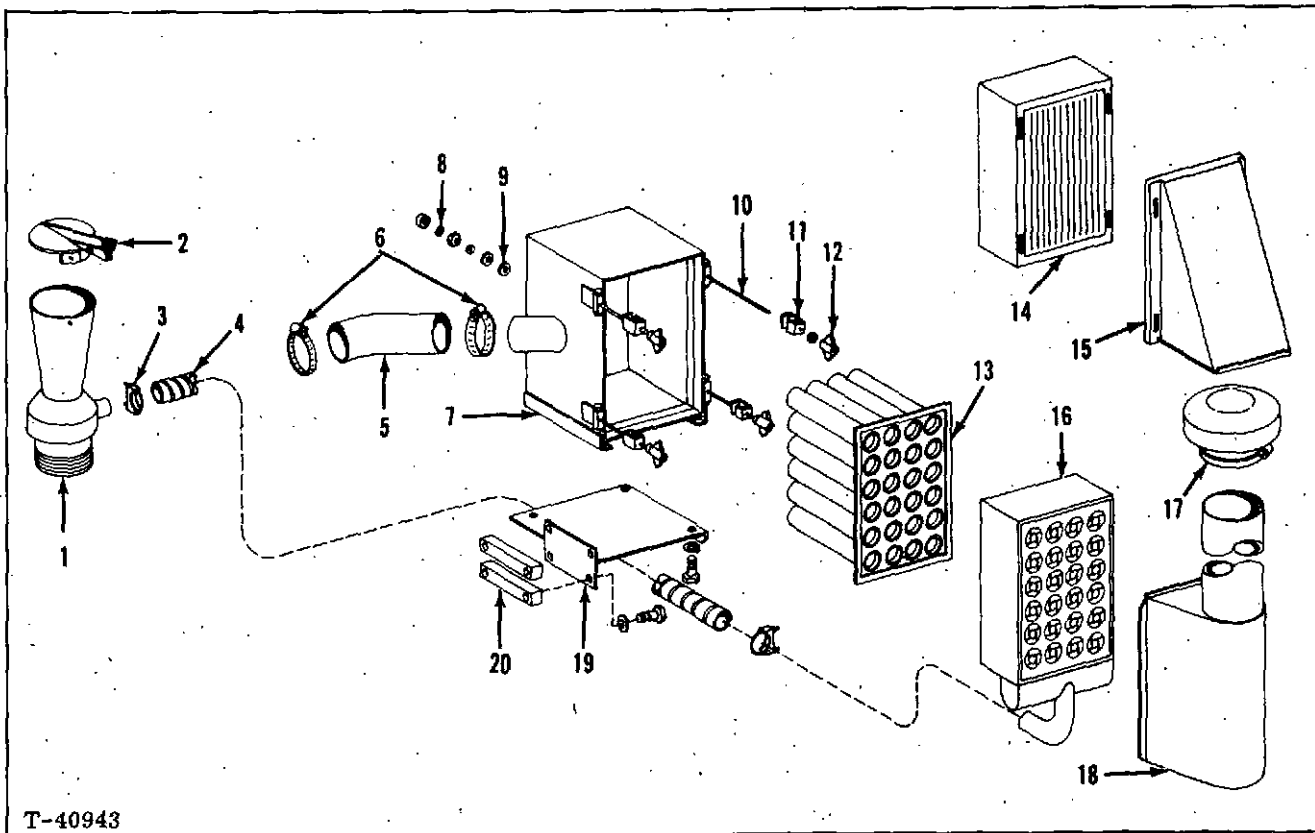
T-40942

AIR CLEANER
 10000
 Power Unit & Diesel Electric Set
 * Heavy Duty
 ** Extra Heavy Duty

ITEM	PART NUMBER	QTY.		DESCRIPTION	PACKAGE NO.
		*	**		
1	4339004	-	1	ASPIRATOR, (4339079) (4339229) (4339551)	
2	4339006	-	1	CAP, rain aspirator (4339079) (4339229) (4339551)	
3	4255370	-	2	CLAMP, (4339079) (4339229) (4339551)	
4	4339011	-	1	HOSE, metal flexible (Pre-Cleaner to Aspirator) (4339079) (4339229) (4339551)	
5	4339001	1	1	HOUSING ASSY., element (Incl. Items 6 thru 10 & indented parts below) (4339551) (4339550) (4339066) (4339079) (4339228) (4339229)	
	920158	1	1	WASHER, plain, 3/8"	
	916965	1	1	LOCKWASHER, 3/8"	
	922718	1	1	CAP, pipe (Not used w/Air Filter Service Indicator)	
	918403	2	2	NUT, jam, 3/8" NF	
6	638713	1	1	ADAPTOR	
7	4055617	1	1	WASHER, fiber	

AIR CLEANER (CONTINUED)
 10000
 Power Unit & Diesel Electric Set
 * Heavy Duty
 ** Extra Heavy Duty

ITEM	PART NUMBER	QTY.		DESCRIPTION	PACKAGE NO.
		*	**		
8	638712	4	4	BOLT, tee	
9	185132	4	4	HOOK	
10	185133	4	4	NUT, wing	
	917356	4	4	LOCKWASHER, 5/16"	
11	4055633	1	1	ELEMENT, (4339066) (4339228) (4339229) (4339551) (4339550) (4339079)	
12	4339078	1	-	PANEL ASSY., moisture eliminator (4339066) (4339228) (4339550)	
13	4339230	1	1	GUARD, rain (Cannot be used w/Vertical Inlet Adaptor) (4339230)	
14	4339002	-	1	PANEL ASSY., pre-cleaner (4339079) (4339229) (4339551)	
15	4339008	1	1	CAP, inlet (4339231)	
16	4339263	1	1	ADAPTOR, vertical air inlet (Cannot be used w/Rain Guard) (4339231)	
17	4339451	1	1	BRACKET, air cleaner mounting (4339551) (4339550)	
	4338995	1	1	BRACKET, air cleaner mounting (4339066) (4339079)	
	915408	4	4	CAPSCREW, 3/8" NC x 3/4"	
	916866	4	4	CAPSCREW, 7/16" NC x 2-3/4"	
	904206	4	4	LOCKWASHER, 3/8"	
	904207	4	4	LOCKWASHER, 7/16"	
18	4337371	2	2	SPACER, mounting (4339066) (4339079) (4339551) (4339550)	
19	4339003	1	1	HOSE, air cleaner to inlet elbow (4339550) (4339551) (4339066) (4339079)	
	4339329	1	1	HOSE, air cleaner to inlet elbow (5' Long) (4339331)	
	4254347	1	1	HOSE, air cleaner to inlet elbow (10' Long) (4339332) (4337872)	
20	4254964	2	2	CLAMP, (4339066) (4339079) (4339331) (4339332) (4339550) (4339551) (4337872)	
21	4336798	1	1	ELBOW, air inlet (4339066) (4339079) (4339228) (4339229) (4339550) (4339551)	
	916311	4	4	CAPSCREW, 1/2" NC x 1-1/4"	
	904208	4	4	LOCKWASHER, 1/2"	
	919840	1	1	PLUG, pipe, 1/4" P. T.	
22	4349193	1	1	GASKET, (4339066) (4339079) (4339228) (4339229) (4339550) (4339551)	



T-40943

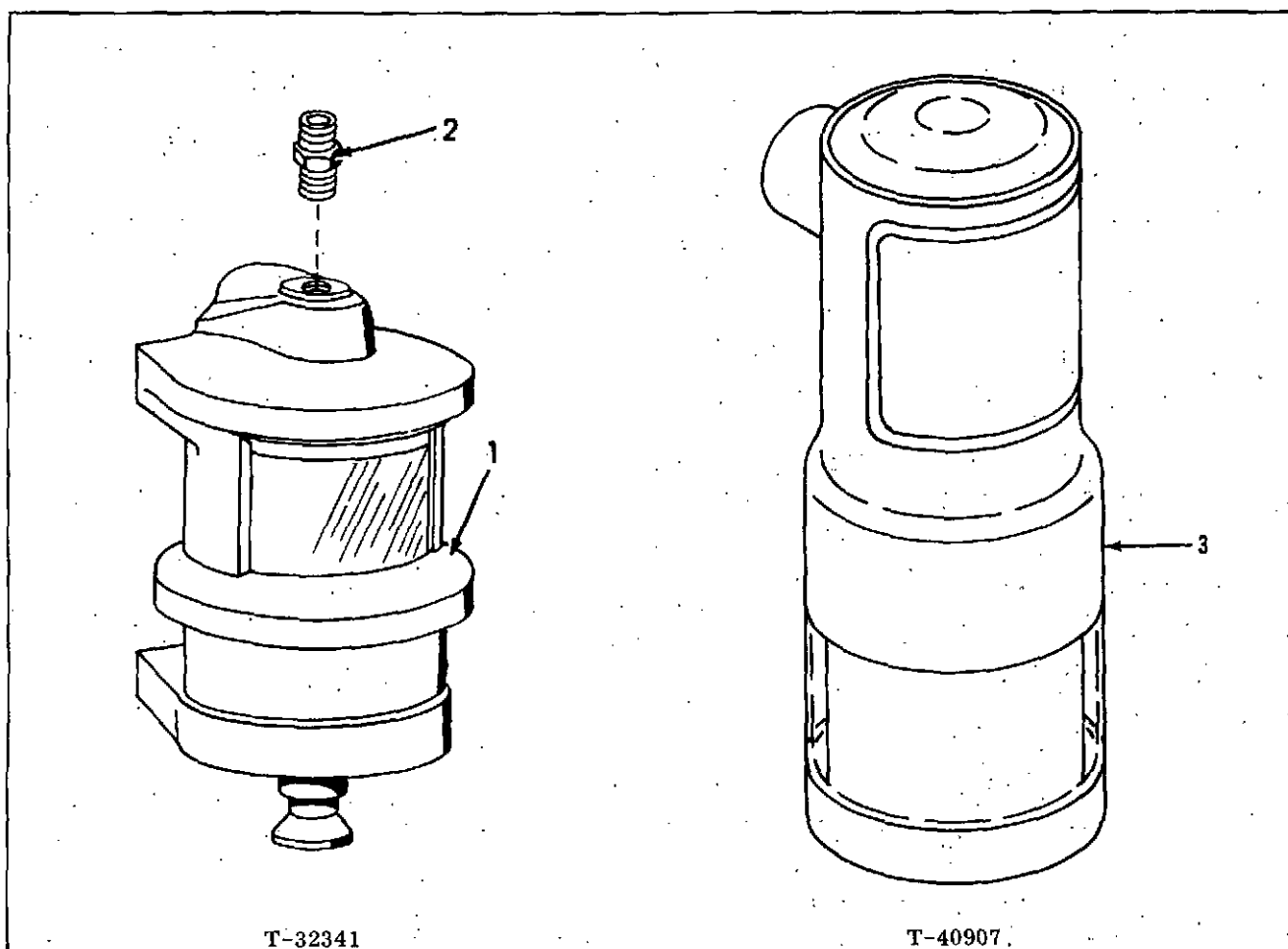
AIR CLEANER
 11000
 Power Unit & Diesel Electric Set
 * Heavy Duty
 ** Extra Heavy Duty

ITEM	PART NUMBER	QTY. * **	DESCRIPTION	PACKAGE NO.
1	4339000	- 1	ASPIRATOR, (4339257) (4339258) (4339553)	
2	4339005	- 1	CAP, rain aspirator (4339257) (4339258) (4339553)	
3	185502	- 2	CLAMP, (4339257) (4339258) (4339553)	
4	4387713	- 1	HOSE, metal flexible (Pre-Cleaner to Aspirator) (4339257) (4339258) (4339553)	
5	4430658	1 1	HOSE, air cleaner to inlet elbow (4339257) (4339260) (4339553) (4339552)	
	4339329	1 1	HOSE, air cleaner to inlet elbow (5' Long) (4339331)	
	4254347	1 1	HOSE, air cleaner to inlet elbow (10' Long) (4339332)	
6	4254964	2 2	CLAMP, (4339257) (4339260) (4339331) (4339332) (4339553) (4339552)	
7	4338993	1 1	HOUSING ASSY., element (Incl. Items 8 thru 12 & indented parts below) (4339257) (4339258) (4339260) (4339261) (4339553) (4339552)	
	920158	1 1	WASHER, plain, 3/8"	
	916965	1 1	LOCKWASHER, 3/8"	
	922718	1 1	CAP, pipe, 1/8" P.T. (Not used w/Air Filter Service Indicator)	
	918403	2 2	NUT, jam, 3/8" NF	

Continued

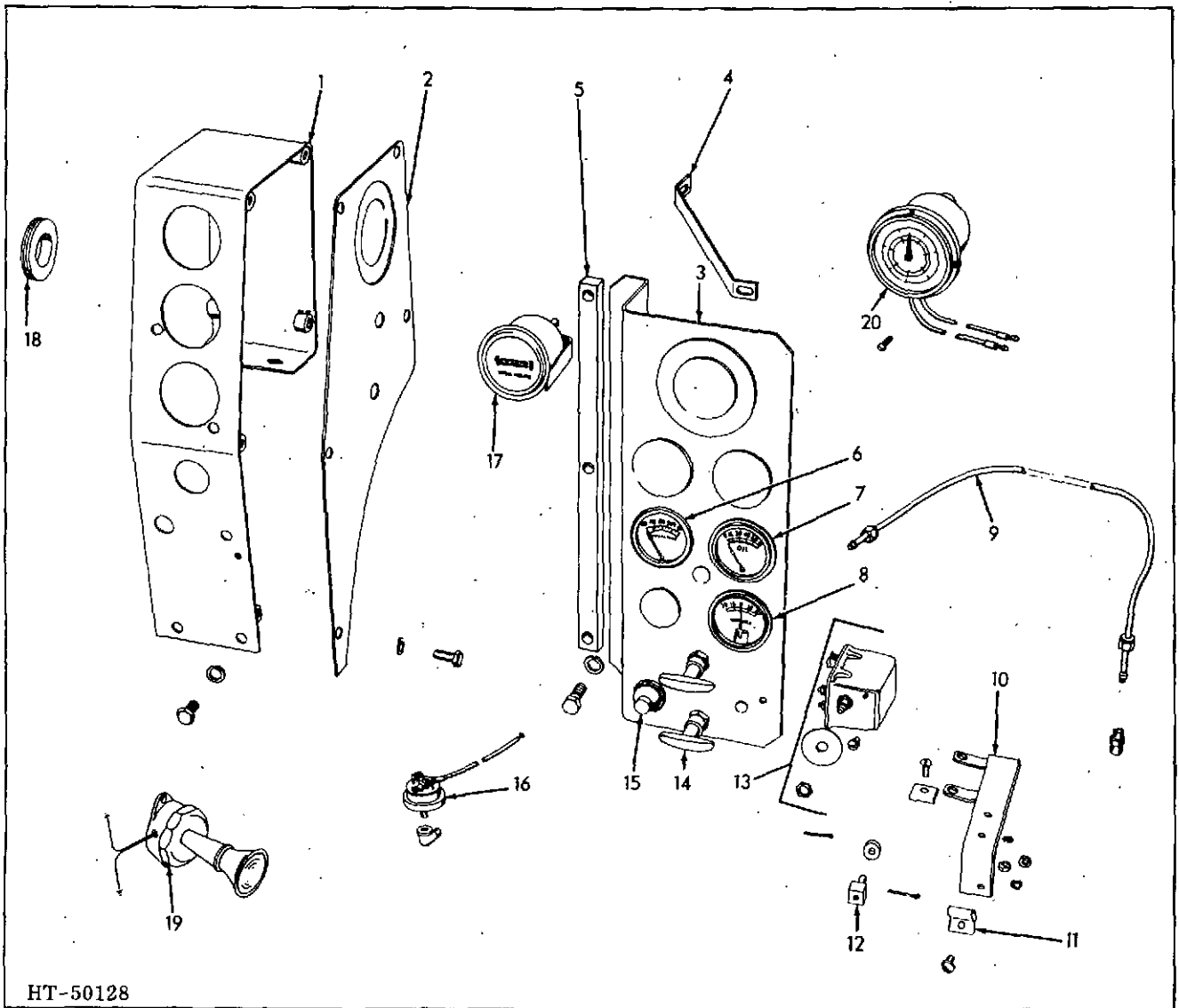
AIR CLEANER (CONTINUED)
 11000
 Power Unit & Diesel Electric Set
 * Heavy Duty
 ** Extra Heavy Duty

ITEM	PART NUMBER	QTY. * **	DESCRIPTION	PACKAGE NO.
8	638713	1 1	ADAPTOR	
9	4055617	1 1	WASHER, fiber	
10	638712	4 4	BOLT, tee	
11	185132	4 4	HOOK	
12	185133	4 4	NUT, wing	
	917356	4 4	LOCKWASHER, 5/16"	
13	634446	1 1	ELEMENT, (4339257) (4339258) (4339260) (4339261) (4339553) (4339552)	
14	4339259	1 -	PANEL ASSY., moisture eliminator (4339260) (4339261) (4339552)	
15	4339262	1 1	GUARD, rain (Cannot be used w/Vertical Inlet Adaptor) (4339262)	
16	4338994	- 1	PANEL ASSY., pre-cleaner (4339257) (4339258) (4339553)	
17	4339008	1 1	CAP, inlet (4338986)	
18	4339007	1 1	ADAPTOR, vertical air inlet (Cannot be used w/Rain Guard) (4338986)	
19	4339451	1 1	BRACKET, air cleaner mounting (4339552) (4339553)	
	4338995	1 1	BRACKET, air cleaner mounting (4339257) (4339260)	
	916271	4 -	CAPSCREW, 3/8" NC x 1" (4339552 only)	
	915408	4 4	CAPSCREW, 3/8" NC x 3/4"	
	916866	4 4	CAPSCREW, 7/16" NC x 2-3/4" (4339553, 4339257, 4239260)	
	904206	4 4	LOCKWASHER, 3/8"	
	904207	4 4	LOCKWASHER, 7/16"	
20	4337371	2 2	SPACER, mounting (4339257) (4339260) (4339552) (4339553)	



AIR FILTER SERVICE INDICATOR
10000 & 11000
Power Unit & Diesel Electric Set

ITEM	PART NUMBER	QTY.	DESCRIPTION	PACKAGE NO.
1	4379421	1	INDICATOR ASSY., air filter service (27 W) (4338441) (Prior to Serial No. 10-11796 & 11-10295)	
2	4379928	1	CONNECTOR, (Incl. FILTER) (4338441)	
3	4388648	1	INDICATOR ASSY., air filter service (4339066) (4339079) (4339228) (4339229) (4339257) (4339258) (4339260) (4339261) (4339550) (4339551) (4339552) (4339553) (4388648) (Effective w/Serial No. 10-11796 & 11-10295 f/Catalog No. 4338441)	



HT-50128

INSTRUMENTS & PANELS
10000 & 11000
Power Unit

ITEM	PART NUMBER	QTY.	DESCRIPTION	PACKAGE NO.
1	4339094	1	PANEL, instrument (Mounts on SAE No. 1 Flywheel Housing) (4339071) (4339900)	
	916253	2	CAPSCREW, 7/16" NC x 3/4"	
	904207	2	LOCKWASHER, 7/16"	
	915408	2	CAPSCREW, 3/8" NC x 3/4"	
	904206	2	LOCKWASHER, 3/8"	
	4335911	1	PANEL, instrument (Mounts on SAE No. 1 Flywheel Housing) (4335912) (Std. on 4336886, 4336887, 4336888, 4336891, 4336892, 4336893 Engine Assys.)	
	919228	2	CAPSCREW, 7/16" NC x 1-1/8"	
	916269	2	CAPSCREW, 3/8" NC x 7/8"	
	904207	2	LOCKWASHER, 7/16"	
	904206	2	LOCKWASHER, 3/8"	
	912332	2	WASHER, plain, 17/32"	

Continued

INSTRUMENTS & PANELS (CONTINUED)
10000 & 11000
Power Unit

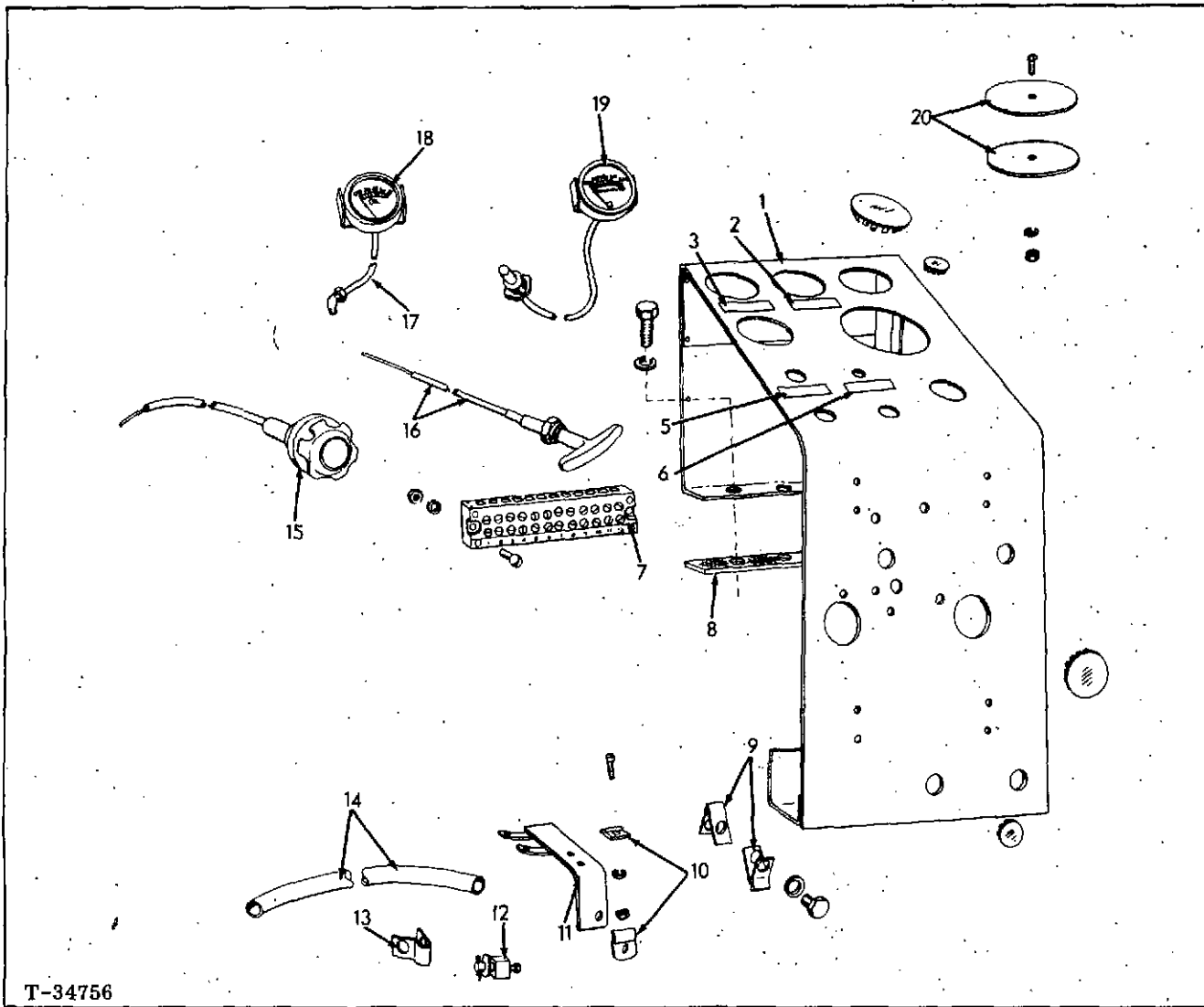
ITEM	PART NUMBER	QTY.	DESCRIPTION	PACKAGE NO.
2	4335910	1	COVER, instrument panel (4339512) (Std. on 4336886, 4336887, 4336888, 4336891, 4336892, 4336893 Engine Assemblies)	
	915813	5	CAPSCREW, 5/16" NC x 7/8"	
	904205	5	LOCKWASHER, 5/16"	
	4339097	1	COVER, instrument panel (R. H.) (4339900)	
	4339096	1	COVER, instrument panel (L. H.) (4339071)	
3	912320	9	CAPSCREW, No. 10 NC x 1/2"	
	4335901	1	PANEL, instrument (Radiator Mounted - Right Hand Side) (4335751)	
	4335878	1	PANEL, instrument (Radiator Mounted - Left Hand Side) (4335881)	
	915408	3	CAPSCREW, 3/8" NC x 3/4"	
	904206	3	LOCKWASHER, 3/8"	
	910324	3	NUT, 3/8" NC	
	4339106	1	PANEL, instrument (Radiator Mounted - Left & Right Hand Side) (4339083) (4339084)	
4	916272	3	CAPSCREW, 3/8" NC x	
	904206	3	LOCKWASHER, 3/8"	
5	4339108	1	SPACER, panel (4339083) (4339084)	
6	4339107	1	BRACE, panel (4339083) (4339084)	
	915406	1	CAPSCREW, 1/4" NC x 3/4"	
	904204	1	LOCKWASHER, 1/4"	
	910880	1	NUT, 1/4" NC	
	916278	1	CAPSCREW, 5/16" NC x 1/2"	
	901165	1	WASHER, plain, 5/16"	
	904205	1	LOCKWASHER, 5/16"	
7	4352195	1	GAUGE, water temperature (4352195)	
	4354130	1	GAUGE, water temperature (4354130)	
	4506592	1	GAUGE, water temperature (w/Safety Switch) (4378575) (4378580)	
8	4378438	1	GAUGE, oil pressure (4378478) (4378577)	
	4506591	1	GAUGE, oil pressure (w/Safety Switch) (4378575) (4378580)	
	910199	1	CONNECTOR	
9	4016592	1	AMMETER, (4336966) (4336967) (4336968) (4336969) (4337956) (4337957)	
9	4386066	1	LINE, oil pressure gauge (36" Long) (4378478) (4378575)	
	4386065	1	LINE, oil pressure gauge (60" Long) (4378577) (4378580)	
	910126	1	CONNECTOR, 1/8" P. T. x 3/16" O. D. tube	

INSTRUMENTS & PANELS (CONTINUED)

10000 & 11000

Power Unit

ITEM	PART NUMBER	QTY.	DESCRIPTION	PACKAGE NO.	
10	4034456	1	BRACKET, stop control (4336993)		
	4503243	1	BRACKET, speed control (4339073)		
11	4016034	1	CLIP, speed and stop control (4336991) (4336993) (4339073)		
	901217	1	SCREW, No. 10 NC x 5/8"		
	904203	1	LOCKWASHER, No. 10		
	901310	1	NUT, No. 10 NC		
12	4014781	1	SWIVEL, throttle control (4339073) (2 req'd f/grp. 4339074)	} (4339073) (2 req'd f/grp. 4339074)	
	900552	1	SCREW, No. 8 NC x 3/8"		
	904746	1	PIN, cotter, 1/16" x 5/8"		
	917658	1	CLIP, 3/16" dia.		
	916268	1	CAPSCREW, 3/8" NC x 5/8" (f/917658 clip)		
		904206	1	LOCKWASHER, 3/8"	
		911115	2	WASHER, flat, 3/8" (4339074 only)	
		4362297	1	SWIVEL, throttle control (4336991)	
		901216	1	SCREW, No. 10 NC x 1/2"	
		900816	1	WASHER, plain, No. 10	
	900970	1	PIN, cotter, 1/16" x 1/2"		
13	4506640	1	SWITCH, magnetic (f/Fuel Valve) (4506640) (4336977)		
14	4390952	2	CONTROL, throttle and stop (4336991) (4336993) (4339073) (4339074)		
15	-----	1	SWITCH, starter (See STARTER)		
16	4365450	1	SWITCH, pressure, hourmeter (4378572) (4385735) (4509976)		
	907059	1	ELBOW, 90°, 1/8" PT		
17	4378570	1	HOURLMETER, (0-1000 Hours, 24 Volt) (4378572) (4335735)		
18	4401189	1	GROMMET, rear panel (4378575) (4378580)		
19	4361539	1	HOWLER, warning, 24 volt (4361539)		
20	4720510	1	HOURLMETER, 12 volt (4509976)		
	900547	3	SCREW, No. 6 NC x 3/8"		
	906963	3	LOCKWASHER, No. 6		
	901309	3	NUT, No. 6 NC		



ENGINE CONTROL PANEL - (STANDARD)
10000 & 11000

* For 4430606, 4430608, 4430619, 4430620, 4430621, 4430622, 4430624, 4430625, 4430626 & 4430627 DES
** For 4431020 DES

ITEM	PART NUMBER	QTY.		DESCRIPTION	PACKAGE NO.
		*	**		
1	4430633	1	1	PANEL ASSY., engine control.	
	921876	2	2	CAPSCREW, 7/16" NC x 1-1/8"	
	918199	2	2	LOCKWASHER, 7/16"	
	918267	2	2	WASHER, plain, 7/16"	
	919358	2	2	CAPSCREW, 3/8" NC x 1-1/8"	
	916965	2	2	LOCKWASHER, 3/8"	
	918266	2	2	WASHER, plain, 3/8"	
	921442	4	3	BUTTON, plug, 5/8"	
	921443	2	1	BUTTON, plug, 11/16"	
	921445	3	2	BUTTON, plug, 1-5/16"	
921446	3	2	BUTTON, plug, 2"		
2	4461049	1	1	PLATE, name, water temperature	
3	4461051	1	1	PLATE, name, oil pressure	

ENGINE CONTROL PANEL - (STANDARD) (CONTINUED)

10000 & 11000

* For 4430606, 4430608, 4430619, 4430620, 4430621, 4430622, 4430624, 4430625, 4430626 & 4430627 DES

** For 4431020 DES

ITEM	PART NUMBER	QTY.		DESCRIPTION	PACKAGE NO.
		*	**		
5	4461046	1	1	PLATE, name, speed control	
6	4661047	1	1	PLATE, name, stop control	
7	4461221	-	1	BLOCK, terminal	
	4406597	1	1	BLOCK, terminal	
	911254	2	2	SCREW, rd. hd., No. 10 NC x 1-1/2"	
	917365	2	2	LOCKWASHER, No. 10	
	916221	2	2	NUT, No. 10 NC	
8	4430638	2	2	DAMPER, vibration, panel	
9	4330872	2	1	CLIP, throttle and stop control cable.	
	916277	1	-	CAPSCREW, 5/16" NC x 5/8"	
	904205	1	-	LOCKWASHER, 5/16"	
10	4016034	2	1	CLIP, throttle and stop control cable	
	901173	2	1	SCREW, rd. hd., No. 10 NC x 5/8"	
	904203	2	1	LOCKWASHER, No. 10	
	901310	2	1	NUT, No. 10 NC	
11	4034456	1	-	BRACKET, control cable	
12	4362297	1	1	SWIVEL, throttle control	
	901172	1	1	SCREW, No. 10 NC x 1/2"	
	900816	2	2	WASHER, No. 10	
	900970	1	1	PIN, cotter, 1/16" x 1/2"	
13	4312302	-	1	CLAMP, tube	
	919321	-	1	CAPSCREW, 7/16" NC x 3/4"	
	918199	-	1	LOCKWASHER, 7/16"	
14	4445472	1	-	TUBE, plastic, 1/2" I.D. x 36" long	
15	4443640	1	1	CONTROL, throttle	
16	4390952	1	-	CONTROL, stop	
	4651489	1	-	TUBE, copper, 3/16" O.D. x 44" long	
17	913474	1	-	ELBOW, female (Incl. NUT & SLEEVE), 1/8" P.T.	
	910129	1	-	ELBOW, male (Incl. NUT & SLEEVE), 1/8" P.T.	
	4511721	-	1	TUBE, copper, 1/8" O.D. x 16" long	
	910126	-	1	ELBOW, female, 1/8" P.T.	
	901702	-	1	TEE, pipe, 1/8" P.T.	
18	4378438	1	1	GAUGE, oil pressure	
19	4354130	1	1	GAUGE, water temperature	
20	4461282	2	2	COVER, hole, panel	
	916080	1	1	SCREW, rd. hd., No. 10 NC x 1/2"	
	917365	1	1	LOCKWASHER, No. 10	
	916621	1	1	NUT, No. 10 NC	

Continued

193

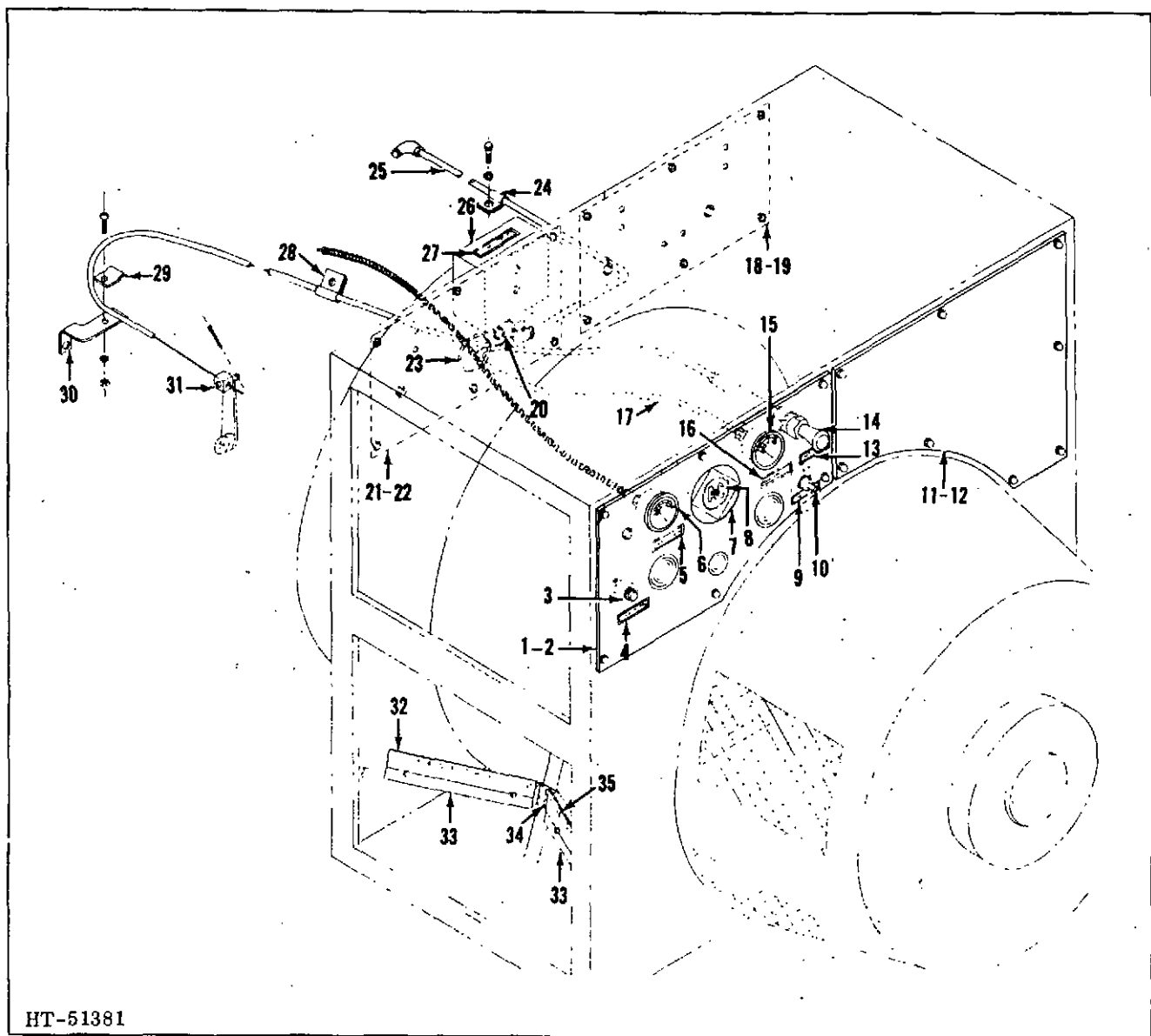
ENGINE CONTROL PANEL - (STANDARD) (CONTINUED)

10000 & 11000

* For 4430606, 4430608, 4430619, 4430620, 4430621, 4430622, 4430624, 4430625, 4430626 & 4430627 DES

** For 4431020 DES

ITEM	PART NUMBER	QTY.		DESCRIPTION	PACKAGE NO.
		*	**		
				NOTE: (Items 21 thru 31 are not Illustrated)	
21	4016592	1	1	AMMETER, (4430739) (4430786)	
22	4461071	1	1	PLATE, name, ammeter (4430786) (4430739)	
23	4470354	-	1	SWITCH, safety, low oil pressure	
	901825	-	1	BUSHING, reducer, 1/4" x 1/8"	
	901125	-	1	ELBOW, male, 1/8" P.T.	
24	4461053	-	1	PLATE, name, low oil switch	
25	4401189	-	1	GROMMET	
26	4016702	-	1	SWITCH, low oil by-pass	
27	4445929	-	1	PLATE, name, oil by-pass	
28	4408624	-	1	SWITCH, stop	
29	4444419	-	1	PLATE, name (on-off)	
30	4513017	-	1	BRACKET, cable supporting	
31	915643	-	1	TRANSFER, A. C. trademark	



HT-51381

ENGINE CONTROL PANEL - (STANDARD)
10000 & 11000

USAGE: For 4430225, 4430800, 4430801, 4430803, 4430804, 4430967,
4430968, 4430969, 4430970, 4431440 & 4431643 DES

ITEM	PART NUMBER	QTY.	DESCRIPTION	PACKAGE NO.
1	4430852	1	PANEL, engine control	
	907727	6	CAPSCREW, 1/4" NC x 5/8"	
	916964	6	LOCKWASHER, 1/4"	
	921443	1	PLUG, button, 11/16" diameter	
	921445	1	PLUG, button, 15/16" diameter	
	921446	2	PLUG, button, 2" diameter	
2	4431213	1	GASKET, control panel	
3	4016702	1	SWITCH, low oil by-pass	
4	4445929	1	PLATE, name (start by-pass)	
5	4461049	1	PLATE, name (water temperature)	

Continued

ENGINE CONTROL PANEL - (STANDARD) (CONTINUED)

10000 & 11000

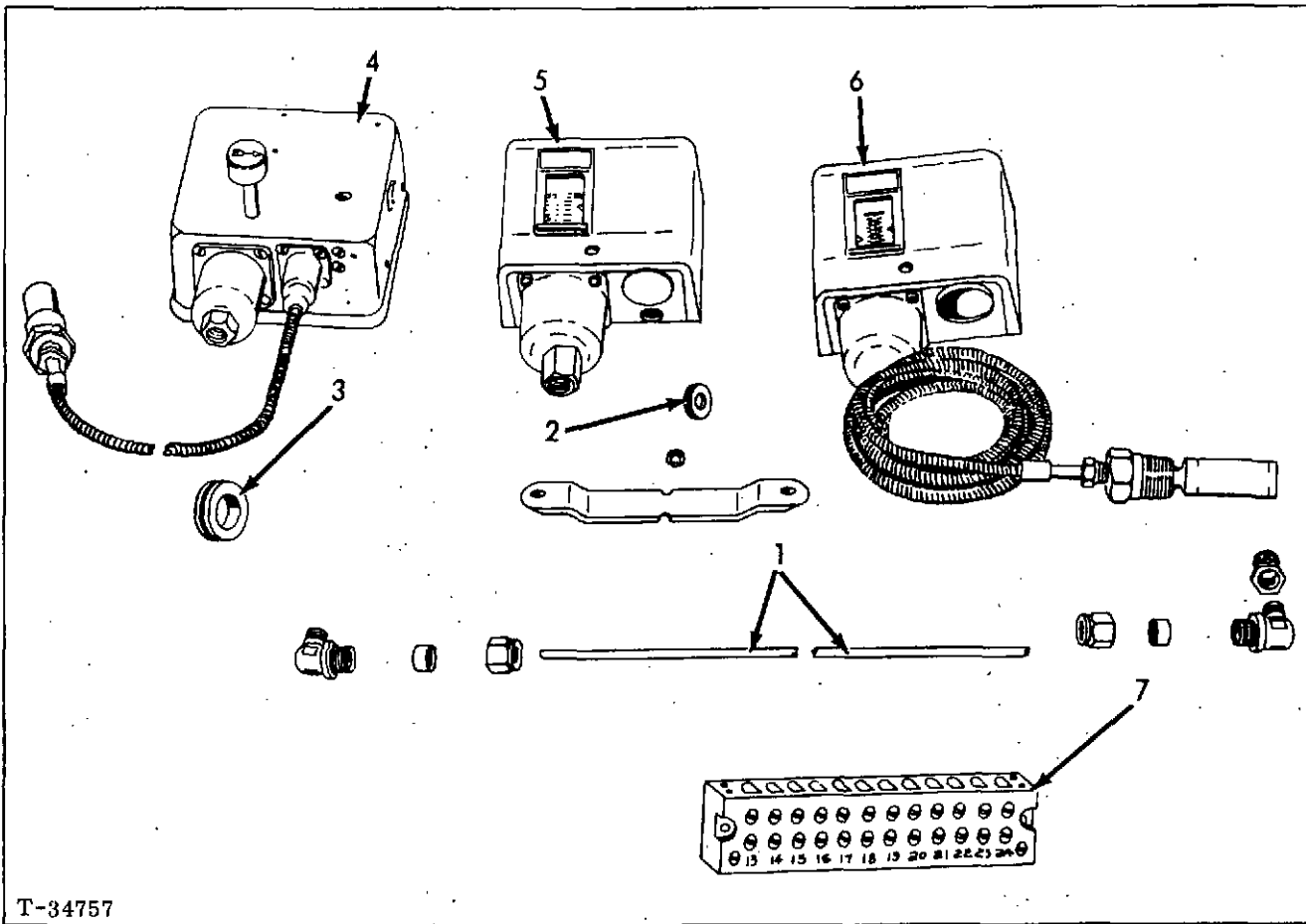
USAGE: For 4430225, 4430800, 4430801, 4430803, 4430804, 4430967,
4430968, 4430969, 4430970, 4431440 & 4431643 DES

ITEM	PART NUMBER	QTY.	DESCRIPTION	PACKAGE NO.
6	4354130	1	GAUGE, water temperature	
7	4461282	2	COVER, hole	
8	915643	1	TRANSFER, A-C trademark	
	916080	1	SCREW, round head, 3/16" NC x 1/2"	
	917365	1	LOCKWASHER, 3/16"	
	916621	1	NUT, 3/16" NC	
9	4461047	1	PLATE, name (stop control)	
10	4408624	1	SWITCH, stop	
11	4430854	1	COVER, generator end	
	907727	8	CAPSCREW, 1/4" NC x 5/8"	
	916964	8	LOCKWASHER, 1/4"	
12	4430855	1	GASKET, end cover	
13	4461046	1	PLATE, name (speed control)	
14	4443640	1	CONTROL, throttle	
15	4378438	1	GAUGE, oil pressure	
	910199	1	CONNECTOR, female, 1/8" P. T. x 3/16" O. D. tube	
16	4461051	1	PLATE, name (oil pressure)	
17	4430492	1	TUBE, 3/16" O. D. x 22" long (gauge to switch)	
18	4430859	1	PANEL, preliminary contactor	
	907727	6	CAPSCREW, 1/4" NC x 5/8"	
	916964	6	LOCKWASHER, 1/4"	
	921442	2	PLUG, button, 5/8" diameter	
19	4431222	1	GASKET, preliminary contactor panel	
20	4401189	1	GROMMET	
21	4430858	1	PANEL, safety contactor	
	907727	6	CAPSCREW, 1/4" NC x 5/8"	
	916964	6	LOCKWASHER, 1/4"	
	921442	1	PLUG, button, 5/8" diameter	
22	4431222	1	GASKET, safety contactor panel	
23	4431246	1	GROMMET	
24	4312302	1	CLAMP, tube supporting	
	919321	1	CAPSCREW, 7/16" NC x 3/4"	
	918199	1	LOCKWASHER, 7/16"	
25	4651489	1	TUBE, 3/16" O. D. x 44" long (switch to gallery)	
	901825	1	BUSHING, reducer, 1/4" x 1/8" (at switch)	
	910130	1	TEE, male, 3/16" tube x 1/8" PT (at switch)	
	910129	1	ELBOW, male, 3/16" tube x 1/8" PT (at gallery)	

ENGINE CONTROL PANEL - (STANDARD) (CONTINUED)
10000 & 11000

USAGE: For 4430225, 4430800, 4430801, 4430803, 4430804, 4430967,
4430968, 4430969, 4430970, 4431440 & 4431643 DES

ITEM	PART NUMBER	QTY.	DESCRIPTION	PACKAGE NO.
26	4470354	1	SWITCH, safety, low oil pressure	
27	4461053	1	PLATE, name (low oil switch)	
28	4330872	1	CLAMP, cable supporting	
	905661	1	CAPSCREW, 5/16" NC x 5/8"	
	904205	1	LOCKWASHER, 5/16"	
29	4016034	1	CLIP, cable supporting	
	901173	1	CAPSCREW, round head, No. 10 NC x 5/8"	} (4430225 only)
	904203	1	LOCKWASHER, No. 10	
	910310	1	NUT, No. 10 NC	} (all except 4430225)
	922026	1	CAPSCREW, round head, No. 10 NC x 5/8"	
	917365	1	LOCKWASHER, No. 10	
	916621	1	NUT, No. 10 NC	
30	4034456	1	BRACKET, cable supporting (4430225 only)	
	4513017	1	BRACKET, cable supporting (all except 4430225)	
31	4362297	1	SWIVEL, throttle control	
	901172	1	SCREW, round head, 3/16" NC x 1/2"	} (4430225 only)
	900816	2	WASHER, plain, 1/4"	
	916080	1	SCREW, round head, No. 10 NC x 1/2"	} (all except 4430225)
	917377	2	WASHER, plain, No. 10	
	900970	1	PIN, cotter, 1/16" x 1/2"	
32	4430988	1	STRIP, marking (1 to 12)	
33	4430987	2	BLOCK, terminal	
	917439	4	SCREW, round head, No. 6 NC x 1-1/4"	
	917459	4	LOCKWASHER, No. 6	
	917479	4	NUT, No. 6 NC	
34	4430853	1	BRACKET, terminal block	
	907727	2	CAPSCREW, 1/4" NC x 5/8"	
	916964	2	LOCKWASHER, 1/4"	
35	4430989	1	STRIP, marking (13 to 24)	
36	4444419	1	PLATE, name, stop switch (on-off) (Not Illustrated)	



T-34757

SAFETY CONTROLS
 10000 & 11000
 Diesel Electric Set
 * (4430735)
 ** (4430736)
 *** (4430737)
 **** (4430829)

ITEM	PART NUMBER	QTY.				DESCRIPTION	PACKAGE NO.
		*	**	***	****		
1	4511721	1	1	-	-	TUBE, copper	
	4461539	-	-	1	-	TUBE, copper	
	4444337	-	-	-	1	TUBE, copper	
	901825	1	-	1	1	BUSHING, reducer, 1/4" x 1/8" P.T.	
	910129	2	2	2	2	ELBOW, 1/8" P.T. x 3/16" O.D.	
	901702	1	1	-	-	TEE, pipe, 1/8" P.T.	
	910126	1	1	-	-	CONNECTOR, 1/8" P.T. x 3/16" O.D.	
2	4401189	2	-	2	2	GROMMET (4445953)	
3	4441258	1	-	1	-	GROMMET	
4	4016651	-	1	-	-	SWITCH, safety, combination high water temperature and low oil pressure	
	917375	-	2	-	-	SCREW, rd. hd., No. 12 NC x 1/2"	
	917389	-	2	-	-	LOCKWASHER, No. 12	
	917376	-	2	-	-	NUT, No. 12 NC	

SAFETY CONTROLS (CONTINUED)

10000 & 11000

Diesel Electric Set

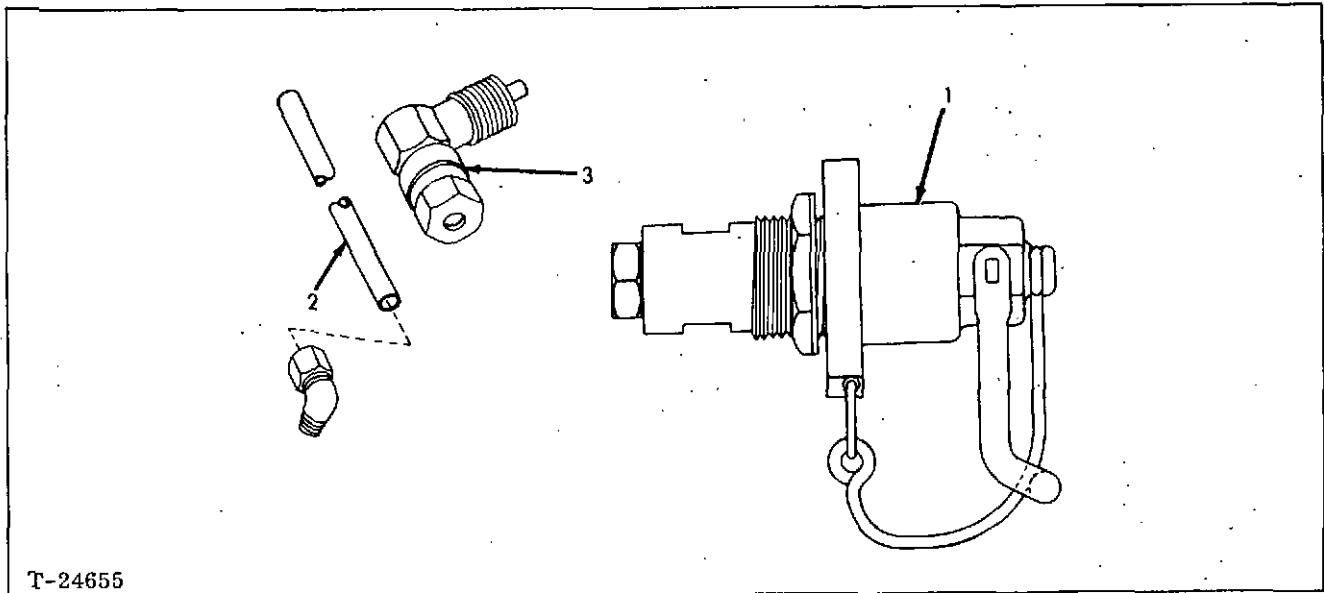
* (4430735)

** (4430736)

*** (4430737)

**** (4430829)

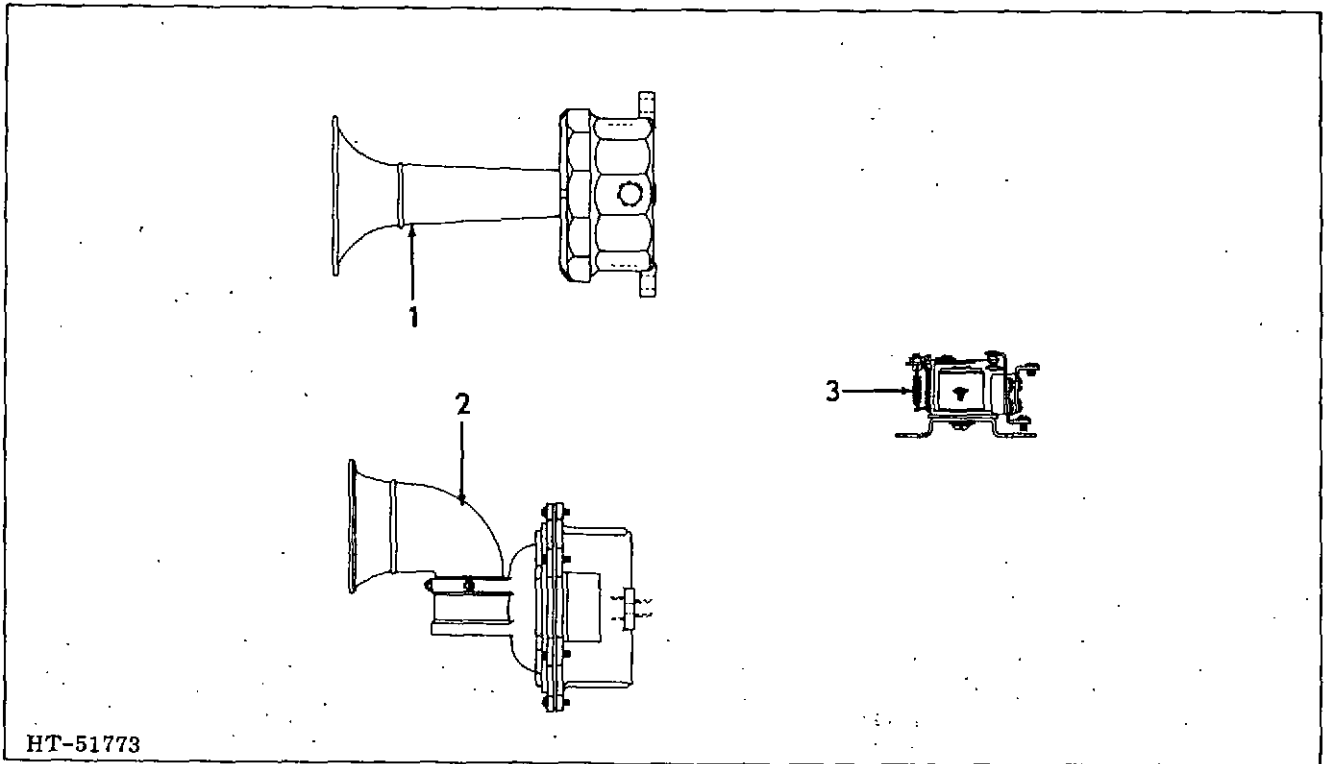
ITEM	PART NUMBER	QTY.				DESCRIPTION	PACKAGE NO.
		*	**	***	****		
5	4442495	1	-	1	1	SWITCH, safety, low oil pressure	
6	4442494	1	-	1	1	SWITCH, safety, high water temperature	
	4470355	-	-	-	1	SWITCH, safety, high water temperature (4445953 only)	
7	4461221	-	-	1	-	BLOCK, terminal	
	911254	-	-	2	-	SCREW, No. 10 NC x 1-1/2"	
	917365	-	-	2	-	LOCKWASHER, No. 10	
	916621	-	-	2	-	NUT, No. 10 NC	
NOTE: (Items 8 thru 13 are not illustrated)							
8	4430706	1	-	-	-	WIRE ASSY., No. 16	
	4430707	1	-	-	-	WIRE ASSY., No. 17	
	4430708	1	-	-	-	WIRE ASSY., No. 18	
	4430709	1	-	-	-	WIRE ASSY., No. 19	
	4430715	-	1	-	-	WIRE ASSY., No. 25	
	4430716	-	1	-	-	WIRE ASSY., No. 26	
	4430722	-	-	1	-	WIRE ASSY., No. 32	
	4430726	1	-	-	-	WIRE ASSY., No. 36	
	4430727	1	-	-	-	WIRE ASSY., No. 37	
	4430728	1	-	-	-	WIRE ASSY., No. 38	
	4430731	-	-	1	-	WIRE ASSY., No. 41	
	4430732	-	-	1	-	WIRE ASSY., No. 42	
	4430733	-	-	1	-	WIRE ASSY., No. 43	
	4430814	-	-	-	1	WIRE ASSY, safety switches	
9	4312302	-	-	-	1	CLAMP, tube	
10	4461052	1	-	1	1	PLATE, name, high water temperature switch (4430735, 4430737, 4445953)	
11	4461053	1	-	1	-	PLATE, name, low oil pressure switch	
12	4445598	-	-	-	1	PLATE, name, high water temperature switch (4430829)	
13	4445599	-	-	-	1	PLATE, name, low oil pressure switch	



T-24655

ETHER STARTING AID
 10000 & 11000
 Power Unit & Diesel Electric Set
 (4335764)

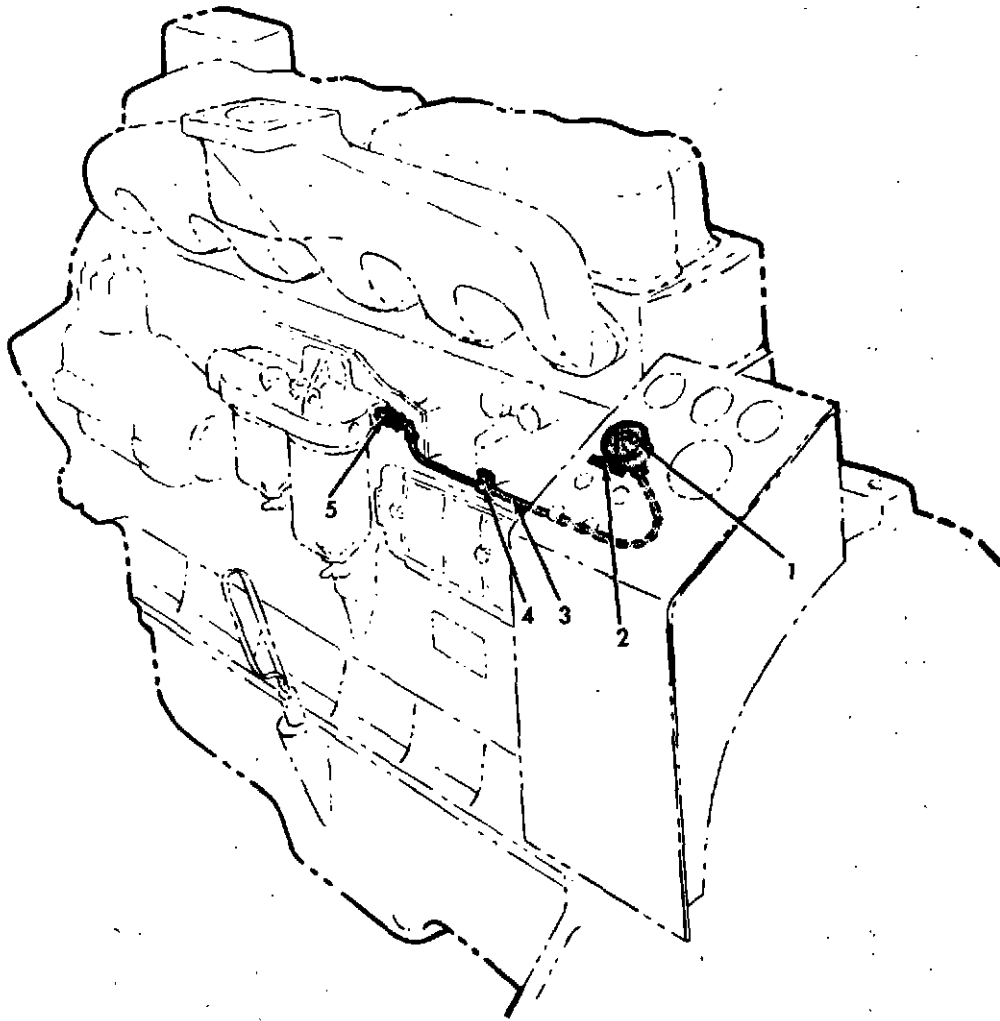
ITEM	PART NUMBER	QTY.	DESCRIPTION	PACKAGE NO.
1	4368936	1	DISCHARGER ASSY., pressure primer	
2	4348923	1	TUBE, ether fluid	
	910128	1	ELBOW, male, 1/8" P.T. x 1/8" O.D. tube	
3	4365741	1	ELBOW, sprayer	



HT-51773

WARNING HORNS & RELAY
10000 & 11000
Diesel Electric Set

ITEM	PART NUMBER	QTY.	DESCRIPTION	PACKAGE NO.
1	4505791	1	HORN, warning, 6 volt (4505791)	
	4352249	1	HORN, warning, 12 volt (4352249)	
	4361539	1	HORN, warning, 24 volt (4361539)	
	4311548	1	HORN, warning, 32 volt (4311548)	
	4442414	1	HORN, warning, 120 volt (4442414)	
2	4406621	1	HORN, warning, 120 volt A. C. (4406621)	
3	4444418	1	RELAY, warning horn, 120 volt A. C. (4444417)	
	4430860	1	RELAY, warning horn, 24 volt D. C. (4430868)	
	912731	2	SCREW, No. 8 NC x 5/16"	
	917395	2	LOCKWASHER, No. 8	



T-34769

FUEL PRESSURE GAUGE
 10000 & 11000
 Diesel Electric Set
 * (4430766)
 ** (4430823)

ITEM	PART NUMBER	QTY. * **	DESCRIPTION	PACKAGE NO.
1	4366293	1 -	GAUGE, fuel pressure	
	4336040	- 1	GAUGE, fuel pressure	
2	4461050	1 1	PLATE, name, fuel pressure	
3	4386065	- 1	TUBE, copper	
	4617430	1 -	TUBE, copper	
	910199	1 -	CONNECTOR, female, 1/8" P.T. x 3/16" O.D.	
	910856	- 1	ADAPTOR, 1/8" P.T. x 1/4"	
	910129	1 1	ELBOW, 1/8" P.T. x 3/16" O.D.	

FUEL PRESSURE GAUGE (CONTINUED)

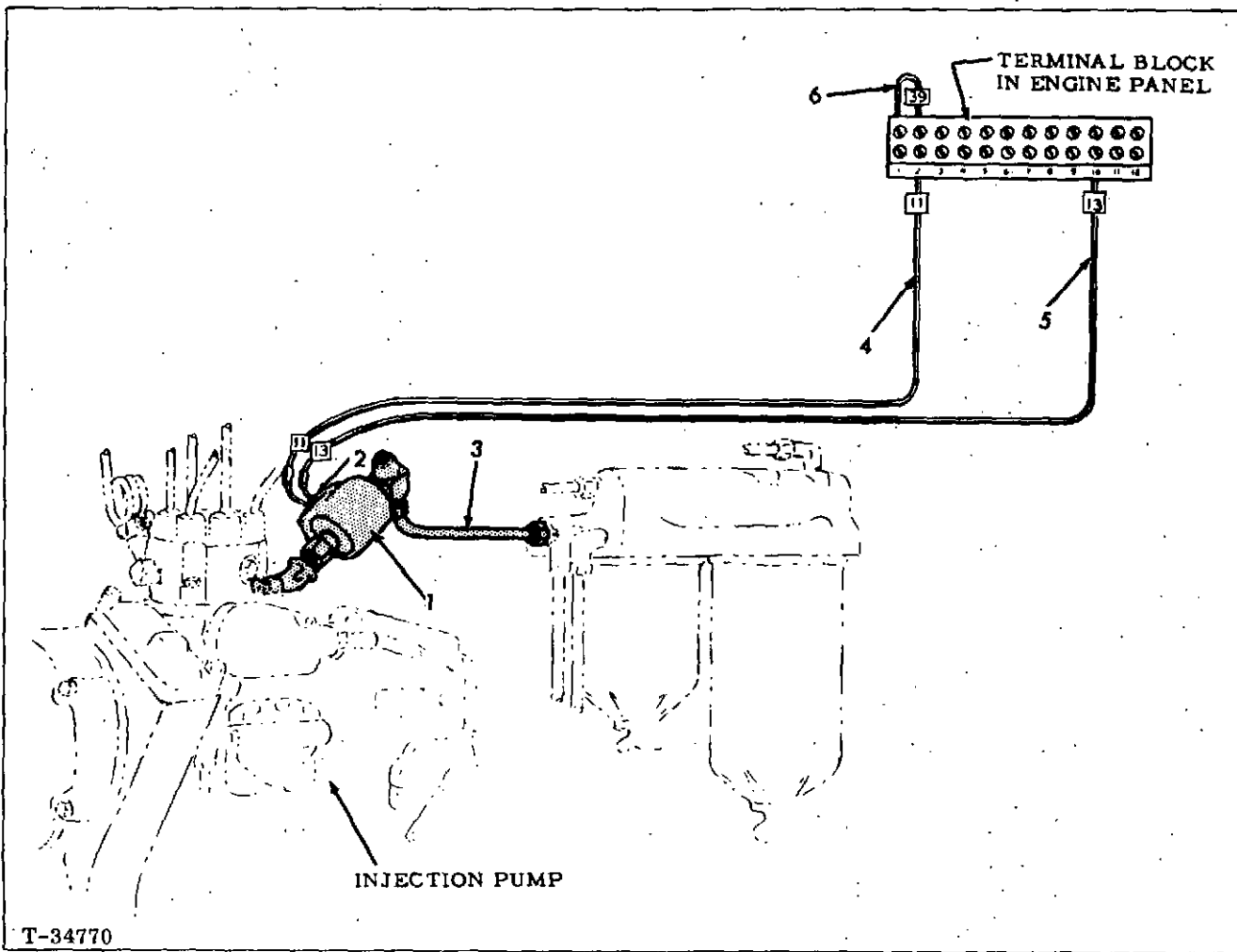
.10000 & 11000

Diesel Electric Set

* (4430766)

** (4430823)

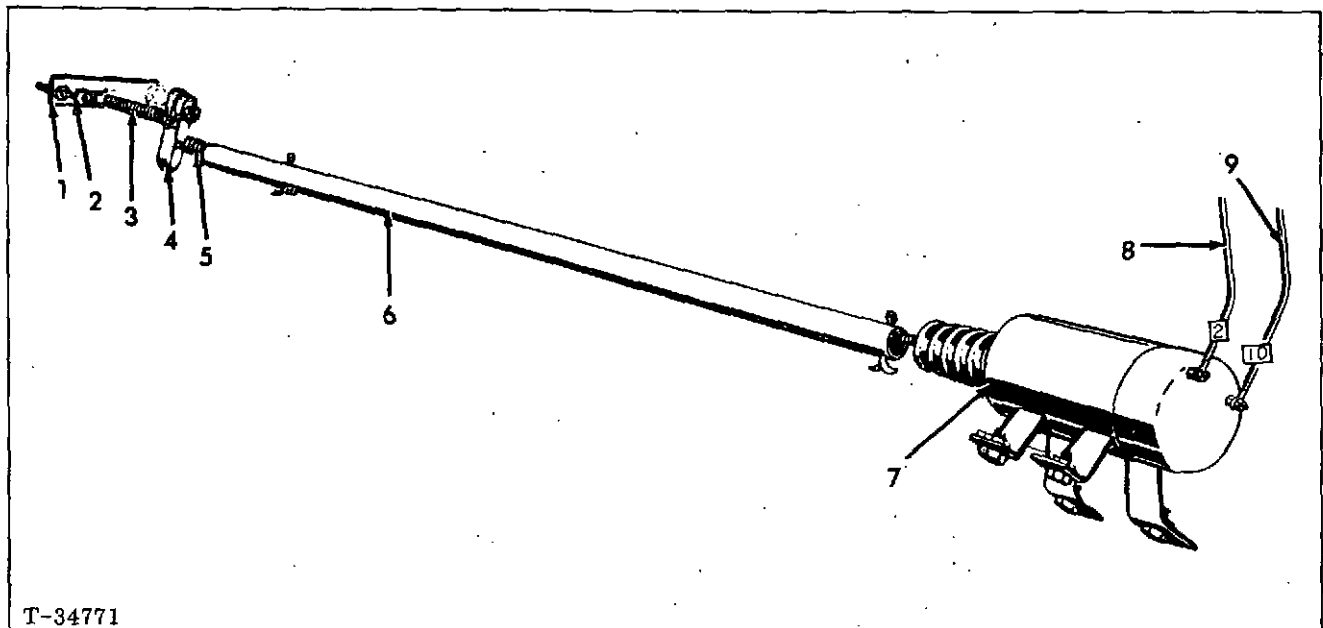
ITEM	PART NUMBER	QTY.		DESCRIPTION	PACKAGE NO.
		*	**		
4	4250024	1	-	CLAMP, tube	
	4304889	-	1	CLAMP, tube	
	919318	1	1	CAPSCREW, 5/16" NC x 5/8"	
	917356	1	1	LOCKWASHER, 5/16"	
5	4460794	1	1	SNUBBER, pressure	
	901825	1	1	BUSHING, reducer, 1/4" x 1/8" P.T.	



T-34770

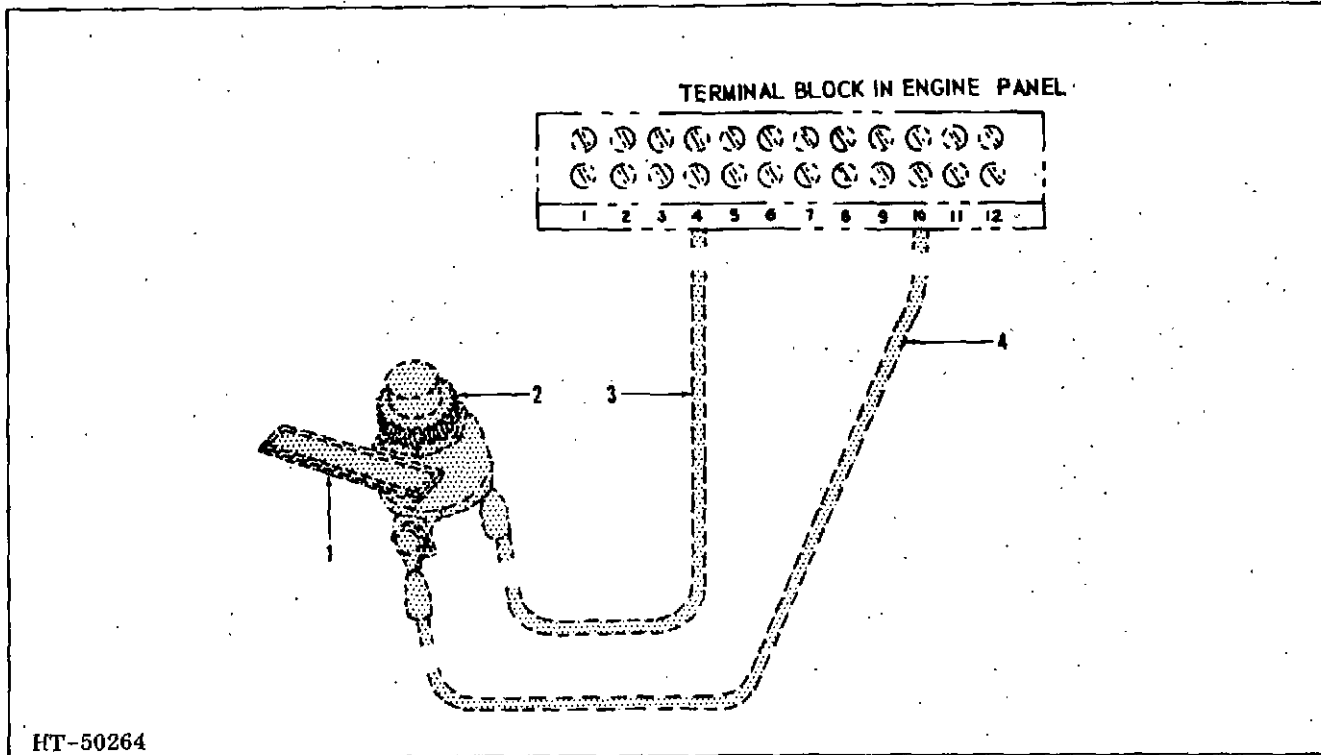
FUEL VALVE
10000 & 11000
Diesel Electric Set

ITEM	PART NUMBER	QTY.	DESCRIPTION	PACKAGE NO.
1	4378941	1	VALVE, fuel cut-off, 6 volt D. C. (4430682)	
	4378939	1	VALVE, fuel cut-off, 12 volt D. C. (4430683)	
	4378938	1	VALVE, fuel cut-off, 24 volt D. C. (4430684)	
	4378940	1	VALVE, fuel cut-off, 32 volt D. C. (4430685)	
	4378942	1	VALVE, fuel cut-off, 120 volt D. C. (4430686)	
	4378943	1	VALVE, fuel cut-off, 120 volt A. C. (4430687)	
	907058	1	ELBOW, 45° street, 1/4" P. T.	
	901478	1	NIPPLE, close, 1/4" P. T. x 7/8" long	
2	4441258	1	GROMMET, (in Valve)	
3	4430688	1	TUBE ASSY., 2nd filter to valve (Incl. NUTS & SLEEVES)	
	917807	2	SLEEVE, 3/8" O. D. tube	
	917810	2	NUT, 3/8" O. D. tube	
4	4430701	1	WIRE ASSY., No. 11	
5	4430703	1	WIRE ASSY., No. 13	
6	4430729	1	WIRE ASSY., No. 39	



STOP CONTROL SOLENOID (4430681)
10000 & 11000
Diesel Electric Set

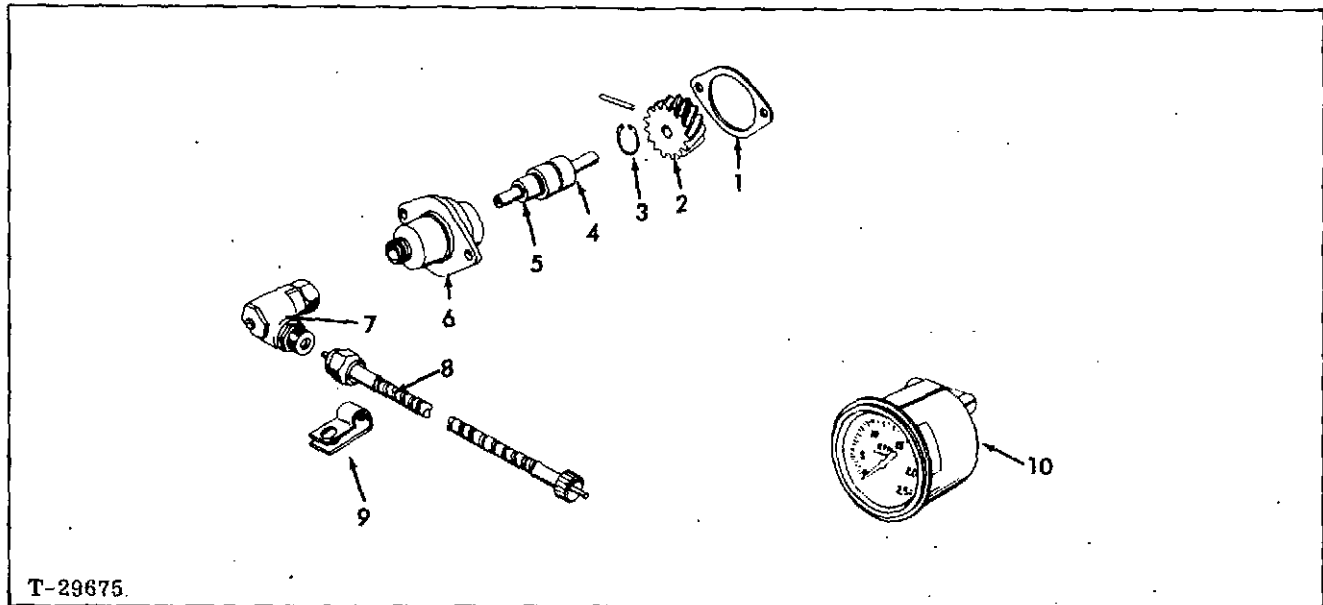
ITEM	PART NUMBER	QTY.	DESCRIPTION	PACKAGE NO.
1	4430765	1	BRACKET, stop control	
2	4470336	1	BOLT, eye	
	910880	2	NUT, 1/4" NC	
3	4430563	1	SPRING	
4	4430562	1	ARM, injection pump	
5	4441873	1	SPRING	
6	4430690	1	ARM, connection	
	900806	2	PIN, cotter, 1/8" x 1"	
7	4430561	1	SOLENOID, stop control	
	915408	4	CAPSCREW, 1/4" NC x 3/4"	
	917377	4	WASHER, plain, 1/4"	
	904204	4	LOCKWASHER, 1/4"	
	910880	4	NUT, 1/4" NC	
8	4430692	1	WIRE ASSY., No. 2	
9	4430700	1	WIRE ASSY., No. 10	
10	921441	1	PLUG, button, 1/2"	} (Not Illustrated)
11	917800	1	PLUG, button, 13/16"	



HTT-50264

EMERGENCY STOP SWITCH
 10000 & 11000
 Diesel Electric Set
 (4430738)

ITEM	PART NUMBER	QTY.	DESCRIPTION	PACKAGE NO.
1	4445303	1	PLATE, name, emergency stop	
2	4016702	1	SWITCH, stop	
3	4430723	1	WIRE ASSY., No. 33	
4	4430724	1	WIRE ASSY., No. 34	

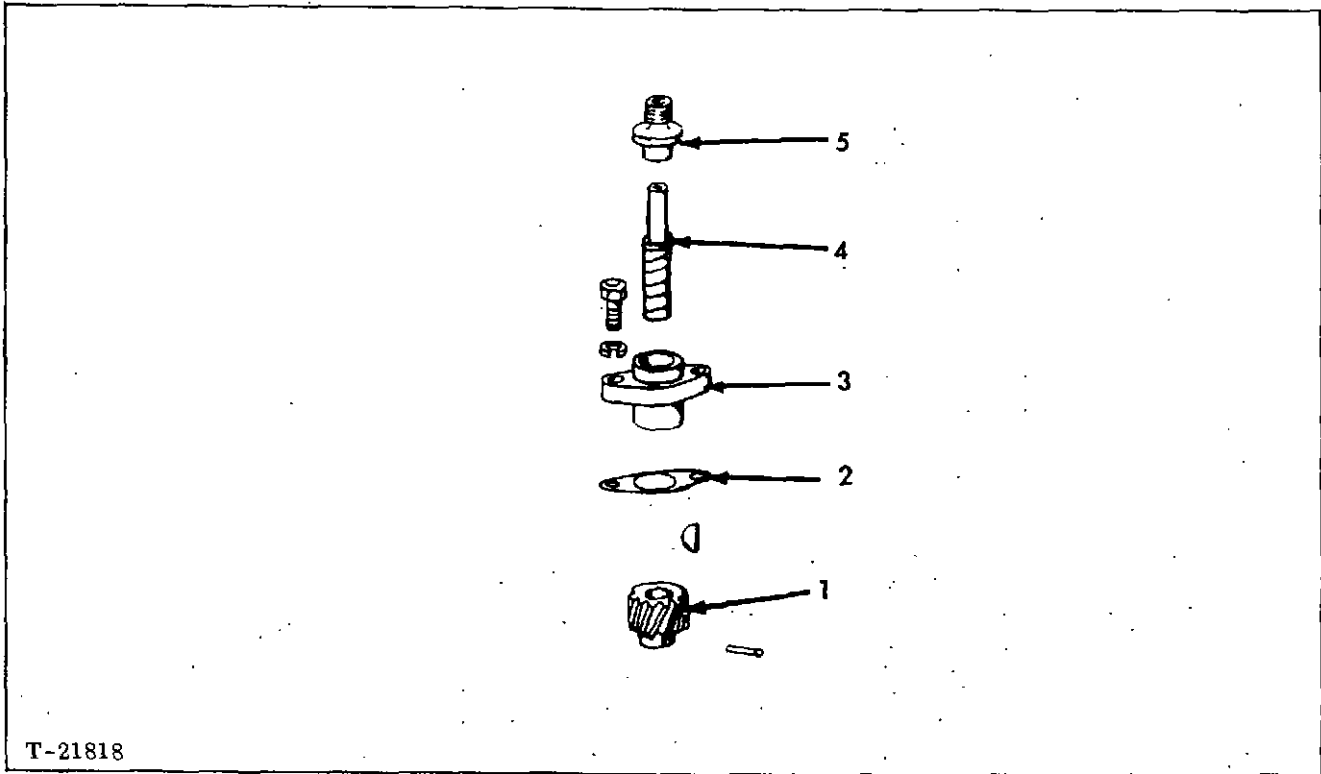


TACHOMETER
 10000 & 11000
 Power Unit & Diesel Electric Set

ITEM	PART NUMBER	QTY.	DESCRIPTION	PACKAGE NO.
-	4354371	1	DRIVE ASSY., tachometer (Incl. Items 2 thru 6) (4336975) (4339046) (4336974) (4338127) (4339326) (4430304) (4430734)	
	4354370	1	DRIVE ASSY., tachometer (Incl. Items 2 thru 6) (4339085) (4339325) (4339327) (4339328) (4430824)	
1	4335712	1	GASKET, tachometer drive	
2	4339237	1	GEAR, drive (Part of 4354371 Assy.)	
	913522	1	PIN, groove, 3/16" x 1-3/4"	
	4430876	1	GEAR, drive (Part of 4354370 Assy.)	
	921272	1	PIN, roll, 3/16" x 1-3/4"	
3	4253766	1	RING, snap	
4	4339249	1	BEARING, tachometer drive	
5	4430580	1	ADAPTOR, drive key	
6	4354389	1	HOUSING, drive	
7	4430579	1	ADAPTOR, tachometer drive (Incl. Item 11) (4430579) (4339325) (4339327) (4339328) (4339085) (4430824) (4430828) (4389858)	
8	4034020	1	CABLE, tachometer (60" long) (4338741) (4430304) (4430734)	
	4034520	1	CABLE, tachometer (44" long) (4338127)	
	4047639	1	CABLE, tachometer (25" long) (4336974)	
	4045152	1	CABLE, tachometer (84" long) (4339046)	

TACHOMETER (CONTINUED)
10000 & 11000
Power Unit & Diesel Electric Set

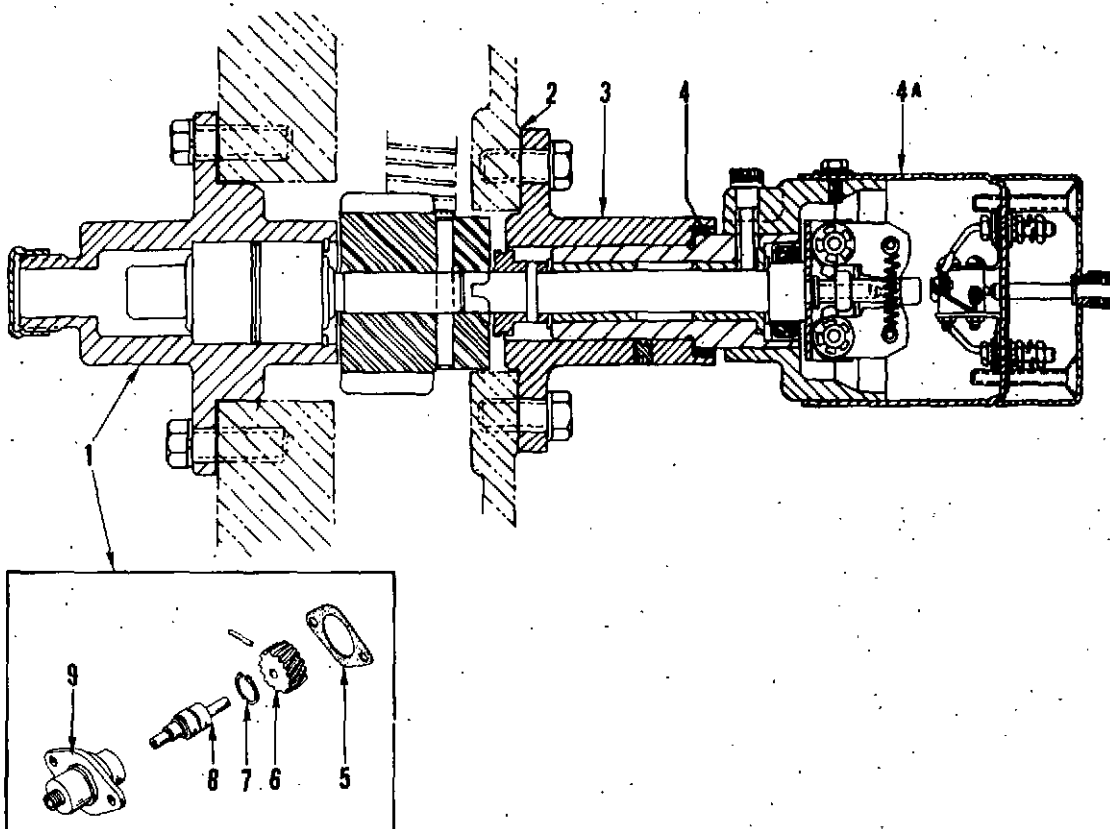
ITEM	PART NUMBER	QTY.	DESCRIPTION	PACKAGE NO.
8	4034251	1	CABLE, tachometer (48" long) (4339325) (4339328)	
	4048821	1	CABLE, tachometer (60" long) (4339085) (4339327)	
	4048867	1	CABLE, tachometer (78" long) (4430824) (4430828)	
9	4251849	1	CLIP, tachometer cable (4339085) (4339325) (4430734) (4339327) (4339328) 2 Required f/ (4339046) (4336974) (4338127) (4430304)	
	916277	1	CAPSCREW } (4430734) LOCKWASHER }	
	904205	1		
	4352834	1	CLAMP, tachometer cable (4430824) (4430828)	
	4254154	1	CLAMP, tachometer cable (4430734) (4430824) (4430828)	
	917132	1	CAPSCREW } (4430734) LOCKWASHER }	
	904208	1		
	921699	1	CAPSCREW, 1/2" NC x 1/2" } (4430824) (4430828) LOCKWASHER }	
	916966	1		
	10	4388842	1	TACHOMETER, (4339085) (4339325) (4430824) (4430828) (4430734)
4388843		1	TACHOMETER & HOURMETER, (4339327) (4339328)	
4033703		1	TACHOMETER, (4338127) (4338741) (4339046) (4430304) (4430734)	
11	4046124	1	TIP, drive (Not Illustrated)	
12	4034550	1	ADAPTOR, tachometer (Not Illustrated) (4338127, 4338741 & 4430734)	



T-21818

TACHOMETER DRIVE
 (11000 Off-Highway)
 (4337378) (4338741)

ITEM	PART NUMBER	QTY.	DESCRIPTION	PACKAGE NO.
1	4348354	1	GEAR, tachometer driving	
	917466	1	PIN, roll, 3/16" x 1-1/8"	
	905122	1	KEY, woodruff, 1/8" x 3/4"	
2	4253773	1	GASKET, adaptor housing	
3	4348387	1	HOUSING, tachometer drive adaptor	
	919224	2	CAPSCREW, 3/8" NC x 1-1/8"	
	904206	2	LOCKWASHER, 3/8"	
4	4348388	1	SHAFT, drive	
5	4348386	1	CAP, tachometer drive adaptor	



HT-50265

CRANKING LIMIT - OVERSPEED GOVERNOR - DRIVE
10000 & 11000

Power Unit & Diesel Electric Set

* w/Tachometer Drive - (4430856) (4430850) (4430819) (4430821) (4430817)

** w/o Tachometer Drive - (4339334) (4339335)

ITEM	PART NUMBER	QTY. * **	DESCRIPTION	PACKAGE NO.
1	4354370	1	- DRIVE ASSY., governor (Incl. Items 6 thru 9)	
	919362	2	- CAPSCREW, 3/8" NC x 2-1/4"	
	916965	2	- LOCKWASHER, 3/8"	
2	4430878	1	1 GASKET, governor adaptor	
3	4430877	1	1 ADAPTOR, governor	
	921508	2	2 CAPSCREW, nylok, 5/16" NC x 3/4"	
	905759	1	1 SETSCREW, 1/4" x 1/4"	
4	4253797	2	2 O-RING	
4A	4430820	1	- GOVERNOR ASSY., overspeed (Refer to Page 221 f/Components) (1800 RPM) (4430819)	
	4430822	1	- GOVERNOR ASSY., overspeed (Refer to Page 221 f/Components) (1500 RPM) (4430821)	
	4430818	1	- GOVERNOR ASSY., cranking limit (Refer to Page 212 f/Components) (4430817)	
	4430851	1	1 GOVERNOR ASSY., overspeed (Refer to Page 214 f/Components) (1800 RPM) (4430850) (4339335)	

CRANKING LIMIT - OVERSPEED GOVERNOR - DRIVE (CONTINUED)

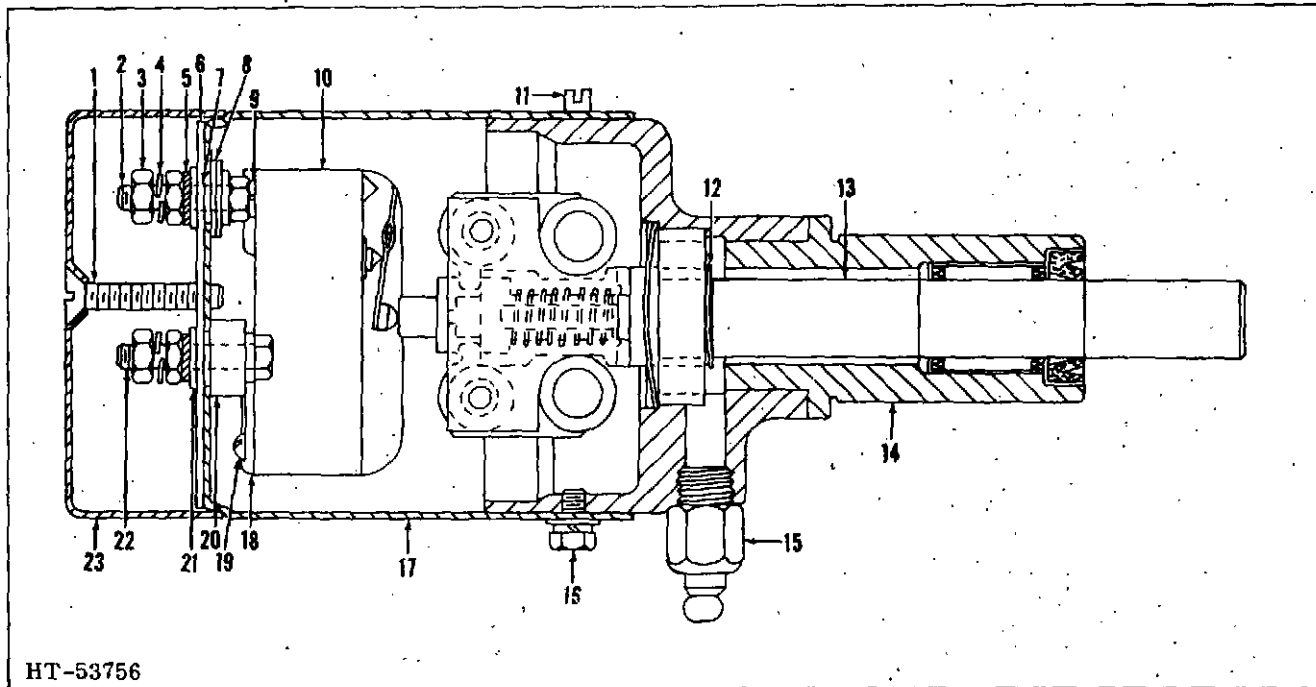
10000 & 11000

Power Unit & Diesel Electric Set

* w/Tachometer Drive - (4430856) (4430850) (4430819) (4430821) (4430817)

** w/o Tachometer Drive - (4339334) (4339335)

ITEM	PART NUMBER	QTY * **	DESCRIPTION	PACKAGE NO.
4A	4430857	1 1	GOVERNOR ASSY., overspeed (Refer to Page 214 f/Components) (1500 RPM) (4430856) (4339334)	
5	4335712	1 -	GASKET, drive housing	
6	4430876	1 -	GEAR, governor drive	
	921272	1 -	PIN, 3/16" x 1-3/4"	
7	4253766	1 -	RING, snap	
8	4339249	1 -	BEARING	
	4430580	1 -	ADAPTOR	
9	4354389	1 -	HOUSING, drive	
NOTE: Items 10 thru 13 are Not Illustrated.				
10	4441258	1 1	GROMMET, in governor cap	
11	4371118	1 -	CAP, tachometer drive	
12	4367090	1 -	GASKET, tachometer cap	
13	4430936	1 -	WIRE, jumper (No. 1) (4430819) (4430821)	



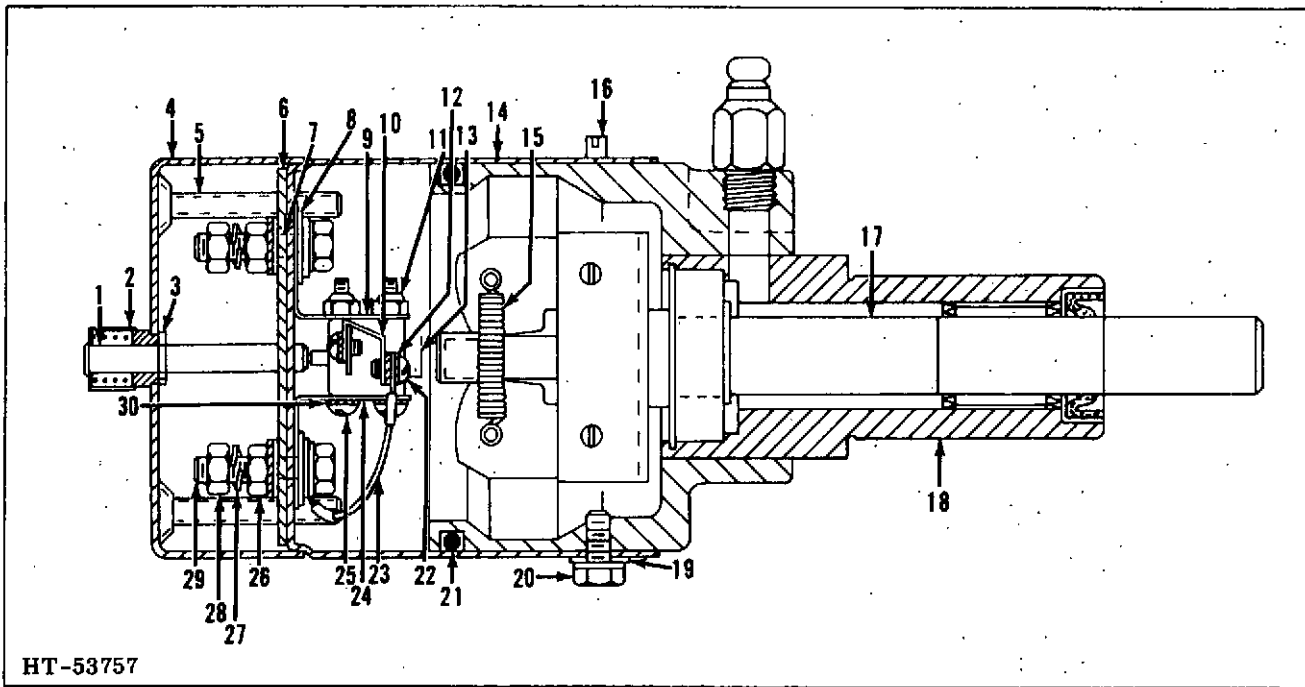
CRANKING LIMIT GOVERNOR ASSEMBLY - 4430818
 10000 & 11000
 Diesel Electric Set

USAGE: See Page 210

ITEM	PART NUMBER	QTY.	DESCRIPTION.	PACKAGE NO.
1	4042262	2	SCREW, #8 NC x 1-1/4"	
2	4041837	1	STUD, switch support	
3	4042248	6	NUT, #8 NC	
4	4042249	4	LOCKWASHER, #8	
5	4042259	3	LOCKWASHER, external tooth, #8	
6	4052606	1	WASHER, insulating	
7	4049862	1	BUSHING, fiber	
8	4042251	2	WASHER, fiber	
9	4051448	1	LOCKWASHER, #3	
10	4049873	1	SWITCH	
11	4041840	2	STUD, adjusting	
12	4058893	1	RING, retaining	
13	4048894	1	SHAFT ASSY., governor	
14	4058892	1	BODY ASSY., governor	
15	4056597	1	FITTING, grease	
16	4042247	1	SCREW, #8 NC x 1/4"	

CRANKING LIMIT GOVERNOR ASSEMBLY - 4430818 (CONTINUED)
10000 & 11000
Diesel Electric Set

ITEM	PART NUMBER	QTY.	DESCRIPTION	PACKAGE NO.
17	4052609	1	CAP, governor.	
18	4041835	2	LUG, switch mounting	
19	4051445	2	SCREW, #3 NC x 5/32"	
20	4041834	2	SPACER, switch	
21	4042550	5	WASHER, #8	
22	4052160	2	SCREW, #8 NC x 7/8"	
23	4052611	1	COVER, governor	



HT-53757

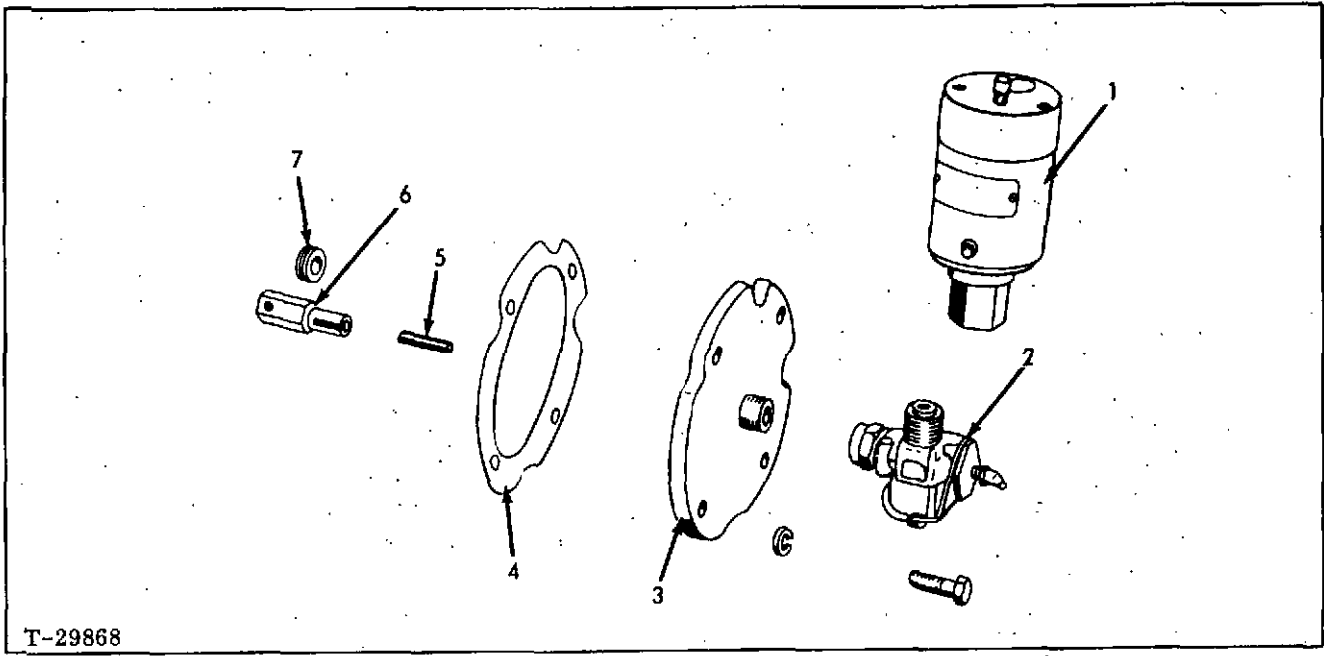
OVERSPEED GOVERNOR ASSEMBLIES - 4430851 & 4430857
 10000 & 11000
 Power Unit

USAGE: See Page 210 & 211

ITEM	PART NUMBER	QTY.	DESCRIPTION	PACKAGE NO.
1	4051175	1	STUD ASSY., reset	
2	4049866	1	SPRING, reset stud	
3	4049867	1	RING, retaining	
4	4055354	1	COVER, dust	
5	4042262	2	SCREW, #8 NC x 1-1/4"	
6	4058943	1	WASHER, insulating	
7	4049862	5	BUSHING, insulating	
8	4042251	3	WASHER, insulating	
9	4055353	1	BRACKET, switch	
10	4055798	1	LUG, jumper	
11	4056326	2	NUT, #3 NC	
12	4055800	7	WASHER, star, #4	
13	4053351	1	SWITCH	
14	4053343	1	CAP, governor	
15	4050814	2	SPRING, extension (Blue - f/4430851)	
	4050389	2	SPRING, extension (Orange - f/4430857)	

OVERSPEED GOVERNOR ASSEMBLIES - 4430851 & 4430857 (CONTINUED)
 10000 & 11000
 Power Unit

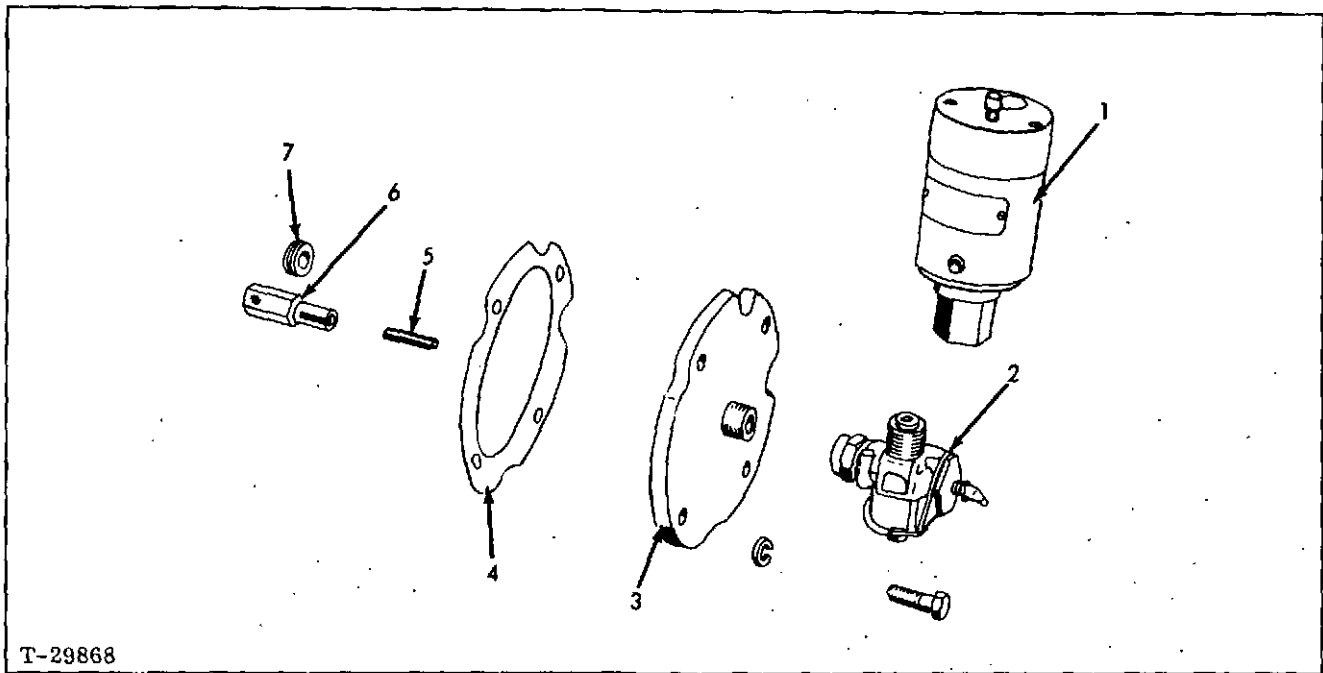
ITEM	PART NUMBER	QTY.	DESCRIPTION	PACKAGE NO.
16	4041840	2	STUD, adjusting	
17	4058945	1	ROTOR ASSY., governor	
18	4058944	1	BODY ASSY., governor	
19	4042250	7	WASHER, #8	
20	4042247	1	SCREW, #8 NC x 3/8"	
21	4052163	1	O-RING	
22	4056324	4	SCREW, #4 NC x 3/16"	
23	4055352	3	LEAD ASSY., wire	
24	4055349	1	BRACKET, switch	
25	4056325	2	SCREW, #3 NC x 13/16"	
26	4055351	3	NUT, Kep, #8 NC	
27	4042249	4	LOCKWASHER, #8	
28	4042248	3	NUT, #8 NC	
29	4053346	3	SCREW, #8 NC x 3/4"	
30	4051448	2	LOCKWASHER, #3	



T-29868

OVERSPEED GOVERNOR
 10000 & 11000
 Power Unit

ITEM	PART NUMBER	QTY.	DESCRIPTION	PACKAGE NO.
1	4335817	1	GOVERNOR ASSY., overspeed (1200 RPM) (4337441)	(4337440)
	4335818	1	GOVERNOR ASSY., overspeed (1400 RPM) (4337442)	
	4335819	1	GOVERNOR ASSY., overspeed (1500 RPM) (4337443)	
	4335840	1	GOVERNOR ASSY., overspeed (1600 RPM) (4337444)	
	4335841	1	GOVERNOR ASSY., overspeed (1800 RPM) (4337445)	
NOTE: Refer to Page 225 for Component Parts of above Governors.				
2	4335856	1	ADAPTOR, overspeed governor	(4337440)
3	4335814	1	COVER, overspeed governor drive	
	903775	4	CAPSCREW, 3/8" NC x 7/8"	
	904206	4	LOCKWASHER, 3/8"	
4	4349011	1	GASKET, cover	
5	4335857	1	KEY, drive	
6	4337473	1	COUPLING, overspeed governor drive	
	905759	1	SETSCREW, 1/4" x 1/4"	
7	4441258	1	GROMMET	
8	4337600	1	WASHER, coupling (Not Illustrated)	



T-29868

OVERSPEED & CRANKING LIMIT GOVERNORS
 10000 & 11000
 Diesel Electric Set
 * (4430760) (4430761)
 ** (4430762)
 *** (4430763) (4430764)

ITEM	PART NUMBER	QTY.			DESCRIPTION	PACKAGE NO.
		*	**	***		
1	4335819	1	-	-	GOVERNOR ASSY., overspeed (1500 RPM) (See Page 225 for Component Parts) (4430761)	
	4335841	1	-	-	GOVERNOR ASSY., overspeed (1800 RPM) (See Page 225 for Component Parts) (4430760)	
	4430537	-	1	-	GOVERNOR ASSY., cranking limit (See Page 223 for Component Parts) (4430762)	
	4430587	-	-	1	GOVERNOR ASSY., overspeed & cranking limit (1500 RPM) (See Page 219 for Component Parts) (4430764)	
	4430586	-	-	1	GOVERNOR ASSY., overspeed & cranking limit (1800 RPM) (See Page 219 for Component Parts) (4430763)	
2	4335856	1	1	1	ADAPTOR	
3	4335814	1	1	1	COVER, governor drive	
	903775	4	4	4	CAPSCREW, 3/8" NC x 7/8"	
	904206	4	4	4	LOCKWASHER, 3/8"	
4	4349011	1	1	1	GASKET, cover	
5	4335857	1	1	1	KEY, drive	
6	4337473	1	1	1	COUPLING, governor drive	
	905759	1	1	1	SETSCREW, 1/4" x 1/4"	
	4337600	1	1	1	WASHER	
7	4441258	1	1	1	GROMMET	

Continued

OVERSPEED & CRANKING LIMIT GOVERNORS (CONTINUED)

10000 & 11000

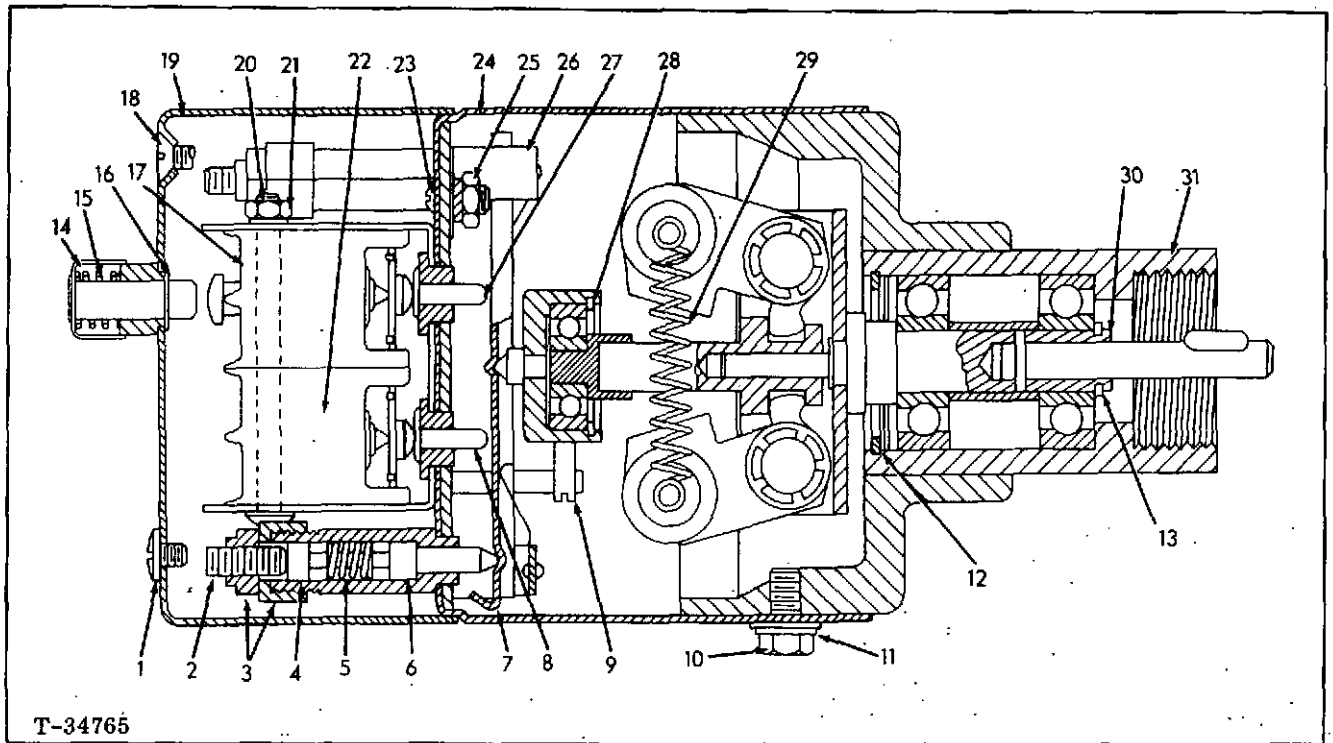
Diesel Electric Set

* (4430760) (4430761)

** (4430762)

*** (4430763) (4430764)

ITEM	PART NUMBER	QTY.			DESCRIPTION	PACKAGE NO.
		*	**	***		
8	4430698	1	-	1	WIRE ASSY., No. 8	(Not Illustrated)
	4430704	1	-	1	WIRE ASSY., No. 14	
	4430725	1	-	1	WIRE ASSY., No. 35	
	4430693	-	1	1	WIRE ASSY., No. 3	
	4430697	-	1	1	WIRE ASSY., No. 7	
	4430699	-	1	1	WIRE ASSY., No. 9	
9	4445472	1	1	1	TUBE, plastic (Not Illustrated)	



OVERSPEED & CRANKING LIMIT GOVERNOR ASSEMBLIES - 4430586 & 4430587
 10000 & 11000
 Diesel Electric Set

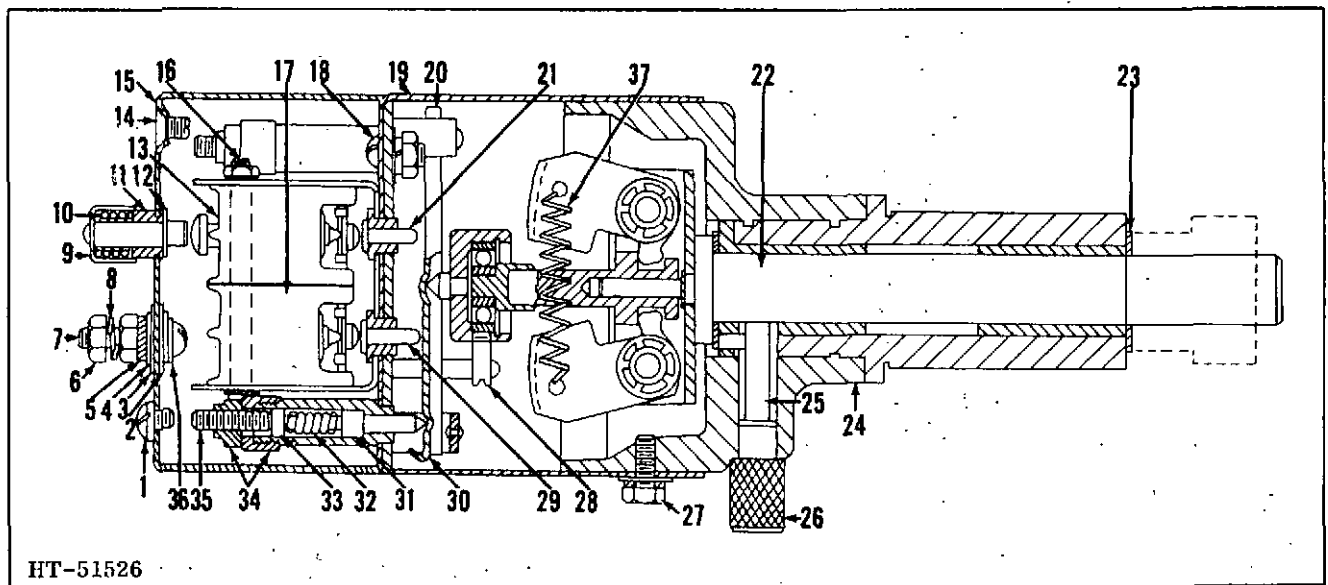
USAGE: See Page 217

ITEM	PART NUMBER	QTY.	DESCRIPTION	PACKAGE NO.
1	4052241	2	SCREW, rd. hd.	
2	4049892	2	SCREW, set	
3	4049793	2	NUT ASSY.	
4	4049891	2	CAP, spring	
5	4049890	1	SPRING, compression (No. 1)	
	4052016	1	SPRING, compression (No. 2)	
6	4049889	2	PIN, spring	
7	4049888	1	LEVER, channel	
8	4049886	1	SWITCH, lifter	
9	4049885	1	PIN, bearing stop	
10	4042247	3	SCREW, hex.	
11	4042249	1	LOCKWASHER, split	
12	4042255	1	RING, retaining	
13	4042256	1	RING, bearing retaining	
14	4051175	1	RESET ASSY.	

Continued

OVERSPEED & CRANKING LIMIT GOVERNOR ASSEMBLIES - 4430586 & 4430587 (CONTINUED)
 10000 & 11000
 Diesel Electric Set

ITEM	PART NUMBER	QTY.	DESCRIPTION	PACKAGE NO.
15	4049866	1	SPRING, reset	
16	4049867	1	RING, snap	
17	4041836	1	SWITCH, micro (manual)	
18	4049868	2	SCREW, flat head	
19	4052014	1	COVER ASSY., governor (Incl. RESET BUSHING)	
20	4052245	2	SCREW, rd. hd. mach.	
21	4052246	2	NUT	
22	4049873	1	SWITCH, micro	
23	4049880	2	SCREW, rd. hd. mach.	
24	4049789	1	CAP ASSY., governor	
25	4052247	2	NUT	
26	4049790	2	BRACKET, channel lever	
27	4049882	1	SWITCH, lifter, No. 2	
28	4049883	1	RING, snap	
29	4053489	2	SPRING, extension (4430586 Assy. only)	
30	4054107	1	WEIGHT & SHAFT ASSY.	
31	4053058	1	BODY, governor	



HT-51526
 OVERSPEED & CRANKING LIMIT GOVERNOR ASSEMBLIES - 4430820 & 4430822
 10000 & 11000
 Diesel Electric Set

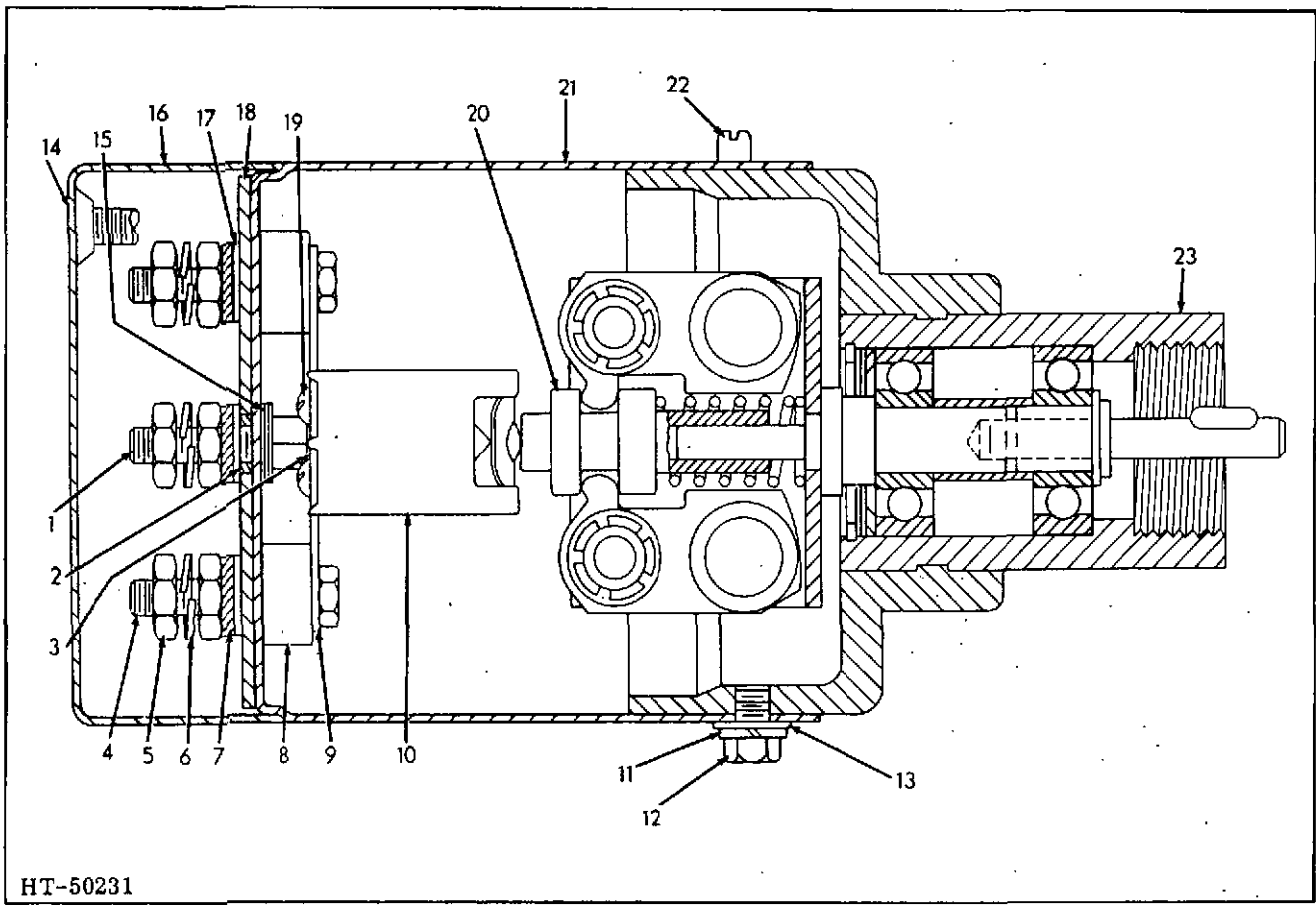
USAGE: See Page 210

ITEM	PART NUMBER	QTY.	DESCRIPTION	PACKAGE NO.
1	4049861	2	SCREW, fillister head	
2	4049862	1	BUSHING, insulator	
3	4042251	2	WASHER, insulator	
4	4042250	5	WASHER, plain	
5	4042259	1	LOCKWASHER, star	
6	4042248	2	NUT	
7	4049863	1	SCREW	
8	4042249	4	LOCKWASHER	
9	4049788	1	BUTTON ASSY., reset	
10	4049866	1	SPRING, reset	
11	4049794	1	BUSHING, reset	
12	4049867	1	RING, retaining	
13	4041836	1	SWITCH, micro (manual)	
14	4049868	2	SCREW, fillister head	
15	4049869	1	COVER, governor	
16	4049871	2	SCREW, round head	
17	4049873	1	SWITCH, micro	
18	4049880	1	SCREW, round head	

Continued

OVERSPEED & CRANKING LIMIT GOVERNOR ASSEMBLIES - 4430820 & 4430822 (CONTINUED)
 10000 & 11000
 Diesel Electric Set

ITEM	PART NUMBER	QTY.	DESCRIPTION	PACKAGE NO.
19	4049789	2	CAP ASSY., governor	
20	4049790	2	SPRING & BRACKET ASSY.	
21	4049882	1	SWITCH, lifter No. 2	
22	4049791	1	SHAFT ASSY., governor	
23	4049883	1	RING, snap	
24	4049792	1	BODY ASSY., governor (Incl. BEARING)	
25	4049502	1	WICK, oil	
26	4049501	1	CUP, oil	
27	4042247	3	SCREW, hex. head	
28	4049885	1	PIN, bearing stop	
29	4049886	1	SWITCH, lifter No. 1	
30	4049888	1	LEVER, channel	
31	4049889	2	PIN, spring	
32	4049890	1	SPRING, compression (low speed)	
	4051452	1	SPRING, compression (high speed)	
33	4049891	2	CAP, spring	
34	4049793	2	NUT ASSY., adjustable post	
35	4049892	2	SETSCREW	
36	4049893	1	TERMINAL	
37	4049884	1	SPRING, governor control (4430820 Assy.)	
	4056596	1	SPRING, governor control (4430822 Assy.)	



CRANKING LIMIT GOVERNOR ASSEMBLY - 4430537
 10000 & 11000
 Diesel Electric Set

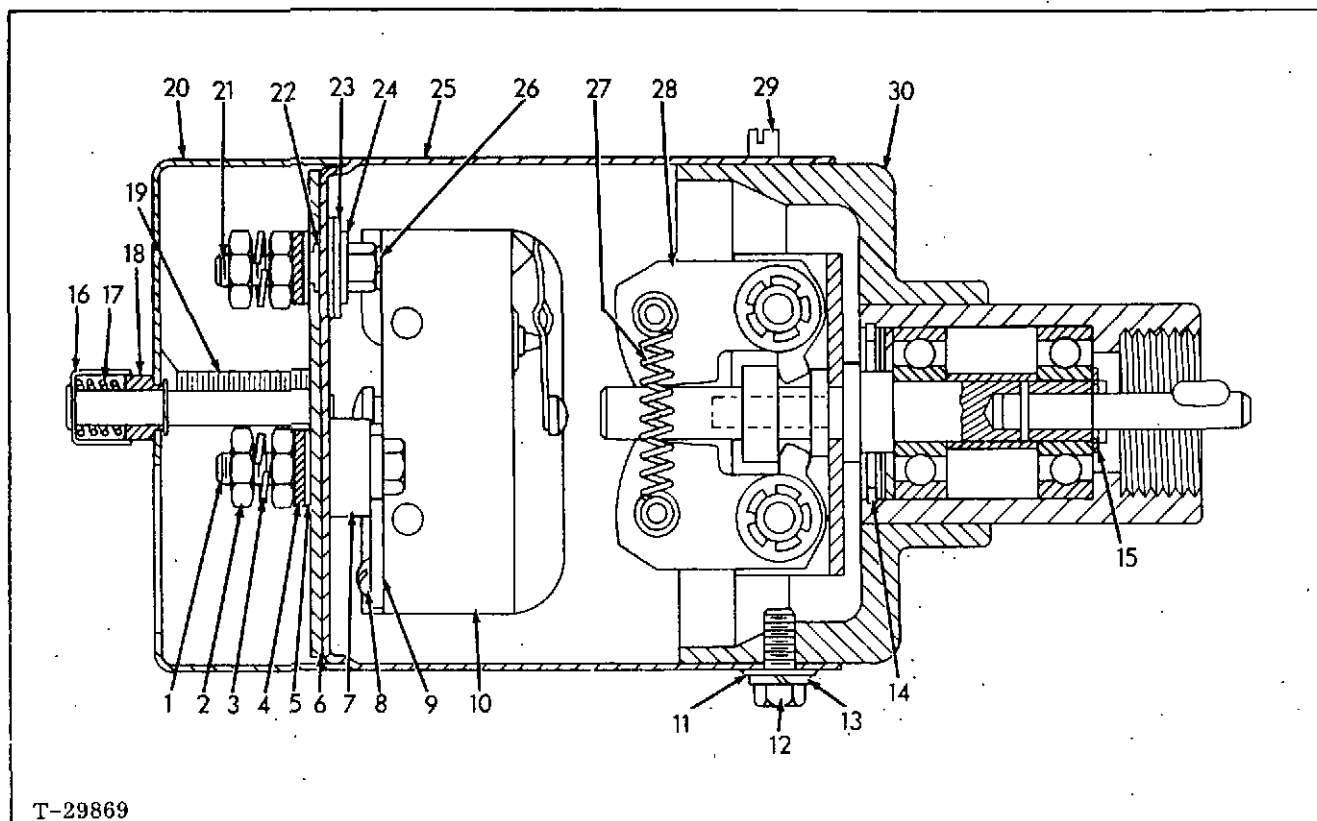
USAGE: See Page 217

ITEM	PART NUMBER	QTY.	DESCRIPTION	PACKAGE NO.
1	4041837	1	STUD, switch support	
2	4049862	3	BUSHING, terminal	
3	4051448	1	LOCKWASHER, split	
4	4042253	2	SCREW, hex. hd.	
5	4042248	6	NUT	
6	4042249	3	LOCKWASHER, split	
7	4042259	3	LOCKWASHER, star	
8	4041834	2	SPACER, switch	
9	4041835	2	LUG, switch mounting	
10	4049873	1	SWITCH	
11	4042249	1	LOCKWASHER, split	
12	4052610	1	SCREW	

Continued

CRANKING LIMIT GOVERNOR ASSEMBLY - 4430537 (CONTINUED)
10000 & 11000
Diesel Electric Set

ITEM	PART NUMBER	QTY.	DESCRIPTION	PACKAGE NO.
13	4042250	1	WASHER, plain	
14	4042262	2	SCREW, fil. hd.	
15	4042251	2	WASHER, insulating	
16	4052611	1	COVER, governor	
17	4042250	4	WASHER, plain	
18	4052606	1	WASHER, insulating (f/CAP)	
19	4051445	2	SCREW	
20	4053846	1	SHAFT ASSY., (Incl. WEIGHTS & SPRINGS)	
21	4052609	1	CAP, body	
22	4041840	2	STUD, adjusting	
23	4053847	1	BODY, governor	



OVERSPEED GOVERNOR ASSEMBLIES - 4335817, 4335818, 4335819, 4335840 & 4335841
 10000 & 11000
 Power Unit & Diesel Electric Set

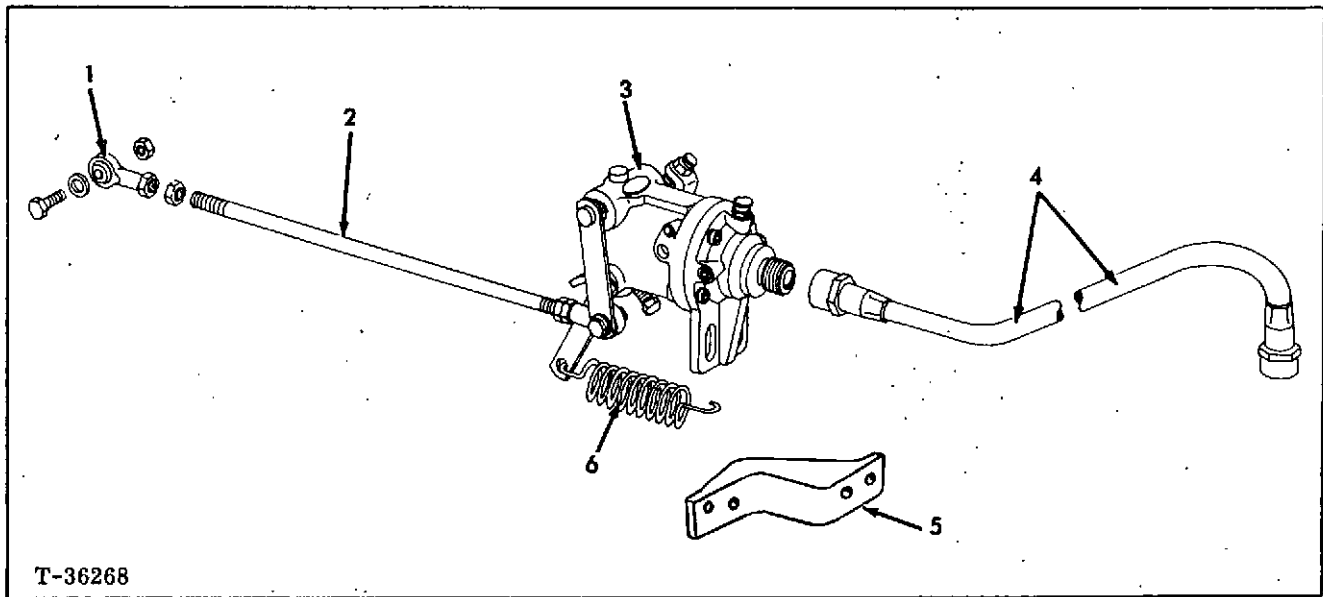
USAGE: See Page 216

ITEM	PART NUMBER	QTY.	DESCRIPTION	PACKAGE NO.
1	4042253	2	SCREW	
2	4042248	6	NUT	
3	4042249	3	LOCKWASHER, split	
4	4042259	3	WASHER, star, external tooth	
5	4042250	3	WASHER, plain	
6	4051177	1	WASHER, insulating	
7	4041834	2	SPACER, switch	
8	4051445	2	SCREW	
9	4041835	2	LUG, mounting	
10	4041836	1	SWITCH	
11	4042250	1	WASHER, plain	
12	4042247	1	SCREW	
13	4042249	1	LOCKWASHER, split	

Continued

OVERSPEED GOVERNOR ASSEMBLIES - 4335817, 4335818, 4335819, 4335840 & 4335841 (CONTINUED)
 10000 & 11000
 Power Unit & Diesel Electric Set

ITEM	PART NUMBER	QTY.	DESCRIPTION	PACKAGE NO.
14	4042255	1	RING ASSY., retaining	
15	4042256	1	RING, retaining, bearing	
16	4051175	1	STUD ASSY.	
17	4049866	1	SPRING, reset	
18	4049867	1	RING, retaining	
19	4042262	2	SCREW	
20	4051176	1	COVER ASSY.	
21	4041837	1	STUD, support, switch	
22	4049862	3	BUSHING, terminal	
23	4042251	2	WASHER, insulating	
24	4042250	1	WASHER, plain	
25	4051444	1	CAP, body	
26	4051448	1	LOCKWASHER, split	
27	4050383	1	SPRING, extension (4335817 Governor)	
	4050385	1	SPRING, extension (4335818 - 4335819 - 4335840 Governor)	
	4050387	1	SPRING, extension (4335841 Governor)	
28	4053543	1	WEIGHT & SHAFT ASSY.	
29	4041840	2	STUD, adjusting	
30	4053058	1	BODY, governor	



T-36268

TAILSHAFT GOVERNOR

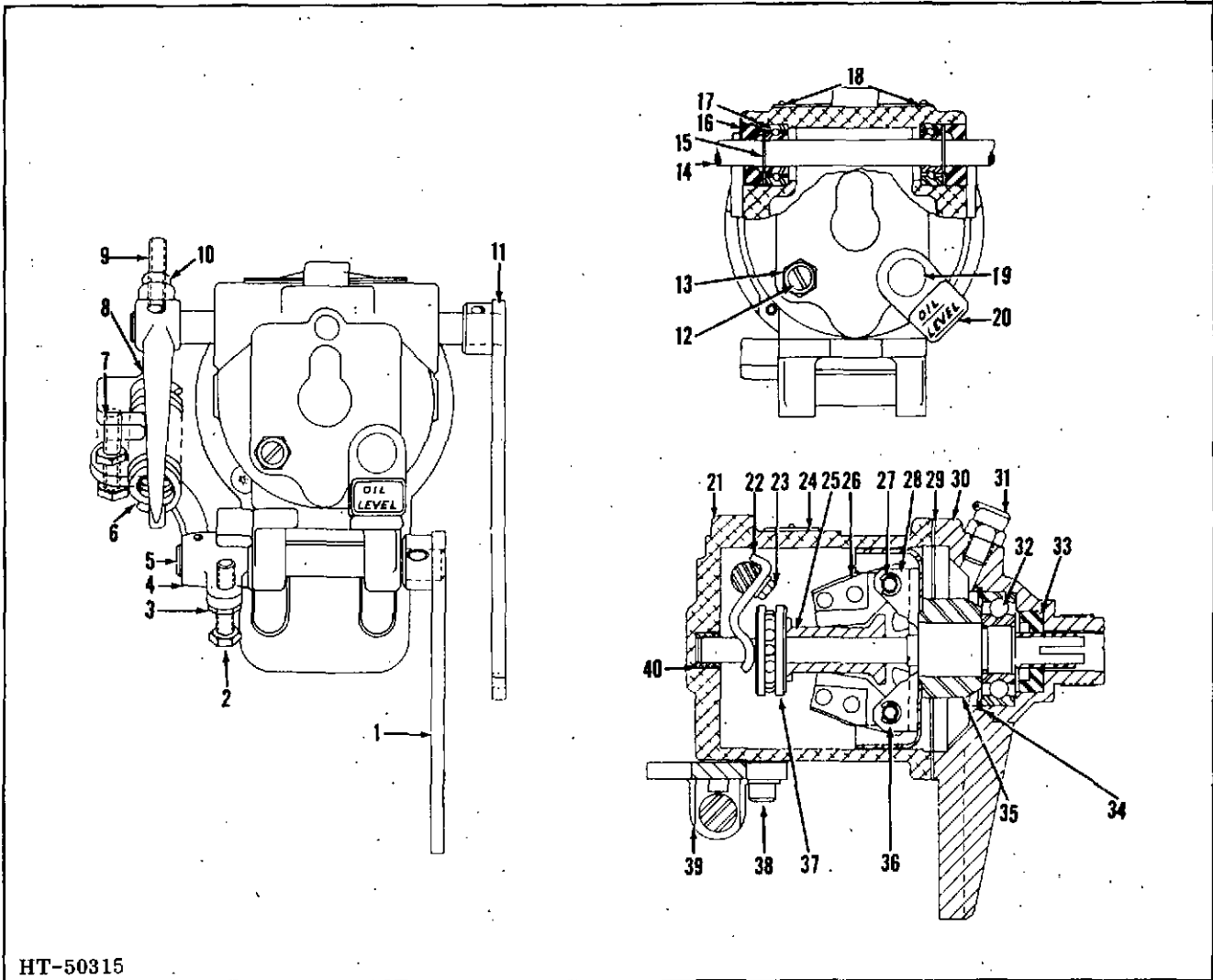
11000

Power Unit

* (4336989)

** (4339271)

ITEM	PART NUMBER	QTY.		DESCRIPTION	PACKAGE NO.
		*	**		
1	4366087	2	-	BEARING, control rod	
	4255598	-	2	BEARING, control rod	
	911048	2	2	NUT, jam, 3/8" NC	
	916285	1	1	CAPSCREW, 1/4" NC x 1"	
	916282	1	1	CAPSCREW, 1/4" NC x 7/8"	
	911114	2	2	WASHER, flat, 1/4"	
	904204	2	2	LOCKWASHER, 1/4"	
	910880	1	1	NUT, 1/4" NC	
2	4336598	1	-	ROD, control	
	4354444	-	1	ROD, control	
3	4339572	1	1	GOVERNOR ASSY., tailshaft (See page 228 f/parts)	
	916272	2	2	CAPSCREW, 3/8" NC x 1-1/4"	
	904206	2	2	LOCKWASHER, 3/8"	
	900817	2	2	WASHER, 3/8"	
	919324	2	2	NUT, 3/8" NC	
	4	4337403	1	1	SHAFT, flexible drive, 25" (4337403) (Prior to Serial No. 11-10201 f/catalog number 4338100)
4338100		1	1	SHAFT, flexible drive, 25" (Effective w/Serial No. 11-10201 f/catalog number 4338100)	
4338099		1	1	SHAFT, flexible drive, 32" (4337402) (4338099)	
5	4336632	1	1	BRACKET, governor mounting	
	916271	2	2	CAPSCREW, 3/8" NC x 1"	
	904206	2	2	LOCKWASHER, 3/8"	
6	4316073	1	1	SPRING, idle, governor	



HT-50315

TAILSHAFT GOVERNOR ASSEMBLY - 4339572
11000
Power Unit

USAGE: See Page 227

ITEM	PART NUMBER	QTY.	DESCRIPTION	PACKAGE NO.
1	4052718	1	LEVER ASSY., speed change	
	4050428	1	PIN, roll, lever to shaft	
2	4052734	2	SCREW, adjusting, hex. hd.	
3	4052733	2	NUT, jam, adjusting screw	
4	4053282	1	LEVER, speed change	
	4050428	1	PIN, roll, lever	
5	4052725	1	SHAFT, speed change	
6	4045863	1	SPRING, governor	
7	921055	1	SCREW, adjusting, positive idle, 1/4" NC x 2"	
	920435	1	NUT, jam, 1/4" NC	

TAILSHAFT GOVERNOR ASSEMBLY - 4339572 (CONTINUED)

11000

Power Unit

ITEM	PART NUMBER	QTY.	DESCRIPTION	PACKAGE NO.
8	4053281	1	LEVER, spring	
	4050428	1	PIN, roll, lever retaining	
9	4052724	1	EYE, adjusting screw	
10	4055401	2	NUT, jam	
11	4052719	1	LEVER, throttle	
	4050428	1	PIN, roll, lever retaining	
12	4614092	1	SPRING, bumper	
	4052721	1	SCREW, bumper	
13	920437	1	NUT, bumper screw, hex., 1/4" NF	
14	4052731	1	SHAFT, rocker	
15	4253653	2	RING, snap, external	
16	4050277	2	SEAL KIT, oil, shaft (Incl. RETAINER) (Serviced as a unit)	
17	4507158	2	BEARING, ball, shaft	
18	4041789	2	PIN, escutcheon	
19	4052738	1	OILER, oil check	
20	4049931	1	TAG, oil level, governor	
21	4052726	1	BODY, governor	
22	4511892	1	YOKE, governor	
23	4041829	2	FASTENER, sems	
24	4041957	1	PLATE, name	
25	4052729	1	SLEEVE, thrust	
26	4512412	4	WEIGHT, governor	
27	4052732	4	PIN, weight	
28	4055396	1	SPIDER & SHAFT ASSY.	
29	4049917	1	GASKET, body	
30	4056180	1	FLANGE, governor (Also order Item 34 f/Engines Prior to Serial No. 11-10158)	
	4052737	4	SCREW, retaining, socket hd.	
31	4049403	1	CUP, oil	
32	4253860	1	BEARING, ball	
33	4052735	1	SEAL, oil	
34	4056309	1	RING, snap, internal (Effective w/Serial No. 11-10158)	
35	4055325	1	CUP STOP & HUB ASSY.	

Continued

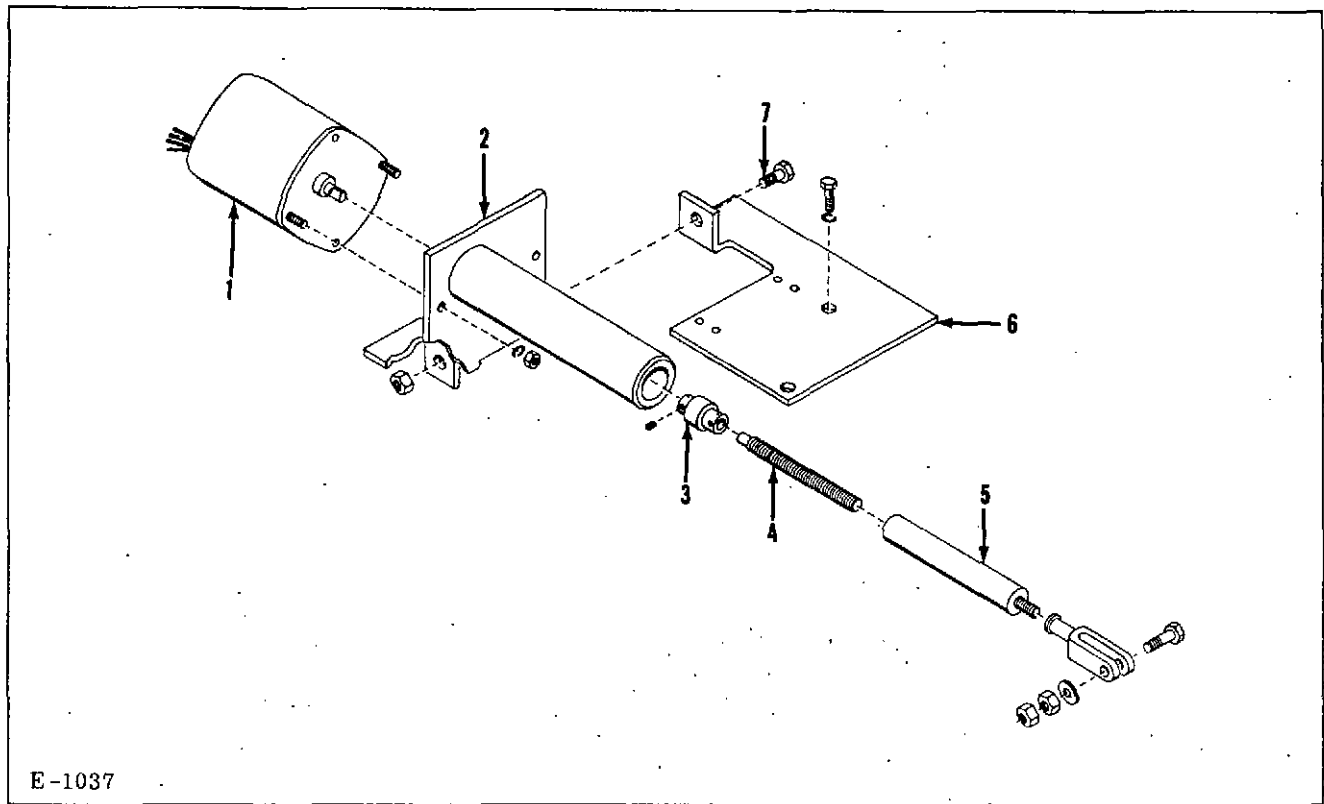
229

TAILSHAFT GOVERNOR ASSEMBLY - 4339572 (CONTINUED)

11000

Power Unit

ITEM	PART NUMBER	QTY.	DESCRIPTION	PACKAGE NO.
36	4052739	4	E-RING, retaining	
37	4052736	1	BEARING, thrust	
38	912261	2	SCREW, bracket retaining, 1/4" NC x 3/4"	
	904204	2	LOCKWASHER, 1/4"	
39	4052728	1	BRACKET, governor	
40	4049913	1	BUSHING, shaft	



E-1037

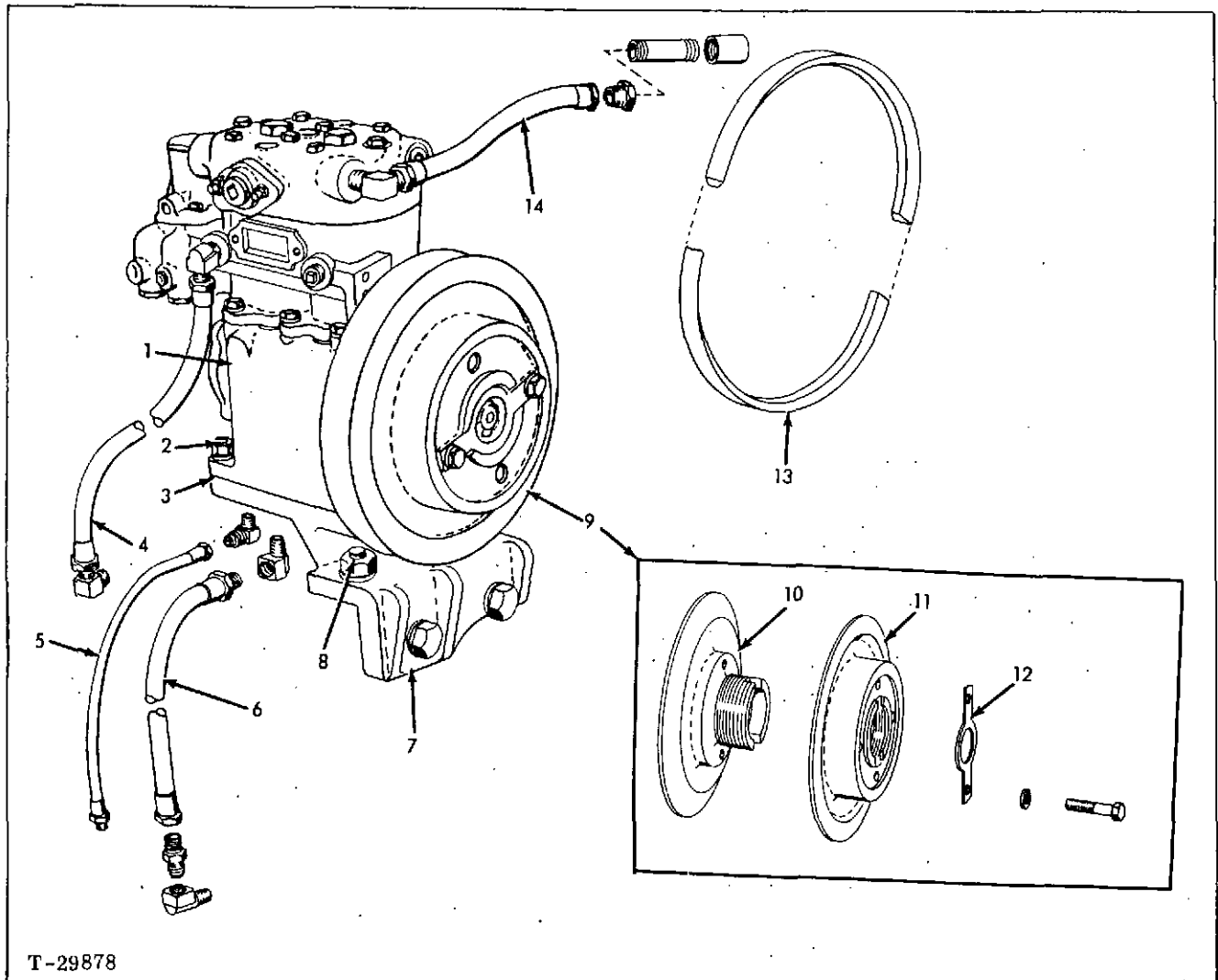
SPEED CONTROL.
(4430284)

ITEM	PART NUMBER	QTY.	DESCRIPTION	PACKAGE NO.
1	4431513	1	MOTOR, speed control	
	917395	2	LOCKWASHER, #8	
	917385	2	NUT, #8 NC	
2	4431087	1	BRACKET ASSY., motor mounting (Incl. BUSHINGS)	
3	4431514	1	COUPLING, slip clutch (Incl. SETSCREW)	
4	4431515	1	SCREW, drive, coupling	
5	4431516	1	DRIVE, throttle	
	916964	1	LOCKWASHER, 1/4"	
	917662	1	YOKE, 1/4"	
	919316	1	CAPSCREW, 1/4" NC x 1-3/4"	
	917377	1	WASHER, plain, 1/4"	
	916622	2	NUT, 1/4" NC	
6	4431606	1	BRACKET, throttle control	
	916269	2	CAPSCREW, 3/8" NC x 7/8"	
	904206	2	LOCKWASHER, 3/8"	
7	4055326	1	SCREW, shoulder, bracket to bracket	
	922323	1	NUT, 1/4" NF (Flexloc)	
8	4431563	1	BLOCK, terminal	} (Not Illustrated)
	917443	4	SCREW, #8 NC x 3/4"	
	917395	4	LOCKWASHER, #8	
	917385	4	NUT, #8 XC	
9	4431565	1	COVER, terminal block	

Continued

SPEED CONTROL (CONTINUED)
(4430284)

ITEM	PART NUMBER	QTY.	DESCRIPTION	PACKAGE NO.
10	4408653	4	LUG, terminal	
11	4430285	1	HARNESS, wiring	
12	4430286	1	SWITCH, speed adjusting	
13	4430287	1	CAPACITOR	(Not Illustrated)
	917800	1	PLUG, button, 13/16"	
14	4430289	1	PLATE, switch	
15	4051410	1	LEVER ASSY., throttle (on pump)	



T-29878

COMPRESSOR
10000 & 11000
Power Unit

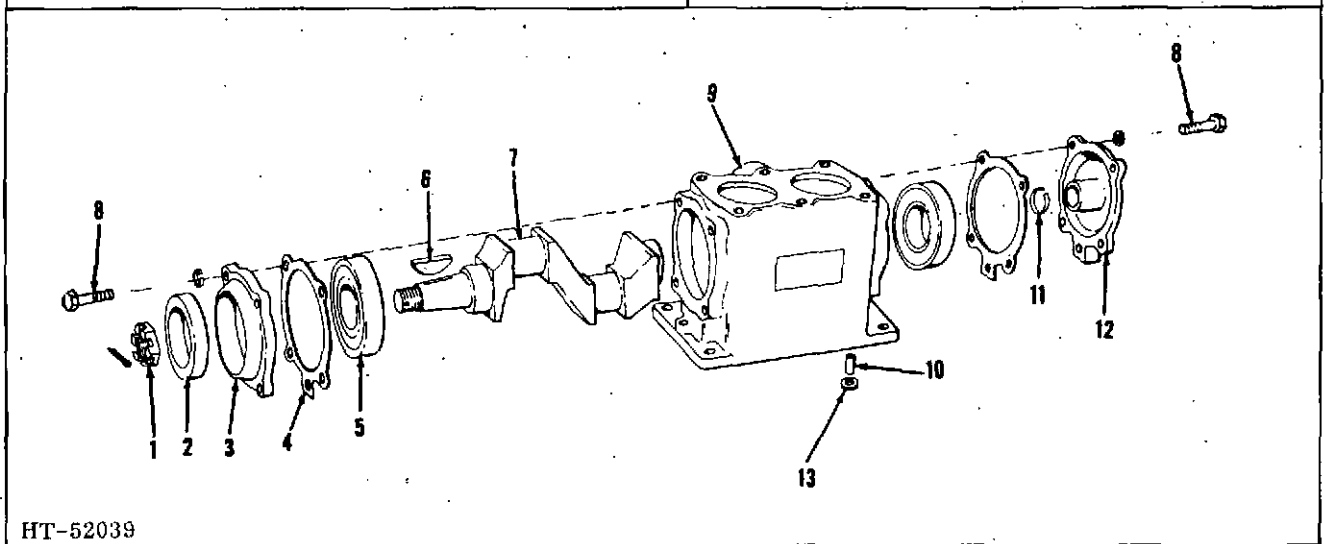
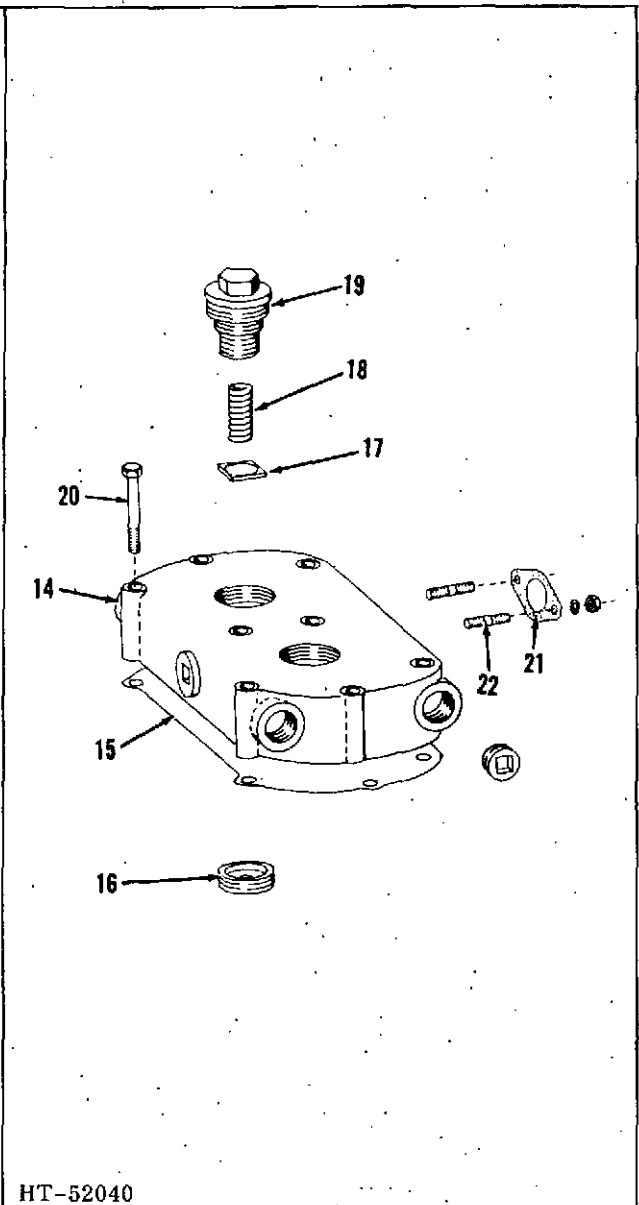
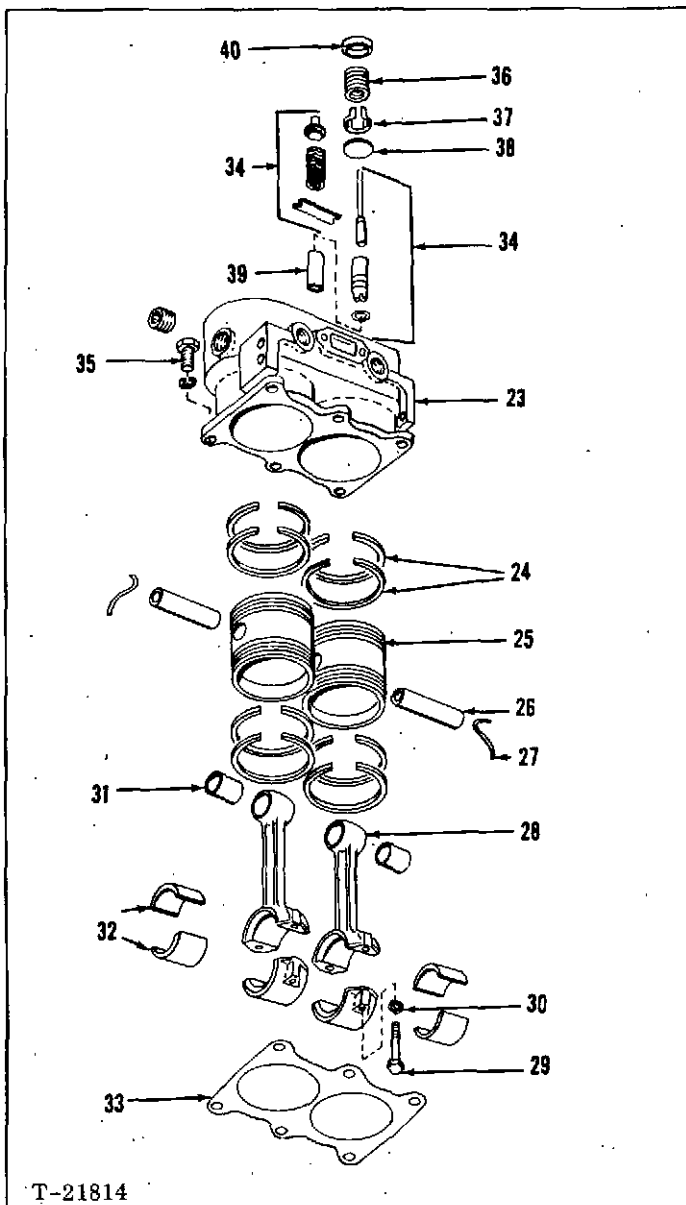
ITEM	PART NUMBER	QTY.	DESCRIPTION	PACKAGE NO.
1	4347992	1	COMPRESSOR ASSY., air (Model TU-FLO 400, 7-1/4" cu. ft.) (Incl. 4040311 GOVERNOR) (See Pages 236 & 239 for Components) (4336904) (Prior to Serial No. 10-12007 & 11-10477)	
	4339482	1	COMPRESSOR ASSY., air (Model TU-FLO 400, 7-1/4" cu. ft.) (Incl. 4051039 GOVERNOR) (See Pages 239 thru 248 for Components) (4336904) (Effective w/Serial No. 10-12007 & 11-10477)	
	4349597	1	COMPRESSOR ASSY., air (Model TU-FLO 500, 12 cu. ft.) (Incl. 4051039 GOVERNOR) (See Pages 250 thru 252 for Components) (4336906) (Prior to Serial No. 10-11689 & 11-10240)	
	4339480	1	COMPRESSOR ASSY., air (Model TU-FLO 500, 12 cu. ft.) (Incl. 4389283 GOVERNOR) (See Pages 261 thru 268 for Components) (4336906) (Effective w/Serial No. 10-11689 & 11-10240)	

Continued

COMPRESSOR (CONTINUED)
10000 & 11000
Power Unit

ITEM	PART NUMBER	QTY.	DESCRIPTION	PACKAGE NO.
2	4347855	4	STUD, compressor mounting	
	904207	4	LOCKWASHER, 7/16"	
	910986	4	NUT, hex., 7/16" NC	
3	4040305	1	GASKET, base flange (Part of Compressor Assy.)	
4	4368870	1	HOSE ASSY., water, volute to compressor	
	915389	1	ELBOW, street, 90°, 3/8" P.T.	
	911309	1	ELBOW, male, 90°, 3/8" P.T. x 1/2" O.D. tube	
5	4368846	1	HOSE ASSY., oil (Crankcase to Bracket)	
	910161	1	ELBOW, male, 90°, 1/8" P.T. x 1/4" O.D. tube	
6	4368870	1	HOSE ASSY., oil drain (Bracket to Gear Housing)	
	915389	1	ELBOW, street, 90°, 3/8" P.T.	
	910947	1	CONNECTOR, male, 3/8" P.T. x 1/2" O.D. tube	
	915399	1	ELBOW, street, 90°, 1/8" P.T.	
7	4347714	1	BRACKET, air compressor	
	915666	2	CAPSCREW, 1/2" NC x 1-3/8"	
	904208	2	LOCKWASHER, 1/2"	
8	4347722	2	STUD, bracket, mounting	
	904208	2	LOCKWASHER, 1/2"	
	910195	2	NUT, hex., 1/2" NC	
9	4347993	1	PULLEY ASSY., adjustable (Incl. Items 10 thru 12)	
10	4347994	1	PULLEY, stationary half	
11	4347681	1	PULLEY, adjustable half	
	910147	1	PIN, cotter, 3/32" x 1-1/8"	
12	4346724	1	PLATE, pulley locking	
	903634	2	CAPSCREW, 3/8" NC x 2"	
	904206	2	LOCKWASHER, 3/8"	
13	4338770	1	BELT, compressor drive	
14	4368867	1	HOSE ASSY., water (Compressor to Thermostat Housing)	
	904271	1	BUSHING, reducer, 1/2" x 3/8"	
	911309	1	ELBOW, male, 90°, 3/8" P.T. x 1/2" O.D. tube	
	917386	1	COUPLING, pipe, 3/8" P.T.	} (f/4349597 Compressor)
	918331	1	NIPPLE, 3/8" P.T. x 1-1/4" lg.	

MEMO



AIR COMPRESSOR ASSEMBLY - 4347992

AIR COMPRESSOR ASSEMBLY - 4347992
 (Model Tu-Flo 400, 7-1/4 Cu. Ft. Capacity)
 10000 & 11000
 Power Unit
 (Prior to Serial No. 10-12007 & 11-10477)

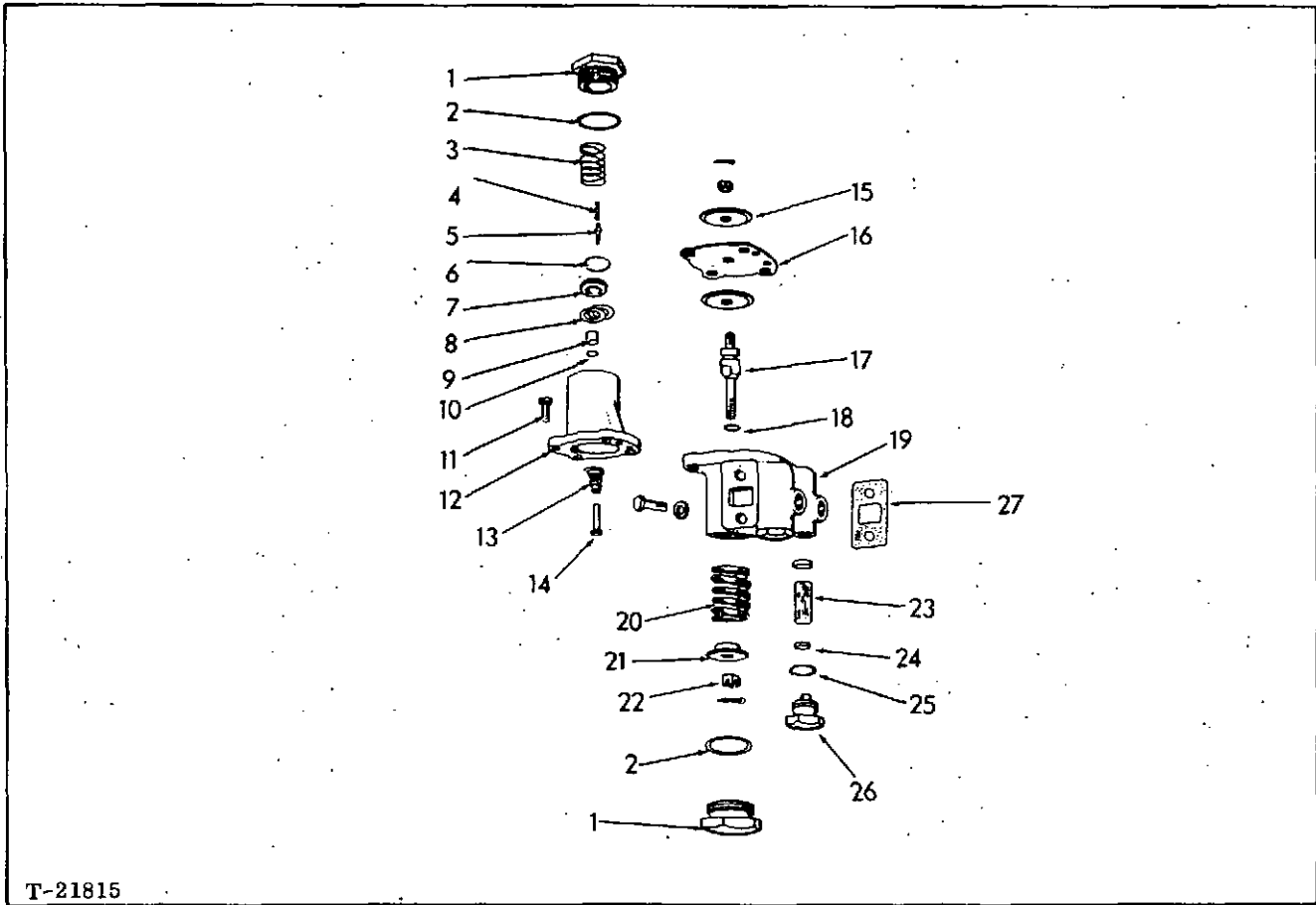
USAGE: See Page 233

ITEM	PART NUMBER	QTY.	DESCRIPTION	PACKAGE NO.
1	4040549	1	NUT, slotted hex., crankshaft	
	900970	1	PIN, cotter, 1/16" x 1/2"	
2	4040306	1	SEAL, oil	
3	4040515	1	COVER, front end	
4	4040514	2	GASKET, end cover	
5	4049259	2	BEARING, ball	
6	4040304	1	KEY, woodruff	
7	4040499	1	CRANKSHAFT	
8	4050464	8	CAPSCREW, end cover	
	904205	8	LOCKWASHER, 5/16"	
9	4053198	1	CRANKCASE ASSY., compressor (Incl. Item 10)	
10	4040493	1	TUBE, oil, crankcase	
11	4040299	1	RING, oil seal	
12	4040516	1	COVER, rear end	
	4040550	1	PLUG, pipe, socket hd. (Not Shown).	
13	4040539	1	GASKET, oil seal	
14	4049255	1	HEAD ASSY., cylinder (Incl. Item 16)	
	901653	3	PLUG, pipe, sq. hd., 3/8" P.T.	
15	4049264	1	GASKET, cylinder head	
16	4049256	2	SEAT, discharge valve	
17	4040522	2	VALVE, discharge	
18	4040303	2	SPRING, discharge valve	
19	4040523	2	CAPNUT, discharge valve	
20	4053197	8	CAPSCREW, cylinder head	
21	4040302	1	GASKET, cylinder head fitting	
22	4049265	2	STUD	
	904205	2	LOCKWASHER, 5/16"	
	910233	2	NUT, 5/16" NC	
23	4053195	1	BLOCK ASSY., compressor cylinder (Incl. PLUGS & Items 39 & 40)	
	901653	4	PLUG, pipe, sq. hd., 3/8" P.T.	
24	4049262	1	RING SET, piston (Incl. 8 Compressor Rings)	

Continued

AIR COMPRESSOR ASSEMBLY - 4347992 (CONTINUED)
 (Model Tu-Flo 400, 7-1/4 Cu. Ft. Capacity)
 10000 & 11000
 Power Unit
 (Prior to Serial No. 10-12007 & 11-10477)

ITEM	PART NUMBER	QTY.	DESCRIPTION	PACKAGE NO.
25	4053358	2	PISTON ASSY., (Incl. Item 26) (Aluminum)	
26	4049261	2	PIN, piston (Standard)	
	4054436	2	PIN, piston (.005" Oversize)	
27	4040340	2	WIRE, lock, piston	
28	4053355	2	ROD ASSY., connecting (Incl. CAP & Items 29 thru 31) (Aluminum)	
29	4053356	4	BOLT, connecting rod cap	
30	4053298	4	LOCKWASHER	
31	4054432	2	BUSHING, connecting rod	
32	4053357	4	BEARING, connecting rod	
33	4040494	1	GASKET, cylinder block	
34	4058898	1	UNLOADER VALVE KIT, (Incl. 1-SPRING SADDLE, 1-UNLOADER SPRING, 1-SPRING SEAT, 2-UNLOADER PLUNGERS, 2-UNLOADER PISTONS & 2-PLUNGER GUIDES - (Not Serviced Separately) & 1-4040341 GASKET	
35	4053193	6	CAPSCREW, cylinder block	
	904206	6	LOCKWASHER, 3/8"	
36	4040336	2	SPRING, inlet valve	
37	4052124	2	GUIDE, inlet valve	
38	4040335	2	VALVE, inlet	
39	4054439	1	BUSHING, unloader bore (.006" Oversize)	
40	4040330	2	SEAT, inlet valve (Not Illustrated)	
41	4053235	1	DRAIN COCK, (Not Illustrated)	



T-21815

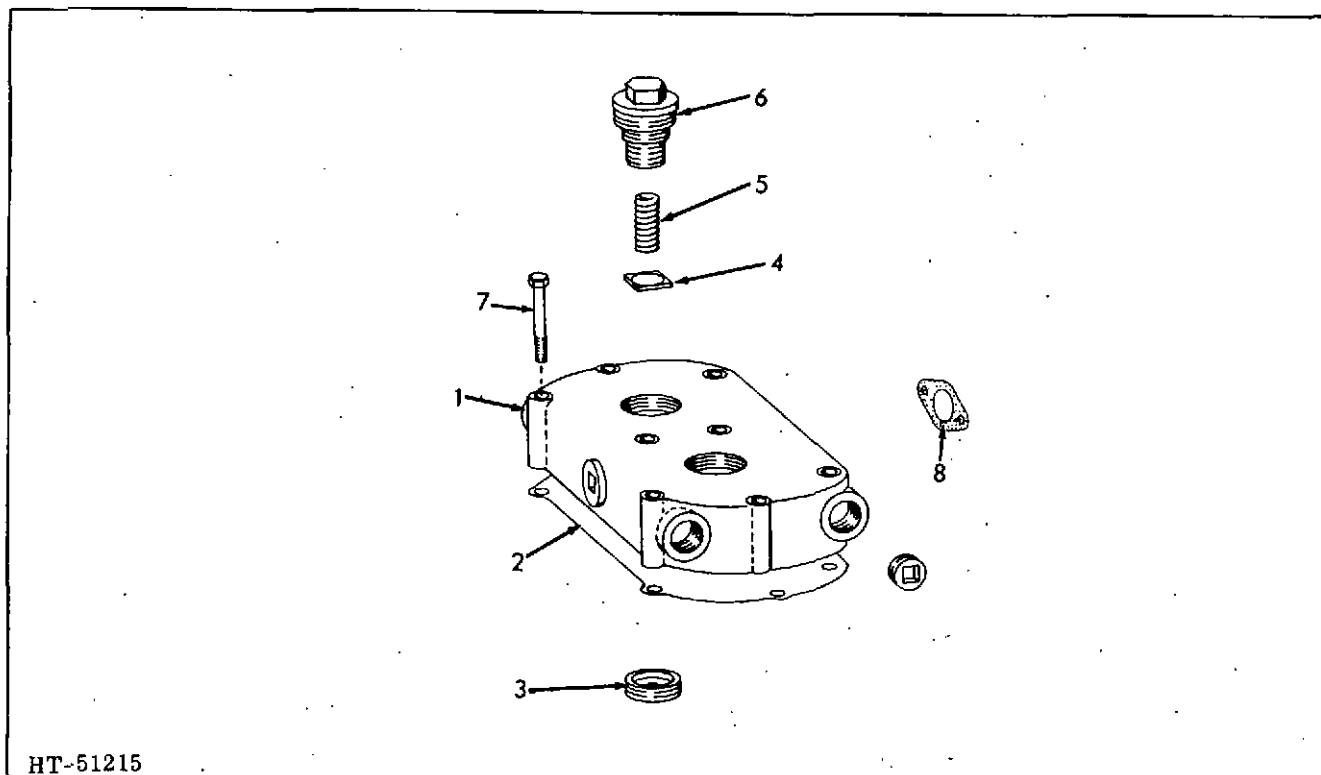
GOVERNOR (COMPRESSOR)
10000 & 11000
Power Unit

ITEM	PART NUMBER	QTY.	DESCRIPTION	PACKAGE NO.
-	4040310	1	GOVERNOR ASSY., compressor (Incl. Items 1 thru 26) (Part of 4347992 Compressor) (Prior to Serial No. 10-12007 & 11-10477) (See NOTE on Page 246)	
	4051039	1	GOVERNOR ASSY., compressor (Incl. Items 1 thru 26) (Part of 4349597 Compressor) (Effective w/Serial No. 10-12007 thru 10-11688 & 11-10477 thru 11-10239) (See NOTE on Page 246)	
	4040353	2	CAPSCREW	
	904205	2	LOCKWASHER, 5/16"	
1	4040770	2	CAP	
2	4040786	2	RING, sealing	
3	4040761	1	SPRING, seat retaining	
4	4040767	1	SPRING, inlet valve	
5	4040778	1	VALVE, inlet, exhaust	
6	4040868	1	GROMMET	
7	4040776	1	SEAT, inlet valve	

Continued

GOVERNOR (COMPRESSOR) (CONTINUED)
10000 & 11000
Power Unit

ITEM	PART NUMBER	QTY.	DESCRIPTION	PACKAGE NO.
8	4040762	*	SHIM, (.010") (* Use as Required)	
	4040775	*	SHIM, (.003") (* Use as Required)	
9	4040766	1	BUSHING, guide	
10	4040841	1	GROMMET, exhaust stem	
11	4041337	4	SCREW, mach., rd. hd.	
12	4041334	1	BODY ASSY., valve (Incl. BODY & Items 9 & 10)	
13	4054000	1	SPRING, exhaust stem	
14	4052239	1	STEM, exhaust	
15	4040777	2	FOLLOWER, upper and lower	
16	4040869	1	DIAPHRAGM	
17	4041335	1	STEM ASSY., diaphragm (Incl. STEM & Items 15, 16 & 18) (First Type)	
	4054438	1	STEM ASSY., diaphragm (Incl. STEM & Items 15, 16, 18 & 22) (Second Type)	
	917101 900800	1 1	NUT, hex., slotted, 1/4" NF PIN, cotter, 1/16" x 3/4" } (First Type)	
18	4040870	1	GROMMET, diaphragm stem	
19	4051427	1	CAGE, spring (4051039 Governor)	
	4040785	1	CAGE, spring (4040310 Governor)	
	917673	1	PLUG, pipe ctsk. hex. sock., 1/8" P.T. (2 Used on 4051039 Governor Only)	
20	4040779	1	SPRING, pressure setting	
21	4040769	1	SEAT, spring	
22	917358	1	NUT, hex., slotted	} (First Type)
	904020	1	PIN, cotter, 1/16" x 1"	
	4054504	2	NUT, elastic stop (Second Type)	
23	4040771	2	FILTER	
24	4040773	2	WASHER, rubber	
25	4040787	2	RING, sealing	
26	4040772	2	CAP, filter	
27	4040345	1	GASKET, governor	

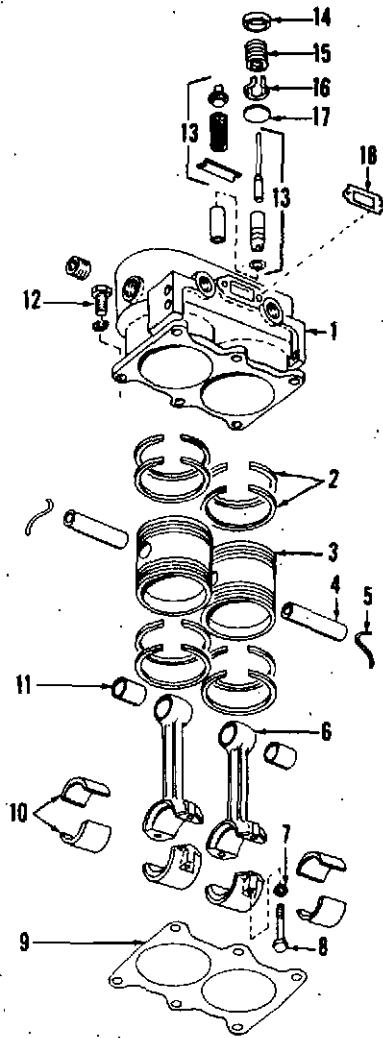


HT-51215

COMPRESSOR CYLINDER HEAD
 (Model Tu-Flo 400, 7-1/4 Cu. Ft. Capacity)
 10000 & 11000
 Power Unit
 (Effective w/Serial No. 10-12007 & 11-10477)

USAGE: See Page 233

ITEM	PART NUMBER	QTY.	DESCRIPTION	PACKAGE NO.
1	4049255	1	HEAD ASSY., cylinder (Incl. Item 3)	
	918887	4	PLUG, pipe, 3/8" sq. hd.	
2	4049264	1	GASKET, cylinder head	
3	4049256	2	SEAT, discharge valve	
4	4040522	2	VALVE, discharge	
5	4040303	2	SPRING, discharge valve	
6	4040523	2	CAPNUT, discharge valve	
7	4053197	8	CAPSCREW, cylinder head	
8	4040302	1	GASKET, cylinder head fitting	



HT-51693

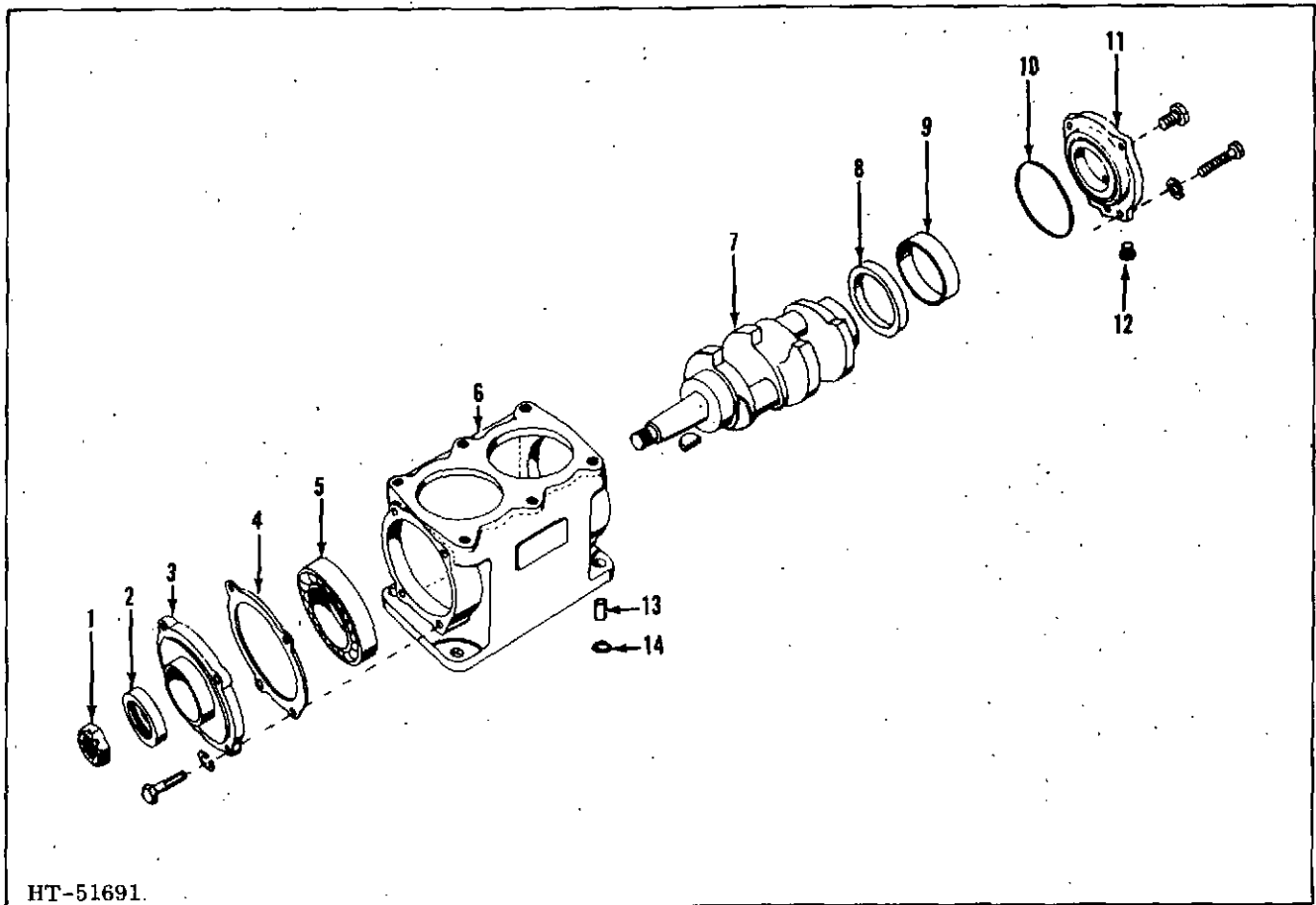
COMPRESSOR CYLINDER BLOCK
 (Model Tu-Flo 400, 7-1/4 Cu. Ft. Capacity)
 10000 & 11000
 Power Unit
 (Effective w/Serial No. 10-12007 & 11-10477)

USAGE: See Page 233

ITEM	PART NUMBER	QTY.	DESCRIPTION	PACKAGE NO.
1	4053195	1	BLOCK ASSY., compressor cylinder (Incl. UNLOADER VALVE BUSHINGS & Item 17)	
	918887	1	PLUG, pipe, 3/8"	
	901652	1	PLUG, pipe, 1/4"	
	920333	5	PLUG, pipe, 3/8"	
	4053235	1	COCK, drain, 3/8"	
	-----	2	BUSHING, unloader valve (Standard) (Use 4054439)	
	4054439	-	BUSHING, unloader (.006" oversize) (Use as Required)	
2	4049262	1	RING SET, piston	
3	4049260	2	PISTON ASSY., (Incl. Item 4)	

COMPRESSOR CYLINDER BLOCK (CONTINUED)
 (Model Tu-Flo 400, 7-1/4 Cu. Ft. Capacity)
 10000 & 11000
 Power Unit
 (Effective w/Serial No. 10-12007 & 11-10477)

ITEM	PART NUMBER	QTY.	DESCRIPTION	PACKAGE NO.
4	4049261	2	PIN, piston (Standard)	
	4054436	2	PIN, piston (.005" oversize)	
5	4040340	2	WIRE, lock, piston	
6	4056426	2	ROD ASSY., connecting (Incl. ROD, CAP, & Items 7 thru 9)	
7	4053356	4	BOLT, connecting rod cap	
8	4053298	4	LOCKWASHER	
9	4056412	2	BUSHING, connecting rod	
10	4053357	4	BEARING, connecting rod	
11	4040494	1	GASKET, cylinder block	
12	4058898	1	UNLOADER VALVE KIT, (Incl. 1-SPRING SADDLE, 1-UNLOADER SPRING, 1-SPRING SEAT, 2-UNLOADER PLUNGERS, 2-UNLOADER PISTONS & 2-PLUNGER GUIDES - (Not Serviced Separately) & 1-4040341 GASKET	
13	4053193	6	CAPSCREW, cylinder block	
	4110730	6	LOCKWASHER	
14	4040336	2	SPRING, inlet valve	
15	4052124	2	GUIDE, inlet valve	
16	4040335	2	VALVE, inlet	
17	4040330	2	SEAT, inlet valve	
18	4040341	1	GASKET, strainer	



HT-51691.

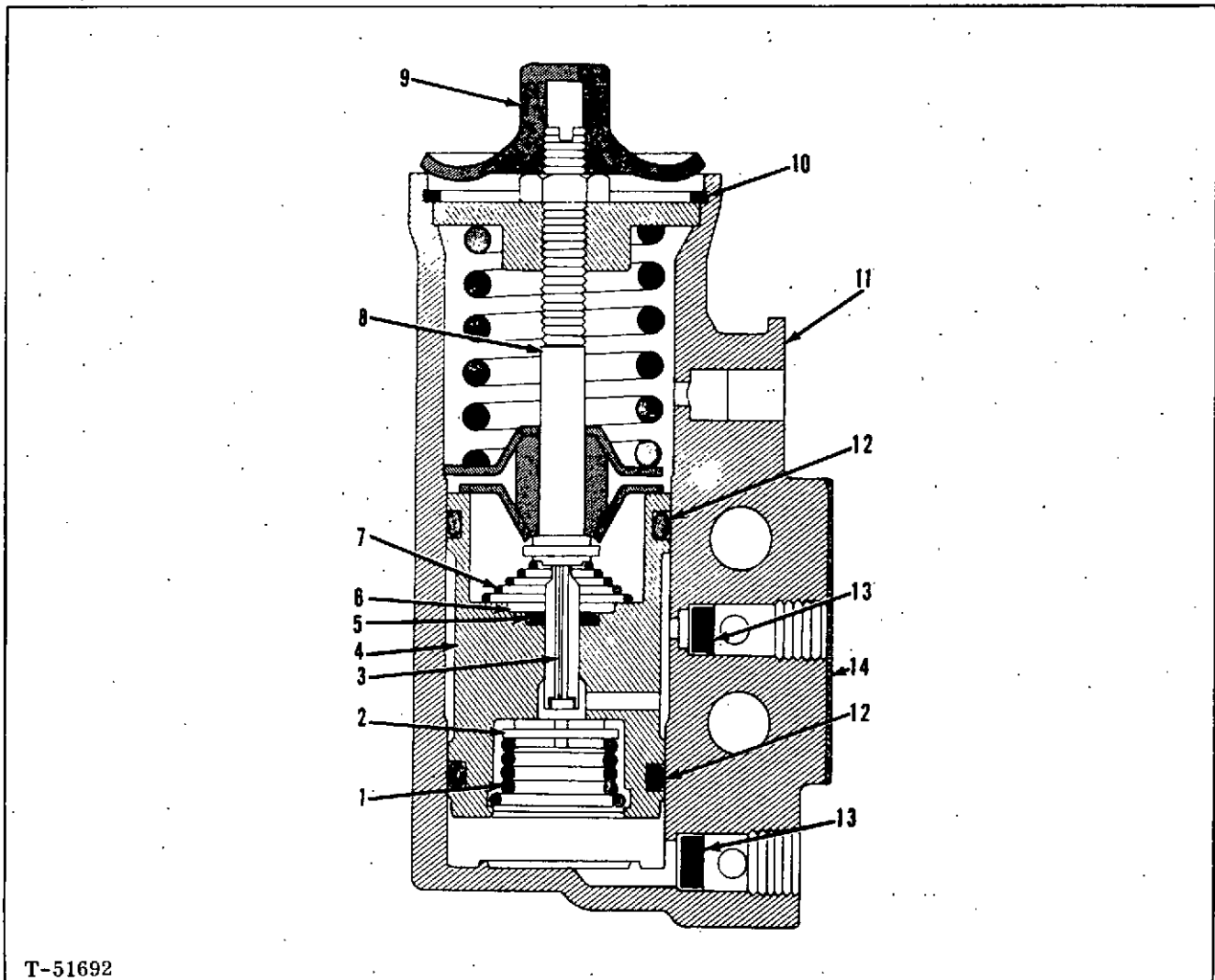
COMPRESSOR CRANKCASE
 (Model Tu-Flo 400, 7-1/4 Cu. Ft. Capacity)
 10000 & 11000
 Power Unit
 (Effective w/Serial No. 10-12007 & 11-10477)

USAGE: See Page 233

ITEM	PART NUMBER	QTY.	DESCRIPTION	PACKAGE NO.
1	4040351	1	NUT, crankshaft	
2	4040306	1	SEAL, oil	
3	4040515	1	COVER, front end	
	4050464	4	CAPSCREW	
	4112723	4	LOCKWASHER	
4	4056560	1	GASKET, front cover	
5	4049259	1	BEARING, ball	
6	4053198	1	CRANKCASE ASSY., compressor (Incl. Item 13)	
7	4056128	1	CRANKSHAFT	
	910545	1	KEY, hi-pro, 1/4" x 1"	
8	4056130	1	WASHER, thrust	
9	4056133	1	BEARING, (bushing type)	

COMPRESSOR CRANKCASE (CONTINUED)
 (Model Tu-Flo 400, 7-1/4 Cu. Ft. Capacity)
 10000 & 11000
 Power Unit
 (Effective w/Serial No. 10-12007 & 11-10477)

ITEM	PART NUMBER	QTY.	DESCRIPTION	PACKAGE NO.
10	4056132	1	GROMMET, rear cover	
11	4056129	1	COVER ASSY., rear end (Incl. Item 9)	
	4055557	4	CAPSCREW	
	4112723	4	LOCKWASHER	
	919134	1	PLUG, pipe, 1/8" NPT	
12	4040550	1	PLUG, pipe, rear cover	
13	4040493	1	TUBE, oil	
14	4040539	1	GASKET, oil seal	



T-51692

GOVERNOR ASSEMBLIES - 4056131 & 4056135
 10000 & 11000
 Power Unit

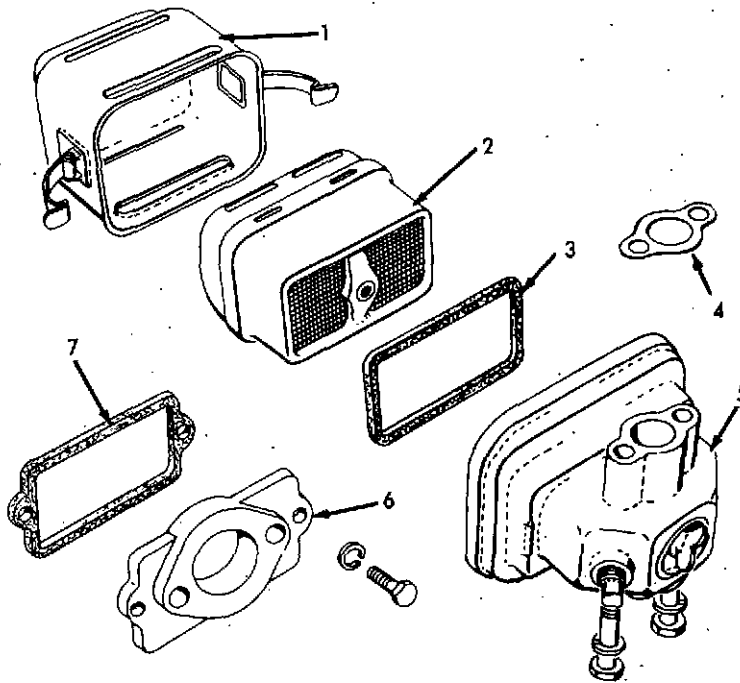
NOTE: GOVERNOR ASSY. 4056131 replaces 4040310 and 4056135
 replaces 4051039 as a complete unit replacement.

ITEM	PART NUMBER	QTY.	DESCRIPTION	PACKAGE NO.
1	4055272	1	SPRING, valve	
2	4055273	1	VALVE, (Incl. INSERT)	
3	4055278	1	STEM, exhaust	
4	4055274	1	PISTON ASSY., (Incl. Items 5 & 6)	
5	4054151	1	GROMMET, piston (inner)	
6	4055275	1	WASHER, piston	
7	4055279	1	SPRING, exhaust stem	

GOVERNOR ASSEMBLIES - 4056135 & 4056135 (CONTINUED)
 10000 & 11000
 Power Unit

ITEM	PART NUMBER	QTY.	DESCRIPTION	PACKAGE NO.
8	4055276	1	SCREW & SPRING ASSY., adjusting (Incl. SCREW, NUT, SPRING, GUIDE & SEAT) (Serviced only as a unit)	
9	4055277	1	COVER, governor	
10	4056265	1	RING, retaining	
11	4055281	1	BODY ASSY., governor (Incl. Item 13)	
	917673	4	PLUG, pipe, ctsk. hd., 1/8"	
12	4055283	2	GROMMET, piston (outer)	
13	4055282	2	FILTER, body	
14	4040345	1	GASKET, governor	
15	4055341	2	CAPSCREW, governor retaining	} (Not Illustrated)
	4112723	2	LOCKWASHER	

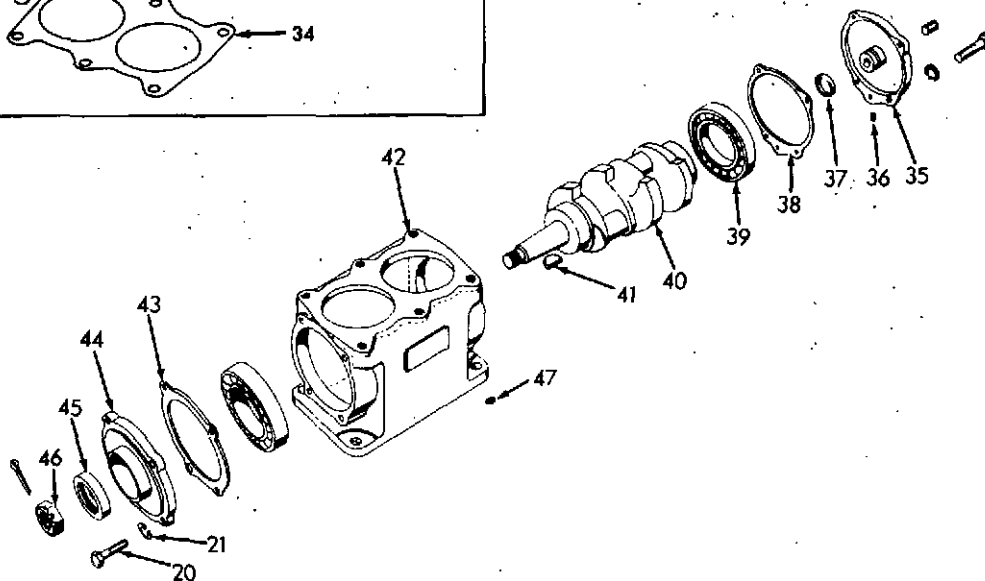
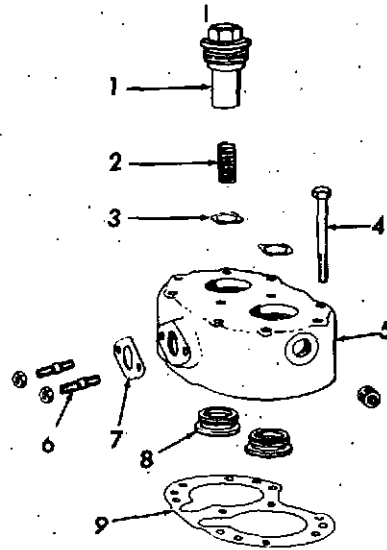
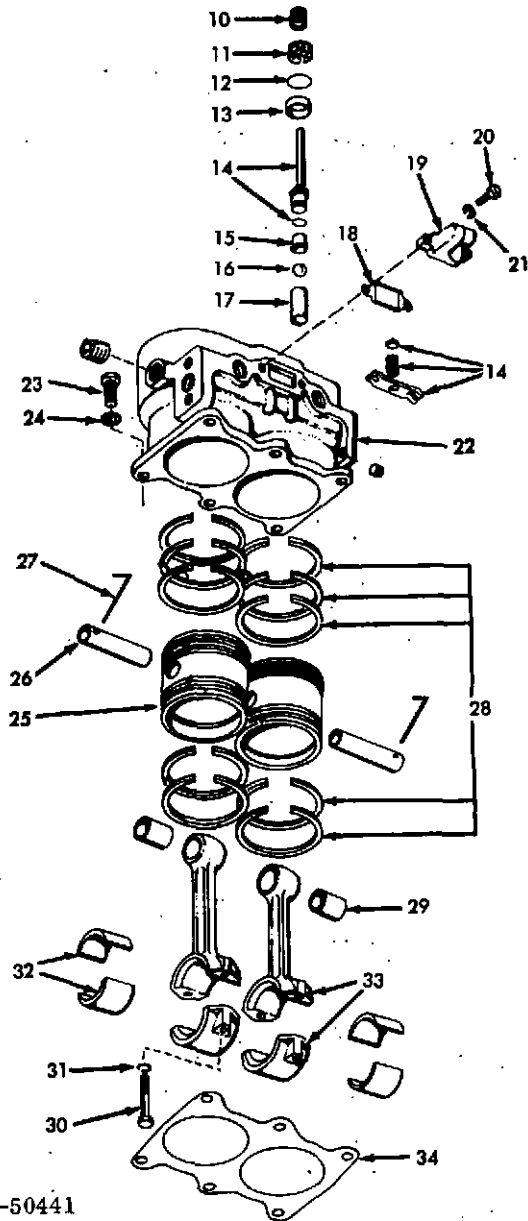
NOTE: Items 14 & 15 not included in Governor Assembly.



T-21816

AIR COMPRESSOR AIR CLEANER ASSEMBLY - 4050662
 10000 & 11000
 Power Unit
 (4336904 & 4336906)

ITEM	PART NUMBER	QTY.	DESCRIPTION	PACKAGE NO.
1	4040618	1	CUP ASSY., oil (Incl. CLIP)	
2	4040682	1	BODY ASSY., air cleaner	
	903747	2	SCREW, fillister head, 1/4" NC x 3"	
	904204	2	LOCKWASHER, 1/4"	
3	4040681	1	GASKET, top to body	
4	4040676	1	GASKET, adaptor (Not Incl. in 4050662 Assy.)	
5	4040680	1	TOP ASSY., air cleaner	
6	4050663	1	ADAPTOR, air cleaner	} (Not Incl. in 4050662 Assy.)
	903626	2	CAPSCREW, 5/16" NC x 3/4"	
	904205	2	LOCKWASHER, 5/16"	
7	4040341	1	GASKET, adaptor to compressor	



AIR COMPRESSOR ASSEMBLY - 4349597

AIR COMPRESSOR ASSEMBLY - 4349597
 (Model Tu-Flo 500, 12 Cu. Ft. Capacity)
 10000 & 11000
 Power Unit

USAGE: See Page 233

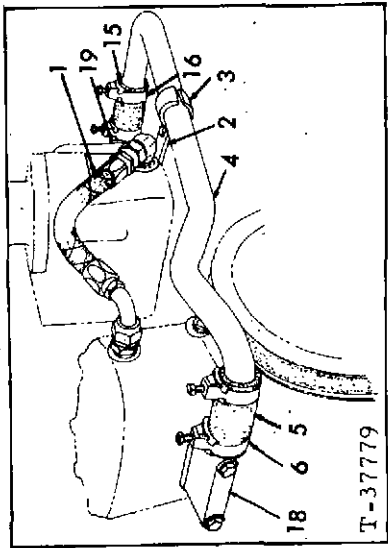
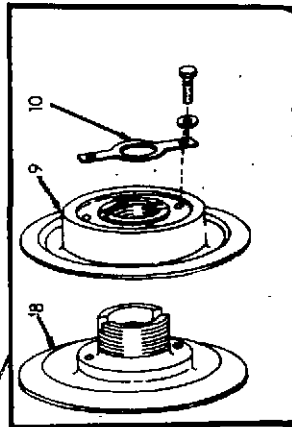
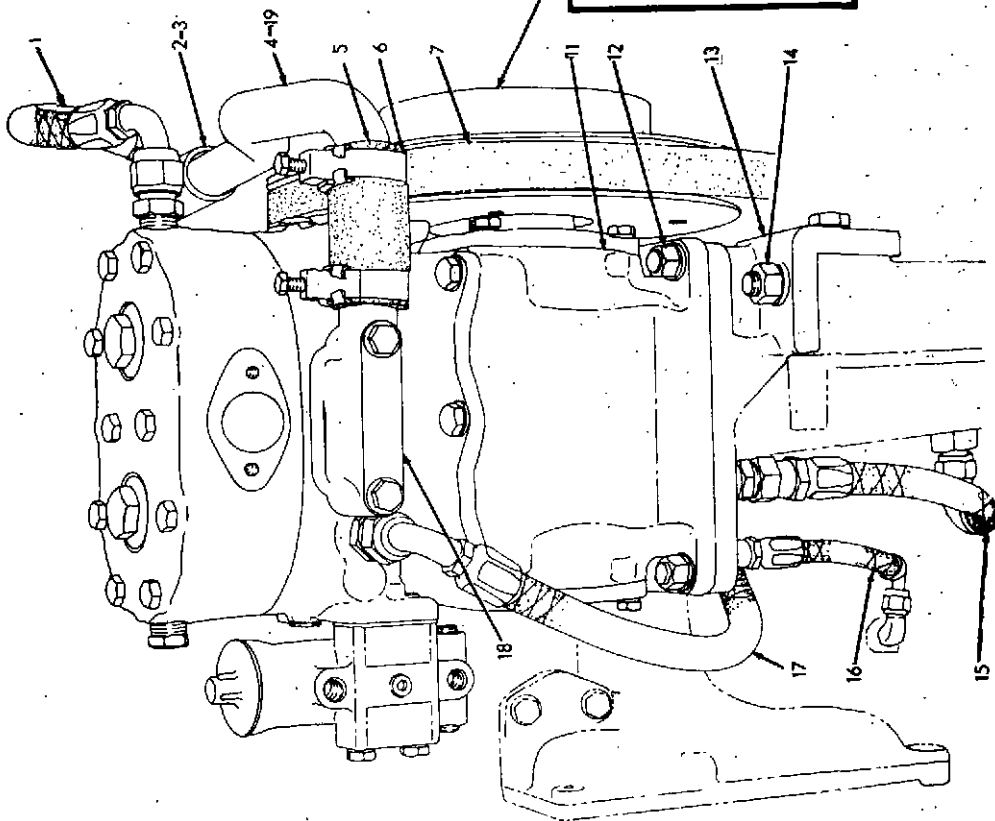
ITEM	PART NUMBER	QTY.	DESCRIPTION	PACKAGE NO.
1	4040343	2	CAPNUT, discharge valve	
2	4040303	2	SPRING, discharge valve	
3	4040315	2	VALVE, discharge	
4	4050468	10	CAPSCREW	
5	4040342	1	HEAD ASSY., cylinder (Incl. Inlet Valve Spring SEAT, Inlet Valve Spring INSERT & Item 8)	} (Not Illustrated)
	901653	2	PLUG, pipe, sq. hd. 3/8" P.T.	
	4054434	2	SEAT, inlet valve spring	
	4054435	2	INSERT, inlet valve spring	
6	4051040	2	STUD	
	910233	2	NUT, 5/16" NF	
7	4040302	1	GASKET, fitting	
8	4050467	2	SEAT, discharge valve	
9	4050466	1	GASKET, cylinder head	
10	4040336	2	SPRING, inlet valve	
11	4052124	2	GUIDE, inlet valve	
12	4040335	2	VALVE, inlet	
13	4040330	2	SEAT, inlet valve	
14	4058899	1	KIT, unloader valve (Incl. 1-SPRING SADDLE, 1-UNLOADER SPRING, 1-SPRING SEAT, 2-UNLOADER PLUNGERS, 2-UNLOADER PISTON ASSY., 2-GUIDES & 1-4040341 GASKET) (The above items not serviced separately with Exception of Gasket)	
15	-----	2	CUP, unloader (First Type)	} Replace w/Kit No. 4058899
16	-----	2	STOP, unloader cup (First Type)	
17	4054439	2	BUSHING, unloader bore (.006" Oversize)	
18	-----	1	GASKET, adaptor (See Compressor Air Cleaner Group)	
19	-----	1	ELBOW, (See Compressor Air Cleaner Group)	
20	4050464	8	CAPSCREW	
21	904205	8	LOCKWASHER	

Continued

AIR COMPRESSOR ASSEMBLY - 4349597 (CONTINUED)
 (Model Tu-Flo 500, 12 Cu. Ft. Capacity)
 10000 & 11000
 Power Unit

ITEM	PART NUMBER	QTY.	DESCRIPTION	PACKAGE NO.
22	4050453	1	BLOCK ASSY., cylinder (Incl. Items 13 & 17)	
	901653	1	PLUG, pipe, sq. hd., 3/8" P.T.	
	901652	1	PLUG, pipe, sq. hd., 1/4" P.T.	
23	4050462	6	CAPSCREW	
24	904206	6	LOCKWASHER, 3/8"	
25	4052939	2	PISTON ASSY., (Incl. Item 26)	
26	4040339	2	PIN, wrist (Standard)	
	4054437	2	PIN, wrist (.005" Oversize)	
27	4040340	2	WIRE, locking, wrist pin	
28	4052940	1	RING SET, piston (Incl. 10 Compression Rings)	
29	4052936	2	BUSHING, wrist pin	
30	4053356	4	BOLT, connecting rod	
31	4053298	4	LOCKWASHER	
32	4053595	4	BEARING, connecting rod	
33	4053594	2	ROD ASSY., connecting (Incl. CAP & Items 29, 30 & 31)	
34	4040321	1	GASKET, cylinder block	
35	4040643	1	COVER, rear	
36	4040550	1	PLUG, pipe, socket head	
37	4040299	1	RING, oil seal	
38	4040322	1	GASKET, rear cover	
39	4254151	2	BEARING, ball	
40	4040312	1	CRANKSHAFT	
41	4040304	1	KEY	
42	4051038	1	CRANKCASE ASSY., (Incl. Item 49)	
43	4040323	1	GASKET, front cover	
44	4040300	1	COVER, front end	
45	4040306	1	SEAL, oil, front	
46	4040549	1	NUT, crankshaft	
	904004	1	PIN, cotter, 1/8" x 2-1/2"	
47	4040539	1	GASKET, oil seal	
48	4053235	1	DRAIN COCK, (Not Illustrated)	
49	4047564	1	TUBE, oil, crankcase (Not Illustrated)	

MEMO



T-37779

T-37778

AIR COMPRESSOR

AIR COMPRESSOR (4339292, 4354446 & 4357537)
10000 & 11000
Power Unit

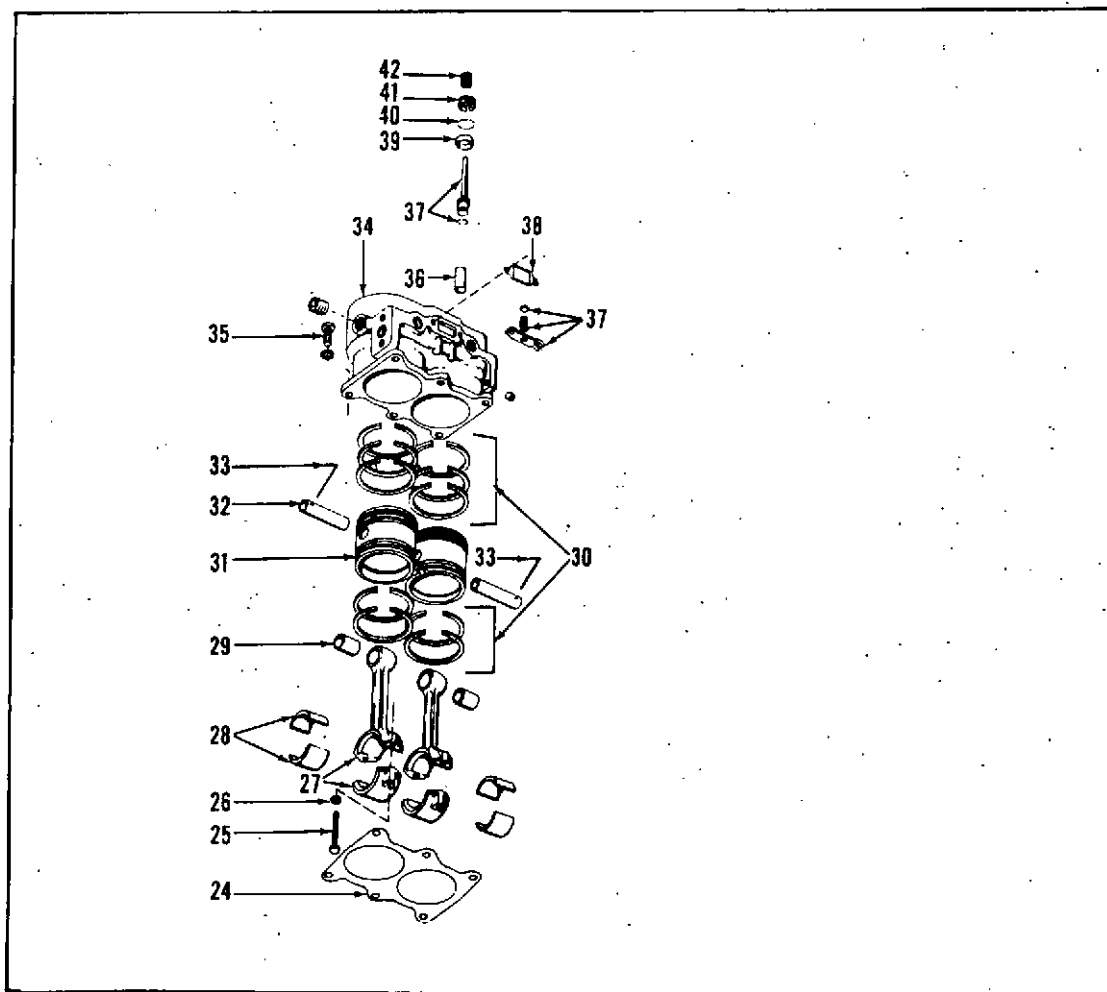
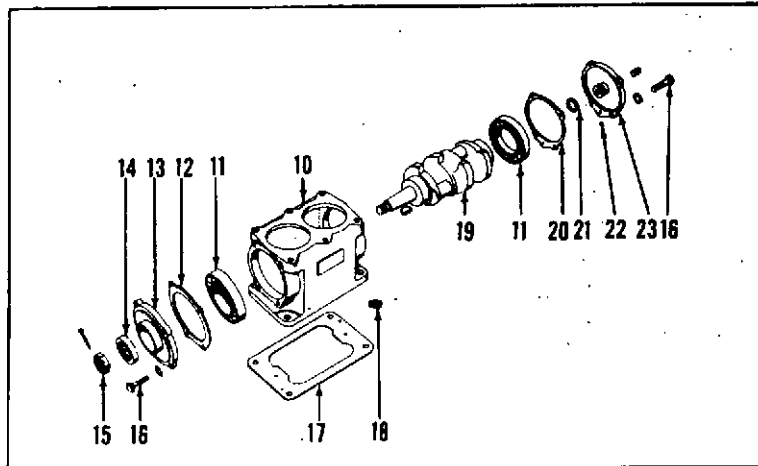
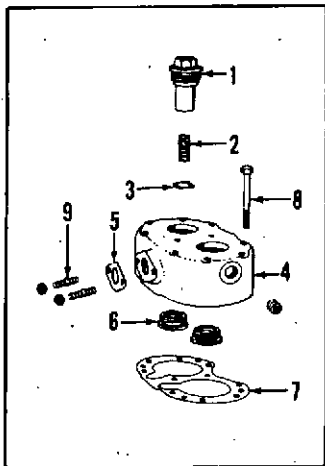
ITEM	PART NUMBER	QTY.	DESCRIPTION	PACKAGE NO.
1	4368867	1	HOSE ASSY., water, compressor to thermostat housing	
	904271	1	BUSHING, reducer, 1" x 3/8"	
	911309	1	ELBOW, male, 90°, 1/2" tube x 3/4" NPT	
	917386	1	COUPLING, pipe, straight, 3/8" NPT	
	918331	1	NIPPLE, 3/8" NPT x 1-1/4"	
2	4336174	1	BRACKET, air inlet tube	
3	4347724	1	CLAMP, air inlet tube (2 halves)	
	915343	1	CAPSCREW, 1/4" NC x 5/8"	
	904204	1	LOCKWASHER, 1/4"	
	910880	1	NUT, 1/4" NC	
4	4338284	1	TUBE, air inlet	
5	4356232	2	HOSE, air inlet tube	
6	4253452	4	CLAMP, hose	
7	4338770	1	BELT, compressor	
8	4347994	1	PULLEY, compressor (stationary half)	
9	4347681	1	PULLEY, compressor (adjustable half)	
	910147	1	PIN, cotter, 3/32" x 1-1/8"	
10	4346724	1	PLATE, locking, pulley	
	910984	2	CAPSCREW, 3/8" NC x 2"	
	904206	2	LOCKWASHER, 3/8"	
11	4338283	1	COMPRESSOR ASSY., air (Incl. 4389823 GOVERNOR) (See Page 258 thru 260, 267 & 268 for Components) (Prior to Serial No. 10-12007 & 11-10490 Including 11-10646 & 11-10649) (4339232)	
	4339481	1	COMPRESSOR ASSY., air (Incl. 4389823 GOVERNOR) (See Page 261 thru 268 for Components) (Effective w/Serial No. 10-12007 & 11-10490 Except 11-10646 & 11-10649) (4339232)	
	4354443	1	COMPRESSOR ASSY., air (Incl. 4056278 GOVERNOR) (See Page 261 thru 268 for Components) (4354446)	
	4357538	1	COMPRESSOR ASSY., air (Incl. 4389823 GOVERNOR) (See Page 261 thru 268 for Components) (4357537)	
12	4347855	4	STUD, compressor mounting	
	910986	4	NUT, 1/2" NC	
	904207	4	LOCKWASHER, 1/2"	
13	4347714	1	BRACKET, air compressor	
	919230	2	CAPSCREW, 1/2" NC x 1-3/8"	
	904208	2	LOCKWASHER, 1/2"	
14	4347722	2	STUD, bracket mounting	
	910195	2	NUT, 1/4" NC	
	904208	2	LOCKWASHER, 1/2"	

Continued

AIR COMPRESSOR (4339292, 4354446 & 4357537) (CONTINUED)
 10000 & 11000
 Power Unit

ITEM	PART NUMBER	QTY.	DESCRIPTION	PACKAGE NO.
15	4368870	1	HOSE ASSY., oil drain	
	915389	1	ELBOW, street, 90°, 3/8" NPT	
	915399	1	ELBOW, street, 90°, 1/8" NPT	
	910947	1	CONNECTOR, male, flare type, 1/2" tube x 3/8" NPT male	
16	4368846	1	HOSE ASSY., oil (crankcase to bracket)	
	910161	1	ELBOW, flared type, 1/4" tube x 3/16" NPT	
17	4368870	1	HOSE ASSY., (water volute to compressor)	
	915389	1	ELBOW, street, 90°, 3/8" NPT	
	911309	1	ELBOW, 90°, 1/2" tube x 3/8" NPT	
18	4338174	1	ADAPTOR, air inlet tube	
	916280	2	CAPSCREW, 5/16" NC x 2"	
	917330	2	WASHER, copper, 5/16"	
19	4347921	1	ADAPTOR, air inlet (at manifold)	

MEMO



HT-50413

AIR COMPRESSOR ASSEMBLY - 4338283

AIR COMPRESSOR ASSEMBLY - 4338283
10000 & 11000
Power Unit

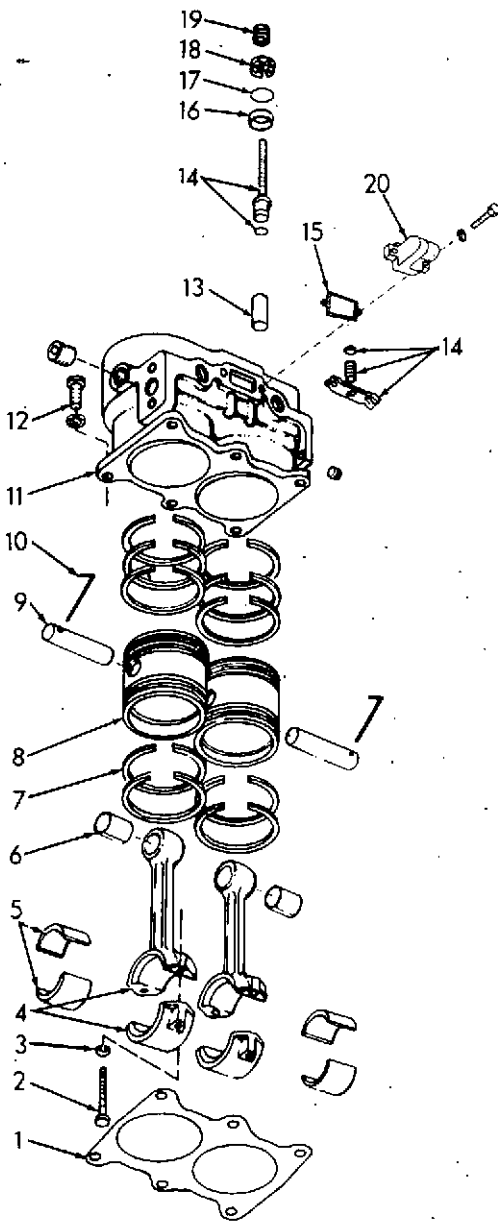
USAGE: See Page 255

ITEM	PART NUMBER	QTY.	DESCRIPTION	PACKAGE NO.
1	4040343	2	CAPNUT, discharge valve	
2	4040303	2	SPRING, discharge valve	
3	4040315	2	VALVE, discharge	
4	4040342	1	HEAD ASSY., cylinder (Incl. 2-SEAT 4054434, 2-INSERT 4054435 & Item 6)	
	920333	2	PLUG, pipe, hex. hd., 3/8" P. T.	
	4054434	2	SEAT, inlet valve spring (Not Illustrated)	
	4054435	2	INSERT, inlet valve spring (Not Illustrated)	
5	4040302	1	GASKET, fitting	
6	4050467	2	SEAT, discharge valve	
7	4050466	1	GASKET; cylinder head	
8	4050468	10	CAPSCREW, (Special)	
9	4051040	2	STUD	
	910233	2	NUT, 5/16" NF	
10	4051038	1	CRANKCASE ASSY., (Incl. TUBE) (Serviced only as a unit)	
	4047564	1	TUBE, oil, crankcase (Not Illustrated)	
11	4254151	2	BEARING, ball	
12	4040323	1	GASKET, front cover	
13	4040300	1	COVER, front end	
14	4040306	1	SEAL, oil, front	
15	4040549	1	NUT, crankshaft	
	904004	1	PIN, cotter, 1/8" x 2-1/2"	
16	4050464	8	CAPSCREW, crankcase cover	
	904205	8	LOCKWASHER, 5/16"	
17	4040305	1	GASKET, crankcase base flange	
18	4040539	1	GASKET, oil seal	
19	4040312	1	CRANKSHAFT	
	910545	1	KEY, Hi-Pro, 1/4" x 1"	
20	4040322	1	GASKET, rear cover	
21	4040299	1	RING, oil seal	
22	4040550	1	PLUG, pipe, socket hd.	

Continued

AIR COMPRESSOR ASSEMBLY - 4338283 (CONTINUED)
10000 & 11000
Power Unit

ITEM	PART NUMBER	QTY.	DESCRIPTION	PACKAGE NO.
23	4040643	1	COVER, rear	
	919134	1	PLUG, pipe, hex. hd., 1/8" P.T.	
24	4040321	1	GASKET, cylinder block	
25	4053356	4	BOLT, connecting rod	
26	4053298	4	LOCKWASHER, connecting rod bolt	
27	4053594	2	ROD ASSY., connecting (Incl. CAP & Items 25, 26 & 29)	
28	4053595	4	BEARING, connecting rod	
29	4052936	2	BUSHING, wrist pin	
30	4052940	1	RING SET, piston (Incl. 10-Compression Rings)	
31	4052939	2	PISTON ASSY., (Incl. Item 32)	
32	4040339	2	PIN, wrist (Standard)	
	4044437	*	PIN, wrist (.005" Oversize) (* Use as Required)	
33	4040340	2	WIRE, locking, wrist pin	
34	4050453	1	BLOCK ASSY., cylinder (Incl. Items 36 & 39)	
	918887	3	PLUG, pipe, ctsk. hex. socket, 3/8" P.T.	
	901652	1	PLUG, pipe, sq. hd. 1/4"	
	920333	1	PLUG, pipe, hex. hd., 3/8" P.T.	
35	4050462	6	CAPSCREW, cylinder block to crankcase	
	904206	6	LOCKWASHER, 3/8"	
36	4050454	2	BUSHING, unloader bore (Standard)	
	4054439	*	BUSHING, unloader bore (.006" Oversize) (* Use as Required)	
37	4058899	1	VALVE KIT, unloader (Incl. 1-SPRING SADDLE, 1-UNLOADER SPRING, 1-SPRING SEAT, 2-UNLOADER PLUNGERS; 2-UNLOADER PISTON ASSY., 2-GUIDES) (Not Serviced Separately) & 1-GASKET 4040341	
38	4040341	1	GASKET, unloader valve	
39	4040330	2	SEAT, inlet valve	
40	4040335	2	VALVE, inlet	
41	4052124	2	GUIDE, inlet valve	
42	4040336	2	SPRING, inlet valve	



T-37751

COMPRESSOR CYLINDER BLOCK

* (Model Tu-Flo 500, 12 Cu. Ft. Capacity) (f/4339480, 4339481 & 4354443 Assys.)

** (Model Tu-Flo 600, 14.5 Cu. Ft. Capacity) (f/4357538 Assy.)

10000 & 11000 Power Unit

USAGE: See Pages 233 & 255

ITEM	PART NUMBER	QTY. * **	DESCRIPTION	PACKAGE NO.
1	4040321	1 -	GASKET, cylinder block	
	4059544	- 1	GASKET, cylinder block	
2	4053356	4 4	BOLT, connecting rod	
3	4053298	4 4	LOCKWASHER, connecting rod bolt	

Continued

COMPRESSOR CYLINDER BLOCK (CONTINUED)

* (Model Tu-Flo 500, 12 Cu. Ft. Capacity) (f/4339480, 4339481 & 4354443 Assys.)

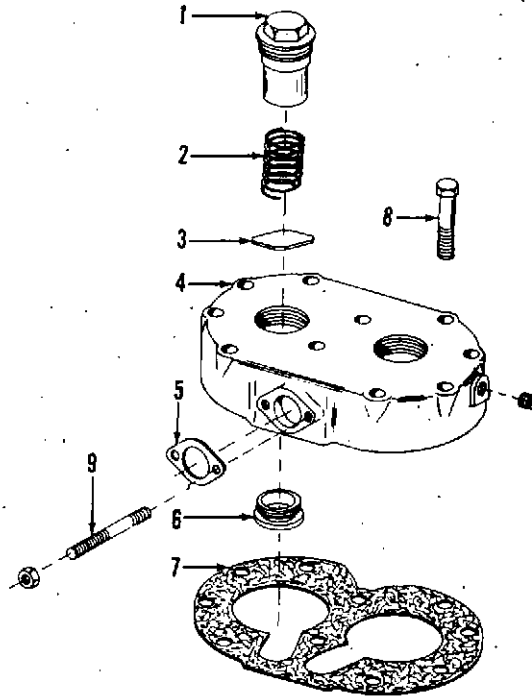
** (Model Tu-Flo 600, 14.5 Cu. Ft. Capacity) (f/4357538 Assy.)
10000 & 11000 Power Unit

ITEM	PART NUMBER	QTY. * **	DESCRIPTION	PACKAGE NO.
4	4056425	2 -	ROD ASSY., connecting (Incl. ROD, CAP & Items 2, 3 & 6) (f/4339480 & 4339481 Assys.)	
	4053594	2 2	ROD ASSY., connecting (Incl. ROD, CAP & Items 2, 3 & 6) (f/4354443 & 4357538 Assys.)	
5	4053595	4 4	BEARING, connecting rod	
6	4056353	2 2	BUSHING, wrist pin	
7	4052940	1 -	RING SET, piston (Incl. ten compression rings)	
	4059553	- 1	RING SET, piston (Incl. ten compression rings)	
8	4052939	2 -	PISTON ASSY., (Incl. Item 9)	
	4059549	- 1	PISTON ASSY., (Incl. Item 9)	
9	4040339	2 -	PIN, wrist (Standard)	
	4059547	- 2	PIN, wrist (Standard)	
	4054437	* -	PIN, wrist (.005" oversize)	*(Use as Required)
	4059548	- *	PIN, wrist (.005" oversize)	
10	4040340	2 2	WIRE, locking, wrist pin	
11	4050453	1 -	BLOCK ASSY., cylinder (Incl. Items 13 & 16)	
	4059545	- 1	BLOCK ASSY., cylinder (Incl. Items 13 & 16)	
	918887	3 2	PLUG, pipe, 3/8" NPTF (Use 2 f/4354443)	
	901652	1 1	PLUG, pipe, 1/4" NPTF	
	920333	4 4	PLUG, pipe, 3/8" NPTF (Use 3 f/4339480 & 4339481 Assys.)	
	918850	1 1	PLUG, pipe, 1/4" NPTF (Not used on 4339480 & 4339481 Assys.)	
	4053235	1 -	COCK, drain (f/4339480 & 4339481 Assys.)	
12	4050462	6 6	CAPSCREW, cylinder block to crankcase	
	4110730	6 6	LOCKWASHER	
13	4054439	2 2	BUSHING, unloader bore (.006" oversize)	
14	4058899	1 1	VALVE KIT, unloader (Incl. 1-SPRING SADDLE, 1-UNLOADER SPRING, 1-SPRING SEAT, 2-UNLOADER PLUNGERS, 2-UNLOADER PISTON ASSY., & 2-GUIDES) (Not Serviced Separately)	
15	4040341	1 1	GASKET, elbow	
16	4040330	2 2	SEAT, inlet valve	
17	4040335	2 2	VALVE, inlet	
18	4052124	2 2	GUIDE, inlet valve	

COMPRESSOR CYLINDER BLOCK (CONTINUED)

* (Model Tu-Flo 500, 12 Cu. Ft. Capacity) (f/4339480, 4339481 & 4354443 Assys.)
 ** (Model Tu-Flo 600, 14.5 Cu. Ft. Capacity) (f/4357538 Assy.)
 10000 & 11000 Power Unit

ITEM	PART NUMBER	QTY.		DESCRIPTION	PACKAGE NO.
		*	**		
19	4040336	2	2	SPRING, inlet valve	
20	-----	1	1	ELBOW, inlet (See Page 261) (Not part of Compressor)	
	917330	2	2	WASHER, copper, 5/16"	
	916280	2	2	CAPSCREW, 5/16" NC x 2"	



T-37750

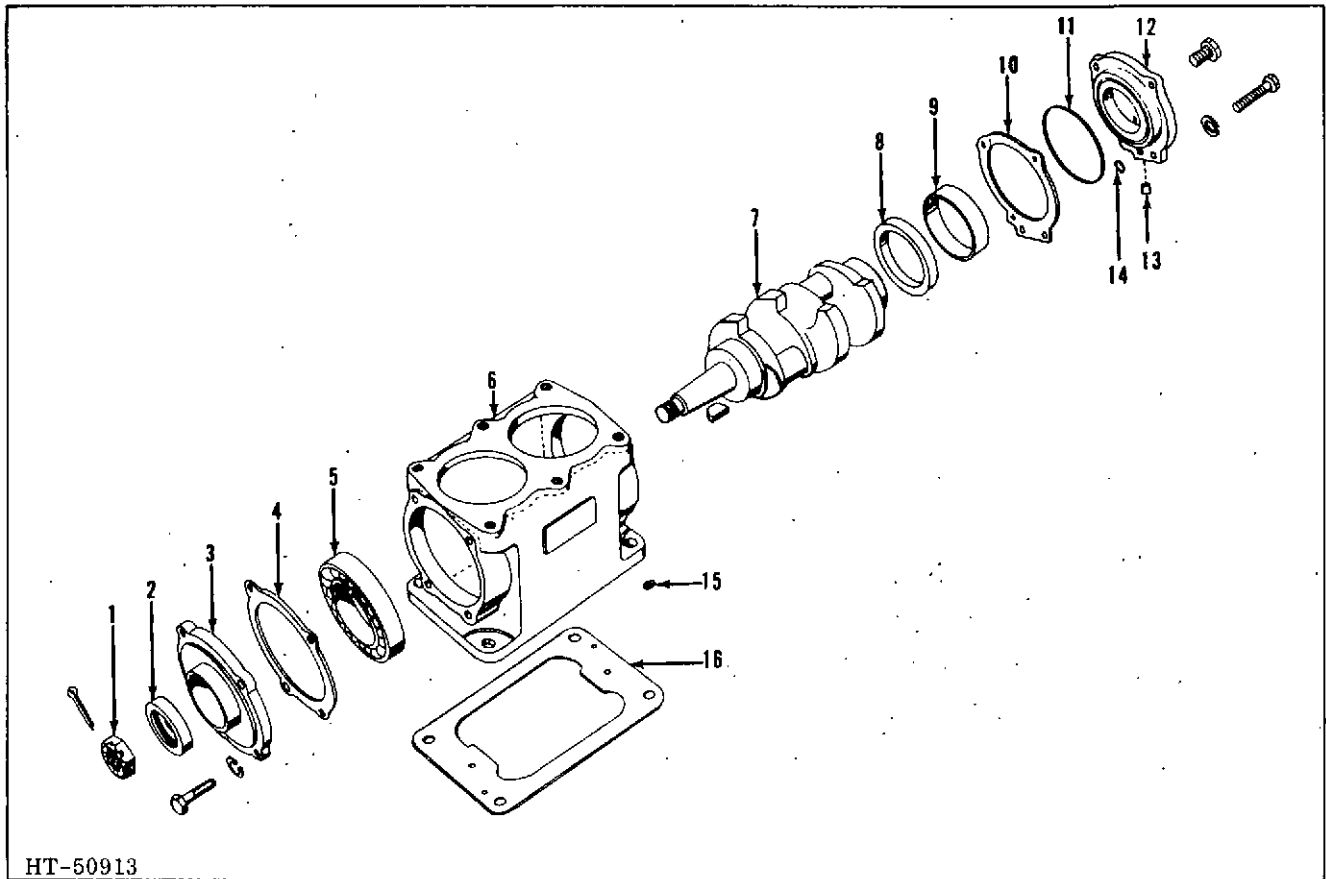
COMPRESSOR CYLINDER HEAD

* (Model Tu-Flo 500, 12 Cu. Ft. Capacity) (f/4339480, 4339481 & 4354443 Assys.)

** (Model Tu-Flo 600, 14.5 Cu. Ft. Capacity) (f/4357538 Assy.)
10000 & 11000 Power Unit

USAGE: See Pages 233 & 255

ITEM	PART NUMBER	QTY. * **	DESCRIPTION	PACKAGE NO.
1	4040343	2	NUT, discharge valve	
	4059546	- 2	NUT, discharge valve	
2	4040303	2 2	SPRING, discharge valve	
3	4040315	2 2	VALVE, discharge	
4	4040342	1 1	HEAD ASSY., cylinder (Incl. 2-SEAT - 4054434, 2-INSERT - 4054435 & Item 6)	
	920333	2 2	PLUG, pipe, 3/8" NPT	
	4054434	2 2	SEAT, inlet valve spring	(Not Illustrated)
	4054435	2 2	INSERT, inlet valve spring	
5	4040302	1 2	GASKET, fitting	
6	4050467	2 2	SEAT, discharge valve	
7	4050466	1 1	GASKET, cylinder head	
8	4050468	10 10	CAPSCREW, (Special)	
9	4051040	2 2	STUD, cylinder head	
	920263	2 2	NUT, 5/16" NF	



HT-50913

COMPRESSOR CRANKCASE (f/4339480, 4339481, 4354443 & 4357538 ASSYS.)
 (Model Tu-Flo 500, 12 Cu. Ft. Capacity)
 (Model Tu-Flo 600, 14.5 Cu. Ft. Capacity)
 10000 & 11000 Power Unit

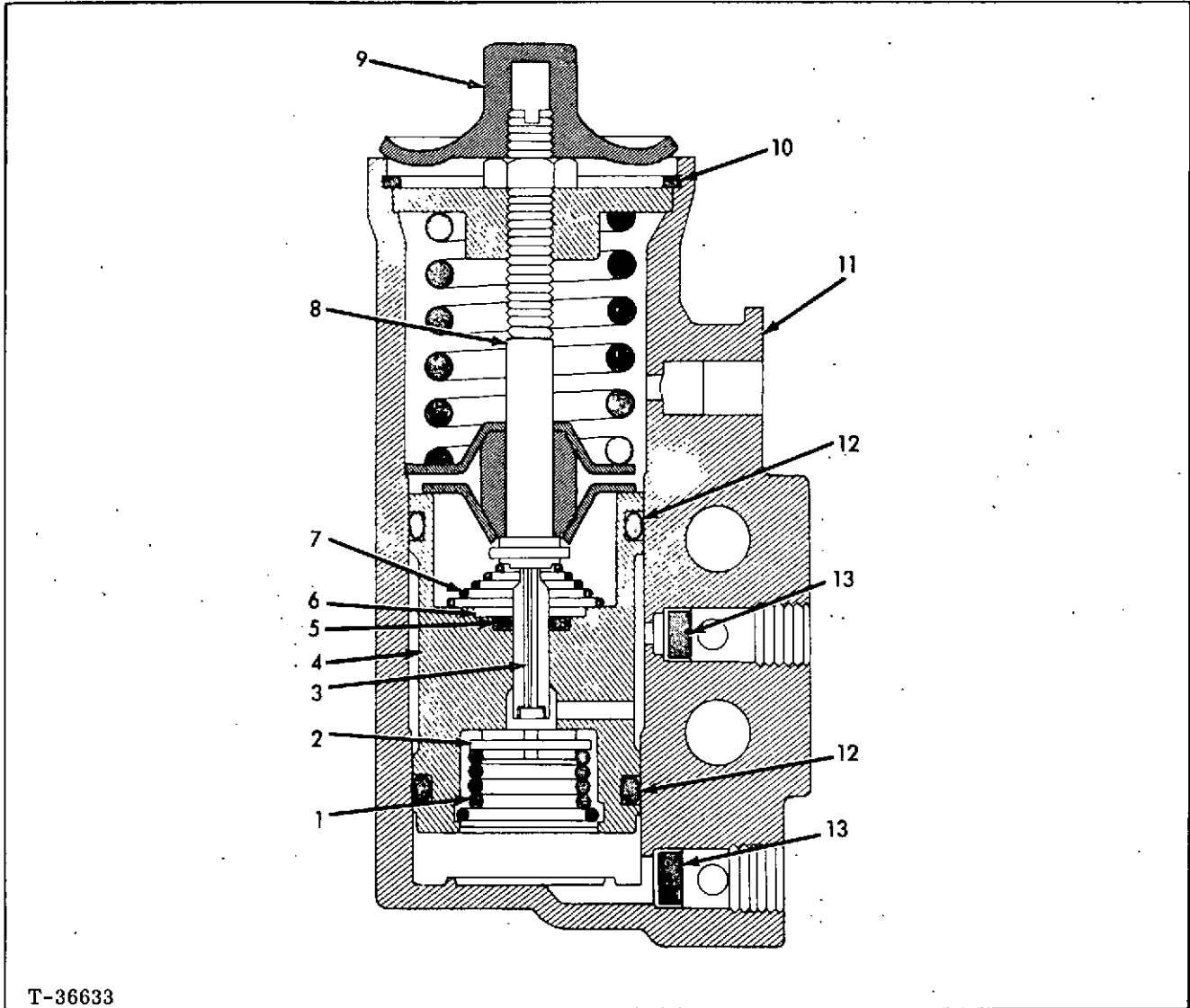
USAGE: See Pages 233 & 255

ITEM	PART NUMBER	QTY.	DESCRIPTION	PACKAGE NO.
1	4040351	1	NUT, crankshaft	
	904004	1	PIN, cotter, 1/8" x 2-1/2" (f/4339480 & 4339481)	
2	4040306	1	SEAL, oil, crankshaft	
3	4040300	1	COVER, front end	
	4050464	4	CAPSCREW, (Special)	
	904205	4	LOCKWASHER, 5/16" (f/4339480 & 4339481)	
	4112723	4	LOCKWASHER, (f/4354443 & 4357538)	
4	4040323	1	GASKET, front end cover	
5	4254151	1	BEARING, ball, rear	
6	4051038	1	CRANKCASE ASSY., (Incl. TUBE) (Serviced only as a unit)	
	903630	2	CAPSCREW, 3/8" NC x 1"	
7	4058845	1	CRANKSHAFT. (f/4354443 & 4357538)	
	4055526	1	CRANKSHAFT. (f/4339480 & 4339481)	
	910545	1	KEY, Hi-Pro, 1/4" x 1"	

Continued

COMPRESSOR CRANKCASE (f/4339480, 4339481, 4354443 & 4357538 ASSYS.) (CONTINUED)
 (Model Tu-Flo 500, 12 Cu. Ft. Capacity)
 (Model Tu-Flo 600, 14.5 Cu. Ft. Capacity)
 10000 & 11000 Power Unit

ITEM	PART NUMBER	QTY.	DESCRIPTION	PACKAGE NO.
8	4055528	1	WASHER, thrust	
9	4055558	1	BEARING, cover (bushing type)	
10	4040322	1	GASKET, rear cover	
11	4055527	1	RING, oil seal	
12	4055529	1	COVER, rear (Incl. Item 9)	
	4055557	4	CAPSCREW, (Special)	
	4050463	4	LOCKWASHER (f/4339480 & 4339481)	
	4112723	4	LOCKWASHER	
	919134	1	PLUG, pipe, 1/8" NPT	(f/4354443 & 4357538)
13	4040550	1	PLUG	
14	4055556	1	O-RING, sealing	
15	4040539	1	GASKET, oil seal	
16	4040305	1	GASKET, crankcase base flange	



T-36633

AIR COMPRESSOR GOVERNOR ASSEMBLIES - 4056278 & 4389823
 10000 & 11000
 Power Unit

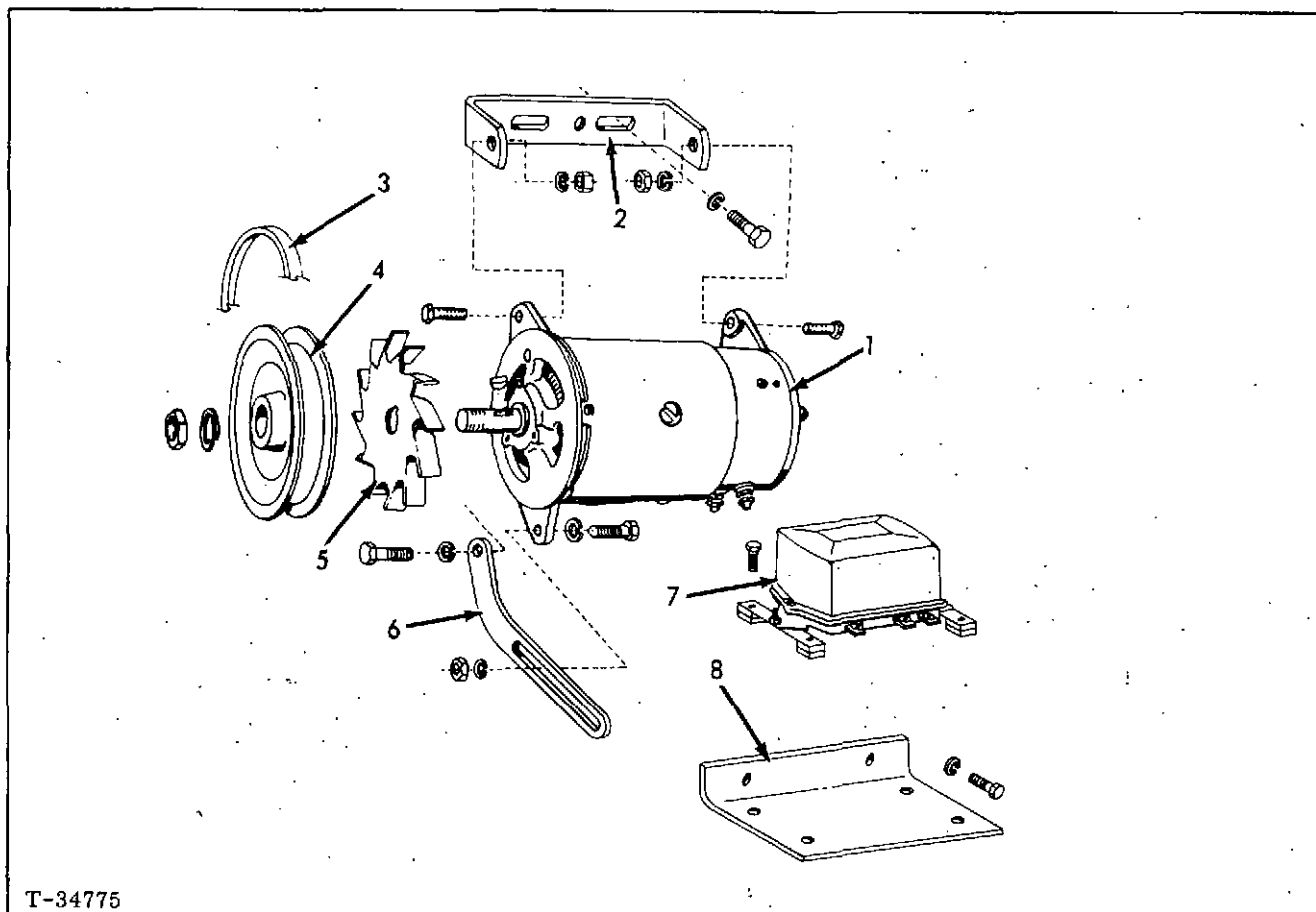
USAGE: See Pages 233 & 255

ITEM	PART NUMBER	QTY.	DESCRIPTION	PACKAGE NO.
1	4055272	1	SPRING, valve	
2	4055273	1	VALVE	
3	4055278	1	STEM, exhaust	
4	4055274	1	PISTON ASSY., (Incl. Items 5 & 6).	
5	4054151	1	GROMMET, piston (Inner)	
6	4055275	1	WASHER, piston	
7	4055279	1	SPRING, exhaust stem	

Continued

AIR COMPRESSOR GOVERNOR ASSEMBLIES - 4056278 & 4389823 (CONTINUED)
 10000 & 11000
 Power Unit

ITEM	PART NUMBER	QTY.	DESCRIPTION	PACKAGE NO.
8	4055276	1	SCREW & SPRING ASSY., adjusting (Incl. SCREW, NUT, SPRING, GUIDE & SEATS) (Serviced only as a unit)	
9	4055277	1	COVER, governor	
10	4055280	1	RING, retaining (4055284 Governor Assy.)	
	4056265	1	RING, retaining (4056278 Governor Assy.)	
11	4055281	1	BODY ASSY., governor (Incl. Item 13)	
	917673	4	PLUG, pipe, ctsk. hex. sock., 1/8" P.T.	
	4055341	2	CAPSCREW, (Special)	
	904205	2	LOCKWASHER, 5/16" (4389823 Governor Assy.)	
	4112723	4	LOCKWASHER, (4056278 Governor Assy.)	
12	4055283	2	GROMMET, piston (Outer)	
13	4055282	2	FILTER, body	
14	4040345	1	GASKET, governor mounting (Not Illustrated) (Not Incl. in Governor Assy.)	



T-34775

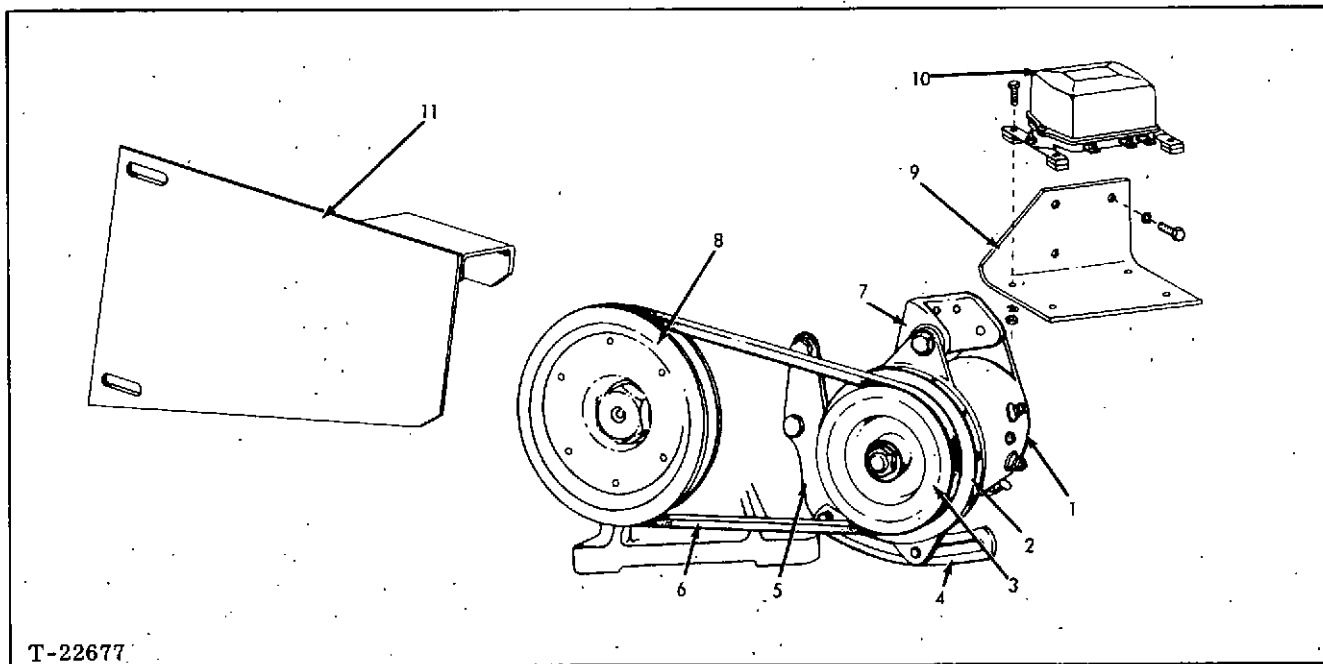
GENERATOR (4430786)
10000 & 11000
Diesel Electric Set

ITEM	PART NUMBER	QTY.	DESCRIPTION	PACKAGE NO.
1	4336809	1	GENERATOR ASSY., (10 Amp.) (Incl. NUT, WASHER & KEY for Pulley) (Delco-Remy No. 1103019) (Order parts from Local United Motors Service Dealer)	
2	4337968	1	BRACKET, generator mounting	
	903638	2	CAPSCREW, 1/2" NC x 1-1/4"	
	912883	2	WASHER, plain, 1/2"	
	904208	2	LOCKWASHER, 1/2"	
	905662	2	CAPSCREW, 5/16" NC x 1-1/8"	
	904205	2	LOCKWASHER, 5/16"	
	911025	2	NUT, 5/16" NC	
3	4613571	1	BELT	
4	4336804	1	PULLEY	
5	4502638	1	FAN	
6	4337969	1	BRACE, generator adjusting	
	915666	1	CAPSCREW, 1/2" NC x 1-3/8"	
	904208	1	LOCKWASHER, 1/2"	
	903771	1	CAPSCREW, 5/16" NC x 7/8"	
	901165	1	WASHER, plain, 5/16"	
	904205	1	LOCKWASHER, 5/16"	

Continued

GENERATOR (4430786) (CONTINUED)
10000 & 11000
Diesel Electric Set

ITEM	PART NUMBER	QTY.	DESCRIPTION	PACKAGE NO.
7	4335737	1	REGULATOR, voltage	
	905818	4	CAPSCREW, 1/4" NC x 1-1/2"	
	904204	4	LOCKWASHER, 1/4"	
	910880	4	NUT, 1/4" NC	
8	4337958	1	BRACKET, mounting, voltage regulator	
	903632	2	CAPSCREW, 3/8" NC x 1-1/2"	
	904206	2	LOCKWASHER, 3/8"	
9	4445472	1	TUBING, plastic (Not Illustrated)	
10	4430705	1	WIRE ASSY., No. 15	(Not Illustrated)
	4430719	1	WIRE ASSY., No. 29	
	4430720	1	WIRE ASSY., No. 30	
	4430721	1	WIRE ASSY., No. 31	
11	-----	1	AMMETER, (Not Illustrated) (Refer to Engine Control Panel)	

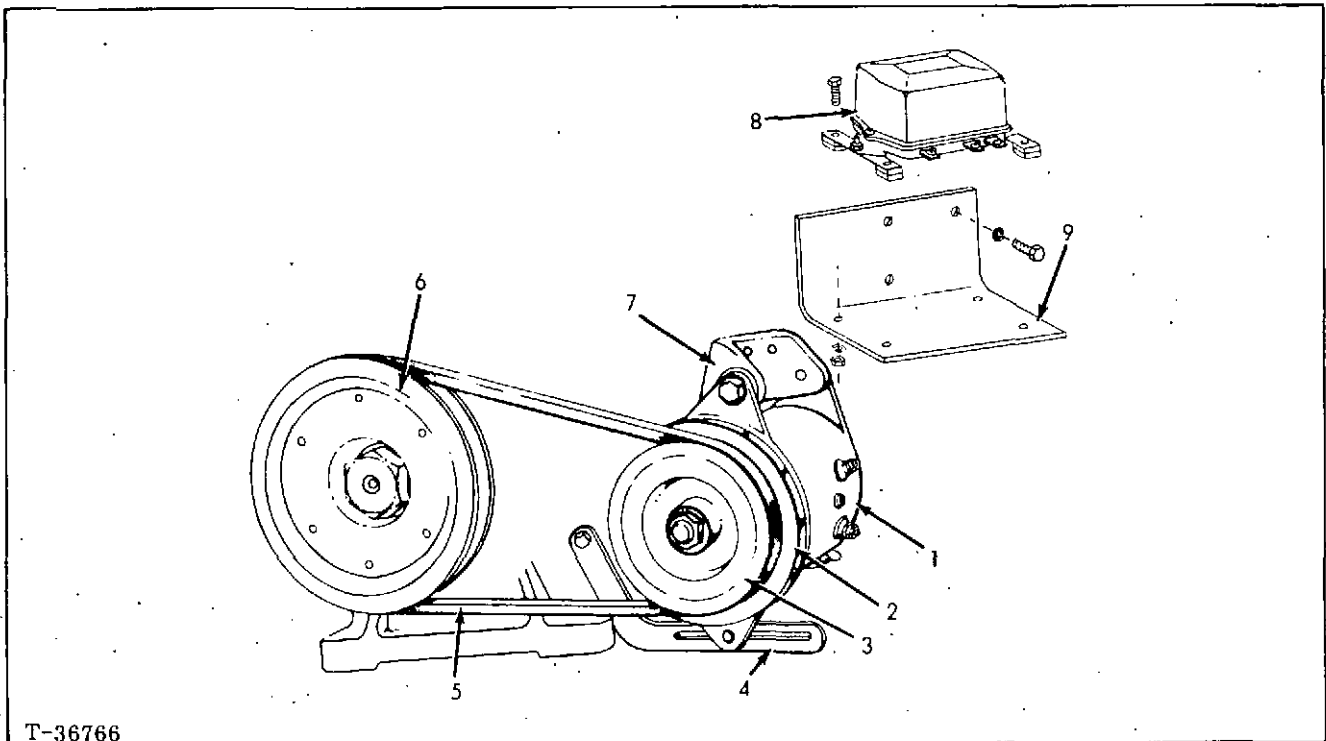


GENERATOR (4430739)
 10000 & 11000
 Diesel Electric Set

ITEM	PART NUMBER	QTY.	DESCRIPTION	PACKAGE NO.
1	4336809	1	GENERATOR ASSY., (10 Amp.) (Incl. KEY, NUT & WASHER for Pulley) (Delco-Remy No. 1103019) (Order parts from Local United Motors Service Dealer)	
2	4502638	1	FAN, generator cooling	
3	4336804	1	PULLEY, generator	
4	4664445	1	LINK, generator adjusting	
	903772	1	CAPSCREW, 5/16" NC x 1" (to Bracket)	
	911025	1	NUT, 5/16" NC	
	903771	1	CAPSCREW, 5/16" NC x 7/8" (to Generator)	
	904205	2	LOCKWASHER, 5/16"	
	901165	1	WASHER, plain, 5/16"	
5	4347963	1	BRACKET, adjusting link	
	903638	1	CAPSCREW, 1/2" NC x 1-1/4"	
	905670	1	CAPSCREW, 1/2" NC x 5"	
	904208	2	LOCKWASHER, 1/2"	
6	4707730	1	BELT, generator drive	
7	4337165	1	BRACKET, generator mounting	
	903638	2	CAPSCREW, 1/2" NC x 1-1/4" (to Gear Cover & Housing)	
	912883	2	WASHER, plain, 1/2"	
	904208	2	LOCKWASHER, 1/2"	
	905662	2	CAPSCREW, 5/16" NC x 1-1/8" (to Generator)	
	904205	2	LOCKWASHER, 5/16"	
	911025	2	NUT, 5/16" NC	
8	-----	1	PULLEY, generator drive (See CRANKSHAFT GROUP)	

GENERATOR (4430739) (CONTINUED)
10000 & 11000
Diesel Electric Set

ITEM	PART NUMBER	QTY.	DESCRIPTION	PACKAGE NO.
9	4337217	1	BRACKET, voltage regulator	
	913717	3	CAPSCREW, 1/2" NC x 1-1/8"	
	904208	3	LOCKWASHER, 1/2"	
	905818	4	CAPSCREW, 1/4" NC x 1-1/2"	
	904204	4	LOCKWASHER, 1/4"	
	910880	4	NUT, 1/4" NC	
10	4335737	1	REGULATOR, voltage & current (Delco-Remy No. 1119164) (Order parts from Local United Motors Service Dealer)	
11	4430646	1	GUARD, charging generator	
	905656	2	CAPSCREW, 1/4" NC x 5/8"	
	904204	2	LOCKWASHER, 1/4"	
	913168	2	WASHER, plain, 1/4"	
	910880	2	NUT, 1/4" NC	
12	4430705	1	WIRE ASSY., No. 15	} (Not Illustrated)
13	4430719	1	WIRE ASSY., No. 29	
14	4430720	1	WIRE ASSY., No. 30	
15	4430721	1	WIRE ASSY., No. 31	
16	4445472	1	TUBE, plastic	
17	-----	1	AMMETER (See Engine Control Panel)	



T-36766

**GENERATOR
10000 & 11000
Power Unit**

Used w/Water Cooled Manifold & Heat Exchanger
* 24 Volt, 10 Amp., Low Mounted (4337956)
** 24 Volt, 18 Amp., Low Mounted (4337957)

ITEM	PART NUMBER	QTY. * **	DESCRIPTION	PACKAGE NO.	
1	4336809	1 -	GENERATOR ASSY., (10 Amp.) (Incl. KEY, NUT & WASHER for Pulley) (Delco-Remy No. 1103019) (Order parts from Local United Motors Service Dealer)		
	905662	2 -	CAPSCREW, 5/16" NC x 1-1/8" (to Bracket)		
	904205	2 -	LOCKWASHER, 5/16"		
	911025	2 -	NUT, 5/16" NC		
	4347982	- 1	GENERATOR ASSY., (18 Amp.) (Incl. KEY, NUT & WASHER for Pulley) (Delco-Remy No. 1105988) (Order parts from Local United Motors Service Dealer)		
	904706	- 2	CAPSCREW, 7/16" NC x 1-1/4" (to Bracket)		
	904207	- 2	LOCKWASHER, 7/16"		
	912201	- 2	NUT, 7/16" NC		
	2	4502638	1 1	FAN, generator	
	3	4336804	1 1	PULLEY, generator	
4	4337969	1 1	BRACE, adjusting, generator		
	915666	1 1	CAPSCREW, 1/2" NC x 1-3/8" (to Cover)		
	904208	1 1	LOCKWASHER, 1/2"		
	903771	1 -	CAPSCREW, 5/16" NC x 7/8" (to Generator)		
	901165	1 -	WASHER, plain, 5/16"		
	904205	1 -	LOCKWASHER, 5/16"		
	903775	- 1	CAPSCREW, 3/8" NC x 7/8" (to Generator)		
	900817	- 1	WASHER, plain, 3/8"		
	904206	- 1	LOCKWASHER, 3/8"		

Continued

GENERATOR (CONTINUED)

10000 & 11000

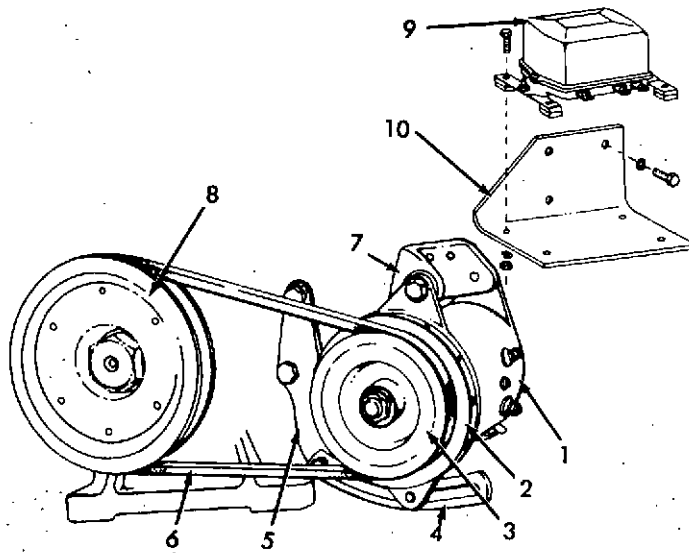
Power Unit

Used w/Water Cooled Manifold & Heat Exchanger

* 24 Volt, 10 Amp., Low Mounted (4337956)

** 24 Volt, 18 Amp., Low Mounted (4337957)

ITEM	PART NUMBER	QTY.		DESCRIPTION	PACKAGE NO.
		*	**		
5	4613571	1	-	BELT, generator drive	
	4707730	-	1	BELT, generator drive	
6	-----	1	1	PULLEY, generator drive (See CRANKSHAFT GROUP)	
7	4337968	1	-	BRACKET, mounting, generator	
	4336470	-	1	BRACKET, mounting, generator	
	903638	2	2	CAPSCREW, 1/2" NC x 1-1/4" (to Gear Cover)	
	904208	2	2	LOCKWASHER, 1/2"	
	912883	2	2	WASHER, plain, 1/2"	
8	4335737	1	-	REGULATOR, voltage (Delco-Remy No. 1119164) (Order parts from Local United Motors Service Dealer)	
	4375471	-	1	REGULATOR, voltage (Delco-Remy No. 1119177) (Order parts from Local United Motors Service Dealer)	
	905818	4	4	CAPSCREW, 1/4" NC x 1-1/2"	
	904204	4	4	LOCKWASHER, 1/4"	
	910880	4	4	NUT, 1/4" NC	
9	4337958	1	1	BRACKET, regulator mounting	
	903632	2	2	CAPSCREW, 3/8" NC x 1-1/2"	
	904206	2	2	LOCKWASHER, 3/8"	
10	-----	1	1	AMMETER (See INSTRUMENTS & PANELS) (Not Illustrated)	



HT-50129

GENERATOR
10000 & 11000

Power Unit & Diesel Electric Set

* 24 Volt, 10 Amp., Low Mount (4336966)

** 24 Volt, 18 Amp., Low Mount (4336967)

ITEM	PART NUMBER	QTY. * **	DESCRIPTION	PACKAGE NO.
1	4336809	1 -	GENERATOR ASSY., (10 Amp.) (Incl. KEY, NUT & WASHER for Pulley) (Delco-Remy No. 1103019) (Order parts from Local United Motors Service Dealer)	
	4347982	- 1	GENERATOR ASSY., (18 Amp.) (Incl. KEY, NUT & WASHER for Pulley) (Delco-Remy No. 1105988) (Order parts from Local United Motors Service Dealer)	
2	4502638	1 1	FAN, generator cooling	
3	4336804	1 1	PULLEY, generator	
4	4664445	1 -	LINK, generator adjusting	
	4336177	- 1	LINK, generator adjusting (Prior to Serial No. 124119)	
	4338269	- 1	LINK, generator adjusting (Effective w/Serial No. 124119)	
	903772	1 1	CAPSCREW, 5/16" NC x 1" (to Bracket)	
	911025	1 1	NUT, 5/16" NC	
	903771	1 -	CAPSCREW, 5/16" NC x 7/8" (to Generator)	
	903775	- 1	CAPSCREW, 3/8" NC x 7/8" (to Generator)	
904205	2 1	LOCKWASHER, 5/16"		
904206	- 1	LOCKWASHER, 3/8"		
901165	1 -	WASHER, plain, 5/16"		
900817	- 1	WASHER, plain, 3/8"		
5	4347963	1 1	BRACKET, adjusting link	
	903638	1 1	CAPSCREW, 1/2" NC x 1-1/4"	
	905670	1 1	CAPSCREW, 1/2" NC x 5"	
	904208	2 2	LOCKWASHER, 1/2"	

Continued

GENERATOR (CONTINUED)

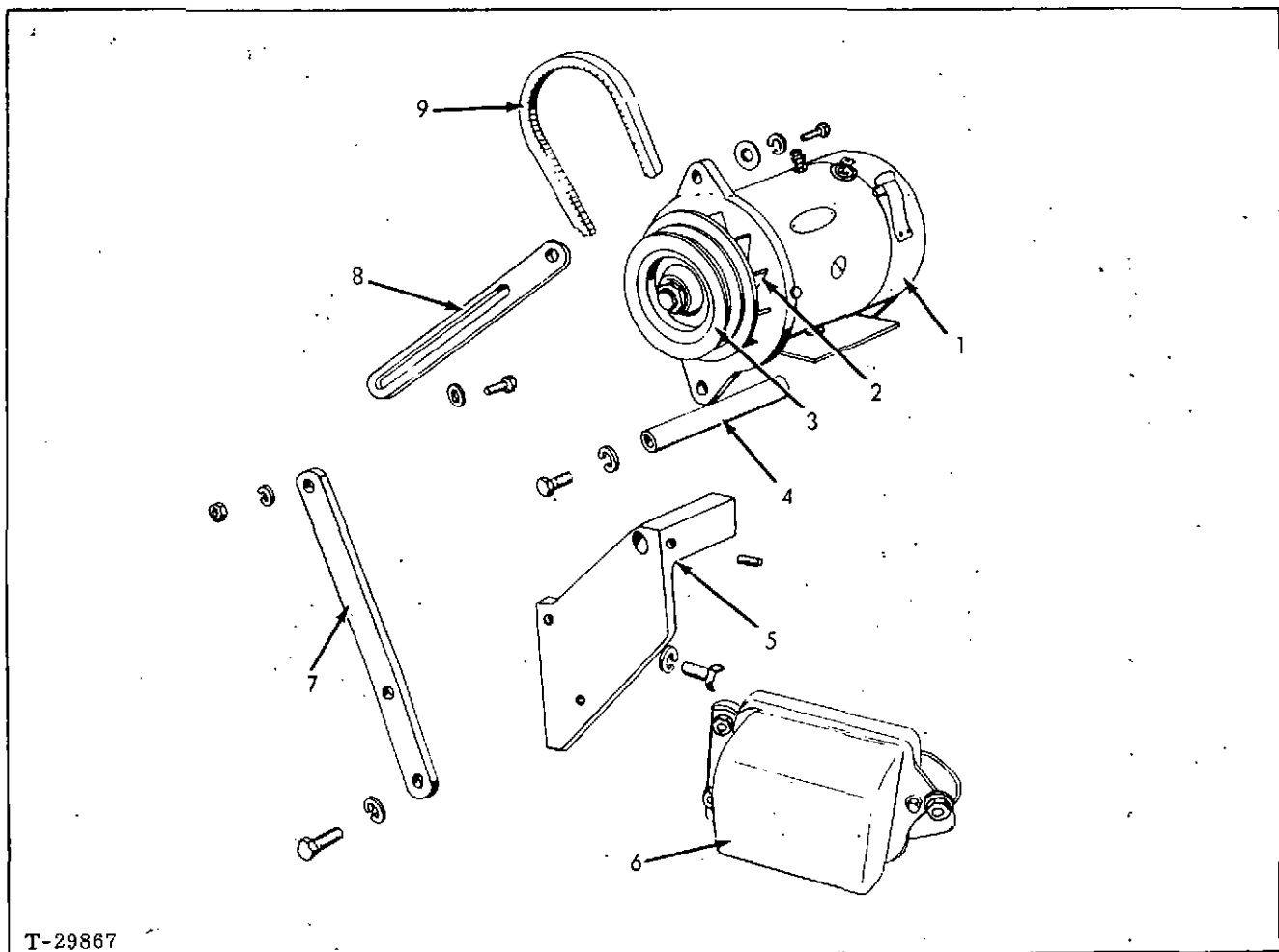
10000 & 11000

Power Unit

* 24 Volt, 10 Amp., Low Mount (4336966)

** 24 Volt, 18 Amp., Low Mount (4336967)

ITEM	PART NUMBER	QTY.		DESCRIPTION	PACKAGE NO.
		*	**		
6	4707730	1	-	BELT, generator drive	
	4378806	-	1	BELT, generator drive	
7	4337968	1	-	BRACKET, generator mounting	
	4337183	-	1	BRACKET, generator mounting	
	903638	2	2	CAPSCREW, 1/2" NC x 1-1/4" (to Gear Cover & Housing)	
	914907	2	-	WASHER, plain, 1/2"	
	912883	2	2	WASHER, plain, 1/2"	
	904208	2	2	LOCKWASHER, 1/2"	
	905662	2	-	CAPSCREW, 5/16" NC x 1-1/8" (to Generator)	
	904706	-	2	CAPSCREW, 7/16" NC x 1-1/4" (to Generator)	
	904205	2	-	LOCKWASHER, 5/16"	
	904207	-	2	LOCKWASHER, 7/16"	
	911025	2	-	NUT, 5/16" NC	
912201	-	2	NUT, 7/16" NC		
911993	-	1	SPACER, generator to bracket (at Rear)		
8	-----	1	1	PULLEY, generator drive (See CRANKSHAFT GROUP)	
9	4335737	1	-	REGULATOR, voltage & current (Delco-Remy No. 1119164) (Order parts from Local United Motors Service Dealer)	
	4375471	-	1	REGULATOR, voltage & current (Prior to Serial No. 120815) (Delco-Remy No. 1119177) (Order parts from Local United Motors Service Dealer)	
	4348208	-	1	REGULATOR, voltage & current (Effective w/Serial No. 120815) (Delco-Remy No. 1118793) (Order parts from Local United Motors Service Dealer)	
10	4337217	1	1	BRACKET, voltage regulator	
	913717	2	2	CAPSCREW, 1/2" NC x 1-1/8"	
	904208	2	2	LOCKWASHER, 1/2"	
	905818	4	4	CAPSCREW, 1/4" NC x 1-1/2"	
	904204	4	4	LOCKWASHER, 1/4"	
	910880	4	4	NUT, 1/4" NC	
11	-----	1	1	AMMETER (See INSTRUMENTS & PANELS) (Not Illustrated)	



T-29867

**GENERATOR
10000 & 11000
Power Unit**

* 24 Volt, 10 Amp., High Mount (4336968)
** 24 Volt, 18 Amp., High Mount (4336969)

ITEM	PART NUMBER	QTY.		DESCRIPTION	PACKAGE NO.
		*	**		
1	4336809	1	-	GENERATOR ASSY., (10 Amp.) (Incl. KEY, NUT & WASHER for Pulley) (Delco-Remy No. 1103019) (Order parts from Local United Motors Service Dealer)	
	4347982	-	1	GENERATOR ASSY., (18 Amp.) (Incl. KEY, NUT & WASHER for Pulley) (Delco-Remy No. 1105988) (Order parts from Local United Motors Service Dealer)	
2	4502638	1	1	FAN, generator cooling	
3	4336804	1	1	PULLEY, generator	
4	4662520	1	-	BAR, generator support	
	4374627	-	1	BAR, generator support	
	902871	1	1	SETSCREW, 3/8" NC x 1/2"	
	903772	2	-	CAPSCREW, 5/16" NC x 1"	
	904706	-	2	CAPSCREW, 7/16" NC x 1-1/4"	
	904205	2	-	LOCKWASHER, 5/16"	
	904207	-	2	LOCKWASHER, 7/16"	

Continued

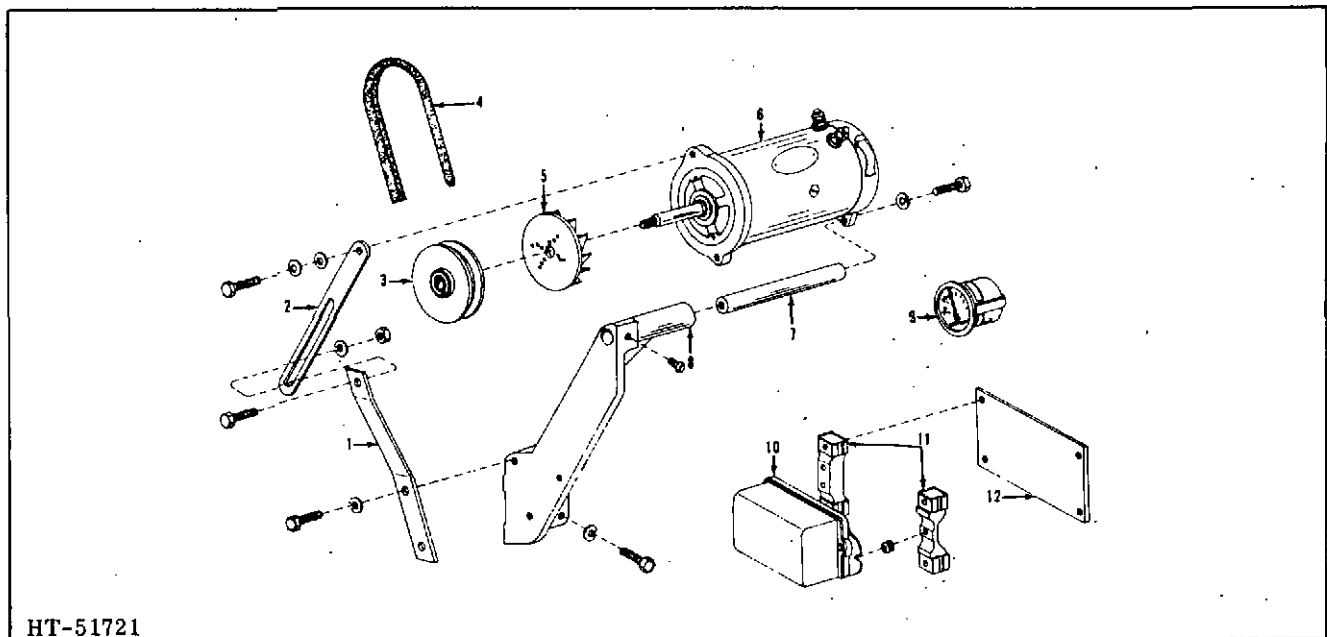
GENERATOR (CONTINUED)

10000 & 11000
Power Unit

* 24 Volt, 10 Amp., High Mount (4336968)

** 24 Volt, 18 Amp., High Mount (4336969)

ITEM	PART NUMBER	QTY.		DESCRIPTION	PACKAGE NO.
		*	**		
5	4337888	1	1	BRACKET, generator mounting	
	903639	3	3	CAPSCREW, 1/2" NC x 1-1/2"	
	904208	3	3	LOCKWASHER, 1/2"	
6	4335737	1	-	REGULATOR, voltage & current (Delco-Remy No. 1119164) (Order parts from Local United Motors Service Dealer)	
	4375471	-	1	REGULATOR, voltage & current (Delco-Remy No. 1119177) (Order parts from Local United Motors Service Dealer) (Prior to Serial No. 120815)	
	4348208	-	1	REGULATOR, voltage & current (Delco-Remy No. 1118793) (Order parts from Local United Motors Service Dealer) (Effective w/Serial No. 120815)	
7	4336873	1	1	SUPPORT, adjusting brace	
	903637	2	2	CAPSCREW, 1/2" NC x 1"	
	904208	2	2	LOCKWASHER, 1/2"	
8	4336795	1	1	BRACE, generator adjusting	
	903631	1	1	CAPSCREW, 3/8" NC x 1-1/4" (to Support)	
	903630	-	1	CAPSCREW, 3/8" NC x 1" (to Generator)	
	903771	1	-	CAPSCREW, 5/16" NC x 7/8" (to Generator)	
	904206	1	2	LOCKWASHER, 3/8"	
	904205	1	-	LOCKWASHER, 5/16"	
	900817	-	1	WASHER, plain, 3/8" (at Generator)	
	901165	1	-	WASHER, plain, 5/16" (at Generator)	
910324	1	1	NUT, 3/8" NC		
9	4613571	1	1	BELT, generator drive	
10	-----	1	1	AMMETER (See INSTRUMENTS & PANELS) (Not Illustrated)	
11	4337887	1	1	BRACKET, mounting, voltage regulator (Not Illustrated)	
	918794	4	4	CAPSCREW, 1/4" NC x 1-3/8"	
	904204	2	4	LOCKWASHER, 1/4"	
	910880	2	2	NUT, 1/4" NC	



HT-51721

GENERATOR (4338533 & 4339494)
10000 & 11000
Power Unit
(High Mounted) (Fan Hub Driven)

ITEM	PART NUMBER	QTY.	DESCRIPTION	PACKAGE NO.
1	4336873	1	SUPPORT, adjusting brace, generator	
	903637	2	CAPSCREW, 1/2" NC x 1"	
	904208	2	LOCKWASHER, 1/2"	
2	4336795	1	BRACE, generator adjusting	
	903630	1	CAPSCREW, 3/8" NC x 1" (Brace to Generator)	
	904206	1	LOCKWASHER, 3/8"	
	900817	1	WASHER, plain, 3/8"	
	903631	1	CAPSCREW, 3/8" NC x 1-1/4 (General Adjusting)	
	904206	1	LOCKWASHER, 3/8"	
	910324	1	NUT, 3/8" NC.	
3	4379623	1	PULLEY, generator	
4	4707727	1	BELT, generator drive	
5	4364777	1	FAN, generator	
6	4344912	1	GENERATOR, 12 volt, 50 amp. (Incl. KEY, NUT & WASHER for Pulley) (Delco-Remy No. 1106822) (Order parts from Local United Motors Service Dealer)	
	904706	2	CAPSCREW, 7/16" NC x 1-1/4"	
	904207	2	LOCKWASHER, 7/16"	
7	4372905	1	SHAFT, generator support	
	902871	1	SETSCREW, 3/8" NC x 1/2"	
8	4337888	1	BRACKET, generator support	
	903639	3	CAPSCREW, 1/2" NC x 1-1/2"	
	904208	3	LOCKWASHER, 1/2"	
9	4365564	1	AMMETER	

Continued

279

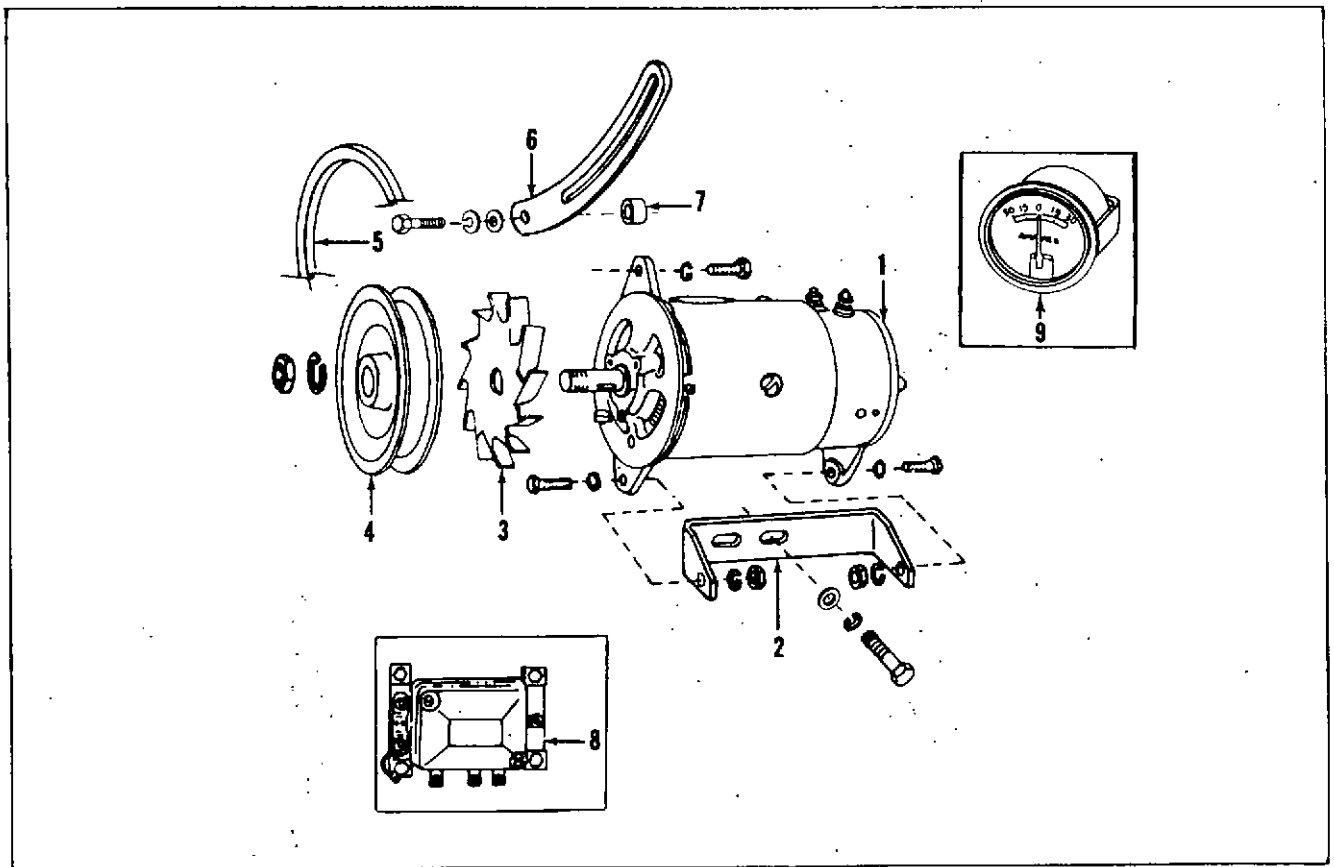
GENERATOR (4338533 & 4339494) (CONTINUED)

10000 & 11000

Power Unit

(High Mounted) (Fan Hub Driven)

ITEM	PART NUMBER	QTY.	DESCRIPTION	PACKAGE NO.
10	4055175	1	REGULATOR, voltage (Delco-Remy No. 1119156) (Order parts from Local United Motors Service Dealer)	
11	4664290	1	MOUNT ASSY., shock, regulator	
12	4337887	1	BRACKET, voltage regulator (4339494)	
	918794	4	CAPSCREW, 1/4" NC x 1-3/8"	
	904204	2	LOCKWASHER, 1/4"	
	910880	2	NUT, 1/4" NC	

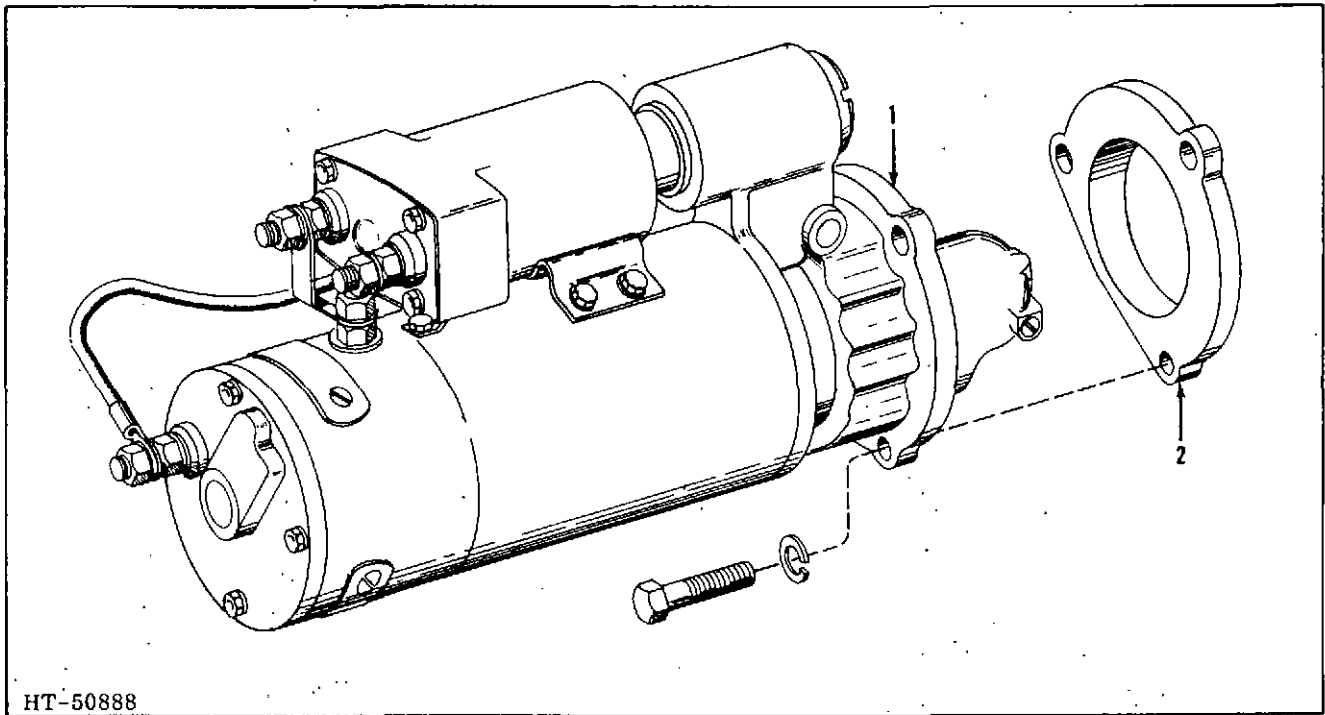


GENERATOR - LOW MOUNT
10000 & 11000 Power Unit
(4354933)

ITEM	PART NUMBER	QTY.	DESCRIPTION	PACKAGE NO.
1	4336809	1	GENERATOR, 24 volt, 10 amp. (Incl. KEY, NUT & WASHER for pulley) (Delco-Remy No. 1103019) (Order parts from local United Motors service Dealer)	
	915807	2	CAPSCREW, 5/16" NC x 1-1/4"	
	904205	2	LOCKWASHER, 5/16"	
	910323	2	NUT, 5/16" NC	
2	4337327	1	BRACKET, generator	
	916311	2	CAPSCREW, 1/2" NC x 1-1/4"	
	904208	2	LOCKWASHER, 1/2"	
	912333	2	WASHER, plain, 1/2"	
3	4513922	1	FAN, generator	
4	4336804	1	PULLEY, generator	
5	4337328	1	BELT, generator drive	
6	4338269	1	BRACE, generator adjusting	
	914392	1	CAPSCREW, 5/16" NC x 1"	
	904205	1	LOCKWASHER, 5/16"	
	911421	1	WASHER, plain, 3/8"	
	920275	1	CAPSCREW, 3/8" NC x 3"	
	904206	1	LOCKWASHER, 3/8"	

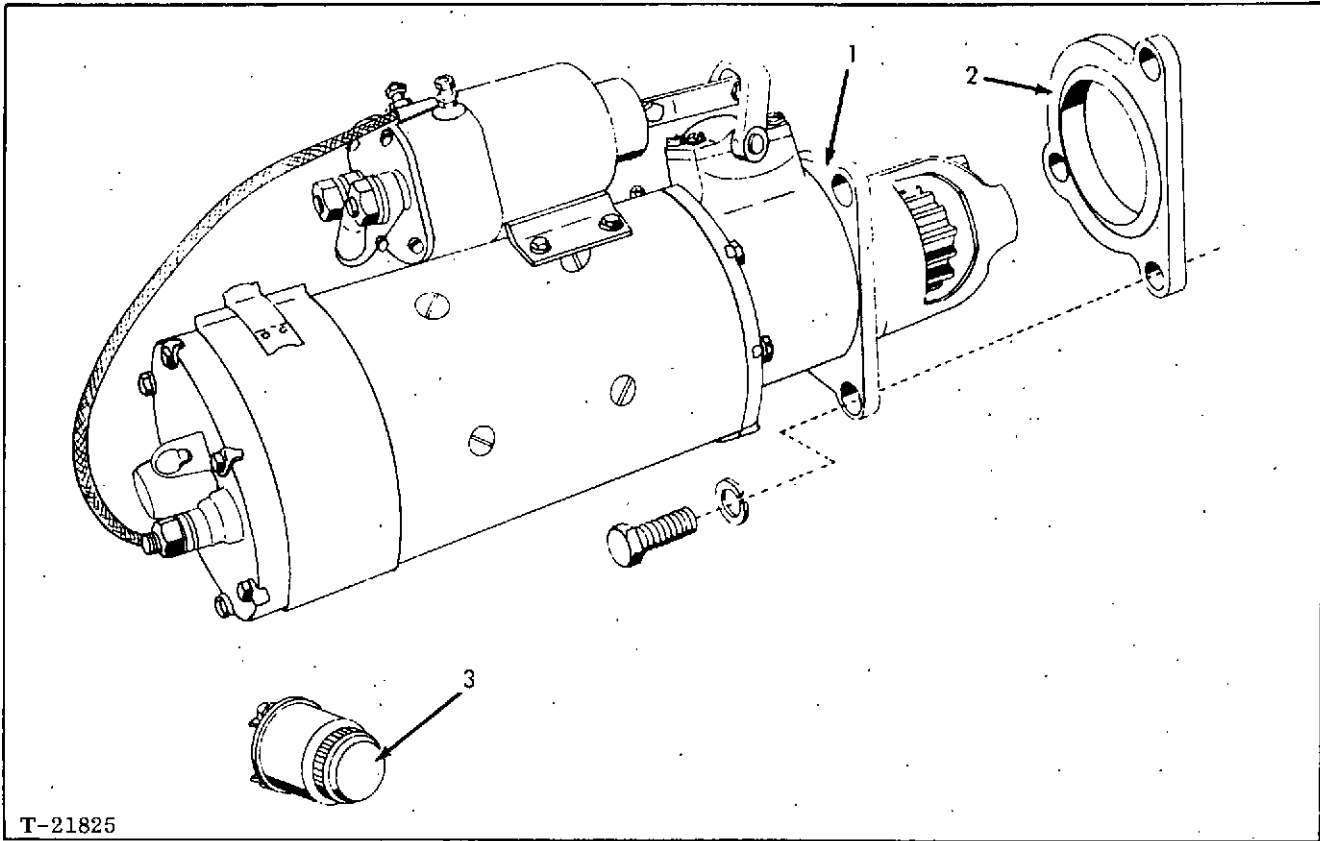
GENERATOR - LOW MOUNT (CONTINUED)
10000 & 11000 Power Unit
(4354933)

ITEM	PART NUMBER	QTY.	DESCRIPTION	PACKAGE NO.
7	4385117	1	SPACER, adjusting brace	
8	4335737	1	REGULATOR, voltage & current (Delco-Remy No. 1119164) (Order parts from local United Motors Service Dealer)	
9	4016592	1	AMMETER	



STARTER (4339493)
11000
Power Unit

ITEM	PART NUMBER	QTY.	DESCRIPTION	PACKAGE NO.
1	4338264	1	STARTER ASSY., (Delco-Remy No. 1114055) (Order parts from Local United Motors Service Dealer)	
	915963	3	CAPSCREW, 5/8" NC x 2-1/4"	
	904209	3	LOCKWASHER, 5/8"	
2	4346320		ADAPTOR, starter	
3	4362868	1	SWITCH, push button	} (Not Illustrated)
4	4757673	1	BOOT, solenoid, battery terminal	

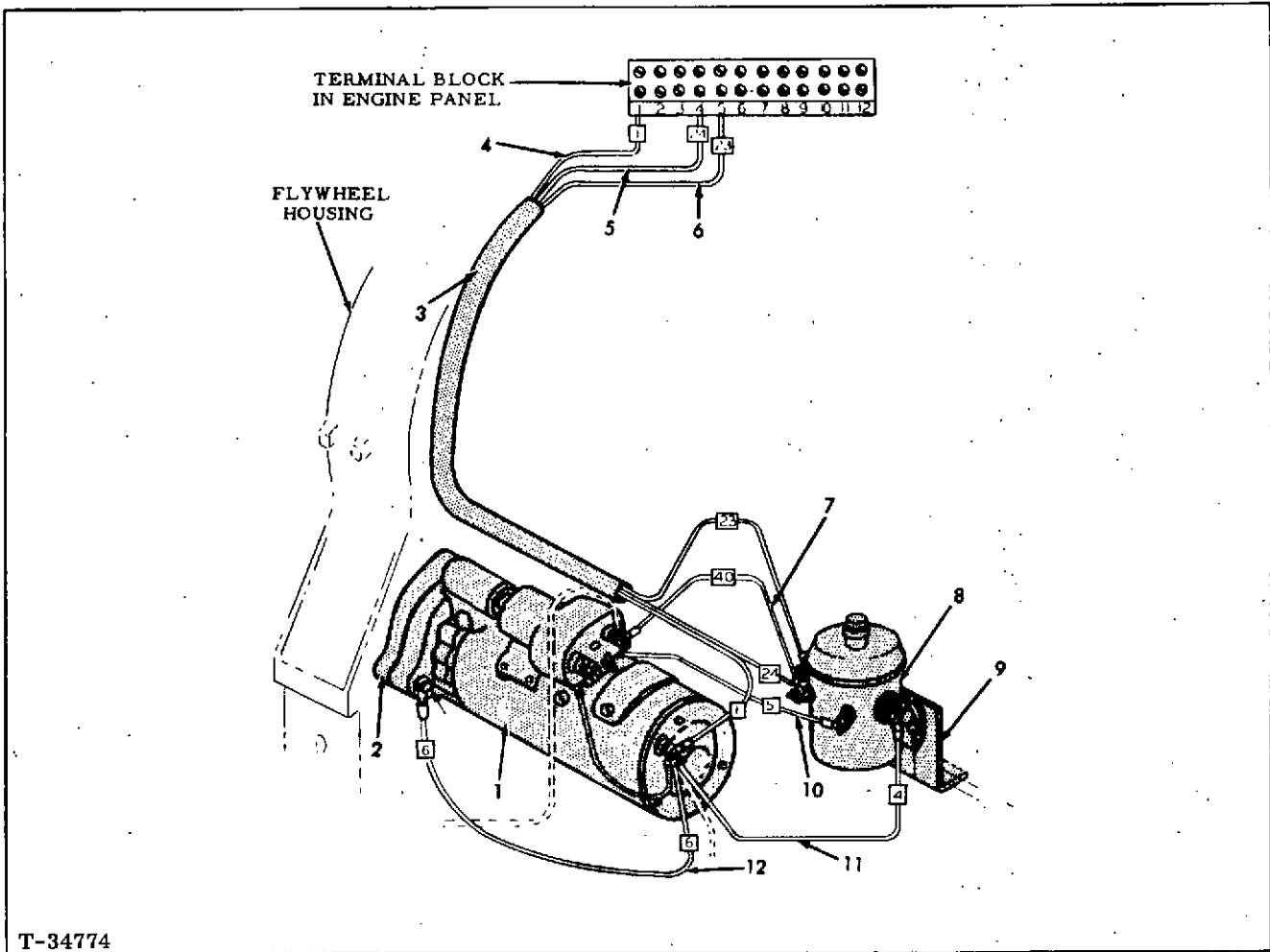


STARTER
10000 & 11000
Power Unit

ITEM	PART NUMBER	QTY.	DESCRIPTION	PACKAGE NO.
1	4358472	1	MOTOR, starting, 24 volt (Delco-Remy No. 1113708) (Incl. MAGNETIC SWITCH) (Requires Flywheel w/Ring Gear for Dyer Drive) (Order parts from Local United Motors Service Dealer) (4349427)	
	4379655	1	MOTOR, starting, 24 volt (Delco-Remy No. 1113855) (Incl. MAGNETIC SWITCH & SPRAG OVERRUNNING CLUTCH) (Requires Flywheel w/Ring Gear for Bendix Drive) (Order parts from Local United Motors Service Dealer) (4336965) (Prior to Serial No. 10-10590 & 11-10011)	
	4387600	1	MOTOR, starting, 24 volt (Delco-Remy No. 1113855) (Incl. MAGNETIC SWITCH & SPRAG OVERRUNNING CLUTCH) (Requires Flywheel w/Ring Gear for Bendix Drive) (Order parts from Local United Motors Service Dealer) (4336965) (Effective w/Serial No. 10-10590 & 11-10011)	
	4339892	1	MOTOR, starting, 12 volt (Delco-Remy No. 1114072) (Incl. MAGNETIC SWITCH & SPRAG OVERRUNNING CLUTCH) (Requires Flywheel w/Ring Gear for Bendix Drive) (Order parts from Local United Motors Service Dealer) (4339906)	
	915963	3	CAPSCREW, 5/8" NC x 2-1/4"	
	904209	3	LOCKWASHER, 5/8"	

STARTER (CONTINUED)
10000 & 11000
Power Unit

ITEM	PART NUMBER	QTY.	DESCRIPTION	PACKAGE NO.
2	4346320	1	ADAPTOR, starting motor	
3	4362868	1	SWITCH, push button	
4	4369633	2	GASKET, starting motor (4339268) (4338095) (Not Illustrated)	
5	4757673	1	BOOT, solenoid, battery terminal (4339906) (Not Illustrated)	
6	4445990	1	CABLE ASSY., ground (4336965) (Not Illustrated)	



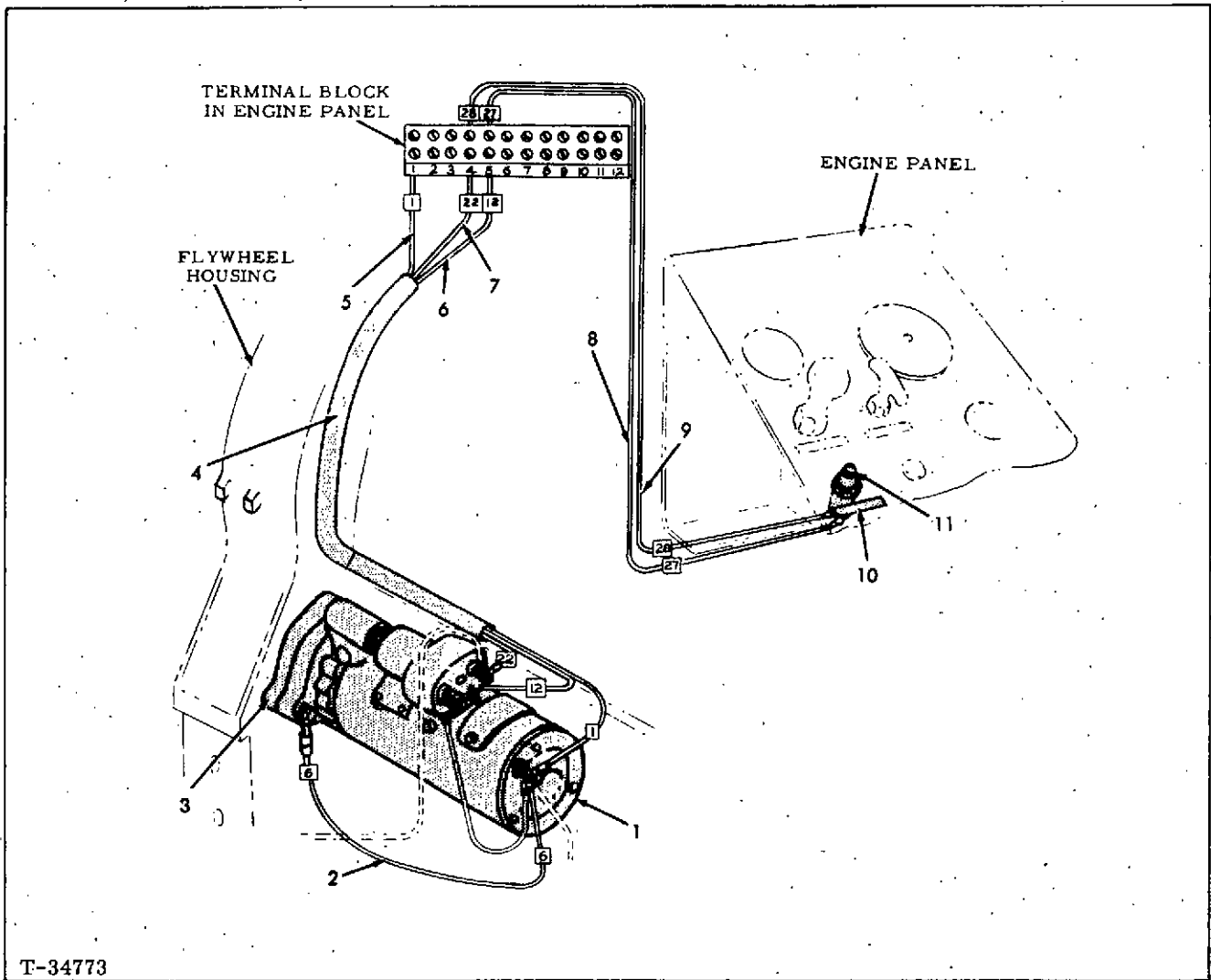
T-34774

STARTER - AUTOMATIC (4430752)
 10000 & 11000
 Diesel Electric Set

ITEM	PART NUMBER	QTY.	DESCRIPTION	PACKAGE NO.
1	4379655	1	STARTER, 24 volt (Delco-Remy No. 1113855) (Incl. MAGNETIC SWITCH) (Order parts from Local United Motors Service Dealer) (Used Prior to Serial No. 117223)	
	4385463	1	STARTER, 24 volt (Delco-Remy No. 1113892) (Incl. MAGNETIC SWITCH) (Order parts from Local United Motors Service Dealer) (Effective w/Serial No. 117223 thru 10-10248 & 11-10028)	
	4387601	1	STARTER, 24 volt (Delco-Remy No. 1113892) (Incl. MAGNETIC SWITCH) (Order parts from Local United Motors Service Dealer) (Effective w/Serial No. 10-10249 & 11-10029)	
	905819	3	CAPSCREW, 5/8" NC x 2-1/4"	
	904209	3	LOCKWASHER, 5/8"	
2	4346320	1	ADAPTOR, starter	
3	4445472	1	TUBE, plastic	

STARTER - AUTOMATIC (4430752) (CONTINUED)
 10000 & 11000
 Diesel Electric Set

ITEM	PART NUMBER	QTY.	DESCRIPTION	PACKAGE NO.
4	4430691	1	WIRE ASSY., No. 1	
5	4430714	1	WIRE ASSY., No. 24	
6	4430713	1	WIRE ASSY., No. 23	
7	4430730	1	WIRE ASSY., No. 40	
8	4513207	1	SWITCH, relay, auxiliary starter	
	901172	2	SCREW, rd. hd., No. 10 NC x 1/2"	
	904203	2	LOCKWASHER, No. 10	
	910243	2	WASHER, plain, No. 10	
	901310	2	NUT, No. 10 NC	
9	4430771	1	BRACKET, mounting, relay switch	
10	4430695	1	WIRE ASSY., No. 5	
11	4430694	1	WIRE ASSY., No. 4	
12	4430696	1	WIRE ASSY., No. 6	



STARTER - MANUAL
 10000 & 11000
 Diesel Electric Set
 * (4430751)
 ** (4430815)

ITEM	PART NUMBER	QTY.		DESCRIPTION	PACKAGE NO.
		*	**		
1	4379655	1	-	STARTER, 24 volt (Delco-Remy No. 1113855) (Incl. MAGNETIC SWITCH) (Order parts from Local United Motors Service Dealer) (Prior to Serial No. 117223)	
	4385463	1	-	STARTER, 24 volt (Delco-Remy No. 1113892) (Incl. MAGNETIC SWITCH) (Order parts from Local United Motors Service Dealer) (Effective w/Serial No. 117223 thru 10-10248 & 11-10028)	
	4387601	1	1	STARTER, 24 volt (Delco-Remy No. 1113892) (Incl. MAGNETIC SWITCH) (Order parts from Local United Motors Service Dealer) (Effective w/Serial No. 10-10249 & 11-10029)	
	919376	3	3	CAPSCREW, 5/8" NC x 2-1/4"	
	917373	3	3	LOCKWASHER, 5/8"	

STARTER - MANUAL (CONTINUED)

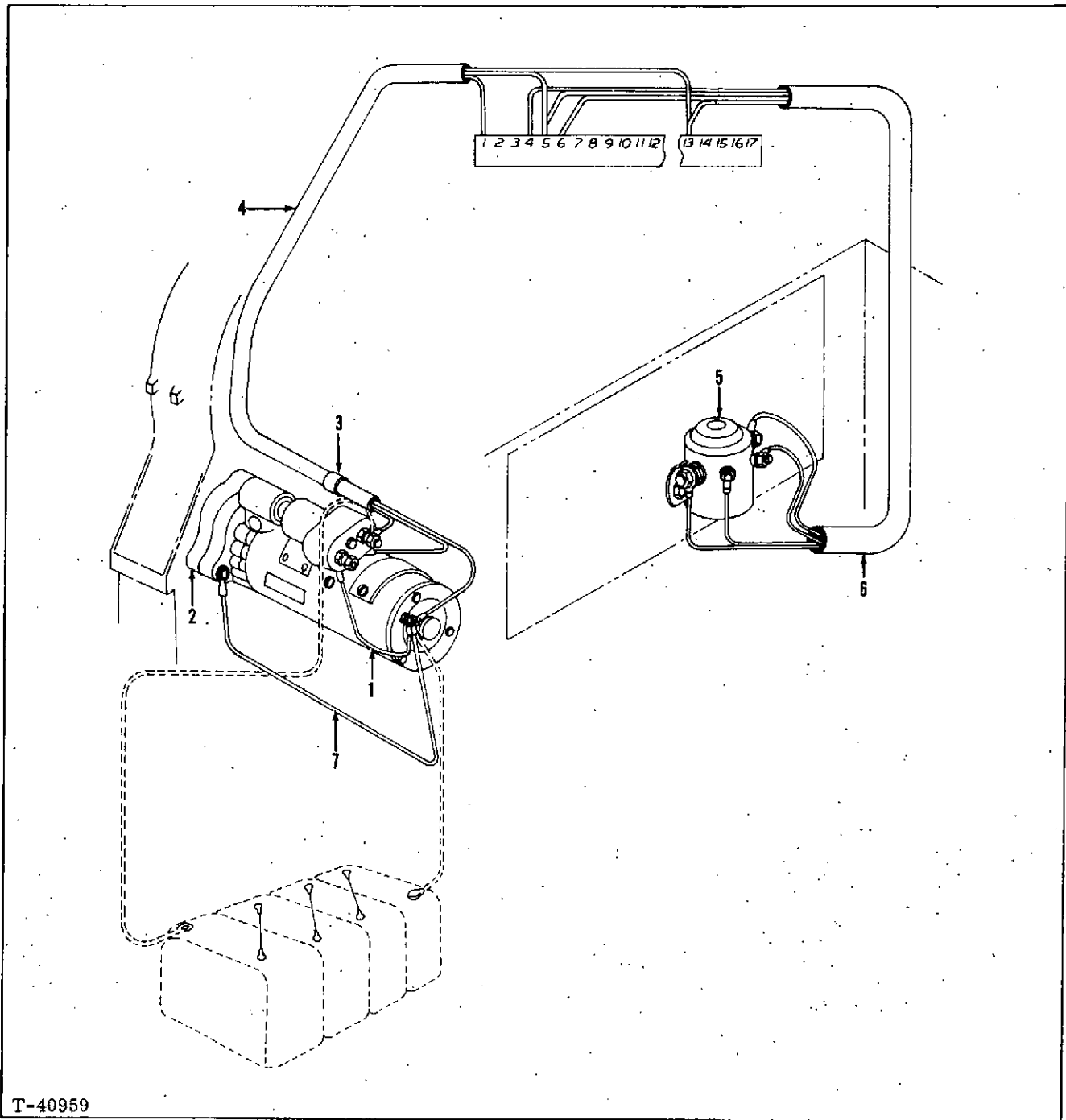
10000 & 11000

Diesel Electric Set

* (4430751)

** (4430815)

ITEM	PART NUMBER	QTY.		DESCRIPTION	PACKAGE NO.
		*	**		
2	4430696	1	-	WIRE ASSY., No. 6	
	4430935	-	1	WIRE ASSY., No. 27	
3	4346320	1	1	ADAPTOR, starter	
4	4445472	1	-	TUBE, plastic	
	4430812	-	1	HARNESS, wiring	
	4251645	-	1	CLAMP	
5	4430691	1	-	WIRE ASSY., No. 1	
6	4430702	1	-	WIRE ASSY., No. 12	
7	4430712	1	-	WIRE ASSY., No. 22	
8	4430717	1	-	WIRE ASSY., No. 27	
9	4430718	1	-	WIRE ASSY., No. 28	
10	4461045	-	1	PLATE, name (Starter)	
11	4362868	1	1	SWITCH, push button	

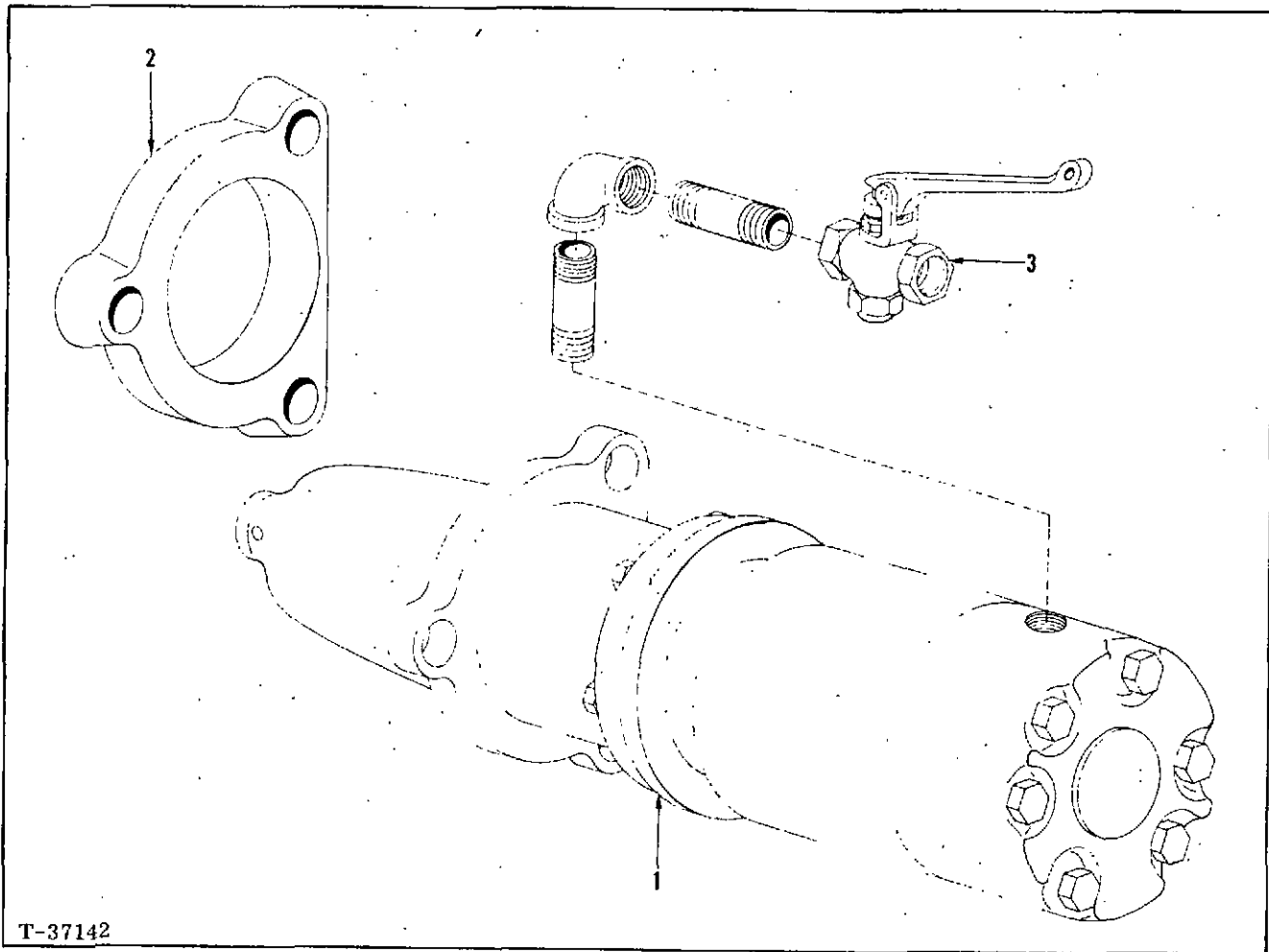


STARTER - AUTOMATIC (4430816)
 10000 & 11000
 Diesel Electric Set

ITEM	PART NUMBER	QTY.	DESCRIPTION	PACKAGE NO.
1	4387601	1	STARTER, 24 volt (Delco-Remy No. 1113892) (Incl. MAGNETIC SWITCH) (Order parts from Local United Motors Service Dealer)	
	919376	3	CAPSCREW, 5/8" NC x 2-1/4"	
	917373	3	LOCKWASHER, 5/8"	
2	4346320	1	ADAPTOR, starter	

STARTER - AUTOMATIC (4430816) (CONTINUED)
 10000 & 11000
 Diesel Electric Set

ITEM	PART NUMBER	QTY.	DESCRIPTION	PACKAGE NO.
3	4251645	1	CLAMP, harness	
4	4430812	1	HARNESS, wiring, starter	
5	4431047	1	RELAY, auxiliary starter	
	907727	2	CAPSCREW, 1/4" NC x 5/8"	
	917377	2	WASHER, 1/4"	
	916964	2	LOCKWASHER, 1/4"	
	916622	2	NUT, 1/4" NC	
6	4430940	1	HARNESS, wiring relay	
7	4430935	1	WIRE ASSY., No. 1	
8	4406921	1	SWITCH, stop (Not Illustrated)	



T-37142

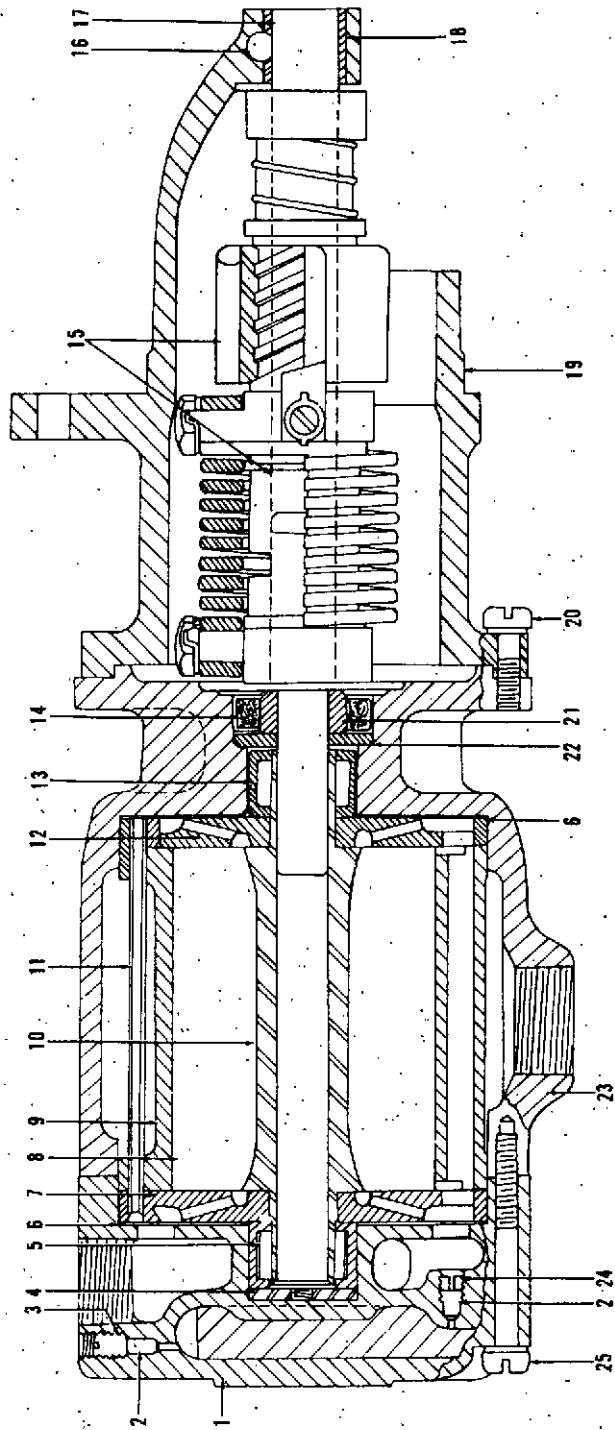
AIR STARTER
10000 & 11000

Power Unit & Diesel Electric Set

* (4338731, 4 O'clock Starter Position)

** (4338732, 9 O'clock Starter Position)

ITEM	PART NUMBER	QTY:		DESCRIPTION	PACKAGE NO.
		*	**		
1	4338728	1	-	STARTER ASSY., air (See Page 294 for Components)	
	4338729	-	1	STARTER ASSY., air (See Page 294 for Components)	
	905819	3	3	CAPSCREW, 5/8" NC x 2-1/4"	
	904209	3	3	LOCKWASHER, 5/8"	
	901512	1	1	NIPPLE, 3/4" x 2-1/2" (Starter to Elbow)	
	912556	1	1	ELBOW, reducer, 3/4" x 1"	
	901521	1	1	NIPPLE, 1" x 2" (Elbow to Valve)	
2	4346320	1	1	ADAPTOR, starter mounting	
3	4460070	1	1	VALVE, quick opening	

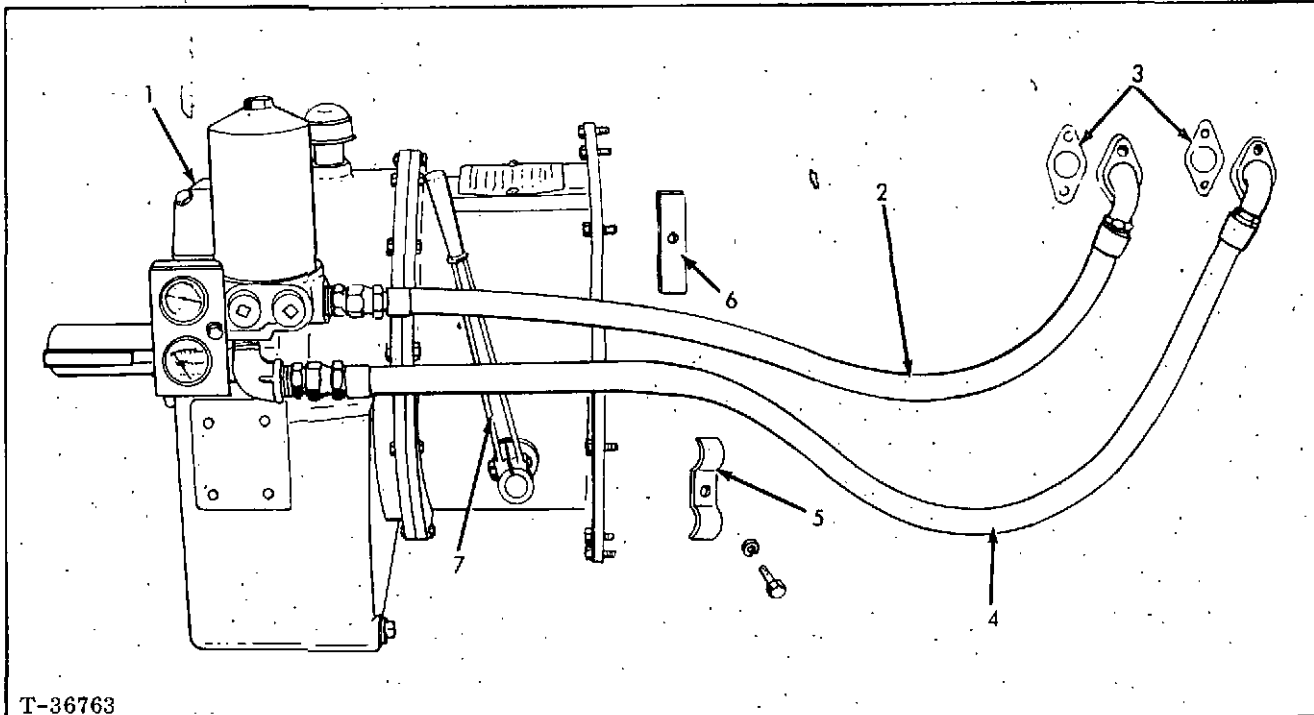


T-37141

AIR STARTER ASSEMBLY - 4338728 & 4338729

AIR STARTER ASSEMBLY - 4338728 & 4338729
10000 & 11000
Power Unit & Diesel Electric Set

ITEM	PART NUMBER	QTY.	DESCRIPTION	PACKAGE NO.
1	4055504	1	COVER, motor housing (Incl. PLUG & Items 2 thru 5 & 24) PLUG, pipe, ctsk. hex. sock., 3/8" P.T.	
	918887	2		
2	4055505	3	FELT, oiler	
3	4055506	2	SCREW, felt retaining	
4	4055508	1	WASHER, bearing ejecting	
5	4055507	1	BEARING, rotor	
6	4055510	2	GASKET, motor	
7	4055513	1	PLATE, rear end	
8	4055516	7	VANE, air starter	
9	4055511	1	CYLINDER	
10	4055514	1	ROTOR	
11	4055515	1	DOWEL, cylinder	
12	4055512	1	PLATE, front end	
13	4055507	1	BEARING, rotor	
14	4055518	1	SEAL, oil, housing	
15	4055524	1	DRIVE ASSY., starter (Bendix No. A-2114)	
16	4055490	1	OILER, bushing, drive housing PLUG, oil, bushing	
	4055491	1		
17	4055525	1	SHAFT, drive KEY, drive shaft, 5/32" x 5/8"	
	910224	1		
18	4055523	1	BUSHING, drive housing	
19	4055522	1	HOUSING, drive, starter (Incl. Items 16 & 18)	
20	4055521	6	CAPSCREW, drive housing LOCKWASHER, 1/4"	
	904204	6		
21	4055520	1	COLLAR, drive shaft	
22	4055519	1	WASHER, thrust, drive shaft	
23	4055517	1	HOUSING, starting motor (Incl. Items 13, 14 & 22)	
24	4055471	1	SCREW, oiler adjusting	
25	4055509	6	CAPSCREW, cover, motor housing LOCKWASHER, 1/4"	
	904204	6		



T-36763

TORQUE CONVERTER
10000

Power Unit

- * Standard (4339359)
- ** (4338044 - 4339360 (w/o freewheel))
- *** (4338045 - 4339361 (w/freewheel))

ITEM	PART NUMBER	QTY.	DESCRIPTION	PACKAGE NO.
1	4337924	1	CONVERTER ASSY., torque (w/o Disconnect Clutch) (See Pages 298, 299 & 304 thru 307 for Components)	
	4337926	1	CONVERTER ASSY., torque (w/Disconnect Clutch) (See Pages 301 thru 307 for Components) (Used Prior to Serial No. 10-12184 for Catalog Group 4339360) (4338044)	
	4354178	1	CONVERTER ASSY., torque (w/Disconnect Clutch) (See Pages 308 thru 314 for Components) (Effective w/Serial No. 10-12184 for Catalog Group 4339360)	
	4337925	1	CONVERTER ASSY., torque (w/Disconnect Clutch) (See Pages 301 thru 307 for Components) (Used Prior to Serial No. 10-14102 for Catalog Group 4339361) (4338045)	
	4354145	1	CONVERTER ASSY., torque (w/Disconnect Clutch) (See Pages 308 thru 314 for Components) (Effective w/Serial No. 10-14102 for Catalog Group 4339361)	
	916272	8	CAPSCREW, 3/8" NC x 1-1/4" (to Flywheel Housing)	
	916273	8	CAPSCREW, 3/8" NC x 1-3/4" (to Flywheel Housing)	
	919224	11	CAPSCREW, 3/8" NC x 1-1/8" (to Flywheel Housing)	
	904206	19	LOCKWASHER, 3/8"	
	904706	12	CAPSCREW, 7/16" NC x 1-1/4" (to Flywheel Housing)	
	904207	12	LOCKWASHER, 7/16"	

TORQUE CONVERTER (CONTINUED)

10000

Power Unit

* Standard (4339359)

** (4338044 - 4339360 (w/o freewheel))

*** (4338045 - 4339361 (w/freewheel))

ITEM	PART NUMBER	QTY.			DESCRIPTION	PACKAGE NO.
		*	**	***		
2	4378639	1	-	-	HOSE ASSY., oil, cooler to converter (See Page 371 f/components)	
	4378640	-	1	1	HOSE ASSY., oil, cooler to converter (See Page 371 f/components)	
	903630	2	2	2	CAPSCREW, 3/8" NC x 1"	
	904206	2	2	2	LOCKWASHER, 3/8"	
	919246	1	-	-	CONNECTOR, male, 3/4" P.T. x 1" O.D. tube	
	919064	-	1	1	CONNECTOR, male, 1" P.T. x 1" O.D. tube	
3	4378871	2	2	2	GASKET, flange	
4	4337400	1	-	-	HOSE ASSY., oil, converter to cooler (See Page 371 f/components)	
	4337401	-	1	1	HOSE ASSY., oil, converter to cooler (See Page 371 f/components)	
	903630	2	2	2	CAPSCREW, 3/8" NC x 1"	
	904206	2	2	2	LOCKWASHER, 3/8"	
	919246	1	-	-	CONNECTOR, male, 3/4" P.T. x 1" O.D. tube	
	919064	-	1	1	CONNECTOR, male, 1" P.T. x 1" O.D. tube	
	901725	1	-	-	ELBOW, street, 90°, 3/4" P.T.	(In Converter)
	901726	-	1	1	ELBOW, street, 90°, 1" P.T.	
5	4369248	1	1	1	CLAMP, hose, double	} (Not req'd. on Catalog Group 4339359)
	903631	1	1	1	CAPSCREW, 3/8" NC x 1-1/4"	
	904206	1	1	1	LOCKWASHER, 3/8"	
6	4337385	1	1	1	PLATE, clamp	
7	4048731	-	1	1	LEVER, hand operating (4338209)	
	904281	-	1	1	CAPSCREW, 3/8" NC x 2-1/4"	
	904206	-	1	1	LOCKWASHER, 3/8"	
	910324	-	1	1	NUT, 3/8" NC	
8	-----	1	-	-	ADAPTOR, flywheel housing (Not Illustrated)	
					(Refer to FLYWHEEL GROUP)	
	904706	12	-	-	CAPSCREW, 7/16" NC x 1-1/4" (to flywheel housing)	
	904207	12	-	-	LOCKWASHER, 7/16"	

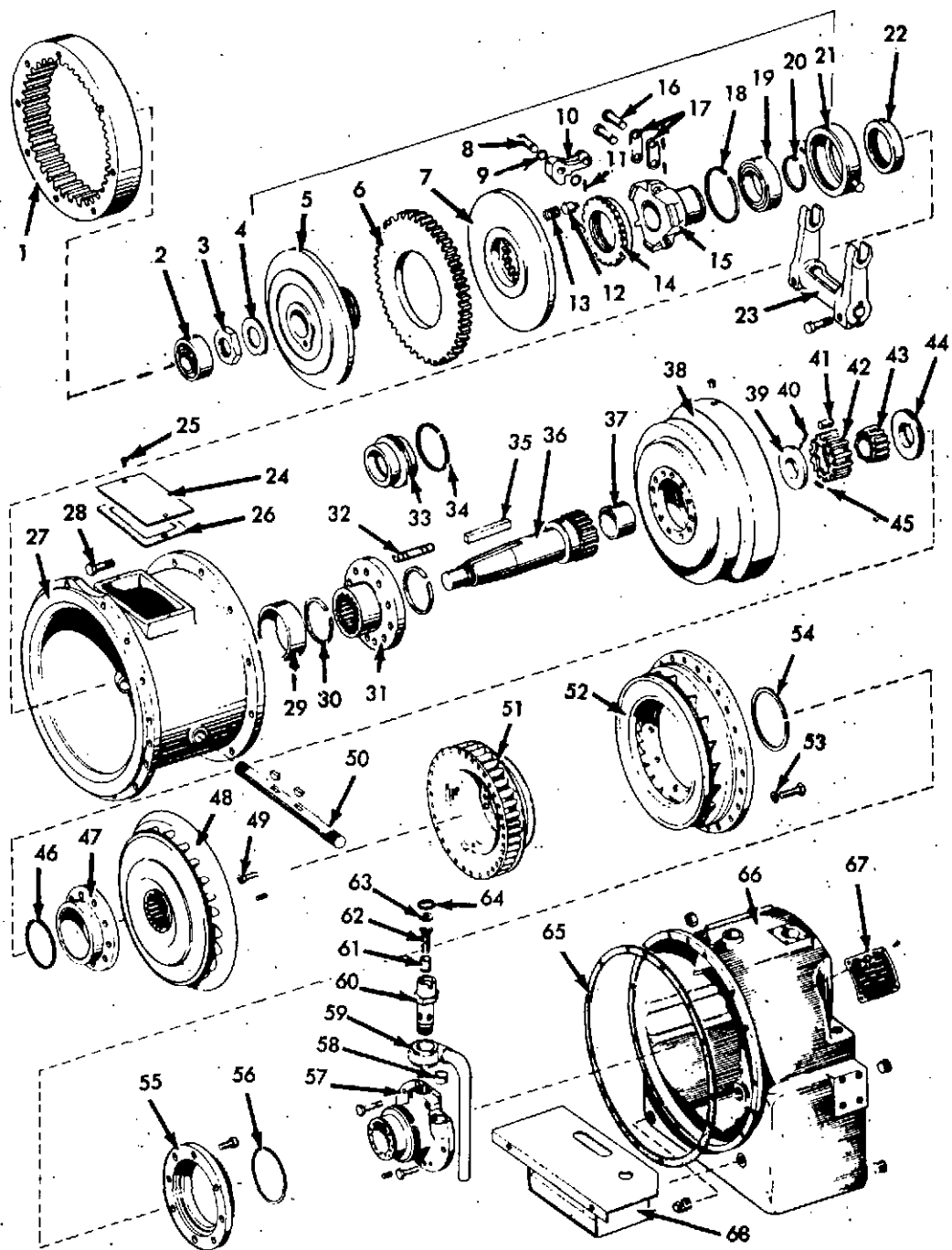
CONVERTER INPUT & HOUSING
10000 Power Unit
For Standard Converter No. 4337924
(Not Illustrated)

USAGE: Refer to Page 296

ITEM	PART NUMBER	QTY.	DESCRIPTION	PACKAGE NO.
1	4054699	1	RING, driving, input	
	903631	8	CAPSCREW, 3/8" NC x 1-1/4" (to Flywheel)	
	904206	8	LOCKWASHER, 3/8"	
2	4054696	1	BEARING, pilot	
3	4054700	1	GASKET, ring	
4	4054701	1	PILOT, flywheel	
5	4053675	2	CAPSCREW, hex. hd.	
	916269	6	CAPSCREW, hex. hd., 3/8" NC x 7/8"	
6	4054662	1	WASHER, retainer	
7	4054703	6	WASHER, copper	
8	4054697	1	GASKET, pilot	
9	4054692	1	HOUSING, rotating	
	917673	2	PLUG, pipe, ctsk. hex. sock., 1/8" NPTF	
10	4054693	1	HUB, splined	
11	4054639	6	CAPSCREW, socket hd.	
12	4054637	2	PLATE, clamp	
13	4054635	1	WHEEL, turbine	
14	4054641	4	PIN, roll	
	921459	4	PIN, roll, 3/8" x 5/8"	
15	4054634	1	WHEEL ASSY., guide (Incl. GUIDE RING, BLADE, WHEEL & DEFLECTOR)	
16	4054709	1	CARRIER, guide wheel	
	916271	4	CAPSCREW, 3/8" NC x 1"	
17	4054633	1	WHEEL, impeller	
18	4053629	24	WASHER, flat	
	914392	24	CAPSCREW, hex. hd., 5/16" NC x 1"	
19	4054695	2	SPACER	
20	4054694	1	RING, gasket	
21	4054735	1	GEAR, driving, oil pump	
22	4054719	1	SEAL, (4.75 shaft)	
23	4054710	1	CARRIER, seal	
24	4253965	8	SCREW, machine, rd. hd. (Seal Carrier)	

CONVERTER INPUT & HOUSING (CONTINUED)
 10000 Power Unit
 For Standard Converter No. 4337924
 (Not Illustrated)

ITEM	PART NUMBER	QTY.	DESCRIPTION	PACKAGE NO.
25	4054712	1	GASKET, seal carrier	
26	4054672	1	SLEEVE, split guide carrier	
27	4054689	1	BEARING, steel backed (3.50 shaft)	
28	4054674	1	BODY, regulator	
29	4054680	1	SPRING, regulator	
30	4054682	1	WASHER, plain	
	921459	1	PIN, roll, 3/8" x 5/8"	
31	4054708	2	RING, piston (4.00 diameter)	
32	4053692	1	PISTON	
33	4255134	1	RING, snap, internal	
34	4053699	1	RING, snap, internal	
35	4054707	1	HOUSING, converter	
	903629	18	CAPSCREW, 3/8" NC x 3/4"	
	916273	3	CAPSCREW, 3/8" NC x 1-3/4"	
	920131	1	PLUG, pipe, sq. hd., 3/8" NPTF	
36	4054713	1	GASKET	
37	4053704	1	PLATE, instruction	
38	4046336	4	SCREW, drive	
39	4054705	1	BUSHING, oilite	
40	4054724	2	RING, piston (2.00 diameter)	
41	4054729	2	RING, snap, external (2.00 shaft)	
42	4053694	4	CAPSCREW, hex. hd.	
43	4253965	2	SCREW, machine, rd. hd.	
44	4054711	1	COVER & SCREEN	
45	4054716	1	PLATE, sump cover	
46	4054718	1	PLATE, cover	
47	901656	2	PLUG, pipe	
48	4054704	1	BAFFLE	



T-36767

CLUTCH, INPUT SHAFT & HOUSINGS

CLUTCH, INPUT SHAFT & HOUSINGS

10000 Power Unit

* For No. 4337926 Converter, w/o freewheel

** For No. 4337925 Converter, w/freewheel

USAGE: Refer to Page 296

ITEM	PART NUMBER	QTY.		DESCRIPTION	PACKAGE NO.
		*	**		
1	4046188	1	1	RING, driving	
	916273	8	8	CAPSCREW, 3/8" NC x 1-3/4" (to Flywheel)	
	904206	8	8	LOCKWASHER, 3/8"	
2	4053705	1	1	BEARING, ball, pilot	
3	4047379	1	1	NUT, clamp	
4	4017672	1	1	WASHER, locking, clamp nut	
	4054663	1	1	WASHER, (Not Illustrated)	
5	4048982	1	1	PLATE, hub and back (Clutch)	
6	4041815	1	1	PLATE, driving	
7	4048981	1	1	PLATE, floating	
8	4053536	3	3	PIN, finger	
9	4046839	6	6	WASHER, spring	
10	4048978	3	3	LEVER, finger	
11	916872	3	3	PIN, roll, 5/32" x 3/4"	
12	4048977	1	1	PIN, adjusting lock	
13	4017659	1	1	SPRING, adjusting lock pin	
14	4048980	1	1	RING, adjusting	
15	4054643	1	1	SLEEVE ASSY., sliding (Incl. SLEEVE & Items 16 thru 21)	
	4054644	1	1	SLEEVE, sliding	
16	4053171	6	6	PIN, lever link	
17	4046841	6	6	LINK, lever	
	919180	6	6	PIN, roll, 1/8" x 5/8"	
18	4054647	1	1	RING, snap, sleeve collar	
19	4054646	1	1	BEARING, ball	
20	4054642	1	1	RING, snap, sleeve	
21	4054645	1	1	COLLAR, sleeve	
22	4054664	1	1	SEAL, oil, input shaft	
23	4053541	1	1	FORK, operating	
	914847	2	2	CAPSCREW, 3/8" NC x 1-1/2"	
24	4053712	1	1	PLATE, instruction	
25	921537	2	2	SCREW, rd. hd., 1/4" NC x 1/2" (Incl. LOCKWASHER)	

Continued

CLUTCH, INPUT SHAFT & HOUSINGS (CONTINUED)

10000 Power Unit

* For No. 4337926 Converter, w/o freewheel

** For No. 4337925 Converter, w/freewheel

ITEM	PART NUMBER	QTY.		DESCRIPTION	PACKAGE NO.
		*	**		
26	4017676	1	1	GASKET, instruction plate	
27	4054667	1	1	HOUSING, clutch and end plate	
28	916383	12	12	CAPSCREW, 3/8" NF x 1-1/2" (to Converter Housing)	
29	4053648	1	1	BEARING, splined hub	
30	4054669	1	1	RING, snap, splined hub	
31	4054668	1	1	HUB, splined	
32	4054665	12	12	STUD	
	910123	12	12	NUT, .3/8" NF	
33	4053677	1	-	CARRIER, piston ring	
34	4053679	1	-	RING, piston	
35	906173	1	1	KEY, input shaft, straight, 3/8" x 3/8" x 2-1/2" lg.	
36	4054670	1	1	SHAFT, input	
37	4054666	1	1	BEARING, ball	
38	4054636	1	1	HOUSING, rotating	
	917673	2	2	PLUG, pipe, ctsk. hex. sock., 1/8" NPTF	
39	-----	-	1	SPACER, freewheel	4058851
	916202	-	2	PIN, roll, 1/8" x 7/8"	4058851
40	4054105	-	2	SPRING, return	4058851
41	4054108	-	14	ROLLER, freewheel	4058851
42	-----	-	1	CAGE, freewheel (Order Service Kit No. 4058851)	
43	-----	-	1	CAM, freewheel (Order Service Kit No. 4058851)	
44	-----	-	1	CARRIER, ring, oil seal	4058851
45	4054103	-	5	SPRING, bumper	4058851
46	-----	-	1	RING, piston	4058851
47	4053678	1	-	PLATE, clamp	
	-----	-	1	RACE, outer, freewheel	4058851
	4054651	-	1	WASHER, bearing retainer (Not Illustrated)	
48	4054635	1	1	WHEEL, turbine	
49	4054639	6	6	CAPSCREW, guide wheel	
	4054637	2	2	PLATE, clamp, guide wheel capscrow (Not Illustrated)	

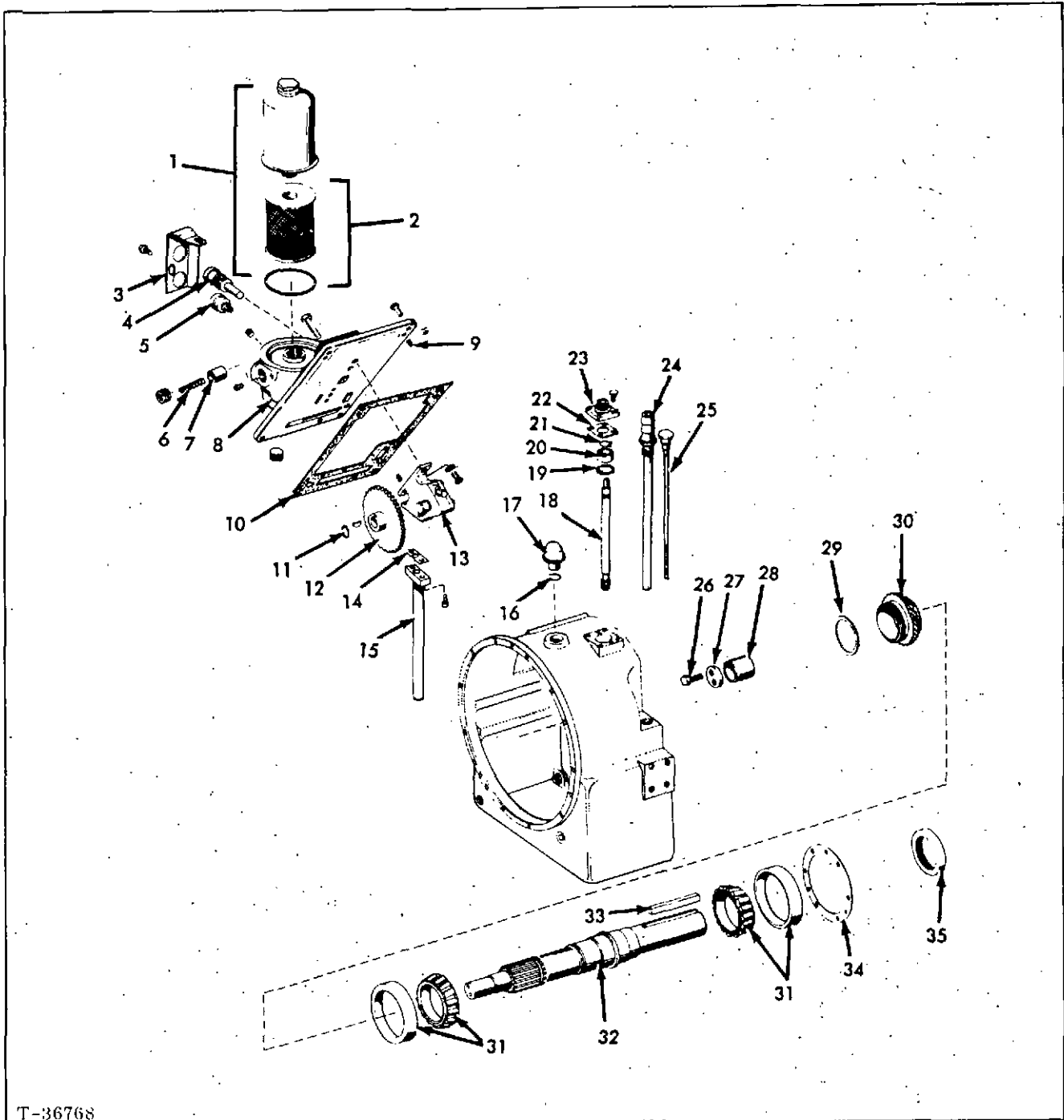
CLUTCH, INPUT SHAFT & HOUSINGS (CONTINUED)

10000 Power Unit

* For No. 4337926 Converter, w/o freewheel

** For No. 4337925 Converter, w/freewheel

ITEM	PART NUMBER	QTY.		DESCRIPTION	PACKAGE NO.
		*	**		
50	4052105	1	1	SHAFT, operating	
	905126	2	2	KEY, woodruff, 1/4" x 1"	
51	4054634	1	1	WHEEL ASSY., guide	
52	4054633	1	1	WHEEL, impeller	
	915813	24	24	CAPSCREW, 5/16" x 1"	
53	4053629	24	24	WASHER, flat	
54	4054638	1	1	RING, snap, internal	
55	4054686	1	1	GEAR, driving, oil pump	
	915809	8	8	CAPSCREW, 5/16" NC x 3/4"	
56	4054678	1	1	RING, piston	
57	4054675	1	1	CARRIER, guide	
	916271	4	4	CAPSCREW, 3/8" NC x 1"	
	916274	3	3	CAPSCREW, 3/8" NC x 2-1/4"	
	921459	1	1	PIN, roll, 3/8" x 5/8"	
	4054672	1	1	SLEEVE, guide carrier (Not Illustrated)	
58	4053631	1	1	BUSHING, governor drive shaft	
59	4054681	1	1	TUBE, exhaust	
60	4054674	1	1	BODY, regulator	
61	4053692	1	1	PISTON, regulator	
62	4054680	1	1	SPRING, regulator	
63	4054682	1	1	WASHER, regulator	
64	4255134	1	1	RING, snap, internal (Regulator)	
65	4054649	1	1	GASKET, converter housing	4058851
66	4054677	1	1	HOUSING, converter	
	917686	2	2	PLUG, pipe, ctsk. sq. sock., 3/4" P.T.	
	918780	2	2	PLUG, pipe, ctsk. sq. sock., 1" P.T.	
67	4053704	1	1	PLATE, instruction	
	4046336	4	4	SCREW, drive	
68	4054673	1	1	BAFFLE, sump	
69	4054640	1	1	HUB, splined (Not Illustrated)	
70	4054642	2	2	RING, snap, external (2-1/2" Shaft Diameter) (Not Illustrated)	
71	4054641	4	4	PIN, roll, 7/32" x 5/8" } (Not Illustrated)	
	921459	4	4	PIN, roll, 3/8" x 5/8" }	



T-36768

OIL FILTER, OIL PUMP & OUTPUT SHAFT
10000 Power Unit

* Used with No. 4337924 Converter w/o Disconnect Clutch
** Used with No. 4337925 & 4337926 Converters w/Disconnect Clutch

USAGE: Refer to Page 296

ITEM	PART NUMBER	QTY.		DESCRIPTION	PACKAGE NO.
		*	**		
1	4053682	1	1	FILTER ASSY., oil (Incl. Item 2)	
2	4053683	1	1	ELEMENT KIT, oil filter	

OIL FILTER, OIL PUMP & OUTPUT SHAFT (CONTINUED)

10000 Power Unit

* Used with No. 4337924 Converter w/o Disconnect Clutch

** Used with No. 4337925 & 4337926 Converters w/Disconnect Clutch

ITEM	PART NUMBER	QTY.		DESCRIPTION	PACKAGE NO.
		*	**		
3	4053681	1	1	COVER, gauge	
	4053694	2	2	CAPSCREW	
4	4053684	1	1	GAUGE, temperature, oil	
5	4053685	1	1	GAUGE, pressure, oil	
6	4053695	-	1	SPRING, filter by-pass	
7	4053692	-	1	PISTON, filter by-pass	
8	4054739	1	-	BODY, valve and filter	
	4053680	-	1	BODY, valve and filter	
8	917686	2	1	PLUG, pipe, ctsk. hd., 3/4" P.T.	
	917673	2	2	PLUG, pipe, ctsk. hd., 1/8" NPTF	
	916271	2	3	CAPSCREW, 3/8" NC x 1"	
	916272	2	3	CAPSCREW, 3/8" NC x 1-1/4"	
	918780	-	2	PLUG, pipe, ctsk. hd., 1" P.T.	
9	921459	4	4	PIN, dowel	
10	4053686	1	1	GASKET, valve body to housing	
11	4053693	-	1	RING, snap, driven gear	
12	4054736	1	-	GEAR, driven, oil pump	
	4054687	-	1	GEAR, driven, oil pump	
	905119	1	1	KEY, woodruff, 1/8" x 1/2"	
13	4054737	1	-	PUMP, oil	
	4054690	-	1	PUMP, oil	
	916271	2	2	CAPSCREW, 3/8" NC x 1"	
14	4054734	1	-	GASKET, suction tube	
	4054685	-	1	GASKET, suction tube	
15	4054738	1	-	TUBE, suction	
	4053694	2	-	CAPSCREW, (Incl. LOCKWASHER)	
	4054688	-	1	TUBE, suction	
	4054684	-	2	CAPSCREW	
16	4053643	-	1	O-RING, breather	
17	4053633	-	1	BREATHER ASSY., housing	
18	4053701	1	1	SHAFT, governor drive	

Continued

OIL FILTER, OIL PUMP & OUTPUT SHAFT (CONTINUED)

10000 Power Unit

* Used with No. 4337924 Converter w/o Disconnect Clutch

** Used with No. 4337925 & 4337926 Converters w/Disconnect Clutch

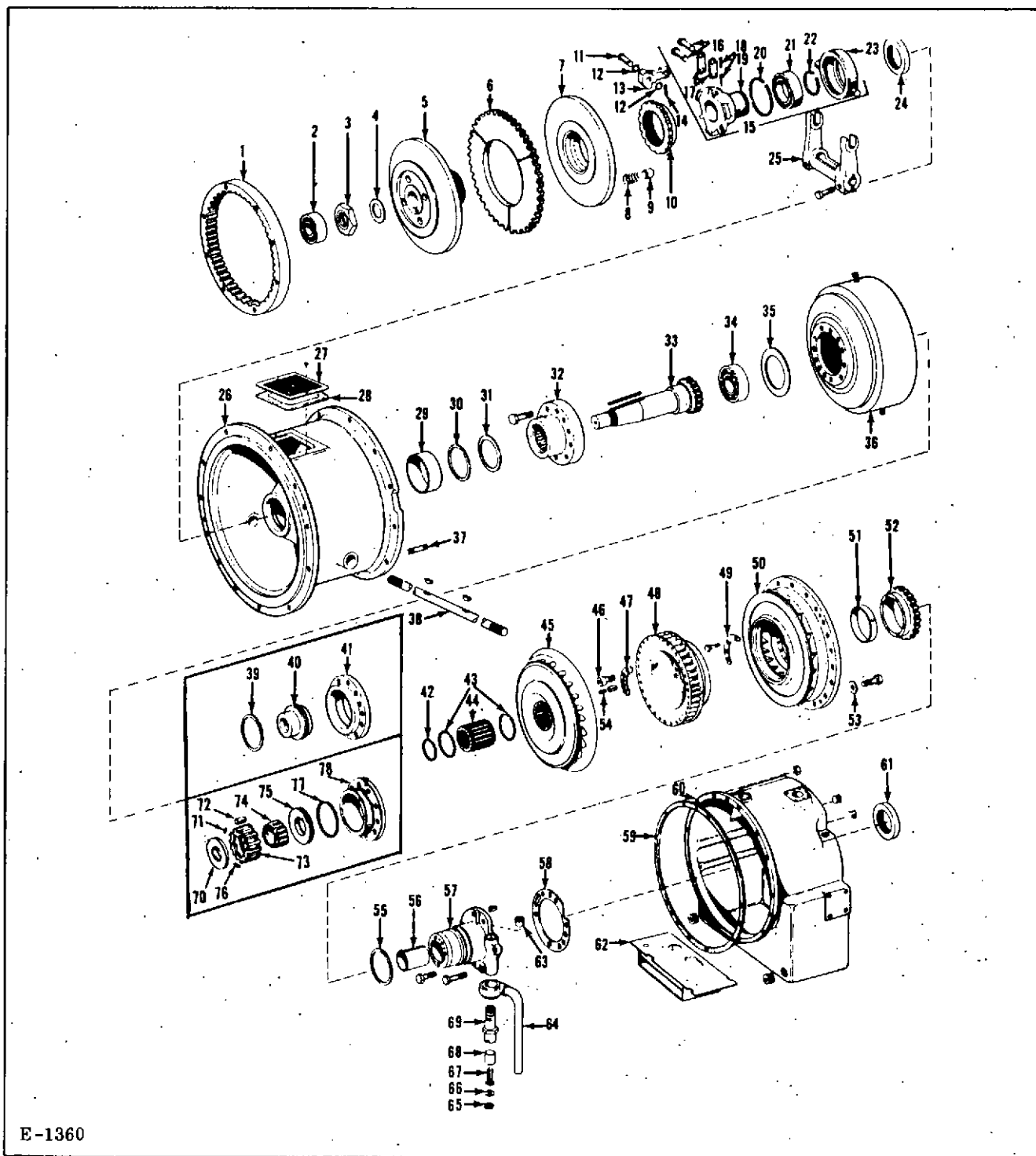
ITEM	PART NUMBER	QTY.		DESCRIPTION	PACKAGE NO.
		*	**		
19	4053699	1	1	RING, snap bearing	
20	4053698	1	1	BEARING, drive shaft	
21	4053700	1	1	RING, snap, drive shaft bearing	
22	4053652	1	1	GASKET, adaptor	
23	4053702	1	1	ADAPTOR, governor drive	
	915809	4	4	CAPSCREW, 5/16" NC x 3/4"	
24	4054715	1	-	NIPPLE	
	4053646	-	1	TUBE, oil gauge	
25	4054706	1	-	GAUGE, oil level	
	4053637	-	1	GAUGE, oil level	
26	4054733	8	-	CAPSCREW, hex. hd.	
	4054684	2	-	CAPSCREW, socket hd.	
	4053675	-	2	CAPSCREW, self-locking	
27	4054683	2	2	PLATE, clamp	
28	4054689	-	1	BUSHING, steel backed	
29	4054656	-	1	RING, piston	
30	4054722	1	-	GEAR, governor drive	
	4054654	-	1	GEAR, governor drive	
31	4054721	2	-	BEARING, tapered roller (Output Shaft)	
	4054653	-	2	BEARING, roller (Output Shaft)	
32	4054728	1	-	SHAFT, output	
	905119	1	-	KEY, woodruff, 1/8" x 1/2"	
	4054660	-	1	SHAFT, output	
33	4054723	1	-	KEY, straight, output shaft	
	4054655	-	1	KEY, straight, output shaft	
34	4054725	*	-	SHIM, .003"	(* Use As Required)
	4054726	*	-	SHIM, .005"	
	4054727	*	-	SHIM, .015"	

OIL FILTER, OIL PUMP & OUTPUT SHAFT (CONTINUED)

10000 Power Unit

* Used with No. 4337924 Converter w/o Disconnect Clutch
 ** Used with No. 4337925 & 4337926 Converters w/Disconnect Clutch

ITEM	PART NUMBER	QTY.		DESCRIPTION	PACKAGE NO.
		*	**		
34	4054657	-	*	SHIM, .003"	(* Use As Required)
	4054658	-	*	SHIM, .005"	
	4054659	-	*	SHIM, .010"	
35	4054730	1	-	SEAL, oil, output shaft	
	4054664	-	1	SEAL, oil, output shaft	
36	4054731	2	-	SETSCREW, (Not Illustrated)	
37	4054740	1	-	GASKET, impeller hub, (Not Illustrated)	
38	4054662	-	1	WASHER, retainer	} (Not Illustrated)
39	4054661	-	1	PIN, roll	



E-1360

TORQUE CONVERTER 4354178 & 4354445 (INPUT)
10000 Power Unit

USAGE: Refer to Page 296

ITEM	PART NUMBER	QTY.	DESCRIPTION	PACKAGE NO.
1	4046188	1	RING, driving	
2	4056584	1	BEARING, ball, pilot	

TORQUE CONVERTER 4354178 & 4354445 (INPUT) (CONTINUED)
10000 Power Unit

ITEM	PART NUMBER	QTY.	DESCRIPTION	PACKAGE NO.
3	4047379	1	NUT, clamp	
4	4017672	1	WASHER, locking	
5	4048982	1	PLATE, hub & back	
6	4041815	1	PLATE, driving	
7	4048981	1	PLATE, floating	
8	4017659	1	SPRING, pin, lock, adjusting	
9	4048977	1	PIN, lock, adjusting	
10	4048980	1	RING, adjusting	
11	4056182	3	PIN, lever, finger	
12	4046839	6	WASHER, spring	
13	4048978	3	LEVER, finger	
14	4056578	3	PIN, cotter	
15	4054643	1	SLEEVE ASSY., sliding (Incl. Items 16 thru 22)	
16	4056579	6	PIN, link, lever	
17	4046841	6	LINK, lever	
18	4056580	6	PIN, cotter	
19	4054644	1	SLEEVE, sliding	
20	4054647	1	RING, snap, internal	
21	4054646	1	BEARING, ball, sleeve collar	
22	4054642	1	RING, snap, external	
23	4054645	1	COLLAR, sleeve	
24	4054664	1	SEAL, oil	
25	4053541	1	YOKE, operating	
	914847	2	CAPSCREW, 3/8" NC x 1-1/2"	
26	4054667	1	HOUSING, clutch	
27	4053712	1	PLATE, instruction	
	921537	2	SCREW, rd. hd., 1/4" NF x 1-1/2"	
28	4017676	1	GASKET, instruction plate	
29	4053648	1	BUSHING, steel-backed	
30	4054669	1	RING, snap, internal	

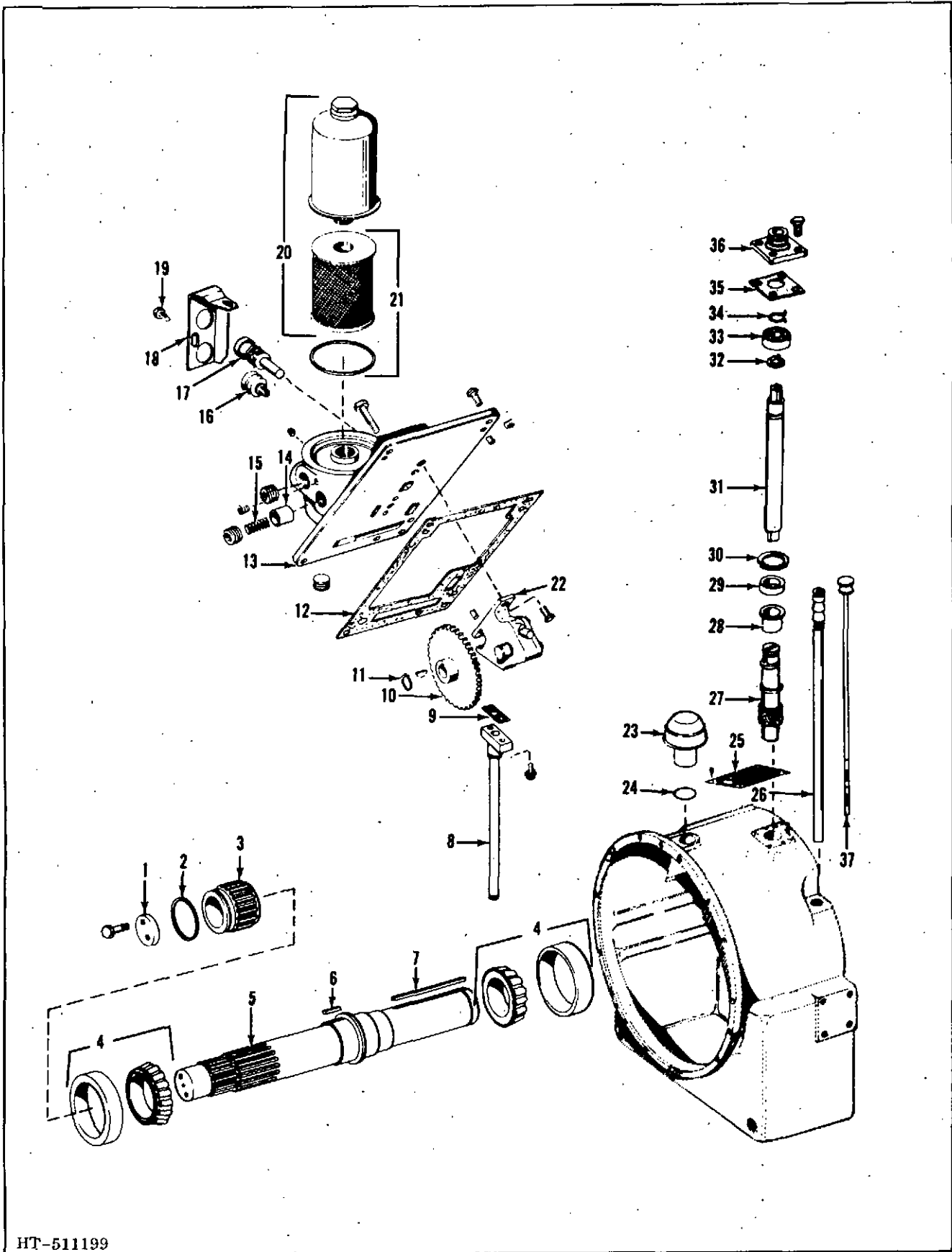
Continued

TORQUE CONVERTER 4354178 & 4354445 (INPUT) (CONTINUED)
10000 Power Unit

ITEM	PART NUMBER	QTY.	DESCRIPTION	PACKAGE NO.
31	4056585	1	WASHER, retaining	
32	4054668	1	HUB, splined	
	916383	12	CAPSCREW, 3/8" NF x 1-1/2"	
33	4054670	1	SHAFT, input	
	906173	1	KEY, straight, 3/8" x 3/8" x 2-1/2"	
34	4054666	1	BEARING, ball, pilot, output shaft	
35	4054651	1	WASHER, bearing retainer	
36	4054636	1	HOUSING, rotating	
	917673	2	PLUG, pipe, hex. socket, 1/8" NPT	
37	4054665	12	STUD, clutch housing	
	910123	12	NUT, hex., 3/8" NF	
38	4052105	1	SHAFT, operating	
	905126	2	KEY, woodruff, 1/4" x 1"	
39	4053679	1	RING, piston	}
40	4053677	1	CARRIER, piston ring	
41	4053678	1	PLATE, clamp	
42	4054638	1	RING, snap, internal	
43	4054642	2	RING, snap, external	
44	4054640	1	HUB, splined	
45	4054635	1	WHEEL, turbine	
46	4054639	6	CAPSCREW, plate retaining	
47	4054637	2	PLATE, clamp	
	921459	4	PIN, roll, 3/8" x 5/8"	
48	4054634	1	WHEEL ASSY., guide	
49	4054683	2	PLATE, clamp	
	915809	8	CAPSCREW, 5/16" NC x 3/4"	
50	4054633	1	WHEEL, impeller	
51	4054689	1	BUSHING, steel backed	
52	4054686	1	GEAR, driving	
53	4053629	24	WASHER, flat	
	915813	24	CAPSCREW, 5/16" NC x 7/8"	
54	4054671	4	PIN, roll	
55	4054678	1	RING, piston	
56	4054672	1	SLEEVE, carrier, guide wheel	

TORQUE CONVERTER 4354178 & 4354445 (INPUT) (CONTINUED)
10000 Power Unit

ITEM	PART NUMBER	QTY.	DESCRIPTION	PACKAGE NO.
57	4056587	1	CARRIER, guide wheel	
	916274	3	CAPSCREW, 3/8" NC x 2-1/4"	
	916271	4	CAPSCREW, 3/8" NC x 1"	
	921459	1	PIN, roll, 3/8" x 5/8"	
58	4054657	*	SHIM (.003)	* Use as required
	4054658	*	SHIM (.005)	
	4054659	*	SHIM (.010)	
59	4054649	1	GASKET, housing	4058851
60	4054677	1	HOUSING, converter	
	917686	2	PLUG, pipe, sq. sock. hd., 3/4" NPT	
	918780	2	PLUG, pipe, sq. sock. hd., 1" NPT	
61	4054664	1	SEAL, oil	
62	4054673	1	BAFFLE, sump	
63	4056574	1	BUSHING, flanged, spiral gear shaft	
64	4054681	1	TUBE, exhaust	
65	4255134	1	RING, snap, internal	
66	4054682	1	WASHER, plain	
67	4054680	1	SPRING, regulator	
68	4053692	1	PISTON, regulator	
69	4054674	1	BODY, regulator	
70	-----	1	SPACER, freewheel	4058851
	916202	2	PIN, roll, 1/8" x 7/8"	4058851
71	4054105	2	SPRING, return	4058851
72	4054108	14	ROLLER, freewheel	4058851
73	-----	1	CAGE, freewheel	4058851
74	-----	1	CAM, freewheel	(f/4354445 Converter) 4058851
75	-----	1	CARRIER, ring, oil seal	
76	4054103	5	SPRING, bumper	4058851
77	-----	1	RING, piston	4058851
78	-----	1	RACE, outer	4058851



HT-511199

TORQUE CONVERTER 4354178 & 4354445 (OIL FILTER & OUTPUT)

TORQUE CONVERTER 4354178 & 4354445 (OIL FILTER & OUTPUT)
10000 Power Unit

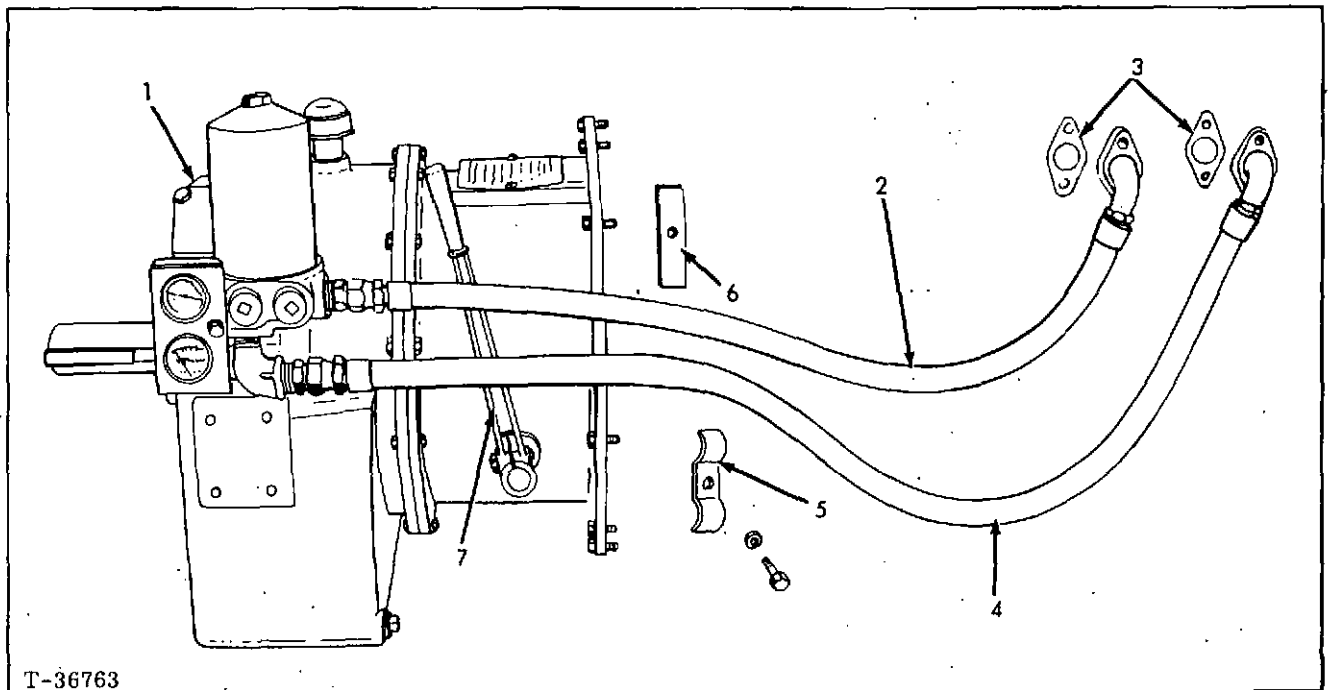
USAGE: Refer to Page 296

ITEM	PART NUMBER	QTY.	DESCRIPTION	PACKAGE NO.
1	4054662	1	WASHER, retainer	
	922403	2	CAPSCREW, 3/8" NF x 7/8"	
2	4054656	1	RING, piston	
3	4056581	1	GEAR, governor drive	
4	4054653	2	BEARING, tapered	
5	4056582	1	SHAFT, output	
6	4056583	1	KEY, straight	
7	4054655	1	KEY, straight	
8	4054688	1	TUBE ASSY., suction	
	922845	2	CAPSCREW, 3/8" NC x 3/4"	
9	4054685	1	GASKET, suction tube	
10	4054687	1	GEAR, driven	
	905119	1	KEY, woodruff, 1/8" x 1/2"	
11	4053693	1	RING, snap, external	
12	4053686	1	GASKET, valve & filter body	
13	4053680	1	BODY, valve & filter	
	916272	3	CAPSCREW, 3/8" NC x 1-1/4"	
	916271	3	CAPSCREW, 3/8" NC x 1"	
	918780	2	PLUG, pipe, sq. sock. hd., 1" NPT	
	917673	3	PLUG, pipe, hex. sock., 1/8" NPT	
	917686	1	PLUG, pipe, sq. sock. hd., 3/4" NPT	
921459	2	PIN, roll, 3/8" x 5/8"		
14	4053692	1	PISTON, filter by-pass	
15	4053695	1	SPRING, filter by-pass piston	
16	4053685	1	GAUGE, oil pressure	
17	4053684	1	GAUGE, oil temperature	
18	4053681	1	COVER, gauge	
19	4053694	2	CAPSCREW, cover retaining	
20	4053682	1	FILTER ASSY., oil (Serviced only as a unit)	
21	4508865	1	ELEMENT KIT (Serviced only as a unit)	
22	4054690	1	PUMP ASSY., oil	
	916271	2	CAPSCREW, hex. hd., 3/8" NC x 1"	
	921459	2	PIN, roll, 3/8" x 5/8"	
23	4053633	1	BREATHING, oil	
24	4053643	1	O-RING, oil breather	

Continued

TORQUE CONVERTER 4354178 & 4354445 (OIL FILTER & OUTPUT) (CONTINUED)
10000 Power Unit

ITEM	PART NUMBER	QTY.	DESCRIPTION	PACKAGE NO.
25	4053704	1	PLATE, instruction	
	906759	4	SCREW, drive, No. 4 x 1/4"	
26	4053646	1	TUBE, oil level gauge	
27	4056576	1	SHAFT, spiral gear	
28	4056586	1	BUSHING, flanged	
29	4056577	1	SPACER, governor drive	
30	4056575	1	RING, snap, external	
31	4056573	1	SHAFT, governor drive	
32	4053699	1	RING, snap, internal	
33	4053698	1	BEARING, ball, governor drive shaft	
34	4053700	1	RING, snap, external	
35	4053652	1	GASKET, governor drive adaptor	
36	4053702	1	ADAPTOR, governor drive	
	915809	4	CAPSCREW, 5/16" NC x 3/4"	
37	4056588	1	GAUGE, oil level	



T-36763

**TORQUE CONVERTER
11000**

Power Unit

* Standard on 11000 Torque Converter Engine Assy. (4339362)

** (4337197) (4339363) (w/o freewheel)

*** (4337675) (4339364) (w/freewheel)

ITEM	PART NUMBER	QTY.			DESCRIPTION	PACKAGE NO.
		*	**	***		
1	4336863	1	-	-	CONVERTER ASSY., torque (w/o Disconnect Clutch) (See Pages 317 thru 322 for Components)	
	4337195	-	1	-	CONVERTER ASSY., torque (w/Disconnect Clutch) (See Pages 320 thru 327 for Components)	
	4337632	-	-	1	CONVERTER ASSY., torque (w/Disconnect Clutch) (See Pages 320 thru 327 for Components)	
	912069	-	8	8	CAPSCREW, 3/8" NC x 2-1/2"	} (to Housing)
	915987	8	-	-	CAPSCREW, 1/2" NC x 1-1/2"	
	916197	12	12	12	CAPSCREW, 7/16" NC x 1-1/4"	
	904207	12	12	12	LOCKWASHER, 7/16"	
	904206	-	8	8	LOCKWASHER, 3/8"	
904208	8	-	-	LOCKWASHER, 1/2"		
2	4378639	1	-	-	HOSE ASSY., oil, cooler to torque converter (29-15/16" hose length) (See Page 371 for parts)	
	4378640	-	1	1	HOSE ASSY., oil, cooler to torque converter (35-7/16" hose length) (See Page 371 for parts)	
	916271	2	2	2	CAPSCREW, 3/8" NC x 1"	
	904206	2	2	2	LOCKWASHER, 3/8"	
3	919064	1	1	1	ADAPTOR, flared, 1" P. T. x 1" O. D. tube	
	4378871	2	2	2	GASKET, adaptor	

Continued

315

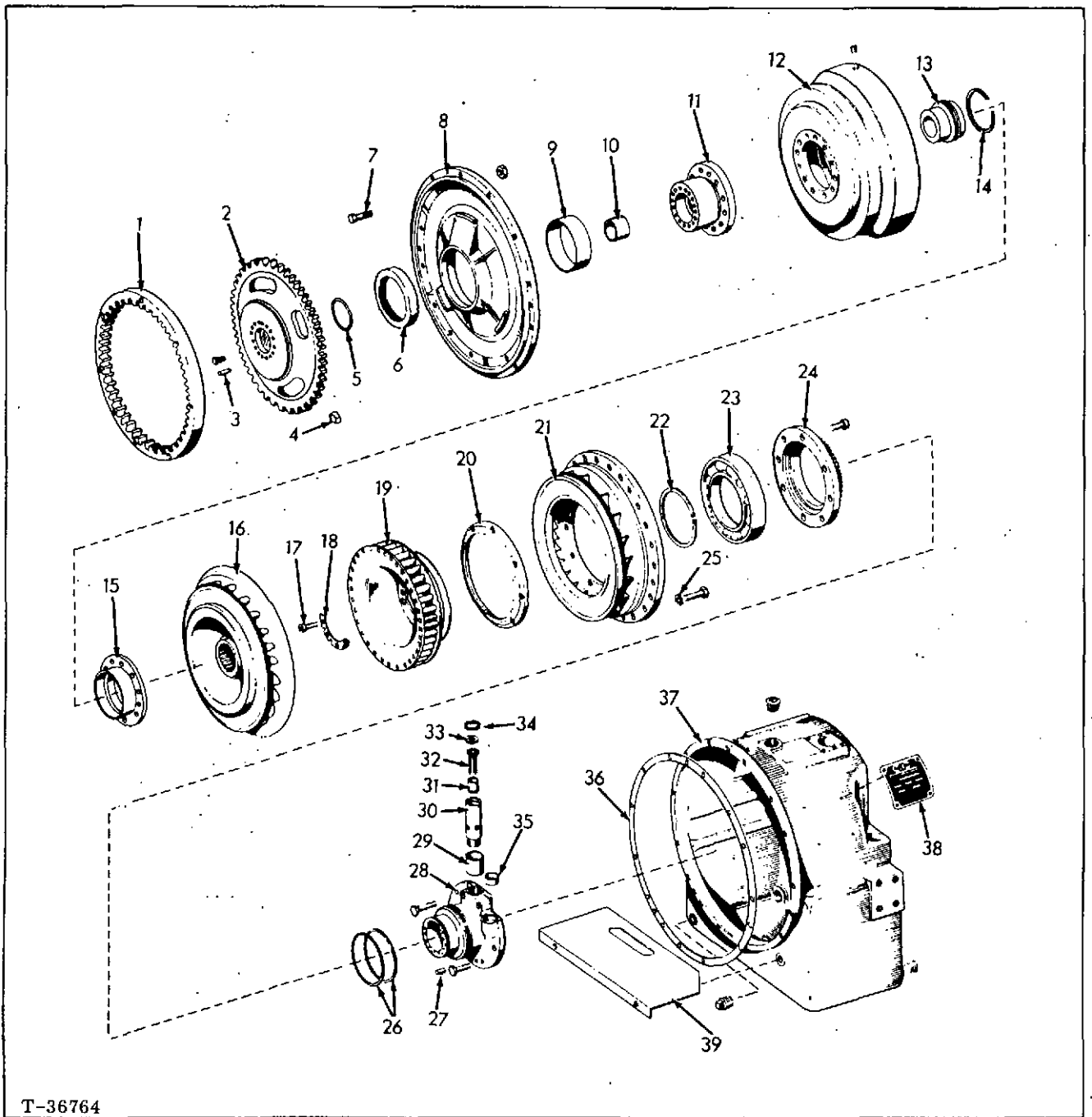
TORQUE CONVERTER (CONTINUED)

11000

Power Unit

- * Standard on 11000 Torque Converter Engine Assy. (4339362)
- ** (4337197) (4339363) (w/o freewheel)
- *** (4337675) (4339364) (w/freewheel)

ITEM	PART NUMBER	QTY.			DESCRIPTION	PACKAGE NO.
		*	**	***		
4	4337400	1	-	-	HOSE ASSY., oil, torque converter to cooler (See Page 371 for Parts)	
	4337401	-	1	1	HOSE ASSY., oil, torque converter to cooler (See Page 371 for Parts)	
	916271	2	2	2	CAPSCREW, 3/8" NC x 1"	
	904206	2	2	2	LOCKWASHER, 3/8"	
	919064	1	1	1	ADAPTOR, flared, 1" P.T. x 1" O.D. tube	
	901726	1	1	1	ELBOW, street, 90°, 1" NPT	
5	4369248	1	1	1	CLAMP, hose, double	
	916272	1	1	1	CAPSCREW, 3/8" NC x 1-1/4"	
	904206	1	1	1	LOCKWASHER, 3/8"	
6	4337385	1	1	1	PLATE, clamp	
7	4048731	-	1	1	LEVER, hand operating (4338209)	
	916274	-	1	1	CAPSCREW, 3/8" NC x 2-1/4"	
	904206	-	1	1	LOCKWASHER, 3/8"	
	910324	-	1	1	NUT, 3/8" NC	



T-36764

DRIVE SPIDER, INPUT FLANGE & HOUSING
(Torque Converter)
11000

Power Unit

USAGE: 4336863 Converter Assembly

ITEM	PART NUMBER	QTY.	DESCRIPTION	PACKAGE NO.
1	4053655	1	RING, driving	
	903639	8	CAPSCREW, 1/2" NC x 1-1/2"	
	904208	8	LOCKWASHER, 1/2"	
2	4053658	1	SPIDER, drive	
	916271	8	CAPSCREW, 3/8" NC x 1"	

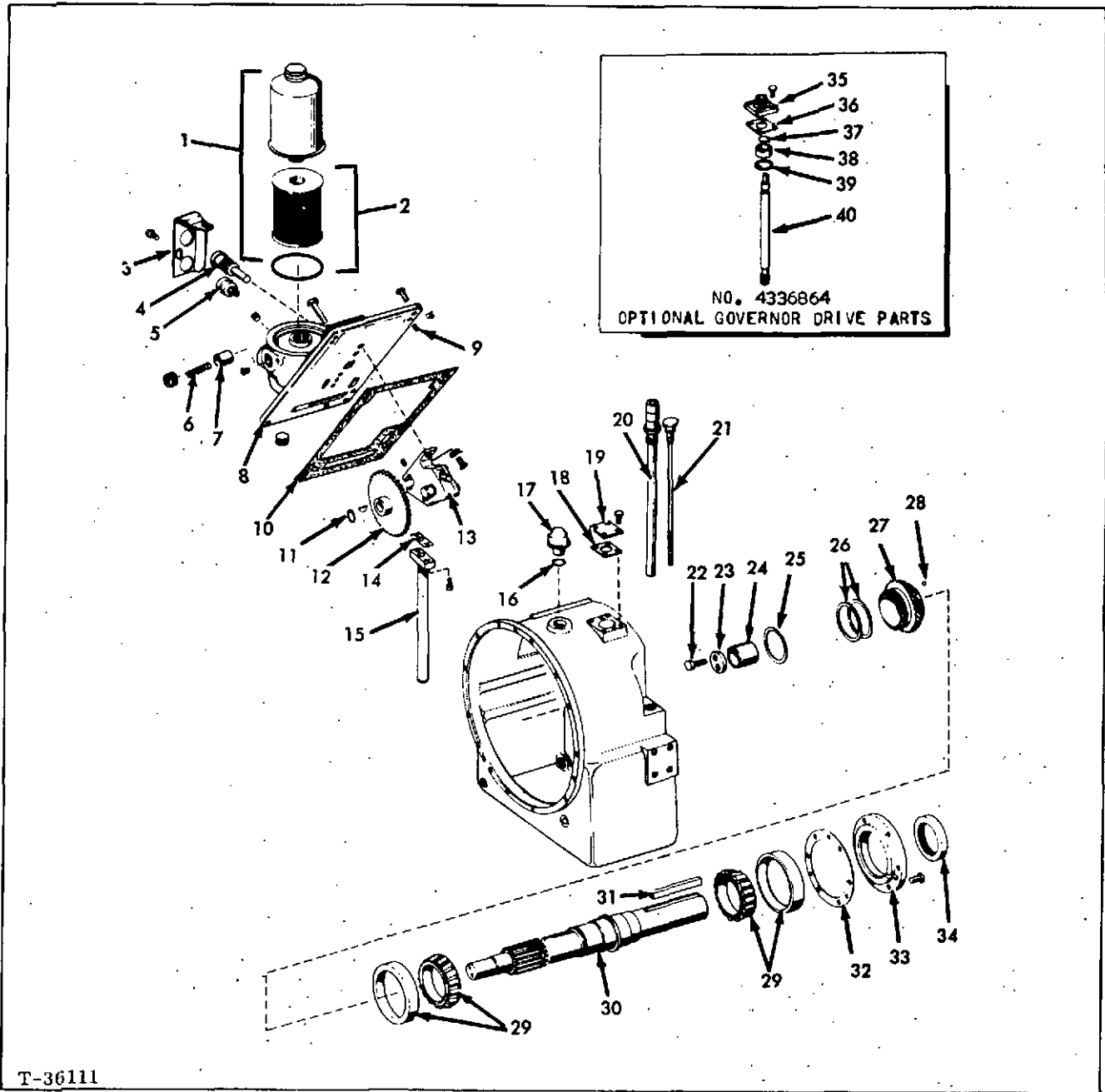
Continued

DRIVE SPIDER, INPUT FLANGE & HOUSING (CONTINUED)
 (Torque Converter)
 11000
 Power Unit
 USAGE: 4336863 Converter Assembly

ITEM	PART NUMBER	QTY.	DESCRIPTION	PACKAGE NO.
3	4053654	8	PIN, dowel, spider	
4	4053649	26	BLOCK, rubber (Driving Ring & Spider)	
5	4053656	1	O-RING, spider, inner	
6	4053657	1	SEAL, oil, end plate	
7	4053659	12	STUD, end plate	
	910123	12	NUT, 3/8" NF	
8	4053653	1	PLATE, end	
9	4053648	1	BEARING, end plate, inner	
10	4053650	1	BEARING, input flange, inner	
11	4053651	1	FLANGE, input	
	916383	12	CAPSCREW, 3/8" NF x 1-1/2" (to Rotator Housing)	
12	4053625	1	HOUSING, rotating	
	917673	2	PLUG, pipe, ctsk. hex. sock., 1/8" NPTF	
13	4053677	1	CARRIER, piston ring	
14	4053679	1	RING, piston	
15	4053678	1	PLATE, clamp	
16	4053622	1	WHEEL ASSY., turbine	
17	4053628	6	CAPSCREW	
18	4053626	2	PLATE, clamp	
19	4053621	1	WHEEL ASSY., guide	
20	4053624	1	CARRIER, bearing	
21	4053620	1	WHEEL, impeller	
22	4053627	1	RING, snap, internal	
23	4053623	1	BEARING, ball	
24	4053688	1	GEAR, driving, oil pump	
	914480	8	SETSCREW, 7/16" NC x 3/4"	
25	4053629	36	WASHER, flat, impeller wheel capscrew	
	914670	36	CAPSCREW, impeller wheel; 5/16" NC x 1-1/8"	
26	4053641	2	RING, piston, guide wheel carrier	
27	4053635	2	PIN, dowel, guide carrier	
28	4053634	1	CARRIER, guide wheel	
	916271	5	CAPSCREW, 3/8" NC x 1"	
	910948	3	CAPSCREW, 3/8" NC x 2"	

DRIVE SPIDER, INPUT FLANGE & HOUSING (CONTINUED)
 (Torque Converter)
 11000
 Power Unit
 USAGE: 4336863 Converter Assembly

ITEM	PART NUMBER	QTY.	DESCRIPTION	PACKAGE NO.
29	4053647	1	TUBE, regulator	
30	4053632	1	BODY, regulator	
	4053644	1	O-RING, regulator body (Not Illustrated)	
31	4053640	1	PISTON, regulator	
32	4053645	1	SPRING, regulator	
33	4053703	1	WASHER, regulator	
34	4053642	1	RING, snap, regulator	
35	4053631	1	BUSHING, governor drive shaft	
36	4053636	1	GASKET, converter housing	
37	4053638	1	HOUSING, converter	
	917686	2	PLUG, pipe, ctsk. sq. sock., 3/4" P.T.	
	901656	2	PLUG, pipe, sq. hd., 1"	
38	4053639	1	PLATE, instruction	
	4046336	4	SCREW, drive	
39	4053630	1	BAFFLE, sump	



T-36111

OIL FILTER, OIL PUMP & OUTPUT SHAFT
(Torque Converter)
11000

Power Unit

USAGE: 4336863, 4337195 & 4337632 Converter Assemblies

ITEM	PART NUMBER	QTY.	DESCRIPTION	PACKAGE NO.
1	4053682	1	FILTER ASSY., oil (Incl. Item 2)	
2	4053683	1	ELEMENT KIT, oil filter	
3	4053681	1	COVER, gauge	
	4053694	2	CAPSCREW, (Incl. LOCKWASHER)	
4	4053684	1	GAUGE, temperature	

OIL FILTER, OIL PUMP & OUTPUT SHAFT (CONTINUED)
(Torque Converter)

11000

Power Unit

USAGE: 4336863, 4337195 & 4337632 Converter Assemblies

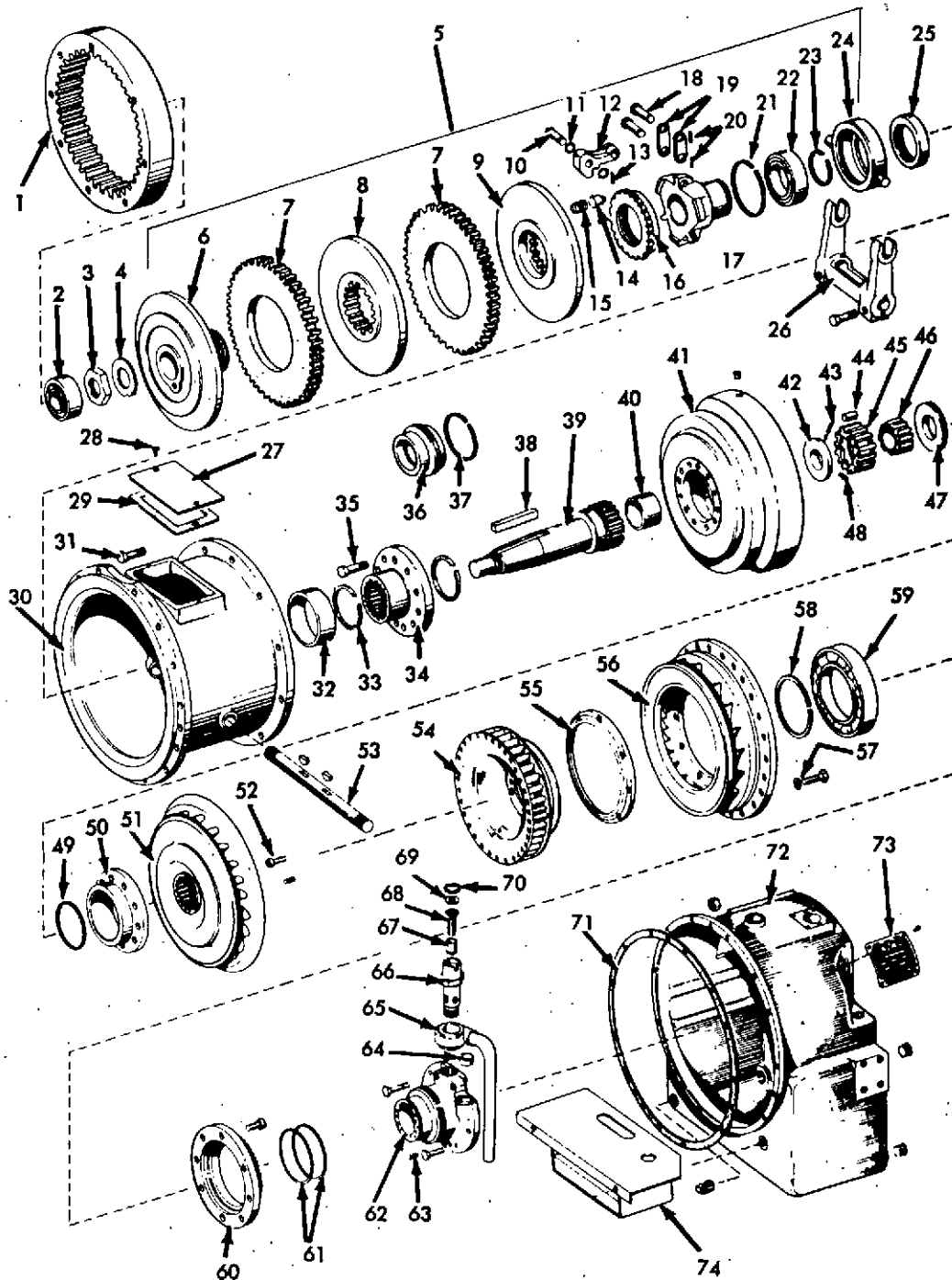
ITEM	PART NUMBER	QTY.	DESCRIPTION	PACKAGE NO.
5	4053685	1	GAUGE, pressure, oil	
6	4053695	1	SPRING, filter by-pass	
7	4053692	1	PISTON, filter by-pass	
8	4053680	1	BODY, valve and filter	
	917686	1	PLUG, pipe, ctsk. hd., 3/4" NPT	
	917673	3	PLUG, pipe, ctsk. hd., 1/8" NPTF	
	918780	2	PLUG, pipe, ctsk. hd., 1" NPT	
	916272	3	CAPSCREW, 3/8" NC x 1-1/4"	
	916271	3	CAPSCREW, 3/8" NC x 1"	
9	921459	4	PIN, dowel, oil pump and valve body	
10	4053686	1	GASKET, valve body to housing	
11	4053693	1	RING, snap, driven gear	
12	4053689	1	GEAR, driven, oil pump	
	905119	1	KEY, woodruff	
13	4053690	1	PUMP, oil	
	916271	2	CAPSCREW, 3/8" NC x 1"	
	4053697	2	WASHER, flat	
14	4053687	1	GASKET, suction tube	
15	4053696	1	TUBE ASSY., suction	
	4053694	2	CAPSCREW, (Incl. LOCKWASHER)	
16	4053643	1	O-RING, breather	
17	4053633	1	BREATHER ASSY., housing	
18	4053652	1	GASKET, cover plate	
19	4053676	1	PLATE, cover	
	915809	4	CAPSCREW, 5/16" NC x 3/4"	
20	4053646	1	TUBE, oil level gauge	
21	4053637	1	GAUGE, oil level	
22	4053675	2	CAPSCREW, clamp plate (Self-Locking)	
23	4053665	1	PLATE, clamp, inner race	
24	4053667	1	RACE, bearing, inner	
25	4053668	1	RING, snap, governor drive gear	
26	4053666	2	RING, piston, governor drive gear	
27	4053663	1	GEAR, governor drive	
28	4053660	1	BALL, steel, 1/4"	

Continued

321

OIL FILTER, OIL PUMP & OUTPUT SHAFT (CONTINUED)
 (Torque Converter)
 11000
 Power Unit
 USAGE: 4336863, 4337195 & 4337632 Converter Assemblies

ITEM	PART NUMBER	QTY.	DESCRIPTION	PACKAGE NO.
29	4053661	2	BEARING, roller, output shaft	
30	4053674	1	SHAFT, output	
31	4053664	1	KEY, output shaft	
32	4053671	*	SHIM, bearing carrier (.003" thick)	* Use as Required
	4053672	*	SHIM, bearing carrier (.005" thick)	
	4053673	*	SHIM, bearing carrier (.015" thick)	
33	4053662	1	CARRIER, bearing	
	910948	6	CAPSCREW, 3/8" NC x 2"	
34	4053670	1	SEAL, oil, output shaft	
35	4053702	1	ADAPTOR, governor drive	(Tailshaft Governor Drive No. 4336864)
	915809	4	CAPSCREW, 5/16" NC x 3/4"	
36	4053652	1	GASKET, adaptor	
37	4053700	1	RING, snap, ball bearing	
38	4053698	1	BEARING, ball, drive shaft	
39	4053699	1	RING, snap, ball bearing	
40	4053701	1	SHAFT, governor drive	
41	4053669	1	O-RING, bearing carrier (Not Illustrated)	



T-36113

CLUTCH, INPUT SHAFT & HOUSING

CLUTCH, INPUT SHAFT & HOUSING
(Torque Converter)
11000

Power Unit

* For No. 4337195 Converter w/o freewheel

** For No. 4337632 Converter w/freewheel

ITEM	PART NUMBER	QTY.		DESCRIPTION	PACKAGE NO.
		*	**		
1	4048839	1	1	RING, driving	
	903635	8	8	CAPSCREW, 3/8" NC x 2-1/2"	
	904206	8	8	LOCKWASHER, 3/8"	
2	4053705	1	1	BEARING, ball, pilot	
3	4053530	1	1	NUT, clamp, hub and back plate	
4	4053531	1	1	WASHER, clamp nut locking	
5	4054559	1	1	CLUTCH ASSY., torque converter (Incl. Items 6 thru 24)	
6	4053529	1	1	PLATE, hub and back	
7	4043088	2	2	PLATE, driving	
8	4053528	1	1	PLATE, center	
9	4050866	1	1	PLATE ASSY., floating (Incl. FLOATING PLATE & Items 10 thru 15)	
	4048981	1	1	PLATE, floating	
10	4053536	3	3	PIN, finger	
11	4046839	6	6	WASHER, spring	
12	4048978	3	3	LEVER, finger	
13	916872	3	3	PIN, roll	
14	4048977	1	1	PIN, adjusting lock	
15	4017659	1	1	SPRING, adjusting lock pin	
16	4048980	1	1	RING, adjusting	
17	4053719	1	1	SLEEVE ASSY., sliding (Incl. SLEEVE & Items 18 thru 24)	
	4053945	1	1	SLEEVE, sliding	
18	4053171	6	6	PIN, lever link	
19	4046841	6	6	LINK, lever	
20	919180	6	6	PIN, roll, 1/8" x 5/8"	
21	4053948	1	1	RING, snap, sleeve collar	
22	4053947	1	1	BEARING, ball, sleeve collar	
23	4053949	1	1	RING, snap, sleeve	
24	4053946	1	1	COLLAR, sleeve	
25	4053714	1	1	SEAL, oil input shaft	

Continued

CLUTCH, INPUT SHAFT & HOUSING (CONTINUED)
(Torque Converter)
11000

Power Unit

* For No. 4337195 Converter w/o freewheel

** For No. 4337632 Converter w/freewheel

ITEM	PART NUMBER	QTY.		DESCRIPTION	PACKAGE NO.
		*	**		
26	4053541	1	1	FORK, operating	
	914847	2	2	CAPSCREW, 3/8" NC x 1-1/2"	
27	4053712	1	1	PLATE, instruction	
28	921537	2	2	SCREW, rd. hd., 1/4" NC x 1/2" (Incl. LOCKWASHER)	
29	4017676	1	1	GASKET, instruction plate	
30	4053707	1	1	HOUSING, clutch	
	904706	12	12	CAPSCREW, 7/16" NC x 1-1/8"	} (to Flywheel Housing)
	904207	12	12	LOCKWASHER, 7/16"	
31	916383	12	12	CAPSCREW, 3/8" NF x 1-1/2"	} (to Converter Housing)
	910123	12	12	NUT, 3/8" NF	
32	4053648	1	1	BEARING, splined hub	
33	4053713	2	2	RING, snap, splined hub	
34	4053708	1	1	HUB, splined	
35	916383	12	12	CAPSCREW, 3/8" NF x 1-1/2"	
36	4053677	1	-	CARRIER, piston ring	
37	4053679	1	-	RING, piston	
38	4053710	1	1	KEY, input shaft	
39	4053715	1	1	SHAFT, input	
40	4053709	1	1	BEARING, output shaft	
41	4053625	1	1	HOUSING, rotating	
	917673	2	2	PLUG, pipe, ctsk. hd., 1/8" NPTF	
42	-----	-	1	SPACER, freewheel	4058851
	916202	-	2	PIN, roll, 1/8" x 7/8"	4058851
43	4054105	-	2	SPRING, return	4058851
44	4054108	-	14	ROLLER, freewheel	4058851
45	-----	-	1	CAGE, freewheel (Order Service Kit No. 4054111)	
46	-----	-	1	CAM, freewheel (Order Service Kit No. 4054111)	
47	-----	-	1	CARRIER, ring, piston	
48	4054103	-	5	SPRING, bumper	4058851
49	-----	-	1	RING, piston	4058851
50	4053678	1	-	PLATE, clamp	
	-----	-	1	RACE, outer, freewheel	4058851
51	4053622	1	1	WHEEL, turbine	

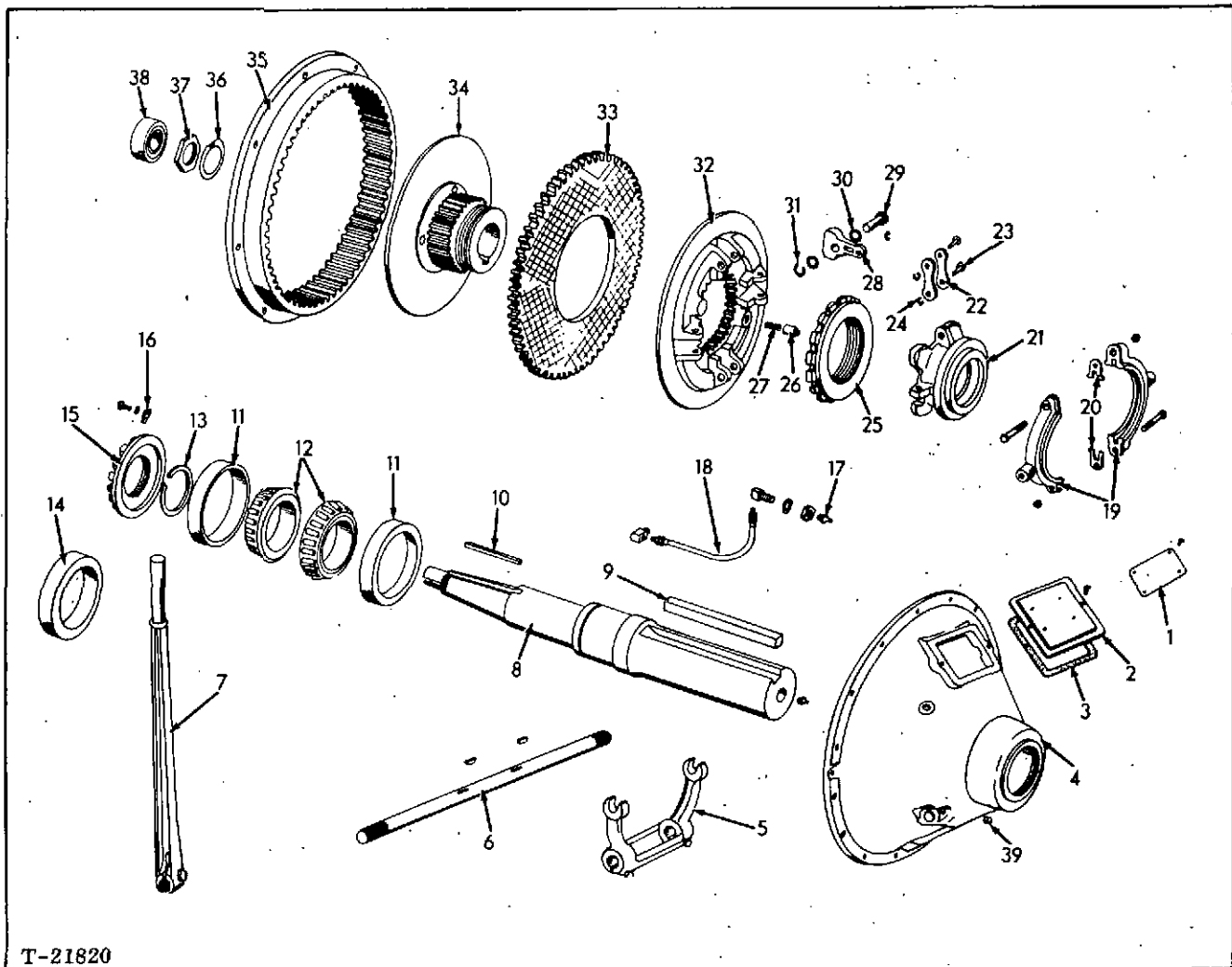
CLUTCH, INPUT SHAFT & HOUSING (CONTINUED)
 (Torque Converter)
 11000

Power Unit

* For No. 4337195 Converter w/o freewheel

** For No. 4337632 Converter w/freewheel

ITEM	PART NUMBER	QTY.		DESCRIPTION	PACKAGE NO.
		*	**		
52	4053628	6	6	CAPSCREW, guide wheel, socket hd.	
	4053626	2	2	PLATE, clamp, guide wheel capscREW (Not Illustrated)	
53	4052105	1	1	SHAFT, operating	
	905126	2	2	KEY, woodruff, 1/4" x 1"	
54	4053621	1	1	WHEEL ASSY., guide	
55	4053624	1	1	CARRIER, bearing	
56	4053620	1	1	WHEEL, impeller	
	914670	36	36	CAPSCREW, 5/16" NC x 1-1/8"	
57	4053629	36	36	WASHER, flat	
58	4053627	1	1	RING, snap, turbine wheel	
59	4053623	1	1	BEARING, ball, impeller wheel	
60	4053688	1	1	GEAR, driving, oil pump	
	915480	8	8	CAPSCREW, 3/8" NF x 1-3/4"	
61	4053641	2	2	RING, piston, guide wheel carrier	
62	4053634	1	1	CARRIER, guide wheel	
	916271	5	5	CAPSCREW, 3/8" NC x 1"	
	910948	3	3	CAPSCREW, 3/8" NC x 2"	
63	4053635	2	2	PIN, dowel, guide and bearing carrier	
64	4053631	1	1	BUSHING, governor drive shaft	
65	4053647	1	1	TUBE, regulator	
66	4053632	1	1	BODY, regulator	
	4053644	1	1	O-RING, regulator body (Not Illustrated)	
67	4053640	1	1	PISTON, regulator	
68	4053645	1	1	SPRING, regulator	
69	4053703	1	1	WASHER, regulator	
70	4053642	1	1	RING, snap, regulator	
71	4053636	1	1	GASKET, converter housing	
72	4053638	1	1	HOUSING, converter	
	917686	2	2	PLUG, pipe, ctsk. sq. sock., 3/4" NPT	
	901656	2	2	PLUG, pipe, sq. hd., 1" NPT	
73	4053704	1	1	PLATE, instruction	
	4046336	4	4	SCREW, drive	
74	4053630	1	1	BAFFLE, pump	



T-21820

POWER TAKE-OFF

10000

Power Unit

- * Heavy Duty (Standard Shaft) (4349422)
- ** Normal Duty (4348728)
- *** Heavy Duty (Extended Shaft) (4338271)

ITEM	PART NUMBER	QTY.			DESCRIPTION	PACKAGE NO.
		*	**	***		
}	4033979	1	-	-	POWER TAKE-OFF ASSY., (SAE No. 1 Housing, Heavy Duty) (Incl. Items 1 thru 13 & 15 thru 39)	
	4017787	-	1	-	POWER TAKE-OFF ASSY., (SAE No. 1 Housing, Normal Duty) (Incl. Items 2 thru 39)	
	4338276	-	-	1	POWER TAKE-OFF ASSY., (SAE No. 1 Housing, Heavy Duty) (Incl. Items 2 thru 13, 15 thru 23 & 25 thru 39)	
	914847	-	8	-	CAPSCREW, 3/8" NC x 1-1/2"	
	919230	8	-	8	CAPSCREW, 1/2" NC x 1-3/8"	
	916197	12	12	12	CAPSCREW, 7/16" NC x 1-1/4"	
	904206	-	8	-	LOCKWASHER, 3/8"	
	904208	8	-	8	LOCKWASHER, 1/2"	
	904207	12	12	12	LOCKWASHER, 7/16"	
	4033975	-	-	1	PLUG, pipe	

POWER TAKE-OFF (CONTINUED)

10000

Power Unit

* Heavy Duty (Standard Shaft) (4349422)

** Normal Duty (4348728)

*** Heavy Duty (Extended Shaft) (4338271)

ITEM	PART NUMBER	QTY.			DESCRIPTION	PACKAGE NO.
		*	**	***		
1	4033972	1	-	-	PLATE, instruction	
	4033973	4	-	-	PIN, escutcheon	
2	4033968	1	-	-	PLATE, hand hole cover	
	4017670	-	1	-	PLATE, hand hole cover	
	4055144	-	-	1	PLATE, hand hole cover	
	4046340	2	-	-	CAPSCREW	
	4253965	-	2	2	CAPSCREW, rd. hd.	
	904204	2	-	-	LOCKWASHER, 1/4"	
3	4033970	1	-	1	GASKET, cover plate	
	4017676	-	1	-	GASKET, cover plate	
4	4046850	1	-	1	HOUSING, clutch No. 1	
	4048313	-	1	-	HOUSING, clutch No. 1	
	917789	1	1	-	SETSCREW, 5/16" NC x 5/16"	
5	4017731	1	-	1	YOKE, throwout	
	4046160	-	1	-	YOKE, throwout	
	914847	2	2	2	CAPSCREW, 3/8" NC x 1-1/2"	
	916543	2	2	2	LOCKWASHER, 3/8"	
6	4046852	1	-	1	SHAFT, operating	
	4046728	-	1	-	SHAFT, operating	
	905126	2	2	2	KEY, woodruff, 1/4" x 1"	
7	4017704	1	-	1	LEVER, hand	
	4017637	-	1	-	LEVER, hand	
	916313	1	1	1	CAPSCREW, 1/2" NC x 1-3/4"	
8	4046851	1	-	-	SHAFT, clutch	
	4046282	-	1	-	SHAFT, clutch	
	4055138	-	-	1	SHAFT, clutch, extended	
	912497	1	1	1	FITTING, lube, 1/4" P.T.	
9	4047518	1	-	-	KEY	
	4046354	-	1	-	KEY	
	4335890	-	-	1	KEY (Not included in 4338276 Assy.)	

Continued

POWER TAKE-OFF (CONTINUED)

10000

Power Unit

* Heavy Duty (Standard Shaft) (4349422)

** Normal Duty (4348728)

*** Heavy Duty (Extended Shaft) (4338271)

ITEM	PART NUMBER	QTY.			DESCRIPTION	PACKAGE NO.
		*	**	***		
10	4046341	1	-	1	KEY, hub to shaft	
	906173	-	1	-	KEY, hub to shaft	
11	4254870	2	-	-	CUP, bearing, clutch shaft	
	4250837	-	2	-	CUP, bearing, clutch shaft	
	4250870	-	-	2	CUP, bearing, clutch shaft	
12	4250869	2	-	2	CONE, bearing, clutch shaft	
	4250047	-	2	-	CONE, bearing, clutch shaft	
13	4047529	1	-	1	RING, snap	
14	4017669	-	1	-	SPACER, bearing	
15	4047525	1	-	1	RETAINER, bearing	
	4017673	-	1	-	RETAINER, bearing	
16	4017674	1	1	1	LOCK, bearing	
	905661	1	1	1	CAPSCREW, 5/16" NC x 5/8"	
	910941	1	1	1	LOCKWASHER, 5/16"	
17	4044000	2	2	-	FITTING, lube	
	914465	-	-	2	FITTING, lube	
18	4017732	1	1	1	HOSE ASSY., flexible (Incl. FITTINGS)	
	916224	1	1	1	LOCKWASHER, 5/8"	
	910345	1	1	1	NUT, jam, 5/8" NF	
19	4047522	1	-	-	COLLAR ASSY., sliding sleeve (Incl. Item 20)	
	4050339	-	1	1	COLLAR ASSY., sliding sleeve (Incl. Item 20)	
	916386	2	2	2	CAPSCREW, 3/8" NF x 2-1/4"	
	917791	2	2	2	NUT, 3/8" NF	
20	4017720	2	-	2	SHIM, collar	
	4047378	-	2	-	SHIM, collar	
21	4047521	1	-	-	SLEEVE, sliding	
	4048979	-	1	-	SLEEVE, sliding	
	4052106	-	-	1	SLEEVE, sliding	
22	4017715	8	-	8	LINK, lever	
	4046841	-	6	-	LINK, lever	

POWER TAKE-OFF (CONTINUED)

10000

Power Unit

* Heavy Duty (Standard Shaft) (4349422)

** Normal Duty (4348728)

*** Heavy Duty (Extended Shaft) (4338271)

ITEM	PART NUMBER	QTY.			DESCRIPTION	PACKAGE NO.
		*	**	***		
23	4041257	8	-	-	PIN, lever link (1st Type) (Used w/Retainer Ring)	
	4054534	8	-	8	PIN, lever link (2nd Type) (Used w/Roll Pin)	
	916872	8	-	8	PIN, roll, 5/32" x 3/4" (For 2nd Type Link Pin)	
	4017663	-	6	-	PIN, lever link	
24	4017682	8	-	-	RING, snap, lever link pin (Used w/1st.Type Link Pin)	
	4017683	-	6	-	RING, snap, lever link pin	
25	4041259	1	-	1	RING, adjusting	
	4048980	-	1	-	RING, adjusting	
26	4041253	1	-	1	PIN, lock compression spring	
	4048977	-	1	-	PIN, lock compression spring	
27	4041254	1	-	1	SPRING, compression	
	4017659	-	1	-	SPRING, compression	
28	4041250	4	-	4	LEVER, finger	
	4048978	-	3	-	LEVER, finger	
29	4041251	4	-	-	PIN, finger lever (1st Type) (Used w/Retainer Ring)	
	4054531	4	-	-	PIN, finger lever (2nd Type) (Used w/Roll Pin)	
	4051941	-	-	4	PIN, finger lever (2nd Type) (Used w/Roll Pin)	
	917466	4	-	4	PIN, roll, 3/16" x 1-1/8" (For 2nd Type Pin)	
	4048983	-	3	-	PIN, finger lever	
30	4041255	8	-	8	WASHER, spring, lever pin	
	4046839	-	6	-	WASHER, spring, lever pin	
31	4041252	4	-	-	RING, snap, lever pin (Used w/1st.Type finger lever pin)	
	4017682	-	3	-	RING, snap, lever pin	
32	4041218	1	-	1	PLATE, floating	
	4048981	-	1	-	PLATE, floating	
33	4053585	1	-	1	PLATE, driving	
	4041815	-	1	-	PLATE, driving (3 Segments)	

Continued

331

POWER TAKE-OFF (CONTINUED)

10000

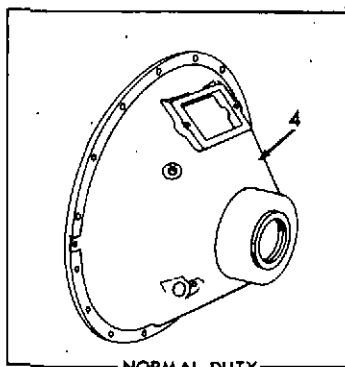
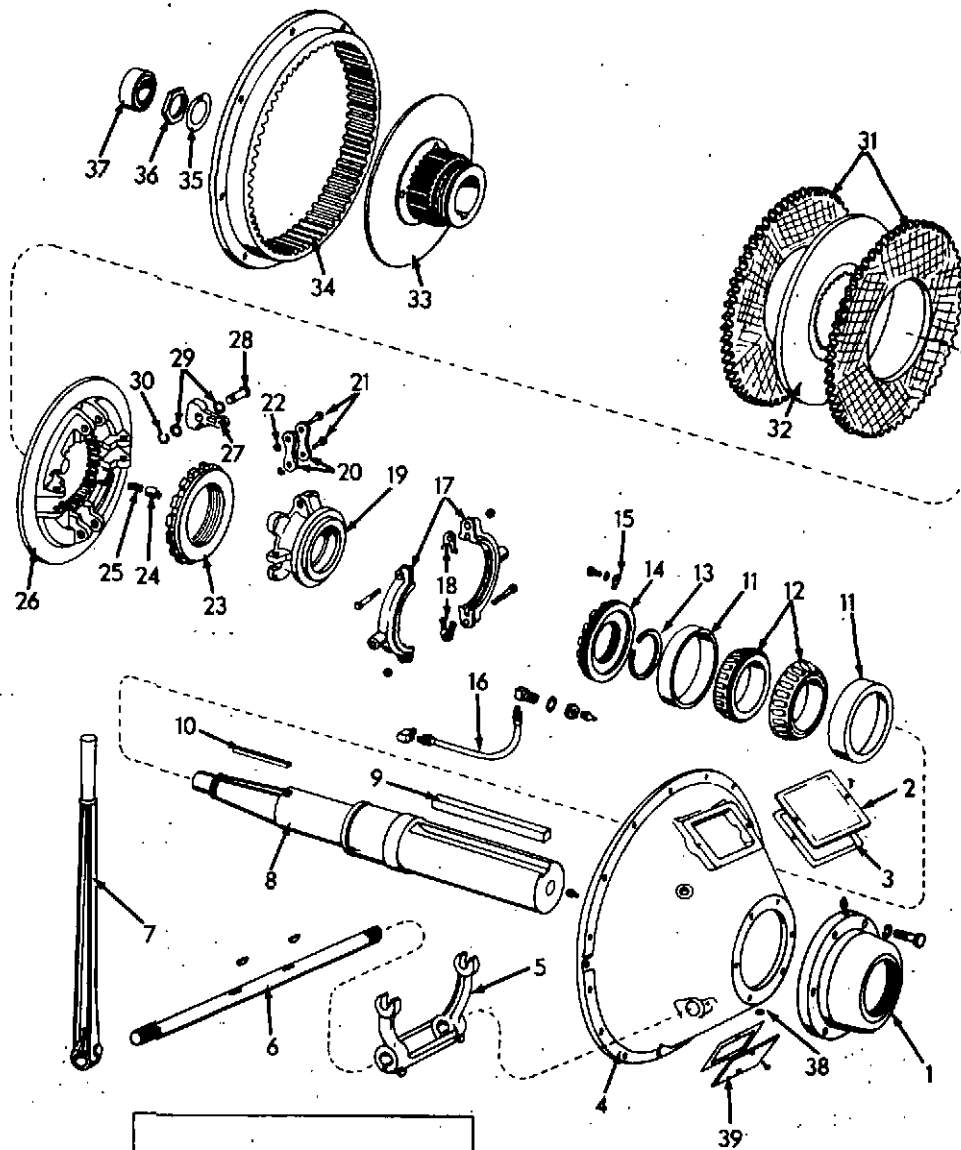
Power Unit

* Heavy Duty (Standard Shaft) (4349422)

** Normal Duty (4348728)

*** Heavy Duty (Extended Shaft) (4338271)

ITEM	PART NUMBER	QTY.			DESCRIPTION	PACKAGE NO.
		*	**	***		
34	4046855	1	-	1	PLATE, hub and back	
	4048982	-	1	-	PLATE, hub and back	
35	4046180	1	-	1	RING, driving	
	4046188	-	1	-	RING, driving	
36	4017729	1	-	1	LOCKWASHER, hub nut	
	4017672	-	1	-	LOCKWASHER, hub nut	
37	4017728	1	-	1	NUT, hub	
	4047379	-	1	-	NUT, hub	
38	4250324	1	-	-	BEARING, pilot	
	4250773	-	1	-	BEARING, pilot	
	4052189	-	-	1	BEARING, pilot	
39	4250200	2	2	-	CUP, oil	
	4053954	-	-	2	FITTING, lube	



NORMAL DUTY

T-29853

POWER TAKE-OFF

POWER TAKE-OFF

11000

Power Unit

- * Heavy Duty (Standard Shaft) (4377999) (4358666)
- ** Normal Duty (4336960)
- *** Heavy Duty (Extended Shaft) (4338272)

ITEM	PART NUMBER	QTY.			DESCRIPTION	PACKAGE NO.
		*	**	***		
}	4378000	1	-	-	POWER TAKE-OFF ASSY., (SAE No. 1 Housing) (4377999) (Incl. Items 1 thru 39) (Prior to Serial No. 120908)	
	4386645	1	-	-	POWER TAKE-OFF ASSY., (SAE No. 1 Housing) (4377999) (Incl. Items 1 thru 39) (Effective w/Serial No. 120908)	
	4358722	1	-	-	POWER TAKE-OFF ASSY., (SAE No. 1 Housing) (4358666) (Incl. Items 1 thru 39)	
	4336785	-	1	-	POWER TAKE-OFF ASSY., (SAE No. 1 Housing) (Incl. Items 2 thru 12 & 14 thru 39)	
	4338278	-	-	1	POWER TAKE-OFF ASSY., (SAE No. 1 Housing) (Incl. Items 1 thru 12 & 14 thru 39)	
	916197	-	12	12	CAPSCREW, 7/16" NC x 1-1/4"	
	912069	-	8	-	CAPSCREW, 3/8" NC x 2-1/2"	
	915987	8	-	8	CAPSCREW, 1/2" NC x 1-1/2"	
	916191	12	-	-	CAPSCREW, 7/16" NC x 1-1/2"	
	904207	12	12	12	LOCKWASHER, 7/16"	
	904206	-	8	-	LOCKWASHER, 3/8"	
904208	8	-	8	LOCKWASHER, 1/2"		
1	4017726	1	-	1	CARRIER, bearing	
	916314	6	-	6	CAPSCREW, 1/2" NC x 2"	
	4053098	-	-	6	LOCKWASHER	
	904208	6	-	-	LOCKWASHER, 1/2"	
	914465	1	-	1	FITTING, lube, 1/8" P.T.	
2	4017670	1	1	1	PLATE, hand hole, upper	
	4253965	2	2	2	CAPSCREW	
3	4017676	2	1	2	GASKET, hand hole plate	
4	4052108	1	-	1	HOUSING, clutch (SAE No. 1)	
	4053533	-	1	-	HOUSING, clutch (SAE No. 1)	
5	4053541	-	1	-	YOKE, throwout	
	4017731	1	-	1	YOKE, throwout	
	914847	2	2	2	CAPSCREW, 3/8" NC x 1-1/2"	
	916543	2	2	2	LOCKWASHER, 3/8"	
6	4046852	1	-	1	SHAFT, operating	
	4053540	-	1	-	SHAFT, operating	
	905126	2	2	2	KEY, woodruff, 1/4" x 1"	
7	4017637	-	1	-	LEVER, hand (Incl. CAPSCREW)	
	4017704	1	-	1	LEVER, hand (Incl. CAPSCREW)	
	916313	1	1	1	CAPSCREW, 1/2" NC x 1-3/4"	

Continued

POWER TAKE-OFF (CONTINUED)

11000

Power Unit

* Heavy Duty (Standard Shaft) (4377999) (4358666)

** Normal Duty (4336960)

*** Heavy Duty (Extended Shaft) (4338272)

ITEM	PART NUMBER	QTY.			DESCRIPTION	PACKAGE NO.
		*	**	***		
8	4055163	1	-	-	SHAFT, clutch, output (Part of 4386645 & 4358722)	
	4052176	1	-	-	SHAFT, clutch, output (Std.) (Part of 4378000)	
	4053535	-	1	-	SHAFT, clutch, output	
	4055139	-	-	1	SHAFT, clutch, output (Extended)	
	912497	1	1	1	FITTING, lube, 1/4" P. T.	
	4050234	1	-	-	PLUG, pipe	
	4033975	-	-	1	PLUG, pipe	
9	4253962	1	-	-	KEY, clutch shaft drive	
	4050869	-	1	-	KEY, clutch shaft drive	
	4338462	-	-	1	KEY, clutch shaft drive (Not included in 4338278 Assy.)	
10	4253964	1	-	1	KEY, hub and back plate	
	4053532	-	1	-	KEY, hub and back plate	
11	4251346	2	-	2	CUP, bearing, clutch shaft	
	4251114	-	2	-	CUP, bearing, clutch shaft	
12	4251345	2	-	-	CONE, bearing, clutch shaft (Part of 4378000)	
	4251113	-	2	-	CONE, bearing, clutch shaft	
	4251668	2	-	2	CONE, bearing, clutch shaft (Part of 4386645 & 4358722)	
13	4253966	1	-	-	RING, snap, clutch shaft	
14	4017727	1	-	-	RETAINER, bearing (Part of 4378000)	
	4053537	-	1	-	RETAINER, bearing	
	4055142	1	-	1	RETAINER, bearing (Part of 4386645 & 4358722)	
15	4017674	-	1	-	LOCK, bearing retainer	
	4017647	1	-	1	LOCK, bearing retainer	
	915809	1	-	1	CAPSCREW, 5/16" NC x 3/4"	
	905661	-	1	-	CAPSCREW, 5/16" NC x 5/8"	
	910941	1	1	1	LOCKWASHER, 5/16"	
16	4017732	1	1	1	HOSE ASSY., flexible	
	916224	1	1	1	LOCKWASHER, 5/8"	
	910345	1	1	1	NUT, jam, 5/8" NF	
	914465	1	1	1	FITTING, lube, 1/8" P. T.	

POWER TAKE-OFF (CONTINUED)

11000

Power Unit

* Heavy Duty (Standard Shaft) (4377999) (4358666)

** Normal Duty (4336960)

*** Heavy Duty (Extended Shaft) (4338272)

ITEM	PART NUMBER	QTY.			DESCRIPTION	PACKAGE NO.
		*	**	***		
17	4053538	-	1	-	COLLAR ASSY., sliding sleeve (Incl. CAPSCREWS, NUTS & Item 18)	
	4047522	1	-	1	COLLAR ASSY., sliding sleeve (Incl. CAPSCREWS, NUTS & Item 18)	
	916386	2	2	2	CAPSCREW, 3/8 NF x 2-1/4"	
	917791	2	2	2	NUT, 3/8" NF	
18	4053539	-	2	-	SHIM, collar	
	4017720	2	-	2	SHIM, collar	
19	4041258	1	-	-	SLEEVE ASSY., sliding (Incl. SLEEVE & Items 17, 20, 21 & 22) (Part of 4378000)	
	4053526	-	1	-	SLEEVE ASSY., sliding (Incl. SLEEVE & Items 17, 20, 21 & 22)	
	4041256	1	-	-	SLEEVE (Part of 4378000)	
	4053542	-	1	-	SLEEVE	
	4052106	1	-	1	SLEEVE (Part of 4386645 & 4358722)	
20	4046841	-	6	-	LINK, lever	
	4017715	8	-	8	LINK, lever	
21	4053172	-	6	-	PIN, lever link	
	4041257	8	-	-	PIN, lever link (1st Type) (Used w/Retainer Ring)	
	4054534	8	-	8	PIN, lever link (2nd Type) (Used w/Roll Pin & Cotter Pin)	
	916872	8	-	8	PIN, roll, 5/32" x 3/4" (For 2nd Type Lever Link Pin)	
	912317	8	-	-	PIN, cotter, 5/32" x 1" (f/4358722 P.T.O.)	
22	4053171	-	6	-	RING, lever link retaining	
	4017682	8	-	-	RING, lever link retaining (Used w/1st Type Lever Link Pin)	
23	4048980	-	1	-	RING, adjusting	
	4041259	1	-	1	RING, adjusting	
24	4048977	-	1	-	PIN, lock, compression spring	
	4041253	1	-	1	PIN, lock, compression spring	
25	4017659	-	1	-	SPRING, compression	
	4041254	1	-	1	SPRING, compression	

Continued

337

POWER TAKE-OFF (CONTINUED)

11000

Power Unit

* Heavy Duty (Standard Shaft) (4377999) (4358666)

** Normal Duty (4336960)

*** Heavy Duty (Extended Shaft) (4338272)

ITEM	PART NUMBER	QTY.			DESCRIPTION	PACKAGE NO.
		*	**	***		
26	4050866	-	1	-	PLATE ASSY., floating (Incl. PLATE & Items 24, 25 & 27 thru 30)	
	4048981	-	1	-	PLATE, floating	
	4041218	1	-	1	PLATE, floating	
27	4048978	-	3	-	LEVER, finger	
	4041250	4	-	4	LEVER, finger	
28	4053536	-	3	-	PIN, finger lever	
	4051251	4	-	-	PIN, finger lever (1st Type) (Used w/Retainer Ring)	
	4054531	4	-	-	PIN, finger lever (Used w/Roll Pin) (2nd Type)	
	4051941	-	-	4	PIN, finger lever (Used w/Roll Pin) (2nd Type)	
	4059977	4	-	-	PIN, finger lever (Used w/Cotter Pin)	
	917466	4	-	4	PIN, roll, 3/16" x 1-1/8" (For 2nd Type Finger Lever Pin)	
	4059978	4	-	-	PIN, cotter (f/4358722 P.T.O.)	
29	4046839	-	6	-	WASHER, spring, lever pin	
	4041255	8	-	8	WASHER, spring, lever pin	
30	4053168	-	3	-	PIN, retaining, lever pin	
	4041252	4	-	-	RING, retaining lever pin (Used w/1st Type Finger Lever Pin)	
31	4053585	2	-	2	PLATE, driving (Solid) (f/4378000 & 4386645 P.T.O.)	
	4059974	2	-	-	PLATE, driving (Solid) (f/4358722 P.T.O.)	
	4043088	-	2	-	PLATE, driving (Solid)	
32	4053528	-	1	-	PLATE, center	
	4041219	1	-	1	PLATE, center	
33	4041249	1	-	-	PLATE, hub and back (Part of 4378000)	
	4053529	-	1	-	PLATE, hub and back	
	4055143	1	-	1	PLATE, hub and back (Part of 4386645 & 4358722)	
34	4017703	1	-	1	RING, driving	
	4048839	-	1	-	RING, driving	

POWER TAKE-OFF (CONTINUED)

11000

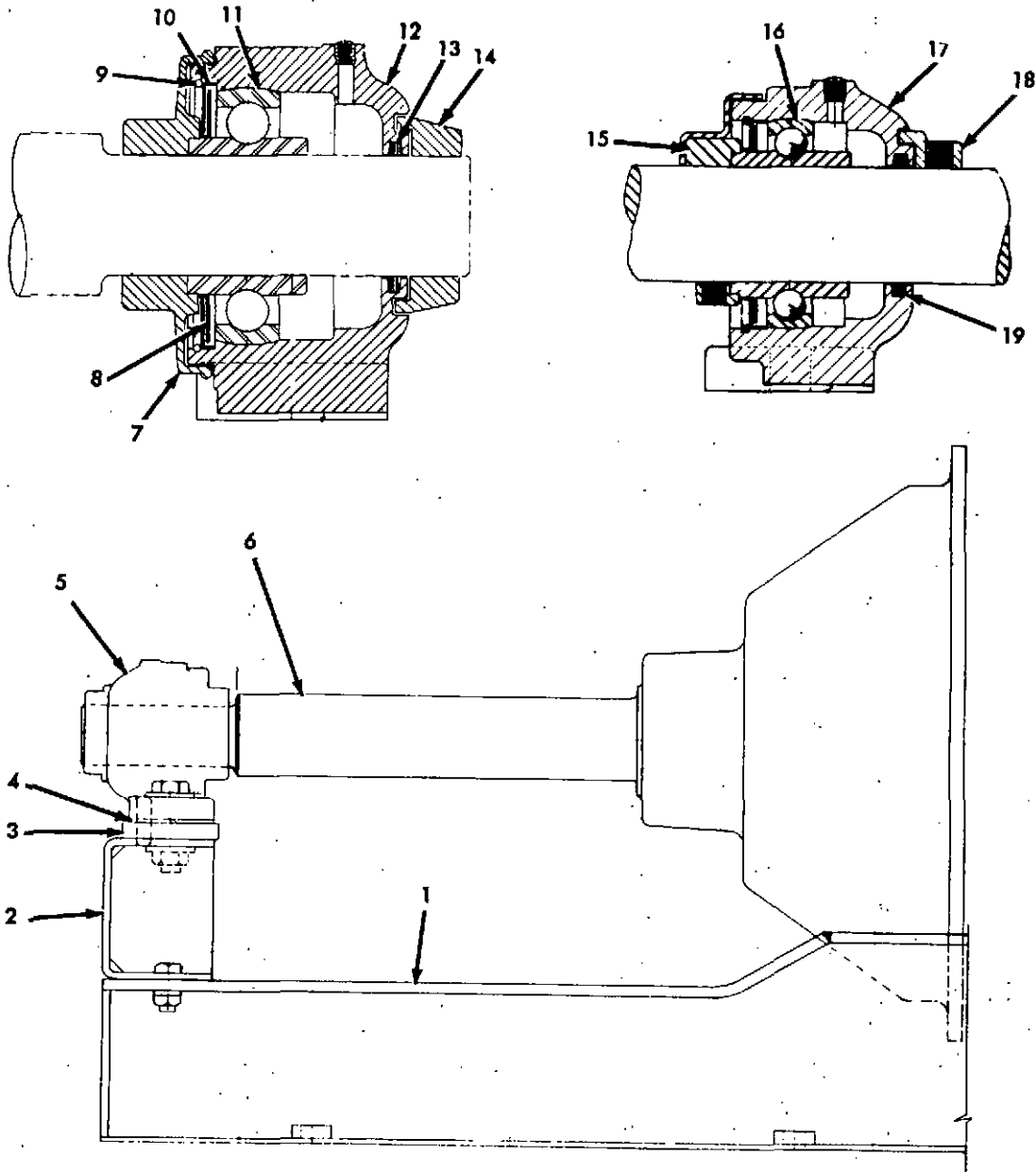
Power Unit

* Heavy Duty (Standard Shaft) (4377999) (4358666)

** Normal Duty (4336960)

*** Heavy Duty (Extended Shaft) (4338272)

ITEM	PART NUMBER	QTY.			DESCRIPTION	PACKAGE NO.
		*	**	***		
35	4017729	1	-	-	LOCKWASHER, hub nut (Part of 4378000)	
	4053531	-	1	-	LOCKWASHER, hub nut	
	4055141	1	-	1	LOCKWASHER, hub nut (Part of 4386645 & 4358722)	
36	4017728	1	-	-	NUT, hub (Part of 4378000)	
	4053530	-	1	-	NUT, hub	
	4055140	1	-	1	NUT, hub (Part of 4386645 & 4358722)	
37	4052189	1	-	1	BEARING, pilot	
	4046327	-	1	-	BEARING, pilot	
38	4250200	2	2	-	CUP, oil	
	4053954	-	-	2	FITTING, lube	
39	4017730	1	-	1	PLATE, hand hole, lower	
	4253965	2	-	2	CAPSCREW, button head	



T-36112

POWER TAKE-OFF OUTBOARD BEARING
 10000 & 11000
 Power Unit
 (Used w/Power Take-Off with Extended Shaft)
 * (4338271)
 ** (4338272)

ITEM	PART NUMBER	QTY.		DESCRIPTION	PACKAGE NO.
		*	**		
1	4338260	1	1	CHANNEL ASSY., base, R. H.	
	4338262	1	1	CHANNEL ASSY., base, L. H.	
	919234	8	8	CAPSCREW, 5/8" NC x 1-5/8" (to Front Support)	
	903792	4	4	CAPSCREW, 5/8" NC x 1-3/4" (to Flywheel Housing)	

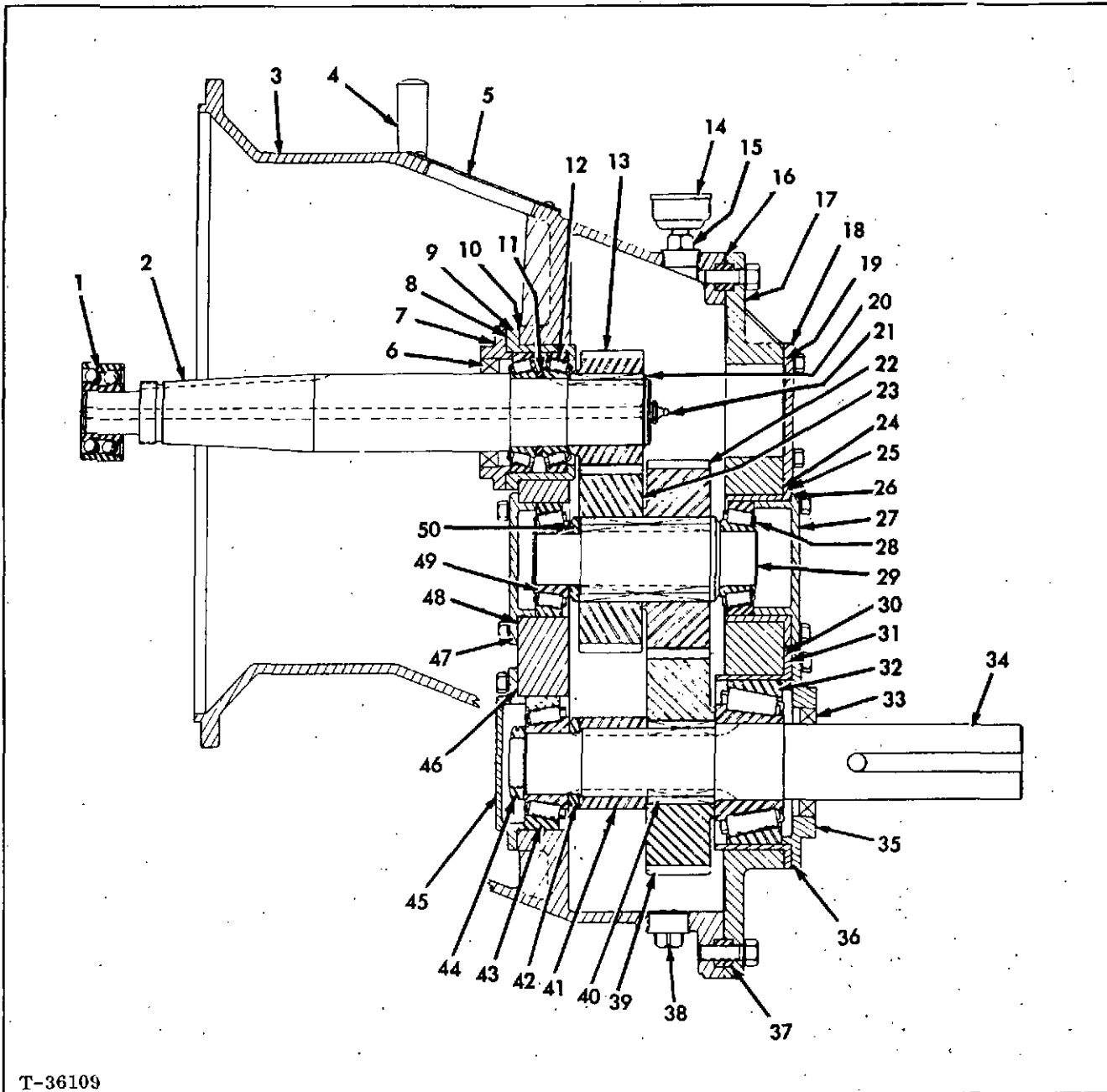
COTTA REDUCTION GEAR & ENGINE BASE (CONTINUED)

10000 & 11000

Power Unit

(Not Illustrated)

ITEM	PART NUMBER	QTY.	DESCRIPTION	PACKAGE NO.
5	919231	6	CAPSCREW, 1/2" NC x 1-7/8" (4337886)	} (4337920) (4337921)
	904208	6	LOCKWASHER, 1/2"	
	919225	4	CAPSCREW, 3/8" NC x 1-3/8"	
	904206	4	LOCKWASHER, 3/8"	
6	4367241	*	SHIM, support to base (* Use as Required) (4337886) (4337920) (4337921)	



T-36109

COTTA REDUCTION GEAR ASSEMBLY - 4337909
 10000
 Power Unit

USAGE: See Page 342

ITEM	PART NUMBER	QTY.	DESCRIPTION	PACKAGE NO.
1	-----	1	BEARING, pilot, drive shaft	
2	-----	1	SHAFT, drive	
	-----	1	KEY, drive shaft, clutch	
3	-----	1	CASE, transmission, No. 1	
	-----	1	PLUG, pipe	

COTTA REDUCTION GEAR ASSEMBLY - 4337909 (CONTINUED)

10000

Power Unit

ITEM	PART NUMBER	QTY.	DESCRIPTION	PACKAGE NO.
4	-----	1	LEVER, hand, clutch release	
5	-----	1	COVER, clutch housing	
	-----	3	SCREW, button head	
	-----	3	LOCKWASHER	
6	-----	1	SEAL, oil, drive shaft	
7	-----	1	HOUSING, drive shaft front outside	
	-----	4	CAPSCREW	
	-----	4	LOCKWASHER	
8	-----	1	GASKET, housing, drive shaft front outside	
9	-----	1	HOUSING, drive shaft front inside	
10	-----	1	GASKET, housing, drive shaft front inside	
11	-----	1	SPACER, bearing, drive shaft	
12	-----	2	BEARING, drive shaft	
13	-----	1	GEAR, drive shaft, 18-T	
	-----	1	KEY, gear, drive shaft	
14	-----	1	BREATHER, gear case	
15	-----	1	BUSHING, reducer	
16	-----	1	GASKET, rear plate, transmission case	
17	-----	1	PLATE, transmission case rear	
	-----	11	CAPSCREW	
	-----	11	LOCKWASHER	
18	-----	1	PLATE, drive shaft rear	
	-----	4	CAPSCREW	
	-----	4	LOCKWASHER	
19	-----	2	GASKET, rear plate, drive shaft	
20	-----	1	RING, snap, drive shaft gear	
21	-----	1	FITTING, lube, pilot bearing	
22	-----	1	GEAR, drive, idler shaft, 33-T	
23	-----	1	GEAR, driven, idler shaft, 28-T	
	-----	2	KEY, gear, idler shaft	
24	-----	1	GASKET, housing, idler shaft rear inside	
25	-----	1	HOUSING, idler shaft rear inside	
26	-----	1	GASKET, housing, idler shaft rear outside	
27	-----	1	HOUSING, idler shaft rear outside	
	-----	4	CAPSCREW	
	-----	4	LOCKWASHER	

Continued

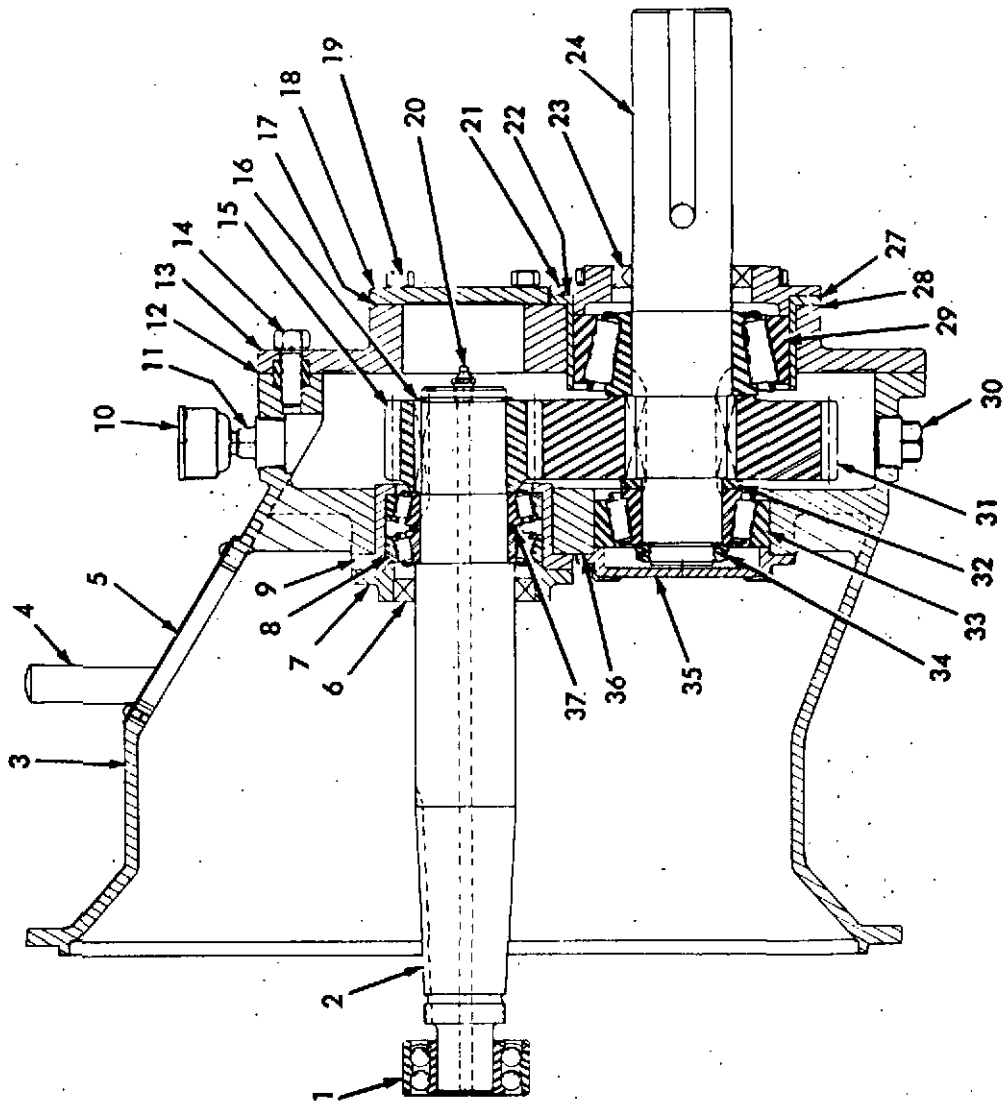
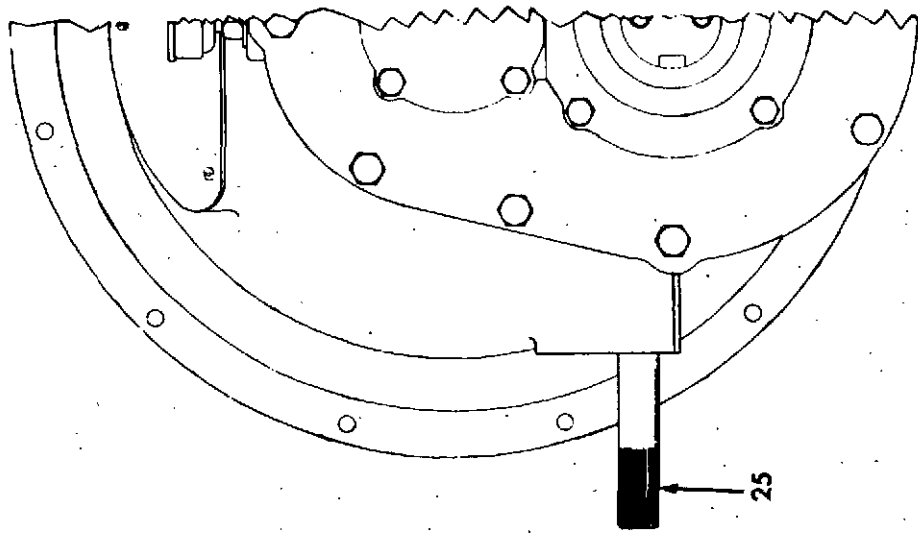
345

COTTA REDUCTION GEAR ASSEMBLY - 4337909 (CONTINUED)
10000
Power Unit

ITEM	PART NUMBER	QTY.	DESCRIPTION	PACKAGE NO.
28	-----	1	BEARING, idler shaft rear	
29	-----	1	SHAFT, idler gear	
30	-----	1	GASKET, housing, lower shaft rear inside	
31	-----	1	HOUSING, lower shaft rear inside	
32	-----	1	BEARING, lower shaft rear	
33	-----	1	SEAL, oil, lower shaft rear	
34	-----	1	SHAFT, lower, transmission	
35	-----	1	HOUSING, lower shaft rear outside	
	-----	4	CAPSCREW	
	-----	4	LOCKWASHER	
36	-----	1	GASKET, housing, lower shaft rear outside	
37	-----	4	BUSHING, rear plate pilot	
38	-----	1	PLUG, drain, magnetic	
39	-----	1	GEAR, lower shaft, 31-T	
40	-----	2	KEY, gear, lower shaft	
41	-----	1	SPACER, gear, lower shaft	
42	-----	1	WASHER, lower shaft front	
43	-----	1	BEARING, lower shaft front	
44	-----	1	NUT, bearing, lower shaft front	
	-----	1	LOCKSPRING, nut, lower shaft front	
45	-----	1	HOUSING, lower shaft front	
	-----	4	CAPSCREW	
	-----	4	LOCKWASHER	
46	-----	1	GASKET, housing, lower shaft front	
47	-----	1	HOUSING, idler shaft front	
	-----	4	CAPSCREW	
	-----	4	LOCKWASHER	
48	-----	1	GASKET, housing, idler shaft front	
49	-----	1	BEARING, idler shaft front	
50	-----	1	WASHER, idler shaft front	
51	-----	1	TUBE ASSY., tube, clutch collar (Not Illustrated)	
	-----	2	FITTING, lube	
52	-----	1	SHAFT, clutch release (Not Illustrated)	
	-----	3	KEY, woodruff	
53	-----	1	FORK, clutch release	

NOTE: Order replacement parts by description and specify Part Number and Model and Serial Number of Cotta Reduction Gear. Also, for Clutch parts refer to Specification Number 25499.

MEMO



T-36110

COTTA REDUCTION GEAR ASSEMBLY - 4337907

COTTA REDUCTION GEAR ASSEMBLY - 4337907
10000
Power Unit

USAGE: See Page 342

ITEM	PART NUMBER	QTY.	DESCRIPTION	PACKAGE NO.
1	-----	1	BEARING, pilot, drive shaft	
2	-----	1	SHAFT, drive	
	-----	1	KEY, drive shaft, clutch	
3	-----	1	CASE, transmission bell No. 1	
	-----	2	PIN, taper, No. 8	
	-----	2	PLUG, pipe	
4	-----	1	LEVER, hand, clutch release	
5	-----	1	COVER, clutch housing	
	-----	3	SCREW, button head	
	-----	3	LOCKWASHER	
6	-----	1	SEAL, oil, drive shaft	
7	-----	1	HOUSING, drive shaft front outside	
	-----	4	CAPSCREW	
	-----	4	LOCKWASHER	
	-----	6	GASKET, outside housing (Not Illustrated)	
8	-----	2	BEARING, drive shaft	
9	-----	1	HOUSING, drive shaft front inside	
	-----	6	GASKET, inside, housing (Not Illustrated)	
10	-----	1	BREATHER, transmission case	
11	-----	1	BUSHING, reducer	
12	-----	1	GASKET, rear plate, transmission case	
13	-----	1	PLATE, transmission case rear	
14	-----	9	CAPSCREW, plate	
	-----	9	LOCKWASHER	
15	-----	1	GEAR, drive shaft, 21-T	
	-----	1	KEY, drive shaft gear	
16	-----	1	RING, snap, drive shaft gear	
17	-----	1	GASKET, drive shaft rear plate	
18	-----	1	PLATE, drive shaft rear	
19	-----	4	CAPSCREW, plate	
	-----	4	LOCKWASHER	
20	-----	1	FITTING, lube, straight (Pilot Bearing)	
21	-----	1	HOUSING, lower shaft rear outside	
	-----	4	CAPSCREW, housing	
	-----	4	LOCKWASHER	
22	-----	1	GASKET, housing, lower shaft rear outside	
23	-----	1	SEAL, oil, lower shaft rear	

Continued

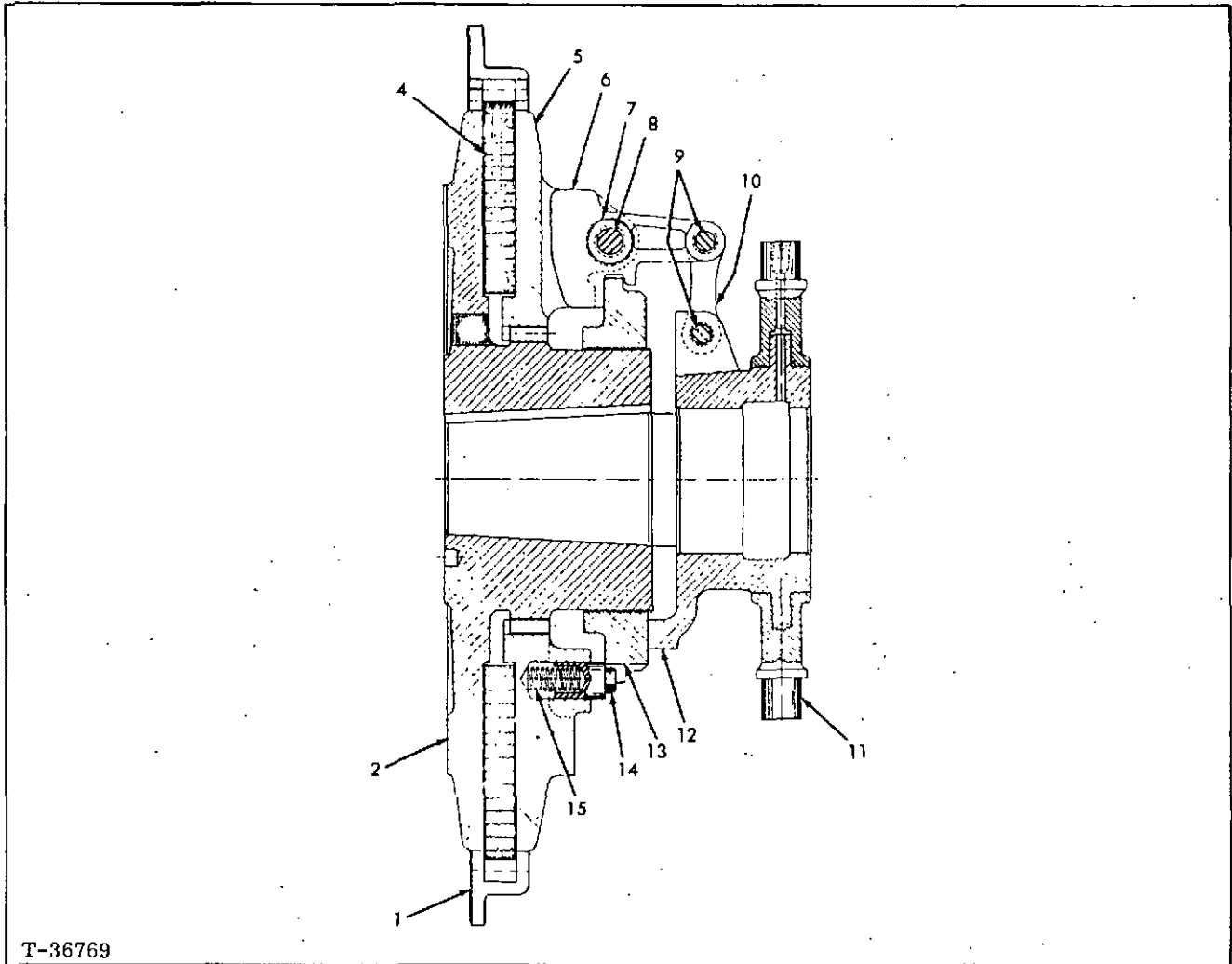
COTTA REDUCTION GEAR ASSEMBLY - 4337907 (CONTINUED)

10000

Power Unit

ITEM	PART NUMBER	QTY.	DESCRIPTION	PACKAGE NO.
24	-----	1	SHAFT, lower	
25	-----	1	SHAFT, clutch release	
	-----	2	KEY, woodruff	
26	-----	1	FORK, clutch release (Not Illustrated)	
27	-----	1	HOUSING, lower shaft rear inside	
28	-----	1	GASKET, housing, lower shaft rear inside	
29	-----	1	BEARING, lower shaft rear	
30	-----	1	PLUG, drain, magnetic	
31	-----	1	GEAR, lower shaft, 31-T	
	-----	1	KEY, lower shaft gear	
32	-----	1	WASHER, lower shaft front	
33	-----	1	BEARING, lower shaft front	
34	-----	1	NUT, bearing, lower shaft front	
	-----	1	LOCKWIRE, nut	
35	-----	1	HOUSING, lower shaft front	
	-----	4	CAPSCREW, housing	
	-----	4	LOCKWASHER	
36	-----	1	GASKET, lower shaft front housing	
37	-----	1	SPACER, bearing, drive shaft	
38	-----	1	TUBE ASSY., lube clutch collar	} (Not Illustrated)
	-----	2	FITTING, lube	

NOTE: Order replacement parts by description and specify Part Number and Cotta Model and Serial Number of Reduction Gear.



T-36769

CLUTCH ASSEMBLY
10000

Power Unit

Part of 4337907 & 4337909 Reduction Gear Assemblies

ITEM	PART NUMBER	QTY.	DESCRIPTION	PACKAGE NO.
1	-----	1	RING, driving	
2	-----	1	PLATE, hub and back, clutch	
3	-----	1	NUT, drive shaft	} (Not Illustrated)
	-----	1	LOCKNUT	
4	-----	1	PLATE, driving (3 Segments)	
5	-----	1	PLATE ASSY., floating (Incl. PLATE & Items 6, 7, 8, 14 & 15)	
6	-----	4	LEVER	
7	-----	8	WASHER, spring	
8	-----	4	PIN, lock lever	
	-----	4	PIN, roll	

Continued

CLUTCH ASSEMBLY (CONTINUED)

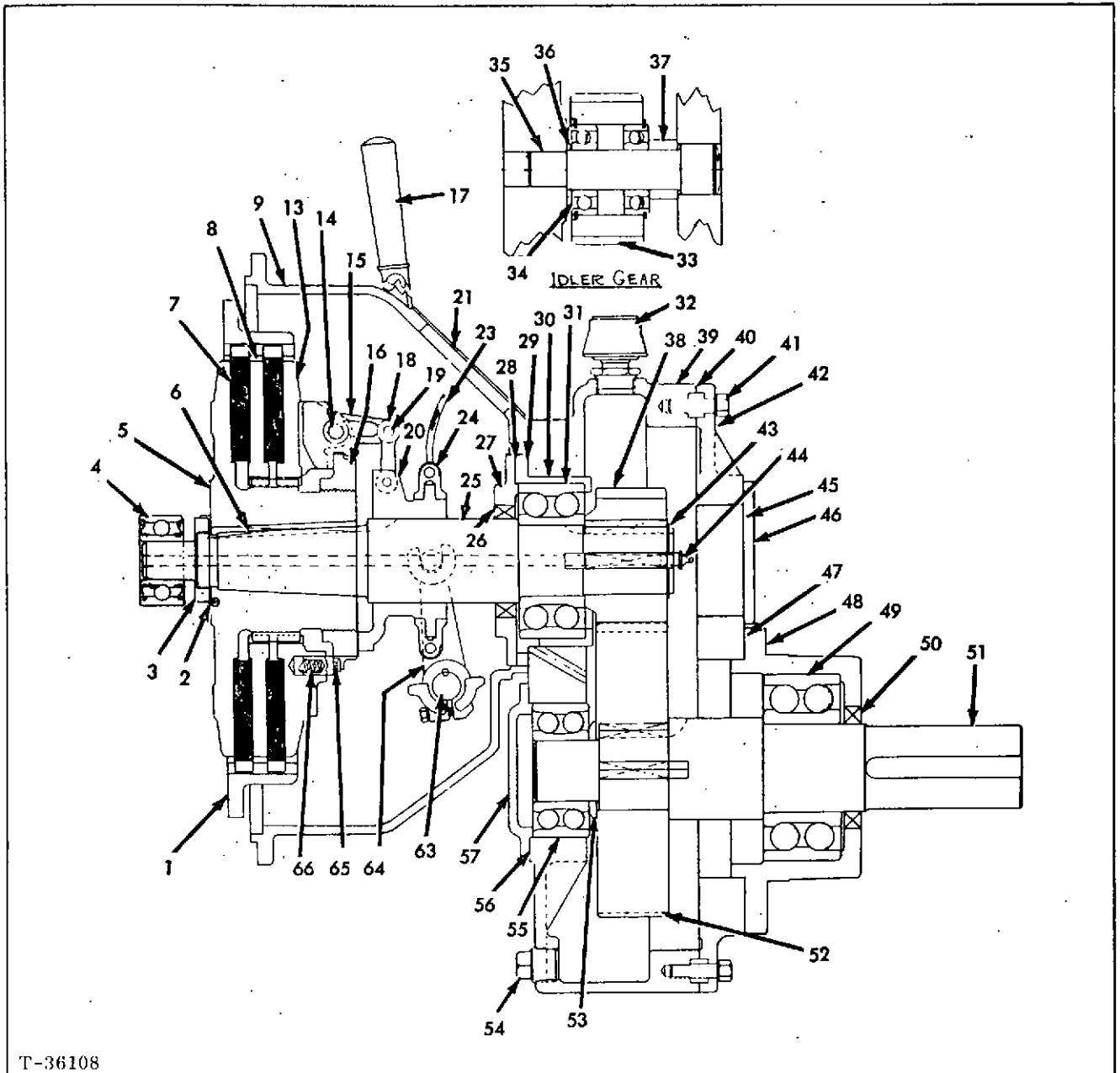
10000

Power Unit

Part of 4337907 & 4337909 Reduction Gear Assemblies

ITEM	PART NUMBER	QTY.	DESCRIPTION	PACKAGE NO.
9	----- -----	8 8	PIN, lock (Sliding Sleeve Lever Link) PIN, roll	
10	-----	8	LINK, lever (Sliding Sleeve)	
11	----- ----- ----- -----	1 2 2 2	COLLAR ASSY., sliding sleeve (Incl. COLLAR, CAPSCREWS, LOCKNUTS & SHIMS) CAPSCREW, hex. hd. LOCKNUT, capscrow SHIM	
12	-----	1	SLEEVE ASSY., sliding (Incl. SLEEVE & Items 9, 10 & 11)	
13	-----	1	RING, adjusting	
14	-----	1	PIN, lock, compression ring	
15	-----	1	SPRING, compression	

NOTE: Order replacement parts by description and specify Part Number and Cotta Model and Serial Number of Reduction Gear.



COTTA REDUCTION GEAR ASSEMBLY - 4337884, 4337923, & 4339890
11000
Power Unit

USAGE: See Page 342

ITEM	PART NUMBER	QTY.	DESCRIPTION	PACKAGE NO.
1	-----	1	RING, clutch driving	
2	-----	1	LOCKWASHER, shaft nut	
3	-----	1	NUT, shaft, drive	
4	-----	1	BEARING, pilot	
5	-----	1	PLATE, hub and back, clutch	

Continued

COTTA REDUCTION GEAR ASSEMBLY - 4337884, 4337923, & 4339890 (CONTINUED)
11000
Power Unit

ITEM	PART NUMBER	QTY.	DESCRIPTION	PACKAGE NO.
6	-----	1	KEY, drive shaft, clutch	
7	-----	2	PLATE, driving, clutch	
8	-----	1	PLATE, center	
9	-----	1	HOUSING, bell	
10	-----	4	CAPSCREW, (Drilled Head) (Not Illustrated)	} (Parts of 4337923 Reduction Gear Assembly, Only)
11	-----	6	CAPSCREW, (Drilled Head) (Not Illustrated)	
12	-----	2	COLLAR, (Not Illustrated)	
13	-----	1	PLATE, floating clutch	
14	-----	4	PIN, lever, headed	
	-----	4	PIN, roll	
	-----	8	WASHER, spring (Lever Pin)	
15	-----	4	LEVER, finger	
16	-----	1	RING, adjusting	
17	-----	1	LEVER, hand, clutch release	
18	-----	8	LINK, lever	
19	-----	8	PIN, lever link	
	-----	8	PIN, roll (Lever Link Pin)	
20	} -----	1	SLEEVE ASSY., sliding, clutch (Incl. SLEEVE & Items 18, 19 & 24)	
		1	SLEEVE, sliding	
21	-----	1	COVER, clutch housing	
22	} -----	3	CAPSCREW, (Button Head) (Part of 4337884 & 4339890 Reduction Gear Assy.) (Not Illustrated)	
		3	CAPSCREW, (Button Head) (Part of 4337923 Reduction Gear Assy.) (Not Illustrated)	
		3	LOCKWASHER, (Not Illustrated)	
23	-----	1	TUBE ASSY., lube	
	-----	1	NUT, jam	
	-----	1	FITTING, lube, 45° (Part of 4337884 & 4339890 Reduction Gear Assy.)	
24	-----	1	COLLAR ASSY., sliding sleeve (Incl. SHIMS, CAPSCREWS & LOCKNUTS)	
25	-----	1	SHAFT, drive	
26	-----	1	SEAL, oil, drive shaft	

COTTA REDUCTION GEAR ASSEMBLY - 4337884, 4337923, & 4339890 (CONTINUED)
 11000
 Power Unit

ITEM	PART NUMBER	QTY.	DESCRIPTION	PACKAGE NO.
27	-----	1	HOUSING, drive shaft front outside	
28	-----	1	GASKET, housing, drive shaft front outside	
29	-----	1	GASKET, housing, drive shaft front inside	
30	-----	1	HOUSING, drive shaft front inside	
31	-----	1	BEARING, drive shaft front	
32	-----	1	BREATHER, gear case	
	-----	1	BUSHING, reducer	
33	-----	1	GEAR, idler	} (Part of 4337884 & 4339890 Reduction Gear)
34	-----	2	BEARING, idler gear	
35	-----	1	SHAFT, idler	
	-----	1	PLUG, expansion	
	-----	1	PLUG, expansion	
	-----	1	SETSCREW, idler shaft	
	-----	1	NUT, check	
36	-----	1	SPACER, bearing, narrow	
37	-----	1	SPACER, bearing, wide	
38	-----	1	GEAR, drive shaft	
	-----	2	KEY, gear, drive shaft	
39	-----	1	CASE, reduction gear	
40	-----	1	GASKET, rear housing	
41	-----	11	CAPSCREW, rear housing	
	-----	11	LOCKWASHER	
42	-----	1	HOUSING, drive shaft rear	
43	-----	1	RING, snap, gear retaining	
44	-----	1	FITTING, lube, pilot bearing	
45	-----	1	GASKET, cover, housing	
46	-----	1	COVER, housing	
	-----	4	CAPSCREW, cover	
	-----	4	LOCKWASHER, cover capscrew	
47	-----	1	GASKET, housing, lower shaft, rear	
48	-----	1	HOUSING, lower shaft, rear	
	-----	6	CAPSCREW, housing	
	-----	6	LOCKWASHER	
49	-----	1	BEARING, rear, lower shaft	
50	-----	1	SEAL, oil, lower shaft, rear	

Continued

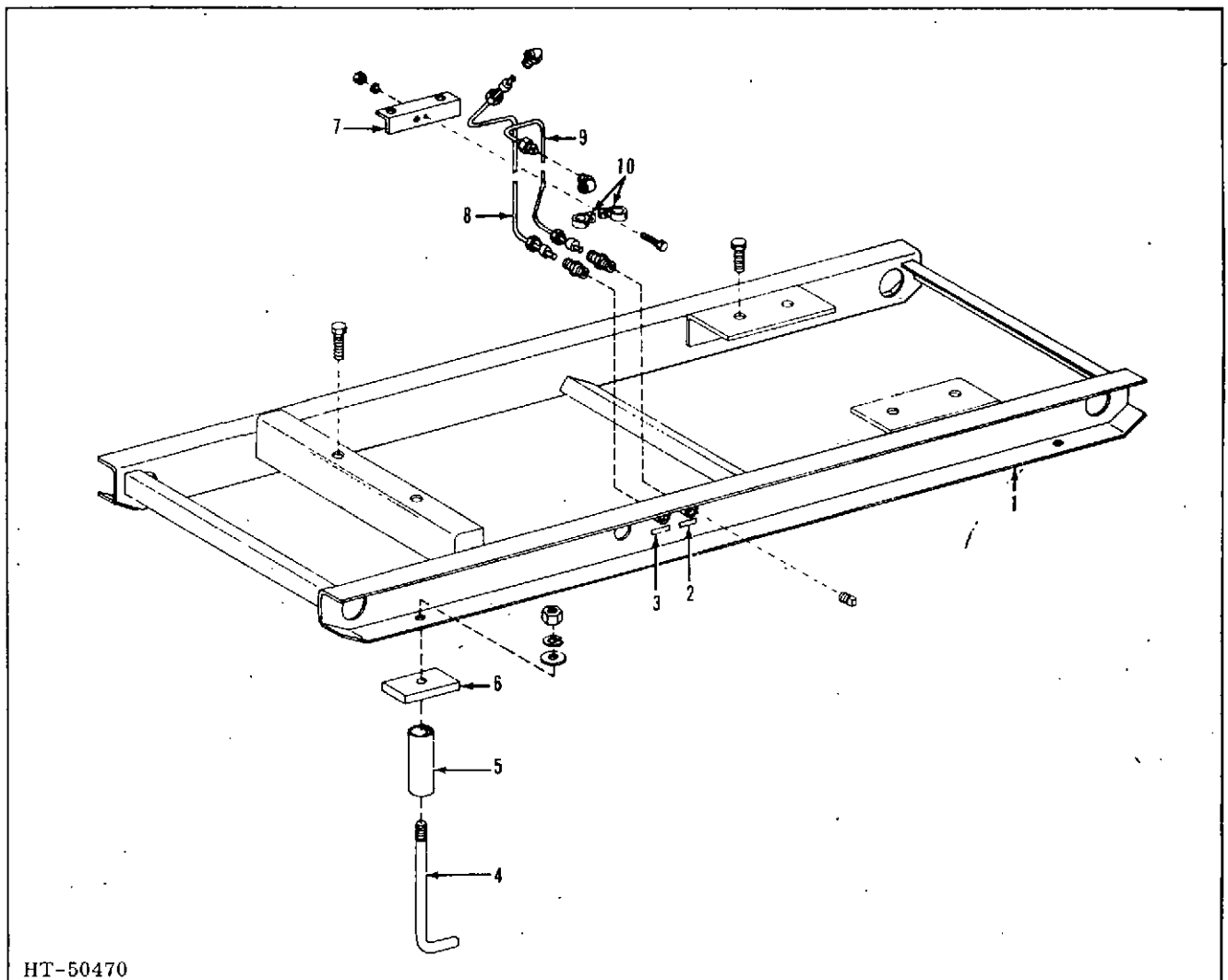
COTTA REDUCTION GEAR ASSEMBLY - 4337884, 4337923, & 4339890 (CONTINUED)

11000

Power Unit

ITEM	PART NUMBER	QTY.	DESCRIPTION	PACKAGE NO.
51	-----	1	SHAFT, lower	
52	-----	1	GEAR, lower shaft	
	-----	2	KEY, gear, lower shaft	
53	-----	1	WASHER, front, lower shaft	
54	-----	1	PLUG, drain, magnetic	
55	-----	1	BEARING, front, lower shaft	
56	-----	1	GASKET, housing, lower shaft front	
57	-----	1	HOUSING, lower shaft front	
58	-----	14	CAPSCREW	} (Not Illustrated) (Parts of No. 4337884 & 4339890 Reduction Gear Assy.)
	-----	8	CAPSCREW	
	-----	4	CAPSCREW	
	-----	5	CAPSCREW	} (Not Illustrated) (Parts of No. 4337923 Reduction Gear Assy.)
	-----	8	CAPSCREW	
	-----	10	CAPSCREW	
59	-----	14	LOCKWASHER	} (Not Illustrated) (Parts of No. 4337884 & 4339890 Reduction Gear Assy.)
	-----	12	LOCKWASHER	
	-----	7	LOCKWASHER	} (Not Illustrated) (Parts of No. 4337923 Reduction Gear Assy.)
	-----	10	LOCKWASHER	
60	-----	2	PIN, taper (Not Illustrated)	
61	-----	2	PLUG, pipe	} (Not Illustrated)
	-----	3	PLUG, pipe, ctsk. hd.	
62	-----	2	PLUG, pipe (Not Illustrated) (Part of No. 4337884 & 4339890 Reduction Gear Assy.)	
63	-----	1	SHAFT, clutch release	
	-----	2	KEY, woodruff (Clutch Shaft)	
64	-----	1	FORK, clutch release	
65	-----	1	PIN, lock, clutch compression spring	
66	-----	1	SPRING, compression, clutch	

NOTE: Order replacement parts by description and specify Part Number and Cotta Model and Serial Number of Reduction Gear.



HT-50470

SUB-BASE
11000 Diesel Electric Set
* (4430840)
** (4431036)

ITEM	PART NUMBER	QTY.		DESCRIPTION	PACKAGE NO.
		*	**		
1	4430841	1	1	SUB-BASE	
	915334	4	-	CAPSCREW, 7/8" NC x 2-1/2"	
	919379	-	4	CAPSCREW, 7/8" NC x 2-1/4"	
	915963	2	-	CAPSCREW, 5/8" NC x 2-1/4"	
	919376	-	2	CAPSCREW, 5/8" NC x 2-1/4"	
	905347	4	-	LOCKWASHER, 7/8"	
	919426	-	4	LOCKWASHER, 7/8"	
	904209	2	-	LOCKWASHER, 5/8"	
	917373	-	2	LOCKWASHER, 5/8"	
	912616	4	-	NUT, 7/8" NC	
	919424	-	4	NUT, 7/8" NC	
	910308	2	-	NUT, 5/8" NC	
	915726	-	2	NUT, 5/8" NC	
	901653	2	2	PLUG, pipe, 3/8" PT, square head	
2	4461069	1	1	PLATE, name, fuel suction	

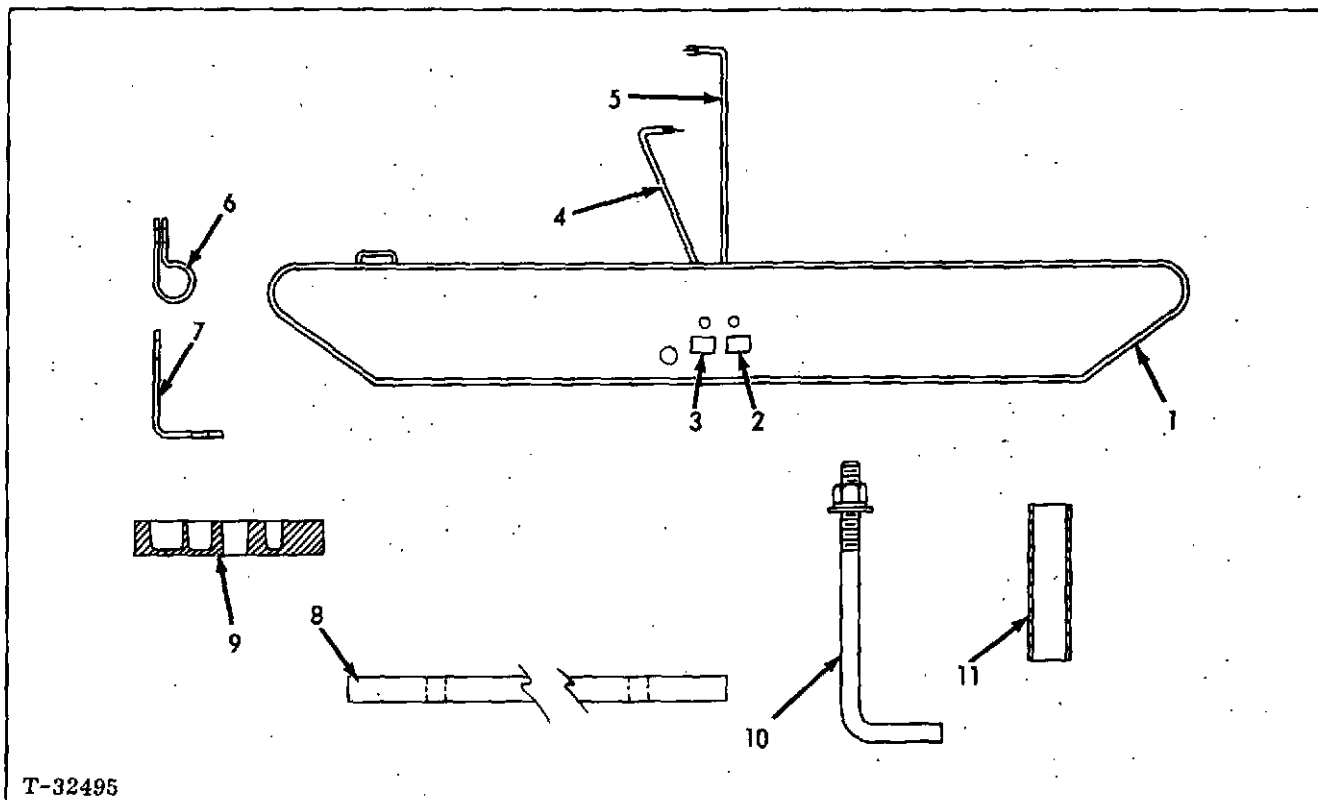
Continued

SUB-BASE (CONTINUED)
 11000 Diesel Electric Set
 * (4430840)
 ** (4431036)

ITEM	PART NUMBER	QTY. * **	DESCRIPTION	PACKAGE NO.	
3	4461070	1 1	PLATE, name, fuel return		
4	4461141	2 2	BOLT, foundation	(4430379)	
	911100	2 2	WASHER, plain, 5/8"		
	904209	2 2	LOCKWASHER, 5/8"		
	910308	2 2	NUT, 5/8" NC		
	4461142	4 4	BOLT, foundation		
	911116	4 4	WASHER, plain, 7/8"		
	905347	4 4	LOCKWASHER, 7/8"		
	912616	4 4	NUT, 7/8" NC		
	4461141	6 6	BOLT, foundation		(4430380)
	911100	6 6	WASHER, plain, 5/8"		
904209	6 6	LOCKWASHER, 5/8"			
910308	6 6	NUT, 5/8" NC			
5	4353882	6 6	TUBE, foundation bolt (4430379 & 4430380)		
6	4460173	6 6	PAD, vibration damper (rubber) (4430376)		
7	4430678	1 1	BRACKET, fuel line		
8	4431038	1 -	TUBE ASSY., filter to base (Incl. NUTS & SLEEVES)		
	4431031	- 1	TUBE ASSY., filter to base (Incl. NUTS & SLEEVES) (Prior to Serial No. 11-12822)		
	920279	1 1	CONNECTOR, 3/8" O.D. tube x 1/4" NPTF (Prior to Serial No. 11-12822 f/4431036 Group)		
	4358816	- 1	TUBE ASSY., hand primer to base (Incl. NUTS & SLEEVES) (Effective w/Serial No. 11-12822)		
	923466	- 1	CONNECTOR, 3/8" O.D. tube x 1/4" NPTF		
	901834	- 1	BUSHING, reducer, 1/8" x 1/4" NPTF		
	917810	2 2	NUT, 3/8" O.D. tube		
	917807	2 2	SLEEVE, 3/8" O.D. tube		
	920700	1 1	CONNECTOR, 3/8" O.D. tube x 3/8" NPTF		
	4431029	1 1	TUBE ASSY., overflow to base (Incl. NUTS & SLEEVES) (Prior to Serial No. 11-12822 f/4431036 Group)		
9	4358814	- 1	TUBE ASSY., overflow to base (Incl. NUTS & SLEEVES) (Effective w/Serial No. 11-12822)		
	917810	2 2	NUT, 3/8" O.D. tube		
	917807	2 2	SLEEVE, 3/8" O.D. tube		
	920700	1 1	CONNECTOR, 3/8" O.D. tube x 3/8" NPTF		
	919005	1 -	ELBOW, 3/8" NPTF x 3/8" NPTF		
	920279	- 1	CONNECTOR, 3/8" O.D. tube x 1/4" NPTF		

SUB-BASE (CONTINUED)
11000 Diesel Electric Set
* (4430840)
** (4431036)

ITEM	PART NUMBER	QTY.		DESCRIPTION	PACKAGE NO.
		*	**		
10	4251645	2	2	CLAMP, fuel line	
	903629	2	-	CAPSCREW, 3/8" NC x 3/4"	
	908127	-	2	CAPSCREW, 3/8" NC x 3/4"	
	904206	2	-	LOCKWASHER, 3/8"	
	916965	-	2	LOCKWASHER, 3/8"	
	910324	2	-	NUT, 3/8" NC	
	919650	-	2	NUT, 3/8" NC	



T-32495

FOUNDATION EQUIPMENT
 Diesel Electric Set
 * 10000
 ** 11000

ITEM	PART NUMBER	QTY.		DESCRIPTION	PACKAGE NO.
		*	**		
1	4430597	1	1	SUB-BASE	(4430662) (4430663)
	916260	4	-	CAPSCREW, 7/8" NC x 2-1/2"	
	916262	-	4	CAPSCREW, 7/8" NC x 4"	
	905347	4	4	LOCKWASHER, 7/8"	
	912616	4	4	NUT, 7/8" NC	
	915963	2	2	CAPSCREW, 5/8" NC x 2-1/4"	
	904209	2	2	LOCKWASHER, 5/8"	
	910308	2	2	NUT, 5/8" NC	
	901653	2	2	PLUG, pipe, sq. hd., 3/8" P.T.	
	2	4461069	1	1	
3	4461070	1	1	PLATE, name, fuel return	
4	4430664	1	1	TUBE ASSY., overflow to base (Incl. NUTS & SLEEVES)	
	917811	2	2	NUT, 1/2" O.D. tube	
	917808	2	2	SLEEVE, 1/2" O.D. tube	
	901479	1	1	NIPPLE, 1/4" P.T. x 1-1/2"	
	920399	2	2	ELBOW, 3/8" P.T. x 1/2" O.D.	
	904226	1	1	COUPLING, reducer, 3/8" x 1/4" P.T.	
5	4430666	1	1	TUBE ASSY., filter to base (Incl. NUTS & SLEEVES)	
	917811	2	2	NUT, 1/2" O.D. tube	
	917808	2	2	SLEEVE, 1/2" O.D. tube	
	920398	2	2	CONNECTOR, 3/8" P.T. x 1/2" O.D.	

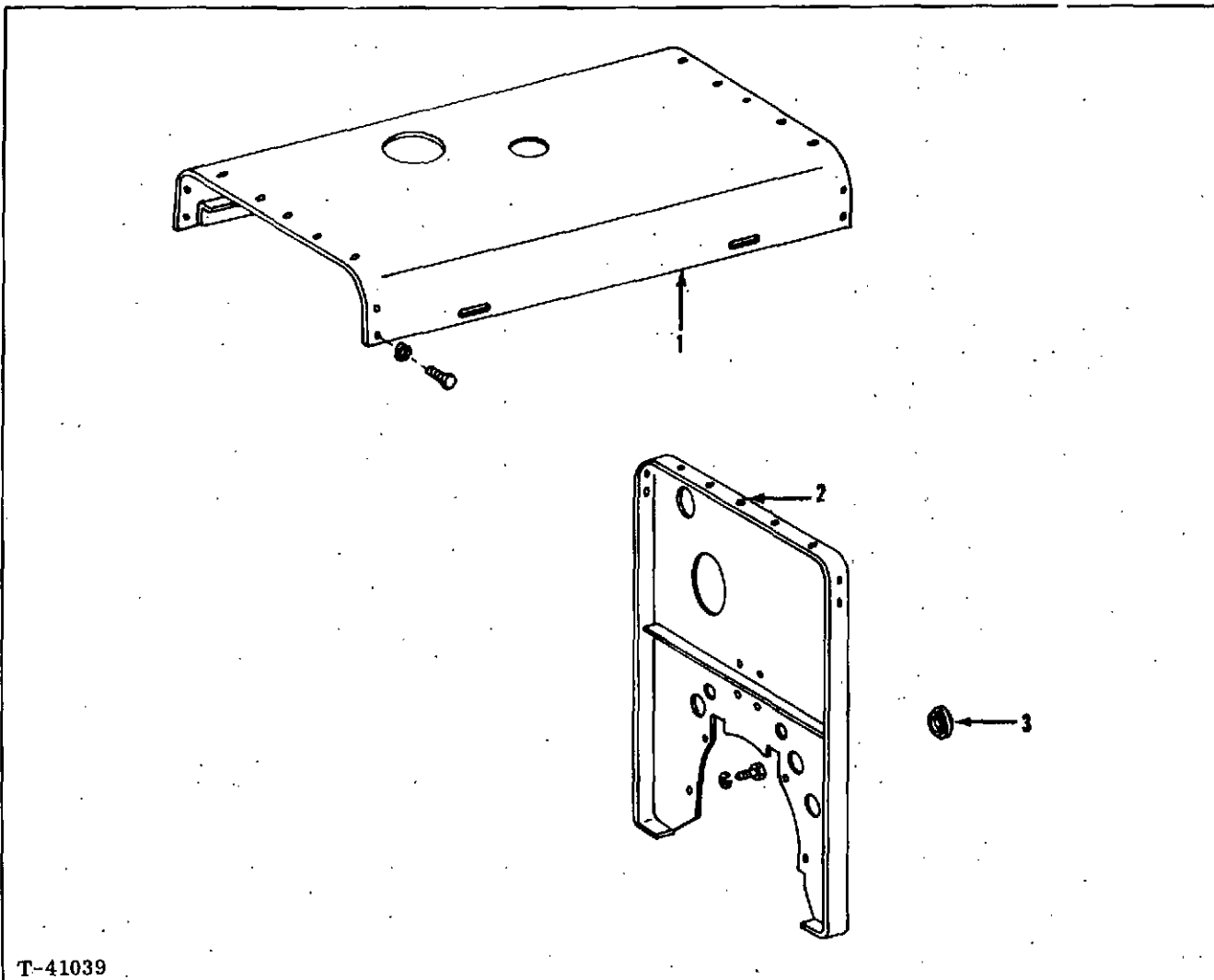
FOUNDATION EQUIPMENT (CONTINUED)

Diesel Electric Set

* 10000

** 11000

ITEM	PART NUMBER	QTY.		DESCRIPTION	PACKAGE NO.
		*	**		
6	4251849	2	2	CLAMP	(4430662) (4430663)
	915408	2	2	CAPSCREW, 3/8" NC x 3/4"	
	904206	2	2	LOCKWASHER, 3/8"	
	910324	2	2	NUT, 3/8" NC	
7	4430678	1	1	BRACKET, fuel line support	
8	4430661	-	2	SPACER	
9	4460173	6	6	PAD, vibration dampner (rubber)	(4430376)
10	4461141	2	2	BOLT, foundation	(4430379)
	911100	2	2	WASHER, plain, 5/8"	
	904209	2	2	LOCKWASHER, 5/8"	
	910308	2	2	NUT, 5/8" NC	
	4461142	4	4	BOLT, foundation	
	911116	4	4	WASHER, 7/8"	
	905347	4	4	LOCKWASHER, 7/8"	
912616	4	4	NUT, 7/8" NC		
11	4353882	6	6	TUBE, foundation bolt	
10	4461141	6	6	BOLT, foundation	(4430380)
	911100	6	6	WASHER, plain, 5/8"	
	904209	6	6	LOCKWASHER, 5/8"	
	910308	6	6	NUT, 5/8" NC	
11	4353882	6	6	TUBE, foundation bolt	



T-41039

SHEET METAL
10000 & 11000
Power Unit

ITEM	PART NUMBER	QTY.	DESCRIPTION	PACKAGE NO.	
1	4338989	1	HOOD, top (4339333)		
	916277	18	CAPSCREW, 5/16" NC x 5/8"		
	904205	18	LOCKWASHER, 5/16"		
	910323	16	NUT, 5/16" NC		
	4337138	1	HOOD, top (4336962)		
	915408	16	CAPSCREW, 3/8" NC x 3/4"		
	904206	16	LOCKWASHER, 3/8"		
	910324	16	NUT, 3/8"		
	2	4338990	1	PANEL, rear (4339333)	
		915408	4	CAPSCREW, 3/8" NC x 3/4"	
904206		4	LOCKWASHER, 3/8"		
4336793		1	PANEL, rear (Prior to Serial No. 116267 Except 115972) (4336962)		

SHEET METAL (CONTINUED)
10000 & 11000
Power Unit

ITEM	PART NUMBER	QTY.	DESCRIPTION	PACKAGE NO.
2	4338048	1	PANEL, rear (Effective w/Serial No. 116267 Plus 115972) (4336962)	
	903629	4	CAPSCREW, 3/8" NC x 3/4"	
	904206	4	LOCKWASHER, 3/8"	
3	4253949	1	GROMMET, rear panel (4336962) (4339333)	
4	4336757	2	DOOR, side (4336964) } (Not Illustrated)	
	4354834	2		DOOR, side (4339899)
5	4359167	4	LATCH, side door (4336964) (4339899) (Not Illustrated)	
6	924520	2	CHROME CAL (Allis-Chalmers) (4339333) (Not Illustrated)	

SHEET METAL
10000 & 11000
Diesel Electric Set
(Not Illustrated)

ITEM	PART NUMBER	QTY.	DESCRIPTION	PACKAGE NO.
1	4430880	1	FRAME ASSY., center	}
	918875	4	CAPSCREW, 5/16" NC x 1-1/8"	
	917356	4	LOCKWASHER, 5/16"	
	917372	4	NUT, 5/16" NC	
2	4430884	1	SUPPORT, rear panel	}
	918875	2	CAPSCREW, 5/16" NC x 1-1/8"	
	917356	2	LOCKWASHER, 5/16"	
	917372	2	NUT, 5/16" NC	
3	4430885	1	PANEL ASSY., rear	} (4430861)
	917397	4	CAPSCREW, 5/16" NC x 3/4"	
	917356	4	LOCKWASHER, 5/16"	
	917372	4	NUT, 5/16" NC	
4	4430864	1	HOOD ASSY.	}
	919319	18	CAPSCREW, 5/16" NC x 7/8"	
	919318	7	CAPSCREW, 5/16" NC x 5/8"	
	917356	25	LOCKWASHER, 5/16"	
	917372	25	NUT, 5/16" NC	
5	4431508	4	DOOR, side	}
6	4430994	4	GRILL, side door	
	919319	24	CAPSCREW, 5/15" NC x 7/8"	
	917642	24	WASHER, 5/16"	
	917356	24	LOCKWASHER, 5/16"	
	917372	24	NUT, 5/16" NC	(4430863)
7	4359167	8	LATCH, side door	

SHEET METAL AND LIFTING FRAME
 10000 & 11000
 Diesel Electric Set
 (Not Illustrated)
 * (4431024)
 ** (4431076)

ITEM	PART NUMBER	QTY.		DESCRIPTION	PACKAGE NO.
		*	**		
1	4431025	1	1	FRAME ASSY., center	
	917404	4	4	CAPSCREW, 1/2" NC x 1-1/2"	
	916966	4	4	LOCKWASHER, 1/2"	
	916951	4	4	NUT, 1/2" NC	
	918212	4	4	CAPSCREW, 7/16" NC x 1"	
	918199	4	4	LOCKWASHER, 7/16"	
2	4431067	1	1	BRACKET ASSY., lifting	
	908871	4	4	CAPSCREW, 5/8" NC x 1-3/4"	
	917373	4	4	LOCKWASHER, 5/8"	
	915726	4	4	NUT, 5/8" NC	
3	4431073	1	1	SHACKLE, anchor	
4	4430885	1	-	PANEL ASSY., rear	
	917397	4	-	CAPSCREW, 5/16" NC x 3/4"	
	917356	4	-	LOCKWASHER, 5/16"	
	917372	4	-	NUT, 5/16" NC	
5	4430884	1	-	SUPPORT, rear panel	
	918875	2	-	CAPSCREW, 5/16" NC x 1-1/8"	
	917356	2	-	LOCKWASHER, 5/16"	
	917372	2	-	NUT, 5/16" NC	
6	4430864	1	-	HOOD ASSY.	
	919318	18	-	CAPSCREW, 5/16" NC x 5/8"	
	919319	6	-	CAPSCREW, 5/16" NC x 7/8"	
	917356	24	-	LOCKWASHER, 5/16"	
	917372	24	-	NUT, 5/16" NC	

SUB-BASE AND FUEL TANK
10000 & 11000
Diesel Electric Set
(4431052) (4431056)
(Not Illustrated)

ITEM	PART NUMBER	QTY.	DESCRIPTION	PACKAGE NO.	
1	4431040	1	SUB-BASE ASSY.		
	919379	4	CAPSCREW, 7/8" NC x 2-1/4"		
	919426	4	LOCKWASHER, 7/8"		
	919424	4	NUT, 7/8" NC		
	919376	2	CAPSCREW, 5/8" NC x 2-1/4"		
	917373	2	LOCKWASHER, 5/8"		
	915726	2	NUT, 5/8" NC		
2	4431034	1	TANK ASSY., fuel		
	917400	8	CAPSCREW, 3/8" NC x 1-1/4"		
	918266	16	WASHER, plain, 3/8"		
	916965	8	LOCKWASHER, 3/8"		
	916950	8	NUT, 3/8" NC		
	901653	1	PLUG, pipe, 3/8" NPT		
	3	4431048	1	TUBE ASSY., fuel tank to hand primer (Incl. NUTS & SLEEVES) (Prior to Serial No. 11-12822) (4431052)	
920279		1	CONNECTOR, 3/8" OD tube x 1/4" NPTF		
4358839		1	TUBE ASSY., fuel tank to hand primer (Incl. NUTS & SLEEVES) (Effective w/Serial No. 11-12822) (4431052)		
901834		1	BUSHING, reducer, 1/8" x 1/4" NPTF		
923466		1	CONNECTOR, 3/8" OD tube x 1/4" NPTF		
917810		2	NUT, 3/8" OD tube		
917807		2	SLEEVE, 3/8" OD tube		
920700		1	CONNECTOR, 3/8" OD tube x 3/8" NPTF		
4		4431054	1	TUBE ASSY., fuel tank to filter (Incl. NUTS & SLEEVES)	(4431056)
		920700	1	CONNECTOR, male, 3/8" PT x 3/8" OD tube (at Fuel Tank)	
	919005	1	ELBOW, 3/8" PT x 3/8" OD tube (at Filter)		
	917810	2	NUT, 3/8" OD tube		
	917807	2	SLEEVE, 3/8" OD tube		
5	4431050	1	TUBE ASSY., overflow to fuel tank (Incl. NUTS & SLEEVES) (Prior to Serial No. 11-12822 f/4431052 Group) (4431052 & 4431056)		
	4358837	1	TUBE ASSY., overflow to fuel tank (Incl. NUTS & SLEEVES) (Effective w/Serial No. 11-12822 f/4431052 Group) (4431052 & 4431056)		
	917810	2	NUT, 3/8" OD tube		
	917807	2	SLEEVE, 3/8" OD tube		
	920700	1	CONNECTOR, 3/8" OD tube x 3/8" NPTF		
	920279	1	CONNECTOR, 3/8" OD tube x 1/4" NPTF		
	6	4430678	1	BRACKET, tube support	
7	4251645	2	CLAMP, fuel tube		
	908127	2	CAPSCREW, 3/8" NC x 3/4"		
	916965	2	LOCKWASHER, 3/8"		
	916950	2	NUT, 3/8" NC		

SUB-BASE AND FUEL TANK (CONTINUED)

10000 & 11000

Diesel Electric Set

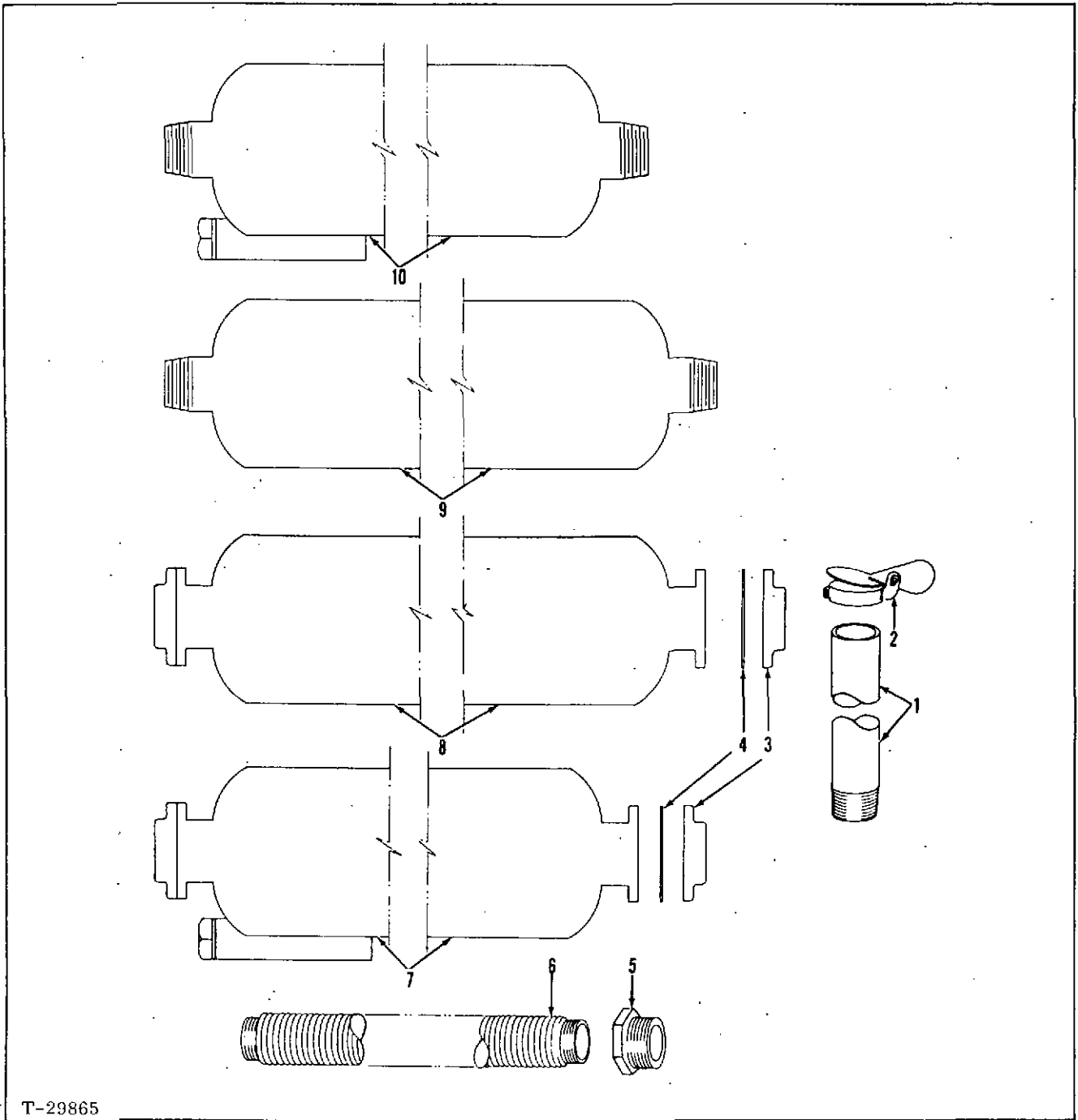
(4431052) (4431056)

(Not Illustrated)

ITEM	PART NUMBER	QTY.	DESCRIPTION	PACKAGE NO.
8	4431053	1	GAUGE, fuel level	
9	4461069	1	PLATE, name, fuel suction	
10	4461070	1	PLATE, name, fuel return	

BASE
Power Unit
* 10000
** 11000
(Not Illustrated)

ITEM	PART NUMBER	QTY.		DESCRIPTION	PACKAGE NO.
		*	**		
1	4337985	1	-	BASE, channel, R. H. (4338035)	
	4339973	1	1	BASE, channel, R. H. (4338034) (4338037)	
	4337983	-	1	BASE, channel, R. H. (4338036)	
	919234	4	4	CAPSCREW, 5/8" NC x 1-5/8" (to Front Support)	
	916221	2	2	CAPSCREW, 5/8" NC x 1-3/4" (to Flywheel Housing)	
	904209	6	6	LOCKWASHER, 5/8"	
2	910308	6	6	NUT, 5/8" NC	
	4337986	1	-	BASE, channel, L. H. (4338035)	
	4339973	1	1	BASE, channel, L. H. (4338034) (4338037)	
	4337984	-	1	BASE, channel, L. H. (4338036)	
	919234	4	4	CAPSCREW, 5/8" NC x 1-5/8" (to Front Support)	
	916221	2	2	CAPSCREW, 5/8" NC x 1-3/4" (to Flywheel Housing)	
3	904209	6	6	LOCKWASHER, 5/8"	
	910308	6	6	NUT, 5/8" NC	
	4337978	1	-	SUPPORT, torque converter (4338034) (4338035)	
	4337979	-	1	SUPPORT, torque converter (4338036) (4338037)	
4	916271	4	4	CAPSCREW, 3/8" NC x 1"	
	904206	4	4	LOCKWASHER, 3/8"	
	4338033	2	2	BRACKET, support to base (4338034, 4338035, 4338036, & 4338037)	
	913827	4	4	CAPSCREW, 5/8" NC x 1-1/4"	
	913828	4	4	CAPSCREW, 5/8" NC x 1-1/2"	
5	904209	8	8	LOCKWASHER, 5/8"	
	910308	8	8	NUT, 5/8" NC	
	4336784	2	2	BASE, channel (4336971)	
	919234	8	8	CAPSCREW, 5/8" NC x 1-5/8"	
	916221	4	4	CAPSCREW, 5/8" NC x 1-3/4"	
	904209	12	12	LOCKWASHER, 5/8"	
	910308	12	12	NUT, 5/8" NC	



T-29865

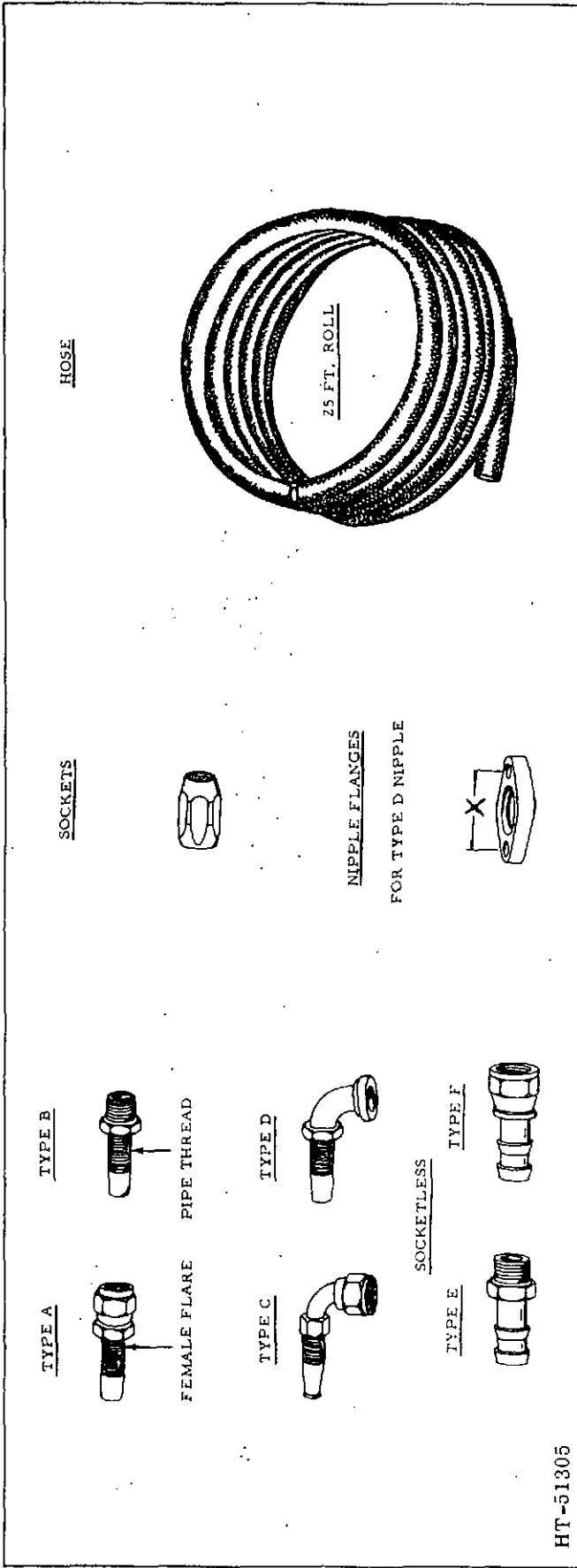
MUFFLER
 Power Unit & Diesel Electric Set
 * 10000
 ** 11000

ITEM	PART NUMBER	QTY.		DESCRIPTION	PACKAGE NO.
		*	**		
1	4254493	1	-	PIPE, exhaust, 3" IPS one end x 18" long (4254493)	
	4254839	-	1	PIPE, exhaust, 5" IPS one end x 20" long (4378098)	

Continued

MUFFLER (CONTINUED)
 Power Unit & Diesel Electric Set
 * 10000
 ** 11000

ITEM	PART NUMBER	QTY.		DESCRIPTION	PACKAGE NO.
		*	**		
2	068967	1	-	CAP, rain (068967)	
	4254371	-	1	CAP, rain (4378098)	
3	4253816	-	2	FLANGE, muffler, 5" pipe tap	} (4461232) (4461234) (4461236)
	917157	-	16	CAPSCREW, 3/4" NC x 2-3/4"	
	910200	-	16	WASHER, external tooth, 3/4"	
	910175	-	16	NUT, 3/4" NC	
4	4317495	-	2	GASKET, flange (4461232, 4461234, 4461236)	
5	920186	1	-	BUSHING, reducer, 3-1/2" x 3" (920186)	
	920212	1	-	COUPLING, reducer, 3-1/2" x 3" (920212)	
6	4403571	1	-	TUBE, flexible exhaust, 3" IPS x 18" long (4403571)	
	4406097	-	1	TUBE, flexible exhaust, 5" IPS x 24" long (4406097)	
7	4033683	-	1	MUFFLER, (Spark Arrester, Type 2, 36" Long) (4461236)	
8	4033881	-	1	MUFFLER, (Industrial, Type 1, 59" Long) (4461232)	
	4033132	-	1	MUFFLER, (Hi-Degree, Type 1, 77" Long) (4461234)	
9	4034006	1	-	MUFFLER, (Industrial, Type 1, 3-1/2" PT x 48" Long) (4034006)	
	4016652	1	-	MUFFLER, (Hi-Degree, Type 1, 3-1/2" PT x 54" Long) (4016652)	
10	4033688	1	-	MUFFLER, (Spark Arrester, Type 2, 3-1/2" PT x 54" Long) (4033688)	



HOSE PARTS

Hose Assembly No.	Bulk Hose (25' roll)	Hose Length (Inches)	Nipple (#1 End)		Nipple (#2 End)		Socket (Both Ends)	Nipple Flange		
			Including Socket	Nipple Only	Including Socket	Nipple Only		Part No.	X Dim.	
4335557	919196	7-13/16"	920847	920301	A	920833	919200	B	919143	-
4335566	920222	5-7/16"	-----	920173	D	-----	920195	D	919282	3"
4335567	920222	9-7/16"	-----	920173	D	-----	920141	D	919282	919274 #1 end 919251 #2 end
4335731	919821	9-5/16"	-----	921226	A	-----	920513	C	919820	-----
4337400	919166	41-1/2"	-----	920772	A	-----	919243	D	919164	920412
4337401	919166	48-1/2"	-----	920772	A	-----	919243	D	919164	920412
4338585	920729	14"	-----	922370	D	920923	919165	D	919164	919274 #1 end 4338643 #2 end
4357430	920388	12-13/16"	-----	920806	F	-----	920806	F	-----	-----
4358812	920388	11-1/2"	-----	920806	F	-----	920806	F	-----	-----
4378639	919166	30-1/16"	-----	920772	A	-----	919243	D	919164	920412
4378640	919166	35-1/2"	-----	920772	A	-----	919243	D	919164	920412

HT-51305

MEMO

ASSEMBLIES & PACKAGED PARTS

PACKAGE NO.	DESCRIPTION	
4354291	GASKET KIT, cylinder head	
	2	4336148 GASKET, cylinder head cover
	4	4336182 GASKET, water manifold
	2	4337764 GASKET, tappet cover
	6	4339848 GASKET, fire ring (Cyl. Hd., Front & Rear)
	6	4346138 GASKET, intake manifold
	2	4348133 GASKET, trailer tube
	6	4338511 GASKET, exhaust manifold
	1	4354294 GASKET ASSY., cyl. hd. (Front) (Incl. 3-4339848)
	1	4354295 GASKET ASSY., cyl. hd. (Rear) (Incl. 3-4339848)
	6	4378031 GASKET, injection nozzle
	4	4252796 O-RING, connector tube
	4	923574 O-RING, by-pass tube
	1	4336263 GASKET, thermostat housing
	1	4336266 GASKET, w.o. elbow
	1	4300145 GASKET, w.o. elbow
4359120	GASKET KIT, intermediate, cylinder block	
	2	035249 GASKET, oil drain plug
	2	4113897 GASKET, oil regulating valve nut
	1	923718 O-RING, oil filter
	1	923814 O-RING (Discard-Not Required)
	1	923589 O-RING, fan drive (Discard-Not Required)
	1	923815 O-RING, camshaft hold plug
	1	4335056 GASKET, water pump volute
	3	4335577 GASKET, oil filter hose
	1	4335578 GASKET, oil filter hose
	2	4335668 GASKET, oil cooler
	1	4335712 GASKET, cover plate
	1	4336345 GASKET, cover plate
	1	4336897 O-RING, flywheel housing to crankcase
	1	4346169 GASKET, oil pipe
	2	4346441 GASKET, oil pipe
	1	4346456 GASKET, water inlet elbow
	1	4346744 GASKET, water pump
	1	4347031 GASKET, water by-pass flange
	1	4347120 GASKET, oil filter hole cover
	1	4348136 GASKET, timing gear housing
	1	4348126 GASKET, timing gear cover
	1	4348184 GASKET, oil cooler water outlet
	1	4348185 GASKET, oil cooler water inlet
	2	4348215 GASKET, oil pipe
	1	4348218 GASKET, oil pipe
	1	4349011 GASKET, cover plate
	1	4354304 GASKET, oil filler
	1	4362458 GASKET, oil pump cover
	1	4371289 GASKET, oil pan cover (Discard-Not Required)
	2	4373069 GASKET, oil pan cover

ASSEMBLIES & PACKAGED PARTS (CONTINUED)

PACKAGE NO.	DESCRIPTION	
4359123	GASKET KIT, turbocharger mounting (11000)	
	1	4105451 GASKET, annular (Discard-Not Required)
	1	4335647 GASKET, turbo oil tube
	1	4335649 GASKET, turbo oil drain
	1	4336436 GASKET, turbo drain flange
	2	4336558 GASKET, turbo mounting
	1	4336764 GASKET, diffuser outlet flange
	1	4336775 GASKET, outlet elbow flange
	1	4339532 GASKET, oil drain line
	1	4339533 GASKET, oil feed line
	2	4349193 GASKET, turbo elbow
	1	4377634 GASKET, breather tube (Discard-Not Required)
	1	4379397 GASKET, diffuser flange (Discard-Not Required)
	1	4379605 GASKET, exhaust diffuser
	1	4670023 GASKET, outlet flange (Discard-Not Required)
4358752	PISTON & SLEEVE KIT (f/one Cylinder)	
	2	4255465 RETAINER, piston pin
	1	4336578 RING SET, piston (4 Rings)
	1	4337395 PIN, piston
	2	4337972 O-RING, cylinder sleeve packing
	1	4338648 SLEEVE, cylinder
4058851	FREE WHEEL KIT, torque converter	
	1	----- RING, piston
	2	916202 PIN, roll
	5	4054103 SPRING, bumper
	2	4054105 SPRING, return
	1	----- RACE, outer
	14	4054108 ROLLER
	1	----- CARRIER, ring
	1	4054649 GASKET, flat
	1	----- FREEWHEEL ASSY., cage
	1	----- CAM, freewheel

NUMERICAL INDEX

Part No.	Page	Part No.	Page	Part No.	Page	Part No.	Page	Part No.	Page
4001687	143	4017731	335	4040303	237	4040343	264	4040841	240
4003490	18	4017732	330		241	4040345	240	4040868	239
4004054	33		336		251		247	4040869	240
	37	4017787	328		259		268	4040870	240
4013450	74	4021227	124		264	4040351	244	4041015	111
4013495	156	4025229	106	4040304	237		265	4041097	131
4014781	191	4025230	106		252	4040353	239	4041103	58
4015373	159	4025385	118	4040305	234	4041369	81		62
4015851	155		119		259	4040383	162		66
4016034	191		121		266	4040384	162	4041218	331
	193	4025391	44	4040306	237	4040385	162		338
	197	4025914	41		244	4040386	162	4041219	338
4016592	190	4025968	174		252	4040493	237	4041249	338
	194	4026447	37		259		245	4041250	331
	282	4027280	27		265	4040494	238		338
4016651	198		31	4040310	239		243	4041251	331
4016652	370	4027282	27	4040312	252	4040499	237	4041252	331
4016702	194		32		259	4040514	237		338
	195	4027416	33	4040315	251	4040515	237	4041253	331
	206	4030481	145		259		244		337
4016972	145	4030808	159		264	4040516	237	4041254	331
4017637	329	4030970	342	4040321	252	4040522	237		337
	335	4031353	156		260		241	4041255	331
4017647	336	4032895	341		261	4040523	237		338
4017659	301	4033132	370	4040322	252		241	4041256	337
	309	4033683	370		259	4040539	237	4041257	331
	325	4033688	370		266		245		337
	331	4033703	208	4040323	252		252	4041258	337
	337	4033881	370		259		259	4041259	331
4017663	331	4033968	329		265		266		337
4017669	330	4033970	329	4040330	238	4040549	237	4041334	240
4017670	329	4033972	329		243		252	4041335	240
	335	4033973	329		251		259	4041337	240
4017672	301	4033975	328		260	4040550	237	4041789	229
	309		336		262		245	4041815	301
	332	4033979	328	4040335	238		252		309
4017673	330	4034006	370		243		259		331
4017674	330	4034020	207		251		266	4041829	229
	336	4034251	208		260	4040618	248	4041834	213
4017676	302	4034272	28		262	4040643	252		223
	309	4034300	29	4040336	238		260		225
	326	4034380	341		243	4040676	248	4041835	213
	329	4034456	191		251	4040680	248		223
	335		193		260	4040681	248		225
4017682	331		197		263	4040682	248	4041836	220
	337	4034469	57	4040339	252	4040761	239		221
4017683	331		64		260	4040762	240		225
4017703	338	4034474	143		262	4040766	240	4041837	212
4017704	329	4034520	207	4040340	238	4040767	239		223
	335	4034550	208		243	4040769	240		226
4017715	330	4040013	105		252	4040770	239	4041840	212
	337	4040299	237		260	4040771	240		215
4017720	330		252		262	4040772	240		224
	337		259	4040341	243	4040773	240		226
4017726	335	4040300	252		248	4040775	240	4041957	229
4017727	336		259		260	4040776	239	4042081	162
4017728	332		265		262	4040777	240	4042247	212
	339	4040302	237	4040342	251	4040778	239		215
4017729	332		241		259	4040779	240		219
	339		251		264	4040785	240		222
4017730	339		259	4040343	251	4040786	239		225
4017731	329		264		259	4040787	240	4042248	212

NUMERICAL INDEX

Part No.	Page	Part No.	Page	Part No.	Page	Part No.	Page	Part No.	Page
4042248	215	4046336	327	4048980	325	4049871	221	4050468	251
	221	4046340	329		331	4049873	212		259
	223	4046341	330		337		220		264
	225	4046354	329	4048981	301		221	4050516	123
4042249	212	4046728	329		309		223	4050519	123
	215	4046839	301		325	4049880	220	4050520	123
	219		309		331		221	4050523	123
	221		325		338	4049882	220	4050636	130
	223		331	4048982	301		222	4050637	130
	225		338		309	4049883	220	4050638	130
4042250	215	4046841	301		332		222	4050645	130
	221		309	4048983	331	4049884	222	4050646	130
	224		325	4049255	237	4049885	219	4050663	248
	225		330		241		222	4050685	111
	226		337	4049256	237	4049886	219	4050814	214
4042251	212	4046850	329		241		222	4050866	325
	214	4046851	329	4049259	237	4049888	219		338
	221	4046852	329		244		222	4050869	336
	224		335	4049260	242	4049889	219	4051038	252
	226	4046855	332	4049261	238		222		259
4042253	223	4047378	330		243	4049890	219		265
	225	4047379	301	4049262	237		222	4051039	239
4042255	219		309		242	4049891	219	4051040	251
	226		332	4049264	237		222		259
4042256	219	4047518	329		241	4049892	219		264
	226	4047521	330	4049265	237		222	4051175	214
4042259	212	4047522	330	4049282	123	4049893	222		219
	221		337	4049403	229	4049913	230		226
	223	4047525	330	4049464	341	4049917	229	4051176	226
	225	4047529	330	4049465	341	4049931	229	4051177	225
4042262	212	4047564	252	4049466	341	4050234	336	4051214	238
	214		259	4049467	341	4050277	229	4051251	338
	224	4047639	207	4049501	222	4050339	330	4051304	111
	226	4048313	329	4049502	222	4050383	226	4051410	232
4042550	213	4048596	103	4049788	221	4050385	226	4051427	240
4042910	29	4048597	100	4049789	220	4050387	226	4051444	226
4043088	325		103		222	4050389	214	4051445	213
	338	4048598	100	4049790	220	4050428	228		224
4044000	330		103		222		229		225
4044209	132	4048649	130	4049791	222	4050440	152	4051448	212
4044210	132	4048731	297	4049792	222	4050443	153		215
4044211	132		316	4049793	219	4050446	152		223
4044212	132	4048821	208		222	4050449	152		226
4044437	260	4048839	325	4049794	221	4050453	252	4051452	222
4044861	152		338	4049861	221		260	4051483	105
4044863	153	4048867	208	4049862	212		262	4051484	105
4044869	153	4048894	212		214	4050454	260	4051485	105
4045150	144	4048938	59		221	4050462	252	4051839	123
	147		65		223		260	4051924	179
4045152	207	4048977	301		226		262		181
4045863	228		309	4049863	221	4050463	266		183
4046124	208		325	4049866	214	4050464	237	4051925	179
4046160	329		331		220		244	4051941	331
4046180	332		337		221		251		338
4046188	301	4048978	301		226		259	4051963	179
	308		309	4049867	214		265	4052014	220
	332		325		220	4050466	251	4052016	219
4046282	329		331		221		259	4052105	303
4046327	339		338		226		264		310
4046336	299	4048979	330	4049868	220	4050467	251		327
	303	4048980	301		221		259	4052106	330
	319		309	4049869	221		264		337

NUMERICAL INDEX

Part No.	Page	Part No.	Page	Part No.	Page	Part No.	Page	Part No.	Page
4052108	335	4052939	260	4053356	252	4053595	260	4053639	319
4052109	179		262		260		262	4053640	319
4052110	179	4052940	252		261	4053597	81		327
	181		260	4053357	238	4053598	81	4053641	318
	183		262		243	4053599	82		327
4052112	179	4052974	81	4053358	238	4053600	81	4053642	319
	181	4052975	81	4053400	90	4053601	81		327
	183	4052977	81		94	4053602	82	4053643	305
4052116	179	4052979	81	4053412	81	4053603	181		313
	181	4052987	81	4053416	90		183		321
	183	4052988	82		94	4053605	167	4053644	319
4052124	243	4052989	81	4053417	90	4053606	167		327
	251	4052990	81		94	4053607	167	4053645	319
	260	4052991	81	4053426	81	4053608	167		327
	262	4052992	81	4053427	81	4053614	155	4053646	306
4052160	213	4052994	81	4053428	81	4053618	181		314
4052163	215	4052997	82	4053429	81		183		321
4052173	105	4053003	82	4053431	82	4053619	181	4053647	319
4052174	105	4053005	82	4053489	220		183		327
4052176	336	4053006	81	4053526	337	4053620	318	4053648	302
4052189	332	4053007	81	4053528	325		327		309
	339	4053008	82		338	4053621	318		318
4052239	240	4053009	82	4053529	325		327		326
4052241	219	4053010	81		338	4053622	318	4053649	318
4052245	220	4053032	81	4053530	325		326	4053650	318
4052246	220	4053035	130		339	4053623	318	4053651	318
4052247	220	4053036	130	4053531	325		327	4053652	306
4052555	118	4053037	130		339	4053624	318		314
4052556	117	4053058	220	4053532	336		327		321
4052606	212		226	4053533	335	4053625	318		322
	224	4053098	335	4053535	336		326	4053653	318
4052609	213	4053156	118	4053536	301	4053626	318	4053654	318
	224	4053168	338		325		327	4053655	317
4052610	223	4053171	301		338	4053627	318	4053656	318
4052611	213		325	4053537	336		327	4053657	318
	224		337	4053538	337	4053628	318	4053658	317
4052676	179	4053172	337	4053539	337		327	4053659	318
	181	4053193	238	4053540	335	4053629	298	4053660	321
	183		243	4053541	301		303	4053661	322
4052677	179	4053195	237		309		310	4053662	322
4052714	123		242	4053542	337		318	4053663	321
4052715	123	4053197	237		326		318	4053664	322
4052718	228		241	4053543	226	4053630	319	4053665	321
4052719	229	4053198	237	4053575	177		327	4053666	321
4052721	229		244	4053576	177	4053631	303	4053667	321
4052724	229	4053235	238	4053577	177		319	4053668	321
4052725	228		242	4053578	177		327	4053669	322
4052726	229		252	4053579	177	4053632	319	4053670	322
4052728	230		262	4053580	177		327	4053671	322
4052729	229	4053281	229	4053581	177	4053633	305	4053672	322
4052731	229	4053282	228	4053582	177		313	4053673	322
4052732	229	4053298	238	4053583	177		321	4053674	322
4052733	228		243	4053584	177	4053634	318	4053675	298
4052734	228		252	4053585	331		327		306
4052735	229		260		338	4053635	318		321
4052736	230		261	4053586	181		327	4053676	321
4052737	229	4053343	214		183	4053636	319	4053677	302
4052738	229	4053346	215	4053594	252		327		310
4052739	230	4053351	214		260	4053637	306		318
4052936	252	4053355	238		262		321		326
	260	4053356	238	4053595	252	4053638	319	4053678	302
4052939	252		243				327		310

NUMERICAL INDEX

Part No.	Page	Part No.	Page	Part No.	Page	Part No.	Page	Part No.	Page
4053678	318	4053702	306	4054435	259	4054649	303	4054683	310
	326		314		264		311	4054684	305
4053679	302		322	4054436	238	4054651	302		306
	310	4053703	319		243		310	4054685	305
	318		327	4054437	252	4054653	306		313
	326	4053704	299		262		313	4054686	303
4053680	305		303	4054438	240	4054654	306		310
	313		314	4054439	238	4054655	306	4054687	305
	321		327		242		313		313
4053681	305	4053705	301		251	4054656	306	4054688	305
	313		325		260		313		313
	320	4053707	326		262	4054657	307	4054689	299
4053682	304	4053708	326	4054504	240		311		306
	313	4053709	326	4054529	92	4054658	307		310
	320	4053710	326		96		311	4054690	305
4053683	304	4053712	301	4054531	331	4054659	307		313
	320		309		338		311	4054692	298
4053684	305		326	4054534	331	4054660	306	4054693	298
	313	4053713	326		337	4054661	307	4054694	298
	320	4053714	325	4054539	157	4054662	298	4054695	298
4053685	305	4053715	326	4054540	130		307	4054696	298
	313	4053719	325	4054559	325		313	4054697	298
	321	4053744	82	4054566	174	4054663	301	4054699	298
4053686	305	4053846	224	4054568	174	4054664	301	4054700	298
	313	4053847	224	4054569	174		307	4054701	298
	321	4053945	325	4054633	298		309	4054703	298
4053687	321	4053946	325		303	4054665	302	4054704	299
4053688	318	4053947	325		310		310	4054705	299
	327	4053948	325	4054634	298	4054666	302	4054706	306
4053689	321	4053949	325		303		310	4054707	299
4053690	321	4053954	332		310	4054667	302	4054708	299
4053692	299		339	4054635	298		309	4054709	298
	303	4054000	240		302	4054668	302	4054710	298
	305	4054046	82		310		310	4054711	299
	311	4054076	153	4054636	302	4054669	302	4054712	299
	313	4054077	152		310		309	4054713	299
	321	4054078	152	4054637	298	4054670	302	4054715	306
4053693	305	4054079	152		302		310	4054716	299
	313	4054080	152		310	4054671	310	4054718	299
	321	4054081	152	4054638	303	4054672	299	4054719	298
4053694	299	4054082	152		310		303	4054721	306
	305	4054083	152	4054639	298		310	4054722	306
	313	4054084	152		302	4054673	303	4054723	306
	320	4054085	152		310		311	4054724	299
	321	4054086	152	4054640	303		311	4054725	306
4053695	305	4054103	302		310	4054674	299	4054726	306
	313		311	4054641	298		303	4054727	306
	321		326		303		311	4054728	306
4053696	321	4054105	302	4054642	301	4054675	303	4054729	299
4053697	321		311		303	4054677	303	4054730	307
4053698	306		326		309		311	4054731	307
	314	4054107	220		310	4054678	303	4054733	306
	322	4054108	302	4054643	301		310	4054734	305
4053699	299		311		309	4054680	299	4054735	298
	306		326	4054644	301		303	4054736	305
	314	4054151	246		309		311	4054737	305
	322		267	4054645	301	4054681	303	4054738	305
4053700	306	4054432	238		309		311	4054739	305
	314	4054434	251	4054646	301	4054682	299	4054740	307
	322		259		309		303	4055029	82
4053701	305		264	4054647	301		311	4055031	174
	322	4054435	251		309	4054683	306	4055032	174

NUMERICAL INDEX

Part No.	Page	Part No.	Page	Part No.	Page	Part No.	Page	Part No.	Page
4055033	174	4055352	215	4056287	85	4058899	251	4252796	136
4055034	174	4055353	214	4056289	85		260	4253106	57
4055082	92	4055354	214	4056290	85	4058943	214	4253195	59
	96	4055396	229	4056291	85	4058944	215		62
4055083	92	4055401	229	4056293	85	4058945	215		65
	96	4055471	295	4056294	85	4059024	85	4253270	68
4055114	81	4055490	295	4056295	85	4059029	85		69
4055138	329	4055504	295	4056296	85	4059030	85		71
4055139	336	4055505	295	4056297	86	4059049	85	4253435	115
4055140	339	4055506	295	4056298	85	4059050	85	4253452	255
4055141	339	4055507	295	4056300	85	4059051	86	4253453	43
4055142	336	4055508	295	4056302	85	4059380	174	4253467	74
4055143	338	4055509	295	4056303	85	4059381	174	4253490	33
4055144	329	4055510	295	4056305	85	4059544	261		37
4055154	172	4055511	295	4056309	229	4059545	262	4253653	229
4055155	172	4055512	295	4056314	85	4059546	264	4253751	58
4055156	172	4055513	295	4056324	215	4059547	262		61
4055157	172	4055514	295	4056325	215	4059548	262		65
4055158	172	4055515	295	4056326	214	4059549	262	4253766	207
4055159	172	4055516	295	4056353	262	4059553	262		211
4055160	172	4055517	295	4056412	243	4059620	130	4253771	43
4055161	172	4055518	295	4056425	262	4059974	338	4253773	209
4055162	172	4055519	295	4056426	243	4059977	338	4253797	210
4055163	336	4055520	295	4056517	174	4059978	338	4253816	370
4055175	280	4055521	295	4056518	174	4110730	243	4253860	229
4055195	85	4055522	295	4056519	174		262	4253862	162
4055207	341	4055523	295	4056520	174	4112723	244	4253863	162
4055208	341	4055524	295	4056521	174		245	4253922	132
4055209	341	4055525	295	4056524	174		247	4253949	363
4055210	341	4055526	265	4056525	174		265	4253962	336
4055211	341	4055527	266	4056560	244		266	4253964	336
4055213	341	4055528	266	4056573	314		268	4253965	298
4055214	341	4055529	266	4056574	311	4113897	14		299
4055272	246	4055556	266	4056575	314	4114622	132		329
	267	4055557	245	4056576	314		147		335
4055273	246		266	4056577	314	4181061	85		339
	267	4055558	266	4056578	309	4250024	203	4253966	336
4055274	246	4055563	105	4056579	309	4250047	330	4254151	252
	267	4055617	184	4056580	309	4250200	332		259
4055275	246		187	4056581	313		339		265
	267	4055633	185	4056582	313	4250324	332	4254154	208
4055276	247	4055798	214	4056583	313	4250773	332	4254291	135
	268	4055800	214	4056584	308	4250837	330	4254294	139
4055277	247	4055913	105	4056585	310	4250869	330	4254347	185
	268	4056068	162	4056586	314	4250870	330		186
4055278	246	4056128	244	4056587	311	4250898	19	4254363	46
	267	4056129	245	4056588	314	4251113	336	4254371	370
4055279	246	4056130	244	4056596	222	4251114	336	4254493	369
	267	*4056131	246	4056597	212	4251141	55	4254761	106
4055280	268	*4056132	245	4056633	105	4251345	336	4254804	145
4055281	247	4056133	244	4058820	174	4251346	336		147
	268	**4056135	246	4058821	174	4251593	70		159
4055282	247	**4056136	82	4058845	265	4251645	289	4254839	369
	268	4056137	82	4058851	11		291	4254870	330
4055283	247	4056176	157		302		359	4254891	34
	268	4056180	229		303		366		38
4055325	229	4056182	309		311	4251668	336	4254964	185
4055326	231	4056232	162		326	4251849	208		186
4055341	247	4056256	120	4058892	212		361	4254968	73
	268		122	4058893	212	4251856	146		77
4055349	215	4056265	247	4058898	238	4252241	162		168
4055351	215		268		243	4252796	134		171
		4056286	85	4058899	232				

NUMERICAL INDEX

Part No.	Page	Part No.	Page	Part No.	Page	Part No.	Page	Part No.	Page
4254977	50	4335048	55	4335668	148	4336202	67	4336566	117
4254991	70	4335050	52	4335711	34	4336209	117	4336568	123
	73	4335056	132		37	4336234	45	4336577	51
	77	4335067	34	4335712	34	4336249	118	4336586	41
4255003	83		37		37		120	4336588	73
	87	4335152	56		207		122	4336589	104
4255009	176	4335153	55		211	4336250	118	4336596	142
4255010	115	4335167	55	4335731	74		120		148
4255011	151	4335168	55	4335737	270		122	4336598	227
4255012	137	4335264	55		272	4336258	163	4336601	42
	159	4335269	281		274	4336260	135	4336602	42
4255013	145	4335320	132		276	4336261	135	4336604	28
	147	4335334	57		278	4336263	135	4336609	28
	159		64		282		137	4336615	73
4255017	111	4335335	61	4335773	35	4336266	135	4336620	74
4255020	111		64		37	4336267	135		77
4255067	144	4335336	61	4335777	15		139	4336621	28
4255134	299		65	4335807	132	4336268	135	4336632	227
	303	4335338	57	4335808	132	4336322	161	4336646	45
	311		60	4335814	216	4336345	34	4336687	111
4255171	175	4335339	58		217	4336346	34	4336728	133
4255219	100	4335348	59	4335817	216	4336381	51	4336757	363
4255286	174		62	4335818	216	4336384	51	4336758	41
4255343	29		66	4335819	216	4336385	51	4336761	83
4255347	76	4335352	58		217	4336386	51		87
4255370	184		62	4335840	216	4336406	47	4336762	83
4255465	21		66	4335841	216	4336418	42	4336763	83
4255473	158	4335369	13		217	4336419	42	4336764	83
4255586	19	4335371	34	4335856	216	4336432	14		87
4255587	163		38		217	4336436	13	4336765	134
4255598	227	4335382	51	4335857	216		17		136
4255916	47	4335384	52		217		73	4336773	135
4300145	137	4335451	137	4335878	190		78	4336775	83
4303694	27	4335454	16	4335890	329	4336454	67		88
	31	4335455	16	4335901	190	4336470	274	4336777	162
4303737	30	4335456	16	4335910	190	4336491	34	4336784	368
4304889	203	4335476	163	4335911	189		37	4336785	335
4304907	27	4335534	14	4335977	100		147	4336787	177
4304980	52	4335550	34	4336038	100	4336524	34	4336791	177
4305073	13		37	4336040	202	4336530	118	4336792	177
4305476	29		147	4336070	154		120	4336793	362
	31	4335557	90		159	4336531	118	4436795	278
	55		92	4336127	42		120		279
4310257	139		94	4336128	43		122	4336796	179
4311548	201		96	4336129	41	4336532	118	4336797	179
4311869	55	4335566	60	4336130	41		120	4336798	176
4312302	193		62	4336131	41		122		185
	196	4335567	60	4336142	46	4336540	117	4336800	156
	199		62	4336143	45	4336541	117	4336804	269
4315259	144	4335577	60	4336145	45	4336542	117		271
4316073	227		62	4336146	43	4336543	117		273
4317495	370		63	4336148	41	4336544	117		275
4317553	137	4335578	60	4336153	41	4336545	117		277
	141		62	4336156	134	4336546	111		281
4317554	137		63		136		113	4336805	20
	141	4335623	68	4336157	41		114	4336808	155
4320227	51	4335639	148	4336174	255	4336547	111	4336809	269
4330872	193	4335647	74	4336177	275		113		271
	197	4335649	74	4336178	42		114		273
4335000	55	4335666	58	4336182	70	4336549	111		275
4335022	16		61		134	4336558	71		277
	35		65		136		78		281

NUMERICAL INDEX

Part No.	Page	Part No.	Page	Part No.	Page	Part No.	Page	Part No.	Page
4336810	135	4337165	271	4337346	132	4337690	19	4337914	342
4336814	177	4337167	25	4337369	180	4337698	19	4337916	342
4336828	89	4337168	25		182	4337699	19	4337918	342
4336829	89	4337175	26	4337370	180	4337700	20	4337923	342
4336830	89	4337177	26		183	4337701	21	4337924	296
4336831	89	4337180	26	4337371	179	4337702	21	4337925	296
4336832	89	4337183	276		181	4337703	21	4337926	296
4336833	89	4337187	109		185	4337704	22	4337943	25
4336834	89	4337195	315		187	4337705	22	4337958	270
4336835	90	4337205	74	4337375	71	4337710	19		274
	93	4337210	142	4337379	74	4337711	19	4337959	35
4336836	90	4337217	272		76	4337712	19		147
	93		276	4337385	297	4337713	19	4337968	269
4336837	89	4337219	145		316	4337714	19		274
4336838	89		147	4337395	21	4337715	20		276
4336839	89	4337222	19	4337400	297	4337716	20	4337969	269
4336840	89	4337223	111		316	4337723	44		273
4336841	90	4337224	90	4337401	297	4337732	132	4337971	13
4336842	90		92		316	4337764	17	4337972	14
	93		94	4337403	227	4337781	29	4337978	368
4336843	90		95	4337405	28	4337805	117	4337979	368
	93	4337227	18		32	4337806	117	4337983	368
4336846	20	4337228	33	4337408	145	4337807	117	4337984	368
4336855	43	4337232	153	4337409	28	4337808	117	4337985	368
4336857	43	4337233	144	4337426	179	4337809	117	4337986	368
4336859	43		146	4337446	156	4337810	117	4338033	368
4336863	315	4337234	132		160	4337832	91	4338039	162
4336866	155		147	4337447	156	4337833	91	4338048	363
4336867	155	4337235	144		160	4337834	91	4338049	35
4336870	162		146	4337448	156	4337835	91	4338068	29
4336872	48	4337238	150	4337449	73	4337836	91	4338069	29
4336873	278	4337239	150	4337450	74	4337837	91	4338076	155
	279	4337246	151	4337452	70	4337838	92		159
4336897	28	4337270	34	4337455	73	4337839	92	4338077	155
	32	4337276	83	4337466	48		95	4338079	28
4337015	111		87	4337473	216	4337840	92	4338081	28
4337019	111	4337277	73		217		95	4338084	144
4337022	111	4337278	71	4337474	72	4337846	91	4338099	227
4337023	111	4337279	71	4337494	28	4337847	91	4338100	227
4337045	45		73	4337499	157	4337849	91	4338101	132
4337046	162		78	4337527	57	4337852	91	4338102	150
4337047	50	4337280	71		60	4337853	92	4338103	153
4337060	18	4337281	33	4337528	58	4337856	92	4338111	93
4337061	90	4337283	70	4337544	75		95	4338112	93
	92	4337284	83	4337561	148	4337857	92	4338116	150
	93		88	4337590	77		95	4338117	150
	95	4337288	139	4337600	216	4337874	30	4338119	151
4337071	47	4337290	144		217	4337879	155	4338122	93
4337114	73	4337292	144	4337601	139	4337880	155	4338123	93
	77		146	4337602	137	4337884	342	4338124	73
4337118	108	4337293	181	4337604	161	4337887	278	4338125	73
4337120	108		183	4337605	161		280	4338126	73
4337122	108	4337294	181	4337606	161	4337888	278	4338131	141
4337137	30		183	4337607	161		279	4338143	45
4337138	362	4337295	181	4337632	315	4337889	30	4338151	12
4337146	155		183	4337683	19	4337896	342	4338174	256
4337147	157	4337298	150	4337684	19	4337898	342	4338175	155
4337148	157	4337311	144	4337685	19	4337899	342	4338176	179
4337156	176	4337327	281	4337686	19	4337907	342	4338177	341
4337157	179	4337328	281	4337687	19	4337909	342	4338179	157
4337158	154	4337332	144	4337688	19	4337910	342	4338189	63
4337159	154		151	4337689	19	4337912	342	4338192	341

NUMERICAL INDEX

Part No.	Page	Part No.	Page	Part No.	Page	Part No.	Page	Part No.	Page
4338193	341	4338615	26	4339094	189	4339404	98	4339759	77
4338222	74	4338617	27	4339096	190	4339405	98	4339761	77
4338223	74	4338619	25	4339097	190	4339406	99	4339763	77
4338242	137	4338620	25	4339103	131	4339407	99	4339772	97
4338243	137	4338648	13	4339106	190	4339408	100	4339773	99
4338250	150	4338654	112	4339107	190	4339409	100	4339775	98
4338260	340	4338656	113	4339108	190	4339410	100	4339776	99
4338262	340	4338660	26	4339129	74	4339429	27	4339777	99
4338264	283	4338663	132	4339131	73	4339430	27	4339778	98
4338269	275	4338674	17	4339135	73	4339451	185	4339781	98
4338276	328	4338683	70		78		187	4339783	97
4338278	335	4338728	292	4339136	119	4339459	162	4339788	99
4338283	255	4338729	292		121	4339464	162	4339791	100
4338284	255	4338763	36	4339138	73	4339480	233	4339798	98
4338288	156	4338769	20		78	4339481	255	4339799	100
4338289	156		162	4339139	78	4339482	233	4339821	99
4338299	45	4338770	234	4339155	47	4339497	42	4339822	99
4338300	147		255	4339156	47	4339498	42	4339824	20
4338330	44	4338803	124	4339174	43	4339499	43	4339838	77
4338361	20	4338864	141	4339197	97	4339505	42	4339843	99
4338374	20	4338866	141	4339207	118	4339511	68	4339848	43
4338382	100	4338867	146		119	4339515	69	4339851	103
4338383	100	4338869	146	4339222	25	4339524	36	4339853	100
4338390	100	4338969	119	4339230	185	4339532	77	4339892	284
4338400	31	4338970	119	4339237	207	4339533	77	4339893	98
4338405	63	4338971	119	4339243	25	4339535	73	4339895	17
4338407	47	4338972	119	4339244	27		78	4339901	163
4338409	47	4338973	119	4339245	27	4339546	42	4339903	163
4338412	51	4338974	119	4339246	27	4339547	42	4339920	99
4338428	117	4338978	35	4339249	207	4339548	41	4339922	97
4338429	117	4338987	159		211	4339558	121	4339924	98
4338430	117	4338988	159	4339259	187	4339559	121	4339944	99
4338431	117	4338989	362	4339262	187	4339560	121	4339947	175
4338432	117	4338990	362	4339263	185	4339561	121	4339949	115
4338433	117	4338992	97	4339265	160	4339562	121	4339950	175
4338452	71	4338993	186	4339290	342	4339563	121	4339952	174
4338453	71	4338994	187	4339329	185	4339572	227	4339973	368
4338461	73	4338995	185		186	4339585	74	4339979	173
4338462	336		187	4339380	98		76	4341116	87
4338463	111	4339000	186	4339381	98	4339598	137	4341292	27
	112	4339001	184	4339382	98	4339604	13	4343122	146
4338466	92	4339002	185	4339383	98	4339624	42	4343799	41
4338485	91	4339003	185	4339384	99	4339625	42	4344912	279
4338511	68	4339004	184	4339385	100	4339634	100	4344938	103
	69	4339005	186	4339386	100	4339656	37	4346099	13
	71	4339006	184	4339387	99	4339658	163	4346100	13
4338544	26	4339007	187	4339388	99	4339659	44	4346108	14
4338575	26	4339008	185	4339389	99	4339663	112	4346138	67
4338578	26		187	4339390	99	4339665	112	4346169	51
4338580	26	4339011	184	4339391	99	4339689	115	4346184	13
4338581	25	4339017	21	4339392	97	4339691	115	4346191	15
	31	4339036	14	4339393	98	4339701	129	4346205	18
4338582	25	4339037	15	4339394	98	4339703	129	4346206	45
4338585	63	4339038	15	4339395	98	4339709	129	4346208	67
4338594	175	4339048	26	4339396	98	4339711	87		68
4338601	25	4339070	97	4339397	99	4339712	122		69
4338605	26	4339078	185	4339398	99	4339721	77		71
4338606	26	4339088	156	4339399	100	4339722	77	4346246	33
4338609	25		159	4339400	97	4339728	98	4346307	45
4338610	25	4339091	156	4339401	99	4339733	87	4346320	283
4338612	26		159	4339402	99	4339742	47		285
4338613	26	4339093	156	4339403	99	4339758	98		286

NUMERICAL INDEX

Part No.	Page	Part No.	Page	Part No.	Page	Part No.	Page	Part No.	Page
4346320	289	4347982	277	4348684	56	4353882	358	4354490	42
	290	4347992	233	4348689	52		361	4354492	17
	292	4347993	234	4348691	51	4354130	190		43
4346322	15	4347994	234		55		193	4354537	137
4346323	14		255	4348692	49		196		141
4346324	14	4348020	50	4348757	131	4354154	98	4354568	50
4346327	55	4348038	50	4348770	157	4354163	36	4354573	50
4346441	52	4348044	50	4348825	132	4354171	100	4354578	100
	55	4348072	13	4348829	15	4354175	14	4354607	27
4346456	133	4348083	50	4348830	15	4354178	296	4354617	27
4346483	51	4348099	142	4348831	15	4354179	21		32
4346724	234	4348100	143	4348857	13	4354183	20	4354635	17
	255	4348107	33	4348858	13	4354261	19	4354671	29
4346744	132		37	4348859	13	4354281	147	4354698	77
4347031	135		146	4348864	69	4354282	105	4354748	21
	137	4348126	34	4348883	50	4354288	97	4354785	119
	139	4348129	45	4348885	50	4354291	1		121
	141	4348130	45	4348886	49		41	4354787	21
4347061	14	4348133	43	4348891	50		42	4354788	21
4347120	34	4348136	33	4348894	50		43	4354797	101
4347413	14		37	4348900	13		67	4354798	101
4347416	13	4348184	142	4348923	200		68	4354799	101
4347419	13		148	4348938	62		69	4354831	121
4347465	14	4348185	143	4348991	19		70	4354834	363
4347511	45		148	4348992	19		71	4354872	18
4347516	17	4348208	276	4348993	19		123	4354918	147
4347539	149		278	4348994	19		124	4354941	160
4347543	47	4348215	51	4348995	19		125	4354942	160
	48		52	4349011	34		134	4354944	160
4347572	51	4348218	51		216		135	4354952	98
	56		139		217		136	4354954	103
4347575	55		141	4349037	47		137	4355491	295
4347577	55	4348253	28		48		139	4356232	255
4347578	55	4348268	59	4349157	45	4354294	42	4357289	163
4347619	42		62	4349193	74	4354295	42	4357323	18
4347659	50		65		78	4354304	37	4357407	37
4347681	234	4348269	59		176	4354305	37	4357409	36
	255		62		181	4354306	38	4357430	115
4347714	234		65		183	4354337	163	4357446	126
	255	4348270	59		185	4354362	103	4357449	126
4347722	234		62	4349257	44	4354370	207	4357450	107
	255		65	4349303	35		210	4357538	255
4347724	255	4348279	57	4349375	51	4354371	207	4357721	55
4347781	162		64		52	4354389	207	4357732	41
4347815	18	4348303	50	4349382	55		211	4357735	41
4347832	45	4348310	34	4349383	51	4354391	107	4357736	41
4347836	90	4348352	50		52	4354393	106	4357775	41
	92	4348354	209	4349457	162	4354394	107	4357856	102
	94	4348386	209	4349488	69	4354395	149	4357857	102
	95	4348387	209	4349597	233	4354396	146	4357858	102
4347855	234	4348388	209	4349628	29	4354397	100	4357859	102
	255	4348438	90		31	4354407	42	4357860	102
4347893	55	4348440	45	4349629	14	4354414	37	4357861	102
4347897	19	4348502	162	4349630	15	4354415	37	4357862	102
4347916	137	4348551	162	4349631	14	4354416	105	4357871	102
4347921	256	4348584	154	4349632	14	4354427	151	4357873	101
4347924	43		159	4349875	51	4354443	255	4357874	101
4347938	51	4348682	52	4349953	132	4354444	227	4357875	101
4347963	271		56	4349984	142	4354445	296	4357876	101
	275	4348683	51	4352195	190	4354449	17	4357877	101
4347982	273		56	4352249	201		43	4357878	101
	275	4348684	51	4352834	208	4354460	27	4357879	101

NUMERICAL INDEX

Part No.	Page	Part No.	Page	Part No.	Page	Part No.	Page	Part No.	Page
4357880	101	4359120	55	4367241	343	4373614	65	4378941	204
4357881	102		57	4367346	83	4373770	48	4378942	204
4357882	102		60	*4368232	30	4374127	52	4378943	204
4357883	102		62	*4368846	234	4374129	51	4379134	75
4357884	102		63		256		52	4379141	16
4357885	102		64	4368867	234		56		35
4357886	102		77		255	4374390	18	4379291	16
4357887	102		132	4368870	234	4374391	18	4379305	45
4357888	102		133		256	4374627	277	4379391	179
4357889	102		135	4368936	200	4374735	58	4379406	28
4357890	102		137	4368977	126		62	4379407	28
4357891	102		139		127		66	4379421	188
4357892	102		141		129	4375471	274	4379560	73
4357893	103		142	4368993	145		276	4379561	71
4357894	103		143		147		278	4379572	83
4357895	103		148	4369110	51	4375686	132	4379605	83
4357896	101	4359123	11	4369248	297	4375812	51	4379623	279
	103		71		316		55	4379655	284
4357897	103		73	4369461	120	4375937	41		286
4357898	103		74		122	4376118	138		288
4358472	284		77	4369565	157	4376294	52	4379678	176
4358722	335		78	4369633	285	4376497	41		178
4358730	21		83	4369981	141	4376520	139		180
4358752	11		88	4371021	58		141		183
	13	4359167	363		62	4376749	41	4379687	28
	14		364		65	4377259	105		32
	21	4359174	103	4371036	59	4377986	178	4379723	73
4358754	137	4359183	37		62		180		77
4358785	131	*4359218	103		66		182	4379846	29
4358786	131	*4360457	27	4371107	68	4377988	178	4379916	135
4358787	131	4361468	145		69		180		138
4358800	132	4361539	191		71		183	4379928	188
4358812	115		201	4371118	211	4378000	335	4380651	125
4358814	358	4361978	145	4371443	58	4378013	178	4380652	124
4358816	358		147		61	4378014	178		125
4358821	126	4362297	191		65	4378015	178	4380654	117
4358837	366		193	4371456	109	4378031	123	4380656	124
4358839	366		197	4371503	19		124		125
4358907	27	4362338	14	4371703	162		125	4380662	124
4358971	41		47	4371707	132	4378032	125		125
4358988	45	4362458	55		162	4378033	124	4385117	282
4358989	45	4362611	120	4371710	162		125	4385387	73
4359056	49	4362868	283	4371718	100	4378269	135		77
4359072	41		285		103		138	4385463	286
4359104	13		289	4371890	168	4378408	28		288
4359112	42	4363119	159		171		31	4385480	45
4359113	42	4364422	45	4372325	58	4378409	28	4385766	342
4359114	43	4364777	279		62	4378438	190	4385795	155
4359115	43	4364865	34		65		193	4385938	140
4359116	42		147	4372864	42		196	4386037	83
4359117	43	4365343	19	4372905	279	4378570	191	4386065	190
4359120	1	4365344	19	4373069	48	4378592	52		202
	13	4365450	191	4373610	58	4378639	297	4386066	190
	14	4365564	279		61		315	4386137	141
	28	4365741	200		65	4378640	297	4386591	74
	32	4365867	55	4373612	58		315		77
	34	4365868	19		61	4378806	276	4386593	74
	36	4366087	227		65	4378871	297	4386645	335
	37	4366246	37	4373613	58		315	4386863	35
	48	4366293	202		61	4378938	204	4387474	173
	51	4366461	16		65	4378939	204	4387600	284
	52		35	4373614	58	4378940	204	4387601	286
		4367090	211		61				

NUMERICAL INDEX

Part No.	Page	Part No.	Page	Part No.	Page	Part No.	Page	Part No.	Page
4387601	288	4430645	165	4430723	206	4430884	365	4445472	218
	290	4430646	272	4430724	206	4430885	364		270
4387713	186	4430658	181	4430725	218		365		272
4388202	42		183	4430726	199	4430887	158		286
4388205	42		186	4430727	199	4430888	158		289
4388648	188	4430661	361	4430728	199	4430891	159	4445598	199
4388812	29	4430664	360	4430729	204	4430918	158	4445599	199
4388842	208	4430666	360	4430730	287	4430931	167	4445929	194
4388843	208	4430671	179	4430731	199	4430935	289		195
4389036	140	4430672	179	4430732	199		291	4445990	285
4389051	105	4430673	179	4430733	199	4430936	211	4460070	292
4389058	14	4430674	181	4430742	167	4430940	291	4460173	358
4389113	105		182	4430743	167	4430987	197		361
4389624	158	4430675	181	4430744	167	4430988	197	4460794	203
4389910	14		182	4430745	167	4430989	197	4461045	289
4390952	191	4430676	181	4430747	167	4430993	158	4461046	193
	193		182	4430749	167	4430994	364		196
4401151	156	4430677	181	4430753	157	4431025	365	4461047	196
	159		182	4430754	157	4431029	358	4461049	192
4401189	191	4430678	358	4430755	157	4431031	358		195
	194		361	4430765	205	4431034	366	4461050	202
	196		366	4430771	287	4431038	358	4461051	192
	198	4430688	204	4430774	128	4431040	366		196
4403571	370	4430690	205	4430775	127	4431047	291	4461052	199
4406097	370	4430691	287	4430777	128	4431048	366	4461053	194
4406597	193		289	4430780	127	4431050	366		197
4406621	201	4430692	205	4430782	127	4431053	367		199
4406921	291	4430693	218	4430784	128	4431054	366	4461054	167
4407995	159	4430694	287	4430812	289	4431067	365	4461069	357
4408624	194	4430695	287		291	4431073	365		360
	196	4430696	287	4430814	199	4431086	43		367
	232		289	4430818	210	4431087	231	4461070	358
4408653	232	4430697	218	4430820	210	4431213	195		360
4430229	169	4430698	218	4430822	210	4431222	196		367
	171	4430699	218	4430831	169	4431246	196	4461071	194
4430230	168	4430700	205		171	4431508	364	4461141	358
	170	4430701	204	4430833	168	4431513	231		361
4430231	168	4430702	289		170	4431514	231	4461142	358
	170	4430703	204	4430841	357	4431515	231		361
4430285	232	4430704	218	4430851	210	4431516	231	4461221	193
4430286	232	4430705	270	4430852	195	4431563	231		199
4430287	232		272	4430853	197	4431565	231	4461282	193
4430289	232	4430706	199	4430854	196	4431606	231		196
4430492	196	4430707	199	4430855	196	4441258	167	4461539	198
4430499	142	4430708	199	4430857	211		198	4470336	205
4430537	217	4430709	199	4430858	196		204	4470354	194
4430561	205	4430710	167	4430859	196		216		197
4430562	205	4430711	167	4430860	201		217	4470355	199
4430563	205	4430712	289	4430862	168	4441873	205	4500230	14
4430565	143	4430713	287		170	4442414	201	4500300	28
4430579	207	4430714	287	4430864	364	4442494	199		32
4430580	207	4430715	199		365	4442495	199	4501149	117
	211	4430716	199	4430869	158	4442496	166	4502638	269
4430586	217	4430717	289	4430870	159	4443640	193		271
4430587	217	4430718	289	4430873	159		196		273
4430597	360	4430719	270	4430874	159	4444337	198		275
4430615	35		272	4430876	207	4444418	201		277
4430633	192	4430720	270		211	4444419	194	4502999	156
4430638	193		272	4430877	210		197	4503243	191
4430639	164	4430721	270	4430878	210	4445303	206	4504409	118
4430642	164		272	4430880	364	4445472	167	4505556	111
4430643	164	4430722	199	4430884	364		193	4505791	201
4430644	164								

NUMERICAL INDEX

Part No.	Page	Part No.	Page	Part No.	Page	Part No.	Page
4506591	190	4662520	277				
4506592	190	4664290	280				
4506607	47	4664445	271				
	48		275				
4506640	191	4707727	279				
4506737	132	4707730	271				
4506946	45		274				
4507084	131		276				
4507091	131	4720510	191				
4507158	229	4750319	144				
4507359	118	4757673	283				
	120		285				
	122						
4508865	313						
4509035	19						
	49						
	51						
	52						
	55						
	56						
	100						
4511053	143						
4511213	124						
	125						
4511243	124						
	125						
4511721	193						
	198						
4511892	229						
4512412	229						
4513017	194						
	197						
4513207	287						
4513922	281						
4548440	45						
4611458	34						
4613571	269						
	274						
	278						
4614092	229						
4616160	29						
	31						
4617430	202						
4617773	29						
4640727	29						
4640978	162						
4641273	35						
	147						
4651234	177						
4651235	176						
4651489	193						
	196						
4660356	14						
4660357	14						
4660358	14						
4660369	45						
4660407	55						
4660408	55						
4660409	55						
4660410	55						
4660412	55						
4661047	193						

The information contained herein is general in nature and is not intended for specific application purposes. Allis-Chalmers reserves the right to make changes in specifications shown herein, add improvements, or discontinue manufacture at any time without notice or obligation.

