

**130200 to 130299**

# Illustrated Parts List

## Model Series 130200 to 130299

TYPE NUMBERS  
0010 through 0075  
0101 through 1204  
2015 through 2049

### TO FIND

**THE CORRECT NUMBER OF THE PART YOU NEED:**

**FOLLOW THE INSTRUCTIONS BELOW**

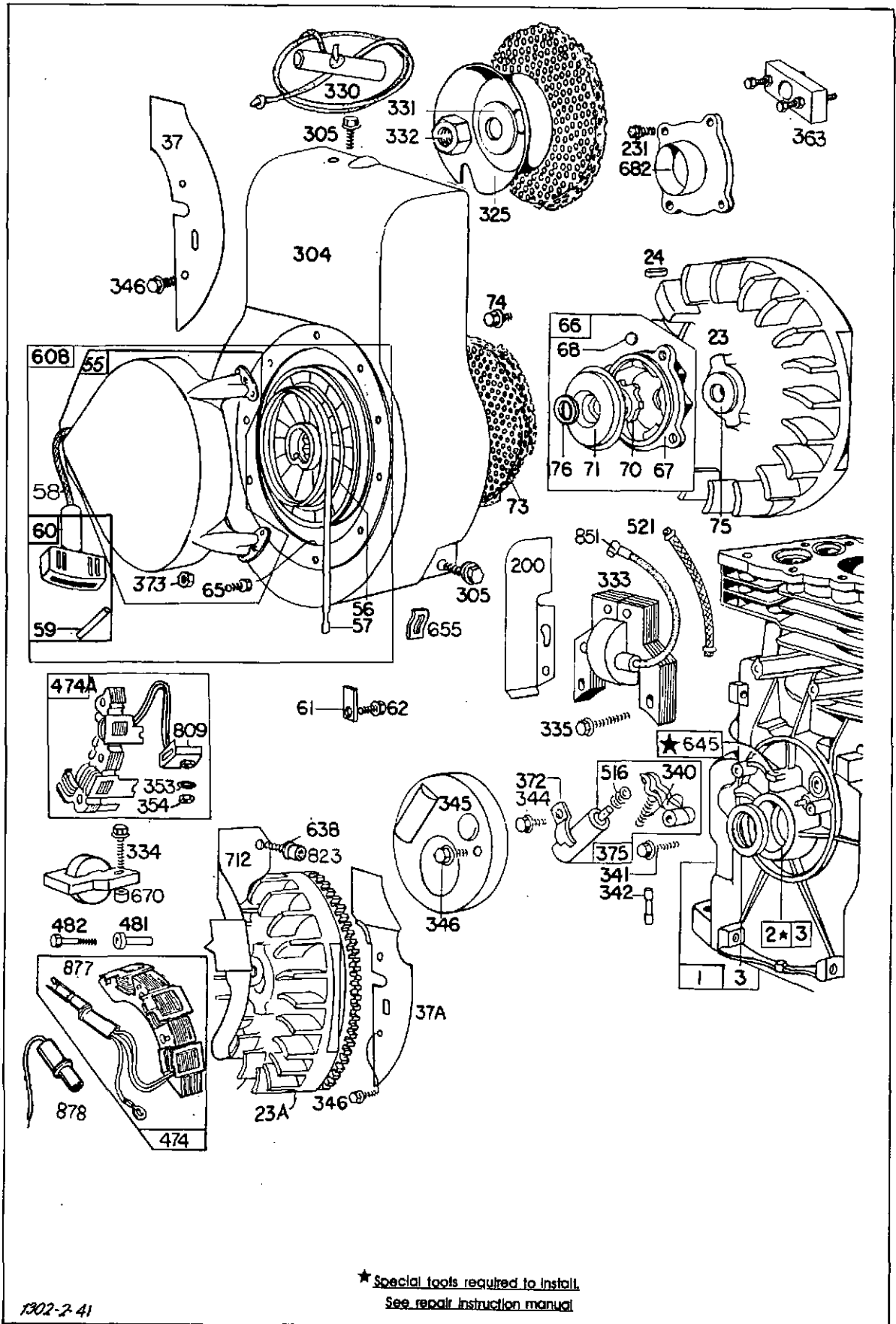
- A. Refer to Engine Model, Type and Code Number that is stamped on the blower housing of engine. Engine type numbers such as 012301 are listed herein only as 0123. The two digits (01 or 02, etc.) to the right of the space are not needed for parts identification. Then use the Illustrated Parts List covering the Model Series.
- B. Refer to Illustrated Parts section and compare the old part with illustration. The number on the illustration is the Reference Number. Assemblies include all parts shown in frames. All parts shown in assembly frames on which individual reference numbers are given can be purchased separately.
- C. After the Reference Number has been identified, refer to the Numerical Parts List, where Reference and Master Part Number are listed. **THE MASTER PART IS USED ON ALL TYPE NUMBERS EXCEPT THOSE TYPE NUMBERS UNDER "NOTE"**.
- D. If a "Note" appears below the Master Part Number, this means that this part differs from the Master Part for certain types. If the Type number is listed under "Note", order the part referred to.
- E. If the Engine Type Number does not appear after any part number listed under "Note", use the Master Part Number.
- F. For Type Numbers higher than those covered by this book, please refer to the factory if you are unable to identify the part by comparison.

PRINTED IN U.S.A.



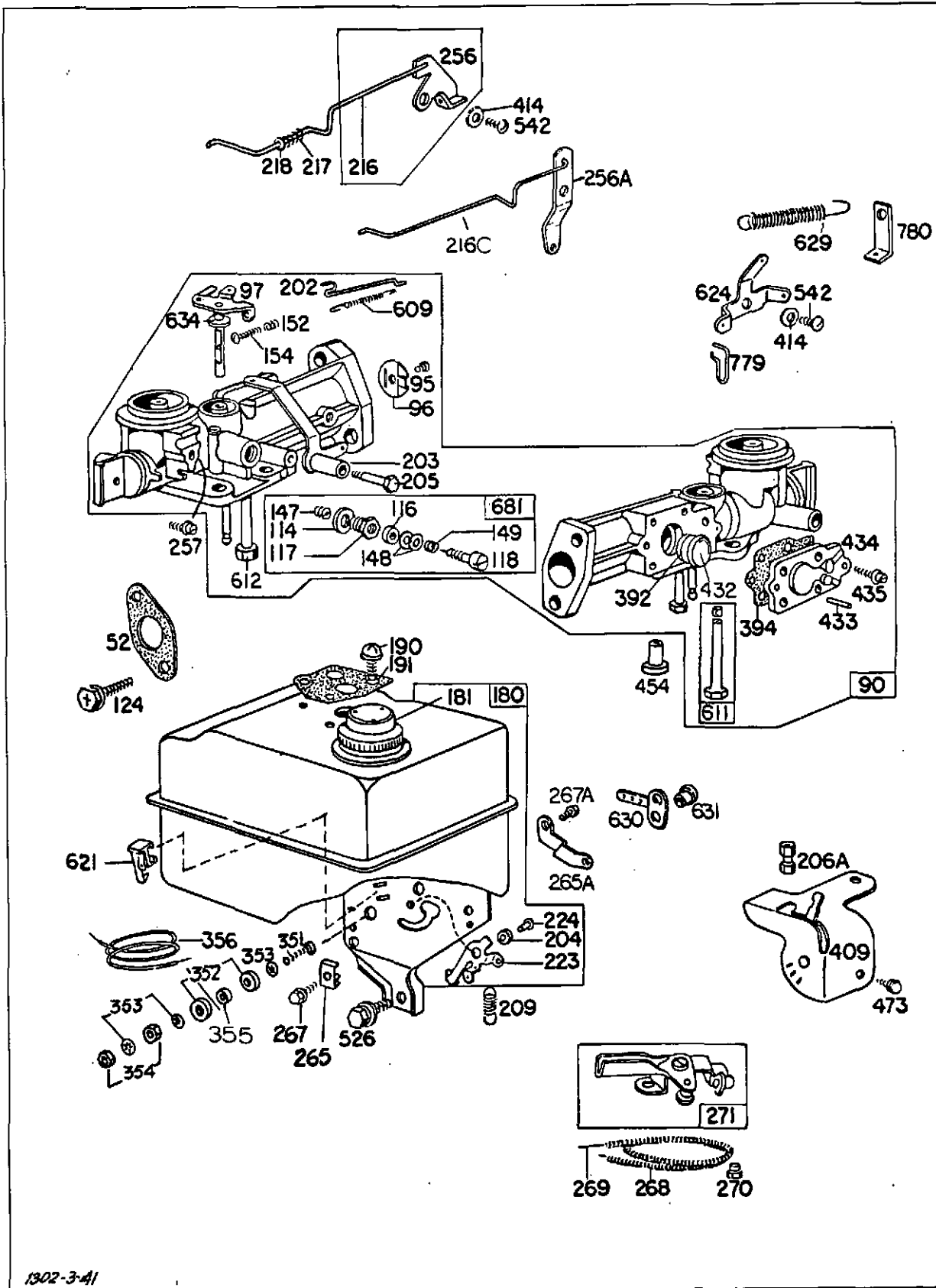
COPYRIGHT ©





Assemblies include all parts shown in frames.

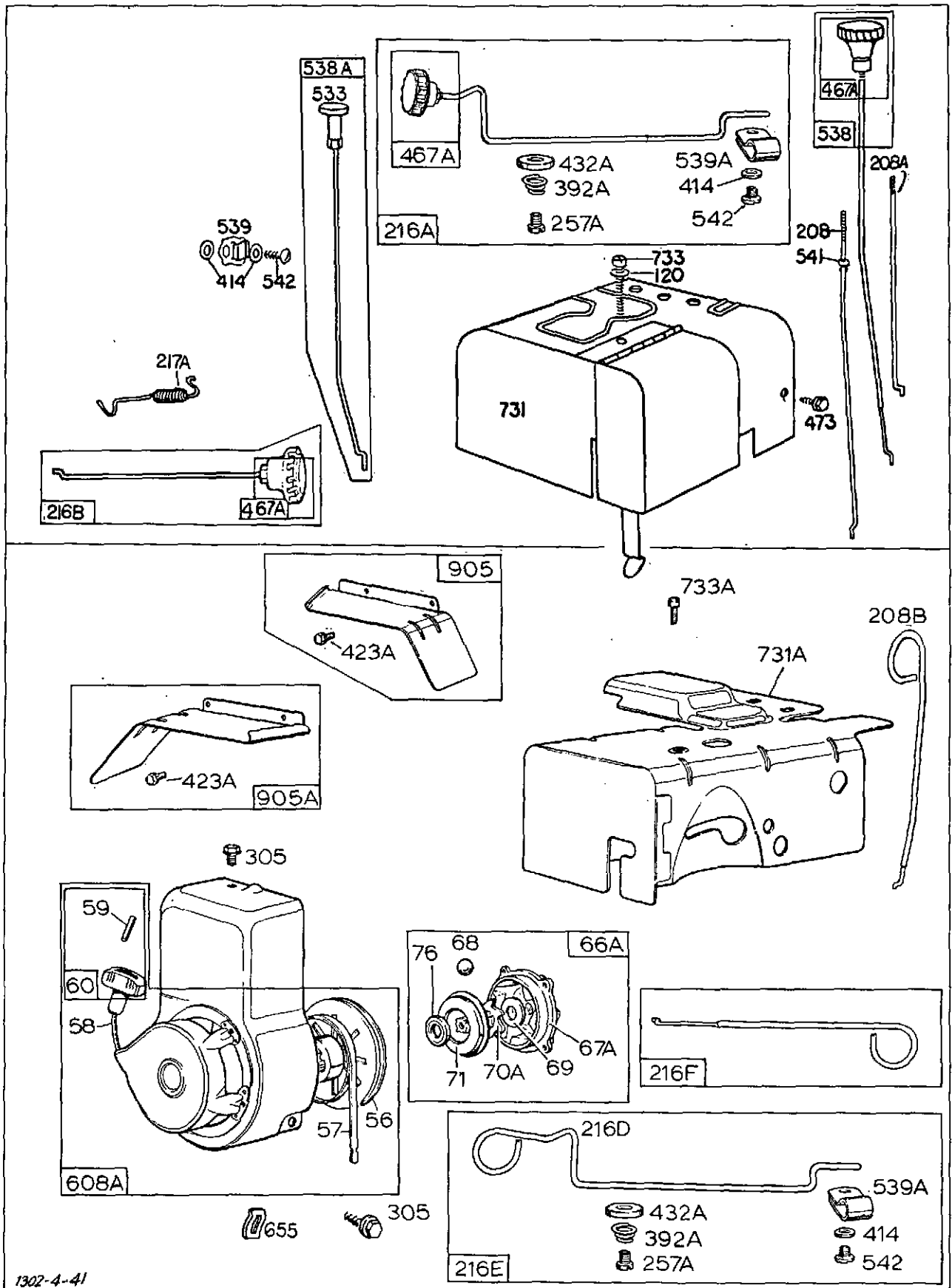
# 130200 to 130299



1302-3-41

Assemblies include all parts shown in frames.

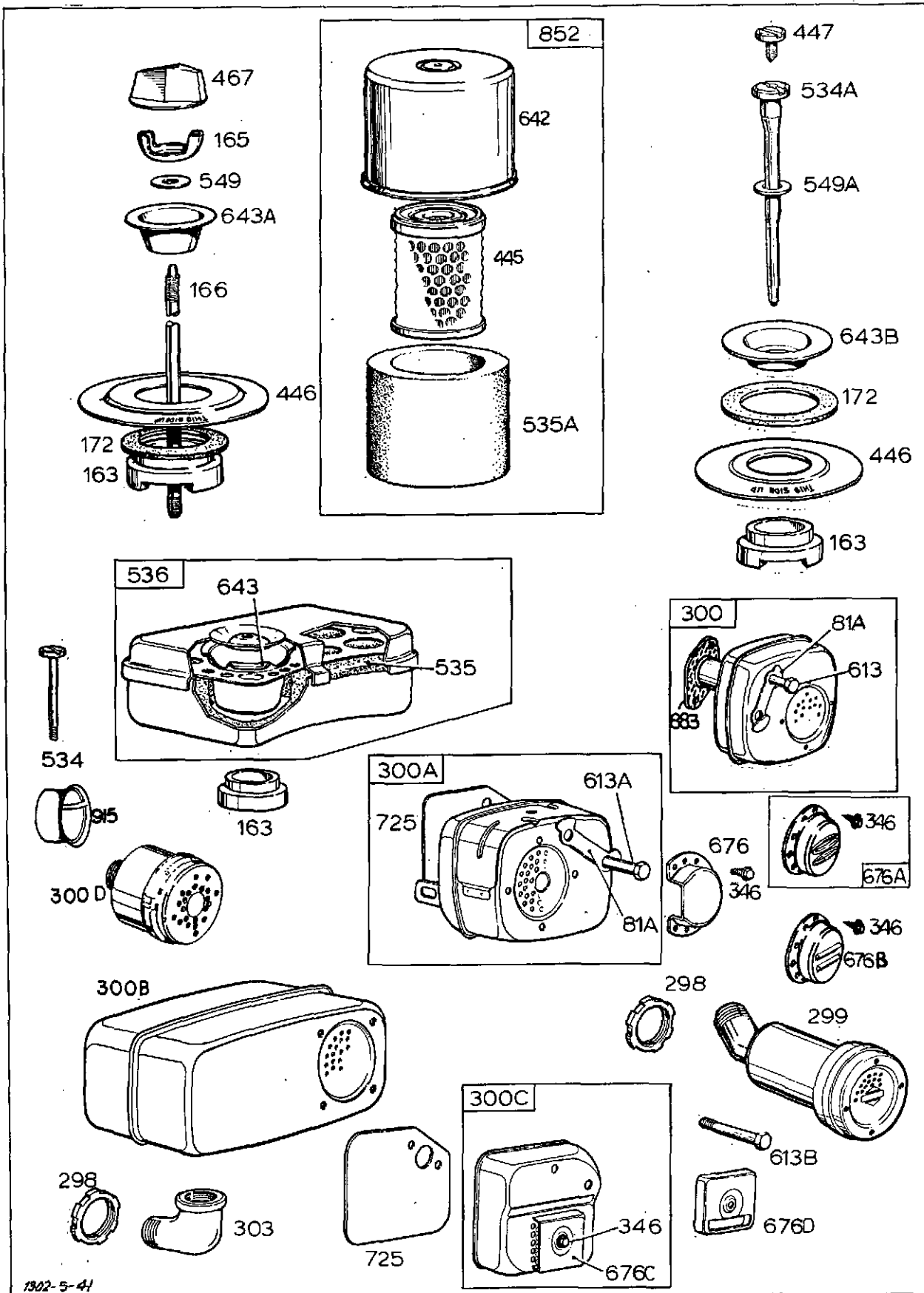
# 130200 to 130299



1302-4-41

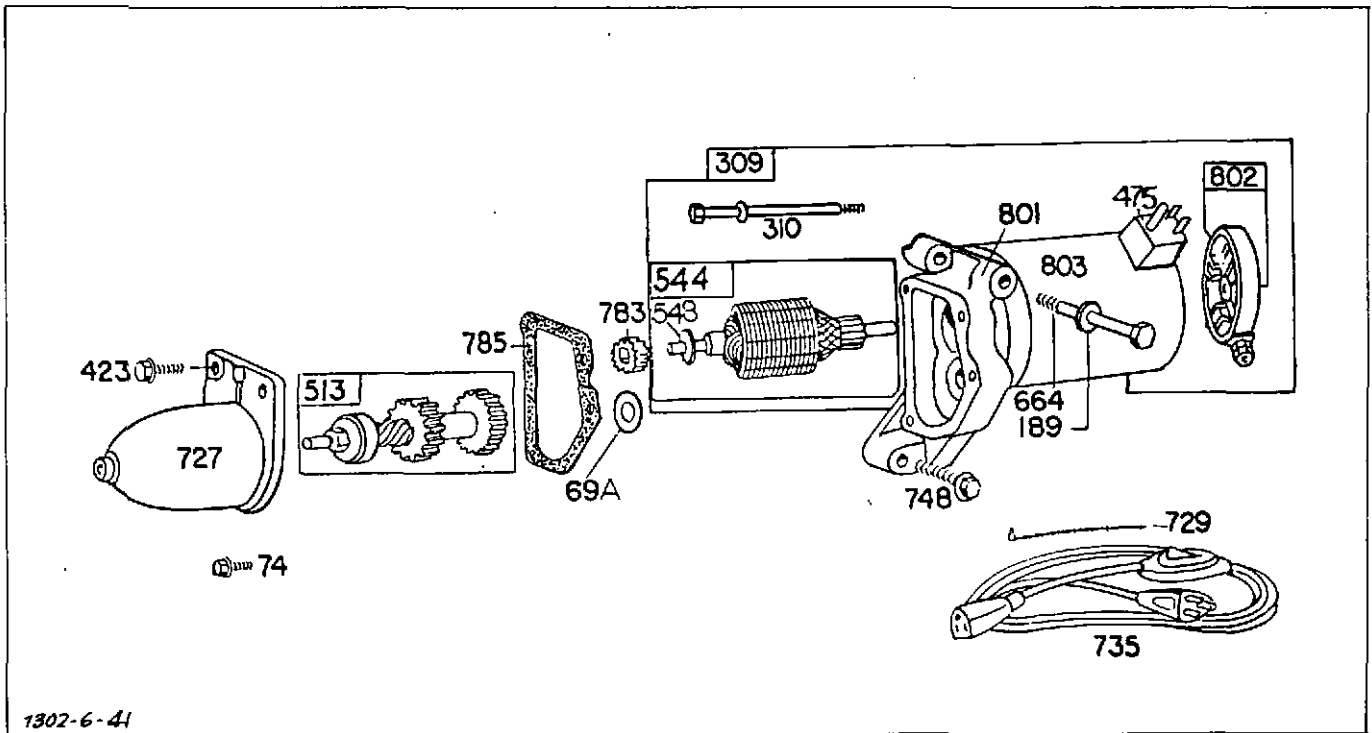
Assemblies include all parts shown in frames.

# 130200 to 130299



Assemblies include all parts shown in frames.

# 130200 to 130299



1302-6-41

Assemblies include all parts shown in frames.

Subject	Ref. No. 309	Ref. No. 513	Ref. No. 544	Ref. No. 803	Ref. No. 802	Ref. No. 475
Starter Motor Mfr.	Motor	Drive Assembly	Armature Assembly	Housing Assembly	End Cap Assy. Commutator	Rectifier Assembly
American Bosch						
12V	390551*	390581	390467	390468	390465	
110V	393842**					

\*Uses #92813 Lockwasher and #231082 Hex Nut.

\*\*Includes Entire Motor and Drive Assembly.

## Parts Common to the 12V and 110V Motors

Ref. No. 423	Ref. No. 727	Ref. No. 785	Ref. No. 783	Ref. No. 69A	Ref. No. 310	Ref. No. 548	Ref. No. 664	Ref. No. 748	Ref. No. 801
Sem. Screw 93654	Drive Hsg. 390543	Gasket 270718	Pinion 230972	Washer 93676	Motor Bolt 93648	Washer 93649	Mtg. Screw 93358	Mtg. Screw 93534	Mounting Head 390544

# 130200 to 130299

REF. NO.	PART NO.	DESCRIPTION	REF. NO.	PART NO.	DESCRIPTION	REF. NO.	PART NO.	DESCRIPTION
1	<b>391977</b>	Cylinder Assembly			0592, 0598, 0660, 0670, 0676, 0694, 0725, 0733, 0764, 0765, 0776, 0782, 0802, 0862, 0872, 0873, 0964, 0966, 0970, 0971, 0972, 0973, 0980, 1023, 1045, 1046, 1047, 1051, 1061, 1062, 1063, 1077, 1089, 1094, 1098, 1101, 1137, 1138, 1140, 1175, 1198.			<b>391608</b> Bracket—Mtg. Furnished by equip- ment manufacturer on Type No. 0600.
	<b>Note:</b>	<b>391978</b> Cylinder Assy. Used on Type Nos. 0038, 0120, 0122, 0124, 0150, 0155, 0156, 0167, 0175, 0178, 0179, 0183, 0197, 0202, 0207, 0219, 0230, 0258, 0316, 0318, 0337, 0403, 0412, 0413, 0437, 0459, 0469, 0475, 0476, 0477, 0482, 0484, 0507, 0529, 0534, 0541, 0546, 0561, 0574, 0575, 0577, 0579, 0583, 0606, 0620, 0653, 0656, 0665, 0783, 0740, 0747, 0758, 0759, 0786, 0799, 0818, 0831, 0837, 0843, 0849, 0857, 0859, 0860, 0863, 0871, 0875, 0882, 0885, 0886, 0903, 0916, 0919, 0920, 0954, 0959, 0965, 0976, 0979, 0983, 0996, 1005, 1019, 1026, 1029, 1030, 1031, 1037, 1041, 1069, 1073, 1075, 1076, 1078, 1080, 1085, 1087, 1145, 1148, 1172, 1174, 1176, 2015, 2035, 2036, 2038, 2039, 2049.			<b>391980</b> Cylinder Assy. Used on Type No. 0427.			<b>93369</b> Screw—Cylinder Head (2-15/32" long) <b>Note:</b> <b>93583</b> Stud—Cyl. Head <b>22963</b> Washer Used on Type Nos. 0414, 0502, 0570, 0667, 0737, 0825, 0826, 0831, 0852, 0859, 0873, 0877, 0892, 0910, 0911, 0940, 0965, 0975, 1025, 1082, 0980, 0980, 1006, 1025, 1082, 1093, 1094, 1129, 1144, 1154, 1160, 1162, 1164, 1191, 1193, 1197, 1200.
		<b>391979</b> Cylinder Assy. Used on Type Nos. 0025, 0119, 0121, 0123, 0345, 0351, 0352, 0353, 0358, 0361, 0373, 0388, 0391, 0392, 0400, 0402, 0406, 0409, 0411, 0417, 0418, 0419, 0424, 0425, 0436, 0438, 0450, 0483, 0490, 0493, 0496, 0511, 0520, 0539, 0540, 0554,	2	<b>297565</b>	Bushing—Cylinder <b>Note:</b> Requires special tools for installation.	14		
			3	<b>299819</b>	Seal—Oil	15	<b>91249</b>	Plug—Pipe, 1/4" Std., Square Head <b>Note:</b> <b>93448</b> Plug—Pipe (Hex. Socket) Used on Type Nos. 0135, 0181, 0207, 0240, 0318, 0651, 0666, 0685, 0711, 0716, 0736, 0766, 0803, 0830, 0835, 0851, 0853, 0895, 0931, 0955, 0988, 1009, 1099, 1100, 1117.
			5	<b>211542</b>	Head—Cylinder			
			6	<b>22963</b>	Washer—Flat	16	<b>260938</b>	Crankshaft <b>Note:</b> <b>260939</b> Crankshaft Used on Type Nos. 0035, 0112, 0156, 0171, 0178, 0179, 0182, 0265, 0309, 0315, 0316, 0324, 0337, 0340, 0341, 0348, 0364, 0382, 0451, 0453, 0458, 0558, 0585, 0620, 0649, 0718, 0740, 0843, 0847, 0848, 0852, 0865, 0929, 0936, 0949, 0950, 0982, 1000, 1015, 1022, 1028, 1041, 1053, 1060, 1065, 1067, 1083, 1095, 1100, 1171, 1184, 1202, 2035.
			7	<b>*270383</b>	Gasket—Cylinder Head			
			8	<b>294178</b>	Breather—Valve Chamber			
			9	<b>* 27549</b>	Gasket—Valve Cover			
			10	<b>93394</b>	Screw—Breather Mtg. Sem			
			11	<b>66578</b>	Grommet—Breather Tube			
			12	<b>*270080</b>	Gasket—Crankcase— .015" thick (Standard)			
				<b>*270125</b>	Gasket—Crankcase— .005" thick			
				<b>*270126</b>	Gasket—Crankcase— .009" thick			
			13	<b>93368</b>	Screw—Cylinder Head (2-3/32" long) <b>Note:</b> <b>93583</b> Stud—Cyl. Head <b>22963</b> Washer Used on Type Nos. 0414, 0423, 0452, 0570, 0635, 0667, 0700, 0737, 0770, 0801, 0806, 0825, 0831, 0852, 0859, 0873, 0876, 0877, 0910, 0965, 0975, 1006, 1043, 1082, 1086, 1106, 1129, 1144, 1147, 1150, 1154, 1160, 1162, 1164, 1191, 1193, 1197, 1200.			

\*Included in Gasket Set—  
Part No. 297615.

# 130200 to 130299

REF. NO.	PART NO.	DESCRIPTION	REF. NO.	PART NO.	DESCRIPTION	REF. NO.	PART NO.	DESCRIPTION	
	<b>260941</b>	Crankshaft Used on Type Nos. 0037, 0114, 0174, 0176, 0180, 0213, 0217, 0332, 0399, 0472, 0479, 0590, 0608, 0630, 0754, 0817, 0828, 0837, 0854, 0856, 0888, 0924, 0967, 0977, 1039, 1096, 1151.		<b>260958</b>	Crankshaft Used on Type Nos. 0036, 0113, 0124, 0128, 0130, 0131, 0134, 0138, 0150, 0154, 0164, 0166, 0170, 0186, 0192, 0203, 0206, 0210, 0212, 0220, 0221, 0222, 0228, 0238, 0239, 0240, 0245, 0248, 0251, 0255, 0256, 0257, 0259, 0262, 0267, 0268, 0269, 0270, 0273, 0284, 0287, 0290, 0292, 0293, 0294, 0298, 0300, 0303, 0304, 0305, 0311, 0312, 0314, 0323, 0329, 0356, 0360, 0376, 0378, 0389, 0393, 0397, 0401, 0407, 0422, 0439, 0440, 0441, 0445, 0449, 0457, 0461, 0465, 0471, 0473, 0474, 0485, 0487, 0488, 0489, 0491, 0497, 0498, 0502, 0503, 0504, 0505, 0506, 0508, 0513, 0520, 0525, 0527, 0529, 0531, 0535, 0536, 0538, 0543, 0544, 0546, 0548, 0550, 0552, 0553, 0560, 0564, 0583, 0584, 0586, 0587, 0588, 0594, 0597, 0603, 0605, 0606, 0607, 0612, 0619, 0623, 0632, 0636, 0645, 0648, 0650, 0654, 0655, 0657, 0661, 0665, 0675, 0677, 0679, 0683, 0687, 0690, 0691, 0692, 0696, 0697, 0701, 0704, 0707, 0713, 0717, 0720, 0724, 0726, 0729, 0730,				0731, 0732, 0734, 0742, 0744, 0747, 0751, 0752, 0757, 0762, 0773, 0774, 0781, 0785, 0791, 0795, 0805, 0809, 0811, 0812, 0824, 0827, 0831, 0834, 0838, 0841, 0855, 0858, 0859, 0861, 0866, 0867, 0870, 0871, 0874, 0883, 0884, 0890, 0891, 0896, 0898, 0899, 0907, 0908, 0914, 0918, 0919, 0920, 0922, 0923, 0927, 0937, 0939, 0942, 0948, 0953, 0957, 0960, 0974, 0975, 0985, 0986, 0998, 1012, 1013, 1017, 1020, 1021, 1026, 1027, 1036, 1037, 1042, 1044, 1048, 1052, 1057, 1064, 1066, 1069, 1070, 1080, 1081, 1082, 1085, 1087, 1090, 1099, 1102, 1105, 1108, 1110, 1111, 1114, 1116, 1121, 1122, 1123, 1127, 1135, 1142, 1144, 1155, 1157, 1159, 1160, 1162, 1163, 1165, 1173, 1180, 1181, 1182, 1187, 1191, 1193, 1201, 2036.
	<b>260942</b>	Crankshaft Used on Type Nos. 0038, 0040, 0115, 0139, 0157, 0160, 0169, 0183, 0197, 0201, 0219, 0246, 0258, 0291, 0295, 0342, 0349, 0363, 0386, 0390, 0403, 0413, 0415, 0433, 0437, 0456, 0459, 0466, 0468, 0469, 0475, 0476, 0477, 0482, 0484, 0507, 0518, 0534, 0541, 0545, 0555, 0559, 0561, 0570, 0572, 0574, 0575, 0579, 0581, 0582, 0618, 0625, 0626, 0627, 0629, 0637, 0656, 0662, 0668, 0669, 0672, 0680, 0738, 0745, 0758, 0759, 0761, 0772, 0779, 0780, 0783, 0784, 0786, 0796, 0800, 0832, 0836, 0840, 0845, 0849, 0857, 0860, 0863, 0875, 0886, 0887, 0904, 0905, 0909, 0912, 0916, 0932, 0934, 0935, 0938, 0947, 0951, 0954, 0959, 0963, 0965, 0979, 0983, 0994, 0996, 0999, 1002, 1004, 1005, 1016, 1031, 1059, 1073, 1075, 1076, 1107, 1112, 1124, 1126, 1133, 1145, 1148, 1149, 1154, 1164, 1172, 1174, 1185, 1192, 1199, 2038.			<b>260987</b> Crankshaft Used on Type Nos. 0024, 0049, 0116, 0120, 0181, 0193, 0202, 0214, 0227, 0322, 0325, 0327, 0350, 0355, 0412, 0416, 0420, 0431, 0443, 0462, 0481, 0514, 0519, 0551, 0562, 0563, 0566, 0567, 0568, 0573, 0578, 0599, 0602, 0624, 0634, 0639, 0644, 0653, 0658, 0664, 0710, 0712, 0719, 0746, 0749,				

# 130200 to 130299

REF. NO.	PART NO.	DESCRIPTION	REF. NO.	PART NO.	DESCRIPTION	REF. NO.	PART NO.	DESCRIPTION
	0755, 0756, 0775, 0797, 0799, 0879, 0880, 0882, 0885, 0889, 0894, 0901, 0903, 0906, 0944, 0946, 0952, 0955, 0961, 1008, 1019, 1029, 1030, 1040, 1068, 1079, 1119, 1125, 1136, 1156, 1158, 1161, 1168, 1188, 1194, 2049.							
	<b>261046</b> Crankshaft Used on Type No. 0230.				<b>261165</b> Crankshaft Used on Type No. 0358.			<b>298204</b> Cover Assy.— Crankcase Used on Model Series 130231, 130232, 130233, 130235, 130236, 130237.
	<b>261141</b> Crankshaft Used on Type Nos. 0361, 0388, 0554, 0663.				<b>261216</b> Crankshaft Used on Type Nos. 0423, 0426, 0533, 0542, 0622, 0635, 0735, 0770, 0806, 0990, 1003, 1018, 1147.			<b>298517</b> Cover Assy.— Crankcase Used on Model Series 130212, 130217, 130251, 130252, 130253, except as listed under note.
	<b>261142</b> Crankshaft Used on Type Nos. 0025, 0119, 0121, 0123, 0345, 0353, 0373, 0391, 0392, 0400, 0402, 0409, 0411, 0417, 0418, 0419, 0425, 0436, 0450, 0490, 0493, 0511, 0539, 0540, 0592, 0593, 0641, 0660, 0670, 0694, 0725, 0733, 0776, 0782, 0802, 0862, 0873, 0964, 0966, 0970, 0971, 0972, 0973, 0976, 0980, 1023, 1046, 1051, 1061, 1062, 1063, 1077, 1089, 1094, 1098, 1101, 1137, 1138, 1140, 1175, 1198.				<b>261227</b> Crankshaft Used on Type Nos. 0427, 0483, 0496.			<b>Note:</b> <b>392778</b> Cover Assy.— Crankcase Used on Type Nos. 0689, 0702, 0825, 0864, 0921, 0989, 1001, 1032, 1056, 1197.
	<b>261147</b> Crankshaft Used on Type Nos. 0438, 0764.				<b>261234</b> Crankshaft Used on Type Nos. 0039, 0499, 0577, 0596, 0628, 0674, 0684, 0771, 0839, 1054, 1058, 1078, 1084, 1132, 1152, 2039.			<b>19 297603</b> Bushing—Crankcase Cover <b>Note:</b> Requires special tools for installation.
	<b>261148</b> Crankshaft Used on Type Nos. 0338, 0347, 0368, 0369, 0379, 0384, 0815, 0902.				<b>261299</b> Crankshaft Used on Type Nos. 0020, 0523, 0604, 0631, 0685, 0736, 0767, 0813, 0830, 1117.			<b>20 294606</b> Seal—Oil <b>Note:</b> <b>393812</b> Seal—Oil Used on Model 130231, 130232, 130233, 130235, 130236, 130237 Series Engines.
	<b>261150</b> Crankshaft Used on Type Nos. 0351, 0352, 0406, 0424, 0598, 0765, 0872, 1045, 1047.				<b>261396</b> Crankshaft Used on Type No. 0676.			<b>391484</b> Seal—Oil Used on the Auxiliary P.T.O. Shaft on Type Nos. 0070, 0071, 0117, 0125, 0126, 0141, 0159, 0208, 0224, 0234, 0249, 0301, 0359, 0369, 0371, 0430, 0447, 0448, 0455, 0524, 0530, 0540, 0611, 0613, 0614, 0617, 0646, 0647, 0651, 0678, 0706, 0709, 0711, 0722, 0723, 0728, 0737, 0766, 0776, 0778, 0782, 0789, 0792, 0793, 0794, 0803, 0873, 0895, 0917, 0941, 0972, 1009, 1025, 1050, 1055, 1061, 1062, 1092, 1131, 1139, 1140, 1196.
			<b>17 99158</b> Bearing—Ball		<b>261399</b> Crankshaft Used on Type Nos. 0689, 0702, 0825, 0864, 0921, 1129, 1134, 1176, 1197.			
			<b>18 297602</b> Cover Assy.— Crankcase Used on Model Series 130201, 130202, 130203, 130206, 130207.		<b>261544</b> Crankshaft Used on Type Nos. 0989, 1001, 1032, 1056, 1183.			
					<b>298183</b> Cover Assy.— Crankcase Used on Model Series 130292, 130297.			



# 130200 to 130299

REF. NO.	PART NO.	DESCRIPTION	REF. NO.	PART NO.	DESCRIPTION	REF. NO.	PART NO.	DESCRIPTION
34	261044	Valve—Intake (Used after Serial No. 6908087)	37A	222578	Guard—Flywheel (Used on Engines with Electric Starters)			0224, 0234, 0249, 0301, 0359, 0369, 0371, 0430, 0447, 0448, 0455, 0524, 0530, 0540, 0611, 0613, 0614, 0617, 0646, 0647, 0651, 0678, 0706, 0709, 0711, 0722, 0723, 0728, 0737, 0766, 0776, 0778, 0782, 0789, 0792, 0793, 0794, 0803, 0873, 0895, 0917, 0941, 0961, 0972, 1009, 1025, 1050, 1055, 1061, 1062, 1092, 1131, 1139, 1140, 1186, 1196.
	<b>Note:</b> 260961	Valve—Intake (Used before Code No. 6908117) Also on Type Nos. 0038, 0150, 0155, 0156, 0167, 0175, 0178, 0179, 0183, 0197, 0202, 0207, 0219, 0230, 0258.	40	93312	Retainer—Valve Spring	52	* 27355	Gasket—Carburetor Mounting (2)
35	260552	Spring—Intake Valve		<b>Note:</b> 292259	Rotocap—Exhaust Valve	55	299431	Housing—Rewind Starter
36	26478	Spring—Exhaust Valve		230126	Pin—Exhaust Valve Rotocap Retainer		<b>Note:</b> 297663	Housing—Rewind Starter Used on Type No. 0147.
	<b>Note:</b> 26826	Spring—Exhaust Valve Used on Type Nos. 0038, 0120, 0122, 0124, 0150, 0155, 0156, 0167, 0175, 0178, 0179, 0183, 0197, 0202, 0207, 0219, 0230, 0258, 0316, 0318, 0337, 0403, 0412, 0413, 0427, 0437, 0459, 0469, 0475, 0476, 0477, 0482, 0484, 0507, 0529, 0534, 0541, 0546, 0561, 0574, 0575, 0577, 0579, 0583, 0606, 0620, 0653, 0656, 0665, 0738, 0740, 0747, 0758, 0759, 0786, 0799, 0818, 0831, 0837, 0843, 0849, 0857, 0859, 0860, 0863, 0871, 0875, 0882, 0885, 0886, 0903, 0916, 0919, 0920, 0954, 0959, 0965, 0976, 0979, 0983, 0996, 1005, 1019, 1026, 1029, 1030, 1031, 1037, 1041, 1069, 1073, 1075, 1076, 1078, 1080, 1085, 1087, 1126, 1145, 1148, 1172, 1174, 1176, 2015, 2035, 2036, 2038, 2039, 2049.		230127	Retainer—Exhaust Valve Rotocap Used on Type Nos. 0038, 0120, 0122, 0124, 0150, 0155, 0156, 0167, 0175, 0178, 0179, 0183, 0197, 0202, 0207, 0219, 0230, 0258, 0316, 0318, 0337, 0403, 0412, 0413, 0427, 0437, 0459, 0469, 0475, 0476, 0477, 0482, 0484, 0507, 0529, 0534, 0541, 0546, 0561, 0574, 0575, 0577, 0579, 0583, 0606, 0620, 0653, 0656, 0665, 0738, 0740, 0747, 0758, 0759, 0786, 0799, 0818, 0831, 0837, 0843, 0849, 0857, 0859, 0860, 0863, 0871, 0875, 0882, 0885, 0886, 0903, 0916, 0919, 0920, 0954, 0959, 0965, 0976, 0979, 0983, 0996, 1005, 1019, 1026, 1029, 1030, 1031, 1037, 1041, 1069, 1073, 1075, 1076, 1078, 1080, 1085, 1087, 1145, 1148, 1172, 1174, 1176, 2015, 2035, 2036, 2038, 2039, 2049.	56	295871	Pulley—Rewind Starter (Includes 63" long rope) If longer rope is required, order rope No. 66894 and cut to length. <b>Note:</b> 280117 Pulley—Rewind Starter Used on Type Nos. 0257, 0293, 0294, 0296, 0303, 0367, 1045, 1046, 1047, 1051, 1061, 1062, 1089, 1094.
37	222443	Guard—Flywheel	45	260642	Tappet—Valve	57	294303	Spring—Rewind Starter
			46	211117	Gear—Cam	58	66884	Rope—Rewind Starter—63" long (For use with Plastic Pulley) If longer rope is required, order rope No. 66894 and cut to length.
				<b>Note:</b> 211284	Gear—Cam Used on Type Nos. 0070, 0071, 0117, 0122, 0125, 0126, 0141, 0159, 0208.			

\*Included in Gasket Set—  
Part No. 297615.

# 130200 to 130299

REF. NO.	PART NO.	DESCRIPTION	REF. NO.	PART NO.	DESCRIPTION	REF. NO.	PART NO.	DESCRIPTION
	<b>66564</b>	Rope—Rewind Starter— 63" long. (For use with Metal Pulley) If longer rope is required, order rope No. 66574 and cut to length. <b>66694</b> Rope—Rewind Starter Used on Type Nos. 0257, 1045, 1046, 1047, 1051, 1061, 1062, 1089, 1094.	<b>66</b>	<b>298310</b>	Clutch Assy.—Rewind Starter <b>Note:</b> <b>298798</b> Clutch Assy.—Rewind Starter <b>Uses:</b> <b>212132</b> Housing—Starter Clutch <b>298799</b> Ratchet—Rewind Starter <b>66718</b> Washer—Thrust Used on Type Nos. 0017, 0018, 0101, 0129, 0130, 0147, 0173, 0181, 0185, 0195, 0196, 0205, 0208, 0221, 0227, 0229, 0233, 0237, 0238, 0239, 0245, 0255, 0259, 0276, 0277, 0283, 0285, 0290, 0298, 0299, 0304, 0307, 0319, 0324, 0333, 0345, 0350, 0351, 0352, 0353, 0355, 0357, 0359, 0389, 0404, 0406, 0409, 0414, 0418, 0419, 0420, 0422, 0424, 0425, 0431, 0438, 0471, 0490, 0501, 0540, 0592, 0598, 0599, 0640, 0641, 0667, 0670, 0676, 0681, 0694, 0737, 0764, 0765, 0776, 0822, 0844, 0862, 0872, 0873, 0877, 0892, 0910, 0964, 0966, 0970, 0972, 0973, 0980, 1006, 1011, 1055, 1088. <b>211424</b> Pulley—V-Belt <b>68428</b> V-Belt Used between Clutch and Flywheel on Type No. 0147.	<b>67</b>	<b>212131</b>	Housing—Starter Clutch <b>Note:</b> For Specials see Ref. 66.
						<b>67A</b>	<b>261453</b>	Housing—Rewind Starter Clutch For engines with <b>Ring Gear</b> on Flywheel equipped for or with <b>Electric Motor</b> .
						<b>68</b>	<b>63770</b>	Ball—Clutch
						<b>69</b>	<b>66718</b>	Washer—Starter Clutch, Thrust
						<b>70</b>	<b>298436</b>	Ratchet—Rewind Starter <b>Note:</b> For other Specials see Ref. 66. <b>298799</b> Ratchet—Rewind Starter <b>66718</b> Washer—Thrust <b>230813</b> Adapter—Ratchet Spring <b>260414</b> Spring—Ratchet Used between Ratchet and Starter Housing. Used on Type No. 0147.
<b>59</b>	<b>230228</b>	Pin—Starter Grip				<b>70A</b>	<b>298799</b>	Ratchet—Rewind Starter Clutch For engines with <b>Ring Gear</b> on Flywheel equipped for or with <b>Electric Motor</b> .
<b>60</b>	<b>393152</b>	Grip—Starter Rope				<b>71</b>	<b>221653</b>	Washer—Clutch Retainer <b>Note:</b> <b>93042</b> Screw—Sem (4) Used to secure Washer to Clutch Housing on Type No. 0147. <b>222277</b> Cover—Hsg. <b>Uses:</b> <b>93808</b> Screw (2) to mount Cover to Hsg. Used on Type No. 0358.
<b>61</b>	<b>68848</b>	Bumper—Starter Pulley <b>Note:</b> <b>68618</b> Bumper—Starter Pulley Used only with Steel Pulley on Type Nos. 0257, 0293, 0294, 0296, 0303, 0367.						
<b>62</b>	<b>93254</b>	Screw—Pulley Bumper Mounting						
<b>65</b>	<b>93067</b>	Screw—Stamped Steel Housing Mtg. Sem <b>Note:</b> <b>93572</b> Screw Cast—Rewind Starter Housing Mounting (Used after Code No. 6909127) <b>93163</b> Screw—Rewind Starter Housing Mtg. Sem (Used before Code No. 6909157) <b>93414</b> Screw—Rewind Starter Housing Mtg. Sem (4) <b>92290</b> Washer—Lock (4) <b>222060</b> Spacer (4) Mounted to Blower Housing using <b>93042</b> Screw—Sem (8) Used on Type No. 0147.						
			<b>66A</b>	<b>393117</b>	Clutch Assy.—Rewind Starter For Engines with <b>Ring Gear</b> on Flywheel equipped for or with <b>Electric Motor</b> .			

# 130200 to 130299

REF. NO.	PART NO.	DESCRIPTION	REF. NO.	PART NO.	DESCRIPTION	REF. NO.	PART NO.	DESCRIPTION	
73	<b>221923</b>	Screen—Starter Pulley <b>Note:</b> <b>221661</b> Screen—Starter Pulley Used on Type Nos. 0257, 0293, 0294, 0296, 0303, 0367, 1045, 1046, 1047, 1051, 1061, 1062, 1063, 1077, 1089, 1094, 1098, 1101, 1137, 1138. <b>221748</b> Screen—Starter Pulley Used on Type No. 0147.	86	<b>291730</b>	Cover Assy.—Gear Case			1011, 1013, 1023, 1044, 1070, 1091, 1092, 1099, 1103, 1106, 1122, 1123, 1131, 1155, 1188, 1195, 1196, 1198.	
			87	<b>19011</b>	Seal—Oil				
			88	<b>27313</b>	Gasket—Gear Case Cover				
			89	<b>93448</b>	Plug—Oil Drain				
			90	<b>299437</b>	Carburetor Assembly <b>Note:</b> <b>299576</b> Carb. Assy. Used on Type Nos. 0016, 0071, 0076, 0136, 0138, 0140, 0144, 0145, 0147, 0159, 0162, 0173, 0199, 0200, 0203, 0204, 0207, 0209, 0211, 0212, 0214, 0218, 0234, 0236, 0241, 0249, 0260, 0279, 0301, 0313, 0317, 0318, 0331, 0334, 0338, 0346, 0358, 0362, 0365, 0366, 0371, 0375, 0376, 0379, 0387, 0395, 0401, 0402, 0404, 0405, 0412, 0417, 0421, 0434, 0436, 0463, 0473, 0492, 0497, 0498, 0500, 0508, 0510, 0515, 0522, 0531, 0532, 0533, 0535, 0537, 0542, 0547, 0553, 0554, 0556, 0557, 0565, 0571, 0588, 0600, 0601, 0605, 0621, 0601, 0605, 0621, 0622, 0624, 0634 0638, 0644, 0645, 0646, 0658, 0659, 0682, 0698, 0699, 0705, 0710, 0711, 0712, 0715, 0726, 0733, 0734, 0735, 0757, 0763, 0766, 0778, 0789, 0805, 0806, 0808, 0816, 0821, 0822, 0826, 0844, 0846, 0848, 0851, 0876, 0925, 0928, 0930, 0953, 0955, 0990, 0992,				<b>390161</b> Carburetor Assembly Used on Type Nos. 0235, 0245, 0259, 0266, 0267, 0269, 0276, 0278, 0282, 0284, 0285, 0286, 0287, 0288, 0289, 0293, 0294, 0296, 0297, 0299, 0303, 0304, 0305, 0306, 0307, 0308, 0326, 0333, 0344, 0347, 0381, 0385, 0392, 0470, 0478, 0693, 0714, 0724, 0725, 0787, 0884, 0931, 0984, 0987, 1007, 1010, 1074, 1113, 1142, 1179.
74	<b>93490</b>	Screw—Sem <b>Note:</b> <b>93808</b> Screw—Sem Used to mount Cover for Screen Hole on Type No. 0358.							
75	<b>220865</b>	Washer—Spring							
76	<b>68238</b>	Washer—Ratchet Sealing							
79	<b>290779</b>	Case Assembly—Gear							
80	<b>27667</b>	Gasket—Gear Case							
81	<b>220234</b>	Lock—Screw							
81A	<b>222263</b>	Lock—Screw (3/8" dia. bolt holes) <b>Note:</b> <b>222929</b> Lock—Screw (1/4" dia. bolt holes)							
82	<b>91541</b>	Screw—Cap, Hex. Hd.—5/16-24 x 7/8"							
82A	<b>92279</b>	Screw—Cap, Hex. Hd.—5/16-24 x 1-1/2"							
83	<b>211293</b>	Shaft and Gear—Drive <b>Note:</b> <b>211338</b> Shaft and Gear—Drive Used on Type Nos. 0765, 1045, 1047. <b>211918</b> Shaft and Gear—Drive Used on Type Nos. 0350, 0351, 0355, 0420, 0424. <b>211961</b> Shaft and Gear—Drive Used on Type Nos. 0406, 0431, 0598, 0599.						<b>392404</b> Carburetor Assembly Used on Type Nos. 0591, 0592, 0640, 0641, 0667, 0681, 0764, 0862, 0964, 1061, 1062, 1063, 1077, 1098, 1101, 1137. <b>395587</b> Carburetor Assembly Used on Type No. 1181.	
84	<b>92617</b>	Plug—Breather							
85	<b>92747</b>	Screw—Gear Case Mounting Sem							
						95	<b>93499</b>	Screw—Throttle Valve to Shaft Sem	
						96	<b>211203</b>	Throttle—Carburetor	
						97	<b>299212</b>	Shaft and Lever—Throttle	
						114	<b>66594</b>	Gasket—Needle Valve Nut	
						116	<b>65978</b>	Packing—Needle Valve	
						117	<b>230590</b>	Nut—Needle Valve	
						118	<b>23433</b>	Valve—Needle	
						120	<b>92290</b>	Washer—Lock No. 10 x 1/16 x 3/64"	
						124	<b>93357</b>	Screw—Hex. Head	
						147	<b>230591</b>	Seat—Needle Valve	

# 130200 to 130299

REF. NO.	PART NO.	DESCRIPTION	REF. NO.	PART NO.	DESCRIPTION	REF. NO.	PART NO.	DESCRIPTION
148	22235	Washer—Needle Valve (2)	181	392304	Cap—Fuel Tank			392300 Cap—Fuel Tank
149	26336	Spring—Needle Valve		<b>Note:</b> 293270	Cap—Fuel Tank			Used on Type Nos. 0373, 0693.
152	260575	Spring—Throttle Adjustment			Used on Type Nos. 0017, 0129, 0237, 0276, 0350, 0351, 0352, 0353, 0357, 0359, 0380, 0406, 0414, 0424, 0425, 0431, 0438, 0444, 0450, 0490, 0495, 0540, 0592, 0598, 0599, 0667, 0670, 0676, 0681, 0764, 0765, 0776, 0862, 0872, 0892, 0964, 0966, 0970, 0972, 0973, 0980.			394818 Cap—Fuel Tank
154	93527	Screw—Machine, Rd. Hd.—5-40 x 5/8"			297863 Cap—Fuel Tank	189	90366	Washer—Lock 5/16 x 1/8 x 1/16
163	27660	Gasket—Air Cleaner Mounting			Used on Type Nos. 0017, 0018, 0101, 0129, 0130, 0181, 0185, 0195, 0196, 0205, 0208, 0221, 0227, 0229, 0233, 0237, 0239, 0243, 0255, 0266, 0277, 0283, 0286, 0288, 0290, 0293, 0294, 0296, 0298, 0299, 0303, 0304, 0305, 0306, 0307, 0308, 0326, 0333, 0344, 0347, 0381, 0385, 0392, 0470, 0478, 0693, 0714, 0724, 0787, 0884, 0931, 0984, 0987, 1007, 1009, 1010, 1074, 1113, 1142, 1179.	190	93440	Screw—Fuel Tank Mounting Sem
163A	270488	Gasket—Air Cleaner Mounting			297863 Cap—Fuel Tank	191	*27911	Gasket—Fuel Tank Mounting (2)
165	93856	Wing Nut			Used on Type Nos. 0017, 0018, 0101, 0129, 0130, 0181, 0185, 0195, 0196, 0205, 0208, 0221, 0227, 0229, 0233, 0237, 0239, 0243, 0255, 0266, 0277, 0283, 0286, 0288, 0290, 0293, 0294, 0296, 0298, 0299, 0303, 0304, 0305, 0306, 0307, 0308, 0324, 0343, 0345, 0350, 0351, 0352, 0353, 0354, 0355, 0357, 0359, 0376, 0389, 0391, 0400, 0406, 0409, 0414, 0418, 0419, 0420, 0422, 0424, 0425, 0431, 0438, 0471, 0490, 0492, 0501, 0540, 0598, 0599, 0600, 0605, 0645, 0667, 0670, 0676, 0681, 0694, 0737, 0873, 0877, 0992, 1045, 1046, 1047, 1051, 1055, 1061, 1062, 1063, 1077, 1088, 1089, 1093, 1094, 1098, 1101, 1135, 1137, 1138, 1159, 1175, 1195.	200	221480	Guide—Air
166	231176	Stud—Air Cleaner			297863 Cap—Fuel Tank	201	261558	Link—Governor (Used after Code No. 80052900)
172	271077	Gasket—Air Cleaner			Used on Type Nos. 0017, 0018, 0101, 0129, 0130, 0181, 0185, 0195, 0196, 0205, 0208, 0221, 0227, 0229, 0233, 0237, 0239, 0243, 0255, 0266, 0277, 0283, 0286, 0288, 0290, 0293, 0294, 0296, 0298, 0299, 0303, 0304, 0305, 0306, 0307, 0308, 0324, 0343, 0345, 0350, 0351, 0352, 0353, 0354, 0355, 0357, 0359, 0376, 0389, 0391, 0400, 0406, 0409, 0414, 0418, 0419, 0420, 0422, 0424, 0425, 0431, 0438, 0471, 0490, 0492, 0501, 0540, 0598, 0599, 0600, 0605, 0645, 0667, 0670, 0676, 0681, 0694, 0737, 0873, 0877, 0992, 1045, 1046, 1047, 1051, 1055, 1061, 1062, 1063, 1077, 1088, 1089, 1093, 1094, 1098, 1101, 1135, 1137, 1138, 1159, 1175, 1195.	<b>Note:</b> 260661	Link—Governor (Used before Code No. 80053000)	
180	297600	Tank Assembly—Fuel			Used on Type Nos. 0017, 0018, 0101, 0129, 0130, 0181, 0185, 0195, 0196, 0205, 0208, 0221, 0227, 0229, 0233, 0237, 0239, 0243, 0255, 0266, 0277, 0283, 0286, 0288, 0290, 0293, 0294, 0296, 0298, 0299, 0303, 0304, 0305, 0306, 0307, 0308, 0324, 0343, 0345, 0350, 0351, 0352, 0353, 0354, 0355, 0357, 0359, 0376, 0389, 0391, 0400, 0406, 0409, 0414, 0418, 0419, 0420, 0422, 0424, 0425, 0431, 0438, 0471, 0490, 0492, 0501, 0540, 0598, 0599, 0600, 0605, 0645, 0667, 0670, 0676, 0681, 0694, 0737, 0873, 0877, 0992, 1045, 1046, 1047, 1051, 1055, 1061, 1062, 1063, 1077, 1088, 1089, 1093, 1094, 1098, 1101, 1135, 1137, 1138, 1159, 1175, 1195.	202	260678	Link—Throttle
	<b>Note:</b> 390160	Tank Assy.—Fuel			Used on Type Nos. 0017, 0018, 0101, 0129, 0130, 0181, 0185, 0195, 0196, 0205, 0208, 0221, 0227, 0229, 0233, 0237, 0239, 0243, 0255, 0266, 0277, 0283, 0286, 0288, 0290, 0293, 0294, 0296, 0298, 0299, 0303, 0304, 0305, 0306, 0307, 0308, 0324, 0343, 0345, 0350, 0351, 0352, 0353, 0354, 0355, 0357, 0359, 0376, 0389, 0391, 0400, 0406, 0409, 0414, 0418, 0419, 0420, 0422, 0424, 0425, 0431, 0438, 0471, 0490, 0492, 0501, 0540, 0598, 0599, 0600, 0605, 0645, 0667, 0670, 0676, 0681, 0694, 0737, 0873, 0877, 0992, 1045, 1046, 1047, 1051, 1055, 1061, 1062, 1063, 1077, 1088, 1089, 1093, 1094, 1098, 1101, 1135, 1137, 1138, 1159, 1175, 1195.	203	393919	Crank—Bell
		Used on Type Nos. 0235, 0245, 0259, 0266, 0267, 0269, 0276, 0278, 0282, 0284, 0285, 0286, 0287, 0288, 0289, 0293, 0294, 0296, 0297, 0299, 0303, 0304, 0305, 0306, 0307, 0308, 0326, 0333, 0344, 0347, 0381, 0385, 0392, 0470, 0478, 0693, 0714, 0724, 0787, 0884, 0931, 0984, 0987, 1007, 1009, 1010, 1074, 1113, 1142, 1179.			297863 Cap—Fuel Tank	<b>Note:</b> 297718	Crank—Bell (Used before Code No. 79010500)	
		391422 Tank Assy.—Fuel			Used on Type Nos. 0017, 0018, 0101, 0129, 0130, 0181, 0185, 0195, 0196, 0205, 0208, 0221, 0227, 0229, 0233, 0237, 0239, 0243, 0255, 0266, 0277, 0283, 0286, 0288, 0290, 0293, 0294, 0296, 0298, 0299, 0303, 0304, 0305, 0306, 0307, 0308, 0324, 0343, 0345, 0350, 0351, 0352, 0353, 0354, 0355, 0357, 0359, 0376, 0389, 0391, 0400, 0406, 0409, 0414, 0418, 0419, 0420, 0422, 0424, 0425, 0431, 0438, 0471, 0490, 0492, 0501, 0540, 0598, 0599, 0600, 0605, 0645, 0667, 0670, 0676, 0681, 0694, 0737, 0873, 0877, 0992, 1045, 1046, 1047, 1051, 1055, 1061, 1062, 1063, 1077, 1088, 1089, 1093, 1094, 1098, 1101, 1135, 1137, 1138, 1159, 1175, 1195.	204	222962	Bushing—Governor Lever (Flat)
		Used on Type Nos. 0453, 0463, 0567, 0804.			Used on Type Nos. 0017, 0018, 0101, 0129, 0130, 0181, 0185, 0195, 0196, 0205, 0208, 0221, 0227, 0229, 0233, 0237, 0239, 0243, 0255, 0266, 0277, 0283, 0286, 0288, 0290, 0293, 0294, 0296, 0298, 0299, 0303, 0304, 0305, 0306, 0307, 0308, 0324, 0343, 0345, 0350, 0351, 0352, 0353, 0354, 0355, 0357, 0359, 0376, 0389, 0391, 0400, 0406, 0409, 0414, 0418, 0419, 0420, 0422, 0424, 0425, 0431, 0438, 0471, 0490, 0492, 0501, 0540, 0598, 0599, 0600, 0605, 0645, 0667, 0670, 0676, 0681, 0694, 0737, 0873, 0877, 0992, 1045, 1046, 1047, 1051, 1055, 1061, 1062, 1063, 1077, 1088, 1089, 1093, 1094, 1098, 1101, 1135, 1137, 1138, 1159, 1175, 1195.	<b>Note:</b> 222962	For Specials see Ref. 223.	
		392380 Tank Assy.—Fuel			Used on Type Nos. 0017, 0018, 0101, 0129, 0130, 0181, 0185, 0195, 0196, 0205, 0208, 0221, 0227, 0229, 0233, 0237, 0239, 0243, 0255, 0266, 0277, 0283, 0286, 0288, 0290, 0293, 0294, 0296, 0298, 0299, 0303, 0304, 0305, 0306, 0307, 0308, 0324, 0343, 0345, 0350, 0351, 0352, 0353, 0354, 0355, 0357, 0359, 0376, 0389, 0391, 0400, 0406, 0409, 0414, 0418, 0419, 0420, 0422, 0424, 0425, 0431, 0438, 0471, 0490, 0492, 0501, 0540, 0598, 0599, 0600, 0605, 0645, 0667, 0670, 0676, 0681, 0694, 0737, 0873, 0877, 0992, 1045, 1046, 1047, 1051, 1055, 1061, 1062, 1063, 1077, 1088, 1089, 1093, 1094, 1098, 1101, 1135, 1137, 1138, 1159, 1175, 1195.	205	93838	Screw—Shoulder
		Used on Type Nos. 0633, 0685, 0709, 0736, 1117.			Used on Type Nos. 0017, 0018, 0101, 0129, 0130, 0181, 0185, 0195, 0196, 0205, 0208, 0221, 0227, 0229, 0233, 0237, 0239, 0243, 0255, 0266, 0277, 0283, 0286, 0288, 0290, 0293, 0294, 0296, 0298, 0299, 0303, 0304, 0305, 0306, 0307, 0308, 0324, 0343, 0345, 0350, 0351, 0352, 0353, 0354, 0355, 0357, 0359, 0376, 0389, 0391, 0400, 0406, 0409, 0414, 0418, 0419, 0420, 0422, 0424, 0425, 0431, 0438, 0471, 0490, 0492, 0501, 0540, 0598, 0599, 0600, 0605, 0645, 0667, 0670, 0676, 0681, 0694, 0737, 0873, 0877, 0992, 1045, 1046, 1047, 1051, 1055, 1061, 1062, 1063, 1077, 1088, 1089, 1093, 1094, 1098, 1101, 1135, 1137, 1138, 1159, 1175, 1195.	206	230149	Nut—Control Rod
		395548 Tank Assy.—Fuel (1 Quart)			Used on Type Nos. 0017, 0018, 0101, 0129, 0130, 0181, 0185, 0195, 0196, 0205, 0208, 0221, 0227, 0229, 0233, 0237, 0239, 0243, 0255, 0266, 0277, 0283, 0286, 0288, 0290, 0293, 0294, 0296, 0298, 0299, 0303, 0304, 0305, 0306, 0307, 0308, 0324, 0343, 0345, 0350, 0351, 0352, 0353, 0354, 0355, 0357, 0359, 0376, 0389, 0391, 0400, 0406, 0409, 0414, 0418, 0419, 0420, 0422, 0424, 0425, 0431, 0438, 0471, 0490, 0492, 0501, 0540, 0598, 0599, 0600, 0605, 0645, 0667, 0670, 0676, 0681, 0694, 0737, 0873, 0877, 0992, 1045, 1046, 1047, 1051, 1055, 1061, 1062, 1063, 1077, 1088, 1089, 1093, 1094, 1098, 1101, 1135, 1137, 1138, 1159, 1175, 1195.	<b>Note:</b> 21772	Nut—Control Rod	
		<b>Uses:</b>			Used on Type Nos. 0017, 0018, 0101, 0129, 0130, 0181, 0185, 0195, 0196, 0205, 0208, 0221, 0227, 0229, 0233, 0237, 0239, 0243, 0255, 0266, 0277, 0283, 0286, 0288, 0290, 0293, 0294, 0296, 0298, 0299, 0303, 0304, 0305, 0306, 0307, 0308, 0324, 0343, 0345, 0350, 0351, 0352, 0353, 0354, 0355, 0357, 0359, 0376, 0389, 0391, 0400, 0406, 0409, 0414, 0418, 0419, 0420, 0422, 0424, 0425, 0431, 0438, 0471, 0490, 0492, 0501, 0540, 0598, 0599, 0600, 0605, 0645, 0667, 0670, 0676, 0681, 0694, 0737, 0873, 0877, 0992, 1045, 1046, 1047, 1051, 1055, 1061, 1062, 1063, 1077, 1088, 1089, 1093, 1094, 1098, 1101, 1135, 1137, 1138, 1159, 1175, 1195.	206A	280012	Nut—Control Rod
		395556 Bracket—Control			Used on Type Nos. 0017, 0018, 0101, 0129, 0130, 0181, 0185, 0195, 0196, 0205, 0208, 0221, 0227, 0229, 0233, 0237, 0239, 0243, 0255, 0266, 0277, 0283, 0286, 0288, 0290, 0293, 0294, 0296, 0298, 0299, 0303, 0304, 0305, 0306, 0307, 0308, 0324, 0343, 0345, 0350, 0351, 0352, 0353, 0354, 0355, 0357, 0359, 0376, 0389, 0391, 0400, 0406, 0409, 0414, 0418, 0419, 0420, 0422, 0424, 0425, 0431, 0438, 0471, 0490, 0492, 0501, 0540, 0598, 0599, 0600, 0605, 0645, 0667, 0670, 0676, 0681, 0694, 0737, 0873, 0877, 0992, 1045, 1046, 1047, 1051, 1055, 1061, 1062, 1063, 1077, 1088, 1089, 1093, 1094, 1098, 1101, 1135, 1137, 1138, 1159, 1175, 1195.	206B	93422	Stopnut—Hexagon
		93105 Screw (Tank to Bracket)			Used on Type No. 1181.	207	26855	Spring—Control Rod
		Used on Type No. 1181.				208	230737	Rod—Control
						<b>Note:</b> 230946	Rod—Control	
							Used on Type Nos. 0075, 0199, 0200, 0209, 0318, 0331, 0334, 0346, 0375, 0376, 0379, 0387, 0395, 0401, 0404, 0412, 0473, 0508, 0510, 0522, 0531, 0533, 0535, 0542, 0556, 0588, 0605, 0645, 0659, 0726, 0735, 0757, 0773,	

\*Included in Gasket Set—  
Part No. 297615.

# 130200 to 130299

REF. NO.	PART NO.	DESCRIPTION	REF. NO.	PART NO.	DESCRIPTION	REF. NO.	PART NO.	DESCRIPTION
		0846, 0848, 0876, 0930, 0953, 0955, 1013, 1070, 1106, 1122, 1155, 1188. <b>261297</b> Rod—Control Used on Type Nos. 0521, 0528, 0530, 0679, 0818, 0838, 0923, 0937, 0941, 0946, 0956, 0961, 1036, 1048, 1049, 1050, 1181.			<b>90597</b> Screw—Mach., Rd. Hd.—10-32 x 1/2" and <b>260847</b> Spring Washer on Type Nos. 0017, 0018, 0130, 1048, 0154, 0158, 0174, 0181, 0184, 0185, 0194, 0196, 0221, 0230, 0233, 0237, 0239, 0247, 0255, 0277, 0281, 0298, 0316, 0324, 0325, 0327, 0336, 0337, 0340, 0350, 0351, 0352, 0353, 0359, 0364, 0406, 0414, 0416, 0418, 0419, 0422, 0425, 0431, 0435, 0438, 0439, 0451, 0458, 0471, 0480, 0481, 0485, 0514, 0520, 0540, 0568, 0573, 0592, 0607, 0608, 0620, 0635, 0636, 0640, 0641, 0649, 0660, 0667, 0681, 0691, 0718, 0731, 0751, 0752, 0776, 0795, 0827, 0855, 0859, 0861, 0862, 0872, 0881, 0914, 0950, 0969, 0978, 0981, 1000, 1012, 1014, 1022, 1024, 1025, 1034, 1041, 1055, 1058, 1062, 1083, 1088, 1089, 1096, 1119, 1127, 1132, 1137, 1138, 1157, 1166, 1170, 1202.	<b>227</b>	<b>393920</b>	Lever Assy.—Governor <b>Note:</b> <b>297601</b> Lever Assy.— Gov.—For 3/16" Dia. Crank (Used before Code No. 75060607)
<b>208A</b>	<b>392172</b>	Rod—Control				<b>229</b>	<b>220680</b>	Washer—Governor Lever (Used before Code No. 75120900)
<b>208B</b>	<b>261593</b>	Rod—Control				<b>230</b>	<b>222450</b>	Washer—Governor Lever (1/4" I.D.)
<b>209</b>	<b>260695</b>	Spring—Governor <b>Note:</b> <b>260902</b> Spring—Gov. Used on Type Nos. 0721, 0722, 0743, 0777, 1159. <b>261130</b> Spring—Gov. Used on Type No. 0983, 1126.					<b>221559</b>	Washer—Governor Lever (3/16" I.D.)
<b>216</b>	<b>299859</b>	Link—Choke (Includes Bell Crank)				<b>231</b>	<b>93064</b>	Screw—Sem
<b>216A</b>	<b>391899</b>	Rod—Choke				<b>232</b>	<b>260478</b>	Spring—Governor Link
<b>216B</b>	<b>392405</b>	Rod—Control				<b>233</b>	<b>230253</b>	Stop—Control Rod
<b>216C</b>	<b>231093</b>	Link—Choke				<b>234</b>	<b>220730</b>	Clip—Control Rod
<b>216D</b>	<b>261592</b>	Rod—Choke				<b>256</b>	<b>299859</b>	Crank—Bell (Includes Choke Link)
<b>216E</b>	<b>394562</b>	Hand Choke Assy.				<b>256A</b>	<b>222582</b>	Lever—Choke
<b>216F</b>	<b>261591</b>	Rod—Choke				<b>257</b>	<b>93543</b>	Screw—Fil. Hd. Sem
<b>217</b>	<b>260189</b>	Spring—Choke Link				<b>257A</b>	<b>90746</b>	Screw—Fil. Hd. Sem
<b>217A</b>	<b>261331</b>	Spring—Control Rod				<b>265</b>	<b>221535</b>	Clamp—Casing
<b>218</b>	<b>221198</b>	Washer—Choke Link				<b>265A</b>	<b>222629</b>	Bracket—Cable Clamp
<b>219</b>	<b>391737</b>	Gear—Governor (Used after Code No. 75060507) <b>Note:</b> <b>297656</b> Gear—Gov. (Used before Code No. 75060607)				<b>267</b>	<b>93496</b>	Screw—Sem <b>Note:</b> <b>93686</b> Screw—Self Tapping Used on Type Nos. 0633, 0685, 0709, 0736, 0830, 1117.
<b>220</b>	<b>221551</b>	Washer—Thrust				<b>267A</b>	<b>93543</b>	Screw—Sem
<b>223</b>	<b>221517</b>	Lever—Governor Control <b>Note:</b> <b>230943</b> Bushing— Governor Lever (with 1/2" dia. Flange) Used with <b>93440</b> Screw—Sem and <b>93569</b> Spring Washer <b>Or:</b> <b>23688</b> Bushing— Governor Lever (with 3/8" dia. Flange) Used with	<b>224</b>	<b>93491</b>	Rivet—Governor Control <b>Note:</b> <b>93495</b> Rivet—Governor Control Lever Mtg. Used with <b>221517</b> Lever, <b>222597</b> Lever—Adapter and <b>230852</b> Bushing on Type Nos. 0633, 0685, 0709, 0736, 0766, 0830, 1009. <b>For other Specials</b> <b>see Ref. 223.</b>	<b>268</b>	<b>66986</b>	Casing—Control Wire— 48" long <b>Note:</b> If longer casing is needed, specify length in inches; if a shorter casing is needed order No. 66986 and cut to required length.
						<b>269</b>	<b>26099</b>	Wire—Control 54" long <b>Note:</b> If longer wire is needed-specify length in inches; if shorter wire is needed order No. 26099 and cut to required length.
						<b>270</b>	<b>63426</b>	Locknut—Control Wire Casing
						<b>271</b>	<b>290568</b>	Lever Assy.—Control

# 130200 to 130299

REF. NO.	PART NO.	DESCRIPTION	REF. NO.	PART NO.	DESCRIPTION
280	221384	Strap—Control Rod	299	393368	Muffler—Exhaust (Round Lo-Tone)
		<b>Note:</b> 230944 Guide—Control Rod Used in 221384 Strap on Type Nos. 0015, 0023, 0024, 0025, 0035, 0036, 0037, 0049, 0070, 0268, 0270, 0460, 0461, 0462, 0487, 0489, 0536, 0563, 0566, 0586, 0616, 0617, 0688, 0700, 0719, 0720, 0732, 0753, 0774, 0785, 0824, 0828, 0829, 0837, 0874, 0896, 0901, 0919, 0960, 1012, 1020, 1095, 1125, 1158, 2015, 2035, 2036, 2039, 2049. 390341 Strap—Control Rod Used on Type Nos. 0148, 0154, 0158, 0160, 0174, 0184, 0194, 0230, 0247, 0281, 0316, 0325, 0327, 0336, 0337, 0340, 0364, 0416, 0422, 0435, 0439, 0451, 0458, 0471, 0480, 0481, 0485, 0514, 0520, 0568, 0573, 0607, 0608, 0620, 0635, 0636, 0649, 0660, 0691, 0718, 0731, 0751, 0752, 0795, 0827, 0855, 0859, 0861, 0881, 0914, 0950, 0969, 0978, 0981, 1000, 1014, 1022, 1024, 1025, 1034, 1041, 1058, 1083, 1096, 1119, 1127, 1132, 1157, 1166, 1170, 1202.			
			300	393615	Muffler—Exhaust <b>Note:</b> Parts furnished by equipment manufacturer: 222595 Shield—Heat Used on Type No. 0600.
			300A	391313	Muffler—Exhaust <b>Note:</b> 391232 Guard—Muffler <b>Uses:</b> 93415 Screw (Guard and Retainer Mounting) 93606 Screw (Guard to Muffler Mounting) 222379 Retainer—Muffler 222361 Brace—Muffler Used on Type Nos. 0562, 0569, 0589, 0693, 0842, 0879.
			300B	392101	Muffler—Exhaust (25 Super Lo-Tone)
			300C	297274	Muffler—Exhaust (Side Outlet) <b>Note:</b> 89953 Muffler—Exhaust Used on Type Nos. 0316, 0349, 0407, 0587, 0675. 222291 Guard—Muffler (Mounted to Cylinder Head) Used on Type Nos. 0200, 0557. 294599 Muffler—Exh. Used on Type Nos. 0137, 0167, 0179, 0192, 0207, 0222, 0225, 0231, 0238, 0242, 0245, 0246,
298	261409	Locknut—Muffler			
			300D	391435	Muffler—Exhaust
			303	91464	Elbow—Exhaust, 90°, Street <b>Note:</b> 91219 Elbow—Exhaust, 45°, Street Used on Type Nos. 0246, 0266, 0313, 0316, 0341, 0375, 0400, 0415, 0465, 0479, 0542, 0555, 0587, 0636, 0637, 0655, 0675, 0738, 0791, 1084.

# 130200 to 130299

REF. NO.	PART NO.	DESCRIPTION	REF. NO.	PART NO.	DESCRIPTION	REF. NO.	PART NO.	DESCRIPTION
304	299410	Housing—Blower			0418, 0419, 0424,			<b>Note:</b> 29693 Plug—Spark
	<b>Note:</b> 297855	Housing—Blower			0425, 0438, 0490,			2" High—51 M.M.
		Used on Type Nos.			0540, 0598, 0676,			293918 Plug—Spark
		0243, 0244, 0250,			0694, 0765, 0776,			1-1/2" High—
		0274, 0275, 0293,			0872, 0873, 0966,			37 M.M. (Resistor
		0294, 0296, 0310,			0970, 0972, 0973,			Type)
		0367.			0980.			392588 Plug—Spark
	298572	Housing—Blower			392173 Housing—Blower			2" High—51 M.M.
		Used on Type Nos.			Used on Type Nos.			(Resistor Type)
		0017, 0129, 0130,			0640, 0667, 0681.	340	26018	Spring—Breaker Arm
		0181, 0185, 0196,	305	93158	Screw—Blower	341	93381	Screw—Breaker Arm
		0205, 0208, 0221,			Housing Mounting			Mounting Sem
		0227, 0229, 0233,	306	221511	Shield—Cylinder	342	65704	Plunger—Breaker Point
		0237, 0239, 0255,			<b>Note:</b> 222583 Shield—Cyl.	344	93042	Screw—Condenser
		0277, 0283, 0290,			Used on Type Nos.			Clamp Mounting Sem
		0298, 0319, 0324,			0592, 0640, 0641,	345	220366	Cover—Breaker Point
		0350, 0355, 0357,			0647, 0764, 0862,			and Condenser
		0359, 0389, 0414,			0964.			<b>Note:</b> 222168 Cover—Breaker
		0420, 0431, 0501,			223110 Shield—Cyl.			Point and Condenser
		0599, 0670, 0737,			Used on Type Nos.			Used on Type Nos.
		0892.			1061, 1062, 1063,			0017, 0018, 0101,
		390658 Housing—Blower	307	93042	1077, 1098, 1101,			0129, 0130, 0181,
		Used on Type Nos.			1137.			0185, 0196, 0205,
		0025, 0119, 0121,			308	221512	Cover—Cylinder Head	0208, 0221, 0227,
		0123, 0358, 0361,			<b>Note:</b> 222291 Guard—Muffler			0229, 0233, 0237,
		0373, 0388, 0391,			(Mounted to Cylinder Head)			0239, 0255, 0277,
		0392, 0400, 0402,			Used on Type No.			0283, 0290, 0298,
		0411, 0417, 0427,			0200.			0319, 0324, 0345,
		0436, 0450, 0483,	309		309			0350, 0351, 0352,
		0493, 0496, 0511,			Motor—Starting			0353, 0355, 0357,
		0539, 0554, 0592,			See Chart on Page 7			0359, 0389, 0406,
		0660, 0725, 0733,			for Replacement Parts			0409, 0414, 0418,
		0764, 0782, 0802,			for Starting Motors			0419, 0420, 0422,
		0862, 0964, 0971,			325	299421	Starter Pulley with	0424, 0425, 0431,
		1023, 1140, 1198.					Screen	0438, 0471, 0490,
		390884 Housing—Blower			<b>Note:</b> 221082 Pulley—Starter			0501, 0540, 0592,
		Used on Type Nos.			Used on Type No.			0598, 0599, 0667,
		0345, 0351, 0352,			0427.			0670, 0764, 0765,
		0353, 0406, 0409,			330	69932	Rope—Starter	0776, 0822, 0844,
					331	220865	Washer—Flywheel	0862, 0872, 0877,
					332	92284	Nut—Flywheel	0892, 0910, 0964,
					333	298316	Armature—Magneto	0966, 0970, 0972,
					334	93613	Screw—Armature	0973, 0980, 1006,
							Mounting Sem (2)	1011, 1045, 1046,
					335	93414	Screw—Armature Mtg.	1047, 1051, 1055,
							Sem	1061, 1062, 1063,
					337	298809	Plug—Spark	1077, 1088, 1089,
							1-1/2" High—	1093, 1098, 1101,
							37-42 M.M.	1137, 1138, 1175.
								346
								93705
								Screw—Sem

# 130200 to 130299

REF. NO.	PART NO.	DESCRIPTION	REF. NO.	PART NO.	DESCRIPTION	REF. NO.	PART NO.	DESCRIPTION
347	220884	Switch—Stop (For 1-1/2" High— 37 & 42 M.M. Spark Plugs)			0715, 0725, 0742, 0780, 0785, 0790, 0802, 0841, 0842, 0852, 0871, 0884, 0886, 0897, 0912, 0927, 0931, 0954, 0965, 0981, 0982, 0984, 0986, 0987, 0988, 0994, 0996, 1007, 1010, 1014, 1015, 1027, 1048, 1053, 1056, 1072, 1074, 1080, 1112, 1113, 1129, 1137, 1138, 1142, 1164, 1179.	392A	260847	Spring—Choke Friction
	<b>Note:</b>	221808 Switch—Stop (For 2" High—51 M.M. Spark Plugs)				394	270026	Diaphragm
		298927 Switch—Stop Used with 22963 Washer on Type No. 0731, 0751, 0752, 0827, 0855.				409	299837	Lever-Trol—Speed Control
		390785 Switch—Stop Used with 22963 Washer on Type Nos. 0219, 0272, 0286, 0383, 0529, 0570, 0583, 0683, 0702, 0745, 0785, 0809, 0834, 0838, 0907, 0923, 0941, 0965, 0999, 1059, 1107, 1124, 1135, 1159, 1181, 1185, 1197, 2015, 2035, 2036, 2038, 2039, 2049.				414	220982	Washer
						423	93410	Screw—Sem
						432	221377	Cap—Spring
						432A	221766	Cap—Choke Spring
						433	93265	Pin—Diaphragm Cover
						434	210959	Cover—Diaphragm
						435	93141	Screw—Diaphragm Cover
						445	392308	Cartridge—Air Cleaner
						446	222844	Base—Air Cleaner
						447	93913	Screw—Air Cleaner
						454	296178	Housing—Fuel Pipe Screen (for 3/16" O.D. Pipe)
						467	212293	Knob—Air Cleaner
						467A	391908	Knob—Choke Rod
						473	93475	Screw—Sem
						474	394173	Stator Assembly— Alternator
						474A	390410	Alternator Assembly <b>Note:</b> 391052 Alternator Assy. Used on Type Nos. 0373, 0391, 0392, 0400, 0450, 0483, 0496.
351	93735	Screw—Terminal			0576, 0598, 0599, 0645, 0676, 0678, 0702, 0734, 0764, 0765, 0938, 0957, 0964, 0966, 0970, 0972, 0973, 1017, 1045, 1046, 1047, 1077, 1088, 1089, 1098, 1114, 1125, 1141, 1158, 1175, 1180.	481	230970	Bushing—Stator
352	66068	Washer				482	93639	Screw—Alternator Armature Mounting
353	92791	Washer—Lock— Shakeproof (3)	357	91539	Key	506	90200	Screw—Machine, Fil. Hd.—8-32 x 1/2"
354	90576	Nut—Hex.—8-32	358	297615	Gasket Set	507	66895	Insulator
355	66554	Washer—Insulating	362	291630	Shield—Spark Plug (with Stop Switch)	516	260374	Spring—Connector
356	299500	Wire—Ground <b>Note:</b> 391115 Wire—Ground Used on Type Nos. 0326, 0330, 0347, 0354, 0372, 0373, 0380, 0385, 0386, 0388, 0391, 0400, 0410, 0411, 0417, 0427, 0429, 0433, 0434, 0436, 0444, 0450, 0466, 0467, 0468, 0474, 0476, 0477, 0482, 0483, 0486, 0495, 0496, 0503, 0518, 0525, 0570, 0572, 0574, 0575, 0582, 0585, 0586, 0590, 0595, 0609, 0618, 0623, 0627, 0656, 0665, 0669, 0693, 0694.			<b>Note:</b> 89742 Shield—Spark Plug Used on Type Nos. 0466, 0482, 0661, 0669, 0773, 0779, 0783, 0800, 0832, 0886, 0904, 1129.	520	93722	Terminal—Spade
						521	298529	Shielding—Ignition Cable
			363	19069	Flywheel Puller (Optional Accessory)	523	297357	Cap and Dipstick—Oil Filler
			372	220477	Clamp—Condenser	524	65304	Gasket—Oil Filler Cap
			373	92987	Nut—Hex.	525	91258	Nipple—Oil Filler <b>Note:</b> Use 394884 Adapter Oil Filler with Nipple.
			375	294628	Breaker Points and Condenser Set <b>Note:</b> 299061 Ignition Kit <b>Includes:</b> 294628 Set 65704 Plunger 61760 Key—Flywheel	526	93343	Screw—Tank Bracket Mounting Sem
			383	89838	Wrench—Spark Plug	527	221514	Clamp—Breather Tube
			392	260455	Spring—Fuel Pump Diaphragm	528	230722	Tube—Breather

# 130200 to 130299

REF. NO.	PART NO.	DESCRIPTION	REF. NO.	PART NO.	DESCRIPTION	REF. NO.	PART NO.	DESCRIPTION
529	67838	Grommet—Breather Tube		280025	Cup—Air Cleaner	612	296811	Pipe—Fuel
533	230149	Knob—Control Rod			Used on Type Nos. 0204, 0241, 0248, 0254, 0300, 0314.	613	93935	Screw—Hex. Hd. Shoulder
		<b>Uses:</b>						<b>Note:</b> 93549 Screw—1/4-20 Hex. Hd.
534	93322	Screw—Air Cleaner.	538	390756	Rod—Control	613A	93704	Screw—Muffler Mtg.
		<b>Note:</b> 230741 Stud—Air Cleaner	538A	299545	Rod—Control	613B	93377	Screw—Muffler Mtg.
		92067 Nut—Wing	539	221372	Clip—Control Rod	614	93306	Cotter—Hair Pin
		Used on Type Nos. 0204, 0241, 0248, 0254, 0300, 0314, 0348, 0356, 0370, 0378, 0403, 0422, 0442, 0452, 0471, 0472, 0480, 0481, 0484, 0505, 0560, 0661, 0668, 0687, 0691, 0701, 0767, 0788, 0914, 0936.	539A	93784	Clamp—Choke Rod	615	93307	Retainer—E-Ring
534A	93825	Screw—Air Cleaner	541	22398	Washer	616	231077	Crank—Governor (1/4" Dia.)
535	27987	Element—Air Cleaner	542	92265	Screw			(Used after Code No. 75060507)
		<b>Note:</b> 270209 Element—Air Cleaner	549	271118	Washer—Air Cleaner			<b>Note:</b> 230723 Crank—Gov. (3/16" Dia.)
		Used on Type Nos. 0204, 0241, 0248, 0254, 0300, 0314.	549A	270978	Washer			(Used before Code No. 75060607)
		390492 Element—Air Cleaner	552	231079	Bushing—Governor Crank (1/4" I.D.)			(Used before Code No. 75060607)
		<b>Uses:</b>			<b>Note:</b> 230732 Bushing—Gov. Crank (3/16" I.D.)	621	297472	Switch—Stop
		390588 Cover—Air Cleaner	562	92613	Bolt—Governor Lever	624	390383	Crank—Bell
		221969 Support—Air Cleaner	592	231082	Nut—Hex.—10-24			(Includes Bell Crank Link)
		270730 Gasket—Air Cleaner	608	390463	Starter Assy.—Rewind			<b>Note:</b> 222476 Crank—Bell
		Used on Type Nos. 0348, 0356, 0370, 0378, 0403, 0422, 0442, 0452, 0471, 0472, 0480, 0481, 0484, 0505, 0560, 0661, 0668, 0687, 0691, 0701, 0767, 0788, 0914, 0936.			<b>Note:</b> 297259 Str. Assy—Rewind			Used on Type Nos. 0521, 0528, 0530, 0679, 0818, 0838, 0923, 0937, 0941, 0946, 0956, 0961, 1036, 1048, 1049, 1050, 1181.
535A	270979	Element—Air Cleaner			298573 Starter Assy.—Rewind (Cast Hsg.)	626	230749	Spacer—Governor Crank
536	297036	Cleaner Assembly—Air			Used on Type Nos. 0222, 0257, 0267, 0269, 0303.	629	261094	Spring—Throttle Return
		<b>Note:</b> 299593 Cleaner Assy.—Air	608A	297372	Starter Assy.—Rewind (10 o'clock position)			<b>Note:</b> 261137 Spring—Throttle Return
		<b>Uses:</b>			<b>Note:</b> 394475 Starter Assy.—Rewind (10 o'clock)			<b>Uses:</b>
		221969 Support—Air Cleaner			Used on Type Nos. 1045, 0146, 1047, 1051, 1089, 1094, 1138, 1175.			No. 222268 Connector between Lever on Tank Bracket and Control Wire.
					394490 Starter Assy.—Rewind (3 o'clock)			Used on Type Nos. 0343, 0354, 0372, 0380, 0391, 0400, 0410, 0411, 0444, 0450, 0474, 0483, 0495, 0496, 0897, 0988, 0997.
			609	260694	Spring—Throttle Link	630	222597	Lever—Adapter
			611	391813	Fuel Pipe and Clip Assembly	631	230852	Bushing
					<b>Note:</b> 297219 Pipe—Fuel (1 Quart)	634	270167	Washer, Throttle Shaft (Felt)
					Used on Type No. 1181.			

# 130200 to 130299

REF. NO.	PART NO.	DESCRIPTION	REF. NO.	PART NO.	DESCRIPTION	REF. NO.	PART NO.	DESCRIPTION
635	66538	Elbow—Spark Plug	682	211516	Shield—Clutch			<b>Uses:</b> <b>280092</b> Sealing Strip Used between Hood and Blower Housing <b>393201</b> Wire & Term- inal Assy. (Key Switch) <b>392755</b> Key Switch Assembly (Furnished by Equip- ment Manufacturer) <b>93836</b> Lockwasher (Key Switch Assy.) (Furnished by Equip- ment Manufacturer) <b>93837</b> Nut—Hex. (Key Switch Assy.) (Furnished by Equip- ment Manufacturer) Used on Type No. 0776.
	<b>Note:</b>	392273 Elbow—R.F. Suppressor (only used with Spark Plug 29693) Used on Type No. 0989.	712	223140	Guard—Ring Gear (With One Tab for 1-5/8" Cut Out in Blower Housing)			
638	93713	Washer—Lock			<b>Note:</b>			
642	222626	Cover—Air Cleaner			222279 Guard—Ring Gear (With Two Tabs for 1-1/8" Cut Out in Blower Housing)			
643	221321	Cup—Air Cleaner						
643A	222845	Cup—Air Cleaner	725	221885	Shield—Heat			
643B	222594	Cup—Air Cleaner			<b>Note:</b>			
645	23513	Bushing—Plunger			Heat Shield 222595 Used on Type No. 0600 are furnished by the equipment manufacturer.			
655	222598	Anchor—Spring (Used after Code No. 73061011)	729	270723	Tie—Rectifier Wire			
	221014	Anchor—Spring (Used before Code No. 73061111)	729A	93708	Clip (Used to retain Ground Wire lead to Cylinder Rib)			
665	298858	Oil Minder	731	299419	Hood—Snow	731A	394410	Hood—Snow
670	261065	Spacer—Armature			<b>Note:</b>	733	93518	Screw—Hood
676	393757	Deflector—Exhaust (Side Outlet)			<b>Uses:</b>	733A	93977	Screw—Hood
	<b>Note:</b>	393761 Deflector— Exhaust (Side Outlet) Used on Type Nos. 0780, 0800. For Spark Arrestor Assy. Use No. 392193 on Type Nos. 0719, 0879, 0901, 0978, 1146, 1166, 1185, 1194, 1202, 2015, 2035, 2036, 2038, 2049. For Spark Arrestor Assy. Use No. 392195 on Type Nos. 0453, 0691, 0795, 0802, 0845, 0886.			No. 280091 Sealing Strip used between Hood and Blower Hsg. Used on Type Nos. 0351, 0352, 0353, 0406, 0418, 0419, 0424, 0425, 0438, 0490, 0540, 0592, 0598, 0670, 0676, 0764, 0765, 0862, 0872, 0964, 0966, 0970, 0972, 0973, 0980.	735	390900	Cord—Starter (Includes Switch)
		393760 Deflector— Exhaust (Side Outlet) Used on Type No. 1123.			391173 Hood—Snow	779	390383	Link—Bell Crank (Includes Bell Crank)
676A	393759	Deflector—Exhaust (Direct Outlet)			<b>Uses:</b>	780	222101	Anchor—Spring
676B	393758	Deflector—Exhaust (Louvered)			222339 Strap—Support			<b>Note:</b>
676C	221488	Deflector—Exhaust (Side Outlet)			92656 Stud—Strap to Crankcase Cover			222267 Anchor—Spring
676D	221527	Deflector—Exhaust (Direct Outlet)			93490 Screw—Strap to Hood	809	390414	Rectifier—Alternator
681	299060	Needle Valve Kit			92278 Nut—Hex. (1)			<b>Note:</b>
					90832 Washer—Lock (2) Used on Type No. 0501.			391051 Housing Assy. Used on Type Nos. 0373, 0391, 0392, 0400, 0450, 0483, 0496.
					393198 Hood—Snow (Key Switch)	823	93712	Screw—Socket Head
						851	221798	Cable Terminal— Ignition

# 130200 to 130299

REF. NO.	PART NO.	DESCRIPTION	REF. NO.	PART NO.	DESCRIPTION	REF. NO.	PART NO.	DESCRIPTION
852	392368	Cleaner Group—Air <b>Note:</b> For Dual Element Air Cleaner Kit Order No. 393018.	870	211172	Seat—Exhaust Valve (Standard) <b>Note:</b> For Options see Repair Manual	878	393422	Alternator Harness Assembly
854	392884	Bracket Assembly—Stop Switch	871	63709	Guide—Exhaust Valve	883	270918	Gasket—Muffler
869	211787	Seat—Intake Valve (Standard)	877	393854	Diode and Connector Assembly	905	394510	Shield—Sno Gard
						905A	394511	Shield—Sno Gard
						915	222933	Liner—Port

