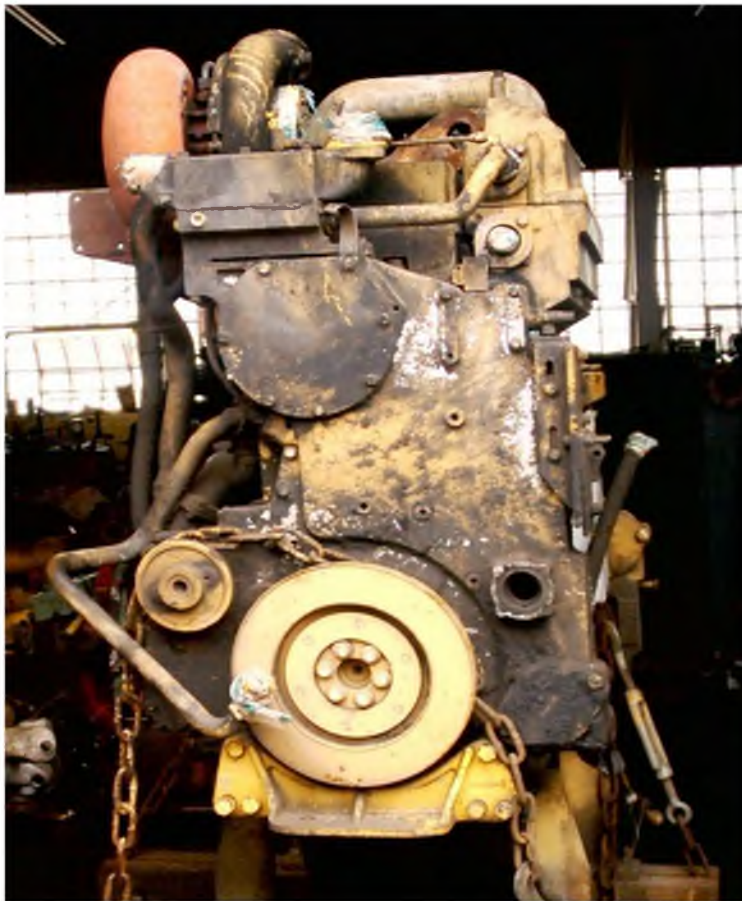




# KT19 Parts Catalog

VME  
L270  
L270B





# Cummins Engine Co., Inc.

## New Parts Warranty Heavy Duty

### COVERAGE

#### PRODUCTS WARRANTED

These warranties apply to New Parts marketed by Cummins for its engines (except those for A, B, and C series engines). They apply anywhere in the world where service is available through a Cummins distributor or full service dealer.\*

#### BASE WARRANTY

The Base Warranty covers any failures of parts on or after March 31, 1986, which result, under normal use and service, from defects in workmanship or material (Warrantable Failures). The coverage on cylinder kits designated by Cummins as "Premium Plus" extends two years, 200,000 miles (321,870 kilometers) or 7,200 hours of operation, whichever occurs first, from the date of first installation. The coverage on other parts extends one year, 100,000 miles (160,935 kilometers) or 3,600 hours of operation, whichever occurs first, from the date of first installation.

#### EXTENDED MAJOR COMPONENTS WARRANTY

The Extended Major Components Warranty covers Warrantable Failures on or after March 31, 1986, of engine cylinder blocks, crankshafts, flangeless NT camshafts\*\* and connecting rods (Covered Parts). Bushing and bearing failures are not included. This coverage begins with the expiration of the Base Warranty and ends three years, 300,000 miles (482,805 kilometers) or 10,800 hours of operation, whichever occurs first, from the date of first installation.

**Both the Base Warranty and Extended Major Components Warranty apply to all Owners in the chain of distribution, and coverage continues to all subsequent Owners until the end of the respective periods of coverage.**

### CUMMINS RESPONSIBILITIES

#### DURING THE BASE WARRANTY

Cummins will pay for all parts and labor needed to repair the damage to the engine resulting from the Warrantable Failure. All labor costs will be paid in accordance with Cummins published Standard Repair Operation guidelines.

Cummins will pay for the lubricating oil, antifreeze, filter elements, and other maintenance items that are not reusable due to the Warrantable Failure.

Cummins will pay reasonable labor costs for engine removal and reinstallation when necessary to make the warranty repair.

When the parts are installed in a non-automotive engine, Cummins will pay reasonable travel expenses for mechanics to and from the engine site, or the repair dock in the case of a marine engine, including meals, mileage and lodging when it is necessary for mechanics to make on-site warranty repairs.

#### DURING THE EXTENDED MAJOR COMPONENTS WARRANTY

Cummins will pay for the Covered Part and for any Covered Part damaged by a Warrantable Failure of another Covered Part.

### OWNER RESPONSIBILITIES

#### DURING THE BASE WARRANTY

Before expiration of the warranty, Owner must give notice to a Cummins distributor or full service dealer\* of a failure considered to be warrantable and have the repair performed by such facility.

If the part was installed in an automotive engine, the Owner must deliver the engine to the repair location. If installed in a marine engine, Owner is responsible for the cost of towing the boat to a repair dock and for any associated docking and harbor charges.

Owner is responsible for the cost of lubricating oil, antifreeze, filter elements and other maintenance items replaced during warranty repairs except where such items are not reusable due to a Warrantable Failure.

#### DURING THE EXTENDED MAJOR COMPONENTS WARRANTY

Before expiration of the warranty, Owner must give notice to a Cummins distributor or full service dealer\* of a failure considered to be warrantable and deliver the defective and damaged Covered Parts to such facility.

Owner is responsible for the cost of all parts needed for the repair except for the defective Covered Part and for any Covered Part damaged by a Warrantable Failure of another Covered Part.

Owner is responsible for the cost of all labor needed to repair the engine, including the labor to remove and reinstall the engine. When Cummins elects to repair a part instead of replacing it, Owner is not responsible for the labor needed to repair the part.

Owner is responsible for the cost of lubricating oil, antifreeze, filter elements and other maintenance items replaced during the repair.

#### DURING BOTH WARRANTIES

At the time when the parts are installed, Owner is responsible for the preparation of a written record containing the following: (1) the date of installation of the parts; (2) the engine serial number; (3) the engine miles, hours or kilometers of operation; (4) the parts installed, and (5) the location of the parts in the engine. The purpose of this record is to protect Owner's interests and support any claim for a Warrantable Failure.

Owner is responsible for the operation and maintenance of the engine as specified in Cummins Operation and Maintenance Manuals.

Owner is responsible for communication expenses, meals, lodging and similar costs incurred by Owner as a result of a Warrantable Failure. Owner is responsible for non-engine repairs and for "down time" expenses, cargo damage and all business costs and losses resulting from a Warrantable Failure. CUMMINS IS NOT RESPONSIBLE FOR INCIDENTAL OR CONSEQUENTIAL DAMAGES.

### LIMITATIONS

Cummins is not responsible for failures resulting from Owner or Operator abuse or neglect, such as: operation without adequate coolant, fuel or lubricants; overfueling; overspeeding; lack of maintenance of lubricating, cooling or air intake systems; improper storage, starting, warm-up, run-in or shutdown practices. Cummins is also not responsible for failures caused by incorrect fuel, or by water, dirt or other contaminants in the fuel.

Cummins does not warrant parts supplied by Cummins which bear the name of another company. These parts are warranted by their manufacturers and not by Cummins. This category of parts includes, but is not limited to: hydraulic pumps, alternators, starters, fans, air conditioning compressors, clutches, steering pumps, transmissions, torque converters, marine gears, air cleaners, filters and non-Cummins air compressors, power steering pumps, and engine compression brakes.

Parts provided may be new Cummins, Cummins approved rebuilt parts, or repaired parts. Cummins is not responsible for failures resulting from the use of parts not approved by Cummins.

Before a claim for excessive oil consumption will be considered, Owner must submit adequate documentation to show that consumption exceeds Cummins published standards.

This warranty does not apply to parts furnished by Cummins at no charge to the Owner.

**INVEST IN THE BEST**

## Product Identification Information

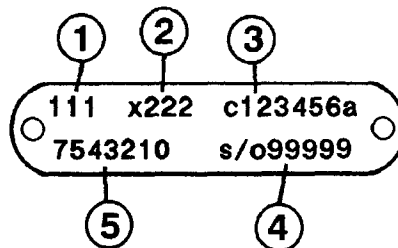
Data plates should be referred for parts identification.

### 1. ENGINE DATA PLATE

③	Engine No.	S.O. No.	
	Model	Ref. No.	
②	Advertised	Engine Cert	④
	Conf. No.	Indent.	
	Date of mfg.	Warranty start date	
Manufactured by Cummins Engine Co.			

- 1. Shop order number
- 2. Model designation
- 3. Engine serial number
- 4. Control parts list

### 2. FUEL PUMP DATA PLATE



- 1. Control parts list number
- 2. Calibration code
- 3. Serial number
- 4. Top level number
- 5. Fuel pump assembly number

**This catalog was compiled by Garry Wilber in Parts Communications.**

## Customer Service Information

This standard Parts Catalog contains parts information for the following Cummins Engine Model(s):

KT19C

D192027CX02

CPL 444

S.O. 68887

Certain basic engine components have been matched to give optimum performance to your engine. The part numbers listed in this catalog for these components are for a standard engine configuration. When ordering any of the Control Parts List (CPL) components listed below, please order by part description and engine serial number. Reference to the CPL number stamped on the engine data (name) plate will also help identify the proper service parts for your engine.

### Control Parts List (CPL) Components

Camshaft  
Cylinder Head  
Injector

Page 61  
Page 69  
Page 63

Piston, engine  
Turbocharger  
Exhaust, manifold

Page 60  
Page 65  
Page 75

### USER INFORMATION

- . Parts numbers appearing in ( ) are for identification purposes only and should not be used when ordering service replacement parts.
- . The reference numbers appearing on the art pages is for publication use only.
- . Assembly content is shown by part number indentation.
- . Options are engineered production part groupings, specifically used for compiling engine orders.
- . Option numbers are for reference only and are not sold for service.
- . Use assembly and not option content to determine service parts replacement.

### ALWAYS SPECIFY ENGINE MODEL AND SERIAL NUMBER WHEN ORDERING PARTS FROM THIS CATALOG

Engine Model \_\_\_\_\_ Engine Serial No. \_\_\_\_\_

MFG Make \_\_\_\_\_ Model \_\_\_\_\_ Chassis No. \_\_\_\_\_

Fuel Pump Assembly No. \_\_\_\_\_ Injector No. \_\_\_\_\_

Belt, Fan \_\_\_\_\_ Belt, Water Pump \_\_\_\_\_ Belt, Gen. \_\_\_\_\_

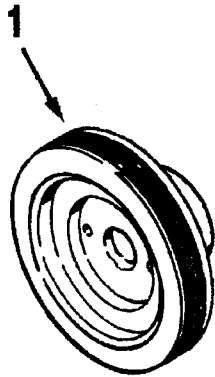
Element, Fuel Filter \_\_\_\_\_ Full Flow Lub. Filter \_\_\_\_\_

Air Cleaner \_\_\_\_\_ By-Pass Lub. Filter \_\_\_\_\_

Special Equipment  
\_\_\_\_\_  
\_\_\_\_\_  
\_\_\_\_\_

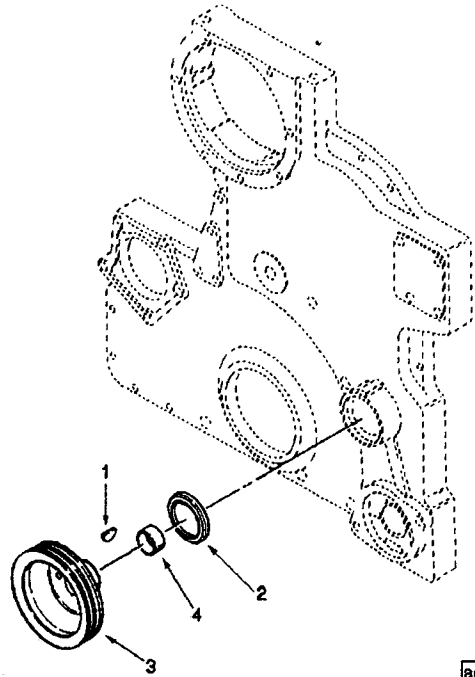
## Table of Contents

	Page No.		Page No.
Accessory Drive .....	3	Starter Mounting .....	71
Accessory Drive Pulley .....	2	Throttle Lever .....	81
Alternator Mounting .....	25	Turbocharger .....	65
Breather Location .....	21	Turbocharger Mounting .....	76
Cam Follower .....	15	Vibration Damper .....	22
Camshaft And Gear .....	61	Water Inlet Connection .....	83
Camshaft Idler Gear .....	8	Water Manifold .....	85
Corrosion Resistor .....	82	Water Outlet Connection .....	86
Cover Plate .....	47	Water Pump .....	89
Crankshaft & Main Bearings .....	11	Option Number Index .....	A-1
Cylinder Block .....	5, 7	Part Number Index.....	B-1
Cylinder Head .....	69		
Cylinder Head Mounting .....	67		
Dipstick .....	54		
Dipstick Tube .....	52		
Exhaust Elbow .....	90		
Exhaust Manifold/turbo Mtg .....	75		
Fan Drive Arrangement .....	30		
Flywheel .....	44		
Flywheel Housing .....	35		
Front Engine Support .....	27		
Fuel Filter .....	33		
Fuel Pump .....	39		
Fuel Pump Drive .....	38		
Fuel Shutoff Valve .....	43		
Fuel Tubing .....	41		
Gear Cover Mounting .....	29		
Hand Hole Covers .....	53		
Head Gasket Set - Single .....	92		
Injector .....	63		
Injector Mounting .....	18		
Intake Manifold .....	48, 49		
Intake Manifold Mounting .....	50		
Lifting Arrangement .....	70		
Lubricating Oil Pump .....	17		
Mag Pickup Location Plug .....	36		
Mounting .....	61		
Oil Cooler .....	79		
Oil Cooler Connection .....	80		
Oil Fill Location .....	37		
Oil Filter .....	51		
Oil Pan .....	57, 59		
Oversize Head Gasket .....	67		
Piston & Connecting Rod .....	60		
Pump Idler .....	8		
Rocker Levers .....	13		
Starter .....	72		



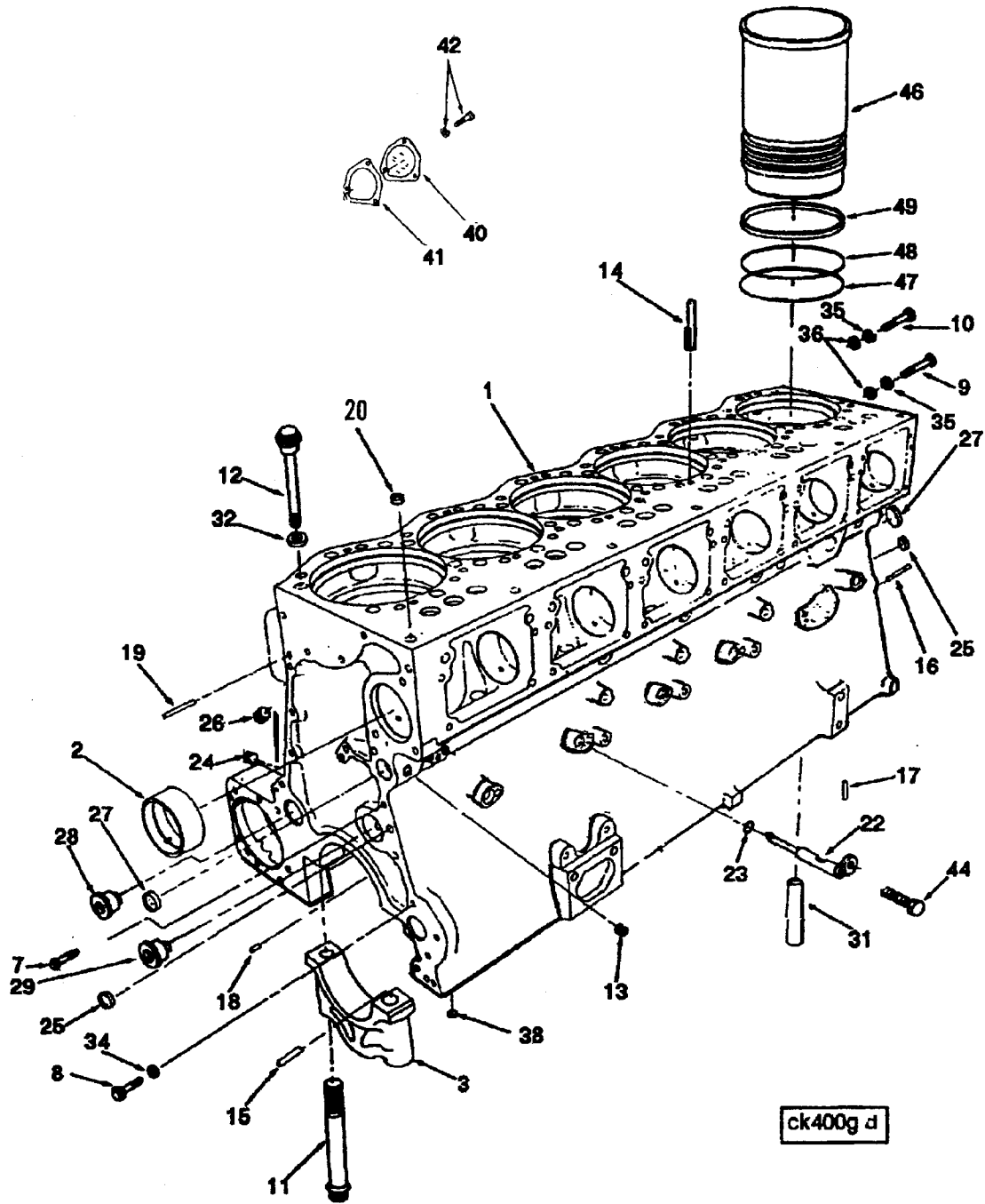
ad400gh

Ref No.	Part Number	Part Name	Req	Remarks
1	3002331	<p style="text-align: center;"><b>ACCESSORY DRIVE PULLEY OPTION AD4007</b></p> <p>Pulley, Alternator</p>	1	<p>Pulley to drive alternator. Right side of engine. For use with the one piece aluminum gear cover.</p>

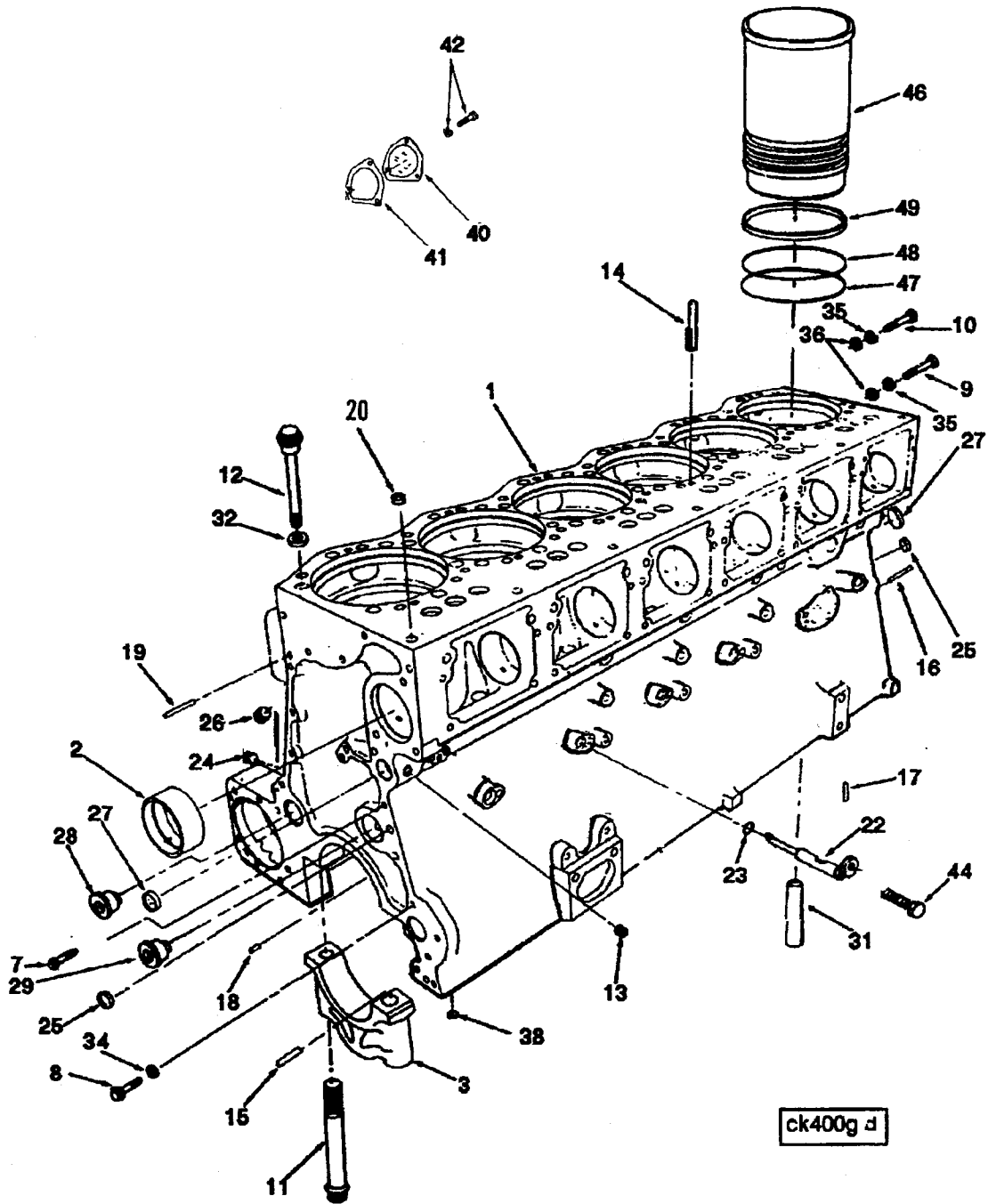


ad400gc

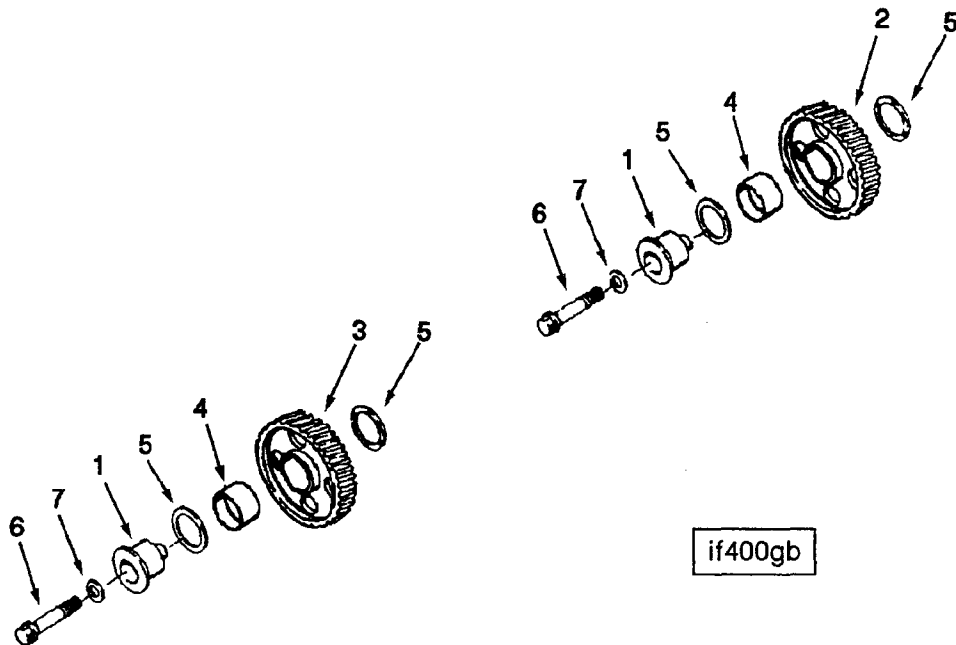
Ref No.	Part Number	Part Name	Req	Remarks
<b>ACCESSORY DRIVE OPTION AD4014</b>				
1	S-316	Key, Plain Woodruff	1	Accessory drive with two groove pulley to drive freon compressor. Fuel pump side of engine. Use with CF4004.
2	3200287	Seal, Keyway	1	
3	3014695	Pulley, Accessory Drive	1	
4	(3011826) 190397	Pulley, Accessory Drive Sleeve, Wear	1	



Ref No.	Part Number	Part Name	Req	Remarks
		<b>CYLINDER BLOCK OPTION BP4010</b>		Cylinder block less rear gear train for KT(A)-1150 C,L,P,G configurations. Use with EM4058 thru EM4065. Gear cover plate design.
	3060545	Block, Cylinder	1	
1	(3045960)	Block, Cylinder	1	
2	3002834	Bushing	7	
3	205021	Cap, Main Bearing	4	No. 2, 3, 4, & 5
3	205022	Cap, Main Bearing	1	No. 1
3	205023	Cap, Main Bearing	1	No. 6
3	205075	Cap, Main Bearing	1	No. 7
7	3014766	Screw, Captive Washer Cap	9	3/8 - 16 x 1 inch
8	191772	Screw, Twelve Point Cap	2	3/8 - 16 x 1 1/4 inches
9	S-127-C	Screw, Hexagon Head Cap	10	5/8 - 11 x 1 3/4 inches
10	S-103-A	Screw, Hexagon Head Cap	2	5/8 - 11 x 2 inches
11	3025482	Screw, Twelve Point Cap	14	1 - 14 x 7 13/16 inches
12	3032633	Screw, Twelve Point Cap	36	3/4 - 16 x 7 29/32 inches
13	3025460	Plug, Pipe	1	1/8 inch
14	68445	Pin, Groove	12	
15	60408-L	Dowel, Pin	1	
16	9226	Dowel, Flywheel Hsg	2	
17	67211	Dowel, Rear Main Bearing	2	#6 main bearing
18	124921	Dowel	2	Crankshaft thrust bearing
19	205366	Dowel, Diamond	1	
20	3007632	Plug, Expansion	7	
22	3007517	Nozzle, Piston Cooling	6	
23	3015067	Seal, O Ring	6	
24	3025460	Plug, Pipe	1	1/8 inch
25	147416	Plug, Expansion	2	Piston cooling rifle
26	3008470	Plug, Pipe	1	1 inch
27	175830	Plug, Expansion	2	Main oil rifle
28	3202114	Shaft, Idler	1	Water pump
29	3202114	Shaft, Idler	1	Camshaft
31	205298	Tube, Lub Oil Transfer	1	
32	205059	Washer, Plain	36	
34	127362	Washer, Plain	2	
35	S-603	Washer, Lock	12	
36	S-658	Washer, Plain	12	
38	3025458	Plug, Pipe	8	1/8 inch
44	3033822	Screw, Captive Washer Cap	6	5/16 - 24 x 3/4 inch
40	207373	Cover, Camshaft	1	
41	3040722	Gasket, Camshaft Cover	1	
42	3014766	Screw, Captive Washer Cap	3	3/8 - 16 x 1 inch



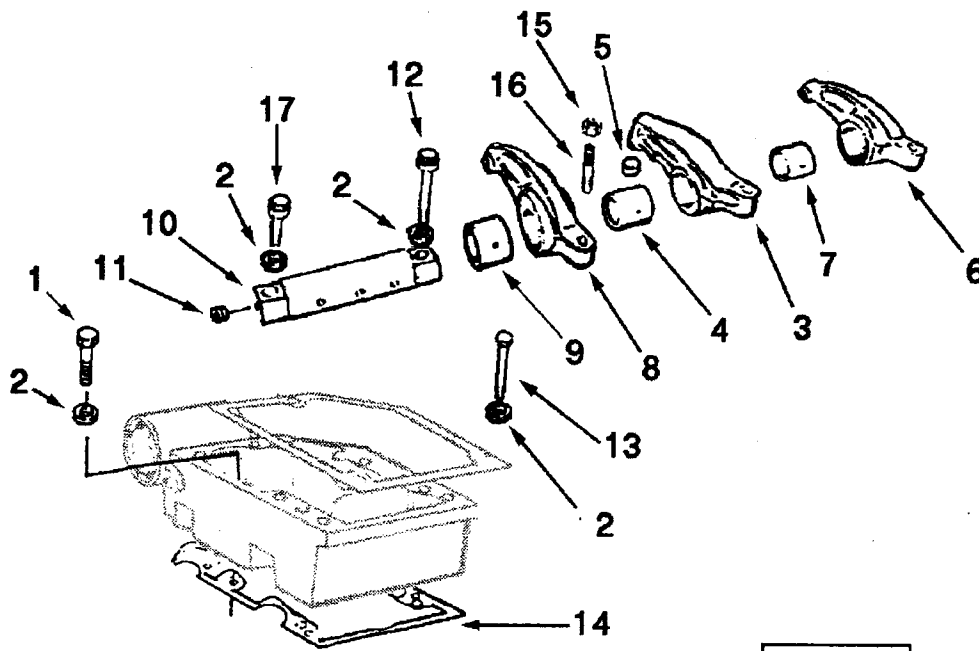
Ref No.	Part Number	Part Name	Req	Remarks
		<b>CYLINDER BLOCK OPTION BP4010</b>		Cylinder block less rear gear train for KT(A)-1150 C,L,P,G configurations. Use with EM4058 thru EM4065. Gear cover plate design.
		<b>CYLINDER LINER</b>		
	3028434	Kit, Liner	6	
46	(3202240)	Liner, Cylinder	1	
47	3014668	Seal, D Ring	1	Bottom (black)
48	3011076	Seal, D Ring	1	Top (red)
49	205115	Seal, Crevice	1	
		<b>OVERSIZED LINERS</b>		
	3028430	Kit, Liner	A/R	.020 Inch oversize
	3028431	Kit, Liner	A/R	.040 Inch oversize
	3028432	Kit, Liner	A/R	.060 Inch oversize
	3024726	Kit, Liner	A/R	.083 Inch oversize
	3028433	Kit, Liner	A/R	.095 Inch oversize
		<b>LINER SHIMS</b>		
	3014226	Shim	A/R	.007 Inch
	3014227	Shim	A/R	.008 Inch
	3014228	Shim	A/R	.009 Inch
	3014229	Shim	A/R	.020 Inch
	3014230	Shim	A/R	.031 Inch



Ref No.	Part Number	Part Name	Req	Remarks
<b>CAMSHAFT IDLER GEAR OPTION BP4010</b>				
1	3202114	Shaft, Idler	1	
	3004684	Gear, Bushing Cam Idler	1	
2	(3004599)	Gear, Idler	1	
4	3004686	Bushing	1	
5	130083	Bearing, Thrust	2	
6	207527	Screw, Twelve Point Cap	1	5/8 - 18 x 3 inches
7	3200772	Washer, Plain	1	
<b>PUMP IDLER OPTION BP4010</b>				
1	3202114	Shaft, Idler	1	
	3004685	Gear, Bushing Wtr Pump Id	1	
3	(3004680)	Gear, Idler	1	
4	3004686	Bushing	1	
5	130083	Bearing, Thrust	2	
6	207527	Screw, Twelve Point Cap	1	5/8 - 18 x 3 inches
7	3200772	Washer, Plain	1	

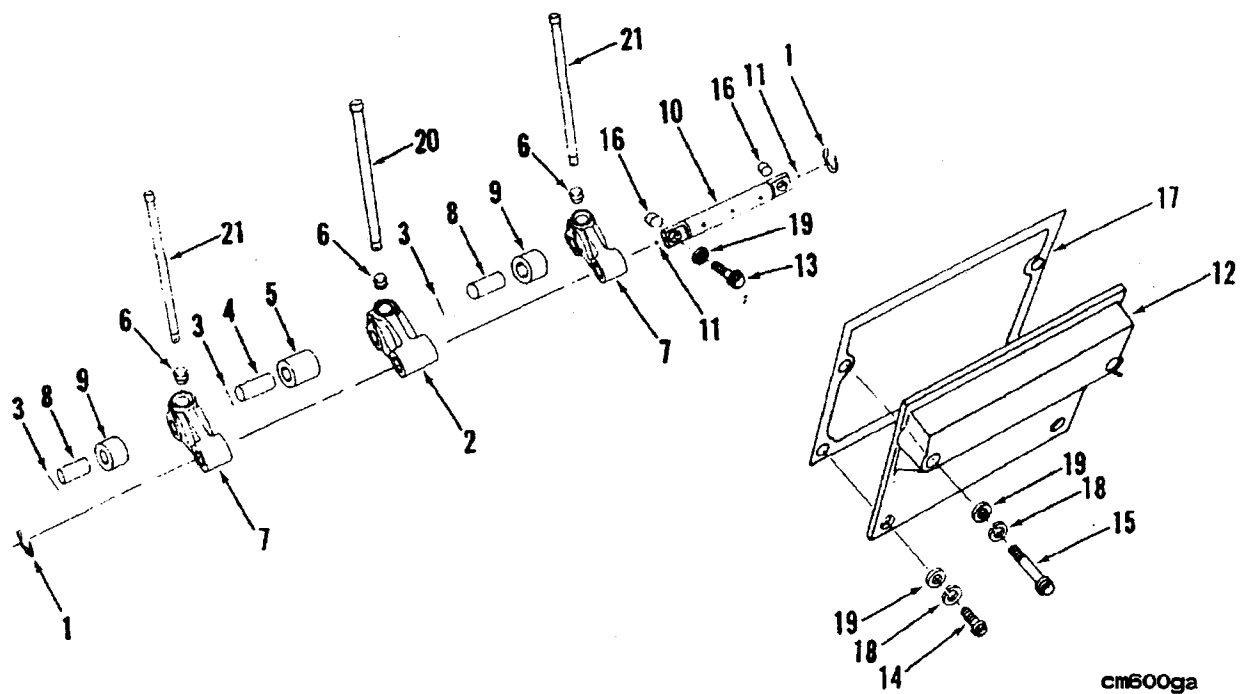


Ref No.	Part Number	Part Name	Req	Remarks
<b>CRANKSHAFT &amp; MAIN BEARINGS</b>				
<b>OPTION BP4010</b>				
	3005357	Crankshaft	1	
1	3201082	Crankshaft, Engine	1	
2	207259	Gear, Crankshaft	1	
3	206904	Key, Woodruff	1	
	AR12270	Shell, Main Bearing	1	Standard
4	205140	Bearing, Main	5	No. 2, 3, 4, 5, & 6 - Upper
5	205150	Bearing, Main	5	No. 2, 3, 4, 5, & 6 - Lower
6	205160	Bearing, Main	2	No. 1 & 7 - Lower
7	205170	Bearing, Main	2	No. 1 & 7 - Upper
9	205112	Bearing, Thrust	4	
	AR12271	Shell, Main Bearing	A/R	.010 Inch Oversize
4	205141	Bearing, Main	A/R	No. 2, 3, 4, 5, & 6 - Upper
5	205151	Bearing, Main	A/R	No. 2, 3, 4, 5, & 6 - Lower
6	205161	Bearing, Main	A/R	No. 1 & 7 - Lower
7	205171	Bearing, Main	A/R	No. 1 & 7 - Upper
9	205112	Bearing, Thrust	A/R	
	AR12272	Shell, Main Bearing	A/R	.020 Inch Oversize
4	205142	Bearing, Main	A/R	No. 2, 3, 4, 5, & 6 - Upper
5	205152	Bearing, Main	A/R	No. 2, 3, 4, 5, & 6 - Lower
6	205162	Bearing, Main	A/R	No. 1 & 7 - Lower
7	205172	Bearing, Main	A/R	No. 1 & 7 - Upper
9	205112	Bearing, Thrust	A/R	
	AR12273	Shell, Main Bearing	A/R	.030 Inch Oversize
4	205143	Bearing, Main	A/R	No. 2, 3, 4, 5, & 6 - Upper
5	205153	Bearing, Main	A/R	No. 2, 3, 4, 5, & 6 - Lower
6	205163	Bearing, Main	A/R	No. 1 & 7 - Lower
7	205173	Bearing, Main	A/R	No. 1 & 7 - Upper
9	205112	Bearing, Thrust	A/R	
<b>THRUST RINGS - OVERSIZE</b>				
9	3001196	Bearing, Thrust	A/R	.010 Inch Oversize
9	3001197	Bearing, Thrust	A/R	.020 Inch Oversize



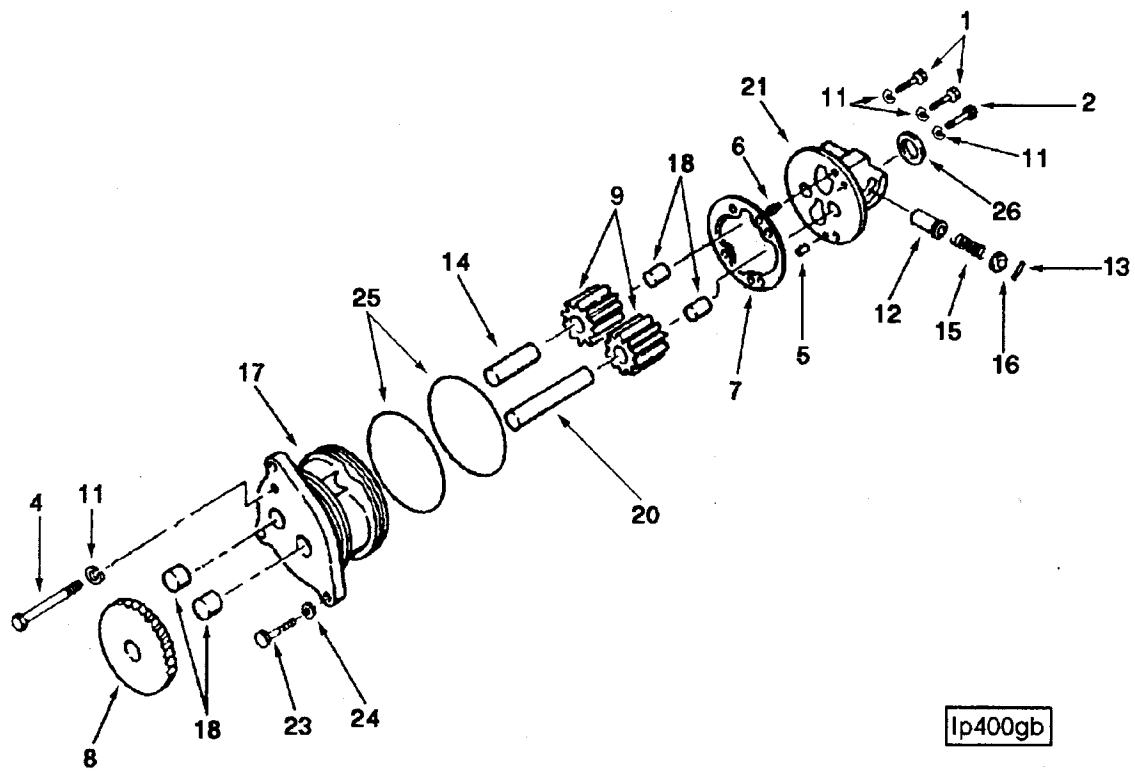
rh400gf

Ref No.	Part Number	Part Name	Req	Remarks
<b>ROCKER LEVERS</b>				
<b>OPTION BP4010</b>				
1	S-125	Screw, Hexagon Head Cap	6	1/2 - 13 x 2 inches
2	205128	Washer, Plain	48	
	3053478	Lever, Rocker	6	
3	(3049437)	Lever, Rocker	1	
4	207226	Bushing	1	
5	194037	Socket, Rocker Lever	1	
	3053476	Lever, Rocker	6	
6	(3049438)	Lever, Rocker	1	
7	207344	Bushing	1	
	208084	Rivet	1	
	3053477	Lever, Rocker	6	
8	(3049432)	Lever, Rocker	1	
9	207344	Bushing	1	
	208084	Rivet	1	
	3176773	Shaft, Rocker Lever	6	
10	(3176875)	Shaft, Rocker Lever	1	
11	203933	Plug, Expansion	1	
12	205394	Screw, Twelve Point Cap	6	1/2 - 13 x 4 1/2 inches
13	108602	Screw, Hexagon Head Cap	30	1/2 - 13 x 3 3/4 inches
14	3201517	Gasket, Rkr Lever Housing	6	
15	S-212	Nut, Regular Hexagon	18	
16	168306	Screw, Slotted Set	18	1/2 - 20 x 2 inches
17	205393	Screw, Twelve Point Cap	6	1/2 - 13 x 2 inches

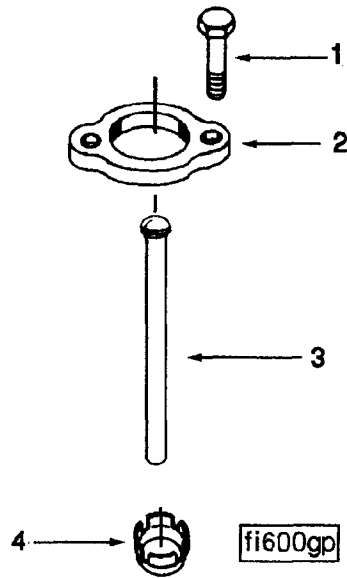


cm600ga

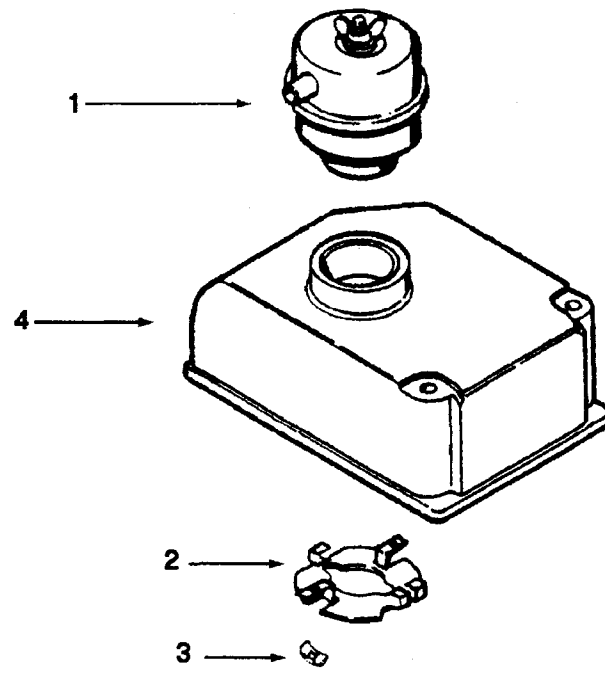
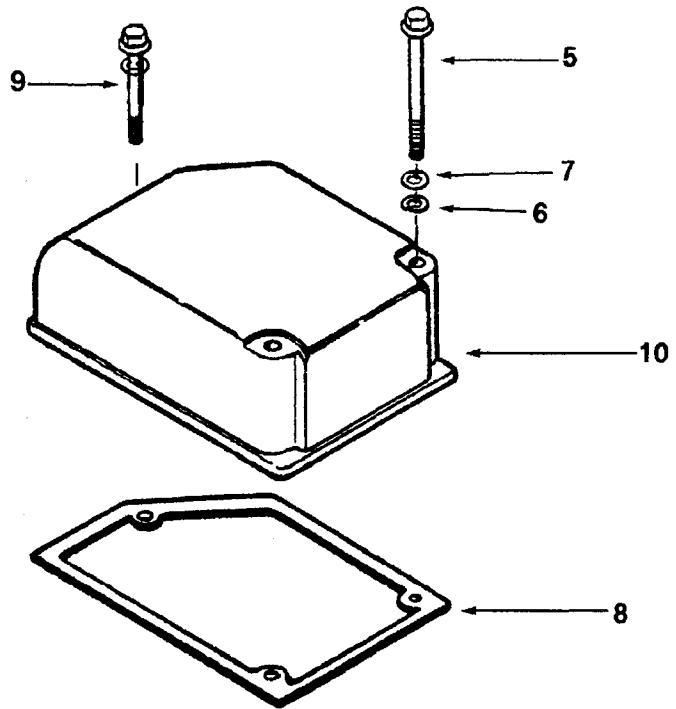
Ref No.	Part Number	Part Name	Req	Remarks
<b>CAM FOLLOWER</b>				
<b>OPTION BP4010</b>				
1	205439	Ring, Retaining	12	
	3039163	Lever, Cam Follower	6	Injector
2	(206231)	Lever, Cam Follower	1	
3	205438	Lockwire, Cam Roller Pin	1	
4	205068	Pin, Cam Follower Roller	1	
5	3016825	Roller, Cam Follower	1	
6	213559	Socket, Cam Follower	1	
	3039164	Lever, Cam Follower	12	Valves
3	205438	Lockwire, Cam Roller Pin	1	
6	213559	Socket, Cam Follower	1	
7	(205069)	Lever, Cam Follower	1	
8	205071	Pin, Cam Follower Roller	1	
9	3016826	Roller, Cam Follower	1	
10	AR10626	Shaft, Cam Follower	6	
	205227	Plug, Expansion	2	
	205301	Shaft, Cam Follower	1	
12	3009631	Cover, Camshaft	4	
<b>MOUNTING PARTS</b>				
13	3002886	Screw, Cam Follower Shaft	12	3/8 - 16 x 1.3 inch, special
14	3040838	Screw, Captive Washer Cap	12	3/8 - 16 x 1 inch
15	3040837	Screw, Captive Washer Cap	12	3/8 - 16 x 2 1/2 inches
16	3002993	Dowel, Ring	12	
17	3040721	Gasket, Cam Fol Housing	6	
18	S-604	Washer, Lock	24	
19	127362	Washer, Plain	36	
<b>PUSH RODS</b>				
20	3017961	Rod, Push	6	Injector
21	3057139	Rod, Push	12	Valves



Ref No.	Part Number	Part Name	Req	Remarks
		<b>LUBRICATING OIL PUMP OPTION BP4010</b>		For KT(A)-1150 C,L,P,G configurations less rear gear train.
	3047549	Pump, Lubricating Oil	1	
1	S-126	Screw, Hexagon Head Cap	2	3/8 - 16 x 2 1/2 inches
2	S-141	Screw, Hexagon Head Cap	1	3/8 - 16 x 2 3/4 inches
4	S-199-A	Screw, Hexagon Head Cap	1	3/8 - 16 x 4 inches
5	70760	Dowel, Pin	1	
6	107948	Dowel, Diamond	1	
7	205061	Gasket, Lub Oil Pump	1	
8	207252	Gear, Lubricating Oil Pump	1	
9	3049543	Gear, Lubricating Oil Pump	2	
11	S-604	Washer, Lock	4	
12	205080	Plunger, Prs Regulator	1	
13	205345	Pin, Roll	1	
14	205052	Shaft, Idler	1	
15	3062415	Spring, Compression	1	
16	3200934	Plug, Retainer	1	
17	205057	Body, Lubricating Oil Pump	1	
	(205049)	Body, Lubricating Oil Pump	1	
18	69521	Bushing	2	
20	205065	Shaft, Lub Pump Drive	1	
21	3047548	Cover, Lub Oil Pump	1	
	(3009955)	Cover, Lub Oil Pump	1	
		<b>MOUNTING PARTS</b>		
23	S-103-D	Screw, Hexagon Head Cap	3	3/8 - 16 x 1 inch
24	S-604	Washer, Lock	3	
25	205898	Seal, O Ring	2	
26	207135	Seal, Rectangular Ring	1	

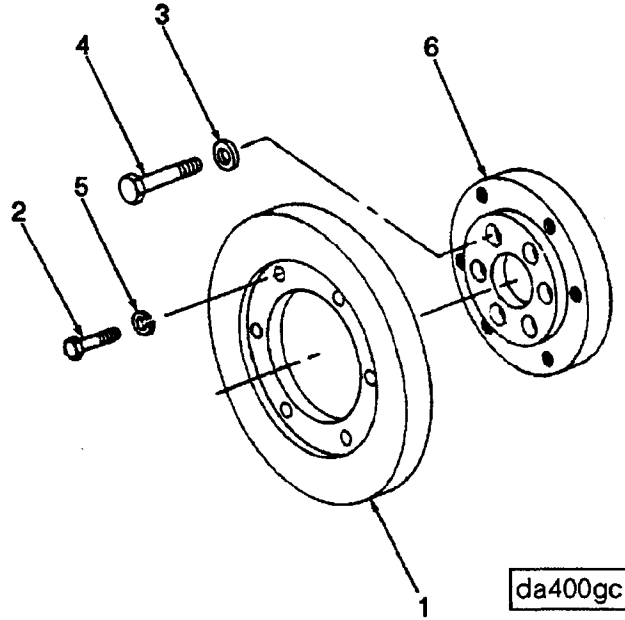


Ref No.	Part Number	Part Name	Req	Remarks
		<b>INJECTOR MOUNTING OPTION BP4010</b>		
1	3070961	Screw, Hexagon Head Cap	12	5/16 - 18 x 1 inch
2	3006696	Clamp, Injector	6	
3	205462	Link, Injector Plunger	6	
4	207244	Seal, Injector	6	
	3001658	Seal, Injector	A/R	.010 Inch O/S
	3001659	Seal, Injector	A/R	.020 Inch O/S
	3001660	Seal, Injector	A/R	.030 Inch O/S



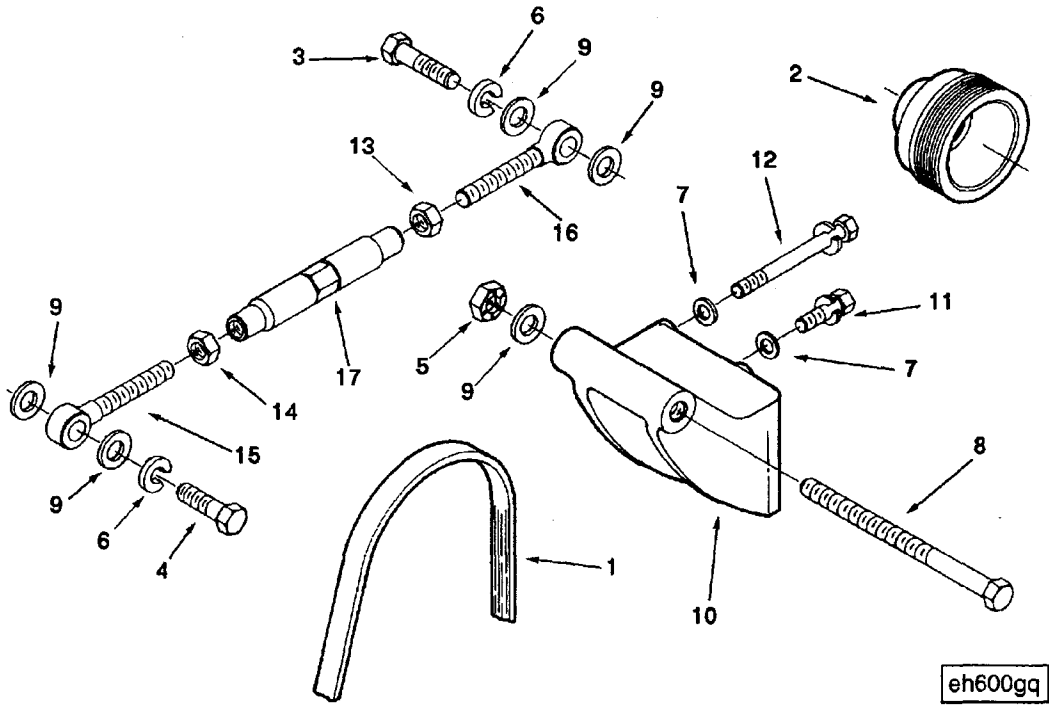
br400ga

Ref No.	Part Number	Part Name	Req	Remarks
<b>BREATHER LOCATION</b> <b>OPTION BR4002</b>				
				Crankcase breathers mounted on no.1, no.2 and no.5 valve covers.
1	156810	Breather, Crankcase	3	
2	219065	Baffle, Breather	3	
3	3000528	Nut, Spring	6	3/16
4	3010396	Cover, Rocker Lever	3	
5	3065950	Screw, Captive Washer Cap	12	3/8 - 16 x 4 1/2 inches
8	3040720	Gasket, Rocker Lever Cover	6	
9	3044413	Screw, Captive Washer Cap	6	3/8 - 16 x 2 inches
10	3010247	Cover, Valve	3	

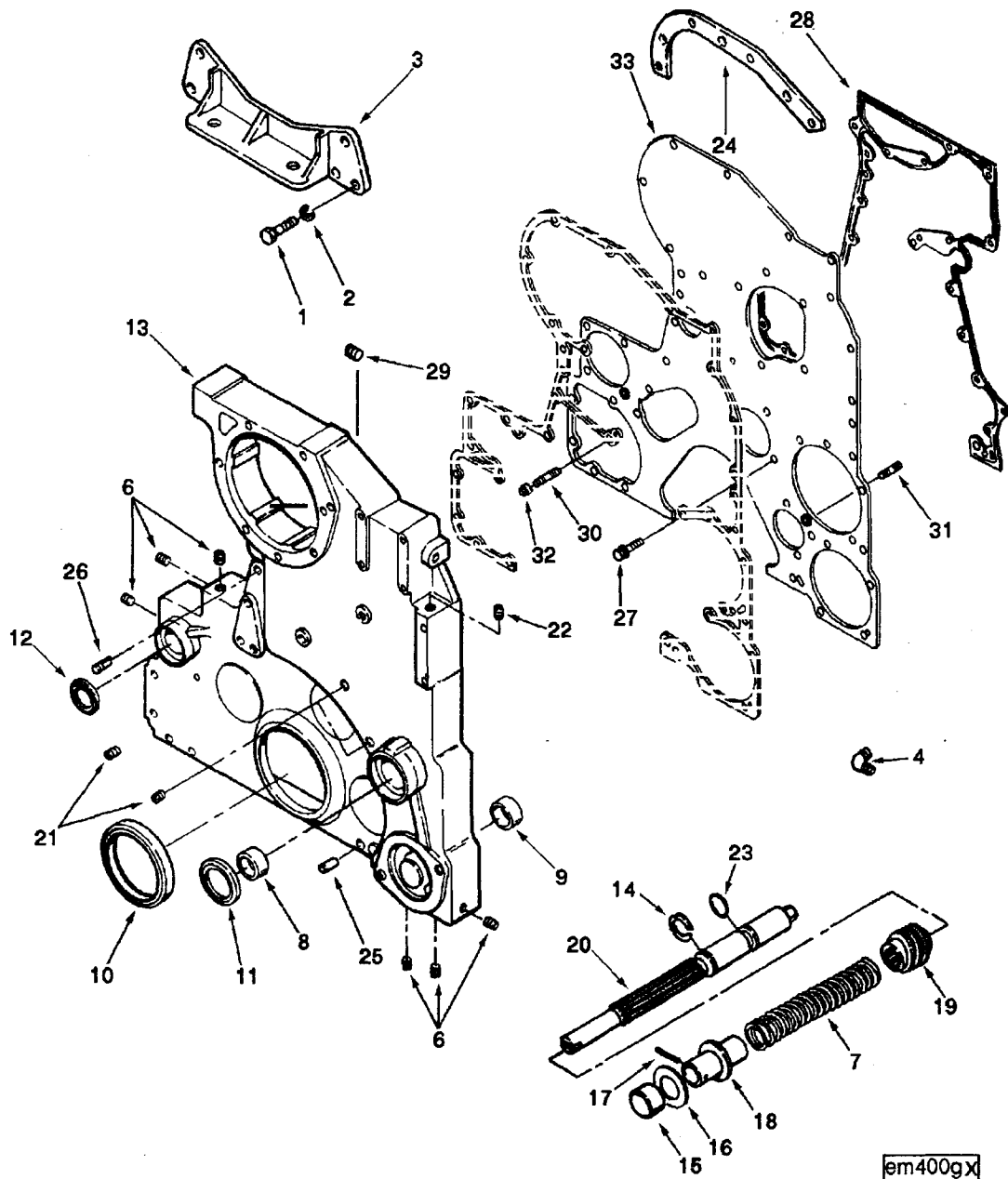


Ref No.	Part Number	Part Name	Req	Remarks
		<b>VIBRATION DAMPER OPTION DA4001</b>		Viscous type vibration damper.
1	217322	Damper, Vibration	1	
2	210029	Cap screw, Twelve Point	6	1/2 - 20 x 1 1/4 inch
3	205059	Washer, Plain	6	Hardened
4	206881	Cap screw, Twelve Point	6	3/4 - 16 x 4 inch
5	S-608	Washer, Lock	6	
6	3203694	Adapter, Crankshaft	1	

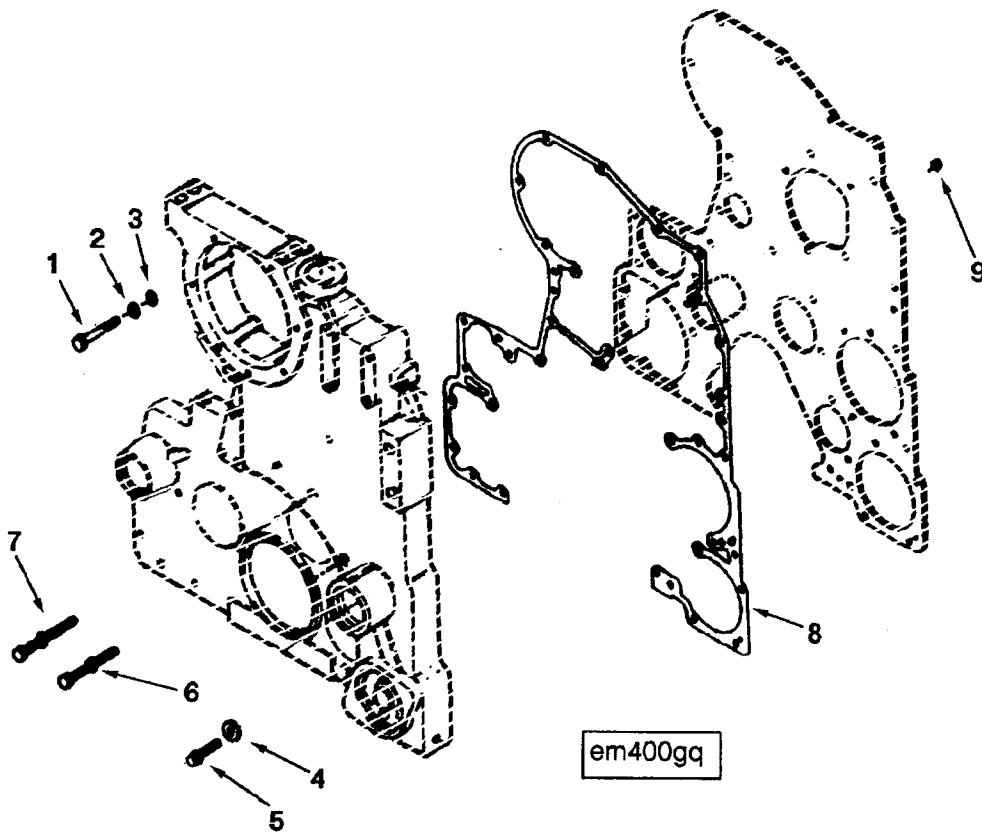




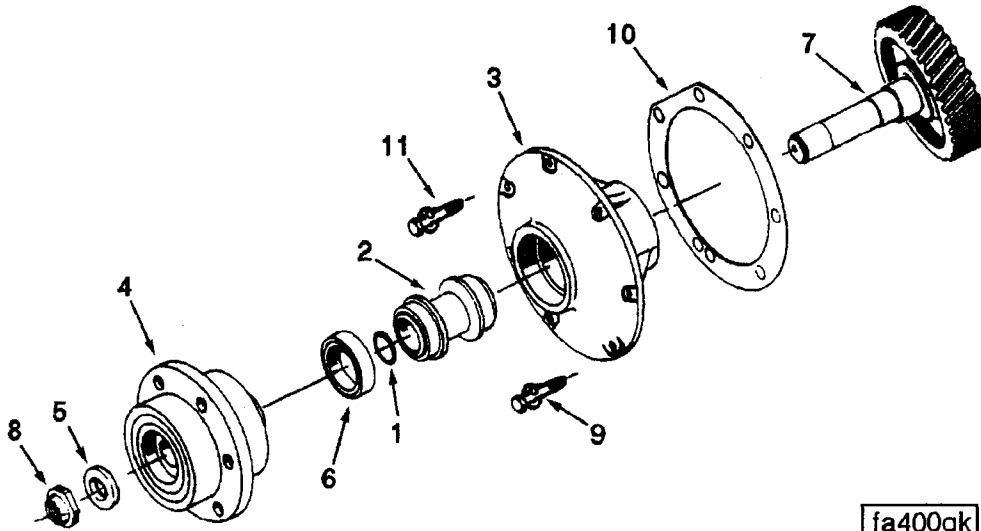
Ref No.	Part Number	Part Name	Req	Remarks
		<b>ALTERNATOR MOUNTING OPTION EE4026</b>		Mounting parts for Motorola alternators. Mounted in standard location and belt driven at 2.92 times engine speed. For gear driven fan drive arrangement or when no fan drive is specified. Includes bracket, link, belt, and 5 groove alternator pulley.
1	206996	Belt, V	2	
2	3066528	Pulley, Alternator	1	
3	S-106	Screw, Hexagon Head Cap	1	1/2 - 13 x 1 3/4 inches
4	S-113	Screw, Hexagon Head Cap	1	1/2 - 13 x 1 1/2 inches
5	70897	Nut, Lock	1	1/2 - 20
6	111445	Washer, Lock	2	
7	127362	Washer, Plain	4	
8	158829	Screw, Hexagon Head Cap	1	1/2 - 20 x 6 1/2 inches
9	203310	Washer, Plain	5	
10	3006774	Bracket, Alternator	1	
11	3010596	Screw, Captive Washer Cap	2	3/8 - 16 x 1 1/4 inches
12	3010597	Screw, Captive Washer Cap	2	3/8 - 16 x 3 3/4 inches
	3201188	Link, Adjusting	1	
13	S-253	Nut, Regular Hexagon Jam	1	1/2 - 20
14	206202	Nut, Jam	1	1/2 - 20
15	3201185	Link, Adjusting	1	
16	3201186	Link, Adjusting	1	
17	3201187	Link, Adjusting	1	



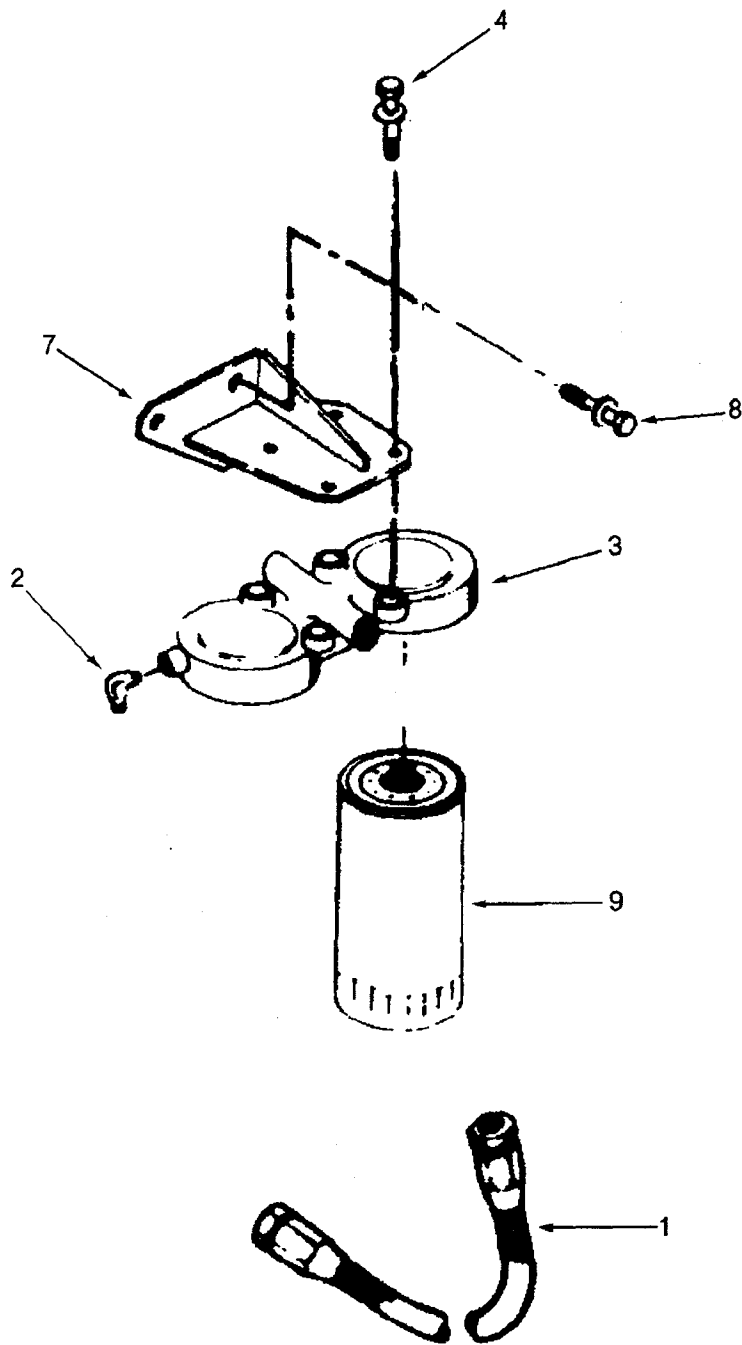
Ref No.	Part Number	Part Name	Req	Remarks
		<b>FRONT ENGINE SUPPORT OPTION EM4058</b>		Two bolt pad type front engine support with 51/64 inch diameter holes to accept the commonly used 3/4 inch diameter Lord mount. Includes aluminum gear cover without front out hydraulic pump drive provisions.
1	S-173-A	Screw, Hexagon Head Cap	6	5/8 - 11 x 2 1/4 inches
2	S-603	Washer, Lock	6	
3	206343	Support, Front Engine	1	
4	S-1040-A	Elbow, Male Adapter	1	
6	3025460	Plug, Pipe	6	
7	3009620	Spring, Engine Barring	1	
8	132770	Bushing	2	
9	205133	Bushing	1	
10	3016792	Seal, Oil	1	
11	3016788	Seal, Oil	1	
12	3016794	Seal, Oil	1	
13	3017318	Cover, Gear	1	
14	3015525	Ring, Retaining	1	
	3018914	Guide, Barring Shaft	1	
15	(3018909)	Bushing	1	
16	(3018910)	Bearing, Thrust	1	
17	(3018911)	Pin, Roll	1	
18	(3019154)	Guide, Barring Shaft	1	
19	3019152	Gear, Engine Barring	1	
20	3019153	Shaft, Barring	1	
21	3046202	Plug, Threaded	2	
22	3059831	Plug, Drive	1	
23	3201125	Seal, O Ring	1	
24	3200642	Plate, Clamping	1	
25	70645	Dowel, Pin	1	
26	102957	Dowel, Diamond	1	
27	3014766	Screw, Captive Washer Cap	12	3/8 - 16 x 1 inch
28	3037282	Gasket, Cover Plate	1	
29	S-965-E	Plug, Pipe	1	
30	206217	Stud	1	
31	206218	Stud	1	
32	3019961	Nut, Plug	2	3/8 - 16
33	3044523	Plate, Gear Cover	1	



Ref No.	Part Number	Part Name	Req	Remarks
		<b>GEAR COVER MOUNTING OPTION EM4703</b>		Mounting for aluminum gear cover without freon compressor.
1	S-199-B	Screw, Hexagon Head Cap	7	3/8 - 16 x 3 3/4 inches
2	S-602	Washer, Plain	7	
3	S-604	Washer, Lock	7	
4	127362	Washer, Plain	9	
5	205375	Screw, Twelve Point Cap	1	3/8 - 16 x 2 1/4 inches
6	3010596	Screw, Captive Washer Cap	3	3/8 - 16 x 1 1/4 inches
7	3012476	Screw, Captive Washer Cap	8	3/8 - 16 x 3 inches
8	3044762	Gasket, Gear Cover	1	
9	3201128	Nut, Regular Hexagon	4	3/8 - 16

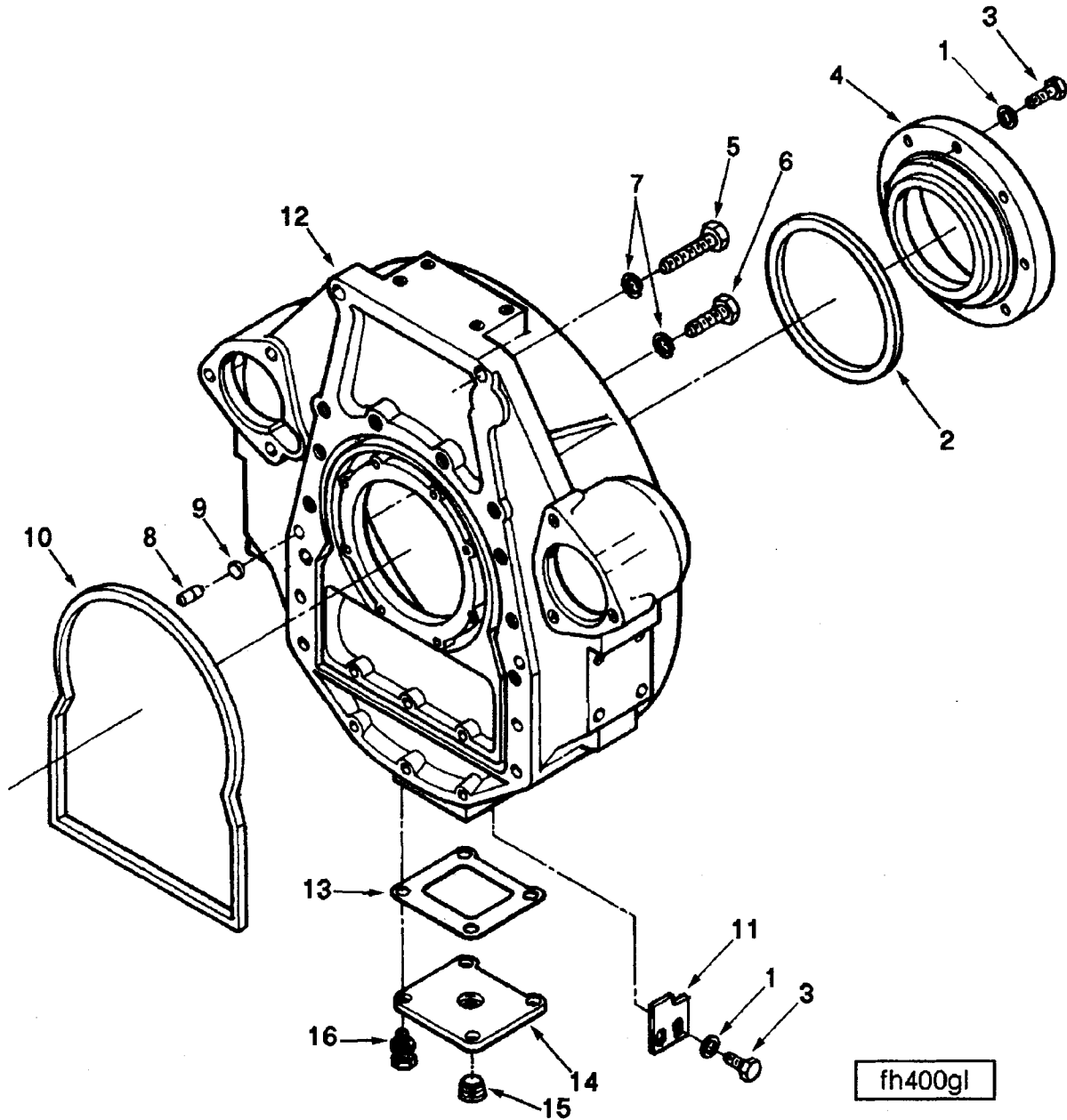


Ref No.	Part Number	Part Name	Req	Remarks
		<b>FAN DRIVE ARRANGEMENT OPTION FA4081</b>		
				Gear driven .84 to 1 drive ratio with 20.6" fan center & .28" to right of centerline of engine. Fan rotational inertia not to exceed 15.0 in-lb-sec squared.
	3201750	Hub, Fan	1	
1	145536	Seal, O Ring	1	
2	200384	Bearing, Roller	1	
3	207079	Support, Fan	1	
4	3001275	Hub, Fan	1	
5	3012467	Washer, Plain	1	
6	3016789	Seal, Oil	1	
7	3201749	Gear & Shaft	1	
8	3202206	Nut, Lock	1	
9	3040838	Screw, Captive Washer Cap	2	
10	3042612	Gasket, Fan Hub	1	
11	3042890	Screw, Captive Washer Cap	5	

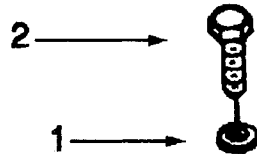


ff400go

Ref No.	Part Number	Part Name	Req	Remarks	
		<b>FUEL FILTER</b> <b>OPTION FF4001</b>		Dual spin-on fuel filters without check valve. Mounted between fuel pump and lube oil filter at same level as lube filter head. For use without air compressor.	
1	AS1003000SS	Hose	1		
2	129859	Elbow, Male Union	2		
3	212013	Head, Fuel Filter	1		
4	3010596	Screw, Captive Washer Cap	4		3/8 - 16 x 1 1/4 inches
7	3036027	Bracket, Filter	1		
8	3010595	Screw, Captive Washer Cap	4		3/8 - 16 x 1 inch
9	3315847	Filter, Fuel	2		

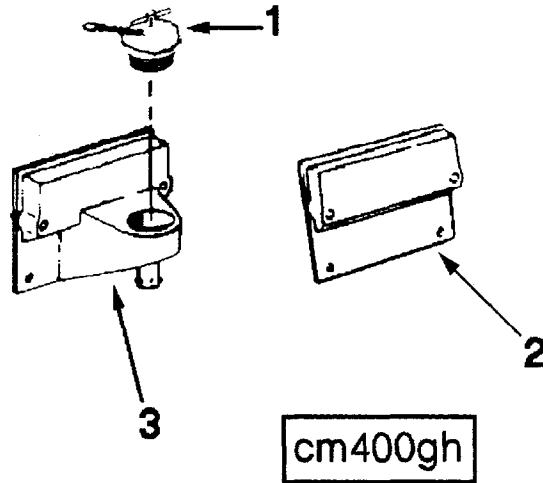


Ref No.	Part Number	Part Name	Req	Remarks
		<b>FLYWHEEL HOUSING OPTION FH4141</b>		SAE #1 cast iron flywheel housing for wet application and Twin Disc modulating clutch. Includes baffle. Has provisions for 3/4-16 magnetic pick-up and both sides machined for starter mounting. First used by IHC for the 560-B payloader.
1	S-631	Washer, Plain	10	
2	205247	Seal, O Ring	1	
3	205409	Screw, Hexagon Head Cap	10	1/4 - 20 x 5/8 inch
4	3005886	Seal, Oil	1	
5	S-103-A	Screw, Hexagon Head Cap	2	5/8 - 11 x 2 inches
6	S-116	Screw, Hexagon Head Cap	10	5/8 - 11 x 1 1/2 inches
7	S-603	Washer, Lock	12	
8	9226	Dowel, Flywheel Housing	2	
9	172648	Seal, Rectangular Ring	2	
10	205239	Seal, Rectangular Ring	1	
11	207374	Baffle, Oil	1	
12	3036805	Housing, Flywheel	1	
13	207376	Gasket, Oil Drain	1	
14	3006485	Cover, Flywheel Housing	1	
15	3008470	Plug, Pipe	1	
16	3010595	Screw, Captive Washer Cap	4	3/8 - 16 x 1 inch

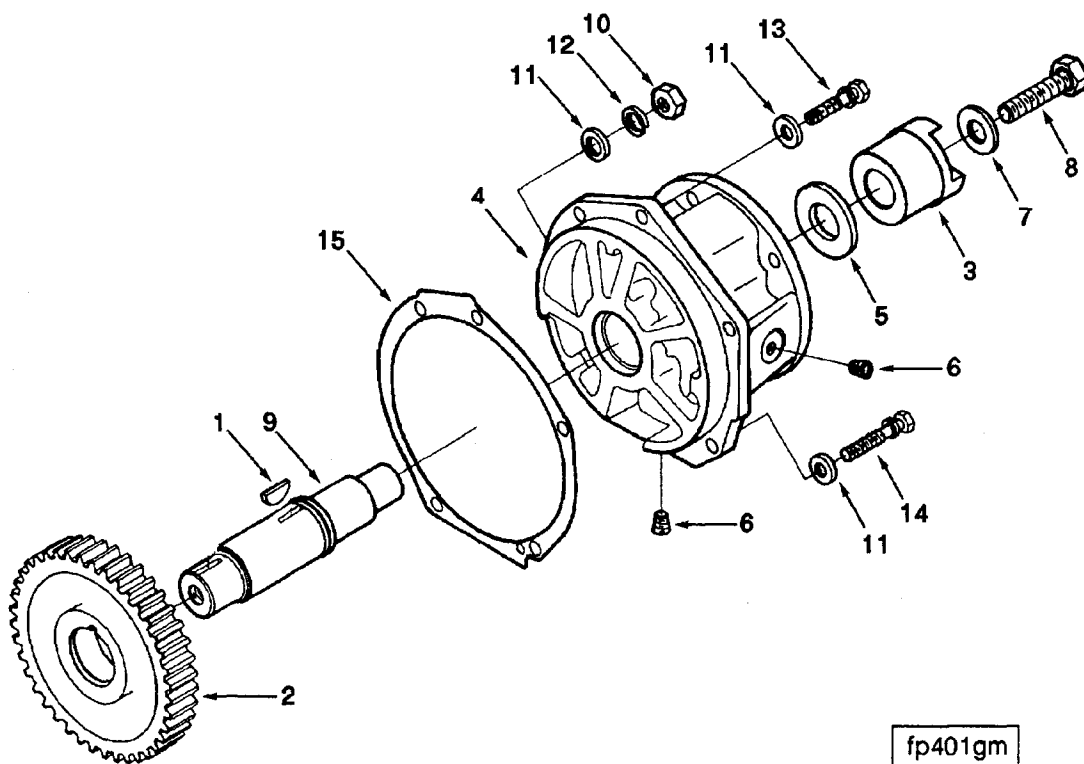


fh400gn

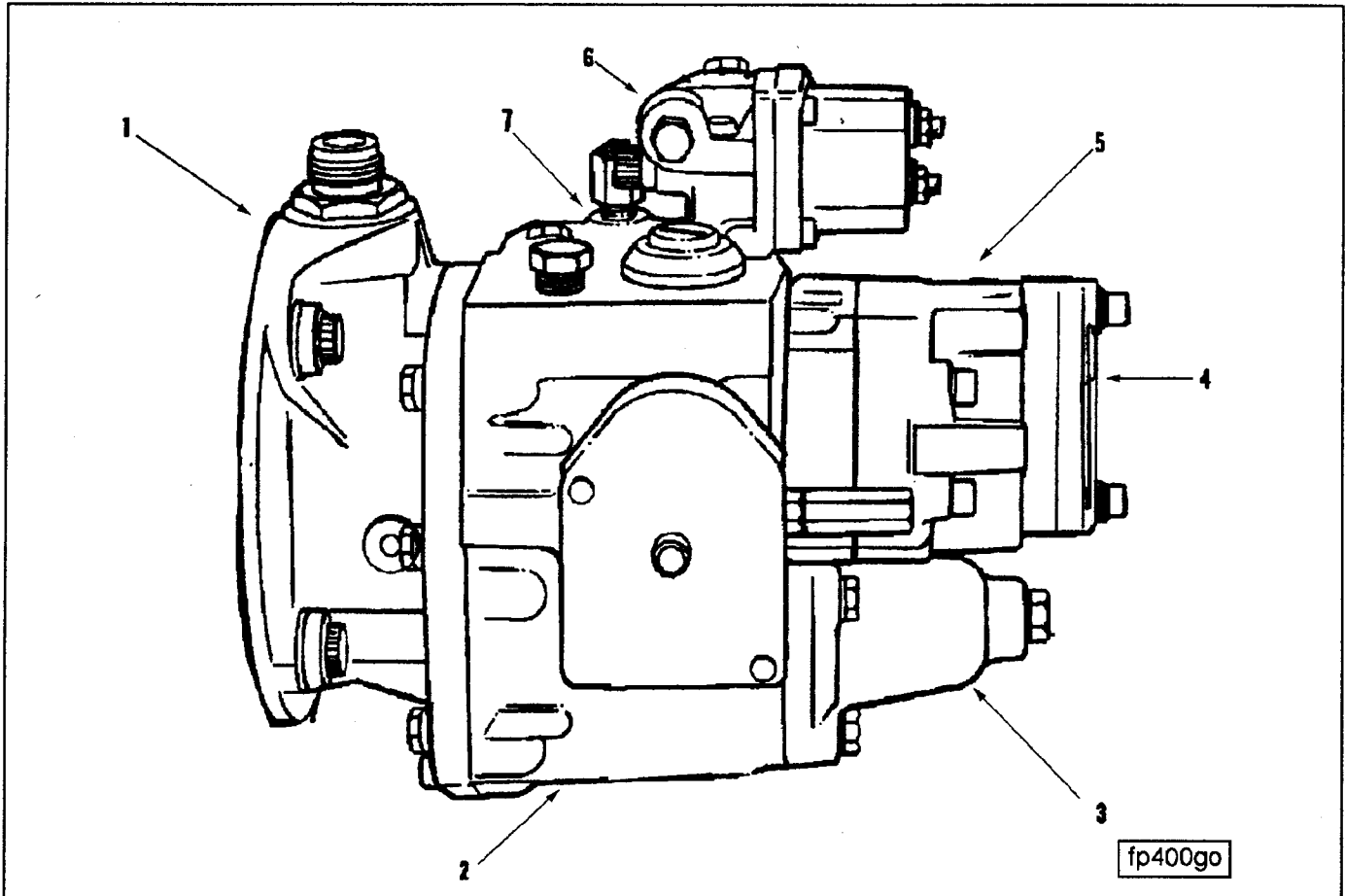
Ref No.	Part Number	Part Name	Req	Remarks
<b>MAG PICKUP LOCATION PLUG</b>				
<b>OPTION FH8713</b>				
				3/4-16 plug for the magnetic pick-up location in the flywheel housing. For use with both wet or dry flywheel housings. Required when Woodward 2301 electro- hydraulic governor, American Bosch governor, Cummins EFC governor, tachometer, or speed switch is not specified.
1	553856	Gasket, Drain Plug	1	
2	3201759	Screw, Hexagon Head Cap	1	3/4 - 16 x 1/2 inch



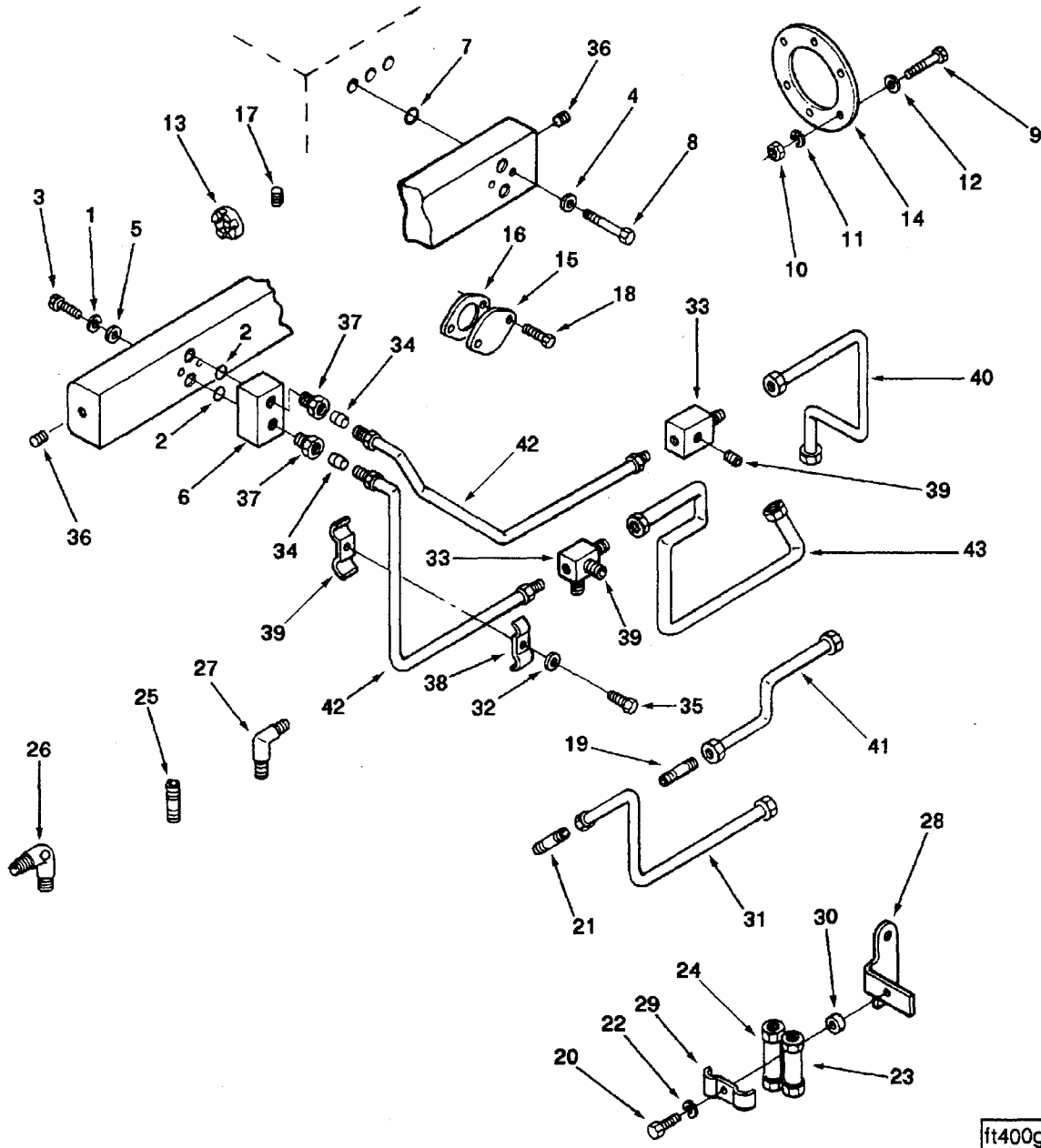
Ref No.	Part Number	Part Name	Req	Remarks
		<b>OIL FILL LOCATION OPTION FO4025</b>		
1	107981	Cap, Filler	1	Oil fill located on no. 4 cam follower cover.
2	3009631	Cover, Camshaft	1	
3	3200414	Bracket, Oil Tube	1	



Ref No.	Part Number	Part Name	Req	Remarks
		<b>FUEL PUMP DRIVE OPTION FP4815</b>		
				Fuel pump drive for use without air compressor.
	3016734	Drive Accessory	1	
1	S-316	Key, Plain Woodruff	1	
2	207253	Gear, Accessory Drive	1	
3	3000175	Hub, Jaw Coupling	1	
4	3009512	Support, Accessory Drive	1	
5	3014103	Washer, Plain	1	
6	3025460	Plug, Pipe	2	
7	3045136	Washer, Plain	1	
8	3045137	Screw, Hexagon Head Cap	1	1/2 - 20 x 2 inches
9	3045229	Shaft, Accessory Drive	1	
10	S-205	Nut, Regular Hexagon	1	3/8 - 24
11	S-602	Washer, Plain	5	
12	S-604	Washer, Lock	1	11/16
13	3033038	Screw, Captive Washer Cap	3	3/8 - 16 x 1.61 inches
14	3044413	Screw, Captive Washer Cap	1	3/8 - 16 x 2 inches
15	3201693	Gasket, Acc Drive Suppt.	1	



Ref No.	Part Number	Part Name	Req	Remarks
		<b>FUEL PUMP OPTION FP4959</b>		
				PTG/Non-VS/Non-AFC pump with 3/4" cooled gear pump. Use with 3024242 hardware kit. FCE-222
1	3060703	Assembly, Fuel Pump	1	
2	3030267	Fuel Pump Front Cover	1	
3	3060695	Fuel Pump Housing	1	
3	3021977	Idle Spring Pack	1	
4	AR12110	Damper, Fuel Pump & Mtg.	1	
5	3034217	Fuel Pump Gear Assembly	1	
6		Fuel Shutoff Valve	1	Reference FV8010
7	3028347	Barrel Plug Assembly	1	

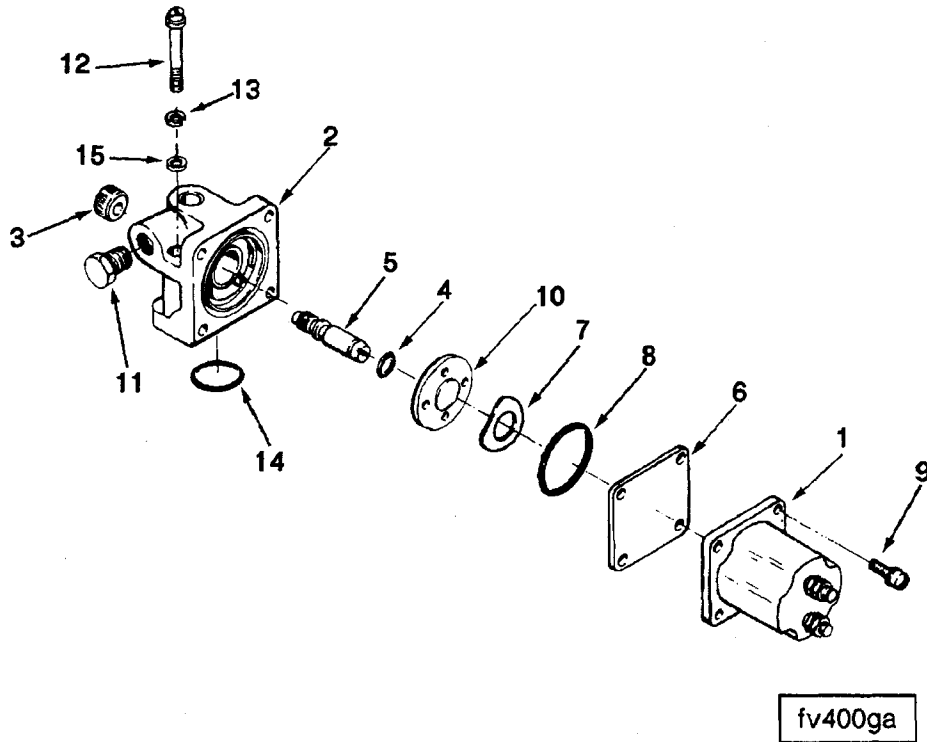


Group No. 06.03

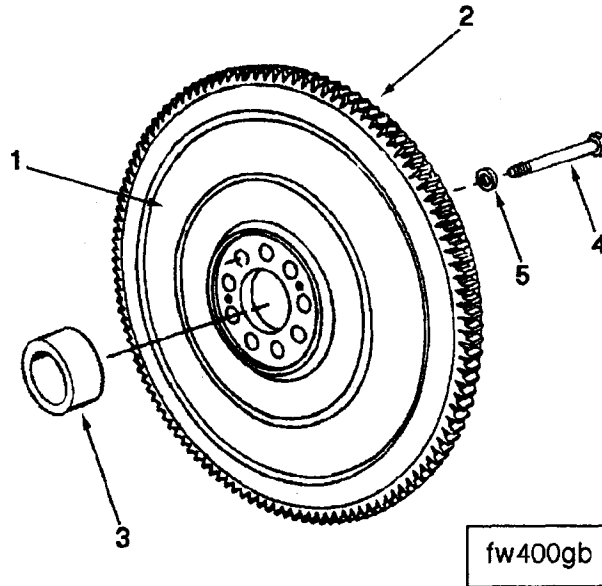
Fuel Tubing

Option No. FT40002

Ref No.	Part Number	Part Name	Req	Remarks
		<b>FUEL TUBING OPTION FT40002</b>		Fuel tubing for front fuel block with non-AFC/ Auto or VS fuel pump, gear pump cooling, check valves and with or without Cummins EFC governor. Without air compressor. May be used with standard or high pressure solenoid valve.
1	S-607	Washer, Lock	2	
2	100478	Seal, O Ring	2	
3	118226	Screw, Socket Head Cap	2	3/16 - 24 x 1 1/4 inches
4	127018	Washer, Plain	12	
5	128006	Washer, Plain	2	
6	207442	Connection, Fuel Block	1	
7	3001340	Seal, O Ring	12	
8	3001811	Screw, Twelve Point Cap	12	1/4 - 20 x 1 inch
9	S-140	Screw, Hexagon Head Cap	4	7/16 - 14 x 1 3/4 inches
10	S-217	Nut, Heavy Hexagon	4	
11	S-610	Washer, Lock	4	
12	69324	Washer, Plain	4	
13	3046200	Spider, Jaw Coupling	1	
14	3048341	Gasket, Fuel Pump	1	
15	207112	Flange, Weld	1	
16	207117	Gasket, Air Compressor	1	
17	3013786	Plug, Pipe	1	
18	3014766	Screw, Captive Washer Cap	2	3/8 - 16 x 1 inch
19	181213	Elbow, Plain Adapter	1	
20	S-156-B	Screw, Hexagon Head Cap	1	
21	68138	Connector, Male	1	
22	70704	Washer, Plain	1	
23	3028324	Valve, Check	1	
24	3028325	Valve, Check	1	
25	3032872	Union, Male	2	
26	3033023	Elbow, Male Union	1	
27	3033024	Elbow, Male Union	1	
28	3200069	Bracket, Check Valve	1	
29	3200070	Brkt Check Vlv	1	
30	3201614	Spacer, Mounting	1	
31	3200103	Tube, Fuel Supply	1	
32	127362	Washer, Plain	2	
33	176288	Tee, Female Adapter	2	
34	3002150	Seal, Ferrule	2	
35	3012478	Screw, Captive Washer Cap	2	3/8 - 16 x 3 1/2 inches
36	3025460	Plug, Pipe	2	
37	3031404	Connector, Tube	2	
38	3200386	Clamp, Tube	2	
39	3200387	Clamp, Tube	2	
40	3200405	Tube, Fuel Supply	1	
41	3200425	Tube, Fuel Drain	1	
42	3201115	Tube, Fuel Supply	2	
43	3201737	Tube, Fuel Drain	1	



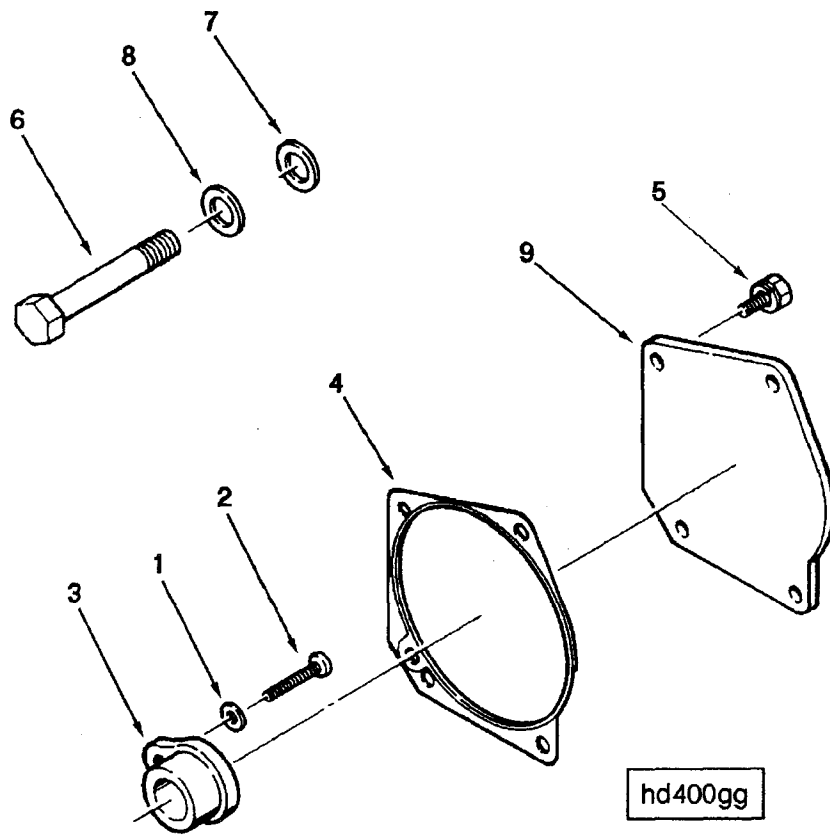
Ref No.	Part Number	Part Name	Req	Remarks
		<b>FUEL SHUTOFF VALVE OPTION FV8010</b>		24 Volt solenoid operated fuel shut-off valve. Two terminals. Mounted on fuel pump.
1	3035346	Valve, Shutoff	1	
	134076	Solenoid	1	
	129886	Body, Shutoff Valve	1	
2	129826	Body, Shutoff Valve	1	
3	129838	Knob	1	
4	3279794	Seal, O Ring	1	
5	3000266	Shaft, Shutoff Valve	1	
6	129839	Shield, Shutoff Valve	1	
7	129768	Spring, Valve	1	
8	129888	Seal, Rectangular Ring	1	
9	187556	Screw, Fillister Head	4	3/16 - 24 x 5/8 inch
10	3030970	Disc, Valve	1	
11	3025458	Plug, Pipe	1	
12	S-189-C	Screw, Socket Head Cap	2	1/4 - 20 x 1 3/4 inch
13	181466	Washer, Lock	2	
14	154087	Seal, Rectangular Ring	1	
15	67684	Washer, Plain	2	

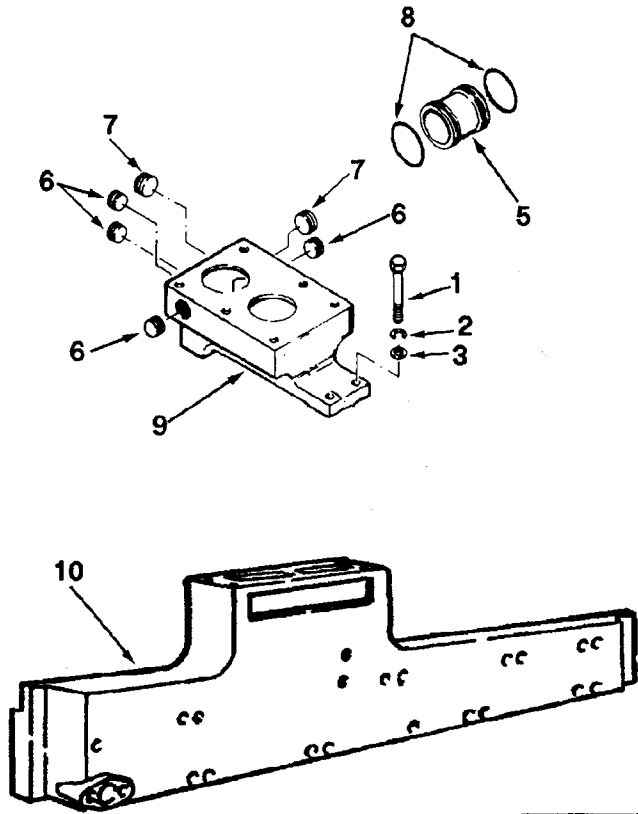


Ref No.	Part Number	Part Name	Req	Remarks
		<b>FLYWHEEL OPTION FW4104</b>		
				For Clark 8000 series converters.
1	3015866 (3062392)	Flywheel	1	
2	4851	Gear, Flywheel Ring	1	
3	206397	Bushing	1	
4	3251706	Screw, Head Locking	9	
5	200861	Washer, Plain	9	



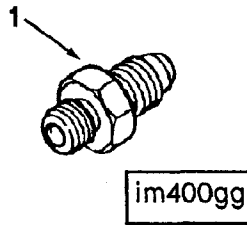
Ref No.	Part Number	Part Name	Req	Remarks
		COVER PLATE OPTION HD4067		Cover plate for rear of front gear cover when no hydraulic pump drive provision is specified.
1	S-604	Washer, Lock	1	
2	S-103-D	Screw, Hexagon Head Cap	1	3/8 - 16 x 1 1/4 inches
3	3003123	Insert, Pump Drive	1	
4	3007380	Gasket, Hydraulic Pump	1	
5	3012472	Screw, Captive Washer Cap	4	3/8 - 16 x 1 1/2 inches
6	S-123-A	Screw, Hexagon Head Cap	1	5/8 - 18 x 2 inches
7	3017346	Washer, Plain	1	
8	3200772	Washer, Plain	1	
9	3201609	Cover, Hyd Pump Flange	1	



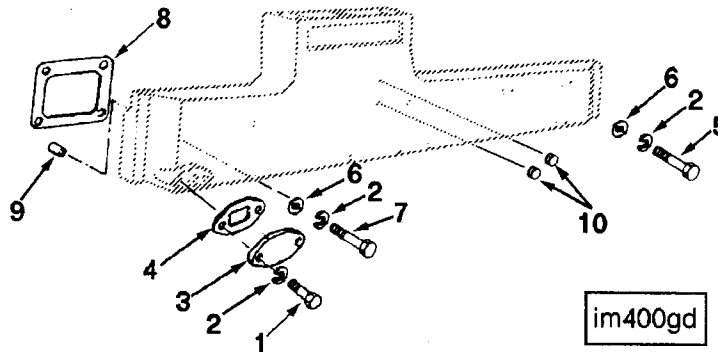


im400ga

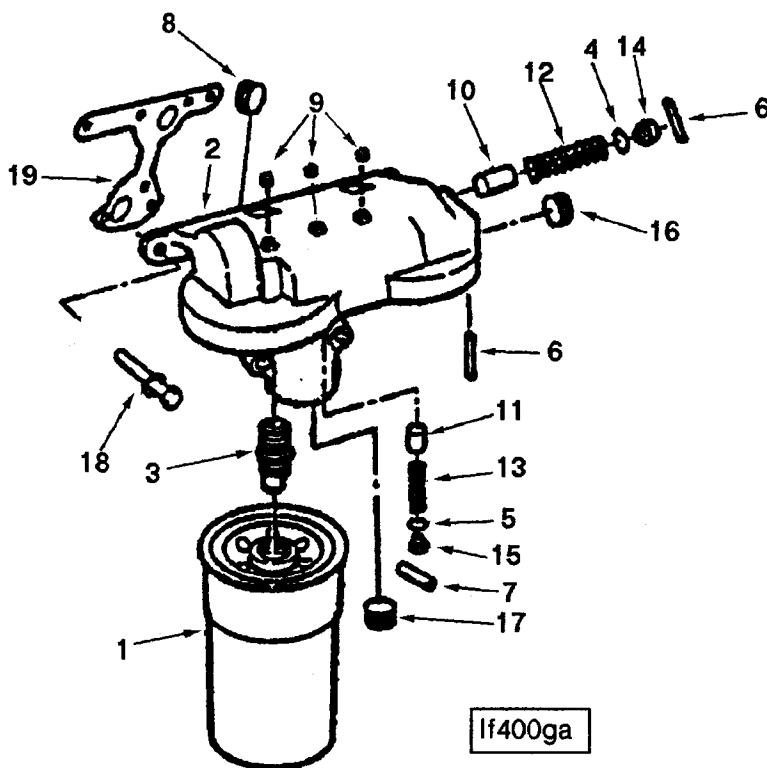
Ref No.	Part Number	Part Name	Req	Remarks
		<b>INTAKE MANIFOLD OPTION IM4005</b>		
1	S-141	Screw, Hexagon Head Cap	2	Non aftercooled intake manifold. For use on 1 piece gear cover engines.
2	S-604	Washer, Lock	2	
3	127362	Washer, Plain	2	
5	207378	Tube, Water Transfer	1	
6	3008468	Plug, Pipe	4	
7	3008469	Plug, Pipe	2	
8	3028291	Seal, O Ring	2	
9	3200630	Support, Thm Housing	1	
10	3202155	Manifold, Air Intake	1	



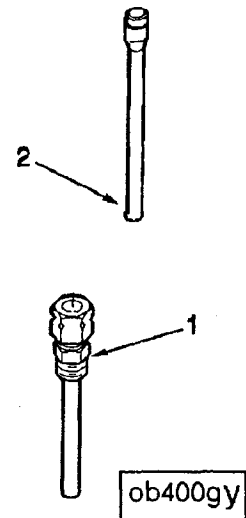
Ref No.	Part Number	Part Name	Req	Remarks
1	143950	INTAKE MANIFOLD OPTION IM4716  Connector, Male	1	Vent line plumbing for KT thermostat housing without expansion tank.



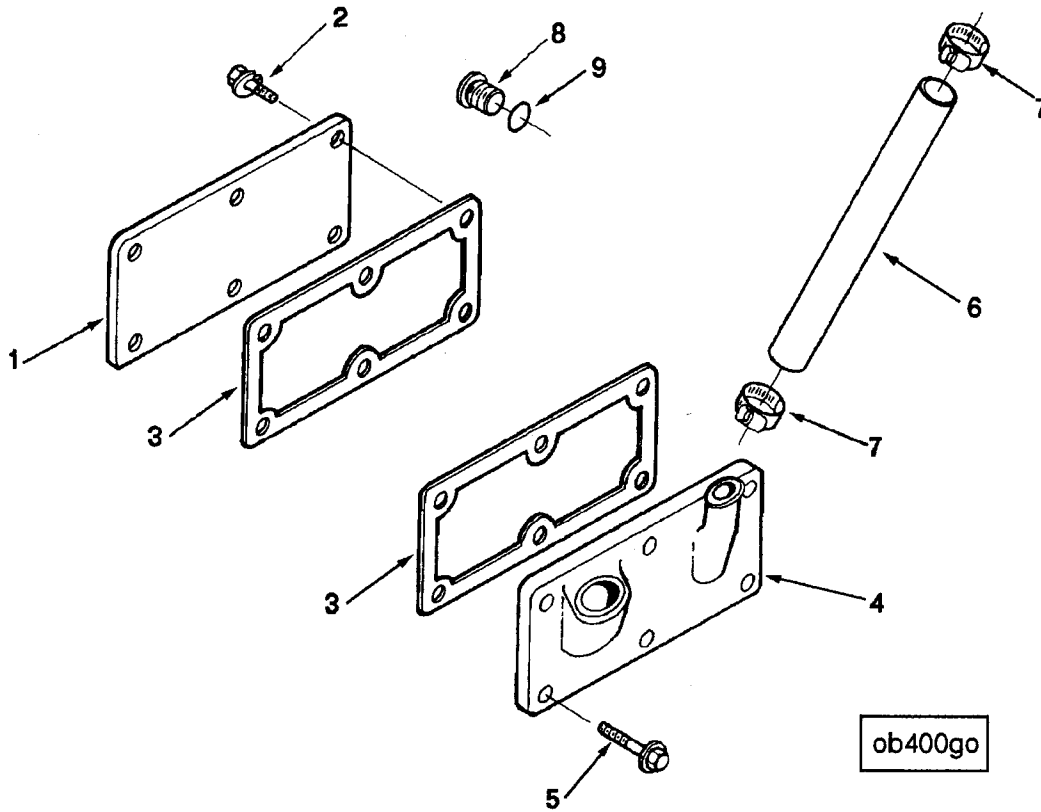
Ref No.	Part Number	Part Name	Req	Remarks
		<b>INTAKE MANIFOLD MOUNTING OPTION IM4719</b>		
1	S-103-D	Screw, Hexagon Head Cap	2	Mounting for non aftercooled intake manifold. For use with non AFC fuel pump. Without air compressor inlet plumbing and noise panels.
2	S-604	Washer, Lock	26	
3	3011693	Plate, Cover	1	
4	3201388	Gasket, Flange	1	
5	123204	Screw, Hexagon Head Cap	4	
6	127362	Washer, Plain	24	
7	137868	Screw, Hexagon Head Cap	20	
8	206277	Gasket, Intake Manifold	6	
9	3014304	Seal, Rectangular Ring	1	
10	3008466	Plug, Pipe	2	



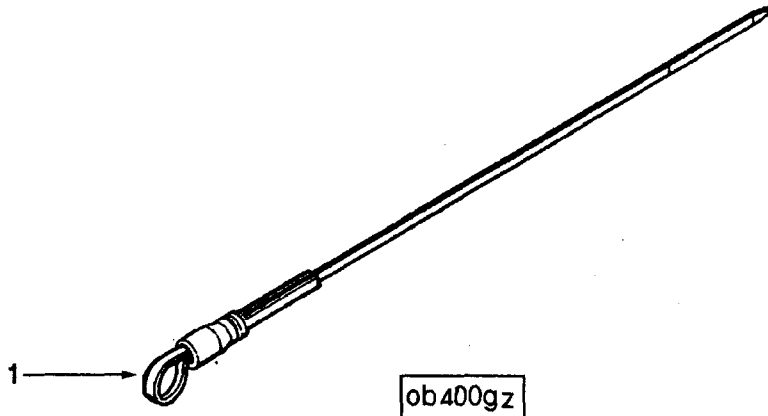
Ref No.	Part Number	Part Name	Req	Remarks
		<b>OIL FILTER OPTION LF4011</b>		
1	(3313287)	Element, Lub Oil Filter	2	Dual spin on oil filters mounted high and to the rear of block on fuel pump side.
2	3200965	Lube Oil Filter Head	1	
	(3202156)	Head, Lub Oil Filter	1	
3	3034578	Adapter, Filter Head	2	
4	3029820	Seal, O Ring	1	
5	3201125	Seal, O Ring	1	
6	205345	Pin, Roll	2	
7	161737	Pin, Roll	1	
8	3201583	Plug, Threaded	1	
9	3025458	Plug, Pipe	3	
10	205347	Plunger, Bypass Valve	1	
11	205348	Plunger, Pst Cooling Valve	1	
12	205346	Spring, Compression	1	
13	3007170	Spring, Piston Cool Vlv	1	
14	69533	Stop, Actuator	1	
15	205350	Plug, Retainer	1	
16	3008470	Plug, Pipe	1	
17	3013786	Plug, Pipe	1	
18	3040838	Screw, Captive Washer Cap	6	
19	3200977	Gasket, Lub Oil Fil Cover	1	



Ref No.	Part Number	Part Name	Req	Remarks
		<b>DIPSTICK TUBE OPTION OB4091</b>		
1	3000508	Tube, Oil Gauge	1	1.84 inch dipstick tube. First used by clark on the 275 front loader.
2	3065684	Tube, Oil Gauge	1	

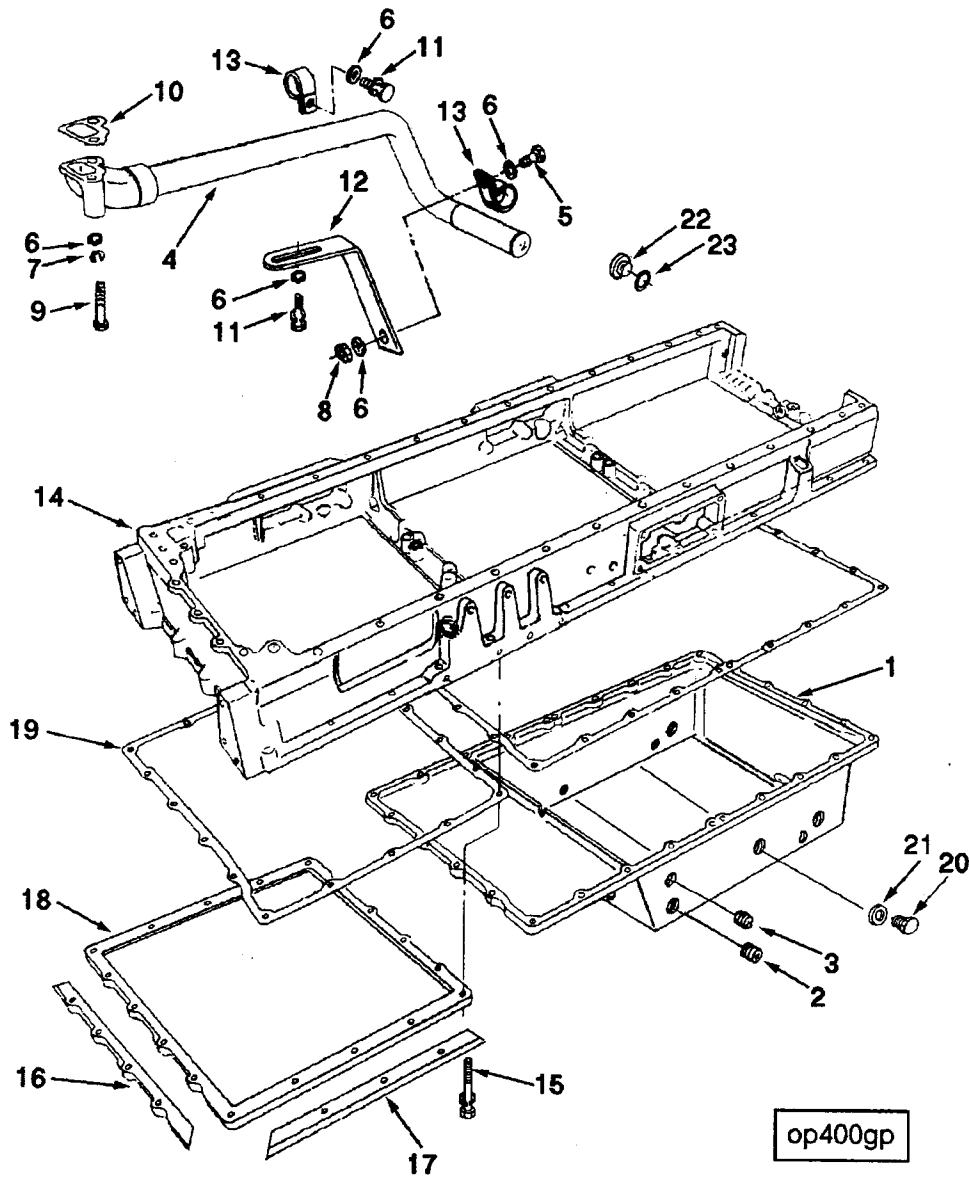


Ref No.	Part Number	Part Name	Req	Remarks
		<b>HAND HOLE COVERS OPTION OB4841</b>		
1	3201060	Cover, Hand Hole	2	
2	3010595	Screw, Captive Washer Cap	12	3/8 - 16 x 1 1/2 inch
3	3042586	Gasket, Hand Hole	3	
4	3002494	Cover, Hand Hole	1	
5	3011716	Screw, Captive Washer Cap	6	3/8 - 16 x 1 3/8 inch
6	AS1602000NF	Hose	1	
7	43828-A	Clamp, Hose	2	
	3046202	Plug, Threaded	3	
8	(3040810)	Plug, Threaded	1	
9	3046201	Seal, O Ring	1	



Ref No.	Part Number	Part Name	Req	Remarks
1	3064724	<p style="text-align: center;"><b>DIPSTICK</b> <b>OPTION OB4935</b></p> <p>Dipstick</p>	1	<p>Dipstick for 1.84inch tube (OB4091) located in hand hole covers fuel pump or exhaust side with a shallow sump oil pan.</p>



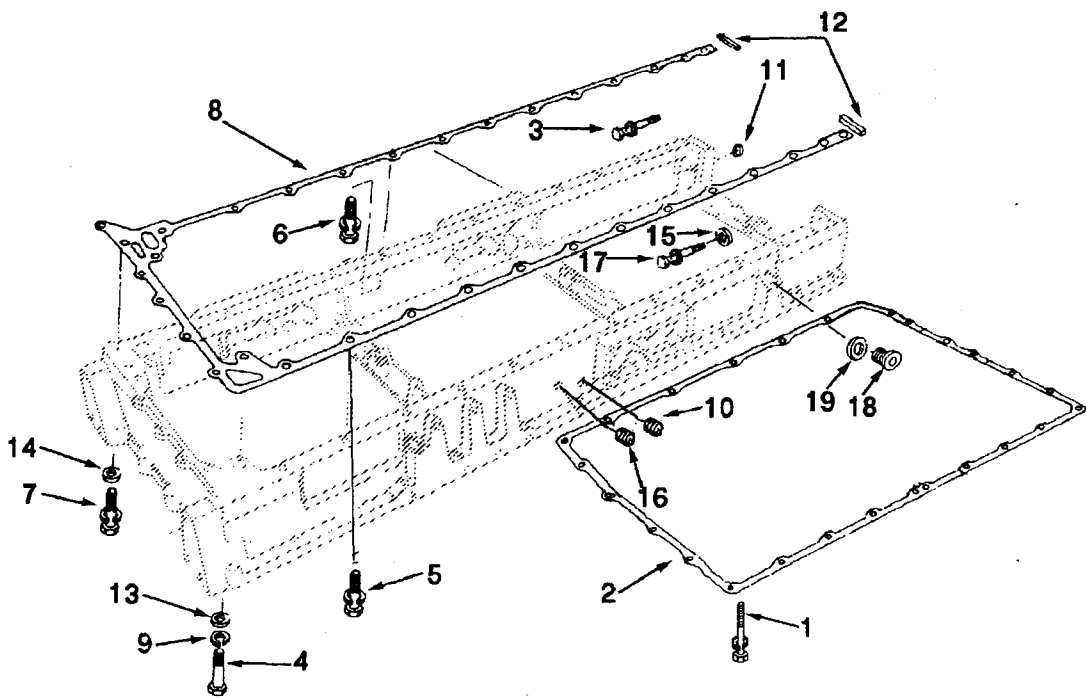


Group No. 07.01

Oil Pan

Option No. OP4022

Ref No.	Part Number	Part Name	Req	Remarks
		<b>OIL PAN OPTION OP4022</b>		Cast aluminum shallow center front sump oil pan. Oil drain, both sides. Bypass filter return, both sides. Oil level 10gallons (38liter) high. 8.5gallons (32.3liter) low. Gear cover plate design.
1	3202152	Pan, Oil	1	
2	3008468	Plug, Pipe	2	
3	3008470	Plug, Pipe	2	
4	3011046	Connection, Oil Suction	1	
5	S-129	Screw, Hexagon Head Cap	1	
6	S-602	Washer, Plain	3	
7	S-610	Washer, Lock	2	
8	129069	Nut, Lock	1	
9	137890	Screw, Hexagon Head Cap	2	
10	3008403	Gasket, Oil Suc Connection	1	
11	3010595	Screw, Captive Washer Cap	2	
12	3200707	Brace, Tube	1	
13	3200706	Clip	1	
14	3202153	Adapter, Oil Pan	1	
15	3040838	Screw, Captive Washer Cap	18	
16	3064700	Plate, Clamping	2	
17	3064701	Plate, Clamping	2	
18	3201995	Cover, Oil Pan Adapter	1	
19	3202259	Gasket, Adapter	1	
20	S-181-C	Screw, Hexagon Head Cap	2	
21	3000204	Washer, Copper	2	
	3046942	Plug, Threaded	2	
22	3046869	Plug, Threaded	1	
23	3046943	Seal, O Ring	1	



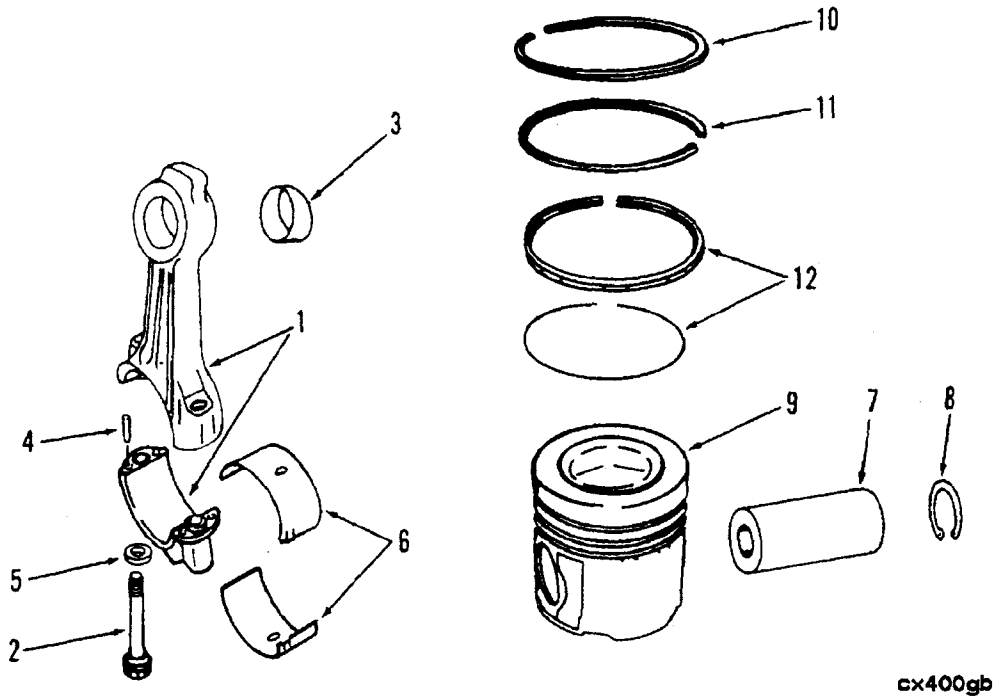
op400gn

Group No. 07.01

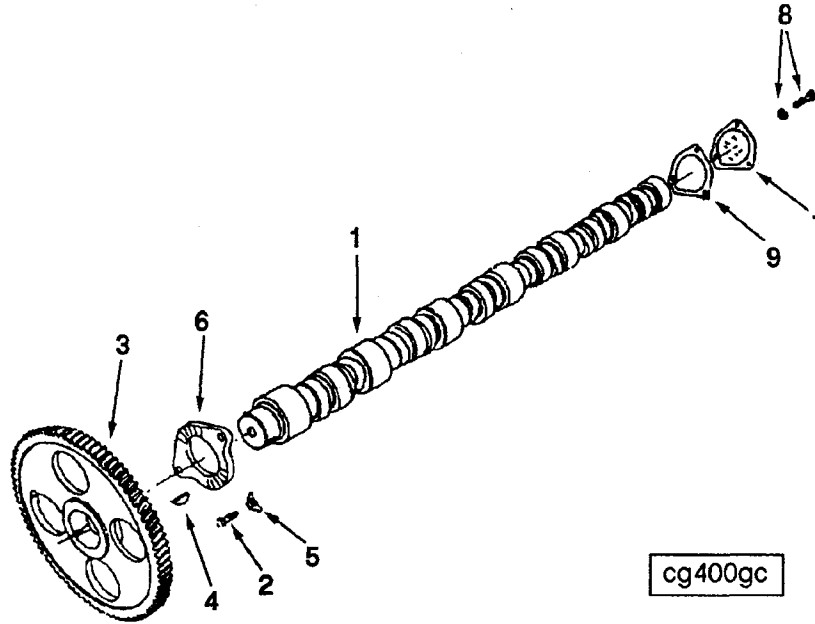
Oil Pan

Option No. OP4716

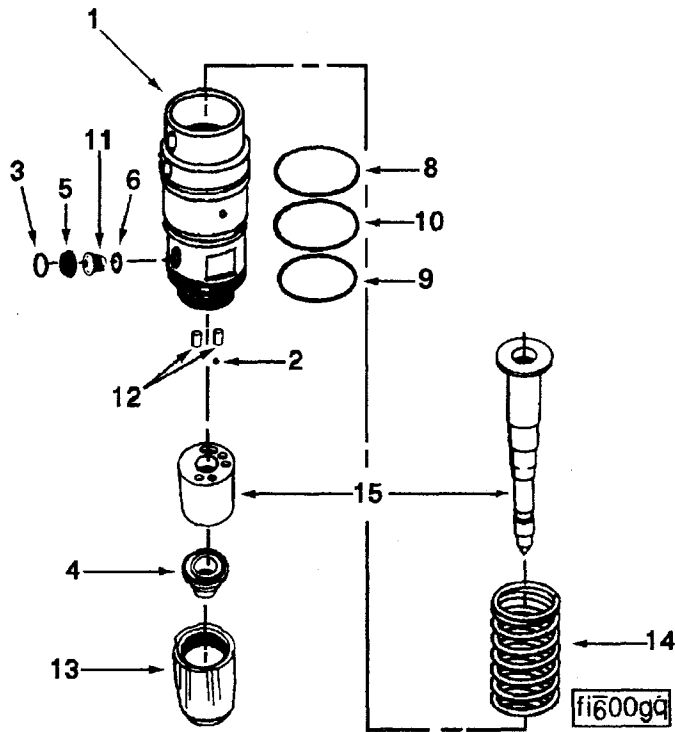
Ref No.	Part Number	Part Name	Req	Remarks
		<b>OIL PAN</b>		
		<b>OPTION OP4716</b>		
				Oil pan adapter mounting used less rear gear train. Gear cover plate design.
1	3065723	Screw, Captive Washer Cap	28	3/8 - 16 x 1 3/4 inch
2	3042590	Gasket, Oil Pan	1	
3	3035624	Screw, Captive Washer Cap	5	3/8 - 16 x 1 1/2 inch
4	137980	Screw, Hexagon Head Cap	1	9/16 - 12 x 3 1/4 inch
5	3012478	Screw, Captive Washer Cap	2	3/8 - 16 x 3 1/2 inch
6	3033038	Screw, Captive Washer Cap	28	3/8 - 16 x 1 3/4 inch
7	3012475	Screw, Captive Washer Cap	1	3/8 - 16 x 2 1/4 inch
8	3042587	Gasket, Oil Pan Adapter	1	
9	S-609	Washer, Lock	1	
10	3025460	Plug, Pipe	1	
11	153518	Seal, Rectangular Ring	4	
12	205241	Seal, Rectangular Strip	2	
13	S-689	Washer, Plain	1	
14	127362	Washer, Plain	2	
15	S-622	Washer, Plain	2	
16	3013786	Plug, Pipe	1	
17	3012481	Screw, Captive Washer Cap	2	7/16 - 14 x 1 1/2 inch
	3046202	Plug, Threaded	2	
18	(3040810)	Plug, Threaded	1	
19	3046201	Seal, O Ring	1	



Ref No.	Part Number	Part Name	Req	Remarks
		<b>PISTON &amp; CONNECTING ROD</b>		
		<b>OPTION PP4065</b>		For the KT19-C and KT19-P. CPL: #0444
		<b>CONNECTING ROD</b>		
1	3043911 (3000791)	Rod, Engine Connecting	6	
2	3013265	Screw, Connecting Rod Cap	1	
3	3043909	Bushing	2	11/16 - 16 x 4.62 inches
4	69558	Dowel, Pin	1	
4	69558	Dowel, Pin	4	
5	205126	Washer, Plain	2	
6	205840	Bearing, Connecting Rod	2	
6	205841	Bearing, Connecting Rod	A/R	.010 Inch oversize
6	205842	Bearing, Connecting Rod	A/R	.020 Inch oversize
6	205843	Bearing, Connecting Rod	A/R	.030 Inch oversize
		<b>PISTON, PIN AND RINGS</b>		
	3803315	Kit, Engine Piston	6	
7	205200	Pin, Piston	1	
8	205269	Ring, Retaining	2	
9	(3070707)	Piston, Engine	1	
	3803472	Set, Piston Ring	6	Standard
10	3046227	Ring, Compression Piston	1	Top
11	3026595	Ring, Compression Piston	1	Intermediate
12	3025451	Ring, Oil Piston	1	



Ref No.	Part Number	Part Name	Req	Remarks
		<b>CAMSHAFT AND GEAR</b>		
		<b>OPTION PP4065</b>		CPL: #0444
1	AR45075	Camshaft	1	
3	3066877	Camshaft	1	
4	207248	Gear, Camshaft	1	
6	S-302	Key, Plain Woodruff	1	
6	3007971	Bearing, Camshaft Thrust	1	
		<b>MOUNTING</b>		
2	S-112	Screw, Hexagon Head Cap	2	3/8 - 16 x 1 inch
5	68908	Lockplate	2	
7	207373	Cover, Camshaft	1	
8	3014766	Screw, Captive Washer Cap	3	3/8 - 16 x 1 inch
9	3040722	Gasket, Camshaft Cover	1	

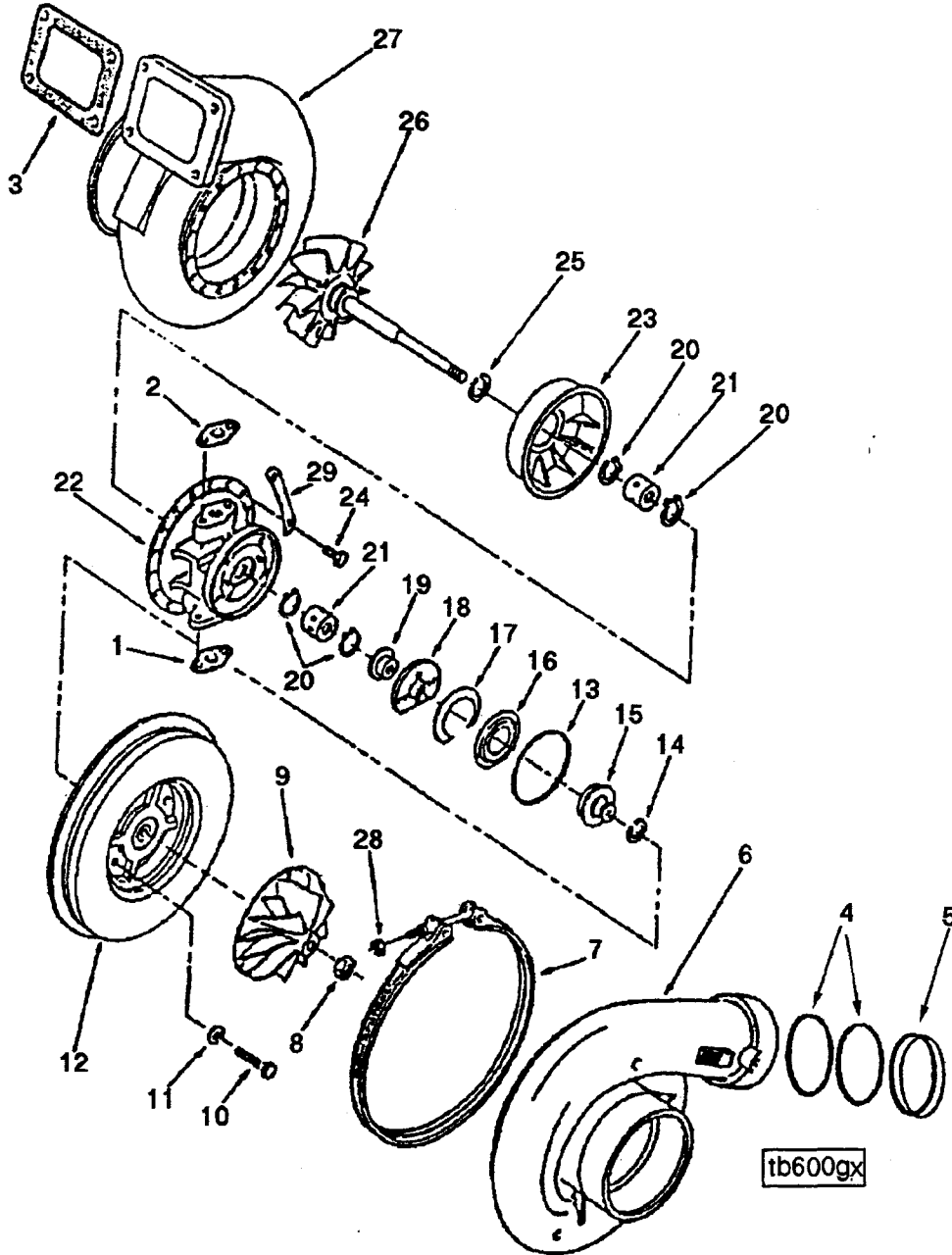


Group No. 06.01

Injector

Option No. PP4065

Ref No.	Part Number	Part Name	Req	Remarks
		<b>INJECTOR</b>		
		<b>OPTION PP4065</b>		RDF
	3016675	Injector	12	
1	205463	Adapter, Injector	1	
2	167157	Ball, Check	1	
3	174299	Retainer, Screen	1	
4	3003933	Cup, Injector	1	
5	3008706	Screen, Filter	1	
6	173086	Gasket, Injector	1	
8	3010510	Seal, O Ring	1	
9	193736	Seal, O Ring	1	
10	205216	Seal, O Ring	1	
11	(3045047)	Plug, Injector Orifice	1	
12	203426	Pin, Roll	1	
13	207245	Retainer, Injector Cup	1	
14	205464	Spring, Compression	1	
15	3037292	Barrel & Plunger	1	
	(3022498)	Plunger, Injector	1	
	(3037291)	Barrel, Injector	1	

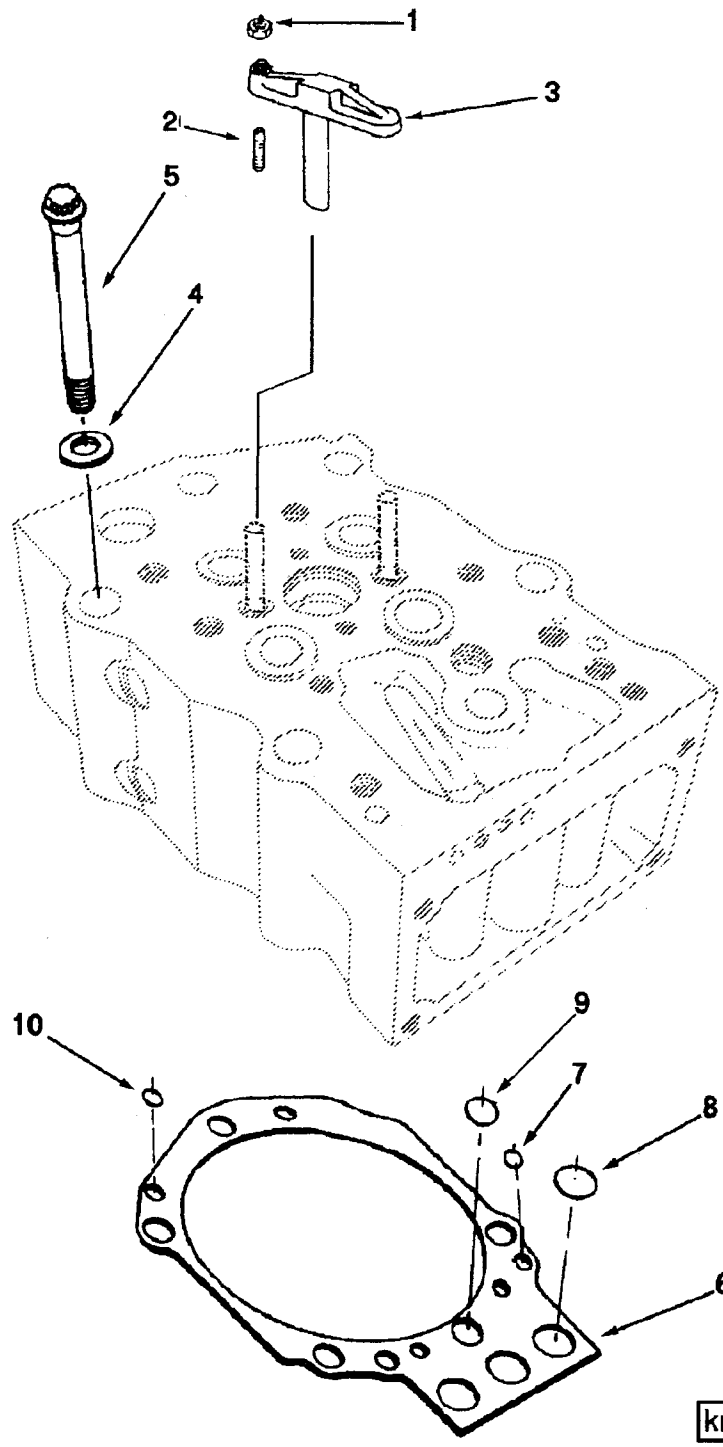


Group No. 10.06

Turbocharger

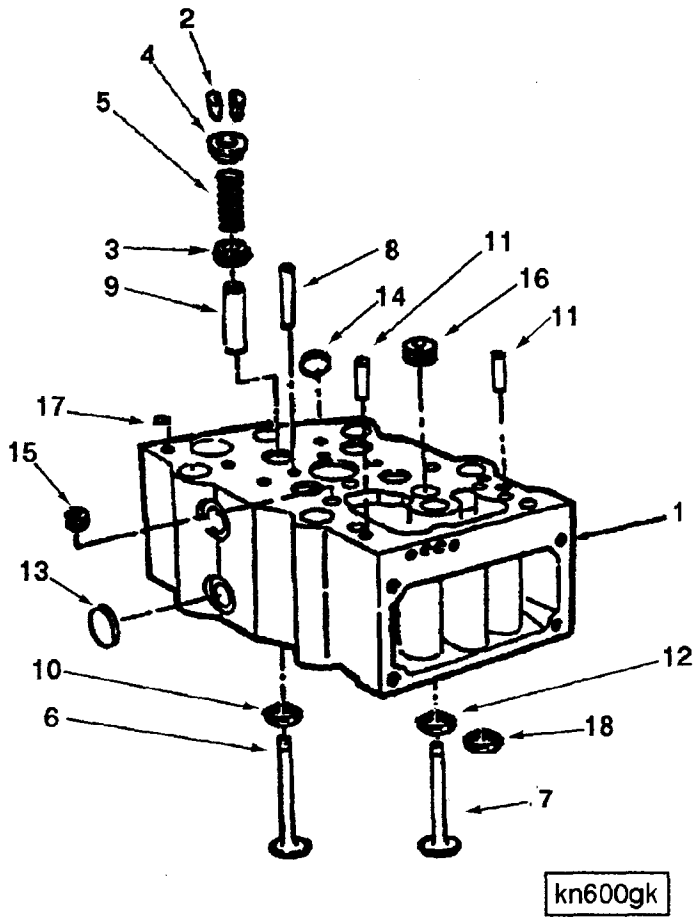
Option No. PP4065

Ref No.	Part Number	Part Name	Req	Remarks
		<b>TURBOCHARGER</b>		
		<b>OPTION PP4065</b>		CPL: #0444
	3803015	Kit, Turbo	1	
1	201048	Gasket, Connection	1	
2	201049	Gasket, Connection	1	
3	206576	Gasket, Turbocharger	1	
4	3023066	Seal, O Ring	2	
5	3023129	Seal, Dust	1	
	3525504	Kit, Turbo	1	
6	(3525546)	Housing, Compressor	1	
7	3522631	Clamp, V Band	1	
8	3519535	Nut, Lock	1	
9	(3523553)	Impeller, Tur Compressor	1	
10	3525073	Screw, Hexagon Head Set	4	
11	3504967	Washer, Plain	4	
12	3524862	Diffuser, Turbocharger	1	
13	3502449	Seal, Rectangular Ring	1	
14	3523412	Seal, Split Ring	1	
15	3523980	Slinger, Oil	1	
16	3524419	Baffle, Oil	1	
17	3524418	Shim	1	
18	3523306	Bearing, Tur Thrust	1	
19	3519623	Collar, Thrust	1	
20	3519641	Ring, Retaining	4	
21	3519627	Bearing, Turbocharger	2	
22	3523429	Housing, Tur Bearing	1	
23	3519783	Shield, Turbocharger Heat	1	
24	3521225	Screw, Hexagon Head Set	8	
25	3521442	Seal, Split Ring	1	
26	3521033	Shaft & Wheel	1	
27	3521174	Housing, Turbine	1	
28	3503335	Nut, Regular Hexagon	1	
29	3522904	Lockplate	4	
		<b>TURBO REPAIR KIT</b>		
	3803257	Hc-5a Bearing/seal Kit		



kn600gi

Ref No.	Part Number	Part Name	Req	Remarks
		<b>CYLINDER HEAD MOUNTING</b>		
		<b>OPTION PP4065</b>		
1	203131	Nut, Heavy Hexagon	12	3/8 - 24 UNF
2	3032697	Screw, Crosshead Adjusting	12	3/8 - 24 x 1 inch
3	3048620	Crosshead, Valve	12	
4	205059	Washer, Plain	36	
5	3032633	Screw, Twelve Point Cap	36	3/4 - 16 X 8 inch
6	3177412	Gasket, Cylinder Head	6	
	(205479)	Gasket, Cylinder Head	1	
7	205852	Seal, Grommet	1	
8	205855	Seal, Grommet	3	
9	205858	Seal, Grommet	1	
10	207448	Seal, Grommet	4	
		<b>OVERSIZE HEAD GASKET</b>		
	3062493	Gasket, Cylinder Head	1	.020 Inch Oversize
	3021465	Seal, Grommet	1	
	3021466	Seal, Grommet	3	
	3021467	Seal, Grommet	1	
	3021468	Seal, Grommet	4	

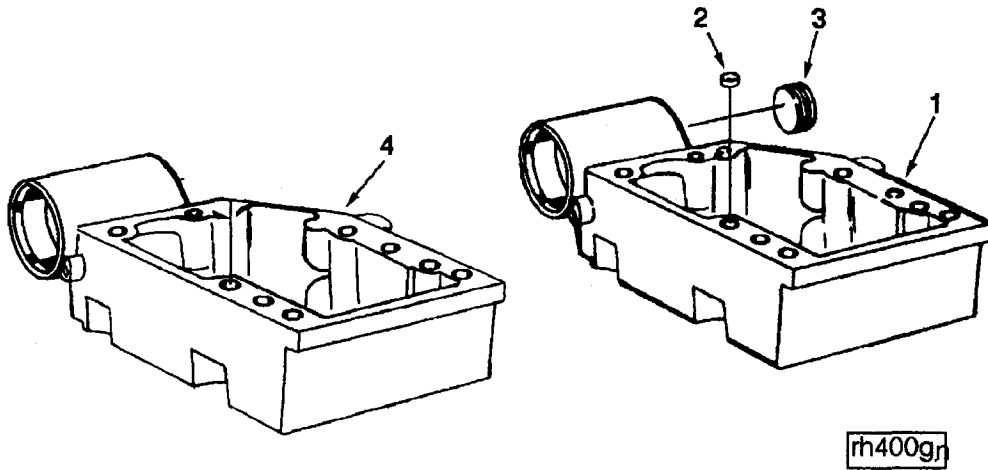


Group No. 02.01

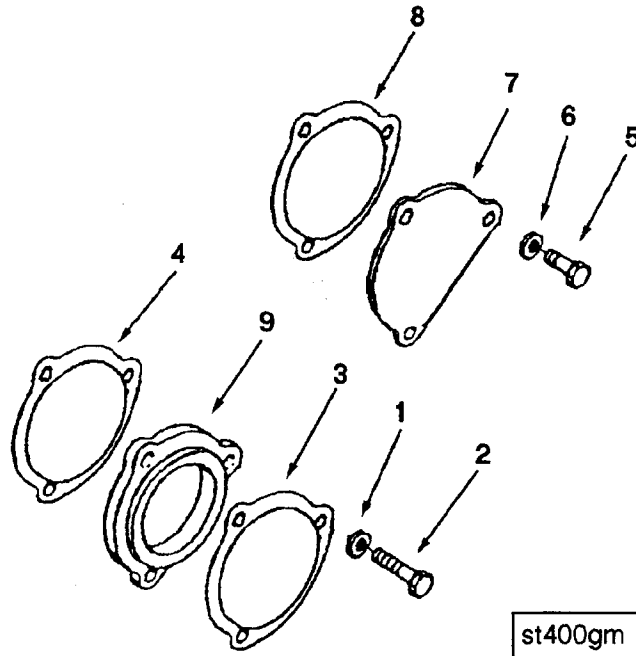
Cylinder Head

Option No. PP4709

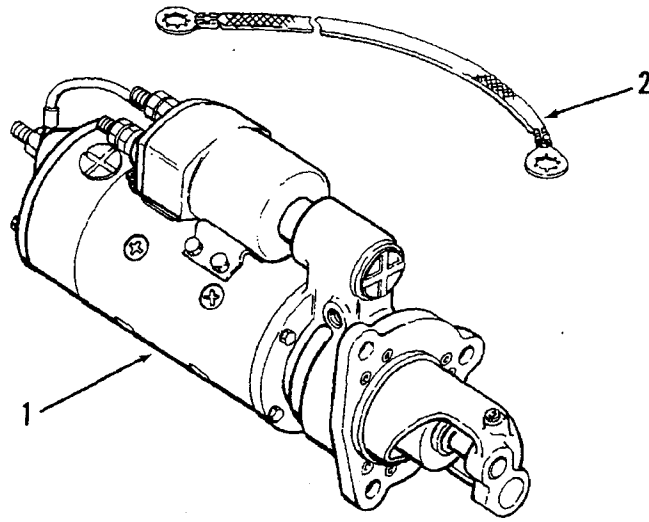
Ref No.	Part Number	Part Name	Req	Remarks
		<b>CYLINDER HEAD</b> <b>OPTION PP4709</b>		Cylinder heads for standard power applications.
	3068402	Head, Cylinder	16	
1	(3176619)	Head, Cylinder	1	
2	205091	Collet, Valve	8	
3	3001663	Guide, Valve Spring	4	
4	205094	Retainer, Valve Spring	4	
5	205208	Spring, Valve	4	
6	3035110	Valve, Exhaust	2	
7	207241	Valve, Intake	2	
8	205169	Guide, Valve Crosshead	2	
9	3202210	Guide, Valve Stem	2	
10	205093	Insert, Valve	2	
11	68445	Pin, Groove	2	
12	3026296	Insert, Valve	2	
13	205401	Plug, Expansion	8	
14	206224	Plug, Expansion	2	
15	3002158	Plug, Pipe	1	
16	S-915-A	Plug, Pipe	1	
17	203933	Plug, Expansion	1	



Ref No.	Part Number	Part Name	Req	Remarks
<b>LIFTING ARRANGEMENT OPTION SS4010</b>				
1	3202196	Housing, Rocker Lever	1	Includes bosses between rocker housings for lifting of engine. Rear rocker housing machined for mounting of air cleaner bracket.
2	205129	Dowel, Ring	6	
3	S-995	Plug, Pipe	1	
4	3202193	Housing, Rocker Lever	5	

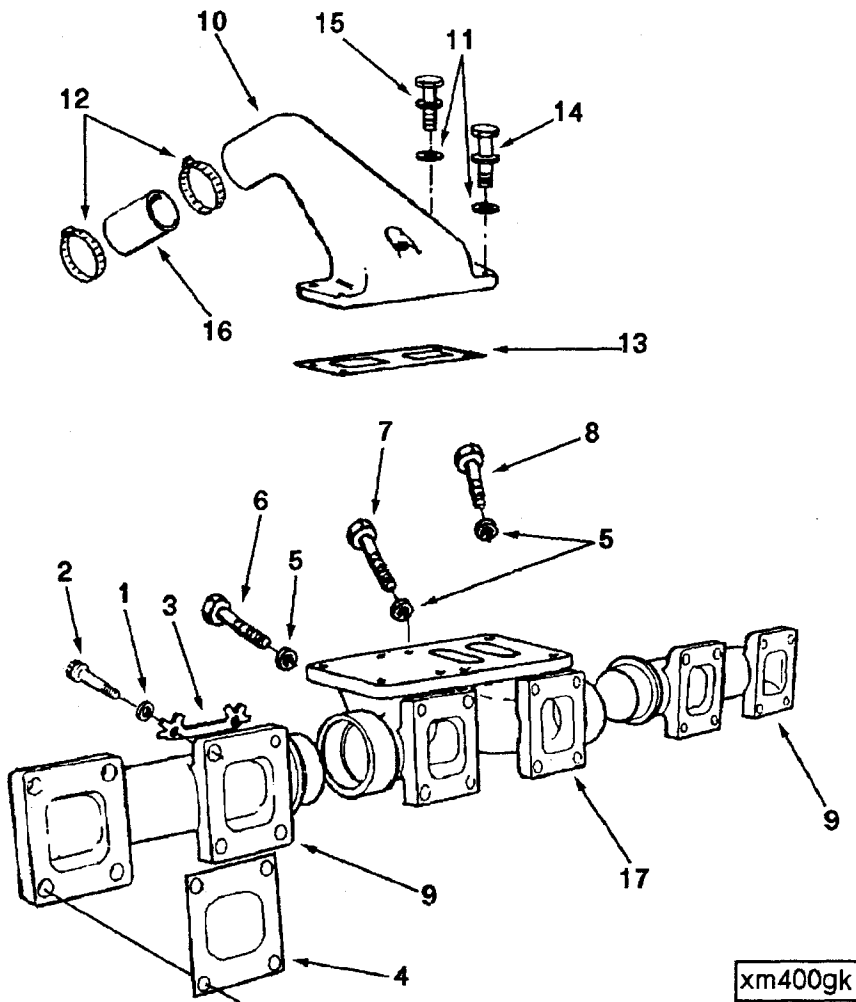


Ref No.	Part Number	Part Name	Req	Remarks
<b>STARTER MOUNTING</b> <b>OPTION ST4011</b>				
				For SAE #1 flywheel housing with access slot and wet application. Mounts starter on right side of engine, facing flywheel.
1	S-603	Washer, Lock	3	5/8 inch
2	202159	Screw, Twelve Point Cap	3	5/8 - 11 x 2 1/4 inches
3	206395	Gasket, Starter	1	
4	3031007	Gasket, Starter	1	
5	S-116	Screw, Hexagon Head Cap	3	5/8 - 11 x 1 1/2 inches
6	S-603	Washer, Lock	3	5/8 inch
7	206389	Cover, Starter Hole	1	
8	3031007	Gasket, Starter	1	
9	206394	Spacer, Starting Motor	1	



st100ga

Ref No.	Part Number	Part Name	Req	Remarks
		<b>STARTER</b> <b>OPTION ST8023</b>		24volt electric starter DR50 MT300 277.5 degrees with ground strap. Has right hand rotation, positive engagement and is an insulated Delco Remy starter. Not to be used on K19 engines requiring aluminum flywheel housings.
1	3021038	Motor, Starting	1	
2	3018924	Wire, Ground	1	

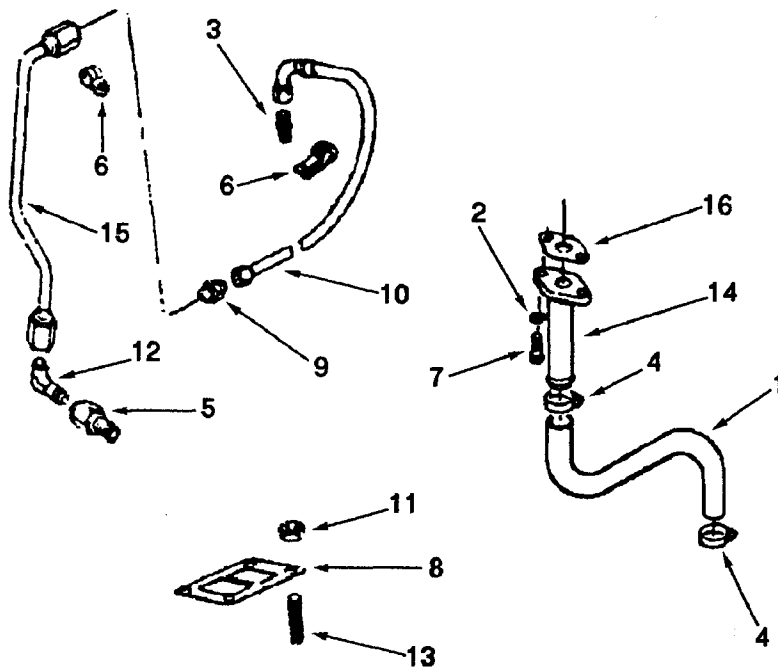


Group No. 11.01

Exhaust Manifold

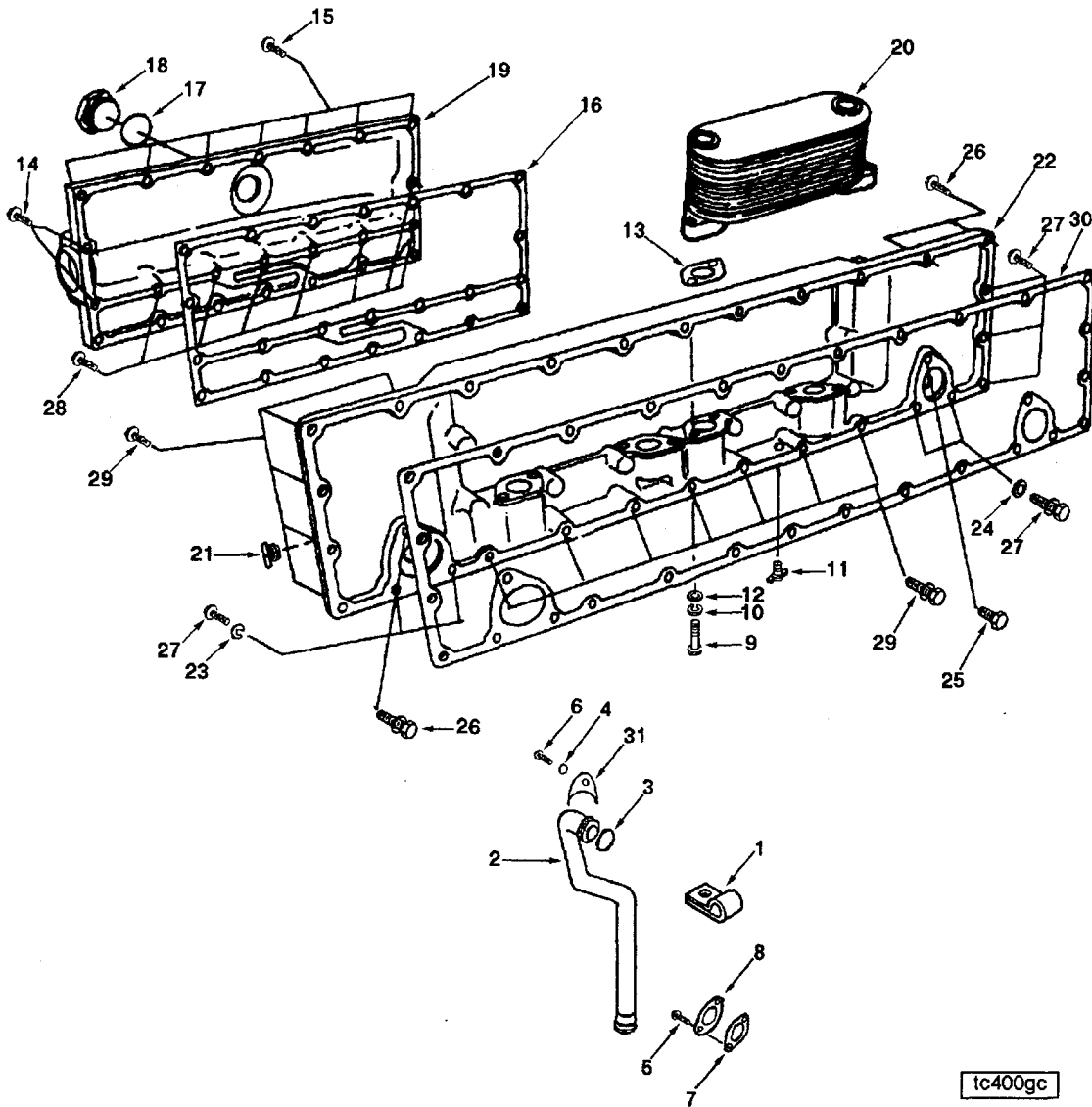
Option No. TB4024

Ref No.	Part Number	Part Name	Req	Remarks
		<b>EXHAUST MANIFOLD/TURBO MTG OPTION TB4024</b>		Dry exhaust manifold and air crossover for top mounted turbocharger with front out exhaust on KT only. Includes non-premium exhaust manifold mounting hardware.
1	109594	Washer, Plain	8	
2	197032	Screw, Hexagon Head Cap	8	7/16 - 14 x 1 1/2 inches
3	3001405	Lockplate	12	
4	3043097	Gasket, Exhaust Manifold	6	
5	109594	Washer, Plain	8	
6	197032	Screw, Hexagon Head Cap	4	7/16 - 14 x 1 1/2 inches
7	3001404	Screw, Hexagon Head Cap	3	7/16 - 14 x 5 1/2 inches
8	3202172	Screw, Hexagon Head Cap	1	7/16 - 14 x 5 inches
9	205186	Manifold, Exhaust	2	
10	3016140	Connection, Air Crossover	1	
11	127362	Washer, Plain	5	
12	140315	Clamp, T Bolt	2	
13	206279	Gasket, Connection	1	
14	3012473	Screw, Captive Washer Cap	4	3/8 - 16 x 1 3/4 inches
15	3012478	Screw, Captive Washer Cap	1	3/8 - 16 x 1 1/2 inches
16	3016142	Hose, Plain	1	
17	3202173	Manifold, Exhaust	1	



tb400gj

Ref No.	Part Number	Part Name	Req	Remarks
		<b>TURBOCHARGER MOUNTING OPTION TB4735</b>		
				Mounting and plumbing for top mounted Holset turbocharger with front out exhaust, dry or wet exhaust manifolds and without mounted torque converter cooler on KT or KTA.
1	AS1602500NF	Hose	1	
2	S-604	Washer, Lock	2	
3	S-1039-A	Connector, Male	1	
4	43828-A	Clamp, Hose	2	
5	118346	Union, Male	1	
6	147991	Clip	2	
7	191772	Screw, Twelve Point Cap	2	3/8 - 16 - 1 1/4 inches
8	206576	Gasket, Turbocharger	1	
9	206943	Union, Adapter	1	
10	215195	Hose, Flexible	1	
11	219138	Nut, Regular Hexagon	4	
12	3003536	Coupling, Elbow Hose	1	
13	3010915	Stud	4	
14	3200178	Tube, Tur Oil Drain	1	
15	3200273	Tube, Tur Oil Supply	1	
16	3202117	Gasket, Connection	1	

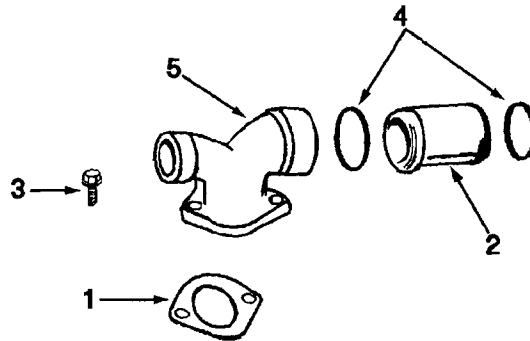


Group No. 07.05

## Lubricating Oil Cooler

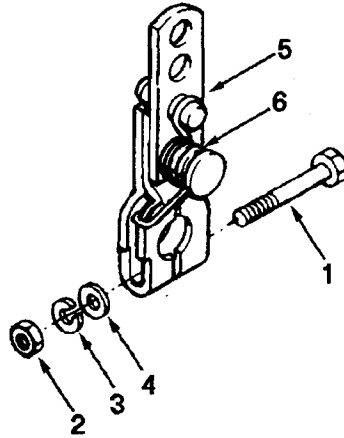
Option No. TC4024

Ref No.	Part Number	Part Name	Req	Remarks
		<b>OIL COOLER OPTION TC4024</b>		Cast iron engine oil cooler with provisions to plumb water by-pass tube to bottom of radiator tank. For use with engine oil filters mounted on fuel pump side.
1	3000900	Clip	1	
2	3011298	Tube, Water Bypass	1	
3	70624	Seal, O Ring	1	
4	146162	Washer, Plain	1	
5	3010596	Screw, Captive Washer Cap	2	3/8 - 16 x 1 1/4 inches
6	3015283	Screw, Captive Washer Cap	1	5/16 - 18 x 3/4 inches
7	3060912	Gasket, Connection	1	
8	3201884	Plate, Cover	1	
	3201155	Cooler, Engine Cast	1	
9	S-103-C	Screw, Hexagon Head Cap	8	3/8 - 24 x 3 3/4 inches
10	S-604	Washer, Lock	8	
11	S-923-E	Draincock	1	
12	127362	Washer, Plain	10	
13	206973	Gasket, Oil Cooler Core	4	
14	3012478	Screw, Captive Washer Cap	2	3/8 - 16 x 3 1/2 inches
15	3042889	Screw, Captive Washer Cap	7	3/8 - 16 x 1 7/8 inches
16	3065791	Gasket, Tor Cnv Oil Cooler	1	
17	145540	Seal, O Ring	1	
18	206256	Plug, Threaded	1	
19	3200988	Cover, Lub Oil Cooler	1	
20	3201785	Core, Cooler	2	
21	3202101	Plug, Threaded	2	
22	3202217	Housing, Oil Cooler	1	
23	S-604	Washer, Lock	4	
24	127362	Washer, Plain	4	
25	205275	Screw, Twelve Point Cap	4	3/8 - 16 x 1 3/4 inches
26	3033038	Screw, Captive Washer Cap	2	3/8 - 16 x 1 5/8 inches
27	3040838	Screw, Captive Washer Cap	10	3/8 - 16 x 1 1/4 inches
28	3042889	Screw, Captive Washer Cap	7	3/8 - 16 x 1 5/8 inches
29	3042890	Screw, Captive Washer Cap	14	3/8 - 16 x 4 inches
30	3200550	Gasket, Lub Oil Cir Hsg	1	
31	3201287	Clip	1	



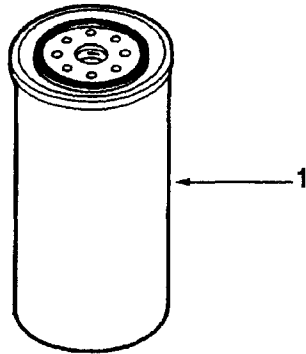
tc400gk

Ref No.	Part Number	Part Name	Req	Remarks
		<b>OIL COOLER CONNECTION OPTION TC4701</b>		
	(AR45711)	Connection, Water Outlet	1	Water pump to lub oil cooler standard connection. For KT engines.  3/8 - 16 x 1 1/4 inches
1	205289	Gasket, Wtr Trf Connection	1	
2	206998	Tube, Water Transfer	1	
3	3010596	Screw, Captive Washer Cap	2	
4	3028291	Seal, O Ring	2	
5	3200211	Connection, Water Outlet	1	



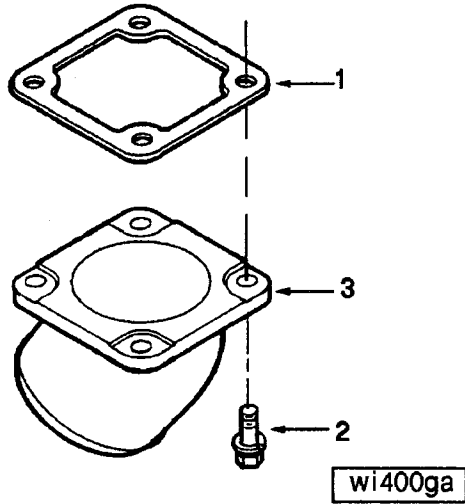
tl800gb

Ref No.	Part Number	Part Name	Req	Remarks
		<b>THROTTLE LEVER OPTION TL8001</b>		Two hole breakover type throttle lever with 0.34 inch diameter holes on 2.12 and 2.62 inch centers. Not compatible with VS fuel pump housing.
1	S-159-B	Screw, Hexagon Head Cap	1	1/4-28 x 1 1/2 Inch
2	S-251	Nut, Regular Hexagon Jam	1	1/4-28
3	S-600	Washer, Lock	1	
4	70704	Washer, Plain	1	
5	3048296	Lever, Throttle	1	
6	3024169	Spring, Torsion	1	

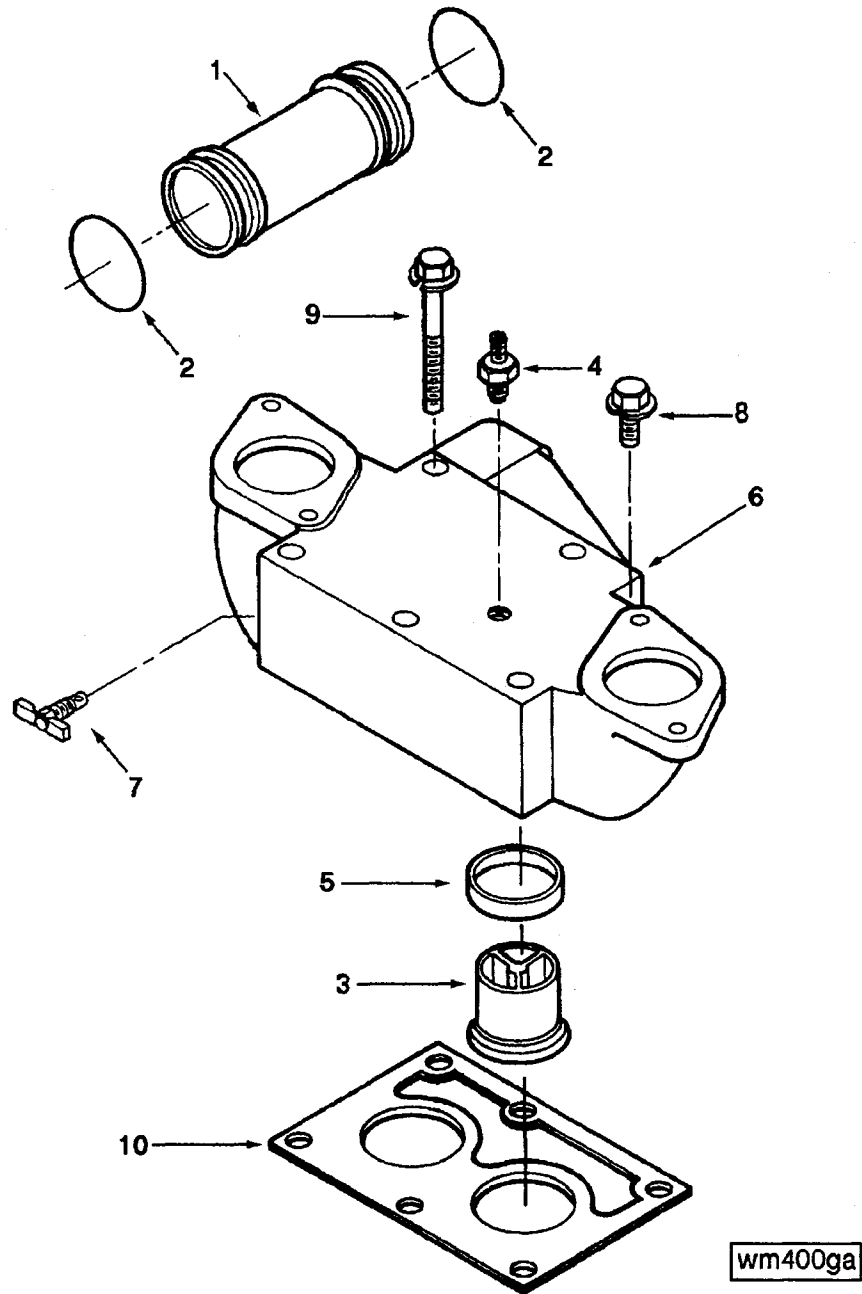


wf400ga

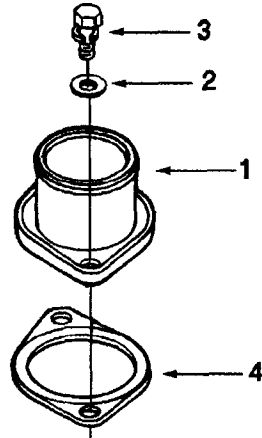
Ref No.	Part Number	Part Name	Req	Remarks
1	3318319	<p style="text-align: center;"><b>CORROSION RESISTOR</b> <b>OPTION WF4001</b></p> <p>Resistor, Corrosion</p>	1	<p>Single spin-on cartridge mounted on water pump housing. For cooling systems at or below 100 quart capacity.</p> <p>Fleetguard WF2076</p>



Ref No.	Part Number	Part Name	Req	Remarks
<b>WATER INLET CONNECTION</b>				
<b>OPTION WI4001</b>				
1	205288	Gasket, Wtr Trf Connection	1	3.50 inch outside diameter water inlet connection mounted behind the water pump pointing down.
2	3010595	Screw, Captive Washer Cap	4	
3	3007701	Connection, Water Inlet	1	



Ref No.	Part Number	Part Name	Req	Remarks
		<b>WATER MANIFOLD</b>		
		<b>OPTION WM4003</b>		
				Water transfer tubes for dry exhaust gear cover plate design.
1	207233	Tube, Water Transfer	5	
2	3028291	Seal, O Ring	10	
3	201737	Thermostat	2	
	3016721	Housing, Thermostat	1	
4	143950	Connector, Male	1	
5	186780	Seal, Thermostat	2	
6	3010933	Housing, Thermostat	1	
7	S-962-E	Draincock	1	
8	3010596	Screw, Captive Washer Cap	1	3/8 - 16 x 1 1/4 inches
9	3010597	Screw, Captive Washer Cap	5	3/8 - 16 x 3 3/4 inches
10	3010918	Gasket, Thermostat Housing	1	



wo400ga

Ref No.	Part Number	Part Name	Req	Remarks
<b>WATER OUTLET CONNECTION OPTION WO4002</b>				
1	3061003	Connection, Water Outlet	2	Dual 2.5 inch water outlet connections pointing up.
2	S-602	Washer, Plain	4	
3	3012470	Screw, Captive Washer Cap	4	
4	3060912	Gasket, Connection	2	
		3/8-16 x 3/4 Inch		

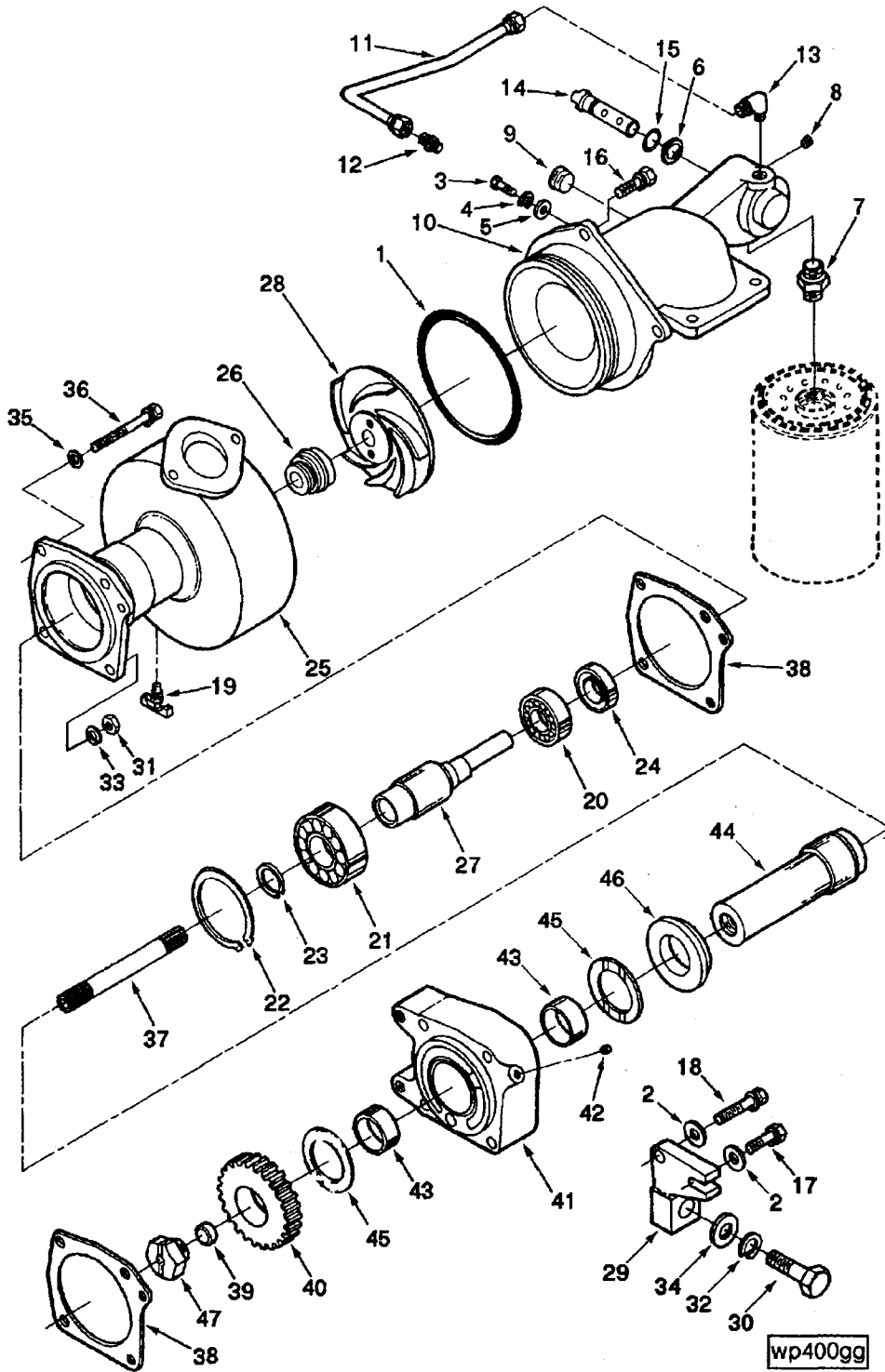
# K19

# K

Group No. 08.01

Water Pump

Option No. WP4009

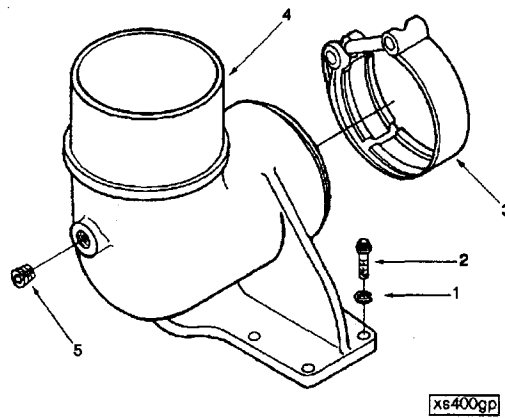


Group No. 08.01

Water Pump

Option No. WP4009

Ref No.	Part Number	Part Name	Req	Remarks
		<b>WATER PUMP OPTION WP4009</b>		Water pump with provisions for pump mounted water filter. Gear cover plate design.
	3011389	Pump, Water	1	
1	145623	Seal, O Ring	1	
2	3005594	Washer, Plain	2	
	3010529	Connection, Water Inlet	1	
3	S-114	Screw, Hexagon Head Cap	1	1/4 - 20 x 3/4 inch
4	S-600	Washer, Lock	1	
5	S-631	Washer, Plain	1	
6	205363	Washer, Spring	1	
7	206963	Adapter, Filter Head	1	
8	3008466	Plug, Pipe	1	
9	3008469	Plug, Pipe	1	
10	3010181	Connection, Water Inlet	1	
11	3010704	Tube, Water Transfer	1	
12	3201982	Connector, Male	1	
13	3201983	Elbow, Male Adapter	1	
14	3818849	Shaft, Shutoff Valve	1	
15	3818885	Seal, O Ring	1	
16	3010596	Screw, Captive Washer Cap	3	3/8 - 16 x 1 1/4 inches
17	(3012472)	Screw, Captive Washer Cap	1	3/8 - 16 x 1 1/2 inches
18	3012474	Screw, Captive Washer Cap	1	3/8 - 16 x 2 inches
	3022920	Pump, Water	1	
19	S-962-E	Draincock	1	
20	S-16002	Bearing, Ball	1	
21	S-16069	Bearing, Ball	1	
22	70183	Ring, Retaining	1	
23	205258	Ring, Retaining	1	
24	206948	Seal, Oil	1	
25	206964	Body, Water Pump	1	
26	3033677	Seal, Water Pump	1	
27	3042827	Shaft, Water Pump	1	
	(205158)	Shaft, Water Pump	1	
	(3040833)	Shaft, Water Pump	1	
28	3056476	Impeller, Water Pump	1	
29	3036096	Brace, Water Pump	1	
30	S-103-A	Screw, Hexagon Head Cap	1	5/8 - 11 x 2 inches
31	S-205	Nut, Regular Hexagon	1	
32	S-603	Washer, Lock	1	
33	S-604	Washer, Lock	1	
34	S-658	Washer, Plain	1	
35	127362	Washer, Plain	3	
36	3012476	Screw, Captive Washer Cap	3	3/8 - 16 x 3 inches
37	3040832	Shaft, Water Pump	1	
38	3202283	Gasket, Water Pump	2	
	3025885	Shaft, Water Pump	1	
39	205498	Plug, Oil	1	
40	207251	Gear, Water Pump	1	
41	3007386	Support, Water Pump	1	
42	S-965-E	Plug, Pipe	1	
43	205156	Bushing	2	
	(3007364)	Support, Water Pump	1	
44	3801195	Shaft, Wtr Pump	1	
	(3025887)	Shaft, Water Pump	1	
45	3026556	Bearing, Thrust	2	
46	3034721	Retainer, Shaft	1	
47	3200968	Plug, Threaded	1	



Ref No.	Part Number	Part Name	Req	Remarks
		<b>EXHAUST ELBOW OPTION XS4003</b>		Exhaust connection-90 degree elbow with exhaust manifold mounting flange for 6inch piping.
1	S-604	Washer, Lock	4	
2	191772	Screw, Twelve Point Cap	4	3/8 - 16 x 1 1/4 inches
3	201989	Clamp, V Band	1	
4	207175	Connection, Exhaust Outlet	1	
5	S-915-A	Plug, Pipe	1	

Group No. 17.01

Gasket Sets

Option No. 000000

Ref No.	Part Number	Part Name	Req	Remarks
		<b>UPPER ENGINE GASKET SET</b>		
	3801004	Set, Upper Engine Gasket	1	KT-19
	100478	Seal, O Ring	2	
	131026	Seal, O Ring	12	
	201048	Gasket, Oil Out	1	
	201049	Gasket, Oil In	1	
	205852	Seal, Grommet	6	
	205855	Seal, Grommet	18	
	205858	Seal, Grommet	6	
	206277	Gasket, Intake	6	
	206279	Gasket, Air Compressor	1	
	206576	Gasket, Turbo	1	
	207038	Seal, O Ring	1	
	207244	Seal, Injector	6	
	207448	Seal, Grommet	24	
	3001340	Seal, O Ring	12	
	3002150	Seal, Ferrule	2	
	3014304	Seal, Rectangular	12	
	3023066	Seal, O Ring	2	
	3028291	Seal, O Ring	13	
	3040720	Gasket, Valve	6	
	3043097	Gasket, Exhaust	6	
	3070789	Gasket, Rocker Lever	6	
	3177412	Gasket, Cylinder	6	
	205479	Gasket, Cylinder	6	
	205852	Seal, Gromet	1	
	205855	Seal, Gromet	3	
	205858	Seal, Gromet	1	
	207448	Seal, Gromet	4	

Group No. 17.01

Gasket Sets

Ref No.	Part Number	Part Name	Req	Remarks
		<b>HEAD GASKET SET - SINGLE</b>		
	3015239	Set, Single Head Gsk.	1	
	100478	Seal, O Ring	12	
	131026	Seal, O Ring	12	
	205852	Seal, Grommet	1	
	205855	Seal, Grommet	3	
	206277	Gasket, Intake Manifold	6	
	206279	Gasket, Connection	1	
	206446	Gasket, Wtr Trf Connection	1	
	206576	Gasket, Turbocharger	1	
	207038	Seal, O Ring	1	
	207244	Seal, Injector	1	
	207448	Seal, Grommet	4	
	3001340	Seal, O Ring	12	
	3023066	Seal, O Ring	4	
	3026421	Seal, O Ring	2	
	3028291	Seal, O Ring	5	
	3040720	Gasket, Rocker Lever Cover	1	
	3040721	Gasket, Cam Fol Housing	1	
	3043097	Gasket, Exhaust Manifold	2	
	3070789	Gasket, Rkr Lever Housing	1	
	3177412	Gasket, Cylinder Head	1	
	205479	Gasket, Cylinder Head	1	
	205852	Seal, Grommet	1	
	205855	Seal, Grommet	3	
	205858	Seal, Grommet	1	
	3179027	Gasket, Connection	3	
	3818885	Seal, O Ring	2	

Group No. 17.01

## Gasket Sets

Option No. 000000

Ref No.	Part Number	Part Name	Req	Remarks
		<b>ENGINE GASKET SET</b>		
	3801006	Gasket Set, Engine		KT-19
	67946	Washer, Plain	3	
	70624	Seal, O Ring	2	
	145536	Seal, O Ring	1	
	145540	Seal, O Ring	2	
	145600	Seal, O Ring	1	
	153518	Seal, Rectangular	4	
	163654	Seal, O Ring	2	
	176027	Gasket	1	
	205061	Gasket, Lub Pump	1	
	205239	Seal, Rectangular	1	
	205247	Seal, O Ring	1	
	205288	Gasket, Water	1	
	205289	Gasket, Water Outlet	1	
	205791	Gasket, Scavenger Pump	1	
	205794	Gasket, Barring	1	
	205827	Gasket, Barring	1	
	205898	Seal, O Ring	2	
	206973	Gasket, Cooler	4	
	206978	Seal, Rectangular	1	
	207056	Gasket, Aftercooler	1	
	207058	Gasket, Thermostat	1	
	207075	Gasket, Flange	1	
	207117	Gasket, Air Compressor	1	
	207135	Seal, Rectangular	1	
	3001318	Gasket, Gear Cover	1	
	3002330	Gasket, Seal Retainer	1	
	3005885	Seal, Rear Crank	1	
	3007380	Gasket, Hydraulic	1	
	3007441	Seal, O Ring	6	
	3008403	Gasket, Oil Suction	1	
	3015067	Seal, O Ring	6	
	3016788	Seal, Oil	2	
	3016789	Seal, Fan Hub	1	
	3016792	Seal, Front Crank	1	
	3028291	Seal, O Ring	2	
	3029820	Seal, O Ring	1	
	3037282	Gasket, Cover Plate	1	
	3040721	Gasket, Cam Cover	6	
	3040722	Gasket, Camshaft	1	
	3042586	Gasket, Hand Hole Cover	3	
	3042588	Gasket, Oil Pan	1	
	3042590	Gasket, Oil Pan	1	
	3042612	Gasket, Fan Hub	1	
	3065790	Gasket, Lub Oil Clr Hsg	1	
	3065791	Gasket, Tor Cnv Oil Cool	1	
	3069103	Gasket, Fuel Pump	1	
	3069844	Strip, Rectangular	2	
	3200287	Seal, Keyway	1	
	3200977	Gasket, Lub Oil Fltr Cvr	1	
	3201125	Seal, O Ring	1	
	3201388	Gasket, Compressor	1	
	3201693	Gasket, Acc Dr. Suppt.	1	
	3201783	Gasket, Water	2	
	3201850	Gasket, Air Compressor	1	
	3202259	Gasket, Adapter	1	
	3202283	Gasket, Water Pump	1	
	3913994	Seal, O Ring	1	
	3919601	Gasket, Acc Drive Cover	1	

Group No. 17.01,  
17.01.1

Repair Kits

Ref No.	Part Number	Part Name	Req	Remarks
	3028434	Kit, Liner	1	Standard
	3028430	Kit, Liner	1	.020 Inch O/S
	3028431	Kit, Liner	1	.040 Inch O/S
	3028432	Kit, Liner	1	.060 Inch O/S
	3024726	Kit, Liner	1	.083 Inch O/S
	3028433	Kit, Liner	1	.095 Inch O/S
	AR12270	Shell, Main Bearing Std	1	Standard
	AR12271	Shell, Main Bearing .010	A/R	.010 Inch
	AR12272	Shell, Main Bearing .020	A/R	.020 Inch
	AR12273	Shell, Main Bearing .030	A/R	.030 Inch
	3801004	Set, Upper Engine Gsk.	1	
	3801006	Set, Lower Engine Gasket	1	
	3015239	Set, Single Head Gsk.	1	
	3803315	Kit, Engine Piston	1	
	3803472	Set, Piston Ring	1	
	3010242	Gasket Set, Fuel Pump	1	
	3803153	Kit W.P. Repair (Major)	1	
	3803257	Kit, Turbo RePair	1	
	205840	Bearing, Connecting Rod	12	Standard
	205841	Bearing, Connecting Rod	A/R	.010 Inch O/S
	205842	Bearing, Connecting Rod	A/R	.020 Inch O/S
	205843	Bearing, Connecting Rod	A/R	.030 Inch O/S
	3006236	Sleeve, Wear	1	
	3006237	Sleeve, Wear	1	

## Option Index

Option No.	Description	Page No.
AD4007	Accessory Drive Pulley	2
AD4014	Accessory Drive	3
BP4010	Cam Follower	15
	Camshaft Idler Gear	8
	Crankshaft & Main Bearings	11
	Cylinder Block	5, 7
	Injector Mounting	18
	Lubricating Oil Pump	17
	Pump Idler	8
	Rocker Levers	13
BR4002	Breather Location	21
DA4001	Vibration Damper	22
EE4026	Alternator Mounting	25
EM4058	Front Engine Support	27
EM4703	Gear Cover Mounting	29
FA4081	Fan Drive Arrangement	30
FF4001	Fuel Filter	33
FH4141	Flywheel Housing	35
FH8713	Mag Pickup Location Plug	36
FO4025	Oil Fill Location	37
FP4815	Fuel Pump Drive	38
FP4959	Fuel Pump	39
FT40002	Fuel Tubing	41
FV8010	Fuel Shutoff Valve	43
FW4104	Flywheel	44
HD4067	Cover Plate	47
IM4005	Intake Manifold	48
IM4716	Intake Manifold	49
IM4719	Intake Manifold Mounting	50
LF4011	Oil Filter	51
OB4091	Dipstick Tube	52
OB4841	Hand Hole Covers	53
OB4935	Dipstick	54
OP4022	Oil Pan	57
OP4716	Oil Pan	59
PP4065	Camshaft And Gear	61
	Cylinder Head Mounting	67
	Injector	63
	Piston & Connecting Rod	60
	Turbocharger	65
PP4709	Cylinder Head	69
SS4010	Lifting Arrangement	70
ST4011	Starter Mounting	71
ST8023	Starter	72
TB4024	Exhaust Manifold/turbo Mtg	75
TB4735	Turbocharger Mounting	76
TC4024	Oil Cooler	79
TC4701	Oil Cooler Connection	80
TL8001	Throttle Lever	81
WF4001	Corrosion Resistor	82
WI4001	Water Inlet Connection	83
WM4003	Water Manifold	85
WO4002	Water Outlet Connection	86
WP4009	Water Pump	89

**Option No.**

**Description**

**Page No.**

XS4003 .....

Exhaust Elbow .....

90

## INDEX

Part No.	Description	Page No.	Part No.	Description	Page No.
AR10626	Shaft, Cam Follower	15	67946	Washer, Plain	93
AR12110	Damper, Fuel Pump & Mtg.	39	68138	Connector, Male	41
AR12270	Shell, Main Bearing	11, 94	68445	Pin, Groove	5, 69
AR12271	Shell, Main Bearing	11, 94	68908	Lockplate	61
AR12272	Shell, Main Bearing	11, 94	69324	Washer, Plain	41
AR12273	Shell, Main Bearing	11, 94	69521	Bushing	17
AR45075	Camshaft	61	69533	Stop, Actuator	51
AS1003000SS	Hose	33	69558	Dowel, Pin	60
AS1602000NF	Hose	53	70183	Ring, Retaining	89
AS1602500NF	Hose	76	70624	Seal, O Ring	79, 93
S-103-A	Screw, Hexagon Head Cap	5, 35, 89	70645	Dowel, Pin	27
S-103-C	Screw, Hexagon Head Cap	79	70704	Washer, Plain	41, 81
S-103-D	Screw, Hexagon Head Cap	17, 47, 50	70760	Dowel, Pin	17
S-106	Screw, Hexagon Head Cap	25	70897	Nut, Lock	25
S-112	Screw, Hexagon Head Cap	61	100478	Seal, O Ring	41, 91, 92
S-113	Screw, Hexagon Head Cap	25	102957	Dowel, Diamond	27
S-114	Screw, Hexagon Head Cap	89	107948	Dowel, Diamond	17
S-116	Screw, Hexagon Head Cap	35, 71	107981	Cap, Filler	37
S-123-A	Screw, Hexagon Head Cap	47	108602	Screw, Hexagon Head Cap	13
S-125	Screw, Hexagon Head Cap	13	109594	Washer, Plain	75
S-126	Screw, Hexagon Head Cap	17	111445	Washer, Lock	25
S-127-C	Screw, Hexagon Head Cap	5	118226	Screw, Socket Head Cap	41
S-129	Screw, Hexagon Head Cap	57	118346	Union, Male	76
S-140	Screw, Hexagon Head Cap	41	123204	Screw, Hexagon Head Cap	50
S-141	Screw, Hexagon Head Cap	17, 48	124921	Dowel	5
S-156-B	Screw, Hexagon Head Cap	41	127018	Washer, Plain	41
S-159-B	Screw, Hexagon Head Cap	81	127362	Washer, Plain	5, 15, 25, 29, 41, 48, 50
S-173-A	Screw, Hexagon Head Cap	27			
S-181-C	Screw, Hexagon Head Cap	57	128006	Washer, Plain	41
S-189-C	Screw, Socket Head Cap	43	129069	Nut, Lock	57
S-199-A	Screw, Hexagon Head Cap	17	129768	Spring, Valve	43
S-199-B	Screw, Hexagon Head Cap	29	129826	Body, Shutoff Valve	43
S-205	Nut, Regular Hexagon	38, 89	129838	Knob	43
S-212	Nut, Regular Hexagon	13	129839	Shield, Shutoff Valve	43
S-217	Nut, Heavy Hexagon	41	129859	Elbow, Male Union	33
S-251	Nut, Regular Hexagon Jam	81	129886	Body, Shutoff Valve	43
S-253	Nut, Regular Hexagon Jam	25	129888	Seal, Rectangular Ring	43
S-302	Key, Plain Woodruff	61	130083	Bearing, Thrust	8
S-316	Key, Plain Woodruff	3, 38	131026	Seal, O Ring	91, 92
S-600	Washer, Lock	81, 89	132770	Bushing	27
S-602	Washer, Plain	29, 38, 57, 86	134076	Solenoid	43
S-603	Washer, Lock	5, 27, 35, 71, 89	137868	Screw, Hexagon Head Cap	50
S-604	Washer, Lock	15, 17, 29, 38, 47, 48, 50	137890	Screw, Hexagon Head Cap	57
S-607	Washer, Lock	41	140315	Screw, Hexagon Head Cap	59
S-608	Washer, Lock	22	143950	Clamp, T Bolt	75
S-609	Washer, Lock	59	145356	Connector, Male	49, 85
S-610	Washer, Lock	41, 57	145536	Seal, O Ring	30, 93
S-622	Washer, Plain	59	145540	Seal, O Ring	79, 93
S-631	Washer, Plain	35, 89	145600	Seal, O Ring	93
S-658	Washer, Plain	5, 89	145623	Seal, O Ring	89
S-689	Washer, Plain	59	146162	Washer, Plain	79
S-915-A	Plug, Pipe	69, 90	147416	Plug, Expansion	5
S-923-E	Draincock	79	147991	Clip	76
S-962-E	Draincock	85, 89	153518	Seal, Rectangular Ring	59, 93
S-965-E	Plug, Pipe	27, 89	154087	Seal, Rectangular Ring	43
S-1039-A	Connector, Male	76	156810	Breather, Crankcase	21
S-1040-A	Elbow, Male Adapter	27	158829	Screw, Hexagon Head Cap	25
S-16002	Bearing, Ball	89	161737	Pin, Roll	51
S-16069	Bearing, Ball	89	163654	Seal, O Ring	93
4851	Gear, Flywheel Ring	44	167157	Ball, Check	63
9226	Dowel, Flywheel Hsg	5, 35	168306	Screw, Slotted Set	13
43828-A	Clamp, Hose	53, 76	172648	Seal, Rectangular Ring	35
60408-L	Dowel, Pin	5	173086	Gasket, Injector	63
67211	Dowel, Rear Main Bearing	5	174299	Retainer, Screen	63
67684	Washer, Plain	43	175830	Plug, Expansion	5
			176027	Gasket	93
			176288	Tee, Female Adapter	41

## INDEX

Part No.	Description	Page No.	Part No.	Description	Page No.
181213	Elbow, Plain Adapter	41	205258	Ring, Retaining	89
181466	Washer, Lock	43	205269	Ring, Retaining	60
186780	Seal, Thermostat	85	205275	Screw, Twelve Point Cap	79
187556	Screw, Fillister Head	43	205288	Gasket, Wtr Trf Connection	83, 93
190397	Sleeve, Wear	3	205289	Gasket, Wtr Trf Connection	80, 93
191772	Screw, Twelve Point Cap	5, 76, 90	205298	Tube, Lub Oil Transfer	5
193736	Seal, O Ring	63	205301	Shaft, Cam Follower	15
194037	Socket, Rocker Lever	13	205345	Pin, Roll	17, 51
197032	Screw, Hexagon Head Cap	75	205346	Spring, Compression	51
200384	Bearing, Roller	30	205347	Plunger, Bypass Valve	51
200861	Washer, Plain	44	205348	Plunger, Pst Cooling Valve	51
201048	Gasket, Connection	65, 91	205350	Plug, Retainer	51
201049	Gasket, Connection	65, 91	205363	Washer, Spring	89
201737	Thermostat	85	205366	Dowel, Diamond	5
201989	Clamp, V Band	90	205375	Screw, Twelve Point Cap	29
202159	Screw, Twelve Point Cap	71	205393	Screw, Twelve Point Cap	13
203131	Nut, Heavy Hexagon	67	205394	Screw, Twelve Point Cap	13
203310	Washer, Plain	25	205401	Plug, Expansion	69
203426	Pin, Roll	63	205409	Screw, Hexagon Head Cap	35
203933	Plug, Expansion	13, 69	205438	Lockwire, Cam Roller Pin	15
205021	Cap, Main Bearing	5	205439	Ring, Retaining	15
205022	Cap, Main Bearing	5	205462	Link, Injector Plunger	18
205023	Cap, Main Bearing	5	205463	Adapter, Injector	63
205052	Shaft, Idler	17	205464	Spring, Compression	63
205057	Body, Lubricating Oil Pump	17	205479	Gasket, Cylinder	91, 92
205059	Washer, Plain	5, 22, 67	205498	Plug, Oil	89
205061	Gasket, Lub Oil Pump	17, 93	205791	Gasket, Scavenger Pump	93
205065	Shaft, Lub Pump Drive	17	205794	Gasket, Barring	93
205068	Pin, Cam Follower Roller	15	205827	Gasket, Barring	93
205071	Pin, Cam Follower Roller	15	205840	Bearing, Connecting Rod	60, 94
205075	Cap, Main Bearing	5	205841	Bearing, Connecting Rod	60, 94
205080	Plunger, Prs Regulator	17	205842	Bearing, Connecting Rod	60, 94
205091	Collet, Valve	69	205843	Bearing, Connecting Rod	60, 94
205093	Insert, Valve	69	205852	Seal, Grommet	67, 91, 91, 92
205094	Retainer, Valve Spring	69	205855	Seal, Grommet	67, 91, 91, 92
205112	Bearing, Thrust	11	205858	Seal, Grommet	67, 91, 91, 92
205115	Seal, Crevice	7	205898	Seal, O Ring	17, 93
205126	Washer, Plain	60	206202	Nut, Jam	25
205128	Washer, Plain	13	206217	Stud	27
205129	Dowel, Ring	70	206218	Stud	27
205133	Bushing	27	206224	Plug, Expansion	69
205140	Bearing, Main	11	206256	Plug, Threaded	79
205141	Bearing, Main	11	206277	Gasket, Intake Manifold	50, 91, 92
205142	Bearing, Main	11	206279	Gasket, Connection	75, 91, 92
205143	Bearing, Main	11	206343	Support, Front Engine	27
205150	Bearing, Main	11	206389	Cover, Starter Hole	71
205151	Bearing, Main	11	206394	Spacer, Starting Motor	71
205152	Bearing, Main	11	206395	Gasket, Starter	71
205153	Bearing, Main	11	206397	Bushing	44
205156	Bushing	89	206446	Gasket, Wtr Trf Connection	92
205160	Bearing, Main	11	206576	Gasket, Turbocharger	65, 76, 91, 92
205161	Bearing, Main	11	206881	Capscrew, Twelve Point	22
205162	Bearing, Main	11	206904	Key, Woodruff	11
205163	Bearing, Main	11	206943	Union, Adapter	76
205169	Guide, Valve Crosshead	69	206948	Seal, Oil	89
205170	Bearing, Main	11	206963	Adapter, Filter Head	89
205171	Bearing, Main	11	206964	Body, Water Pump	89
205172	Bearing, Main	11	206973	Gasket, Oil Cooler Core	79, 93
205173	Bearing, Main	11	206978	Seal, Rectangular	93
205186	Manifold, Exhaust	75	206996	Belt, V	25
205200	Pin, Piston	60	206998	Tube, Water Transfer	80
205208	Spring, Valve	69	207038	Seal, O Ring	91, 92
205216	Seal, O Ring	63	207056	Gasket, Aftercooler	93
205227	Plug, Expansion	15	207058	Gasket, Thermostat	93
205239	Seal, Rectangular Ring	35, 93	207075	Gasket, Flange	93
205241	Seal, Rectangular Strip	59	207079	Support, Fan	30
205247	Seal, O Ring	35, 93	207112	Flange, Weld	41

## INDEX

Part No.	Description	Page No.	Part No.	Description	Page No.
207117	Gasket, Air Compressor	41, 93	3006237	Sleeve, Wear	94
207135	Seal, Rectangular Ring	17, 93	3006485	Cover, Flywheel Housing	35
207175	Connection, Exhaust Outlet	90	3006696	Clamp, Injector	18
207226	Bushing	13	3006774	Bracket, Alternator	25
207233	Tube, Water Transfer	85	3007170	Spring, Piston Cool Vlv	51
207241	Valve, Intake	69	3007380	Gasket, Hydraulic Pump	47, 93
207244	Seal, Injector	18, 91, 92	3007386	Support, Water Pump	89
207245	Retainer, Injector Cup	63	3007441	Seal, O Ring	93
207248	Gear, Camshaft	61	3007517	Nozzle, Piston Cooling	5
207251	Gear, Water Pump	89	3007632	Plug, Expansion	5
207252	Gear, Lubricating Oil Pump	17	3007701	Connection, Water Inlet	83
207253	Gear, Accessory Drive	38	3007971	Bearing, Camshaft Thrust	61
207259	Gear, Crankshaft	11	3008403	Gasket, Oil Suc Connection	57, 93
207344	Bushing	13	3008466	Plug, Pipe	50, 89
207373	Cover, Camshaft	5, 61	3008468	Plug, Pipe	48, 57
207374	Baffle, Oil	35	3008469	Plug, Pipe	48, 89
207376	Gasket, Oil Drain	35	3008470	Plug, Pipe	5, 35, 51, 57
207378	Tube, Water Transfer	48	3008706	Screen, Filter	63
207442	Connection, Fuel Block	41	3009512	Support, Accessory Drive	38
207448	Seal, Grommet	67, 91, 91, 92	3009620	Spring, Engine Barring	27
207527	Screw, Twelve Point Cap	8	3009631	Cover, Camshaft	15, 37
208084	Rivet	13	3010181	Connection, Water Inlet	89
210029	Capscrew, Twelve Point	22	3010242	Gasket Set, Fuel Pump	94
212013	Head, Fuel Filter	33	3010247	Cover, Valve	21
213559	Socket, Cam Follower	15	3010396	Cover, Rocker Lever	21
215195	Hose, Flexible	76	3010510	Seal, O Ring	63
217322	Damper, Vibration	22	3010529	Connection, Water Inlet	89
219065	Baffle, Breather	21	3010595	Screw, Captive Washer Cap	33, 35, 53, 57, 83
219138	Nut, Regular Hexagon	76	3010596	Screw, Captive Washer Cap	25, 29, 33, 79, 80, 85, 89
553856	Gasket, Drain Plug	36	3010597	Screw, Captive Washer Cap	25, 85
3000175	Hub, Jaw Coupling	38	3010704	Tube, Water Transfer	89
3000204	Washer, Copper	57	3010915	Stud	76
3000266	Shaft, Shutoff Valve	43	3010918	Gasket, Thermostat Housing	85
3000508	Tube, Oil Gauge	52	3010933	Housing, Thermostat	85
3000528	Nut, Spring	21	3011046	Connection, Oil Suction	57
3000900	Clip	79	3011076	Seal, D Ring	7
3001196	Bearing, Thrust	11	3011298	Tube, Water Bypass	79
3001197	Bearing, Thrust	11	3011389	Pump, Water	89
3001275	Hub, Fan	30	3011693	Plate, Cover	50
3001318	Gasket, Gear Cover	93	3011716	Screw, Captive Washer Cap	53
3001340	Seal, O Ring	41, 91, 92	3012467	Washer, Plain	30
3001404	Screw, Hexagon Head Cap	75	3012470	Screw, Captive Washer Cap	86
3001405	Lockplate	75	3012472	Screw, Captive Washer Cap	47
3001658	Seal, Injector	18	3012473	Screw, Captive Washer Cap	75
3001659	Seal, Injector	18	3012474	Screw, Captive Washer Cap	89
3001660	Seal, Injector	18	3012475	Screw, Captive Washer Cap	59
3001663	Guide, Valve Spring	69	3012476	Screw, Captive Washer Cap	29, 89
3001811	Screw, Twelve Point Cap	41	3012478	Screw, Captive Washer Cap	41, 59, 75, 79
3002150	Seal, Ferrule	41, 91	3012481	Screw, Captive Washer Cap	59
3002158	Plug, Pipe	69	3013265	Screw, Connecting Rod Cap	60
3002330	Gasket, Seal Retainer	93	3013786	Plug, Pipe	41, 51, 59
3002331	Pulley, Alternator	2	3014103	Washer, Plain	38
3002494	Cover, Hand Hole	53	3014226	Shim	7
3002834	Bushing	5	3014227	Shim	7
3002886	Screw, Cam Follower Shaft	15	3014228	Shim	7
3002993	Dowel, Ring	15	3014229	Shim	7
3003123	Insert, Pump Drive	47	3014230	Shim	7
3003536	Coupling, Elbow Hose	76	3014304	Seal, Rectangular Ring	50, 91
3003933	Cup, Injector	63	3014668	Seal, D Ring	7
3004684	Gear, Bushing Cam Idler	8	3014695	Pulley, Accessory Drive	3
3004685	Gear, Bushing Wtr Pump Id	8	3014766	Screw, Captive Washer Cap	5, 27, 41, 61
3004686	Bushing	8	3015067	Seal, O Ring	5, 93
3005357	Crankshaft	11	3015239	Set, Single Head Gsk.	92, 94
3005594	Washer, Plain	89	3015283	Screw, Captive Washer Cap	79
3005885	Seal, Rear Crank	93			
3005886	Seal, Oil	35			
3006236	Sleeve, Wear	94			

## INDEX

Part No.	Description	Page No.	Part No.	Description	Page No.
3015525	Ring, Retaining	27	3034721	Retainer, Shaft	89
3015866	Flywheel	44	3035110	Valve, Exhaust	69
3016140	Connection, Air Crossover	75	3035346	Valve, Shutoff	43
3016142	Hose, Plain	75	3035624	Screw, Captive Washer Cap	59
3016675	Injector	63	3036027	Bracket, Filter	33
3016721	Housing, Thermostat	85	3036096	Brace, Water Pump	89
3016734	Drive Accessory	38	3036805	Housing, Flywheel	35
3016788	Seal, Oil	27, 93	3037282	Gasket, Cover Plate	27, 93
3016789	Seal, Oil	30, 93	3037292	Barrel & Plunger	63
3016792	Seal, Oil	27, 93	3039163	Lever, Cam Follower	15
3016794	Seal, Oil	27	3039164	Lever, Cam Follower	15
3016825	Roller, Cam Follower	15	3040720	Gasket, Rocker Lever Cover	21, 91, 92
3016826	Roller, Cam Follower	15	3040721	Gasket, Cam Fol Housing	15, 92, 93
3017318	Cover, Gear	27	3040722	Gasket, Camshaft Cover	5, 61, 93
3017346	Washer, Plain	47	3040832	Shaft, Water Pump	89
3017961	Rod, Push	15	3040837	Screw, Captive Washer Cap	15
3018914	Guide, Barring Shaft	27	3040838	Screw, Captive Washer Cap	15, 30, 51, 57, 79
3018924	Wire, Ground	72			
3019152	Gear, Engine Barring	27	3042586	Gasket, Hand Hole	53, 93
3019153	Shaft, Barring	27	3042587	Gasket, Oil Pan Adapter	59
3019961	Nut, Plug	27	3042588	Gasket, Oil Pan	93
3021038	Motor, Starting	72	3042590	Gasket, Oil Pan	59, 93
3021465	Seal, Grommet	67	3042612	Gasket, Fan Hub	30, 93
3021466	Seal, Grommet	67	3042827	Shaft, Water Pump	89
3021467	Seal, Grommet	67	3042889	Screw, Captive Washer Cap	79
3021468	Seal, Grommet	67	3042890	Screw, Captive Washer Cap	30, 79
3021977	Idle Spring Pack	39	3043097	Gasket, Exhaust Manifold	75, 91, 92
3022920	Pump, Water	89	3043909	Bushing	60
3023066	Seal, O Ring	65, 91, 92	3043911	Rod, Engine Connecting	60
3023129	Seal, Dust	65	3044413	Screw, Captive Washer Cap	21, 38
3024169	Spring, Torsion	81	3044523	Plate, Gear Cover	27
3024726	Kit, Liner	7, 94	3044762	Gasket, Gear Cover	29
3025451	Ring, Oil Piston	60	3045136	Washer, Plain	38
3025458	Plug, Pipe	5, 43, 51	3045137	Screw, Hexagon Head Cap	38
3025460	Plug, Pipe	5, 27, 38, 41, 59	3045229	Shaft, Accessory Drive	38
			3046200	Spider, Jaw Coupling	41
3025482	Screw, Twelve Point Cap	5	3046201	Seal, O Ring	53, 59
3025885	Shaft, Water Pump	89	3046202	Plug, Threaded	27, 53, 59
3026296	Insert, Valve	69	3046227	Ring, Compression Piston	60
3026421	Seal, O Ring	92	3046869	Plug, Threaded	57
3026556	Bearing, Thrust	89	3046942	Plug, Threaded	57
3026595	Ring, Compression Piston	60	3046943	Seal, O Ring	57
3028291	Seal, O Ring	48, 80, 85, 91, 92, 93	3047548	Cover, Lub Oil Pump	17
			3047549	Pump, Lubricating Oil	17
3028324	Valve, Check	41	3048296	Lever, Throttle	81
3028325	Valve, Check	41	3048341	Gasket, Fuel Pump	41
3028347	Barrel Plug Assembly	39	3048620	Crosshead, Valve	67
3028430	Kit, Liner	7, 94	3049543	Gear, Lubricating Oil Pump	17
3028431	Kit, Liner	7, 94	3053476	Lever, Rocker	13
3028432	Kit, Liner	7, 94	3053477	Lever, Rocker	13
3028433	Kit, Liner	7, 94	3053478	Lever, Rocker	13
3028434	Kit, Liner	7, 94	3056476	Impeller, Water Pump	89
3029820	Seal, O Ring	51, 93	3057139	Rod, Push	15
3030267	Fuel Pump Front Cover	39	3059831	Plug, Drive	27
3030970	Disc, Valve	43	3060545	Block, Cylinder	5
3031007	Gasket, Starter	71	3060695	Fuel Pump Housing	39
3031404	Connector, Tube	41	3060703	Assembly, Fuel Pump	39
3032633	Screw, Twelve Point Cap	5, 67	3060912	Gasket, Connection	79, 86
3032697	Screw, Crosshead Adjusting	67	3061003	Connection, Water Outlet	86
3032872	Union, Male	41	3062415	Spring, Compression	17
3033023	Elbow, Male Union	41	3062493	Gasket, Cylinder Head	67
3033024	Elbow, Male Union	41	3064700	Plate, Clamping	57
3033038	Screw, Captive Washer Cap	38, 59, 79	3064701	Plate, Clamping	57
3033677	Seal, Water Pump	89	3064724	Dipstick	54
3033822	Screw, Captive Washer Cap	5	3065684	Tube, Oil Gauge	52
3034217	Fuel Pump Gear Assembly	39	3065723	Screw, Captive Washer Cap	59
3034578	Adapter, Filter Head	51	3065790	Gasket, Lub Oil Clr Hsg	93

## INDEX

Part No.	Description	Page No.	Part No.	Description	Page No.
3065791	Gasket, Tor Cnv Oil Cooler	79, 93	3202153	Adapter, Oil Pan	57
3065950	Screw, Captive Washer Cap	21	3202155	Manifold, Air Intake	48
3066528	Pulley, Alternator	25	3202172	Screw, Hexagon Head Cap	75
3066877	Camshaft	61	3202173	Manifold, Exhaust	75
3068402	Head, Cylinder	69	3202193	Housing, Rocker Lever	70
3069103	Gasket, Fuel Pump	93	3202196	Housing, Rocker Lever	70
3069844	Strip, Rectangular	93	3202206	Nut, Lock	30
3070789	Gasket, Rocker Lever	91, 92	3202210	Guide, Valve Stem	69
3070961	Screw, Hexagon Head Cap	18	3202217	Housing, Oil Cooler	79
3176773	Shaft, Rocker Lever	13	3202259	Gasket, Adapter	57, 93
3177412	Gasket, Cylinder Head	67, 91, 92	3202283	Gasket, Water Pump	89, 93
3179027	Gasket, Connection	92	3203694	Adapter, Crankshaft	22
3200069	Bracket, Check Valve	41	3251706	Screw, Head Locking	44
3200070	Brkt Check Vlv	41	3279794	Seal, O Ring	43
3200103	Tube, Fuel Supply	41	3315847	Filter, Fuel	33
3200178	Tube, Tur Oil Drain	76	3318319	Resistor, Corrosion	82
3200211	Connection, Water Outlet	80	3502449	Seal, Rectangular Ring	65
3200273	Tube, Tur Oil Supply	76	3503335	Nut, Regular Hexagon	65
3200287	Seal, Keyway	3, 93	3504967	Washer, Plain	65
3200386	Clamp, Tube	41	3519535	Nut, Lock	65
3200387	Clamp, Tube	41	3519623	Collar, Thrust	65
3200405	Tube, Fuel Supply	41	3519627	Bearing, Turbocharger	65
3200414	Bracket, Oil Tube	37	3519641	Ring, Retaining	65
3200425	Tube, Fuel Drain	41	3519783	Shield, Turbocharger Heat	65
3200550	Gasket, Lub Oil Clr Hsg	79	3521033	Shaft & Wheel	65
3200630	Support, Thm Housing	48	3521174	Housing, Turbine	65
3200642	Plate, Clamping	27	3521225	Screw, Hexagon Head Set	65
3200706	Clip	57	3521442	Seal, Split Ring	65
3200707	Brace, Tube	57	3522631	Clamp, V Band	65
3200772	Washer, Plain	8, 47	3522904	Lockplate	65
3200934	Plug, Retainer	17	3523306	Bearing, Tur Thrust	65
3200965	Lube Oil Filter Head	51	3523412	Seal, Split Ring	65
3200968	Plug, Threaded	89	3523429	Housing, Tur Bearing	65
3200977	Gasket, Lub Oil Fil Cover	51, 93	3523980	Slinger, Oil	65
3200988	Cover, Lub Oil Cooler	79	3524418	Shim	65
3201060	Cover, Hand Hole	53	3524419	Baffle, Oil	65
3201082	Crankshaft, Engine	11	3524862	Diffuser, Turbocharger	65
3201115	Tube, Fuel Supply	41	3525073	Screw, Hexagon Head Set	65
3201125	Seal, O Ring	27, 51, 93	3525504	Kit, Turbo	65
3201128	Nut, Regular Hexagon	29	3801004	Set, Upper Engine Gasket	91, 94
3201155	Cooler, Engine Cast	79	3801006	Gasket Set, Engine	93, 94
3201185	Link, Adjusting	25	3801195	Shaft, Wtr Pump	89
3201186	Link, Adjusting	25	3803015	Kit, Turbo	65
3201187	Link, Adjusting	25	3803153	Kit W.P. Repair (Major)	94
3201188	Link, Adjusting	25	3803257	Hc-5a Bearing/seal Kit	65, 94
3201287	Clip	79	3803315	Kit, Engine Piston	60, 94
3201388	Gasket, Flange	50, 93	3803472	Set, Piston Ring	60, 94
3201517	Gasket, Rkr Lever Housing	13	3818849	Shaft, Shutoff Valve	89
3201583	Plug, Threaded	51	3818885	Seal, O Ring	89, 92
3201609	Cover, Hyd Pump Flange	47	3913994	Seal, O Ring	93
3201614	Spacer, Mounting	41	3919601	Gasket, Acc Drive Cover	93
3201693	Gasket, Acc Drive Suppt.	38, 93			
3201737	Tube, Fuel Drain	41			
3201749	Gear & Shaft	30			
3201750	Hub, Fan	30			
3201759	Screw, Hexagon Head Cap	36			
3201783	Gasket, Water	93			
3201785	Core, Cooler	79			
3201850	Gasket, Air Compressor	93			
3201884	Plate, Cover	79			
3201982	Connector, Male	89			
3201983	Elbow, Male Adapter	89			
3201995	Cover, Oil Pan Adapter	57			
3202101	Plug, Threaded	79			
3202114	Shaft, Idler	5, 8			
3202117	Gasket, Connection	76			
3202152	Pan, Oil	57			



# KT19 Parts Catalog

VME  
L270  
L270B

