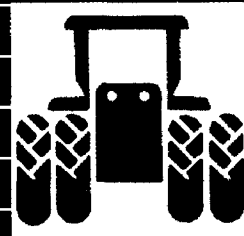
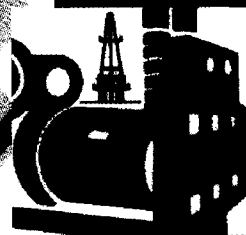
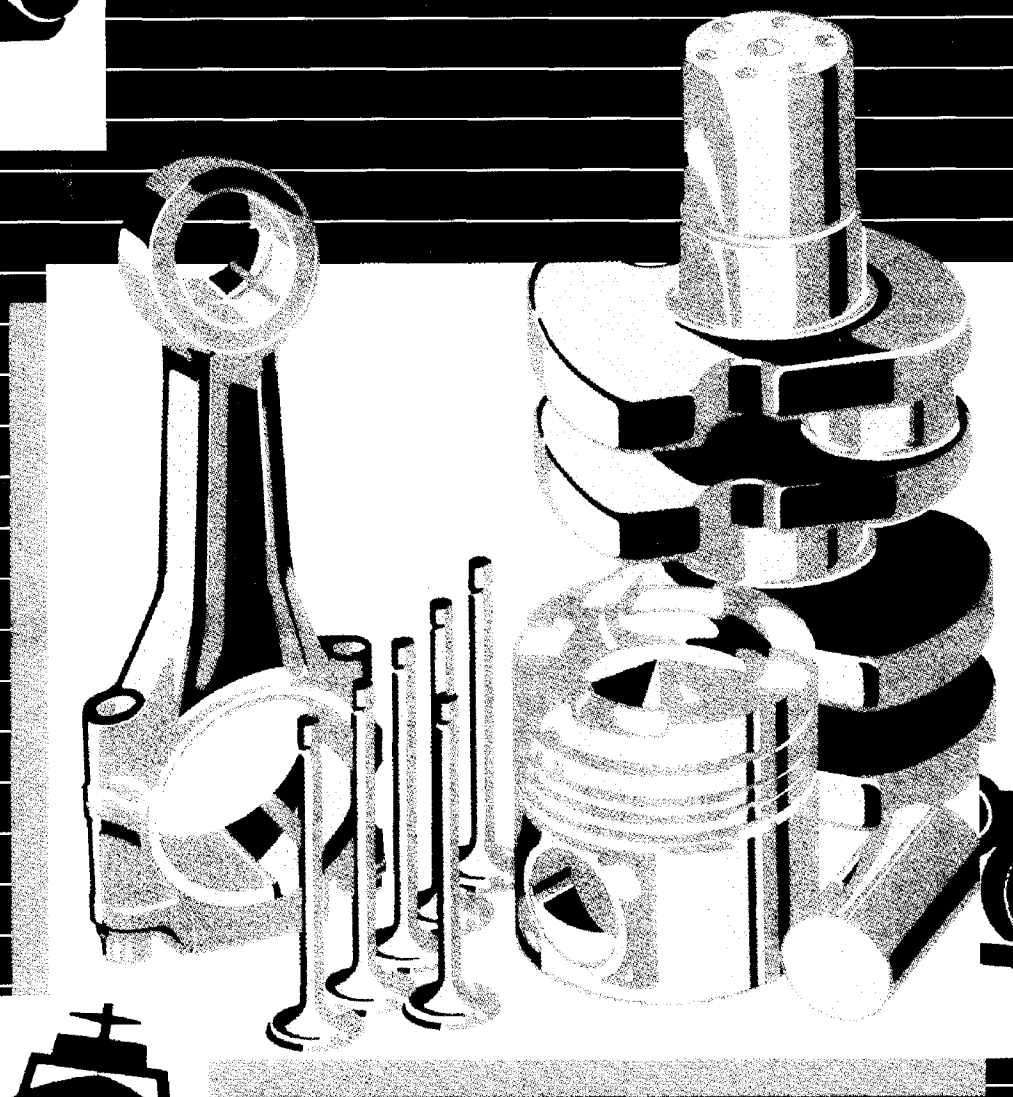
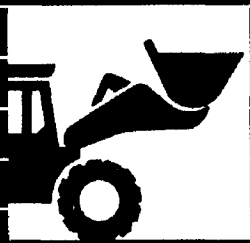




# Parts Catalog

## KTA50-G3/G8/G9

Generator Drive

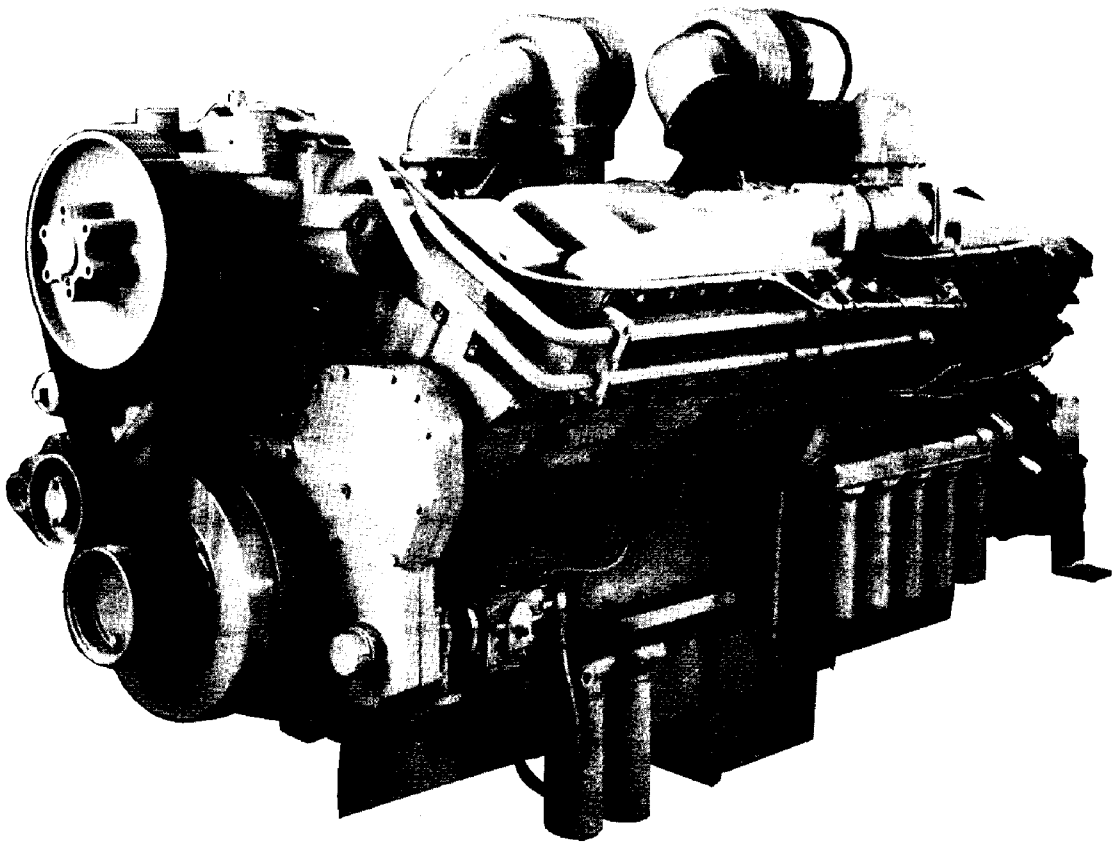




## Parts Catalog

# KTA50-G3/G8/G9

Generator Drive





# Cummins Engine Co., Inc.

## New Parts Warranty Heavy Duty

### COVERAGE

#### PRODUCTS WARRANTED

These warranties apply to New Parts marketed by Cummins for its engines (except those for A, B, and C series engines). They apply anywhere in the world where service is available through a Cummins distributor or full service dealer.\*

#### BASE WARRANTY

The Base Warranty covers any failures of parts on or after March 31, 1986, which result, under normal use and service, from defects in workmanship or material (Warrantable Failures). The coverage on cylinder kits designated by Cummins as "Premium Plus" extends two years, 200,000 miles (321,870 kilometers) or 7,200 hours of operation, whichever occurs first, from the date of first installation. The coverage on other parts extends one year, 100,000 miles (160,935 kilometers) or 3,600 hours of operation, whichever occurs first, from the date of first installation.

#### EXTENDED MAJOR COMPONENTS WARRANTY

The Extended Major Components Warranty covers Warrantable Failures on or after March 31, 1986, of engine cylinder blocks, crankshafts, flangeless NT camshafts\*\* and connecting rods (Covered Parts). Bushing and bearing failures are not included. This coverage begins with the expiration of the Base Warranty and ends three years, 300,000 miles (482,805 kilometers) or 10,800 hours of operation, whichever occurs first, from the date of first installation.

Both the Base Warranty and Extended Major Components Warranty apply to all Owners in the chain of distribution, and coverage continues to all subsequent Owners until the end of the respective periods of coverage.

### CUMMINS RESPONSIBILITIES

#### DURING THE BASE WARRANTY

Cummins will pay for all parts and labor needed to repair the damage to the engine resulting from the Warrantable Failure. All labor costs will be paid in accordance with Cummins published Standard Repair Operation guidelines.

Cummins will pay for the lubricating oil, antifreeze, filter elements, and other maintenance items that are not reusable due to the Warrantable Failure.

Cummins will pay reasonable labor costs for engine removal and reinstallation when necessary to make the warranty repair.

When the parts are installed in a non-automotive engine, Cummins will pay reasonable travel expenses for mechanics to and from the engine site, or the repair dock in the case of a marine engine, including meals, mileage and lodging when it is necessary for mechanics to make on-site warranty repairs.

#### DURING THE EXTENDED MAJOR COMPONENTS WARRANTY

Cummins will pay for the Covered Part and for any Covered Part damaged by a Warrantable Failure of another Covered Part.

### OWNER RESPONSIBILITIES

#### DURING THE BASE WARRANTY

Before expiration of the warranty, Owner must give notice to a Cummins distributor or full service dealer\* of a failure considered to be warrantable and have the repair performed by such facility.

If the part was installed in an automotive engine, the Owner must deliver the engine to the repair location. If installed in a marine engine, Owner is responsible for the cost of towing the boat to a repair dock and for any associated docking and harbor charges.

Owner is responsible for the cost of lubricating oil, antifreeze, filter elements and other maintenance items replaced during warranty repairs except where such items are not reusable due to a Warrantable Failure.

#### DURING THE EXTENDED MAJOR COMPONENTS WARRANTY

Before expiration of the warranty, Owner must give notice to a Cummins distributor or full service dealer\* of a failure considered to be warrantable and deliver the defective and damaged Covered Parts to such facility.

Owner is responsible for the cost of all parts needed for the repair except for the defective Covered Part and for any Covered Part damaged by a Warrantable Failure of another Covered Part.

Owner is responsible for the cost of all labor needed to repair the engine, including the labor to remove and reinstall the engine. When Cummins elects to repair a part instead of replacing it, Owner is not responsible for the labor needed to repair the part.

Owner is responsible for the cost of lubricating oil, antifreeze, filter elements and other maintenance items replaced during the repair.

#### DURING BOTH WARRANTIES

At the time when the parts are installed, Owner is responsible for the preparation of a written record containing the following: (1) the date of installation of the parts; (2) the engine serial number; (3) the engine miles, hours or kilometers of operation; (4) the parts installed, and (5) the location of the parts in the engine. The purpose of this record is to protect Owner's interests and support any claim for a Warrantable Failure.

Owner is responsible for the operation and maintenance of the engine as specified in Cummins Operation and Maintenance Manuals.

Owner is responsible for communication expenses, meals, lodging and similar costs incurred by Owner as a result of a Warrantable Failure. Owner is responsible for non-engine repairs and for "down time" expenses, cargo damage and all business costs and losses resulting from a Warrantable Failure. CUMMINS IS NOT RESPONSIBLE FOR INCIDENTAL OR CONSEQUENTIAL DAMAGES.

### LIMITATIONS

Cummins is not responsible for failures resulting from Owner or Operator abuse or neglect, such as: operation without adequate coolant, fuel or lubricants; overfueling; overspeeding; lack of maintenance of lubricating, cooling or air intake systems; improper storage, starting, warm-up, run-in or shutdown practices. Cummins is also not responsible for failures caused by incorrect fuel, or by water, dirt or other contaminants in the fuel.

Cummins does not warrant parts supplied by Cummins which bear the name of another company. These parts are warranted by their manufacturers and not by Cummins. This category of parts includes, but is not limited to: hydraulic pumps, alternators, starters, fans, air conditioning compressors, clutches, steering pumps, transmissions, torque converters, marine gears, air cleaners, filters and non-Cummins air compressors, power steering pumps, and engine compression brakes.

Parts provided may be new Cummins, Cummins approved rebuilt parts, or repaired parts. Cummins is not responsible for failures resulting from the use of parts not approved by Cummins.

Before a claim for excessive oil consumption will be considered, Owner must submit adequate documentation to show that consumption exceeds Cummins published standards.

This warranty does not apply to parts furnished by Cummins at no charge to the Owner.

**INVEST IN THE BEST**

## Product Identification Information

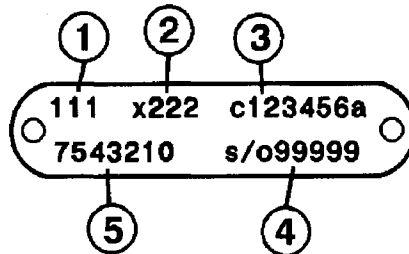
Data plates should be referred for parts identification.

### 1. ENGINE DATA PLATE

③ — Engine No.	S.O. No. <span style="float: right;">①</span>
② — Model	Ref. No.
Advertised	Engine   C.I.D.   Family   C.P.L. <span style="float: right;">④</span>
Conf. No.	Cert Indent.
Date of mfg.	Warranty start date
Manufactured by Cummins Engine Co.	

1. Shop order number
2. Model designation
3. Engine serial number
4. Control parts list

### 2. FUEL PUMP DATA PLATE



1. Control parts list number
2. Calibration code
3. Serial number
4. Top level number
5. Fuel pump assembly number

**This catalog was compiled by Garry Wilber in Parts Communications.**

## Customer Service Information

This standard Parts Catalog contains parts information for the following Cummins Engine Model(s):

KTA50-G3  
KTA50-G8/G9

D283021DX02  
D283022DX02

CPL 2227  
CPL 2354, 2355

Certain basic engine components have been matched to give optimum performance to your engine. The part numbers listed in this catalog for these components are for a standard engine configuration. When ordering any of the Control Parts List (CPL) components listed below, please order by part description and engine serial number. Reference to the CPL number stamped on the engine data (name) plate will also help identify the proper service parts for your engine.

### Control Parts List (CPL) Components

Aftercooler	Page 132, 162	Piston, engine	Page 137, 173
Camshaft	Page 117, 143	Turbocharger	Page 131, 161, 171
Cylinder Head	Page 115, 141	Exhaust, manifold	Page 191
Injector	Page 119, 145		

### USER INFORMATION

- . Parts numbers appearing in ( ) are for identification purposes only and should not be used when ordering service replacement parts.
- . The reference numbers appearing on the art pages is for publication use only.
- . Assembly content is shown by part number indentation.
- . Options are engineered production part groupings, specifically used for compiling engine orders.
- . Option numbers are for reference only and are not sold for service.
- . Use assembly and not option content to determine service parts replacement.

### ALWAYS SPECIFY ENGINE MODEL AND SERIAL NUMBER WHEN ORDERING PARTS FROM THIS CATALOG

Engine Model \_\_\_\_\_ Engine Serial No. \_\_\_\_\_

MFG Make \_\_\_\_\_ Model \_\_\_\_\_ Chassis No. \_\_\_\_\_

Fuel Pump Assembly No. \_\_\_\_\_ Injector No. \_\_\_\_\_

Belt, Fan \_\_\_\_\_ Belt, Water Pump \_\_\_\_\_ Belt, Gen. \_\_\_\_\_

Element, Fuel Filter \_\_\_\_\_ Full Flow Lub. Filter \_\_\_\_\_

Air Cleaner \_\_\_\_\_ By-Pass Lub. Filter \_\_\_\_\_

Special Equipment

\_\_\_\_\_

\_\_\_\_\_

\_\_\_\_\_

## Product Identification Information

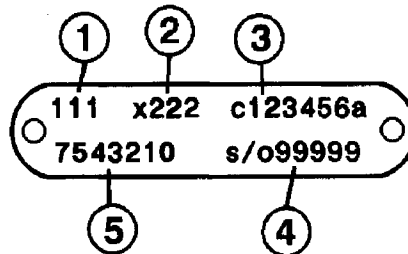
Data plates should be referred for parts identification.

### 1. ENGINE DATA PLATE

③	Engine No.	S.O. No.	
	Model	Ref. No.	
②	Advertised	Engine Cert	④
	Conf. No.	Indent.	
	Date of mfg.	Warranty start date	
Manufactured by Cummins Engine Co.			

1. Shop order number
2. Model designation
3. Engine serial number
4. Control parts list

### 2. FUEL PUMP DATA PLATE

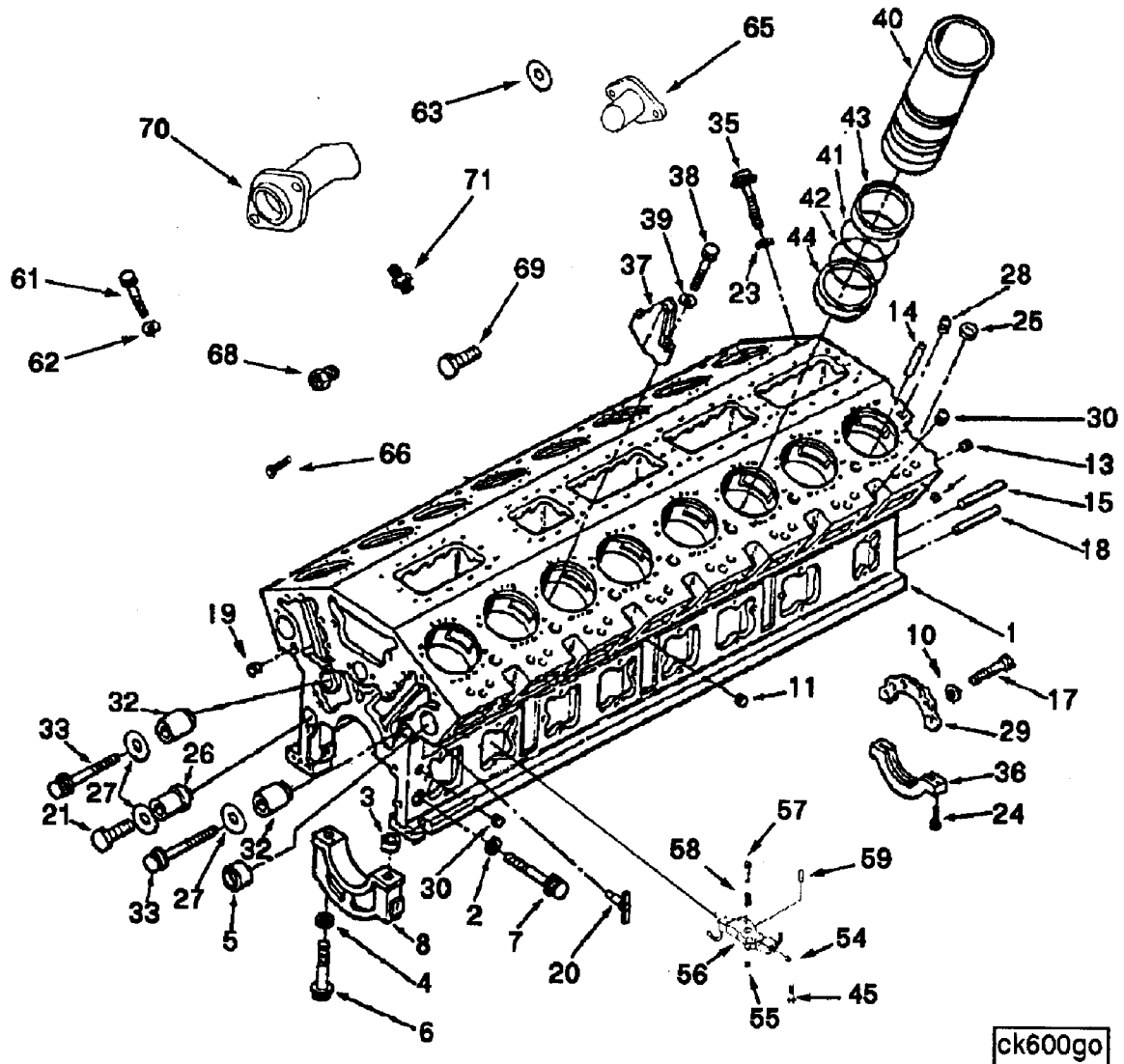


1. Control parts list number
2. Calibration code
3. Serial number
4. Top level number
5. Fuel pump assembly number

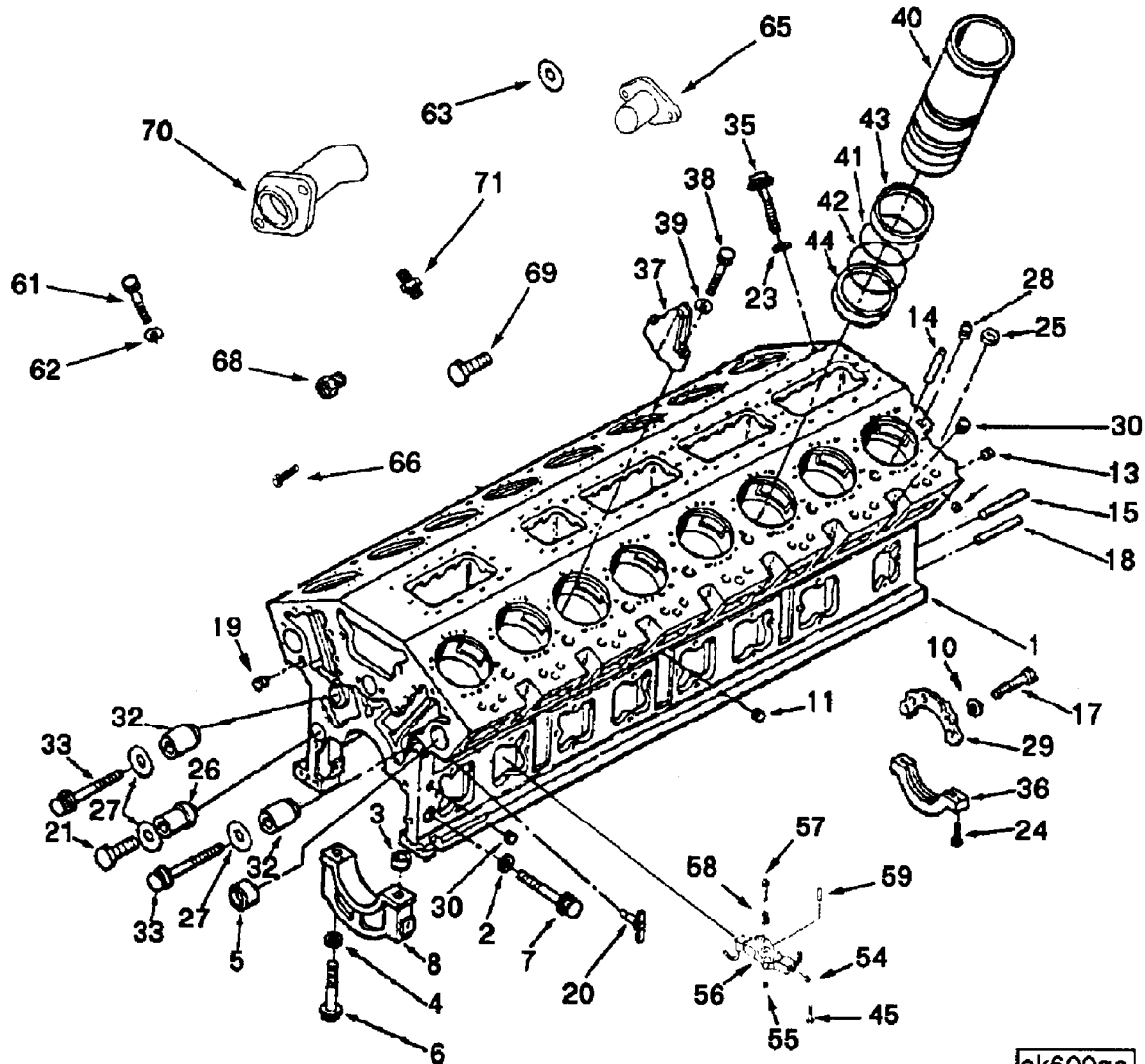
**This catalog was compiled by Garry Wilber in Parts Communications.**

## Table of Contents

	Page No.		Page No.
Accessory Drive Covers .....	88	Lubricating Oil Pump .....	17
Accessory Drive Pulley .....	175	Magnetic Pickup .....	60
Actuator, Etr Fuel Control .....	75	Magnetic Switch .....	41
Aftercooler Core .....	132, 162	Main Bearing Shell .....	7
Alternator .....	38	Oil Pan .....	107, 109
Alternator Mounting .....	37	Oil Pressure Switch .....	35
Breather Mounting .....	100	Oil Transfer Connection .....	96
Bypass Oil Filter .....	103, 104	Oversize Head Gasket .....	113
Cam Follower & Cover .....	13	Piston, Pin, And Rings .....	137, 173
Camshaft & Gear - Left .....	117, 143	Plumbing, Aftercooler .....	135, 165
Camshaft & Gear - Right .....	117, 143	Pump, Gear Fuel .....	76
Connecting Rod .....	137, 173	Rear Camshaft Cover .....	8
Connection, Oil Supply .....	153	Rear Engine Support .....	176
Connection, Oil Transfer .....	127	Restriction Indicator .....	30
Conn, LB Oil Control .....	155	Rocker Housing .....	116, 142
Conn, RB Oil Control .....	157	Rocker Lever & Cover .....	11
Coolant Temperature Switch .....	34	Shipping Bracket .....	22
Corrosion Resistor .....	181	Starter .....	177
Cover, Fuel Pump Front .....	73	Starter Mounting .....	178
Crankshaft .....	26	STC Oil Manifold .....	121, 123, 147
Cummins EFC Governor .....	61, 63	STC Valve .....	125, 149
Cummins Electronic Fuel Control Governor .....	66	STC Valve Mounting .....	126, 150
Cylinder Block .....	3, 5	Tappet .....	120, 146, 168
Cylinder Head .....	115, 141	Turbo Oil Supply Hose .....	20
Cylinder Head Mounting .....	113, 139	Turbocharger .....	131, 161, 171
Damper, Fuel Pump & MTG. ....	74	Vibration Damper .....	33
Engine Barring Drive .....	21	Water Header .....	128, 158
Exhaust Elbow .....	192	Water Inlet Connection .....	183
Exhaust Manifold .....	191	Water Outlet Connection .....	187, 189
Fan Drive Arrangement .....	43, 45, 47	Water Pump .....	19
Fill & Breather .....	99	Water Transfer Tubes .....	185
Flywheel .....	84, 87	Option Number Index .....	A-1
Flywheel Housing .....	59	Part Number Index .....	B-1
Front Engine Support .....	39		
Fuel Block .....	79		
Fuel Filter .....	53, 55		
Fuel Filter Plumbing .....	56		
Fuel Manifold .....	25, 29		
Fuel Pump .....	67		
Fuel Pump Support .....	65		
Fuel Tubing .....	81		
Fuel Valve .....	83		
Gear Cover Mounting .....	48, 49, 51		
Housing, Fuel Pump .....	69, 71		
Injector .....	119, 145, 167		
Injector Mounting .....	14		
Intake Manifold .....	91, 93		
Lub Oil Pump Tubing .....	111		
Lubricating Oil Cooler .....	15		
Lubricating Oil Filter .....	95		

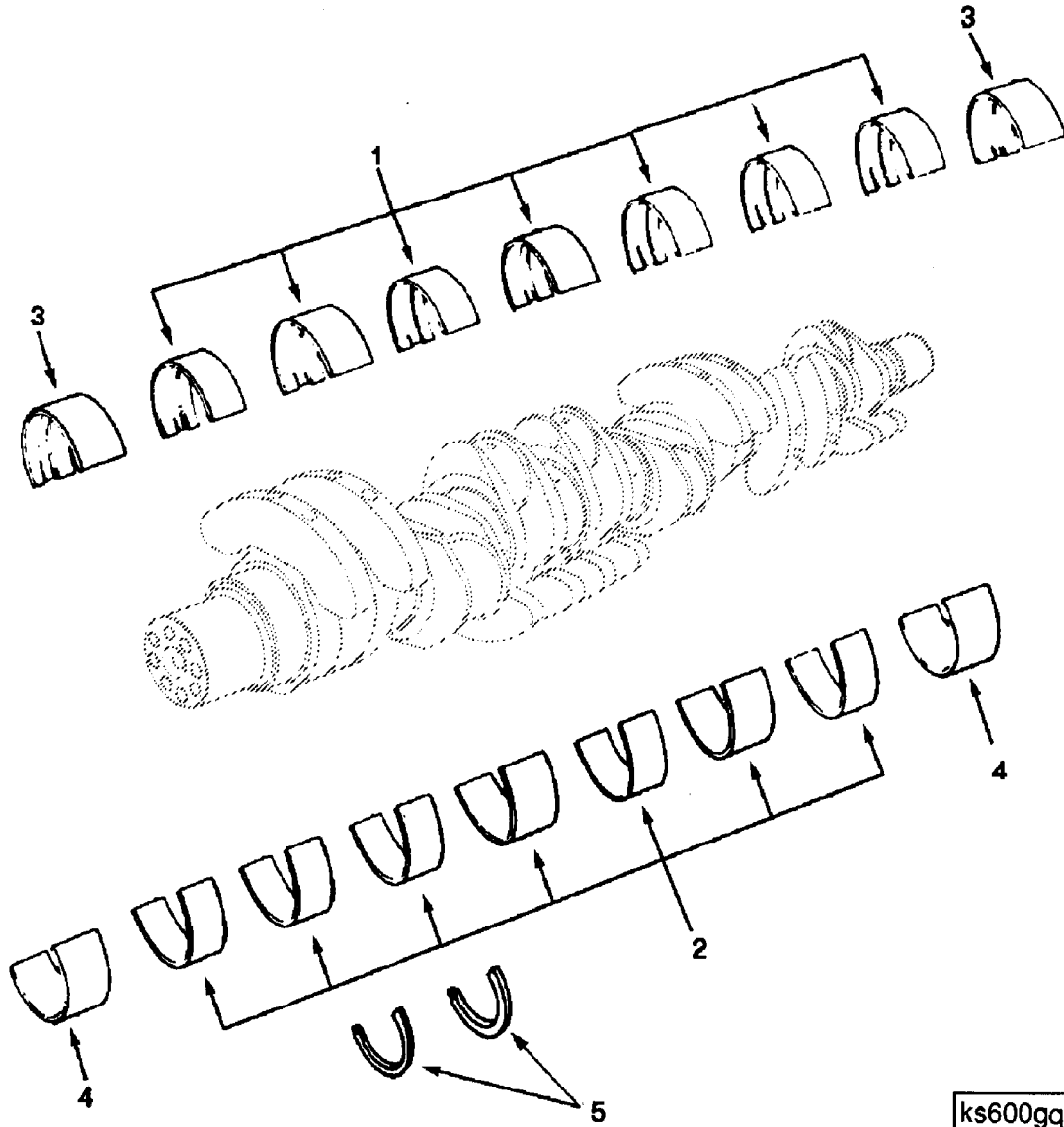


Ref No.	Part Number	Part Name	Req	Remarks
		<b>CYLINDER BLOCK OPTION BP6089</b>		Base Parts for single stage KTA50-G3/G6/G7 with non-LTA K2000 technology. Includes: K-50 water pump STC stepped timing control ORS hoses for STC and turbo supply.
		<b>CYLINDER BLOCK OPTION BP6103</b>		Base parts for single stage KTA50-G5/G6 Ta-luft ratings includes: K-50 water pump STC stepped timing control wide camshaft rollers.
	3178803	Block, Cylinder	1	
1	(3178910)	Block, Cylinder	1	
2	139990	Washer, Plain	18	3/4 inch
3	3176857	Dowel, Ring	9	
4	3025485	Washer, Plain	18	
5	205230	Bushing	34	
6	3628452	Screw, Hexagon Head Cap	18	1-14x9.25 inch
7	205584	Screw, Twelve Point Cap	18	3/4 - 10 X 2 1/4 inch
8	206587	Cap, Main Bearing	7	2,3,4,5,6,7,8
8	206588	Cap, Main Bearing	2	1,9
10	S-610	Washer, Lock	6	
11	3628608	Plug, Pipe	4	
13	3628607	Plug, Pipe	1	
14	68445	Pin, Groove	32	
15	70662	Dowel, Pin	2	
17	106069	Screw, Hexagon Head Cap	6	7/16-14x2 inch
18	148582	Dowel, Pin	2	
19	3629168	Plug, Expansion	12	
20	3629497	Draincock	3	
25	206224	Plug, Expansion	21	
28	206742	Plug, Expansion	16	
29	3000138	Support, Bearing	1	
30	3628605	Plug, Pipe	18	
31	3002993	Dowel, Ring	32	
36	3175281	Support, Bearing	1	
66	3176649	Seal, Tamper Proof	16	
68	S-955	Bushing, Reducing Pipe	1	
21	3177443	Screw, Hex Flange Head Cap	1	5/8 - 18 X 4 1/2 inch
23	205059	Washer, Plain	96	
24	205199	Screw, Twelve Point Cap	2	3/8-16x3.5 inch
26	3178450	Shaft, Idler	1	
27	3178457	Washer, Plain	3	5/8 inch
32	3033853	Shaft, Idler	2	
33	3177945	Screw, Hex Flange Head Cap	2	5/8-18x3.75 inch
35	3032633	Screw, Twelve Point Cap	96	3/4 - 16 X 8 inch
37	205684	Bracket, Lifting	4	
38	206028	Screw, Socket Head Cap	4	3/4 - 10 X 2 1/4 inch
39	205059	Washer, Plain	4	3/4 inch
		Continued On Next Page...		



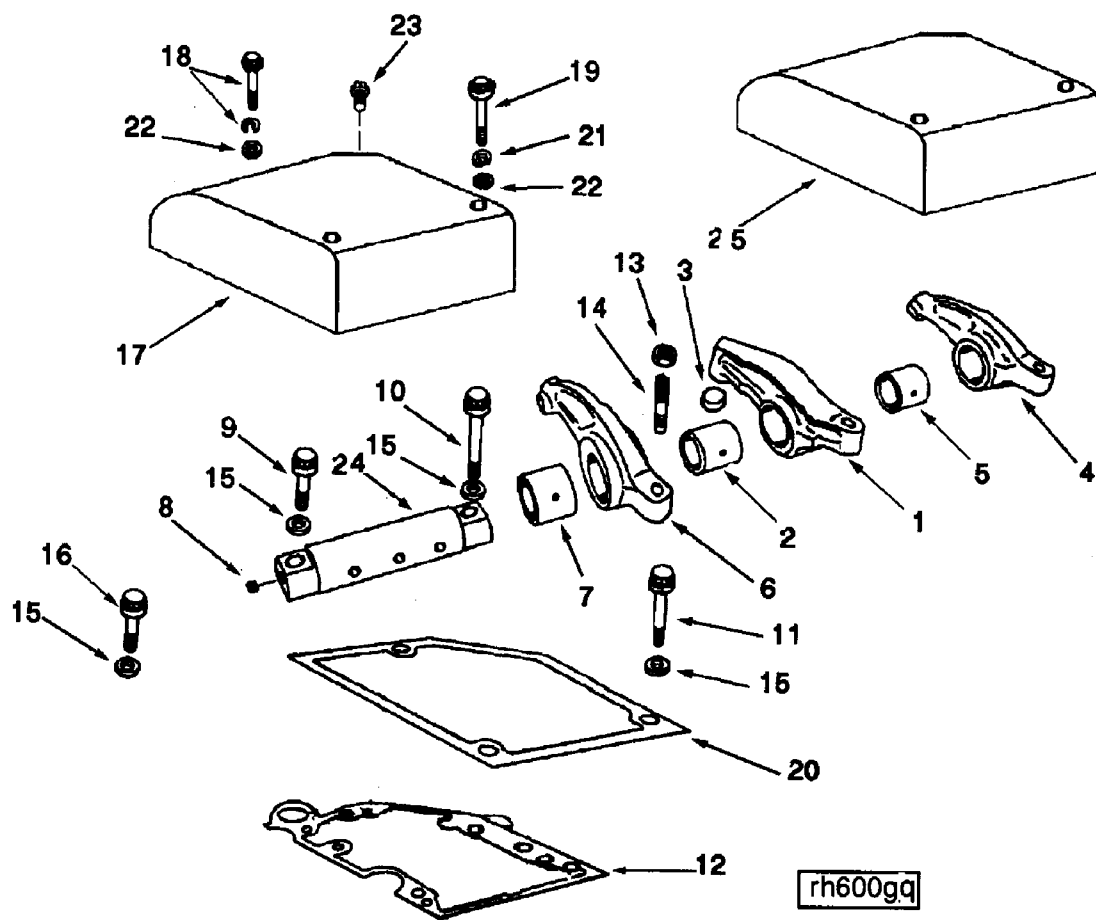
ck600go

Ref No.	Part Number	Part Name	Req	Remarks
		<b>CYLINDER BLOCK</b>		
		<b>OPTION BP6089</b>		
		<b>OPTION BP6103</b>		
61	S-112	Screw, Hexagon Head Cap	12	3/8 - 16 x 1 inch
62	S-604	Washer, Lock	12	3/8 inch
63	3177556	Seal, Rectangular Ring	6	
65	3178464	Plate, Cover	2	
69	S-186	Screw, Hexagon Head Cap	16	5/16 - 24 x 1 inch
70	3178466	Connection, Water Transfer	4	
71	3178534	Nipple, Reducing Hexagon	1	
	3007525	Kit, Liner	16	
40	(3022157)	Liner, Cylinder	1	
41	3014668	Seal, D Ring	1	Bottom
42	3011076	Seal, D Ring	1	Top
44	3081489	Seal, Oil	1	
43	3011884	Insert, Liner	1	
	3019150	Insert, Liner	A/R	.002 Inch O/S
	3021148	Insert, Liner	A/R	.004 Inch O/S
		<b>CYLINDER LINER (O/S)</b>		
	3012611	Kit, Liner	A/R	.010 Inch O/S
	3012612	Kit, Liner	A/R	.020 Inch O/S
	3801268	Kit, Liner	A/R	.030 Inch O/S
	3801269	Kit, Liner	A/R	.040 Inch O/S
		<b>LINER SHIMS</b>		
	205741	Shim	A/R	.007 Inch O/S
	205742	Shim	A/R	.008 Inch O/S
	205743	Shim	A/R	.009 Inch O/S
	205744	Shim	A/R	.020 Inch O/S
	205745	Shim	A/R	.031 Inch O/S
		<b>PISTON COOLING NOZZLE</b>		
45	3178947	Screw, Hexagon Head Cap	16	5/16 - 18 X 1 1/4 inch
	3179664	Valve, Piston Cooling	8	
54	3176552	Seal, Tamper Proof	2	
55	69204-D	Ring, Retaining	1	
56	3630068	Body, Piston Cooling Valve	1	
57	3058423	Plunger, Oil Control Valve	1	
58	3058424	Spring, Compression	1	
59	3179000	Dowel, Pin	2	

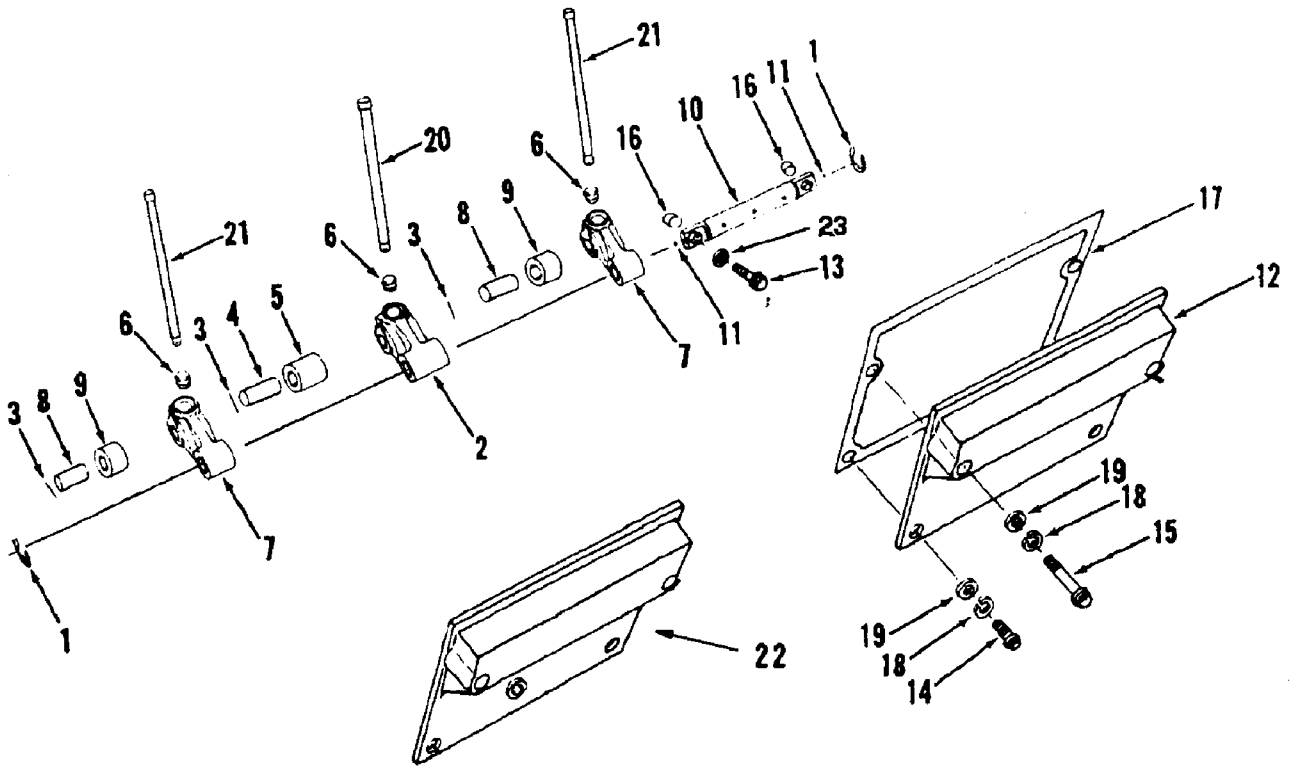


ks600ga

Ref No.	Part Number	Part Name	Req	Remarks
<b>MAIN BEARING SHELL</b>				
<b>OPTION BP6089</b>				
<b>OPTION BP6103</b>				
	3018210	Set, Main Bearing	1	Standard
1	206580	Bearing, Main	7	No.2,3,4,5,6,7,&8, Upper
2	206590	Bearing, Main	7	No.2,3,4,5,6,7,&8, Lower
3	206600	Bearing, Main	2	No.1&9, Upper
4	206610	Bearing, Main	2	No.1&9, Lower
5	3000139	Bearing, Thrust	2	
	3018211	Set, Main Bearing	A/R	.010 Inch O/S
1	206581	Bearing, Main	A/R	No.2,3,4,5,6,7,&8, Upper
2	206591	Bearing, Main	A/R	No.2,3,4,5,6,7,&8, Lower
3	206601	Bearing, Main	A/R	No.1&9, Upper
4	206611	Bearing, Main	A/R	No.1&9, Lower
5	3001708	Bearing, Thrust	A/R	.010 Inch O/S
	3018212	Set, Main Bearing	A/R	.020 Inch O/S
1	206582	Bearing, Main	A/R	No.2,3,4,5,6,7,&8, Upper
2	206592	Bearing, Main	A/R	No.2,3,4,5,6,7,&8, Lower
3	206602	Bearing, Main	A/R	No.1&9, Upper
4	206612	Bearing, Main	A/R	No.1&9, Lower
5	3001709	Bearing, Thrust	A/R	.020 Inch O/S
	3018213	Set, Main Bearing	A/R	.030 Inch O/S
1	206583	Bearing, Main	A/R	No.2,3,4,5,6,7,&8, Upper
2	206593	Bearing, Main	A/R	No.2,3,4,5,6,7,&8, Lower
3	206603	Bearing, Main	A/R	No.1&9, Upper
4	206613	Bearing, Main	A/R	No.1&9, Lower
5	3034075	Bearing, Thrust	A/R	.030 Inch O/S
	3018214	Set, Main Bearing	A/R	.040 Inch O/S
1	206584	Bearing, Main	A/R	No.2,3,4,5,6,7,&8, Upper
2	206594	Bearing, Main	A/R	No.2,3,4,5,6,7,&8, Lower
3	206604	Bearing, Main	A/R	No.1&9, Upper
4	206614	Bearing, Main	A/R	No.1&9, Lower
5	3034076	Bearing, Thrust	A/R	.040 Inch O/S

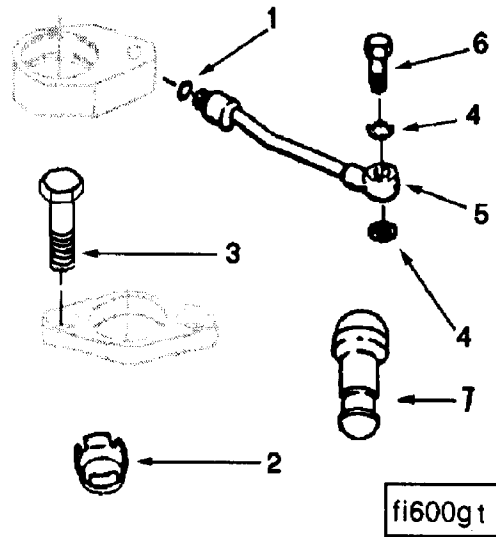


Ref No.	Part Number	Part Name	Req	Remarks
<b>ROCKER LEVER &amp; COVER</b>				
<b>OPTION BP6089</b>				
<b>OPTION BP6103</b>				
1	3053478	Lever, Rocker	16	
2	207226	Bushing	1	
3	194037 (3049437)	Socket, Rocker Lever Lever, Rocker	1 1	
4	3053476	Lever, Rocker	16	
5	207344 208084 (3049438)	Bushing Rivet Lever, Rocker	1 1 1	
6	3053479	Lever, Rocker	16	
7	207344 (3049432)	Bushing Lever, Rocker	1 1	
24	3176772	Shaft, Rocker Lever	16	
8	203933	Plug, Expansion	1	
9	205393	Screw, Twelve Point Cap	16	1/2 - 13 X 2 inch
10	205394	Screw, Twelve Point Cap	16	1/2 - 13 X 4 1/2 inch
11	108602	Screw, Hexagon Head Cap	80	1/2 - 13 x 3 3/4 inch
12	3630839	Gasket, Rkr Lever Housing	16	
13	S-212	Nut, Regular Hexagon	48	1/2 - 20 UNF
14	168306	Screw, Slotted Set	48	1/2 - 20 x 2 inch
15	205128	Washer, Plain	128	
16	S-125	Screw, Hexagon Head Cap	16	1/2 - 13 X 2 inch
17	3038938	Cover, Rocker Lever	1	
18	3628196	Screw, Hexagon Head Cap	16	3/8 - 16 X 2 inch
19	3628194	Screw, Hexagon Head Cap	32	3/8 - 16 X 4 1/2 inch
20	3629140	Gasket, Rocker Lever Cover	16	
21	S-604	Washer, Lock	48	3/8 inch
22	S-602	Washer, Plain	48	3/8 inch
23	3628604	Plug, Pipe	1	
25	3010247	Cover, Valve	15	

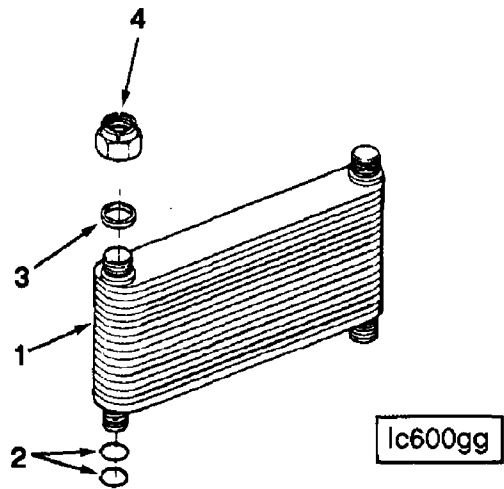


cm800gb

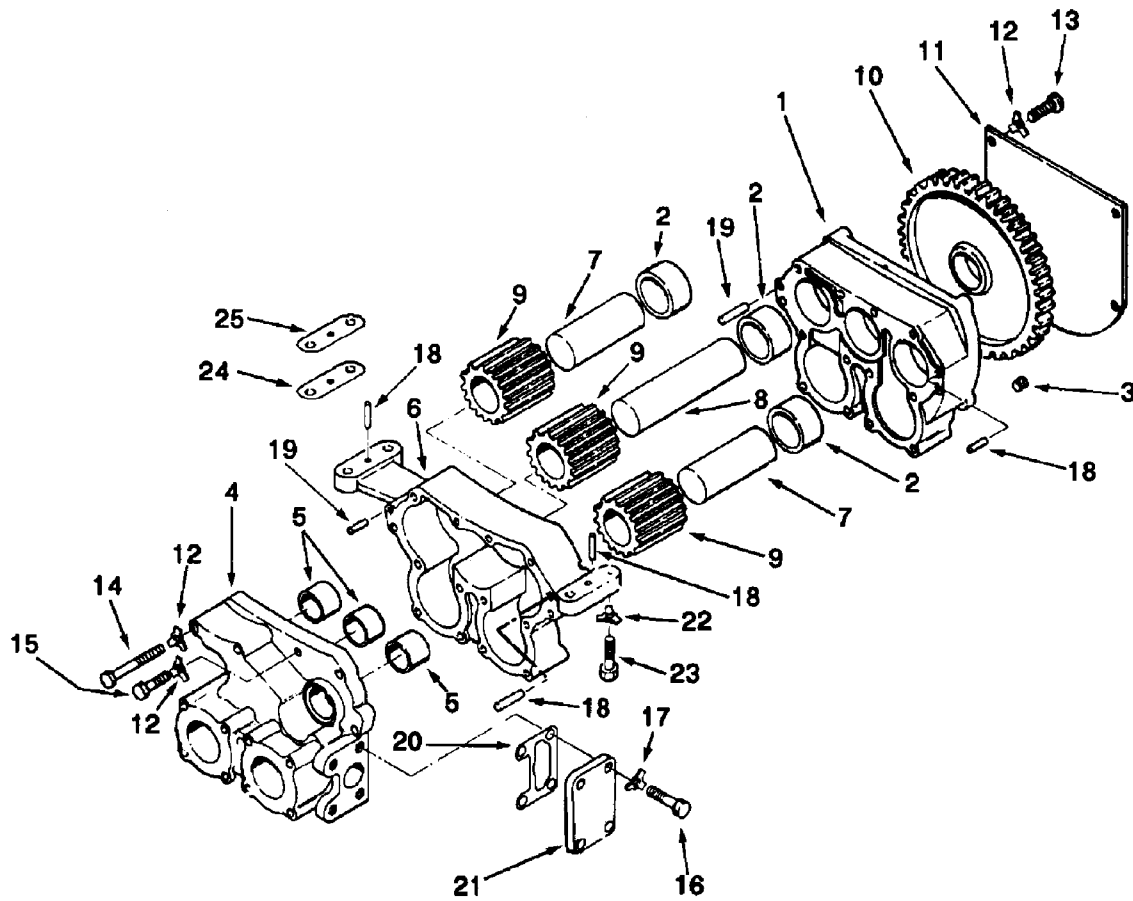
Ref No.	Part Number	Part Name	Req	Remarks
<b>CAM FOLLOWER &amp; COVER</b>				
<b>OPTION BP6089</b>				
<b>OPTION BP6103</b>				
1	205439	Ring, Retaining	32	
2	3039163	Lever, Cam Follower	16	Injector
3	205438	Lockwire, Cam Roller Pin	1	
4	205068	Pin, Cam Follower Roller	1	
5	3016825	Roller, Cam Follower	1	
6	213559	Socket, Cam Follower	1	
7	3039164	Lever, Cam Follower	32	Intake and Exhaust
	(205069)	Lever, Cam Follower	1	
3	205438	Lockwire, Cam Roller Pin	1	
6	213559	Socket, Cam Follower	1	
8	205071	Pin, Cam Follower Roller	1	
9	3016826	Roller, Cam Follower	1	
10	AR10626	Shaft, Cam Follower	16	
11	205227	Plug, Expansion	32	
12	3628755	Cover, Camshaft	15	
22	3628756	Cover, Camshaft	1	This cover is to be mounted to the left side of the oil control valve when part no. 3175318, hose, is used for HVT oil drain. Mounted to the right side of oil control valve when HVT oil drain tube is used.
<b>MOUNTING PARTS</b>				
13	3177760	Screw, Hexagon Head Cap	32	3/8 - 16 X 2 1/2 inch
14	S-103-D	Screw, Hexagon Head Cap	32	3/8 - 16 X 1 1/4 inch
15	S-126	Screw, Hexagon Head Cap	32	3/8 - 16 X 2 1/2 inch
16	3002993	Dowel, Ring	32	
17	3040721	Gasket, Cam Fol Housing	16	
18	S-604	Washer, Lock	58	3/8 inch
19	127362	Washer, Plain	58	
23	127362	Washer, Plain	32	3/8 inch
<b>PUSH RODS</b>				
20	3017961	Rod, Push	16	
21	3057139	Rod, Push	32	



Ref No.	Part Number	Part Name	Req	Remarks
		<b>INJECTOR MOUNTING</b>		
		<b>OPTION BP6089</b>		
		<b>OPTION BP6103</b>		
1	131026	Seal, O Ring	16	
2	207244	Seal, Injector	16	
	3001658	Seal, Injector	A/R	.010 Inch O/S
	3001659	Seal, Injector	A/R	.020 Inch O/S
	3001660	Seal, Injector	A/R	.030 Inch O/S
3	3070962	Screw, Hexagon Head Cap	32	5/16 - 18 x 1 1/4 inch
4	3023095	Washer, Sealing	32	
5	3627044	Connection, Oil Transfer	16	
6	3179021	Screw, Banjo Connector	16	1/2 - 20 x 1 inch
7	3052233	Link, Injector Plunger	16	

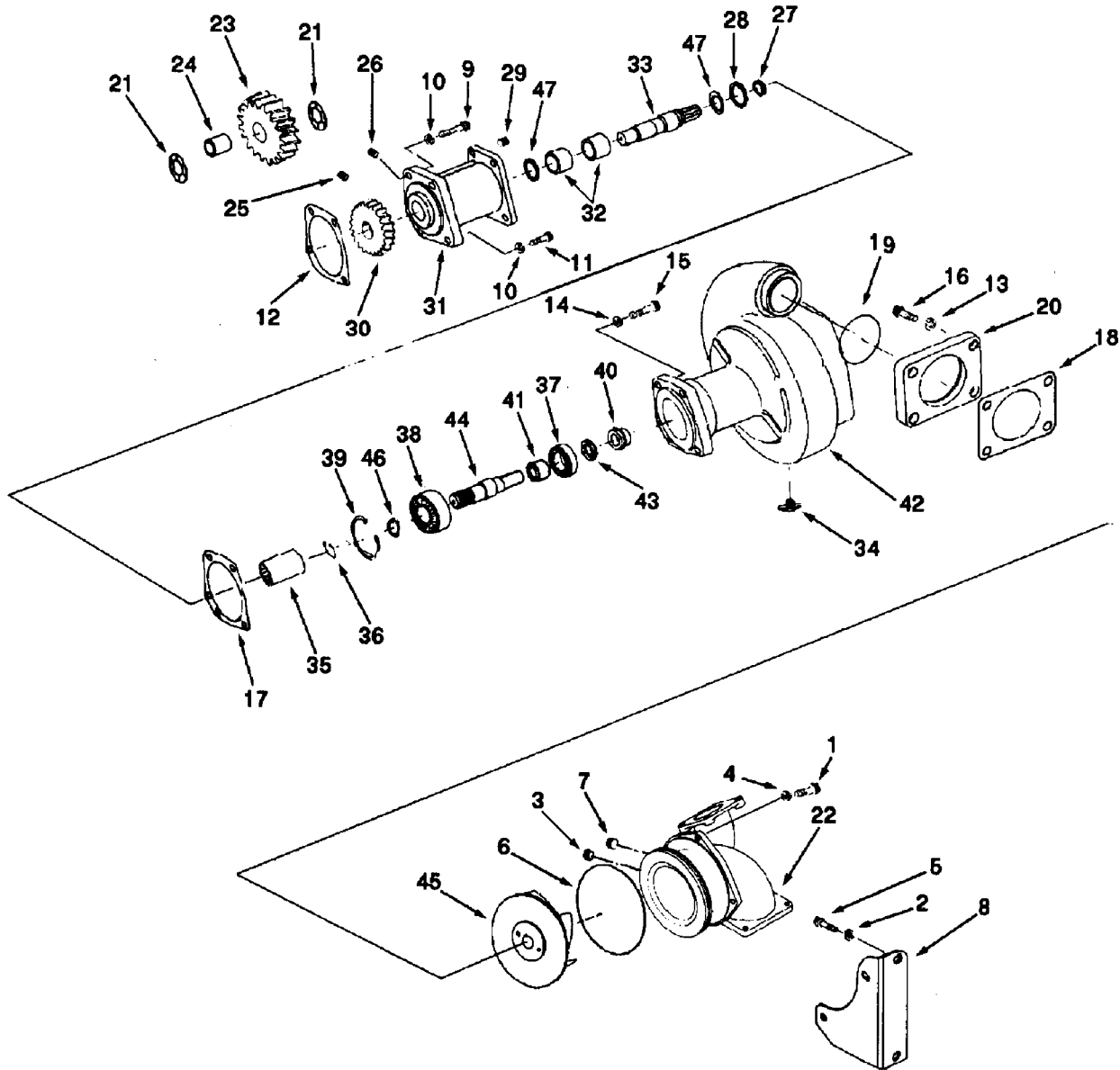


Ref No.	Part Number	Part Name	Req	Remarks
<b>LUBRICATING OIL COOLER</b>				
<b>OPTION BP6089</b>				
<b>OPTION BP6103</b>				
1	3627295	Core, Cooler	4	
2	212161	Seal, O Ring	16	
3	3630969	Gasket, Lub Oil Clr Cover	8	
4	3002126	Nut, Lock	8	



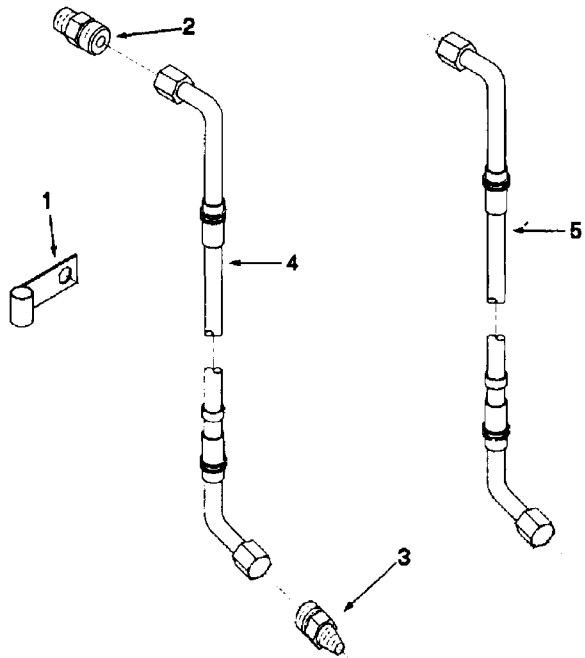
lp601ga

Ref No.	Part Number	Part Name	Req	Remarks
<b>LUBRICATING OIL PUMP</b>				
<b>OPTION BP6089</b>				
<b>OPTION BP6103</b>				
	3177103	Pump, Lubricating Oil	1	
1	3025286	Assy, Cover & Bushing	1	
2	205548	Bushing	3	
3	213395	Plug, Expansion	2	
4	3175985	Assy, Cover & Bushing	1	
5	205548	Bushing	3	
6	3025283	Body, Lub Pump	1	
	3178224	Assembly, Gear And Shaft	1	
8	205544	Shaft	1	Sold as assembly only. Not sold separately.
9	3178223	Gear	1	
9	3178225	Assembly, Gear And Shaft	2	
9	3178223	Gear	2	Sold as assembly only. Not sold separately.
7	3000624	Shaft	2	
10	206756	Gear	1	
11	205546	Cover	1	
12	109319	Lockplate	9	
13	S-117	Capscrew	5	3/8 - 16 x 3/4 inch
14	3026677	Capscrew	2	7/16 - 14 x 6 inch
15	3026678	Capscrew	4	7/16 - 14 x 4 inch
16	S-103-D	Capscrew	4	3/8 - 16 X 1 1/4 inch
17	68908	Lockplate	4	
18	107948	Dowel, Pin	3	
19	69519	Dowel, Pin	3	
20	3008921	Gasket, Pressure Regulator	1	
21	3177110	Cover, Lub Oil Pump	1	
<b>MOUNTING PARTS</b>				
22	149134	Lockplate	4	
23	S-113	Capscrew	4	1/2 - 13 X 1 1/2 inch
24	3026312	Shim	A/R	0.005 INCH 0.13 MM
25	3026313	Shim	A/R	0.010 INCH 0.25 MM
Shims used to obtain proper backlash between drive gear and crankshaft gear. S.T. 81T 3A.				



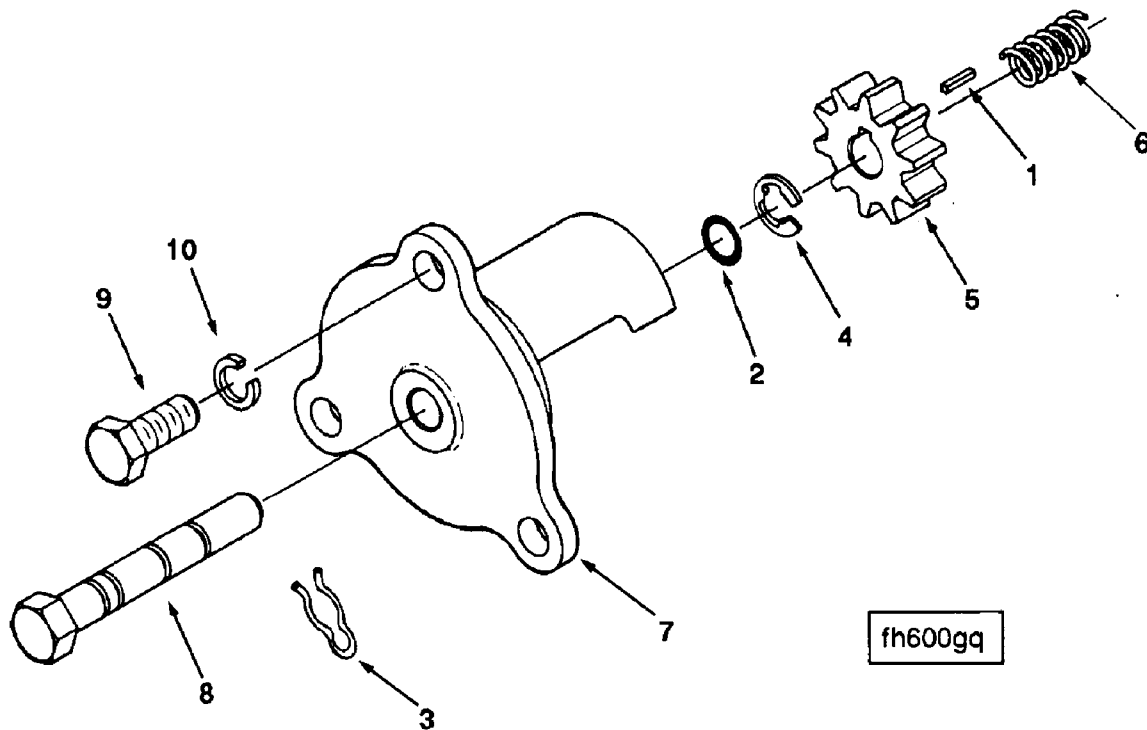
wp600gt

Ref No.	Part Number	Part Name	Req	Remarks
		<b>WATER PUMP</b>		
		<b>OPTION BP6089</b>		
		<b>OPTION BP6103</b>		
1	3010596	Screw, Captive Washer Cap	4	3/8 - 16 X 1 1/4 inch
2	S-604	Washer, Lock	2	3/8 inch
3	S-907-A	Plug, Pipe	1	1 1/4 NPT
4	108330	Washer, Plain	4	3/8 inch
5	108707	Screw, Hexagon Head Cap	2	3/8 - 16 X 1 1/2 inch
6	206457	Seal, O Ring	1	
7	3628606	Plug, Pipe	1	
8	3175857	Support, Water Pump	1	
9	S-162-A	Screw, Hexagon Head Cap	3	7/16 - 14 X 2 3/4 inch
10	S-610	Washer, Lock	4	7/16 inch
11	103009	Screw, Hexagon Head Cap	1	7/16 - 14 X 1 1/4 inch
12	206416	Gasket, Support	1	
13	S-604	Washer, Lock	4	3/8 inch
14	S-610	Washer, Lock	4	
15	103009	Screw, Hexagon Head Cap	4	7/16 - 14 x 1 1/4 inch
16	199919	Screw, Twelve Point Cap	4	3/8 - 16 x 1 1/2 inch
17	206193	Gasket, Water Pump	1	
18	206455	Gasket, Water Pump	1	
19	3007512	Seal, O Ring	1	
20	3008494	Adapter, O Ring	1	
21	130083	Bearing, Thrust	2	
22	3045568	Connection, Water Inlet	1	
23	3628822	Gear, Idler	1	
24	3004686	Bushing	1	
	3628640	Support, Water Pump	1	
25	68193	Plug, Pipe	1	
26	70295	Plug, Pipe	1	
27	3627723	Retainer, Shaft	1	
28	3026556	Bearing, Thrust	1	
29	206742	Plug, Expansion	1	
30	207251	Gear, Water Pump	1	
31	3631004	Support, Water Pump	1	
32	3629855	Bushing	2	
33	3628187	Shaft, Water Pump	1	
35	206195	Sleeve, Spline Coupling	1	
36	206196	Wire, Snap	1	
	3627084	Pump, Water	1	
34	S-962-E	Draincock	1	
37	S-16054	Bearing, Ball	1	
38	S-16069	Bearing, Ball	1	
39	70183	Ring, Retaining	1	
40	206198	Seal, Oil	1	
41	3030487	Spacer, Bearing	1	
42	3030490	Body, Water Pump	1	
43	3035248	Seal, Water Pump	1	
44	3626952	Shaft, Water Pump	1	
45	3050454	Impeller, Water Pump	1	
46	3175573	Ring, Retaining	1	
47	3026556	Bearing, Thrust	2	

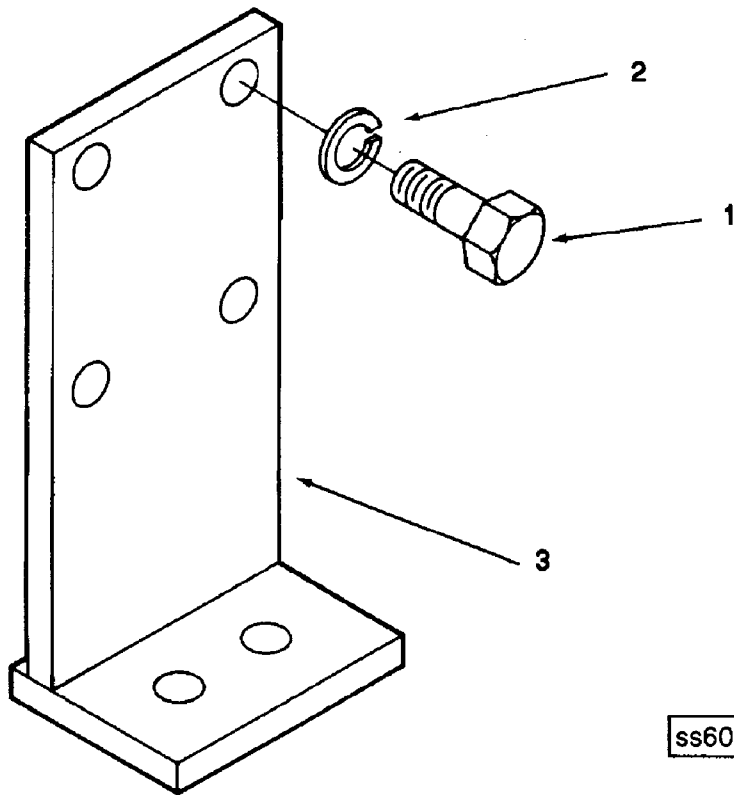


1b601gm

Ref No.	Part Number	Part Name	Req	Remarks
		<b>TURBO OIL SUPPLY HOSE</b>		
		<b>OPTION BP6089</b>		
		<b>OPTION BP6103</b>		
1	3629453	Clip	5	
2	3627693	Union, Male	2	
3	3095293	Union, Male	2	
	3627697	Union, Male	2	
	3883963	Seal, O Ring	2	
4	3628708	Hose, Flexible	1	55 inch
5	3628709	Hose, Flexible	1	45 inch

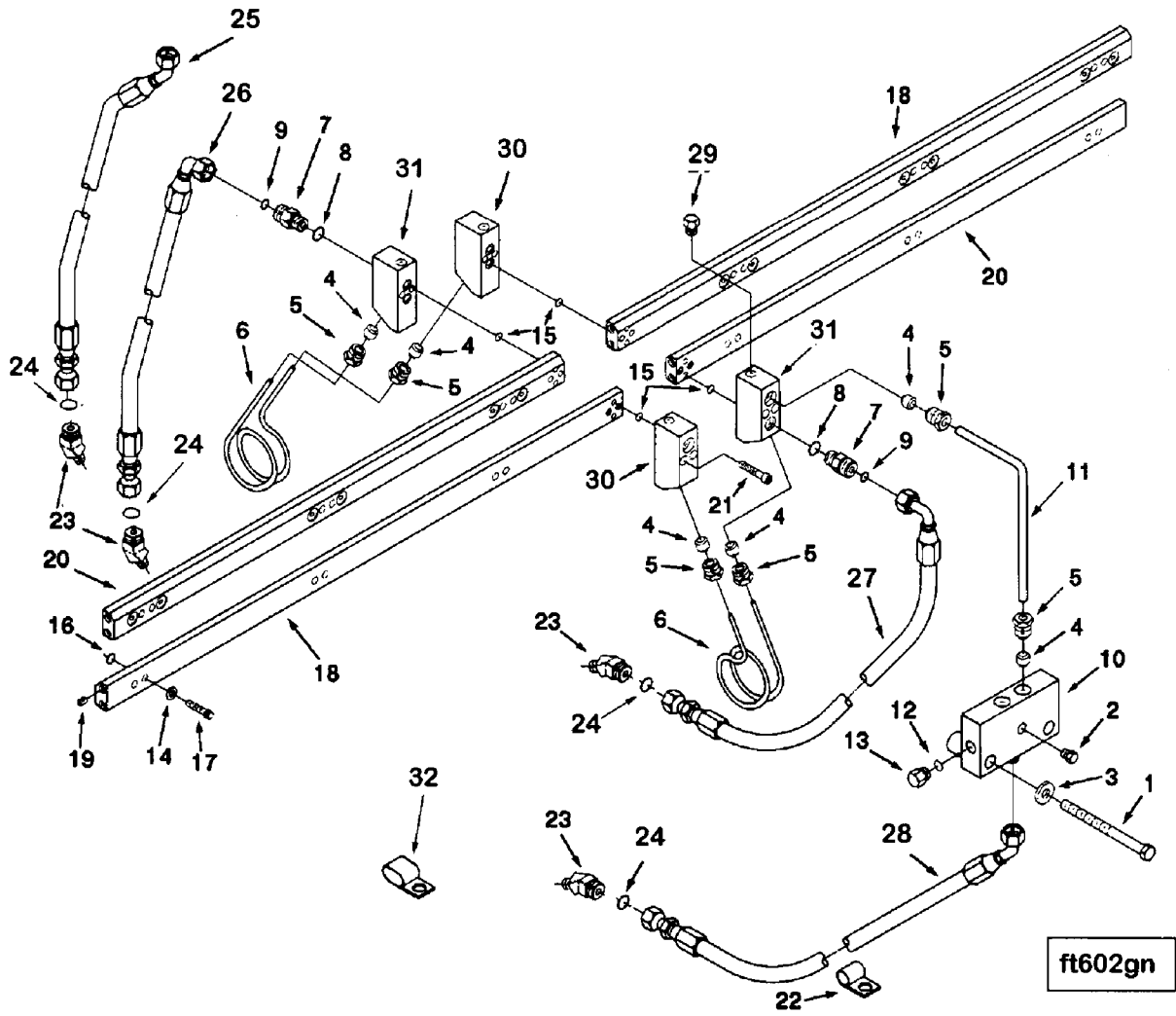


Ref No.	Part Number	Part Name	Req	Remarks
		<b>ENGINE BARRING DRIVE</b>		
		<b>OPTION BP6089</b>		
		<b>OPTION BP6103</b>		
1	3201740	Drive, Engine Barring	1	
	S-306	Key, Plain Woodruff	1	
2	3913994	Seal, O Ring	1	
3	169834	Clip	1	
4	206090	Ring, Retaining	1	
5	206091	Gear, Engine Barring	1	
6	206092	Spring, Compression	1	
7	206093	Housing, Engine Barring	1	
8	3201739	Shaft, Barring	1	
9	S-116	Screw, Hexagon Head Cap	3	5/8 - 11 X 1 1/2 inch
10	S-603	Washer, Lock	3	5/8 inch

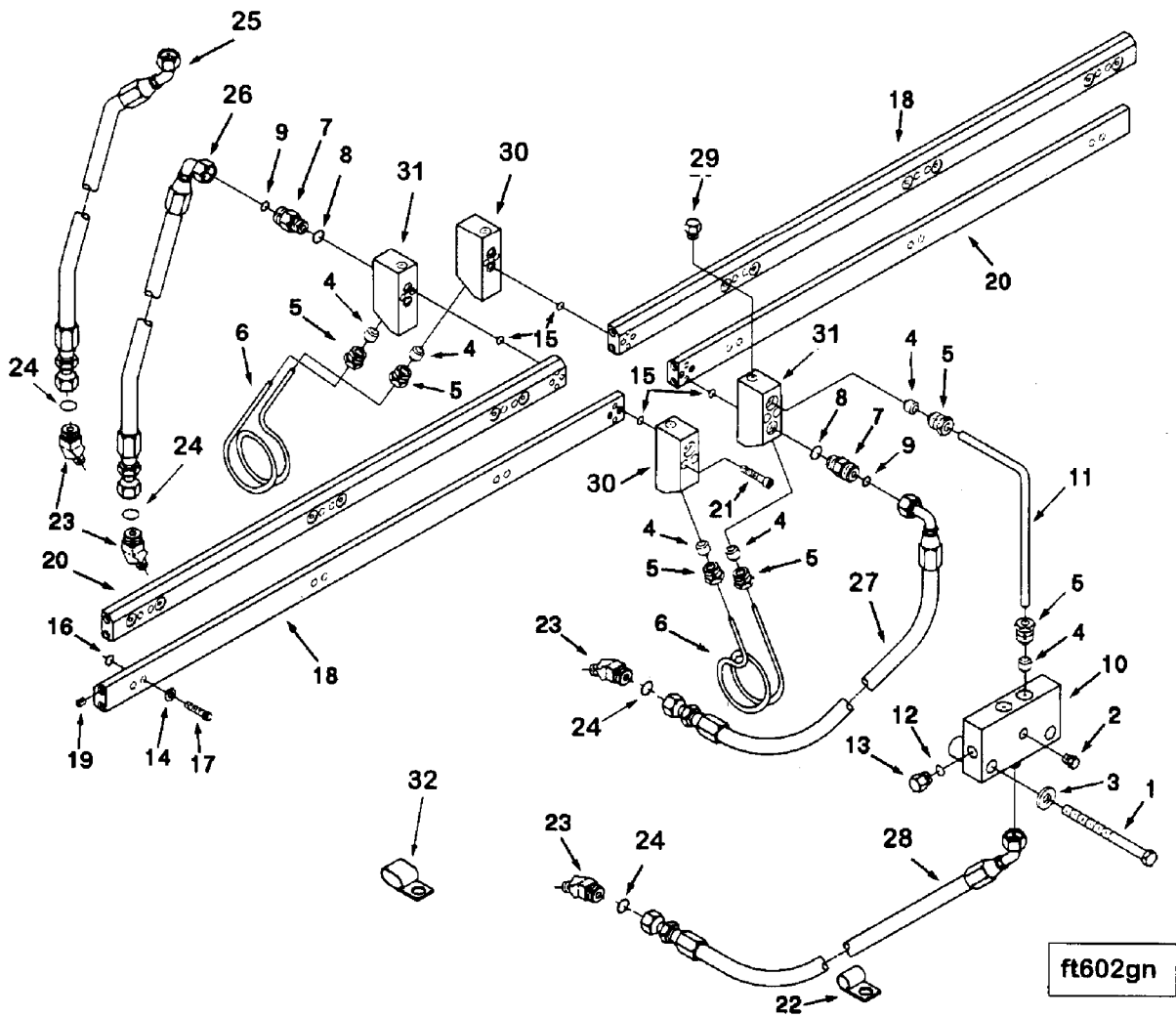


ss600ga

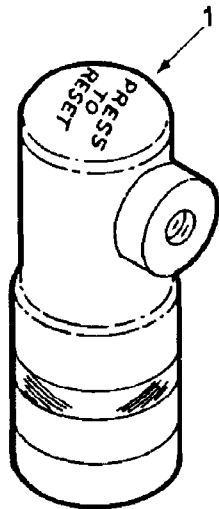
Ref No.	Part Number	Part Name	Req	Remarks
		<b>SHIPPING BRACKET</b> <b>OPTION BP6089</b> <b>OPTION BP6103</b>		
1	S-152-A	Screw, Hexagon Head Cap	8	3/4 - 10 x 2 inch
2	S-611	Washer, Lock	8	3/4 inch
3	3175861	Bracket, Shipping	2	



Ref No.	Part Number	Part Name	Req	Remarks
		<b>FUEL MANIFOLD OPTION BP6724</b>		Fuel manifold for: KTA-50G1/G2 with top mounted aftercoolers. KTA-50G3/G4 with side mounted aftercoolers. KTTA-50G2. Includes commercial hoses.
1	S-169-A	Screw, Hexagon Head Cap	4	
2	195265	Plug, Pipe	2	1/4 NPT
3	108330	Washer, Plain	4	3/8 inch
4	3002150	Seal, Ferrule	12	
5	3031404	Connector, Tube	12	
6	3176710	Tube, Fuel Supply	2	
7	3627693	Union, Male	2	
8	3037537	Seal, O Ring	1	
9	3883963	Seal, O Ring	1	
10	3630358	Connection, Fuel Block	2	
11	3628931	Tube, Fuel Supply	4	
	3629114	Plug, Threaded	4	
12	3037236	Seal, O Ring	1	
13	3629113	Plug, Threaded	1	
14	127018	Washer, Plain	32	1/4 inch
15	131026	Seal, O Ring	8	
16	3001340	Seal, O Ring	32	
17	3001811	Screw, Twelve Point Cap	32	1/4 - 20 X 1 inch
18	3017245	Manifold, Fuel	2	
19	3628610	Plug, Pipe	16	
20	3017246	Manifold, Fuel	2	
21	3175074	Screw, Socket Head Cap	8	
22	3627412	Clip	2	
	3095292	Elbow, Male Adapter	4	
23	3628633	Elbow, Male Adapter	4	
24	3883963	Seal, O Ring	4	
25	3630119	Hose, Flexible	1	25 inch 45 degree end
26	3630117	Hose, Flexible	1	31 inch 90 degree end
27	3630113	Hose, Flexible	1	29 inch 90 degree end
28	3630115	Hose, Flexible	1	24 inch 45 degree end
29	3023217	Plug, Threaded	4	7/16 - 20 UNF
30	3628518	Connection, Fuel Block	2	
31	3628517	Connection, Fuel Block	2	
32	3629516	Clip	6	

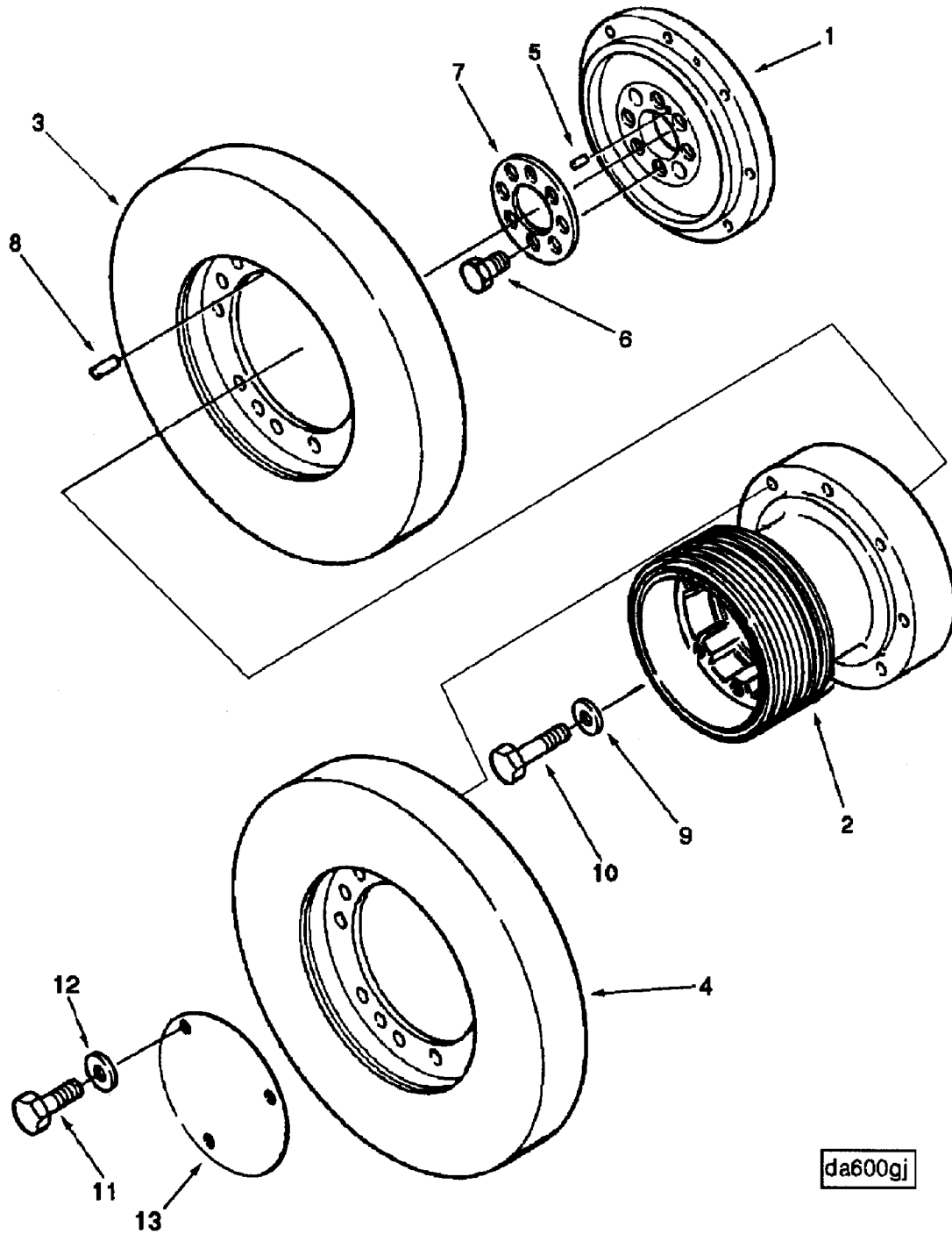


Ref No.	Part Number	Part Name	Req	Remarks
		<b>FUEL MANIFOLD OPTION BP6739</b>		Fuel manifold for: KTA50-C/KTTA50-C with side mounted aftercoolers. (LTA and outboard) KTA50-L /KTTA50-L with side mounted aftercoolers. (LTA and outboard) KTA50-G with low temperature aftercoolers dual STC engines only. Includes commercial hose.
1	S-169-A	Screw, Hexagon Head Cap	4	
2	195265	Plug, Pipe	2	1/4 NPT
3	108330	Washer, Plain	4	3/8 inch
4	3002150	Seal, Ferrule	12	
5	3031404	Connector, Tube	12	
6	3176710	Tube, Fuel Supply	2	
7	3627693	Union, Male	2	
8	3037537	Seal, O Ring	1	
9	3883963	Seal, O Ring	1	
10	3630358	Connection, Fuel Block	2	
11	3628931	Tube, Fuel Supply	4	
	3629114	Plug, Threaded	4	
12	3037236	Seal, O Ring	1	
13	3629113	Plug, Threaded	1	
14	127018	Washer, Plain	32	1/4 inch
15	131026	Seal, O Ring	8	
16	3001340	Seal, O Ring	32	
17	3001811	Screw, Twelve Point Cap	32	1/4 - 20 X 1 inch
18	3017245	Manifold, Fuel	2	
19	3628610	Plug, Pipe	16	
20	3017246	Manifold, Fuel	2	
21	3175074	Screw, Socket Head Cap	8	
22	3627412	Clip	2	
	3095292	Elbow, Male Adapter	4	
23	3628633	Elbow, Male Adapter	4	
24	3883963	Seal, O Ring	4	
25	3630119	Hose, Flexible	1	25 inch 45 degree end
26	3630117	Hose, Flexible	1	31 inch 90 degree end
27	3630113	Hose, Flexible	1	29 inch 90 degree end
28	3630115	Hose, Flexible	1	24 inch 45 degree end
29	3023217	Plug, Threaded	4	7/16 - 20 UNF
30	3628518	Connection, Fuel Block	2	
31	3628517	Connection, Fuel Block	2	
32	3629516	Clip	6	



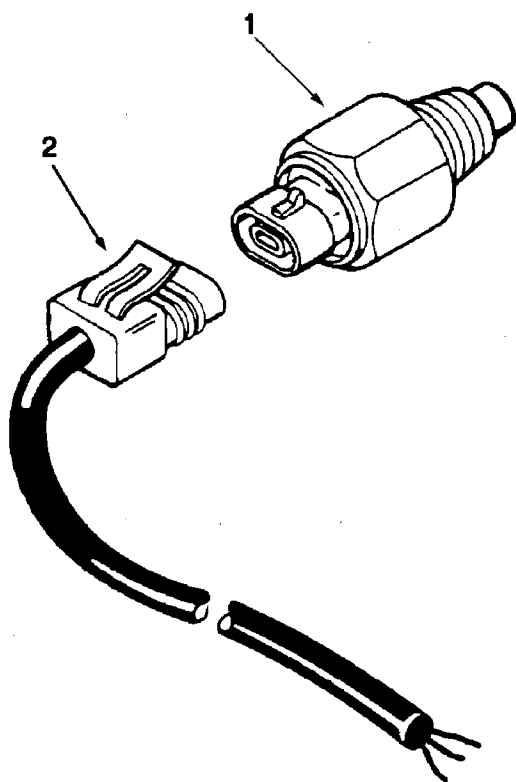
ca100gj

Part Number	Part Name	Req	Remarks
178957	<p style="text-align: center;"><b>RESTRICTION INDICATOR</b> <b>OPTION CA8016</b></p> <p>Indicator Air Restrict</p>	2	<p>Two air cleaner restriction service indicators set at 25inches of water. Supplied in the kit for use with customer furnished air intake systems.</p>



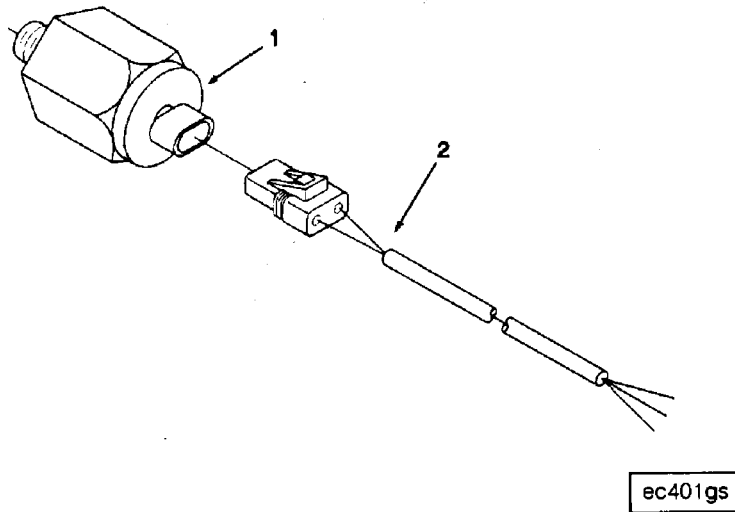
da600gj

Ref No.	Part Number	Part Name	Req	Remarks
		<b>VIBRATION DAMPER OPTION DA6070</b>		Dual standard viscosity vibration dampers with press fit crankshaft adapter and crankshaft fan drive pulley, 8 inches in diameter, for 23 rib 'K' section v-ribbed belt. Must be used with Cummins radiator cooling and fan drive systems, or with customer supplied cooling systems. Crank pulley has provisions for mounting an additional front power take-off pulley or take-off adapter. For KTA/KTTA50 with no restrictions on applications, but general application is for full torque below torque peak. Pitch circle diameter of crank attachment holes is 3.050 inches.
1	3069776	Adapter, Crankshaft	1	
2	3031737	Pulley, Crankshaft	1	
3	3628649	Damper, Vibration	1	
4	3628650	Damper, Vibration	1	
5	3033629	Pin, Roll	1	
6	3069779	Screw, Twelve Point Cap	8	3/4 - 16 X 4 inch
7	3069781	Spacer, Crankshaft	1	
8	131584	Pin, Roll	1	
9	3033627	Washer, Plain	8	1/2 inch
10	3033630	Screw, Hex Flange Head Cap	8	9/16 - 18 X 4 7/16 inch
11	S-169	Screw, Hexagon Head Cap	3	1/2 - 13 x 1 inch
12	S-608	Washer, Lock	3	1/2 inch
13	3036115	Cover, Protective	1	



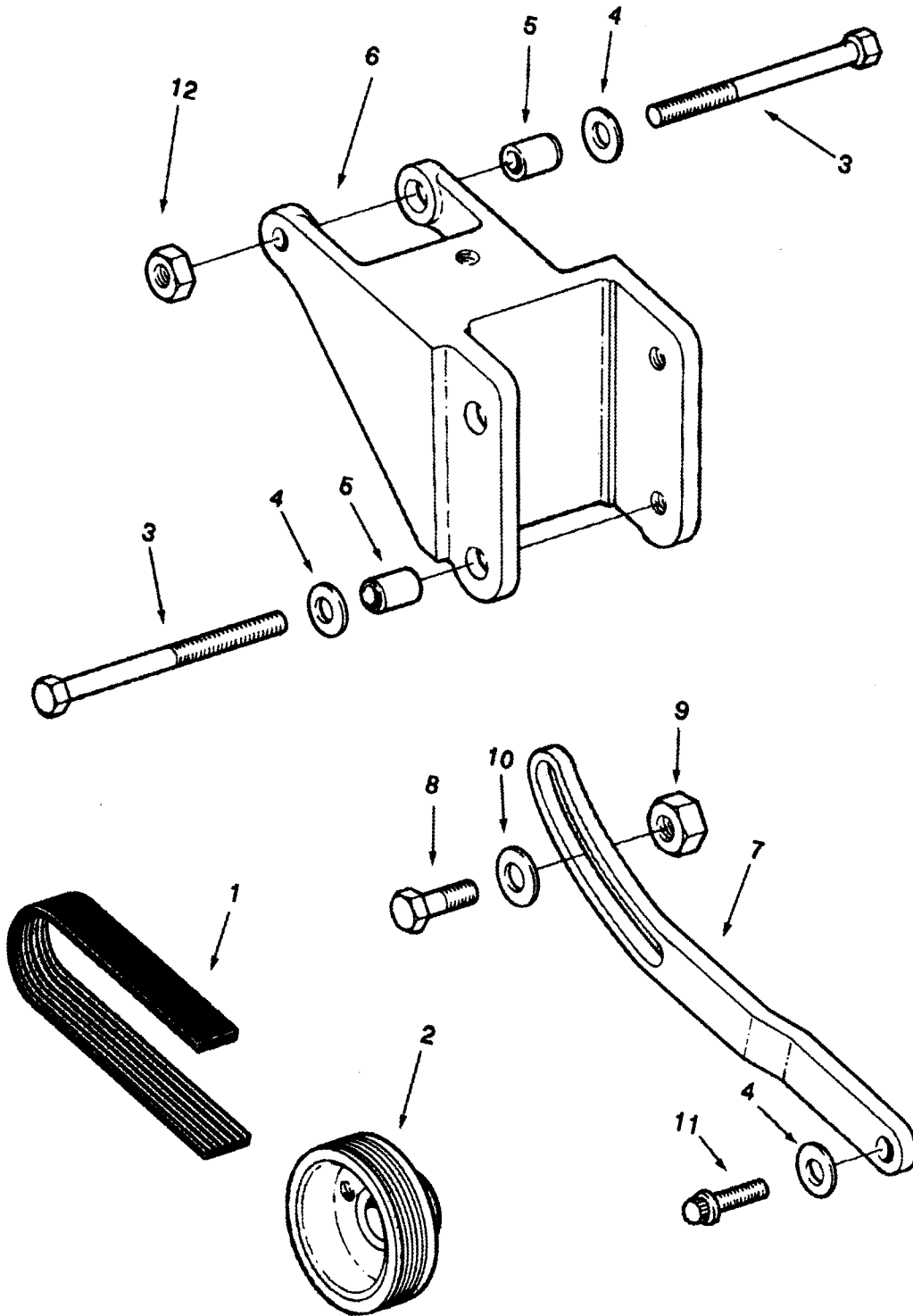
ec400gx

Ref No.	Part Number	Part Name	Req	Remarks
		<b>COOLANT TEMPERATURE SWITCH OPTION EC8276</b>		High coolant temperature switch. Switch shuts engine down on increasing temperature at 223 < + or degrees F. <2> 106 < + or 1/7 degrees C. <3>. Fungus and corrosion resistant. Cannot be used with Cummins supplied engine wiring harness. Replaces EC8250.
3				
1	3056353	Switch, Temperature	1	
2	3056356	Harness, Wiring	1	



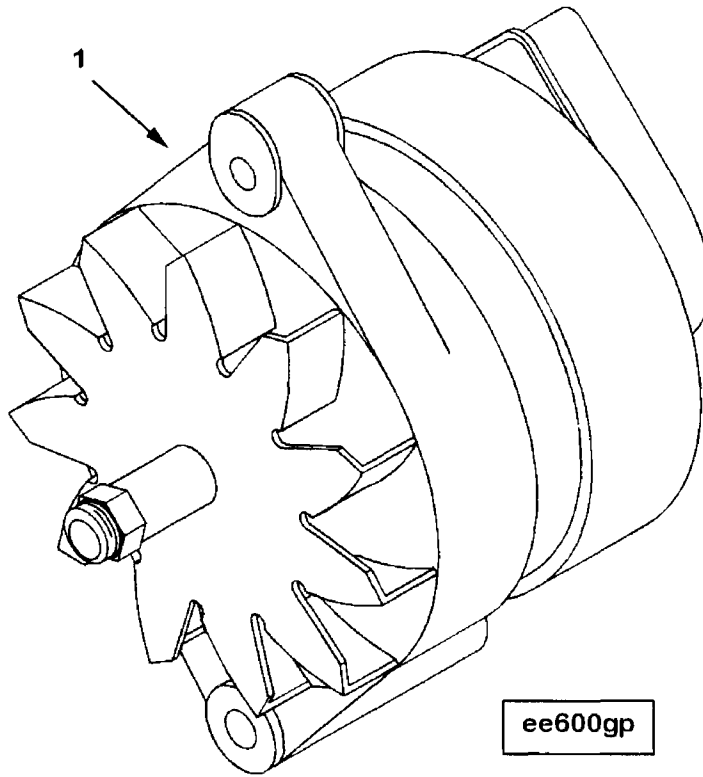
Ref No.	Part Number	Part Name	Req	Remarks
		<b>OIL PRESSURE SWITCH OPTION EC8356</b>		
1	3255283	Switch, Pressure	1	Oil pressure switch low lube oil pressure switch used to activate pre-alarm on decreasing oil pressure at 25 +/- 3 PSI or 172 +/- 14 KPA. Cannot be used with Cummins supplied wiring harness.
2	3056356	Harness, Wiring	1	

# Alternator Mounting

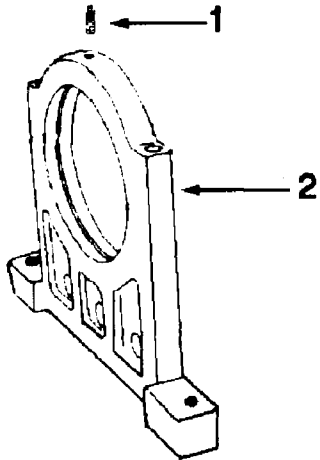


eh600gi

Ref No.	Part Number	Part Name	Req	Remarks
		<b>ALTERNATOR MOUNTING OPTION EE6021</b>		Mounting and drive for Butec alternators. Includes pulley and 5rib "K" section v-ribbed belt. Drive ratio is 2.62 times engine speed.
1	3039376	Belt, V Ribbed	1	
2	3179922	Pulley, Alternator	1	
3	S-167-B	Screw, Hexagon Head Cap	3	7/16 - 14 X 5 1/2 inch
4	203760	Washer, Plain	5	7/16 inch
5	207509	Sleeve	3	
6	3179866	Support, Alternator	1	
7	3626871	Link, Adjusting	1	
8	106549	Screw, Hexagon Head Cap	1	3/8 - 24 X 1 3/4 inch
9	107534	Nut, Lock	1	
10	108330	Washer, Plain	1	3/8 inch
11	206326	Screw, Twelve Point Cap	1	7/16- 14 X 1 1/4 inch
12	555273	Nut, Lock	1	

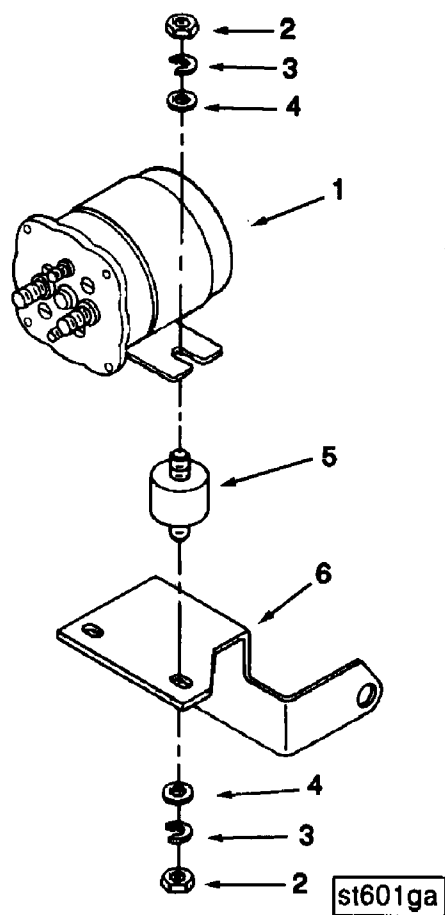


Ref. No.	Part Number	Part Name	Req	Remarks
1	3631678	<p style="text-align: center;"><b>ALTERNATOR OPTION EE6038</b></p> <p>Alternator</p>	1	<p>Prestolite alternator 28 v 40 a. (Prestolite Reference Ina402418).</p>

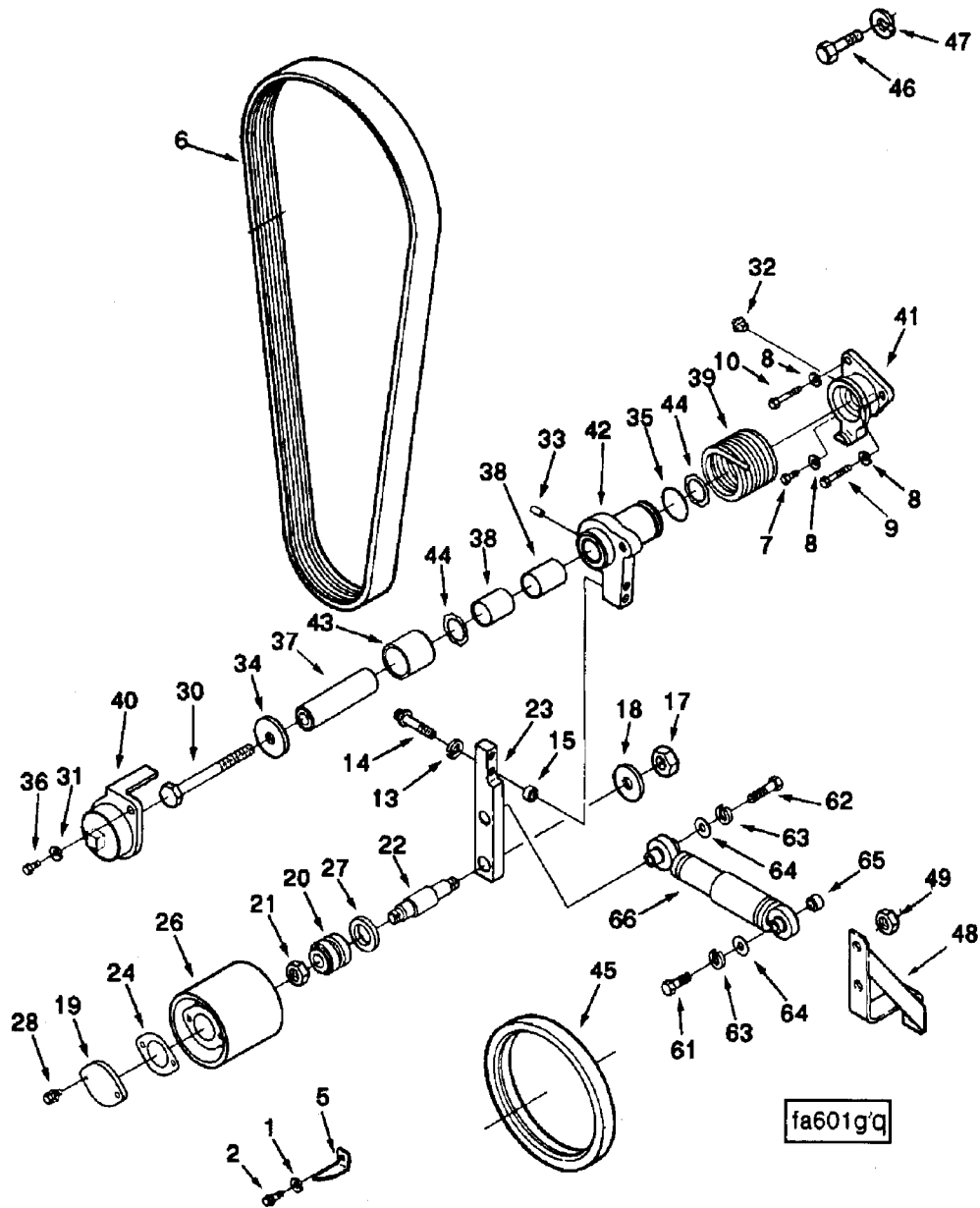


gc600gd

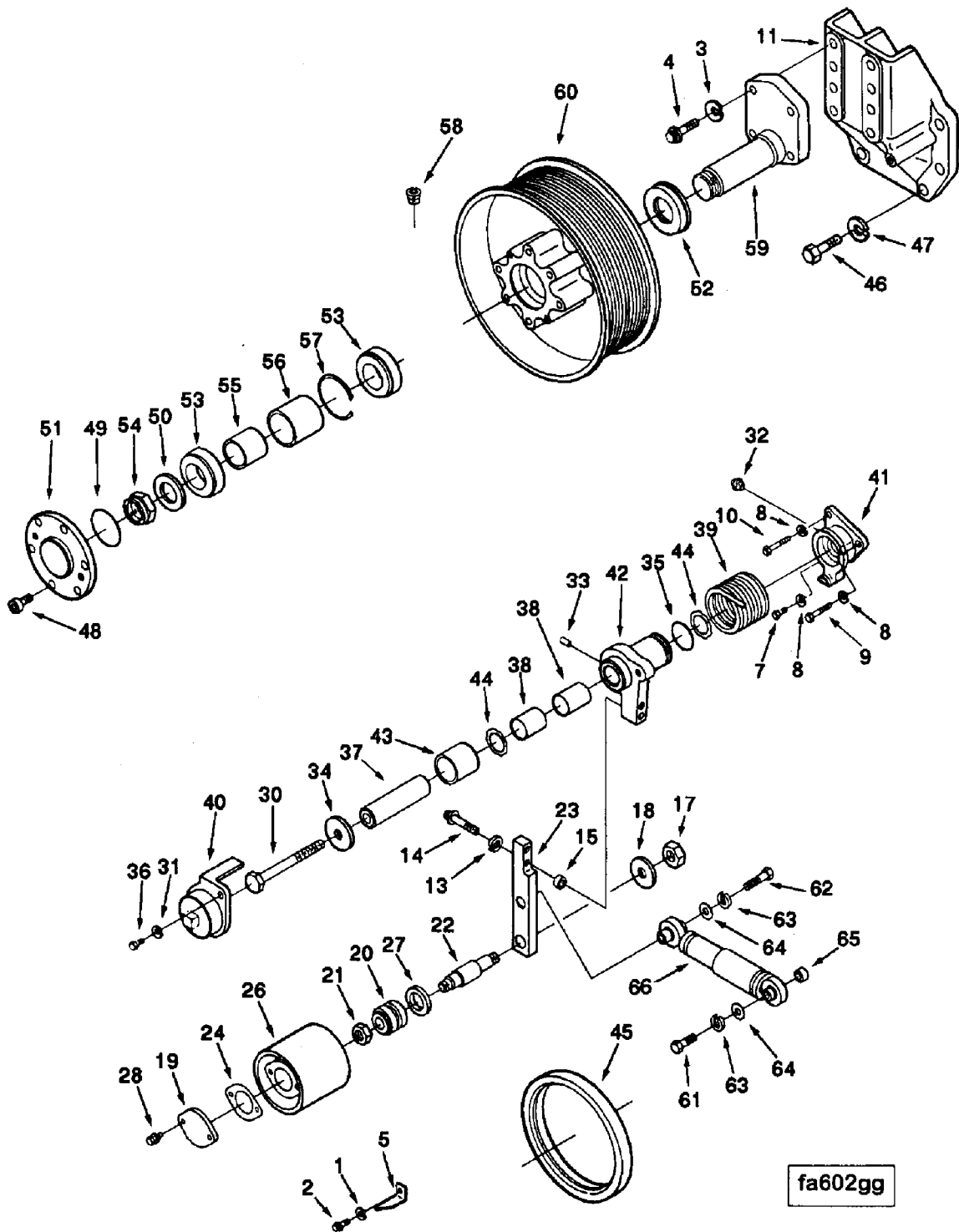
Ref No.	Part Number	Part Name	Req	Remarks
<b>FRONT ENGINE SUPPORT</b>				
<b>OPTION EM6001</b>				
1	3176012	Assembly, Front Engine Sup	1	Trunnion type front support.
	S-2268	Fitting, Grease	1	
2	3177812	Support, Front Engine	1	



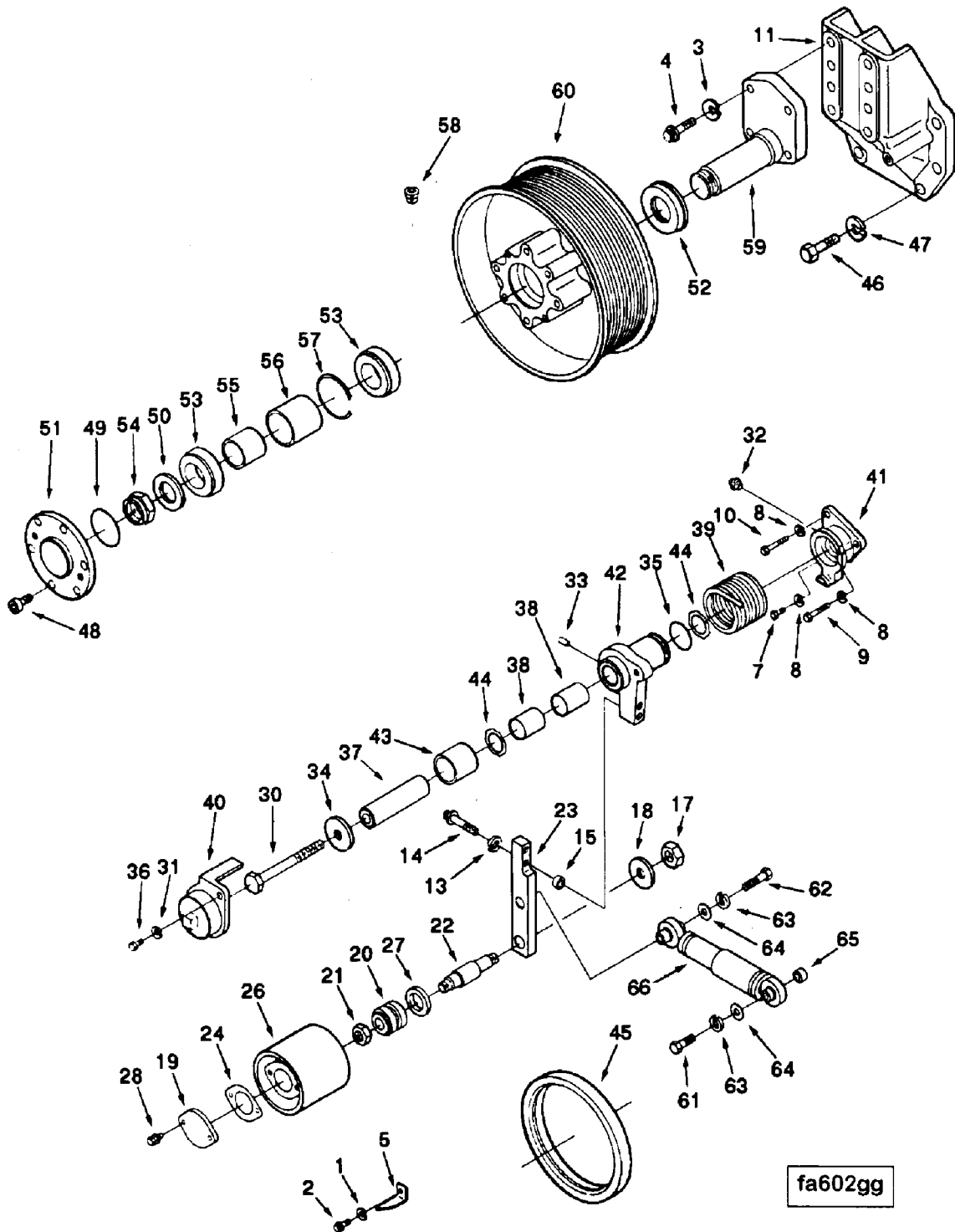
Ref No.	Part Number	Part Name	Req	Remarks
		<b>MAGNETIC SWITCH OPTION ES6004</b>		24volt insulated magnetic switch for use with dual positive engagement electric starters. Secured to the starter mounting flange. When engine wiring and electric starters are specified, this option must be selected.
1	3050692	Switch, Magnetic	1	
2	S-224	Nut, Heavy Hexagon	4	1/4 - 20 UNC.
3	S-600	Washer, Lock	4	1/4 inch
4	S-631	Washer, Plain	4	1/4 inch
5	204493	Isolator, Vibration	2	
6	3627324	Bracket, Magnetic Switch	1	



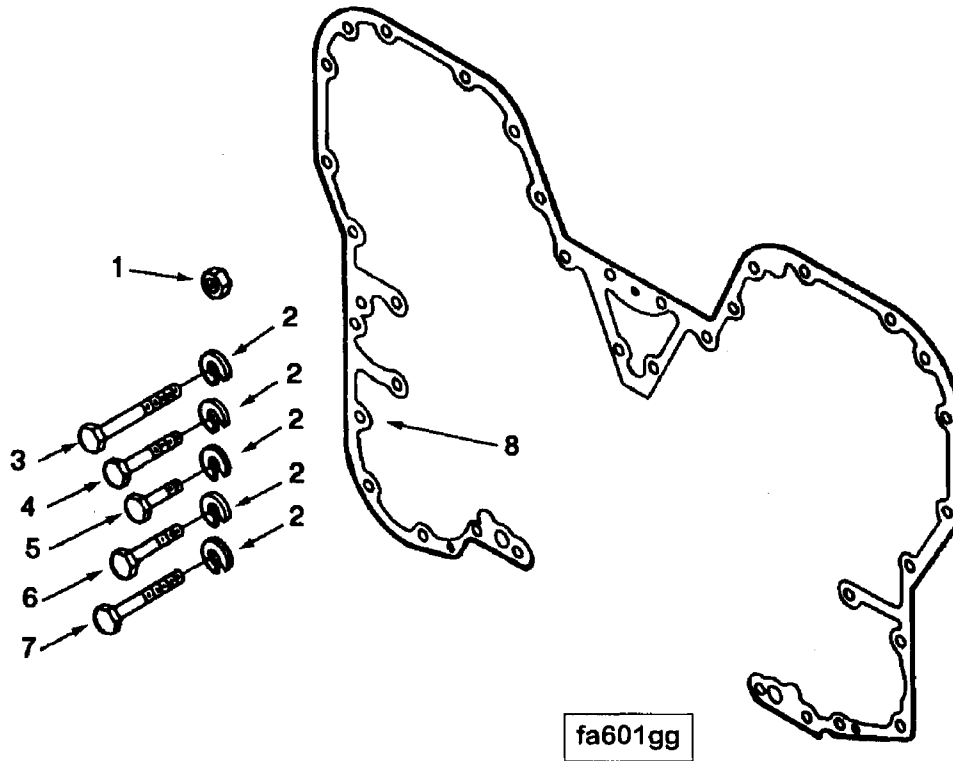
Ref No.	Part Number	Part Name	Req	Remarks
		<b>FAN DRIVE ARRANGEMENT</b>		
		<b>OPTION FA6028</b>		
				20 inch fan center with customer supplied Bearward radiator. Belt is supplied in kit.
1	S-605	Washer, Lock	1	5/16 inch
2	206527	Screw, Twelve Point Cap	1	5/16 - 18 x 5/8 inch
5	206526	Pointer, Timing	1	
6	3003341	Belt, V Ribbed	1	
7	S-153	Screw, Hexagon Head Cap	1	7/16 - 14 X 5 inch
8	S-610	Washer, Lock	4	7/16 inch
9	103009	Screw, Hexagon Head Cap	1	7/16 - 14 X 1 1/4 inch
10	3176465	Screw, Hexagon Head Cap	2	7/16 - 14 X 5 1/2 inch
	3017670	Fan Idler Assem	1	
13	S-604	Washer, Lock	2	3/8 inch
14	205375	Screw, Twelve Point Cap	2	3/8 - 16 X 2 1/4 inch
15	3002993	Dowel, Ring	2	
	3009480	Pulley, Idler	1	
17	S-249	Nut, Regular Hexagon Jam	1	
18	S-640	Washer, Plain	1	
19	207603	Cover, Water Conn	1	
20	3003354	Bearing, Roller	1	
21	3004057	Nut, Lock	1	
22	3009481	Shaft, Idler	1	
23	3009482	Bracket, Idler Pulley	1	
24	3014449	Gasket, Flange	1	
	3016766	Pulley, Idler	1	
26	3009483	Pulley, Idler	1	
27	3065830	Seal, Oil	1	
28	3021470	Screw, Captive Washer Cap	2	5/16 - 18 x 3/4 inch
	3177131	Lever, Idler	1	
30	3628104	Screw, Hexagon Head Cap	1	5/8 - 11 x 6 1/2 inch
31	S-610	Washer, Lock	1	7/16 inch
32	S-2268	Fitting, Grease	1	
33	68171	Pin, Roll	2	
34	127454	Washer, Plain	1	5/8 inch
35	145581	Seal, O Ring	1	
36	185804	Screw, Hexagon Head Cap	1	7/16 - 14 X 1 3/8 inch
37	3009475	Shaft, Pivot	1	
38	3009477	Sleeve	2	
39	3019416	Spring, Torsion	1	
40	3023499	Cap, Idler Lever	1	
41	3177126	Support, Pivot Shaft	1	
42	3177127	Lever, Idler	1	
43	3177128	Sleeve, Wear	1	
44	3177129	Bearing, Thrust	2	
45	3016792	Seal, Oil	1	
46	S-195-B	Screw, Hexagon Head Cap	6	3/4 - 10 X 3 1/4 inch
47	S-611	Washer, Lock	6	3/4 inch
48	3016206	Bracket, Shock	1	
49	S-217	Nut, Heavy Hexagon	1	7/16 - 14 UNC
61	S-121-B	Screw, Hexagon Head Cap	1	7/16 - 14 X 2 1/2 inch
62	S-162-A	Screw, Hexagon Head Cap	1	7/16 - 14 x 2 3/4 inch
63	S-610	Washer, Lock	2	
64	S-622	Washer, Plain	2	
65	66747	Spacer, Throttle Bracket	1	
66	3008018	Absorber, Schock	1	



Ref No.	Part Number	Part Name	Req	Remarks
		<b>FAN DRIVE ARRANGEMENT OPTION FA6132</b>		Fan drive arrangement with engine mounted fan hub.  Fan center: 24 inch spacing: Dual damper K50. Gear cover: Cast closed over camshafts. Includes shock absorber in belt tensioner fan mounting bolts supplied in kit. 23rib "K" section v-ribbed belt and driver pulley both to be supplied by customer. Special option for Onan.
1	S-605	Washer, Lock	1	
2	206527	Screw, Twelve Point Cap	1	5/16 - 18 x 5/8 inch
3	S-603	Washer, Lock	4	5/8 inch
4	153581	Screw, Twelve Point Cap	4	5/8 - 11 X 2 inch
5	206526	Pointer, Timing	1	
6	3003343	Belt, V Ribbed	1	
7	S-153	Screw, Hexagon Head Cap	1	7/16 - 14 X 5 inch
8	S-610	Washer, Lock	4	
9	103009	Screw, Hexagon Head Cap	1	7/16 - 14 x 1 1/4 inch
10	3176465	Screw, Hexagon Head Cap	2	7/16 - 14 X 5 1/2 inch
11	3015460	Support, Fan	1	
	3017670	Fan Idler Assem	1	
13	S-604	Washer, Lock	2	3/8 inch
14	205375	Screw, Twelve Point Cap	2	3/8 - 16 X 2 1/4 inch
15	3002993	Dowel, Ring	2	
	3009480	Pulley, Idler	1	
17	S-249	Nut, Regular Hexagon Jam	1	3/4 - 16 UNF
18	S-640	Washer, Plain	1	3/4 inch
19	207603	Cover, Water Conn	1	
20	3003354	Bearing, Roller	1	
21	3004057	Nut, Lock	1	
22	3009481	Shaft, Idler	1	
23	3009482	Bracket, Idler Pulley	1	
24	3014449	Gasket, Flange	1	
	3016766	Pulley, Idler	1	
26	3009483	Pulley, Idler	1	
27	3065830	Seal, Oil	1	
28	3021470	Screw, Captive Washer Cap	2	5/16 - 18 X 3/4 inch
	3177130	Lever, Idler	1	
30	3628104	Screw, Hexagon Head Cap	1	5/8 - 11 x 6 1/2 inch
31	S-610	Washer, Lock	1	
32	S-2268	Fitting, Grease	1	
33	68171	Pin, Roll	2	
34	127454	Washer, Plain	1	
35	145581	Seal, O Ring	1	
36	185804	Screw, Hexagon Head Cap	1	7/16 - 14 x 1 1/2 inch
37	3009475	Shaft, Pivot	1	
38	3009477	Sleeve	2	
39	3019416	Spring, Torsion	1	
40	3023499	Cap, Idler Lever	1	
41	3177126	Support, Pivot Shaft	1	
42	3177127	Lever, Idler	1	
43	3177128	Sleeve, Wear	1	
44	3177129	Bearing, Thrust	2	
45	3016792	Seal, Oil	1	
		Continued On Next Page..		

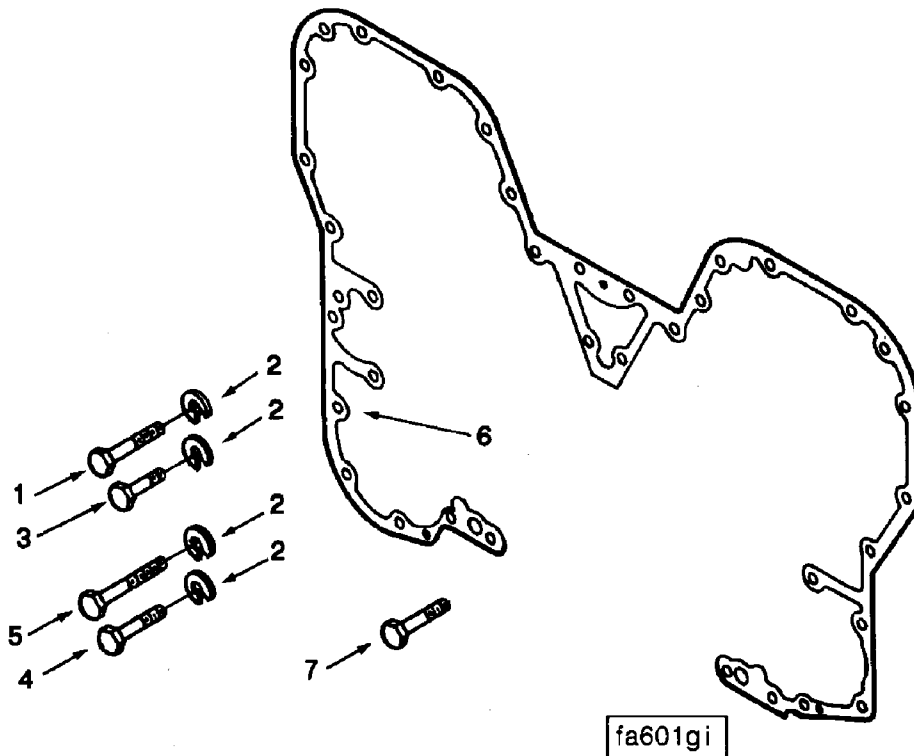


Ref No.	Part Number	Part Name	Req	Remarks
		<b>FAN DRIVE ARRANGEMENT</b>		
		<b>OPTION FA6132</b>		
46	S-174	Screw, Hexagon Head Cap	6	3/4 - 10 X 4 inch
47	S-611	Washer, Lock	6	3/4 inch
	3031545	Hub, Fan	1	
48	69771	Screw, Socket Head Cap	2	1/4 - 20 x 5/8 inch
49	145586	Seal, O Ring	1	
50	205168	Washer, Plain	1	
51	206507	Pilot, Fan	1	
52	185747	Seal, Oil	1	
53	206505	Bearing, Roller	2	
54	206506	Nut, Lock	1	
55	3627681	Spacer, Bearing (cone)	1	
56	206519	Spacer, Bearing	1	
57	206520	Ring, Retaining	1	
58	3628604	Plug, Pipe	2	
59	3031518	Shaft, Fan Hub	1	
60	3178564	Pulley, Fan	1	
61	S-121-B	Screw, Hexagon Head Cap	1	7/16 - 14 X 2 1/2 inch
62	S-162-A	Screw, Hexagon Head Cap	1	7/16 - 14 X 2 3/4 inch
63	S-610	Washer, Lock	2	7/16 inch
64	S-622	Washer, Plain	2	3/8 inch
65	104857	Spacer, Throttle Bracket	1	
66	3008018	Absorber, Schock	1	

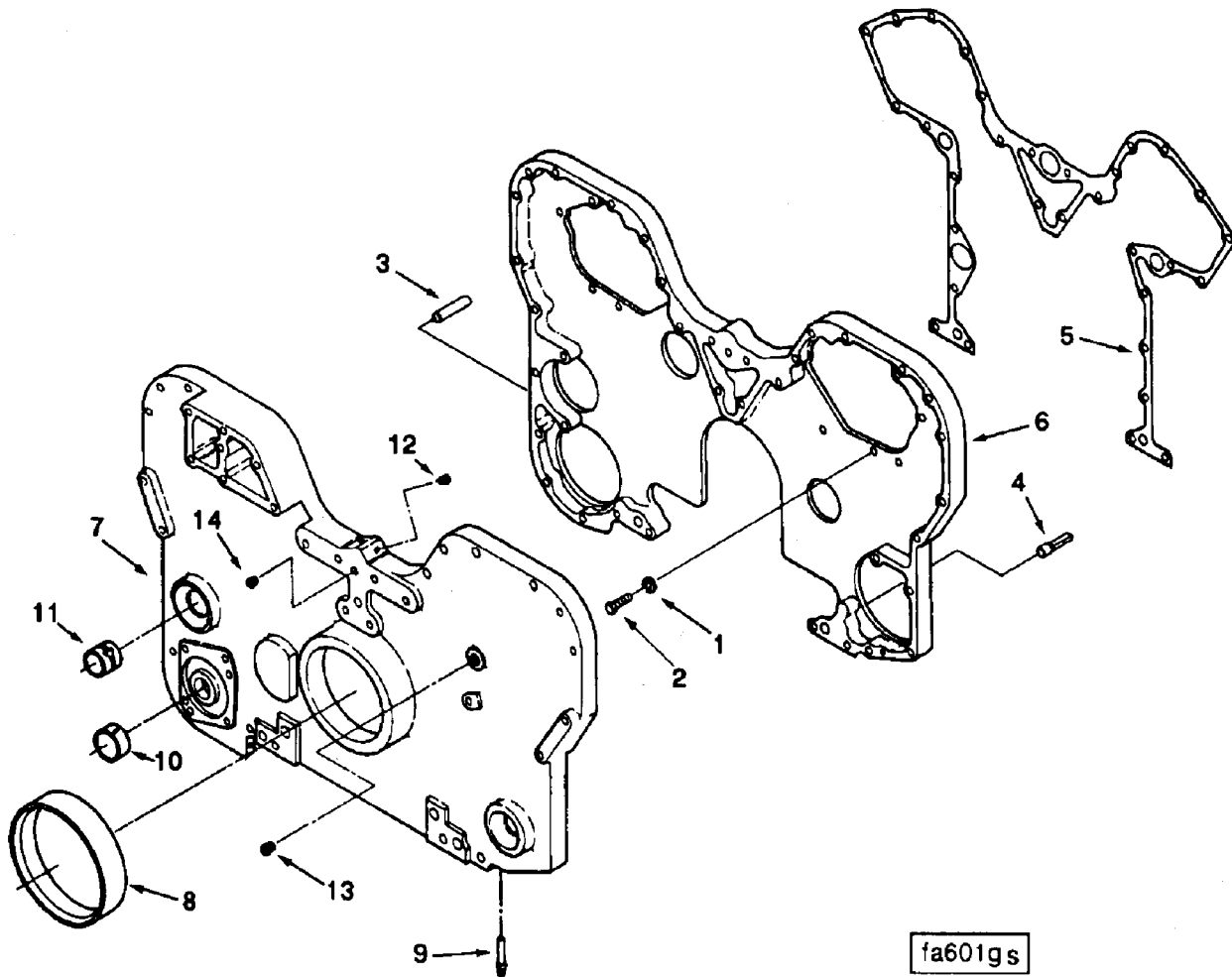


fa601gg

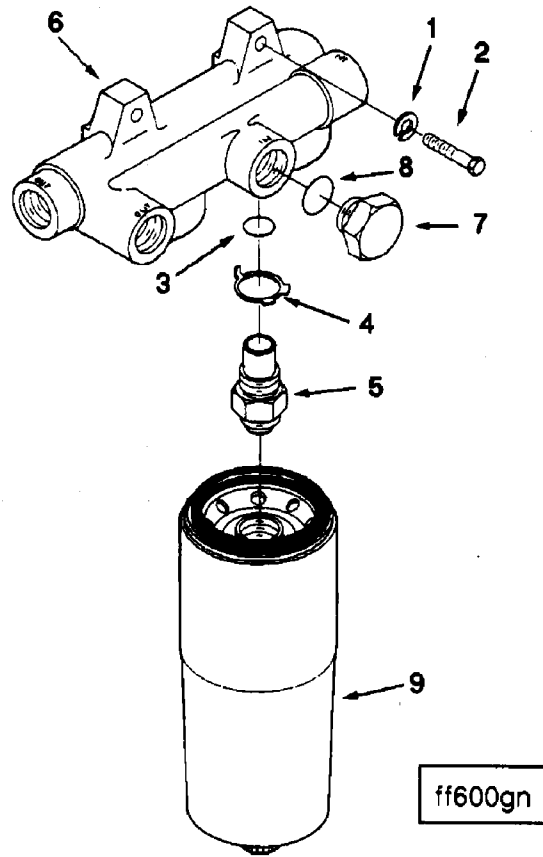
Part Number	Part Name	Req	Remarks
<b>GEAR COVER MOUNTING OPTION FA6702</b>			
S-217	Nut, Heavy Hexagon	2	7/16 - 14
S-610	Washer, Lock	26	
137890	Screw, Hexagon Head Cap	2	7/16 - 14 X 4 1/2 inch
S-127	Screw, Hexagon Head Cap	2	7/16 - 14 X 3 3/4 inch
102020	Screw, Hexagon Head Cap	7	7/16 - 14 x 2 1/4 inch
108767	Screw, Hexagon Head Cap	5	7/16 - 14 x 3 1/2 inch
110266	Screw, Hexagon Head Cap	6	7/16 - 14 x 4 inch
3177160	Gasket, Gear Cover	1	



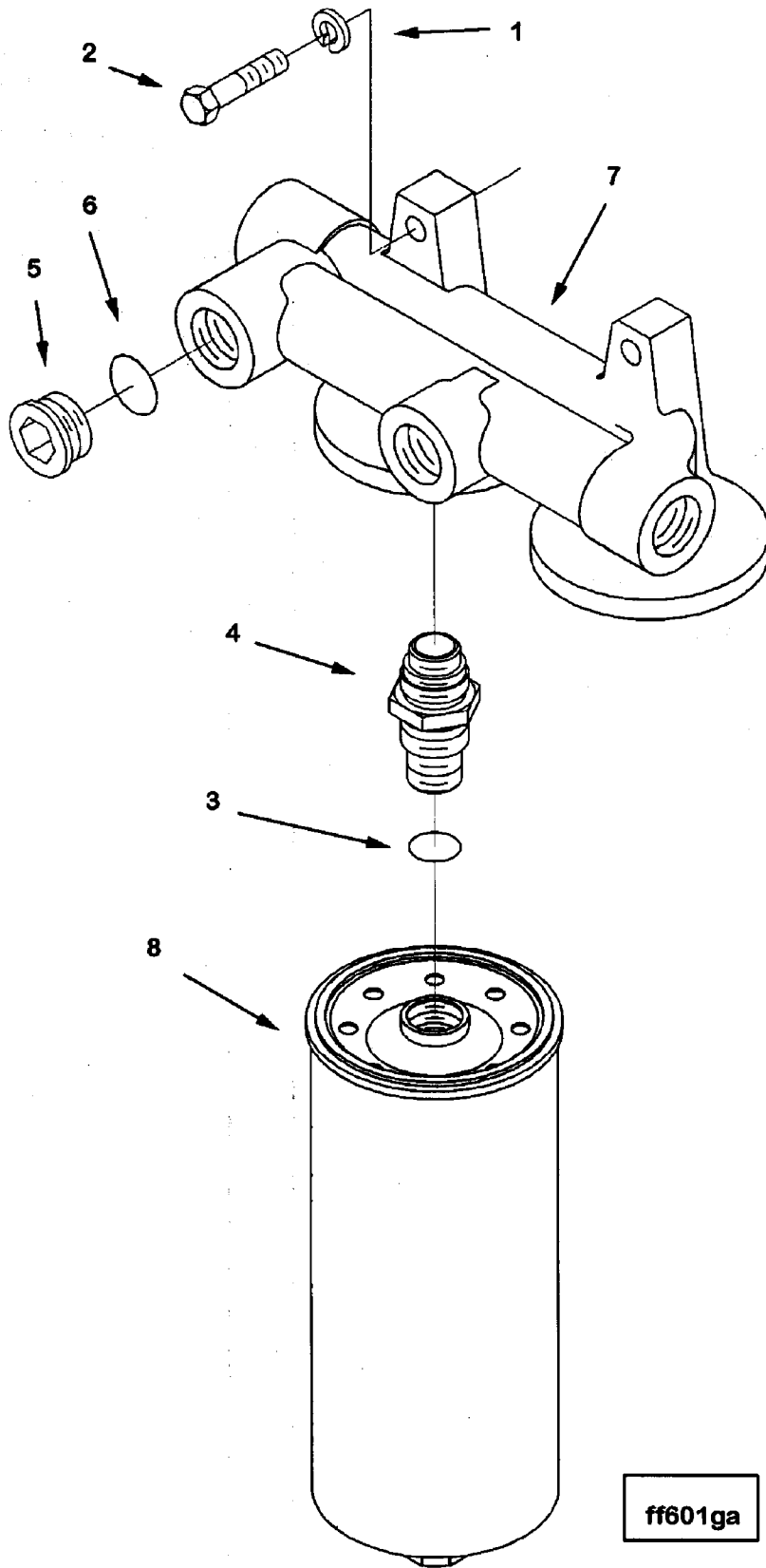
Ref No.	Part Number	Part Name	Req	Remarks
<b>GEAR COVER MOUNTING OPTION FA6703</b>				
1	S-127	Screw, Hexagon Head Cap	2	Gear cover mounting for use with alternator, less freon compressor. Use only with gear cover less cam cover openings.
2	S-610	Washer, Lock	22	
3	102020	Screw, Hexagon Head Cap	7	
4	108767	Screw, Hexagon Head Cap	5	
5	110266	Screw, Hexagon Head Cap	6	
6	3177160	Gasket, Gear Cover	1	
7	3069026	Screw, Hexagon Head Cap	2	



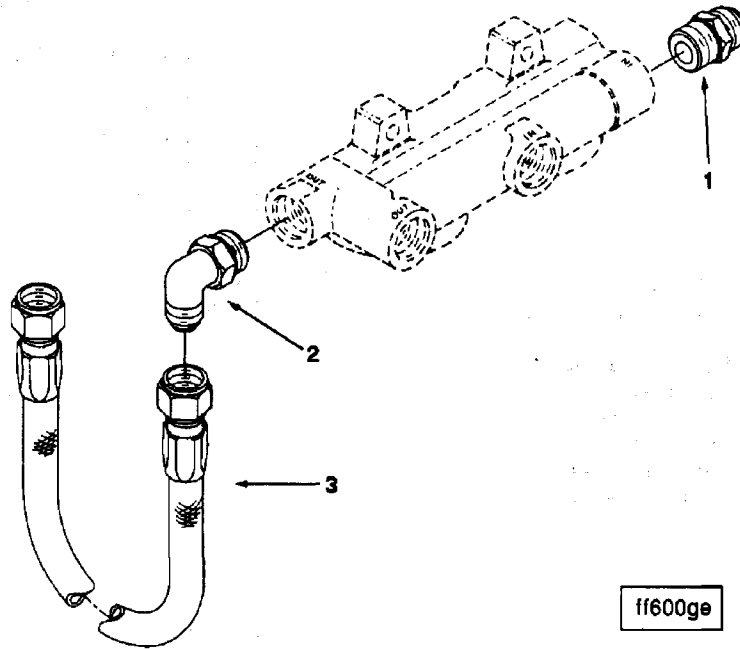
Ref No.	Part Number	Part Name	Req	Remarks
		<b>GEAR COVER MOUNTING OPTION FA6719</b>		Front gear cover and gear housing for use with front hydraulic pump drive provisions, and without sea water pumps. Special for Hitachi only.
1	S-610	Washer, Lock	15	
2	103009	Screw, Hexagon Head Cap	8	7/16 - 14 x 1 1/4 inch
3	138912	Dowel, Pin	1	
4	3176618	Dowel, Diamond	1	
5	3178076	Gasket, Gear Housing	1	
6	3176918	Housing, Gear	1	
	3069027	Cover, Gear	1	
7	3627026	Cover, Gear	1	
8	205683	Bushing	1	
9	3176649	Seal, Tamper Proof	6	
10	3177509	Bushing	1	
11	3177510	Bushing	2	
12	3628605	Plug, Pipe	2	
13	3628606	Plug, Pipe	1	
14	3628609	Plug, Pipe	1	



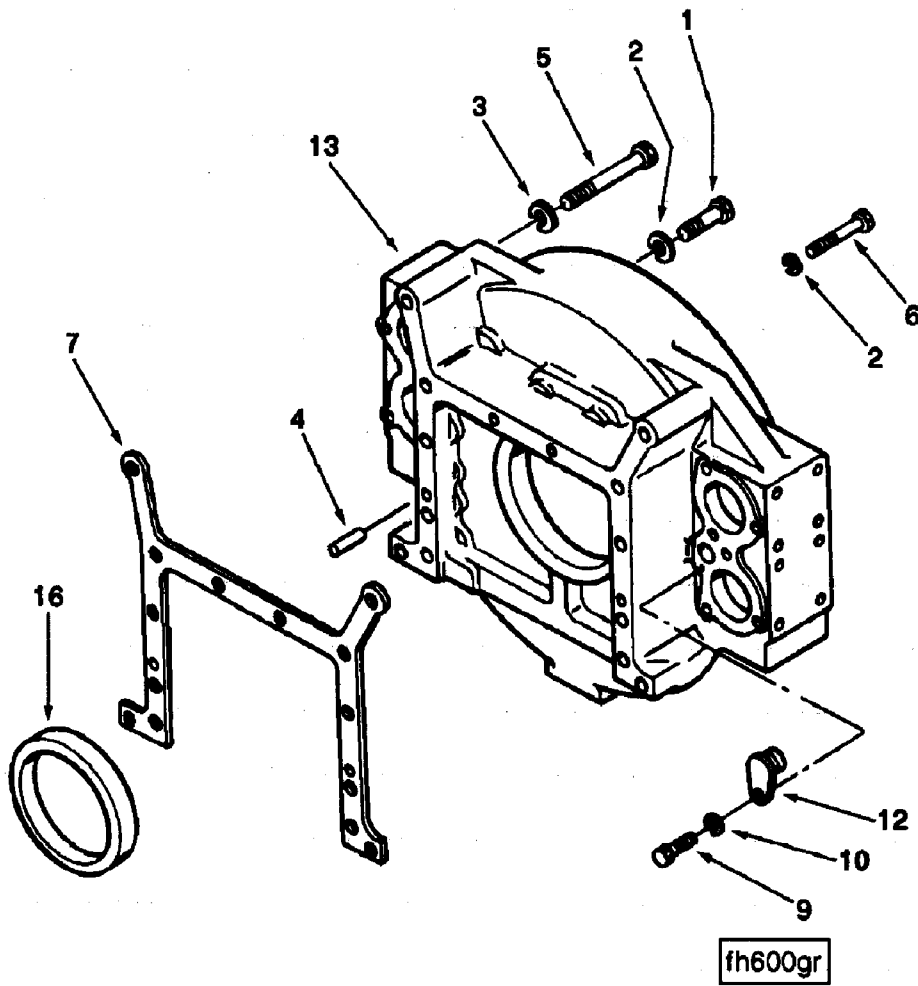
Ref No.	Part Number	Part Name	Req	Remarks
		<b>FUEL FILTER OPTION FF6042</b>		Caution: Not approved on engines in Marine service. On the left bank side on the engine below the fuel pump. For use with either less compressor or with compressor applications. Includes 90 degree 1 1/16 inch 12 Jic fuel inlet fitting mounted on the side of the filter head when used on KT38 and KTA38 configurations. Includes straight 1 1/16 inch 12 JIC fuel inlet fitting mounted on the side of the filter head when used on KTA38 (special for MCII) configurations. Includes straight 1 5/16 inch 12 JIC fuel inlet fitting mounted on the rear of the filter head when used on KTTA38, KTA50 and KTTA50 configurations.
1	S-610	Washer, Lock	2	
2	106069	Screw, Hexagon Head Cap	2	7/16 - 14 x 2 inch
	3032630	Head, Fuel Filter	1	
3	145507	Seal, O Ring	2	
4	3004272	Lockplate	2	
5	3010635	Adapter, Filter Head	2	
6	3630741	Head, Fuel Filter	1	
7	3201583	Plug, Threaded	2	1 5/16 - 12 UN
	3201585	Seal, O Ring	1	
8	3201585	Seal, O Ring	1	
9	3313306	Element, Fuel Water	2	



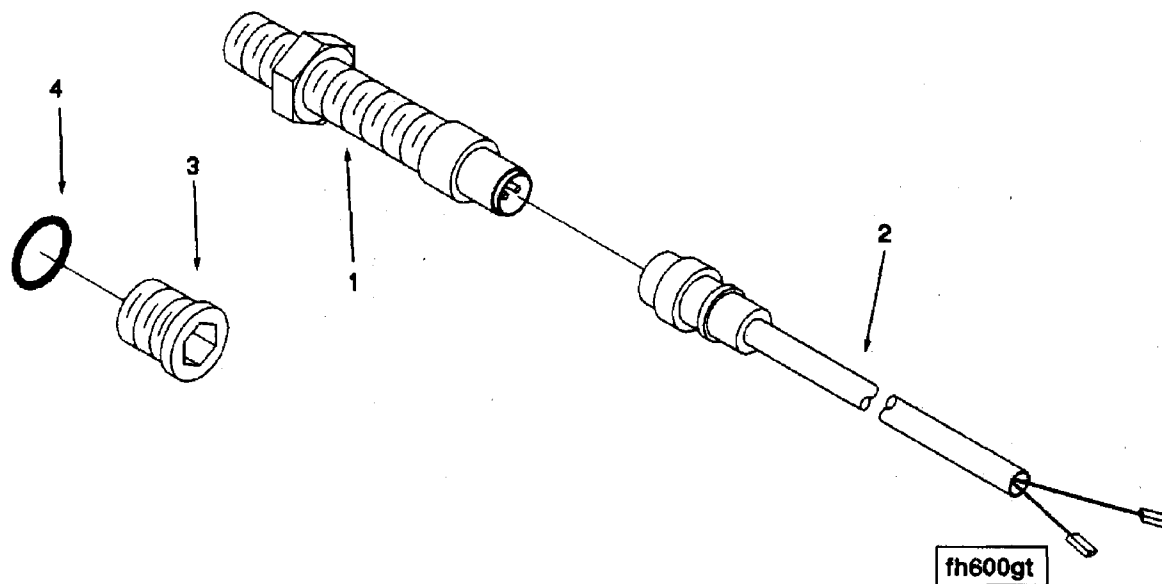
Ref No.	Part Number	Part Name	Req	Remarks
		<b>FUEL FILTER OPTION FF6044</b>		Dual element fuel filter with replaceable spin-on cartridges mounted on the left bank side of the engine below the fuel pump. For use either with compressor or less compressor applications. Includes 90 degree 1 1/16 inch 12JIC fuel inlet fitting mounted on the side of the filter head when used on KTTA 38, KTA50, and KTTA50 configurations. Or 90 degree 1 5/16 inch 12 JIC fuel inlet fitting mounted on the side of the filter head when used on the KTA50-L configuration.
1	S-610	Washer, Lock	2	
2	106069	Screw, Hexagon Head Cap	2	
3	145507	Seal, O Ring	2	
4	3010635	Adapter, Filter Head	2	
	3201583	Plug, Threaded	2	1 5/16 - 12 UN
5	3040911	Plug, Threaded	2	
6	3201585	Seal, O Ring	2	
7	3630741	Head, Fuel Filter	1	
8	3313304	Separtor, Fuel Water	2	



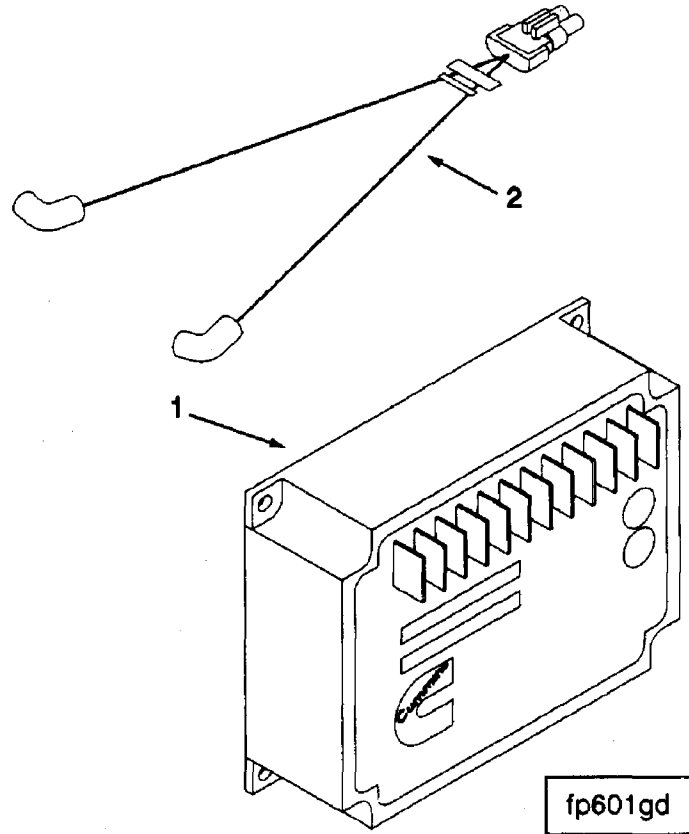
Ref No.	Part Number	Part Name	Req	Remarks
<b>FUEL FILTER PLUMBING</b>				
<b>OPTION FF6736</b>				
				Fuel filter plumbing for dual element fuel filter or fuel filter/water separator mounted on the left bank side of the engine below the fuel pump. Includes straight 1 5/16inch 12JIC fuel inlet fitting. For use with KTA38- G2 D233020DX02 (special for Fermont only) KTTA38, KTA50, and KTTA50.
1	3032627	Union, Male	1	
2	3032628	Elbow, Male Union	1	
3	3175810	Hose, Flexible	1	



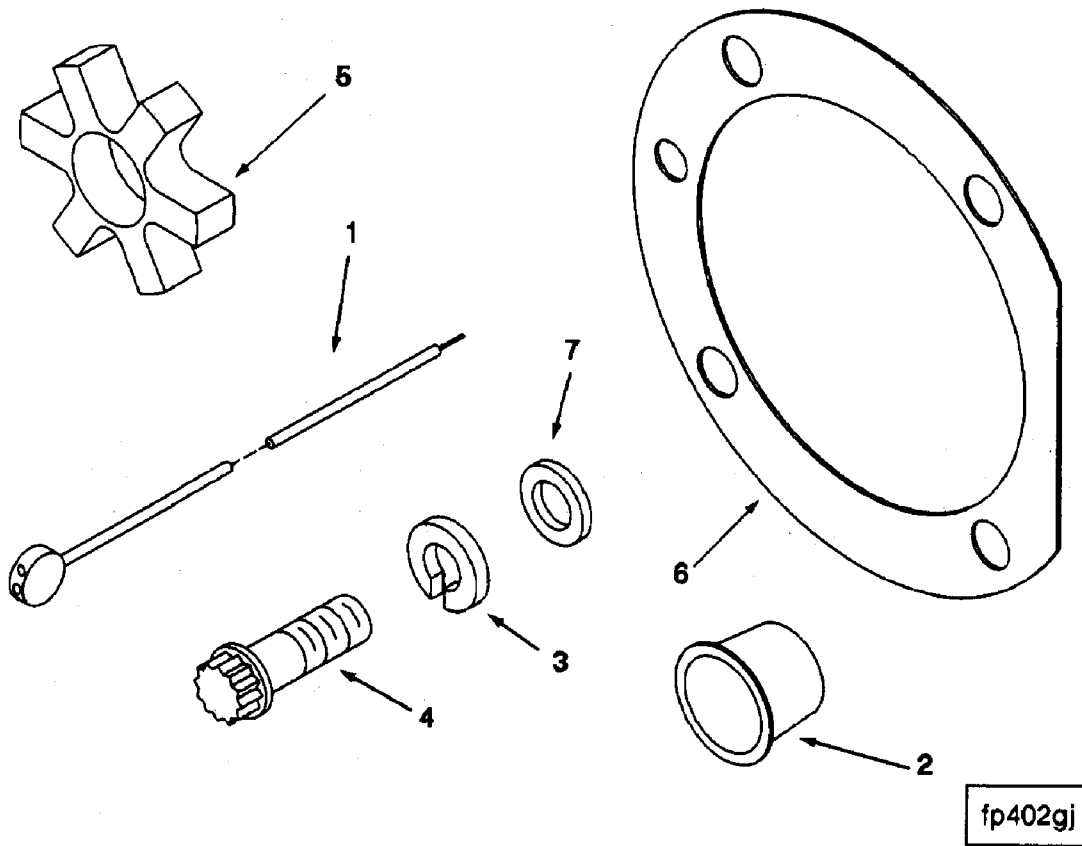
Ref No.	Part Number	Part Name	Req	Remarks
		<b>FLYWHEEL HOUSING OPTION FH6024</b>		SAE no. '0' flywheel housing for dry application. Housing has 5/8-18 and 3/4-16 tapped holes for mounting magnetic pick-up. Cannot be used with rear hydraulic pump drive option.
1	S-150-A	Screw, Hexagon Head Cap	10	3/4 - 10 X 6 inch
2	S-611	Washer, Lock	12	3/4 inch
3	S-610	Washer, Lock	2	
4	70662	Dowel, Pin	2	
	69752	Dowel, Pin	A/R	.015 Oversize
	69752-A	Dowel, Pin	A/R	.030 Oversize
	69752-B	Dowel, Pin	A/R	.040 Oversize
	69752-C	Dowel, Pin	A/R	.060 Oversize
5	205565	Screw, Twelve Point Cap	2	3/4 - 10 x 7 inch
6	3176465	Screw, Hexagon Head Cap	2	7/16 - 14 x 5 1/2 inch
7	3630874	Gasket, Flywheel Housing	1	
9	S-167-A	Screw, Hexagon Head Cap	2	1/4 - 20 x 7/8 inch
10	S-600	Washer, Lock	2	1/4 inch
12	3010410	Cover, Access Hole	2	
13	3176637	Housing, Flywheel	1	
16	3082142	Seal, Oil	1	



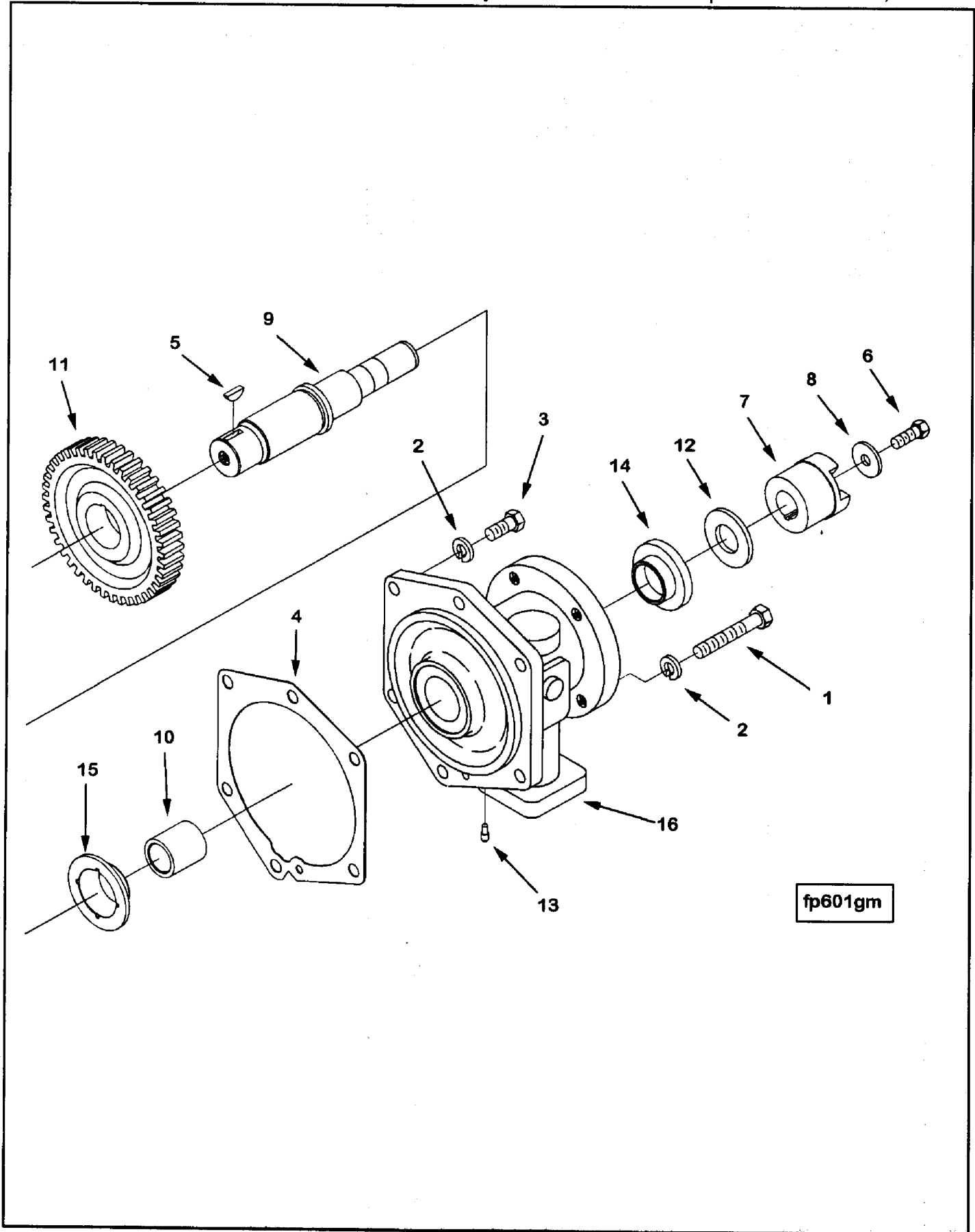
Ref No.	Part Number	Part Name	Req	Remarks	
		<b>MAGNETIC PICKUP OPTION FH8715</b>			
1	213272	Pickup, Magnetic	1	5/8-18 UNF magnetic pick-up for use with SAE # 0 SAE #1, and SAE #2 flywheel housings. Required with Woodward 2301 electro- hydraulic governors, American Bosch governors, Cummins EFC governors, tachometers, and speed switches. Option includes the plug for the 3/4-16 UNF magnetic pick-up location in the flywheel housing (both wet and dry).	
2	213273	Harness, Wiring	1		
3	3046202	Plug, Threaded	1		3/4 - 16 UNF
4	3040810	Plug, Threaded	1		
	3046201	Seal, O Ring	1		



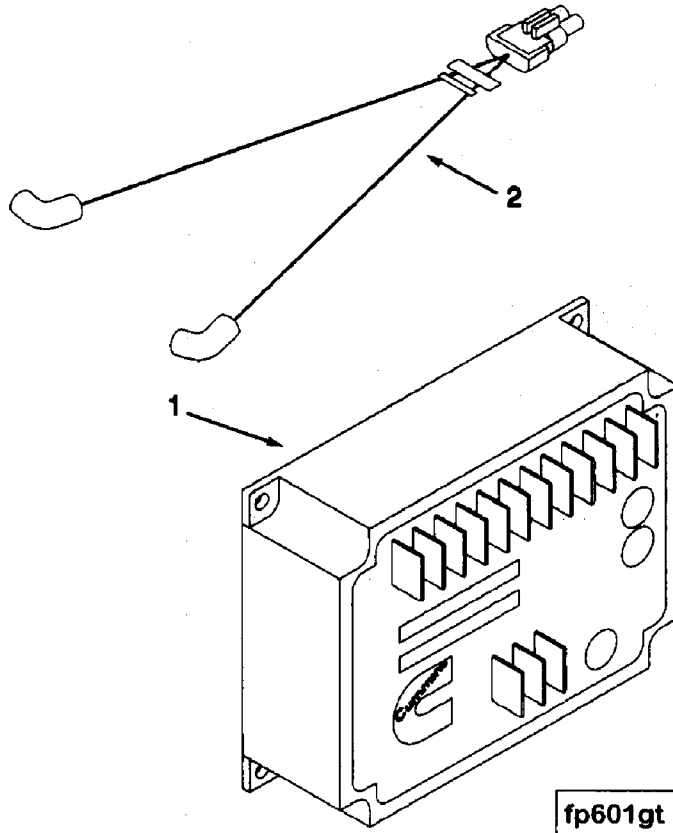
Ref No.	Part Number	Part Name	Req	Remarks
		<b>CUMMINS EFC GOVERNOR OPTION FP6155</b>		Cummins electric fuel control governor (24volt DC normally open) system. Has limiting speed governor. EFC governor actuator is installed in the fuel pump AFC cavity. Includes bushed gear pump for use with JP-4 fuel. Has a control unit with speed and droop adjustments, and wiring harness supplied in the kit. Control unit requires a 24volt DC negative ground power supply. Without load sensing module. The governor actuator moves to the fully closed position with electrical failure, or shutdown.
1	3062322	Control, Governor	1	
2	3063683	Harness, Wiring	1	



Ref No.	Part Number	Part Name	Req	Remarks
		<b>CUMMINS EFC GOVERNOR</b> <b>OPTION FP6155</b> <b>OPTION FP6204</b>		
1	3003156	Seal, Wire	2	
2	3175550	Cover, Protective	1	
3	S-610	Washer, Lock	4	
4	206326	Screw, Twelve Point Cap	4	
5	3046200	Spider, Jaw Coupling	1	
6	3069103	Gasket, Fuel Pump	1	
7	3175027	Washer, Plain	4	

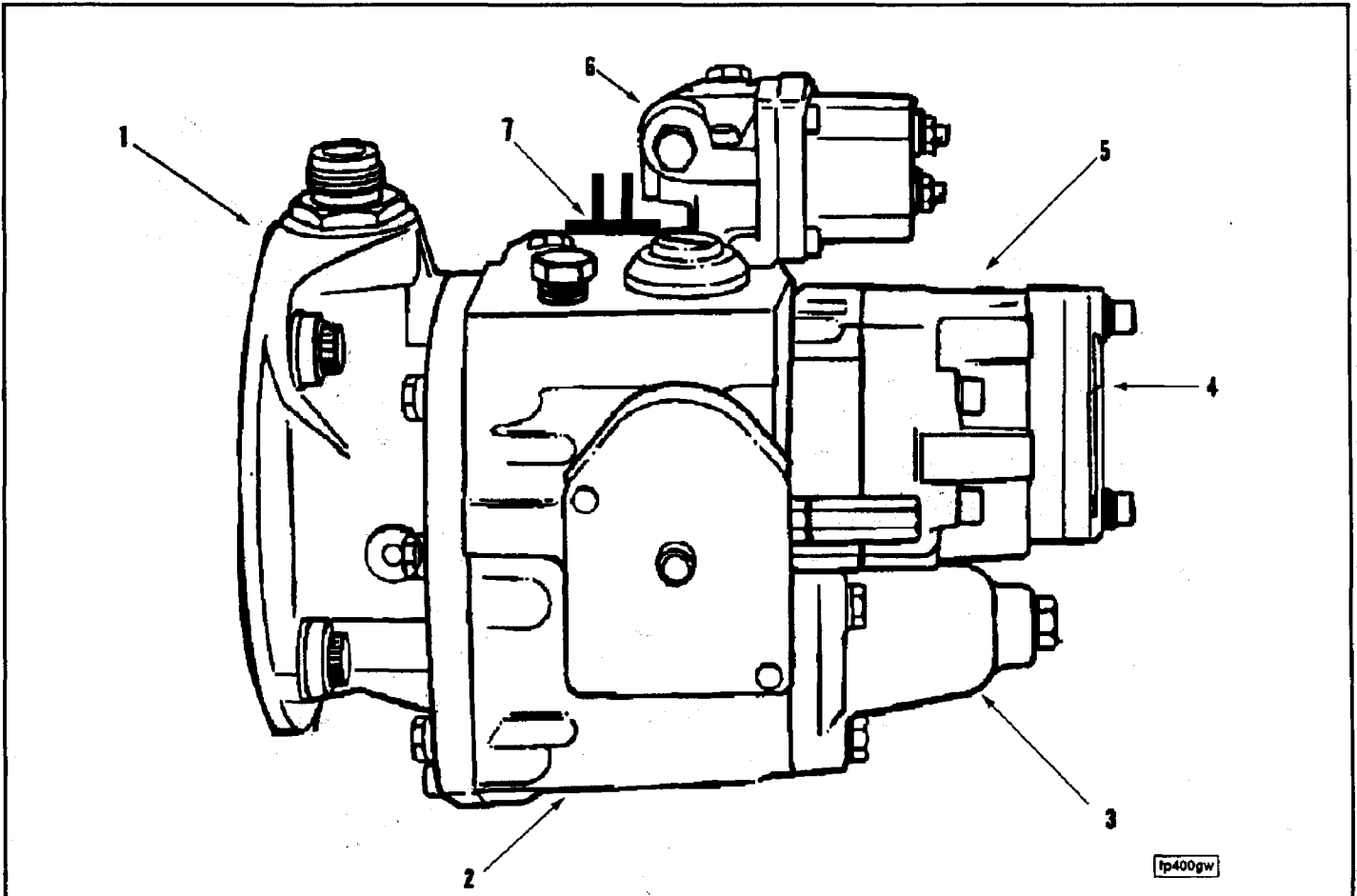


Ref No.	Part Number	Part Name	Req	Remarks
		<b>FUEL PUMP SUPPORT</b>		
		<b>OPTION FP6155</b>		
		<b>OPTION FP6204</b>		
1	S-162-A	Screw, Hexagon Head Cap	4	
2	S-610	Washer, Lock	6	
3	103023	Screw, Hexagon Head Cap	2	
4	3046852	Gasket, Acc Drive Support	1	
	3022725	Support, Fuel Pump	1	
5	S-316	Key, Plain Woodruff	2	
6	129510	Screw, Hexagon Head Cap	1	
7	158826	Coupling, Fp Drive Half	1	
8	170664	Washer, Plain	1	
9	206646	Shaft, Fuel Pump Drive	1	
10	206664	Spacer, Hourmeter D Gea	1	
11	207253	Gear, Accessory Drive	1	
12	3014103	Washer, Plain	1	
	3631005	Support, Fuel Pump	1	
13	3176552	Seal, Tamper Proof	1	
14	3629856	Bushing	1	
15	3629857	Bushing	1	
16	(3629858)	Support, Fuel Pump	1	

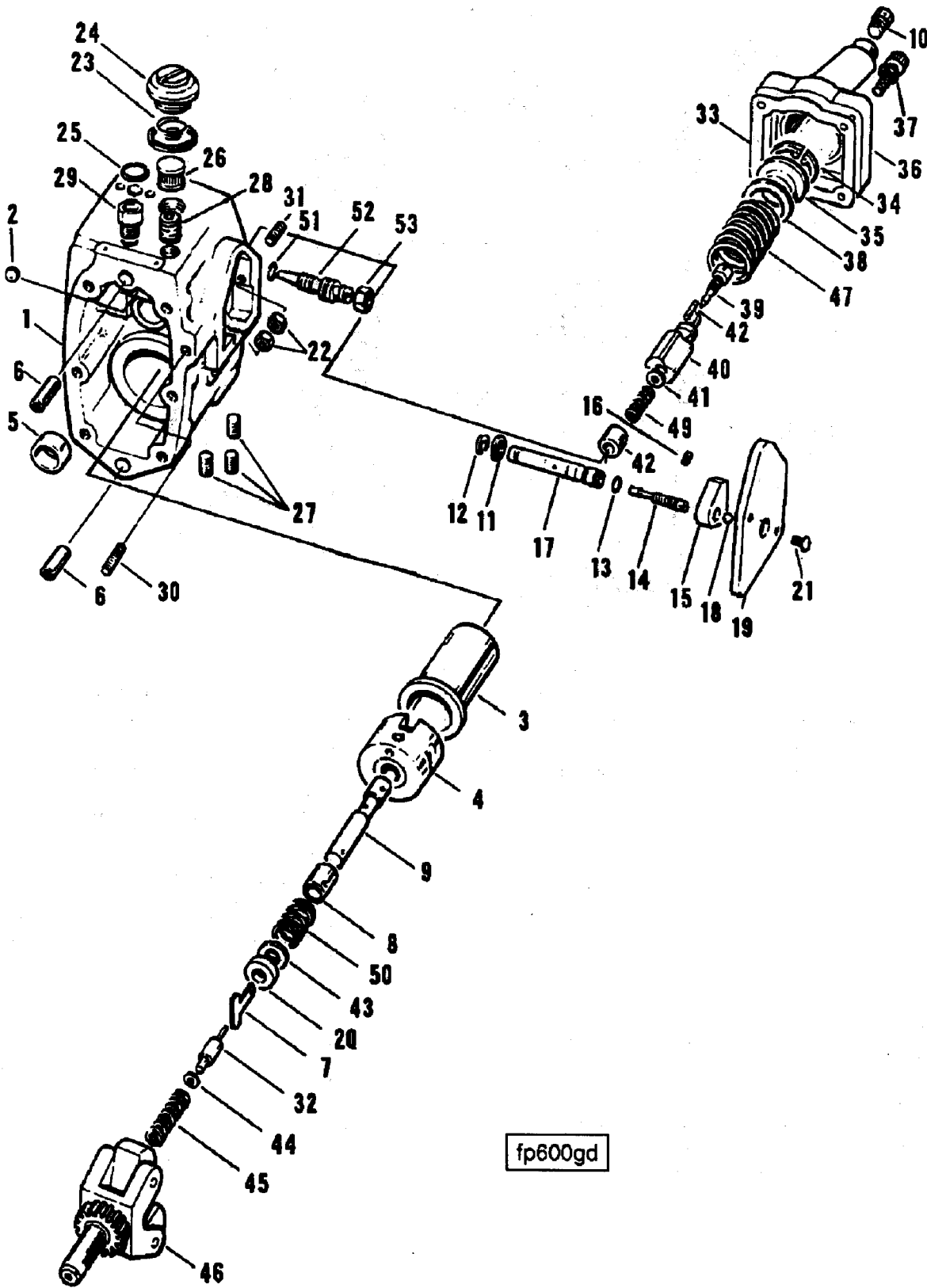


fp601gt

Ref No.	Part Number	Part Name	Req	Remarks
		<p><b>CUMMINS ELECTRONIC FUEL CONTROL GOVERNOR</b> <b>OPTION FP6204</b></p>		<p>Cummins electric fuel control governor (24volt DC normally closed) system.</p> <p>Fuel pump governor: Limiting speed. EFC governor actuator is installed in the fuel pump AFC cavity. Includes bushed gear pump for use with jp-4 fuel.</p> <p>Includes an engine mounted magnetic pick-up.</p> <p>Includes a C.E. Analog control unit with speed and droop adjustments and wiring harness supplied in the kit. Complies with electromagnetic compatibility regulations, C.E. Certification per the EMC directive.</p> <p>Control unit requires a 24volt DC negative ground power supply. Without load sensing module.</p> <p><b>Note:</b> The Governor Actuator Moves To The fully closed position with electrical failure or shutdown.</p>
1	3098693	Control, Governor	1	
2	3063683	Harness, Wiring	1	

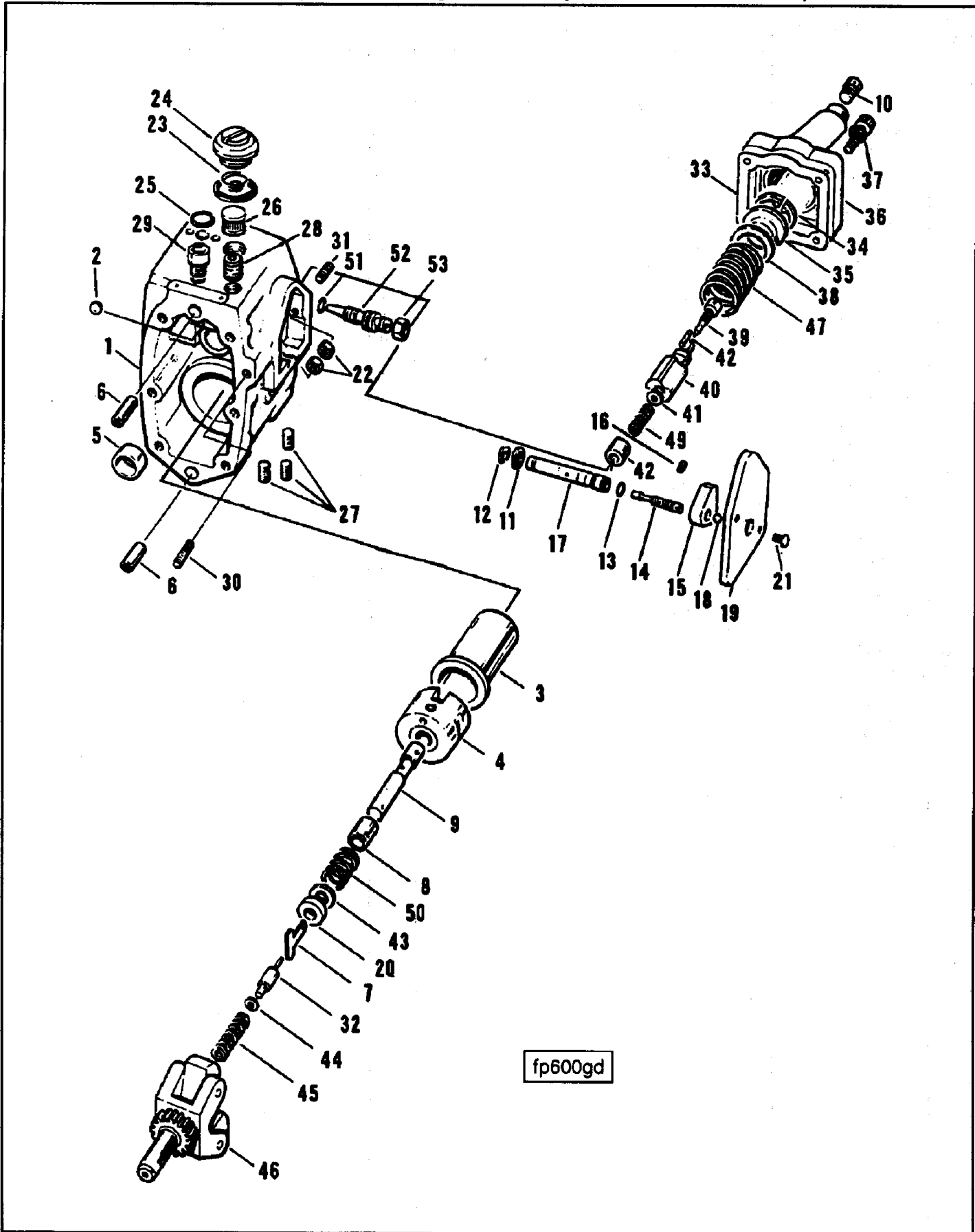


Ref No.	Part Number	Part Name	Req	Remarks
		<b>FUEL PUMP OPTION FP6771</b>		Cummins electric fuel control governor. (24 volt DC normally closed) system. Fuel pump: PT type G. Fuel pump governor: Limiting speed. EFC governor actuator is installed in the fuel pump AFC cavity. Includes fuel pump and accessory drive for use with Cummins electric fuel control governor. Includes 'High Flow' actuator and dedicated housing. Note: The governor actuator moves to the fully closed position with electrical failure, or shutdown.
	3075537	Pump, Fuel	1	
1	3030267	Cover, Fuel Pump Front	1	
2	3279620	Housing, Fuel Pump	1	
3	3021977	Cover, Spring	1	
5	3034221	Pump, Gear Fuel	1	
7	3085220	Actuator, Etr Fuel Control	1	
4	AR12112	Damper, Fuel Pump & Mtg.	1	
6		Fuel Shutoff Valve	1	Reference FV8036

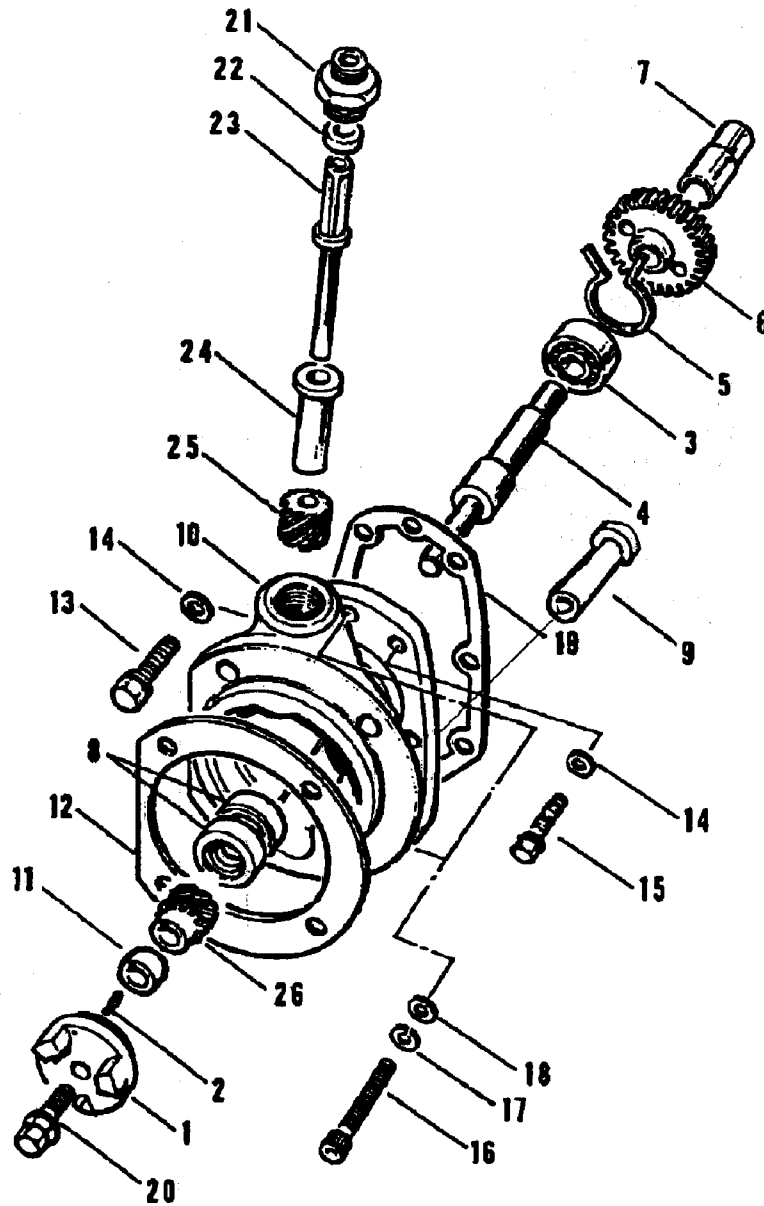


fp600gd

Ref No.	Part Number	Part Name	Req	Remarks
		<b>HOUSING, FUEL PUMP</b>		
		<b>OPTION FP6771</b>		
	3279620	Housing, Fuel Pump	1	
1	3279691	Body, Fuel Pump	1	(3279690)
2	214139	Ball, Plug AFC	3	
3	3036970	Housing, Spring Pack	1	
4	3058559	Barrel, Governor	1	
5	100193	Bushing, Tachometer Drive	1	
6	118227	Dowel, Ring	2	
	3010810	Plunger, Governor	1	
7	70690	Driver, Governor Plunger	1	
8	3048557	Spacer, Bearing	1	
9	3009380	Plunger, Governor	1	
10	3025459	Plug, Pipe	3	
11	100478	Seal, O Ring	1	
12	163945	Ring, Retaining	1	
13	213768	Seal, O Ring	1	
14	3006175	Screw, Fuel Pump Adjusting	1	1/4 - 28 x 1.84 inch
	3006440	Assembly, Throttle Shaft	1	
15	3006343	Stop, Throttle Lever	1	
16	3006344	Screw, Set Hex Flat S'K'T	2	1/4 - 28 x 3/8 inch
17	3046690	Shaft, Throttle	1	
18	213769	Plug, Ball	1	
19	3000446	Cover, Fuel Control	1	
20	3027633	Bearing, Thrust	1	
21	S-2286	Screw, Drive	4	
22	S-270	Nut, Regular Hexagon	2	1/4 - 28
23	70700	Spring, Compression	1	
24	157088	Cap, Fuel Pump Filter	1	
25	154088	Seal, Rectangular Ring	1	
26	146483	Screen, Filter	1	
27	3025460	Plug, Pipe	4	
28	195265	Plug, Pipe	1	
30	3046407	Screw, Socket Set	2	1/4 - 28 x 1 1/2 inch
31	110058	Nut, Fuel Pump Adjusting	1	
32	144178	Plunger, Gov Wgt Assist	1	
		Continued On Next Page...		

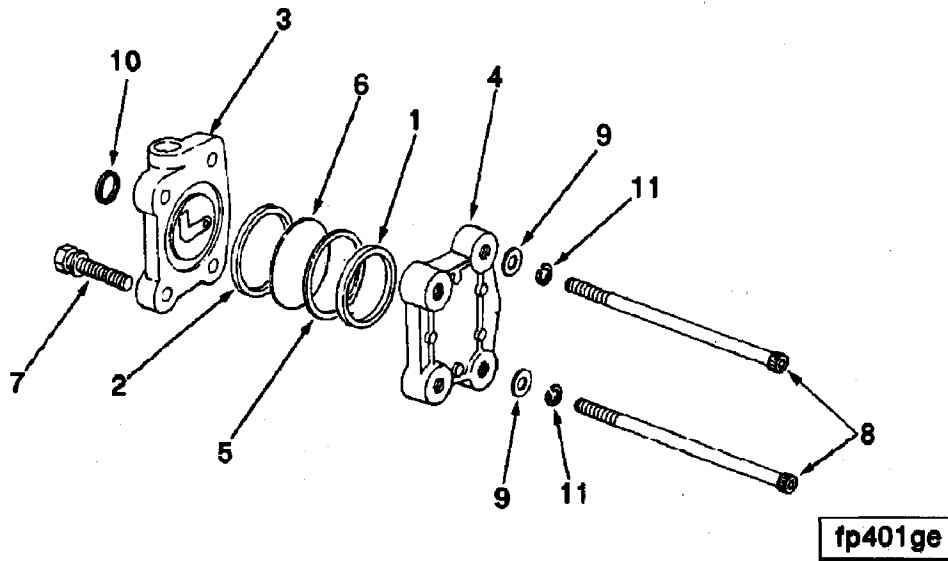


Ref No.	Part Number	Part Name	Req	Remarks
		<b>HOUSING, FUEL PUMP</b>		
		<b>OPTION FP6771</b>		
		Continuation Of 3279620		
33	70705	Gasket, Spring Pack Flange	1	
34	S-16240	Ring, Retaining	2	
35	70713	Retainer, Spring	1	
36	44678	Cover, Spring Pack	1	
37	3017051	Capscrew, Captive Washer	2	1/4 - 20 x 1 1/8 inch
38	70717	Shim, Governor	6	
38	70717-A	Shim, Governor	1	
38	70717-B	Shim, Governor	1	
39	70716	Screw, Knurled	1	3/16 - 28 x 1 1/4 inch
40	3036472	Guide, Idle Spring	1	
41	70715	Washer, Plain	1	
42	211635	Pin, Governor	2	
43	101841	Shim	A/R	.005 Inch
43	101842	Shim	A/R	.010 Inch
43	101843	Shim	A/R	.020 Inch
44	144179	Shim	7	
45	143854	Spring, Compression	1	
46	3024991	Assy, Governor Carrier	1	
47	3004957	Spring, Governor Max	1	
48	141629	Plunger, Idle Spring	1	
49	3032014	Spring, Compression	1	
50	3018767	Spring, Compression	1	
51	68061-A	Seal, O Ring	1	

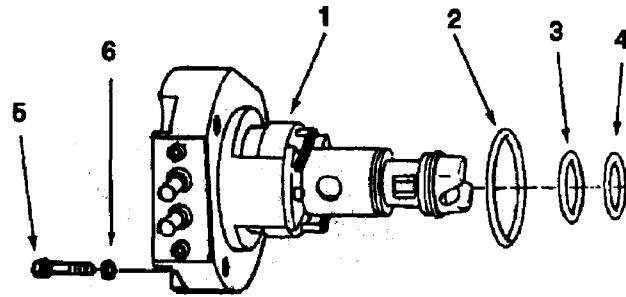


fp400gr

Ref No.	Part Number	Part Name	Req	Remarks
		<b>COVER, FUEL PUMP FRONT</b>		
		<b>OPTION FP6771</b>		
	3030267	Cover, Fuel Pump Front	1	
1	212613	Hub, Jaw Coupling	1	
2	212668	Key, Square	1	
	3028372	Assy, Main Drive	1	
3	S-16052	Bearing, Ball	1	
4	212601	Shaft, Fuel Pump	1	
5	212604	Ring, Retaining	1	
6	212605	Gear, Fuel Pump	1	
7	212639	Adapter, Spline	1	
8	3062676	Seal, Oil	2	
	3028368	Assy, Cover And Bushing	1	
9	163944	Bushing	1	
10	3063054	Cover, Fuel Pump	1	
11	3004724	Spacer	1	
12	3048341	Gasket, Fuel Pump	1	
13	3018682	Capscrew, Hexagon Head	1	1/4 - 20 x 1 inch
14	70704	Washer	3	17/64
15	3017051	Capscrew, Captive Washer	5	1/4 - 20 x 1 1/8 inch
16	118226	Capscrew, Socket Head	1	3/16 - 24 x 1 1/4 inch
17	S-606	Washer, Lock	1	
18	103089	Washer, Plain	1	
19	3063052	Gasket, Front Cover	1	
20	3017052	Capscrew, Captive Washer	2	1/4 - 20 x 1 1/8 inch
21	3002110	Connector, Male	1	
22	212603	Seal, Oil	1	
	3015665	Assy, Tach Drive	1	
23	212607	Shaft, Tach Drive	1	
24	212609	Bushing, Tach Drive	1	
25	212610	Gear, Tach Drive	1	
26	212602	Gear, Tach Drive	1	

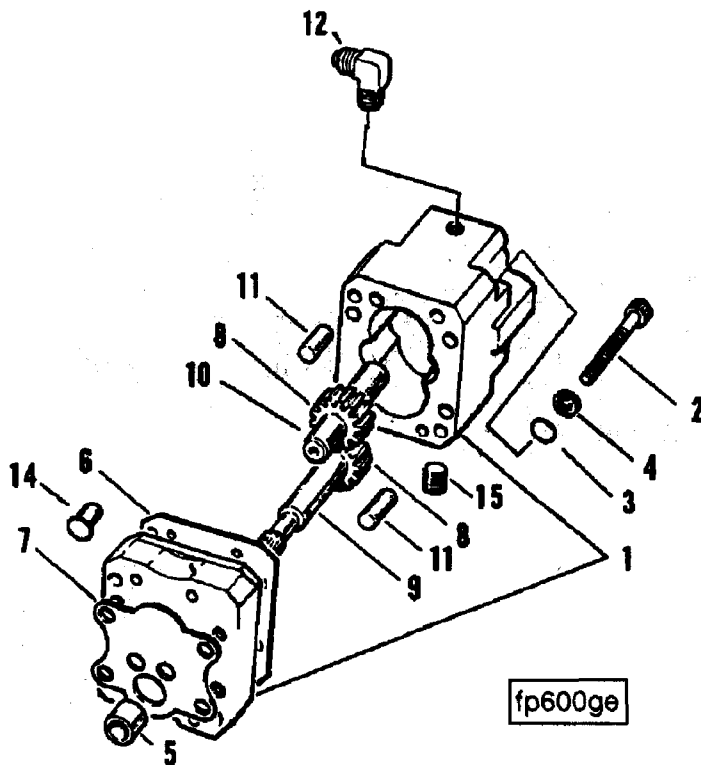


Ref No.	Part Number	Part Name	Req	Remarks
		<b>DAMPER, FUEL PUMP &amp; MTG. OPTION FP6771</b>		
	AR12112	Damper, Fuel Pump & MTG.	1	
	BM76340	Assembly, Fuel Pump Damper	1	
1	100099	Seal, Rectangular Ring	1	
2	139988	Seal, Rectangular Ring	1	
3	153336	Body, Fuel Pump Damper	1	
4	153338	Cover, Fuel Pump Damper	1	
5	160514	Washer, Plain	1	1/4 inch
6	202897	Diaphragm, Damper	1	
7	3017051	Capscrew, Captive Washer	2	1/4 - 20 x 1 1/8 inch
8	153346	Capscrew, Socket Head	2	1/4 - 20 x 4 inch
9	70704	Washer, Plain	2	1/4 inch
10	151900	Seal, Rectangular Ring	1	
11	181466	Washer, Lock	2	1/4 inch

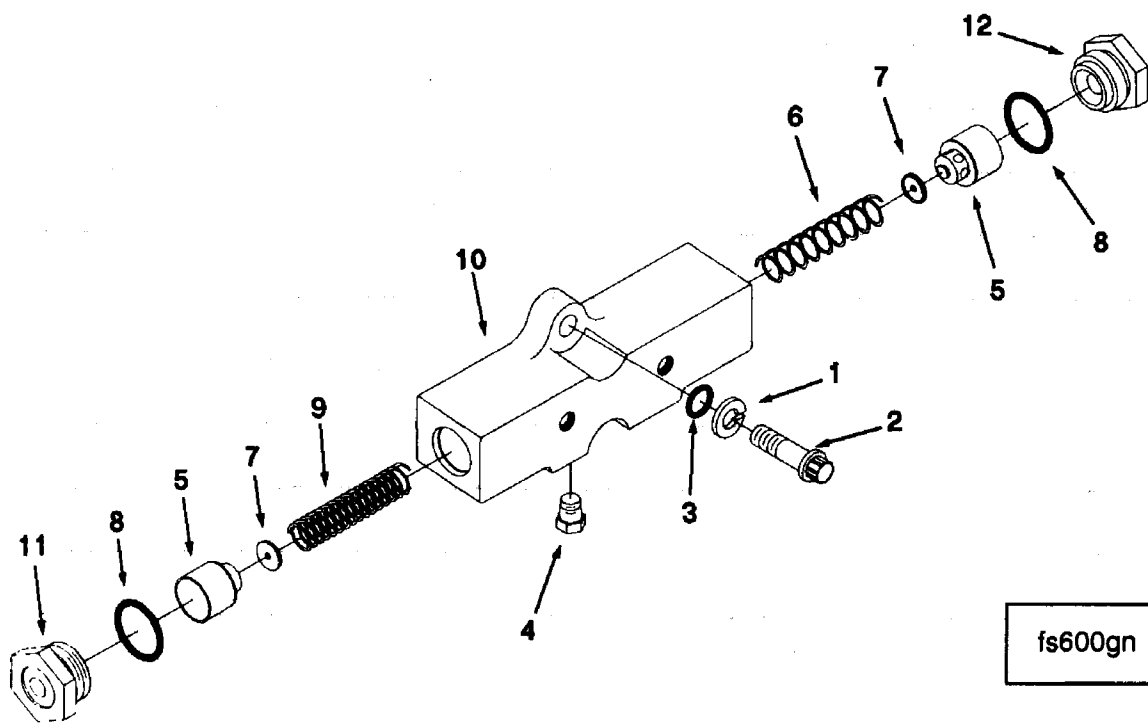


fp401gv

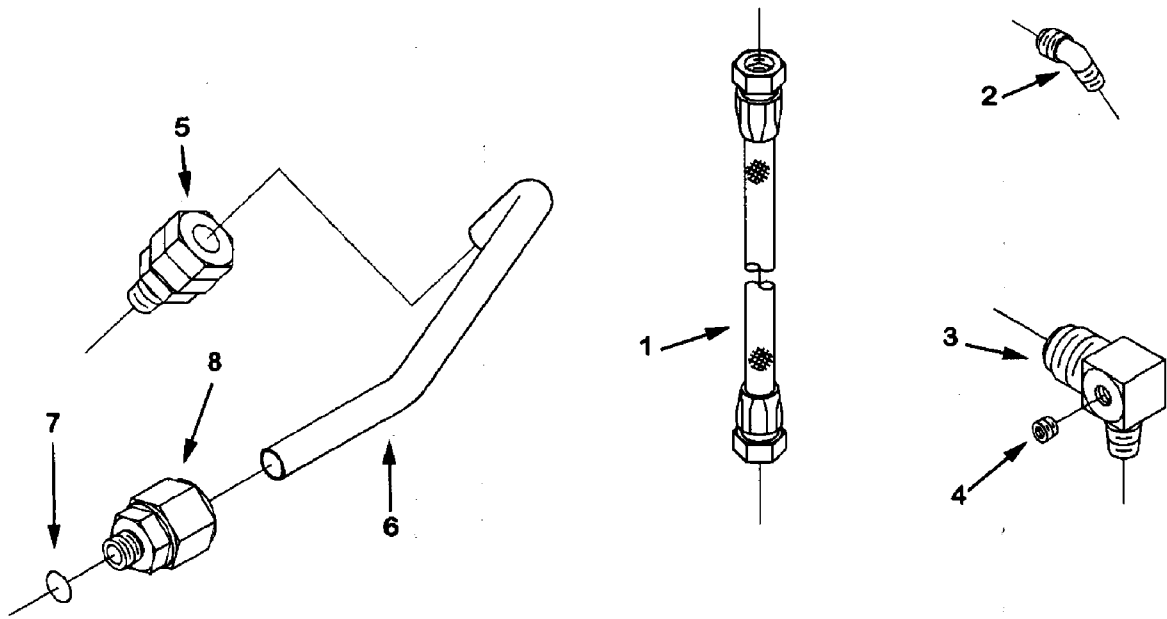
Ref No.	Part Number	Part Name	Req	Remarks
		<b>ACTUATOR, ETR FUEL CONTROL OPTION FP6771</b>		
1	3085220	Actuator, Etr Fuel Control	1	
2	3048182	Seal, O Ring	1	
3	145505	Seal, O Ring	1	(3042542)
4	145505	Seal, O Ring	1	(3066914)
5	3017051	Screw, Captive Washer Cap	3	1/4 - 20 x 1 1/8 inch
6	70704	Washer, Plain	3	



Ref No.	Part Number	Part Name	Req	Remarks
		<b>PUMP, GEAR FUEL OPTION FP6771</b>		
	3034221	Pump, Gear Fuel		
1	3033739	Cover, Fuel Pump Gear	1	
2	100129	Capscrew, Socket Head	6	1/4 - 20 x 2 3/4 inch
3	70704	Washer, Plain	6	
4	181466	Washer, Lock	6	
5	3033719	Dowel, ring	1	
6	110855	Gasket, Fuel Pump	1	
7	3026163	Gasket, Fuel Pump	1	
	3016611	Gear And Shaft	1	
8	119364	Gear, Fuel Pumping	1	
9	100217	Shaft, Fuel Pump Drive	1	
	3019617	Gear And Shaft	1	
8	119364	Gear, Fuel Pumping	1	
10	175865	Shaft, Fuel Pump Drive	1	
11	64816-A	Dowel, Pin	2	
14	3050624	Valve, Pressure Regulator	1	
15	3033742	Plug, Threaded	2	

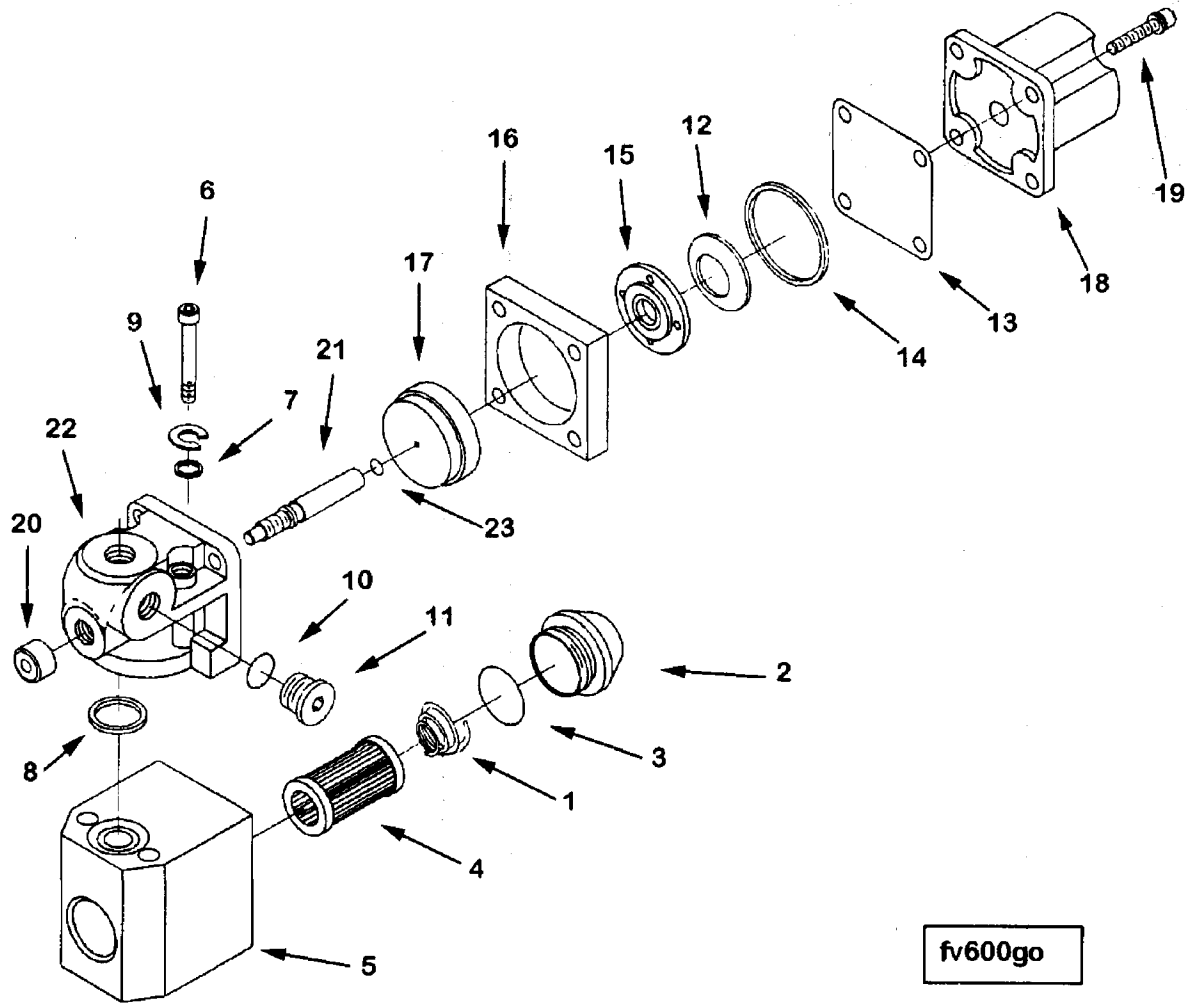


Ref No.	Part Number	Part Name	Req	Remarks
		<b>FUEL BLOCK</b>		
		<b>OPTION FS6013</b>		
				Standard fuel block with integral check valves.
1	S-604	Washer, Lock	2	
2	191772	Screw, Twelve Point Cap	2	3/8 - 16 X 1 1/4 inch
3	3818885	Seal, O Ring	2	
	3629408	Connection, Fuel Block	1	
4	70295	Plug, Pipe	2	
5	650826	Plunger, Fuel Control	2	
6	650829	Spring, Compression	1	
7	651045	Seal, Grommet	2	15/32 inch
8	3046943	Seal, O Ring	2	
9	3277045	Spring, Compression	1	
10	3629409	Connection, Fuel Block	1	
11	3629410	Retainer, Spring	1	
12	3629411	Seat, Prs Regulator Valve	1	



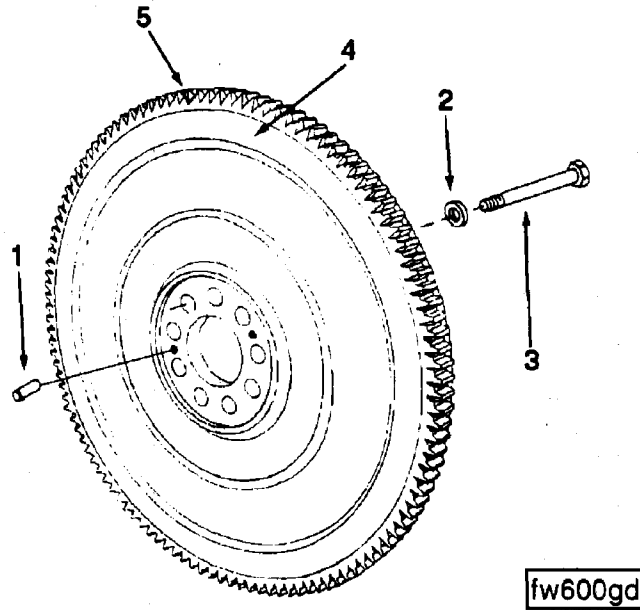
ft604ga

Ref No.	Part Number	Part Name	Req	Remarks
		<b>FUEL TUBING</b> <b>OPTION FT60072</b>		Fuel tubing for KT/KTA/KTTA38 and KTA/KTTA 50 engines. With standard fuel block with integral check valves. Less AFC less air compressor with gear pump cooling line. For Cummins EFC governor less electric passive fuel shut off valve. With rapid restart fuel shut off valves (straight thread o-ring) with 36 micron fuel filter.
1	AS 4014 40SS	Hose, Flexible	1	
2	S-1047-A	Elbow, Male Adapter	1	
3	3175716	Elbow, Male Adapter	1	
4	3628604	Plug, Pipe	1	
5	3629437	Connector, Tube	1	
6	(3630792) 3630840	Tube, Fuel Supply Connector, Tube	1 1	
7	3037236	Seal, O Ring	1	
8	(3630841)	Connector, Tube	1	

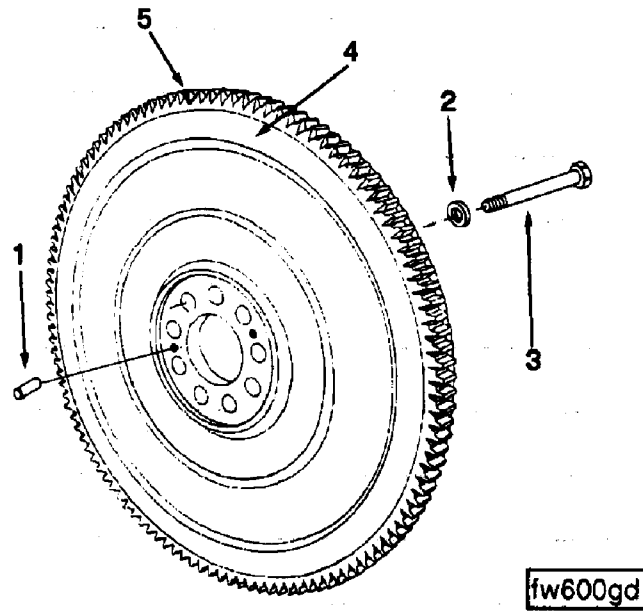


fv600go

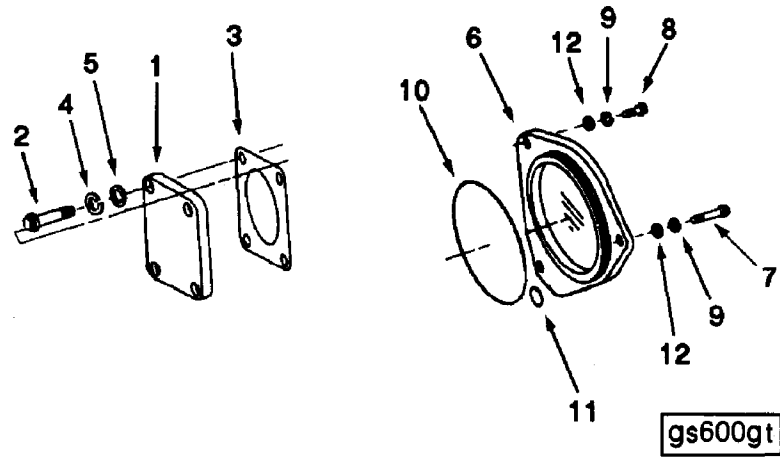
Ref No.	Part Number	Part Name	Req	Remarks
		<b>FUEL VALVE OPTION FV8103</b>		Fuel shutoff valve rapid restart automotive fuel filter screen. 24 Volt DC heavy duty 1 terminal internal ground. 2 port 1/2 inch straight thread o ring manual over-ride.
	3096078	Filter, Fuel	1	
1	70700	Spring, Compression	1	
2	3014575	Cap, Fuel Pump Filter	1	
3	3021123	Seal, O Ring	1	
4	3090769	Screen, Filter	1	
5	3090770	Housing, Filter	1	
6	S-189-C	Screw, Socket Head	4	1/4 -20 x 1 3/4 inch
7	67684	Washer, Plain	3	1/4 inch
8	154087	Seal, Rectangular Ring	2	
9	181466	Washer, Lock	4	1/4 inch
	3067424	Plug, Threaded	1	1/2 - 20 UNF
10	3037236	Seal, O Ring	1	
11	3067347	Plug, Threaded	1	
	3096856	Valve, Fuel Shutoff	1	
12	129768	Spring, Valve	1	
13	129839	Shield, Shutoff Valve	1	
14	129888	Seal, Rectangular Ring	2	
15	196057	Disc, Valve	1	
16	3034451	Housing, Actuator	1	
17	3034452	Disc, Actuator	1	
18	3054609	Solenoid	1	
19	3065944	Screw, Captive Washer Cap	4	
	3073890	Body, Fuel Shutoff Valve	1	
20	129838	Knob	1	
21	3013036	Shaft, Shutoff Valve	1	
22	3073891	Body, Shutoff Valve	1	
23	3279794	Seal, O Ring	1	



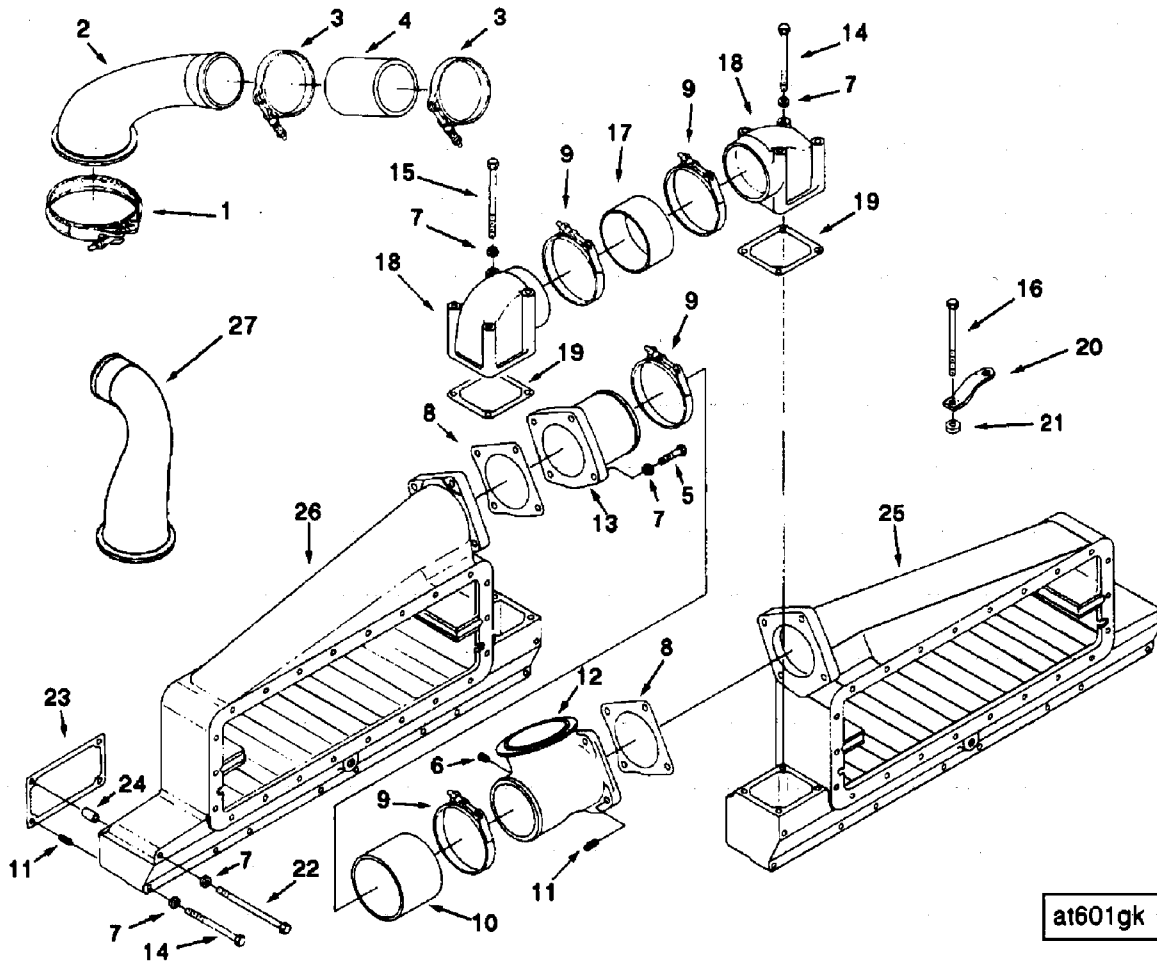
Ref No.	Part Number	Part Name	Req	Remarks
		<b>FLYWHEEL OPTION FW6009</b>		Flywheel for 14in. and 18in. over center clutch use with SAE no. '0' flywheel housing.
1	131584	Pin, Roll	1	
2	205059	Washer, Plain	12	3/4 inch
3	3023536	Screw, Hexagon Head Cap	12	3/4 - 16 X 3 3/4 inch
	3012603	Flywheel	1	
4	(3006189)	Flywheel	1	
5	124507	Gear, Flywheel Ring	1	



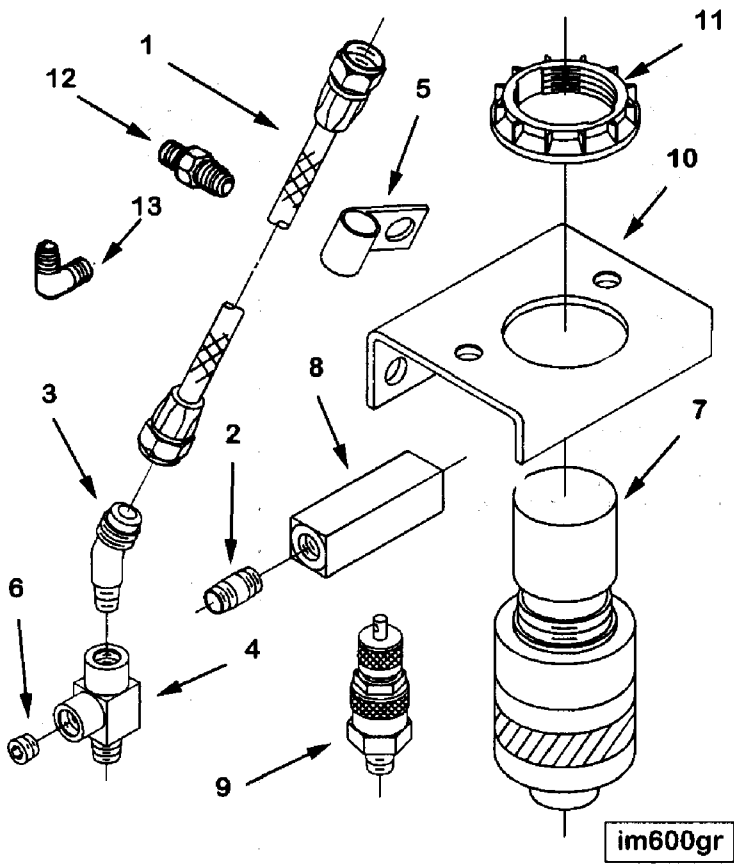
Ref No.	Part Number	Part Name	Req	Remarks
		<b>FLYWHEEL OPTION FW6011</b>		Flywheel SAE no.00 with dual pilot for SAE no. 18 and SAE no. 21 generator flexible drive disc.
1	131584	Pin, Roll	1	
2	205059	Washer, Plain	12	3/4 inch
3	3023536	Screw, Hexagon Head Cap	12	3/4 - 16 X 3 3/4 inch
	3021393	Flywheel	1	
4	(3001566)	Flywheel	1	
5	5587	Gear, Flywheel Ring	1	



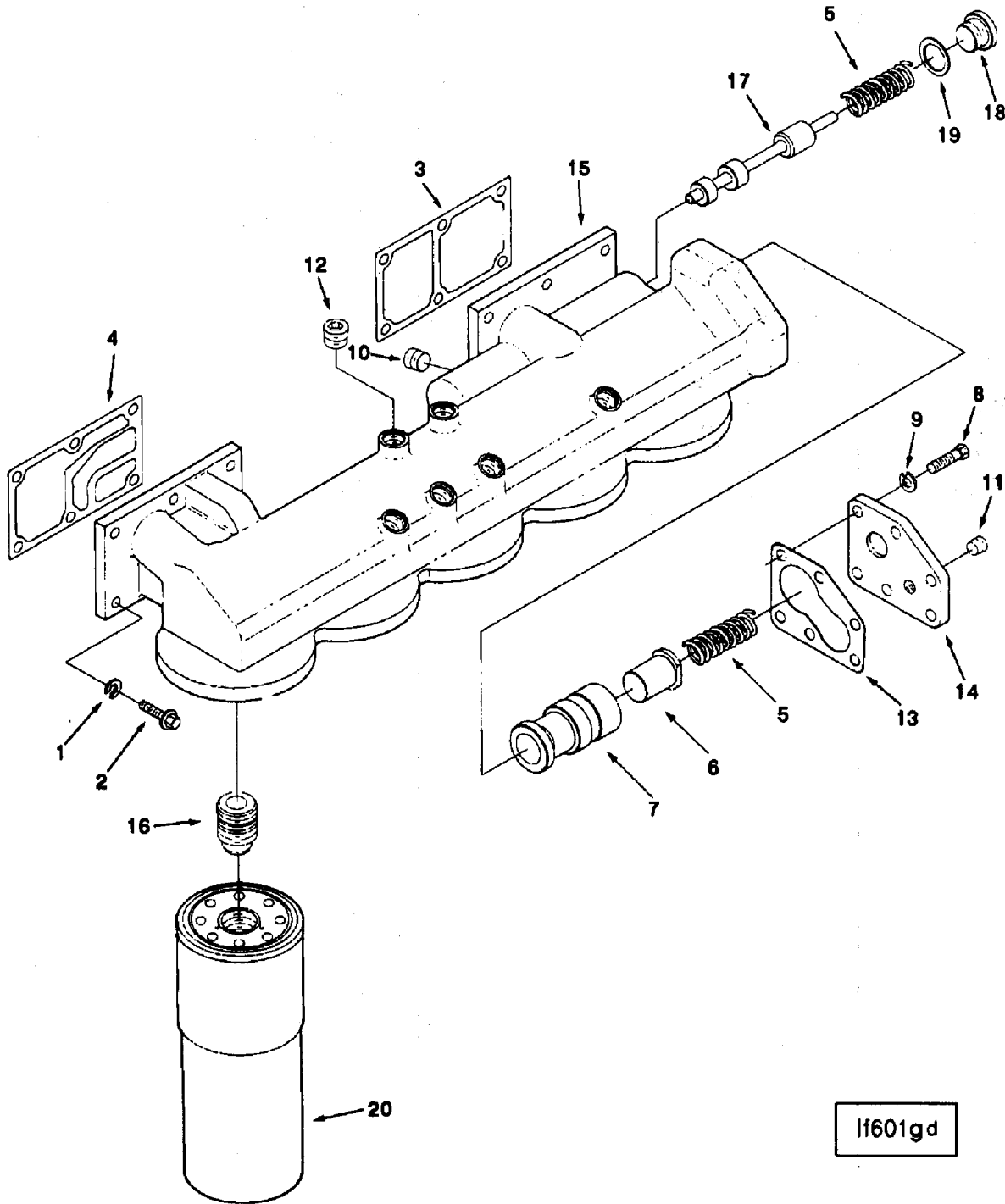
Ref No.	Part Number	Part Name	Req	Remarks
		<b>ACCESSORY DRIVE COVERS OPTION HD6011</b>		
				Required when fuel transfer pump drive or hydraulic pump drive is not specified. May be used when future upfit of fuel transfer pump is anticipated.
1	206158	Cover, Hyd Pump Flange	1	
2	S-145	Screw, Hexagon Head Cap	4	1/2 - 13 X 1 1/4 inch
3	206407	Gasket, Hand Hole	1	
4	111445	Lockwasher	4	
5	127571	Washer, Plain	4	
6	206406	Flange	1	
7	S-162-A	Screw, Hexagon Head Cap	2	7/16 - 14 x 2 3/4 inch
8	103023	Screw, Hexagon Head Cap	1	7/16 - 14 x 1 inch
9	135783	Washer, Lock	3	
10	145600	Seal, O Ring	1	
11	3818885	Seal, O Ring	1	
12	3175027	Washer, Plain	3	



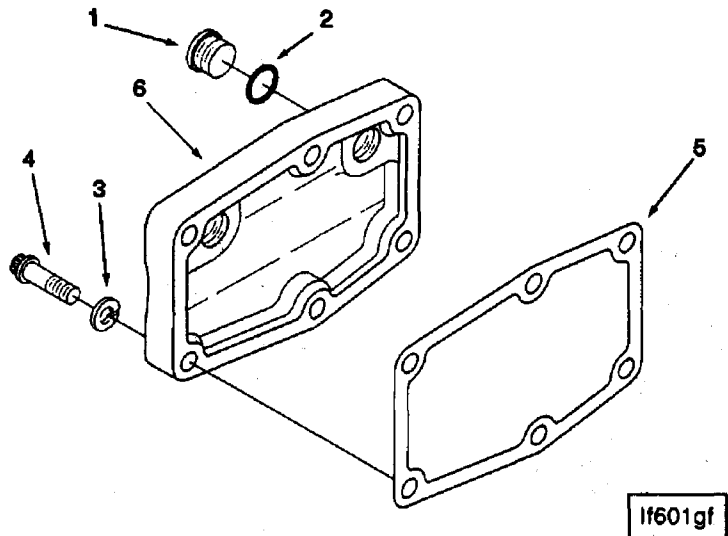
Ref No.	Part Number	Part Name	Req	Remarks
		<b>INTAKE MANIFOLD OPTION IM6021</b>		Air intake manifolds for use with KTA50-G3/G4 single stage uprate engines with K-2000 technology.
1	186917	Clamp, V Band	2	
2	3058809	Connection, Air Crossover	1	
3	3063809	Clamp, T Bolt	4	3 3/4 inch
4	3630125	Hose, Plain	2	
5	S-120	Capscrew	16	3/8 - 16 X 1 3/4 inch
6	3628605	Pipe, Plug	2	
7	3036460	Washer, Spring	96	
8	3047665	Gasket	4	
9	3063810	Clamp, T Bolt	8	4 3/4 inch
10	3628593	Hose	2	
11	67184-B	Insert, Threaded	4	
12	3629545	Connection	2	
13	3628591	Connection	2	
14	S-106-C	Capscrew	40	3/8 - 16 X 4 3/4 inch
15	S-166-B	Capscrew	8	3/8 - 16 X 5 3/4 inch
16	S-170-A	Capscrew	2	3/8 - 16 X 6 inch
17	3049565	Hose, Plain	2	
18	3058814	Connection Air Intake	4	
19	3179028	Gasket	4	
20	3626479	Bracket, Connection	2	
21	62279	Spacer, Mounting	8	
22	69028	Capscrew	32	3/8-16x6.25 inch
23	206277	Gasket	16	
24	3014304	Seal, Rectangular Ring	32	
25	3627393	Manifold, Air Intake Rb Front & Lb Rear	2	
26	3627392	Manifold, Air Intake Lb Front And Rb Rear	2	
27	3179585	Connection, Air Crossover	1	



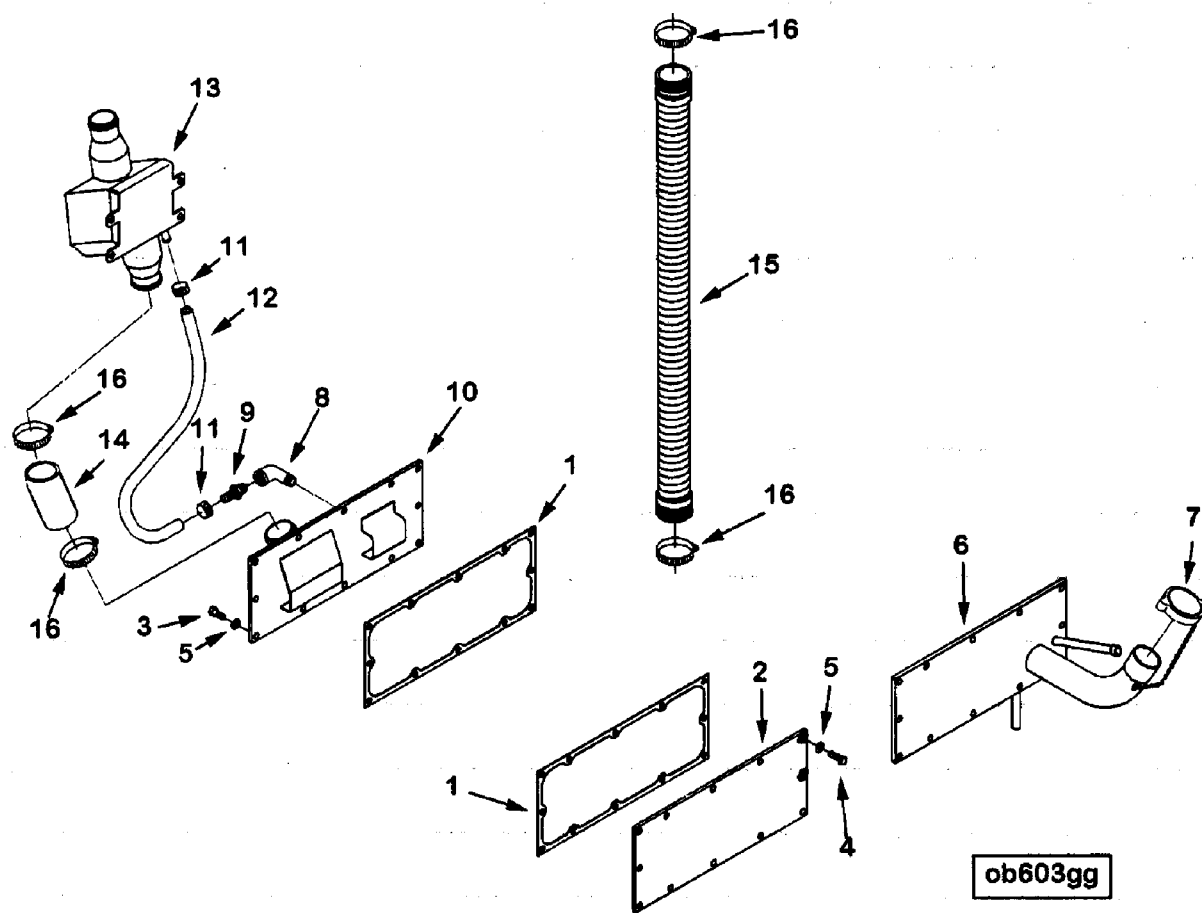
Ref No.	Part Number	Part Name	Req	Remarks
		<b>INTAKE MANIFOLD OPTION IM6705</b>		Includes air pressure regulator, check valve, pressure relief valve and associated plumbing hardware to provide an active cooling pressurisation system. The regulator, check valve and relief valve are bracket mounted to the right bank pan rail mounted corrosion resistor head. The air supply is provided from the right bank front LTA type air intake manifold. A connection point is provided for a customer supplied hose.  For use on K50 engines with LTA type intake manifolds only.
1	AK6012SS	Hose, Flexible	1	
2	S-946	Nipple, Plain	1	
3	121229	Elbow, Male Adapter	3	
4	3175687	Tee, Street Pipe	2	
5	3627412	Clip	3	
6	3628605	Plug, Pipe	1	
7	3629659	Valve, Pressure	1	
8	3629660	Valve, Check	1	
9	3629661	Valve, Pressure	1	
10	3629905	Bracket, Valve	1	
11	3629906	Ring, Clamping	1	
12	S-1039-A	Connector, Male	1	
13	S-1040-A	Elbow, Male Adapter	1	



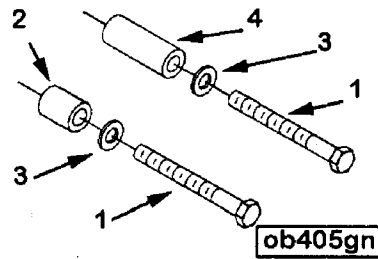
Ref No.	Part Number	Part Name	Req	Remarks
		<b>LUBRICATING OIL FILTER OPTION LF6026</b>		Five element lube oil filter with replaceable spin-on cartridges mounted on left bank (port) side of engine.
1	3628902	Washer, Lock	12	
2	191772	Screw, Twelve Point Cap	12	3/8 - 16 X 1 1/4 inch
3	3629387	Gasket, Filter Head	1	
4	3177108	Gasket, Filter Head	1	
5	205659	Spring, Compression	2	
6	3021618	Plunger, Prs Regulator	1	
7	3028552	Body, Bypass Valve	1	
8	S-103-D	Screw, Hexagon Head Cap	6	3/8 - 16 x 1 1/4 inch
9	S-604	Washer, Lock	6	
10	S-910-B	Plug, Pipe	1	
11	3628604	Plug, Pipe	1	
12	3628605	Plug, Pipe	8	
13	3629141	Gasket, Lub Oil Fil Cover	1	
14	3177433	Plate, Cover	1	
15	3629541	Head, Lub Oil Filter	1	
16	3627309	Adapter, Filter Head	5	
17	3627927	Plunger, Prs Regulator	1	
	3040818	Plug, Threaded	1	1 3/16 - 12 UN
18	3040819	Plug, Threaded	1	
19	3035228	Seal, O Ring	1	
20	3310169	Element, Lub Oil Filter	5	



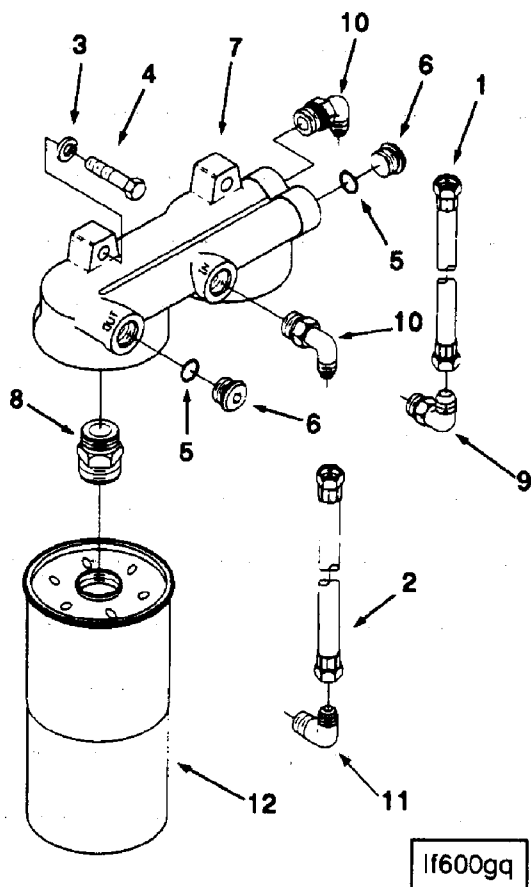
Ref No.	Part Number	Part Name	Req	Remarks
		<b>OIL TRANSFER CONNECTION OPTION LF6705</b>		
1	3046202	Plug, Threaded	4	Oil transfer connection for use when factory mounted lube oil by-pass filter is not specified.
	3040810	Plug, Threaded	1	
2	3046201	Seal, O Ring	1	
3	S-604	Washer, Lock	12	
4	191772	Screw, Twelve Point Cap	12	
5	3627938	Gasket, Cover Plate	2	
6	3629146	Connection, Oil Transfer	2	



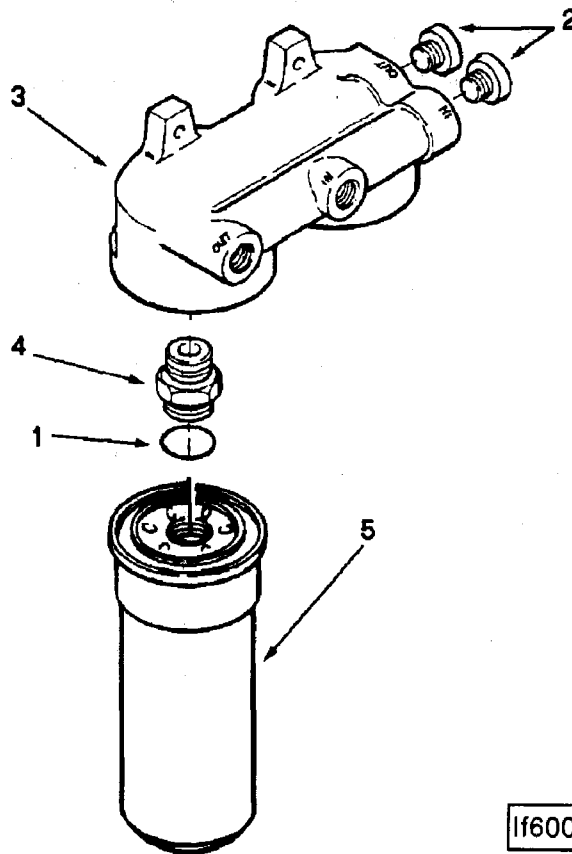
Ref No.	Part Number	Part Name	Req	Remarks
		<b>FILL &amp; BREATHER OPTION OB6164</b>		K50 Single bank breather arrangement. Contains: oil fill, dipstick location, crankcase breather and hand hole covers. Oil fill and dipstick location cover mounted on the left bank side of the engine in the third opening from the rear. Breather cover mounted on the right bank side of the engine in the third opening from the rear. Crankcase breather mounted on the right bank side of the engine in line with number 3 cylinder. For use with left or right bank mounted lub oil filters.
1	3175856	Gasket, Hand Hole	8	
2	3628229	Cover, Hand Hole	5	
3	S-109	Screw, Hexagon Head Cap	10	3/8 - 16 x .875 inch
4	S-112	Screw, Hexagon Head Cap	70	3/8 - 16 x 1 inch
5	3628902	Washer, Plain	68	3/8 inch
6	3178785	Cover, Hand Hole	1	
7	3629112	Cap, Filler	1	
8	3178838	Elbow, Plain Stree Pipe	1	
9	3630986	Coupling, Plain Hose	1	
10	3631579	Cover, Hand Hole	1	
11	210753	Clamp, Hose	2	
12	3632078	Hose, Plain	1	
13	3631539	Breather, Crankcase	1	
14	3631578	Hose, Plain	1	
15	3631572	Hose, Molded	1	
16	43828-C	Clamp	4	



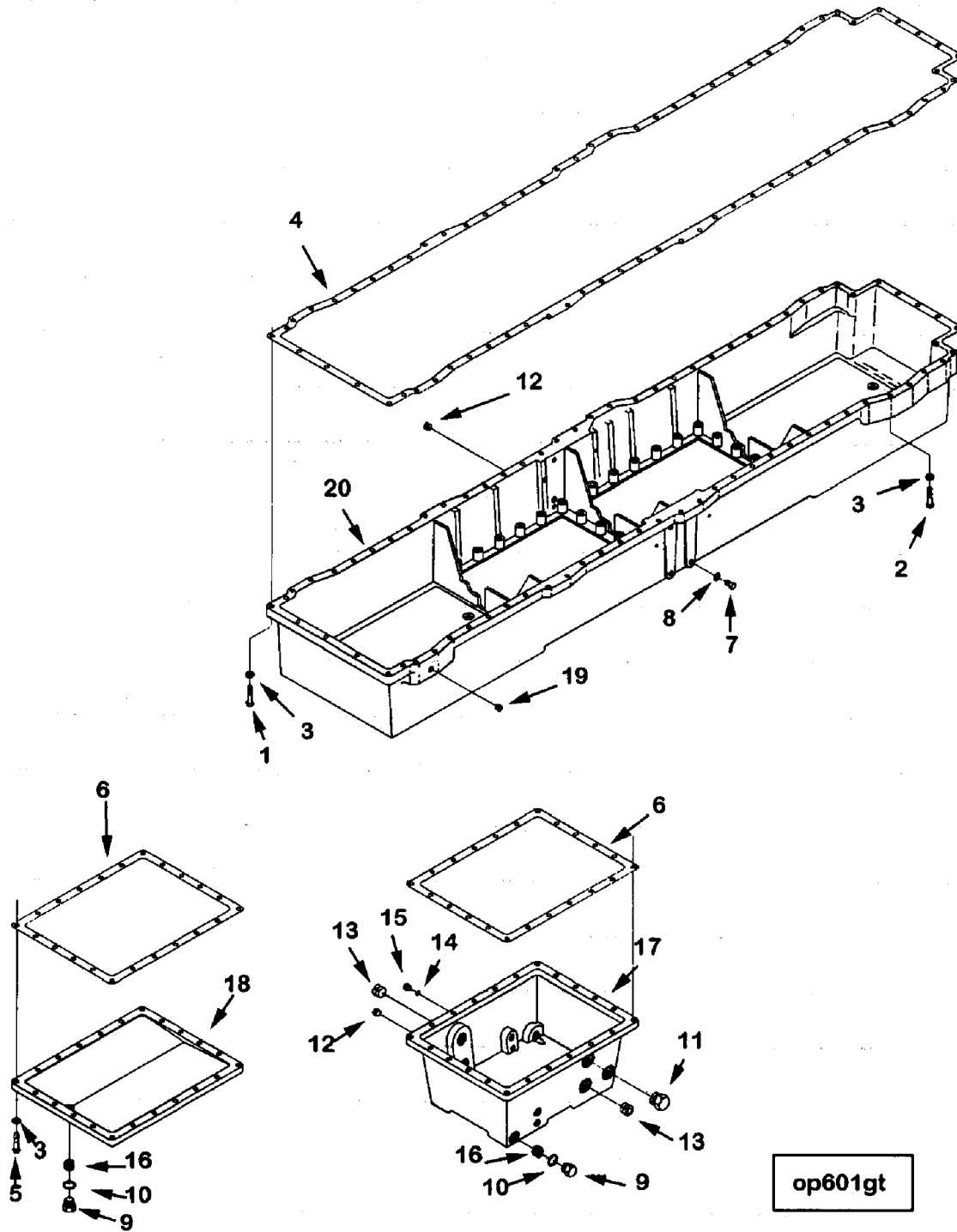
Ref No.	Part Number	Part Name	Req	Remarks
<b>BREATHER MOUNTING</b>				
<b>OPTION OB6722</b>				
1	S-105	Screw, Hexagon Head Cap	4	Breather box mounting parts, for use when Cense engine monitoring system is not required.
2	64709	Spacer, Mounting	2	
3	3628902	Washer, Plain	4	
4	3629762	Spacer, Mounting	2	



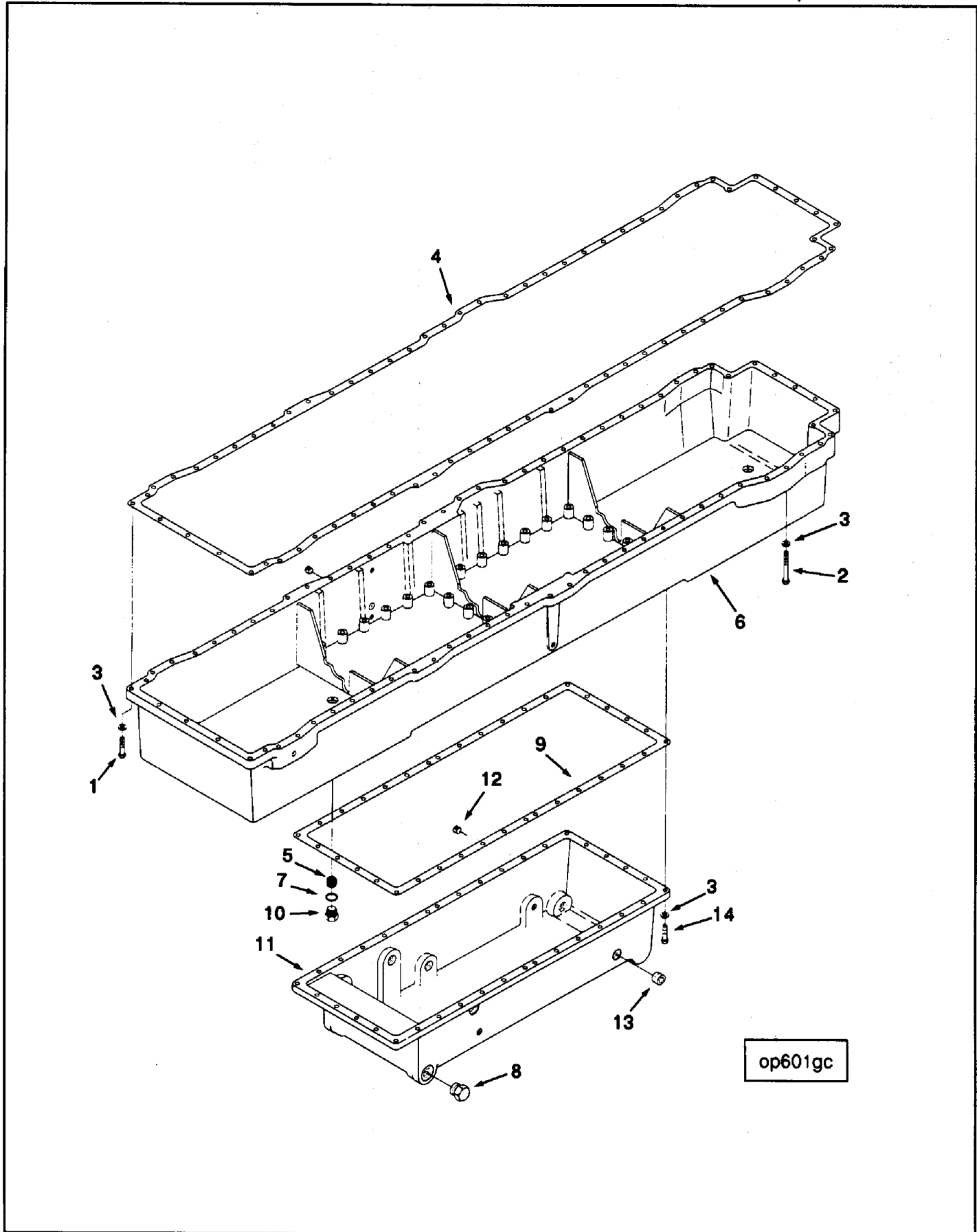
Ref No.	Part Number	Part Name	Req	Remarks
		<b>BYPASS OIL FILTER OPTION OF6009</b>		Bypass oil filter. Dual element bypass oil filter with replaceable spin-on cartridges for remote mounting. Supplied in the kit. For European customers only.  7/16 - 14 x 2 inch
1	AS0601500SS	Hose, Flexible	1	
2	AS0601800SS	Hose, Flexible	1	
3	S-610	Washer, Lock	2	
4	106069	Screw, Hexagon Head Cap	2	
5	43696-A	Seal, O Ring	2	
6	139473	Plug, O Ring	2	
	3033405	Head, Lub Oil Filter	1	
7	3010636	Head, Fuel Filter	1	
8	3037219	Insert, Filter Head	2	
9	3063673	Elbow, Male Union	1	
10	3177198	Elbow, Male Union	2	
11	3629496	Elbow, Male Union	1	
12	3889311	Element, Lub Oil Filter	2	



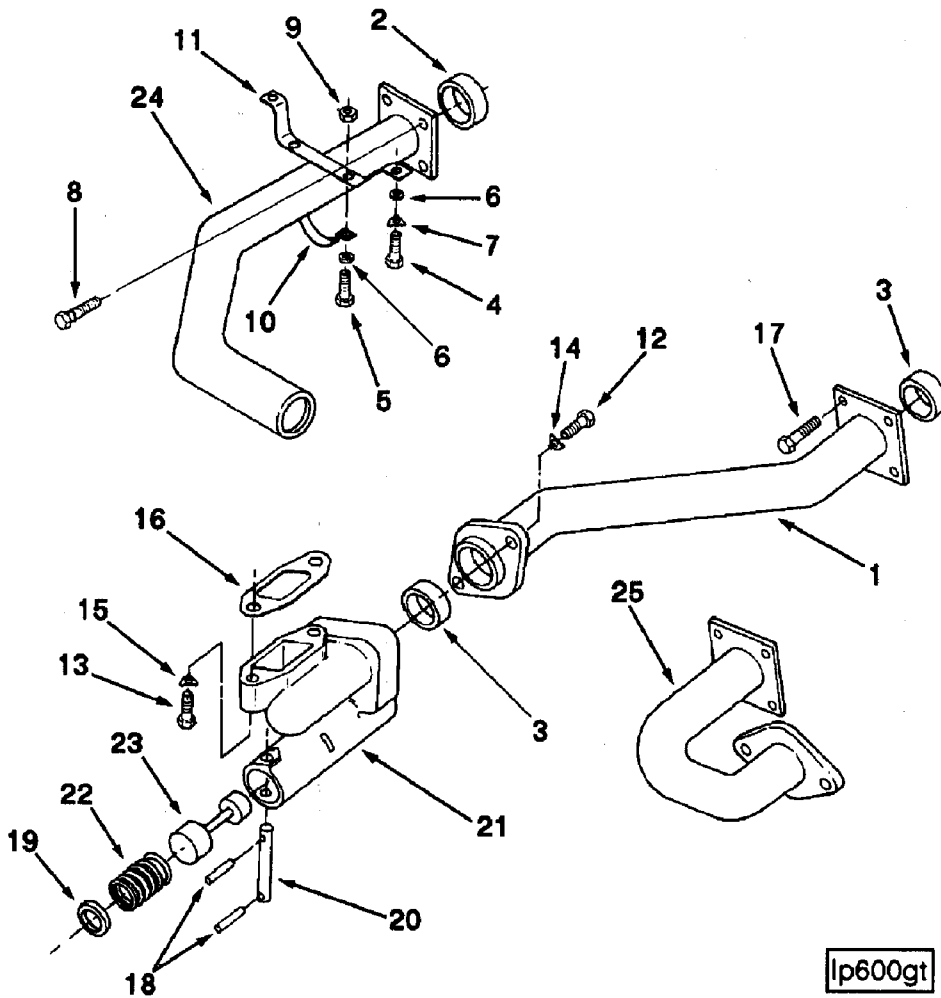
Ref No.	Part Number	Part Name	Req	Remarks
		<b>BYPASS OIL FILTER OPTION OF8005</b>		Dual element by-pass lube oil filter with replaceable spin-on cartridges for remote mounting. Supplied in the kit.
1	43696-A	Seal, O Ring	2	
2	139473	Plug, O Ring	2	7/8 - 14 UNF
3	3033405 (3010636)	Head, Lub Oil Filter Head, Fuel Filter	1 1	
4	3037219	Insert, Filter Head	2	
5	3313283	Element, Lub Oil Filter	2	



Ref No.	Part Number	Part Name	Req	Remarks
		<b>OIL PAN OPTION OP6024</b>		Rear center sump oil pan. Oil pan adapter with: * both end openings cast closed * one removable front center cover * removable rear center sump angularity: (unknown) Oil pan capacity: * High level: 40 U.S. gallon * Low level: 32 U.S. gallon
1	106069	Screw, Hexagon Head Cap	90	7/16 - 14 X 2 inch
2	108767	Screw, Hexagon Head Cap	28	7/16 - 14 X 3 1/2 inch
3	3000082	Washer, Plain	118	
4	3043213	Gasket, Oil Pan	1	
5	S-140	Screw, Hexagon Head Cap	44	
6	3043211	Gasket, Oil Pan	2	
7	S-181C	Screw, Hexagon Head Cap	4	
8	3000204	Washer, Lock	4	
9	3055069	Plug, Threaded	5	1 - 18 UNS
10	67946	Washer, Plain	3	
11	3032629	Plug, Threaded	2	1 5/16 - 12 UNF
12	3628606	Plug, Pipe	3	1/2 NPT
13	3628608	Plug, Pipe	4	1 inch NPT
14	3037537	Seal, O Ring	2	
15	3040813	Plug, Threaded	2	
	3087563	Pan, Oil	1	
16	200845	Insert, Threaded	5	
17	3629988	Pan, Oil	1	
18	206099	Cover, Oil Pan	1	
19	3628609	Plug, Pipe	1	
20	3028595	Adapter, Oil Pan	1	

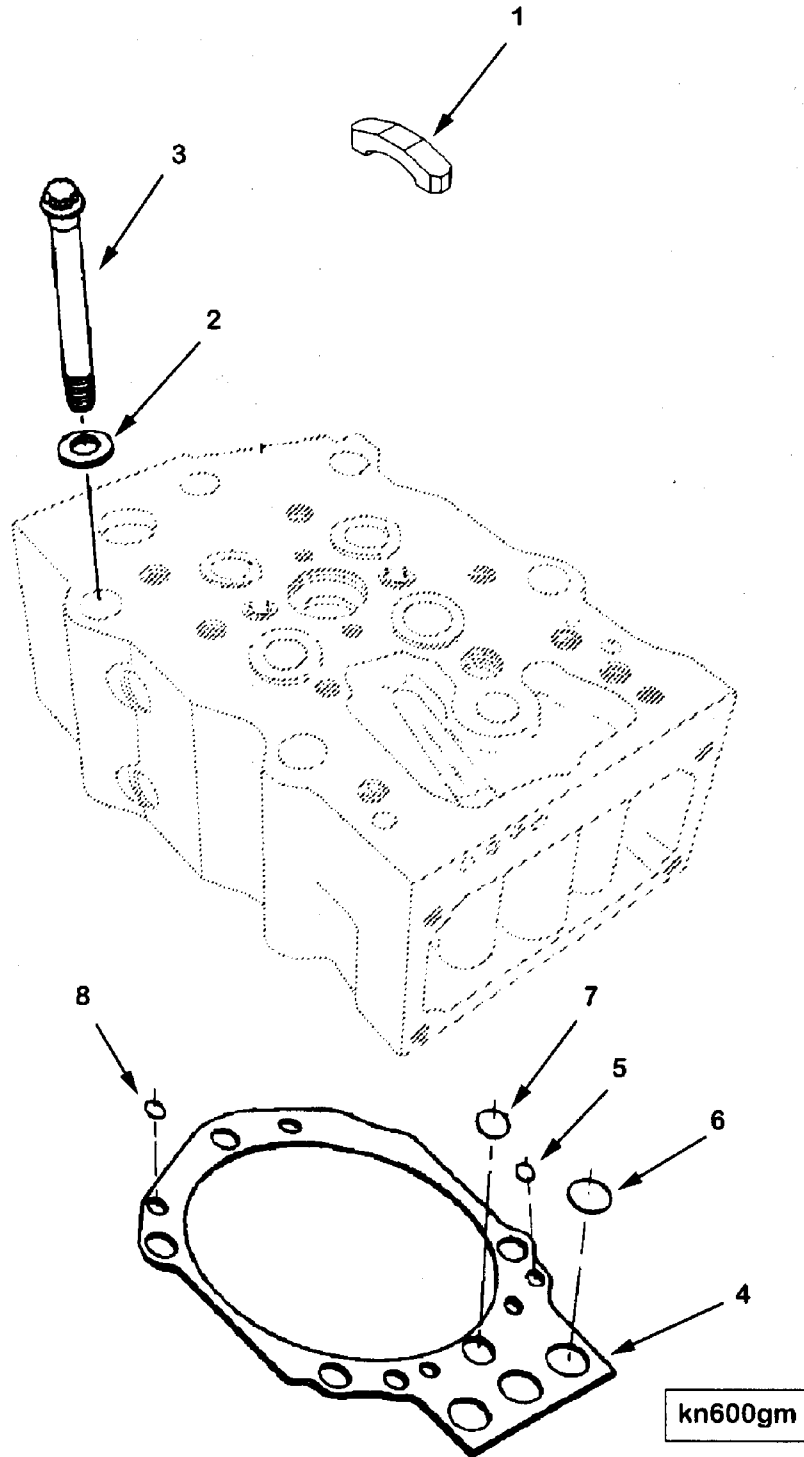


Ref No.	Part Number	Part Name	Req	Remarks
		<b>OIL PAN OPTION OP6027</b>		High capacity center sump oil pan. Oil pan adapter with both end openings cast closed and removable center sump. Angularity: (Unknown) oil pan capacity: * High level: 47 US gallon * low level: 39 US gallon.
1	106069	Screw, Hexagon Head Cap	46	7/16 - 14 x 2 inch
2	108767	Screw, Hexagon Head Cap	28	7/16 - 14 x 3.50 inch
3	3000082	Washer, Plain	110	
4	3043213	Gasket, Oil Pan	1	
	3028701	Pan, Oil	1	
5	200845	Insert, Threaded	2	
6	3028595	Adapter, Oil Pan	1	
7	67946	Washer, Plain	2	1 1/32 inch
8	3032629	Plug, Threaded	2	1 5/16 - 12 UNF
9	3043214	Gasket, Oil Pan	1	
10	3055069	Plug, Threaded	4	1 - 18 uns
11	3629001	Pan, Oil	1	
12	3628606	Plug, Pipe	3	
13	3628608	Plug, Pipe	3	
14	S-140	Screw, Hexagon Head Cap	36	7/16 - 14 X 1 3/4 inch

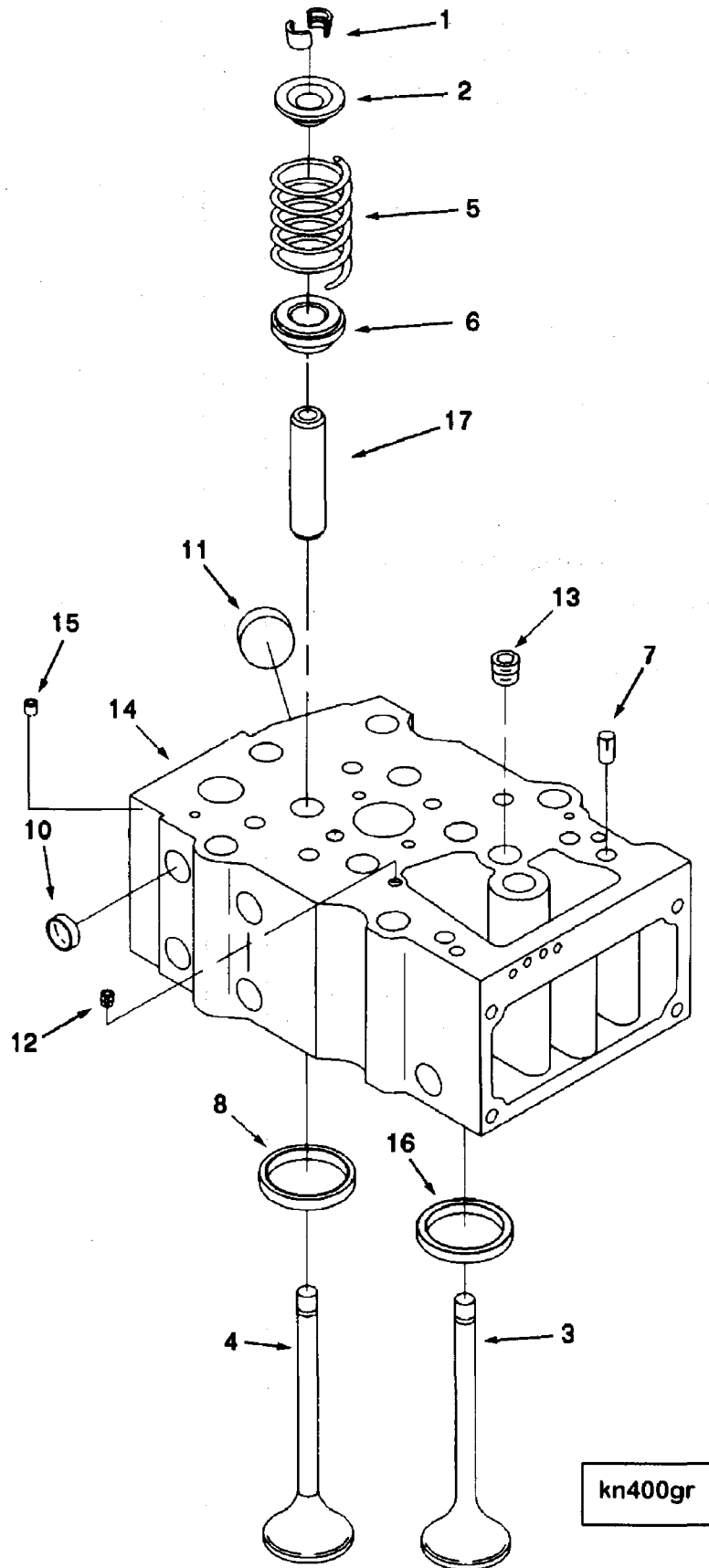


lp600gt

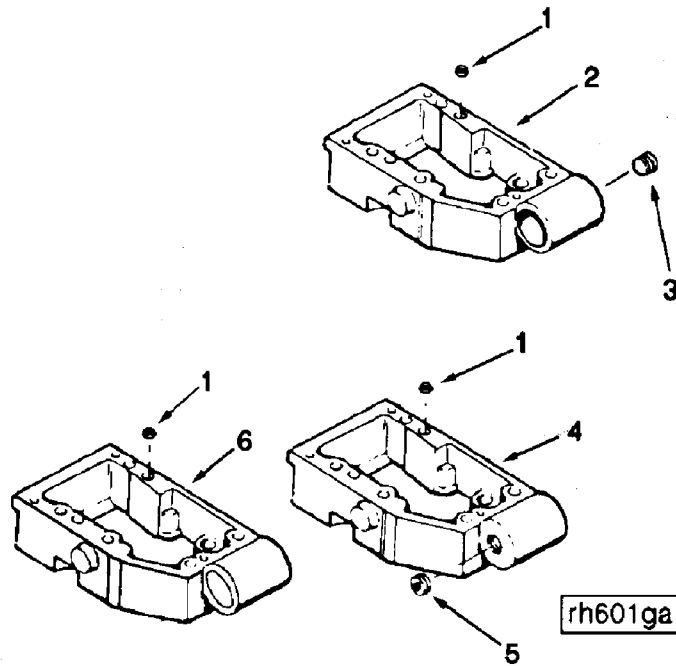
Ref No.	Part Number	Part Name	Req	Remarks
		<b>LUB OIL PUMP TUBING OPTION OP6710</b>		Lube oil pump tubing required for rear center sump oil pan with lube oil filter located on left bank. Includes capscrews in structure for use with three gear lube pump on K50 only. Adequate for ratings up to 1800 RPM only.
1	3025292	Tube, Lub Oil Supply	1	
2	3026391	Seal, Rectangular Ring	1	
3	3026392	Seal, Rectangular Ring	2	
4	S-103-D	Screw, Hexagon Head Cap	2	5/16 - 18 x 2 1/4 inch
5	S-112	Screw, Hexagon Head Cap	2	3/8 - 16 x 1 inch
6	3628902	Washer, Plain	4	3/8 inch
7	S-604	Washer, Lock	2	3/8 inch
8	3026676	Screw, Hex Flange Head Cap	4	7/16 - 14 X 7 1/2 inch
9	3175239	Nut, Lock	2	3/8 - 16
10	3175584	Clamp, Tube	1	
11	3175585	Bracket, Oil Tube	1	
12	S-112	Screw, Hexagon Head Cap	2	3/8 - 16 x 1 inch
13	S-121-B	Screw, Hexagon Head Cap	2	7/16 - 14 X 2 1/2 inch
14	68908	Lockplate	2	
15	151355	Lockplate	2	
16	3000632	Gasket, Connection	1	
17	3026676	Screw, Hex Flange Head Cap	4	7/16 - 14 x 7 1/2 inch
	3031385	Valve, Pressure Relief	1	
18	107695	Pin, Roll	2	
19	127316	Washer, Plain	1	5/8 inch
20	3001719	Pin, Retaining	1	
21	3026925	Connection, Oil Transfer	1	
22	3026926	Spring, Compression	1	
23	3026927	Plunger, Prs Regulator	1	
24	3177089	Tube, Lub Oil Suction	1	



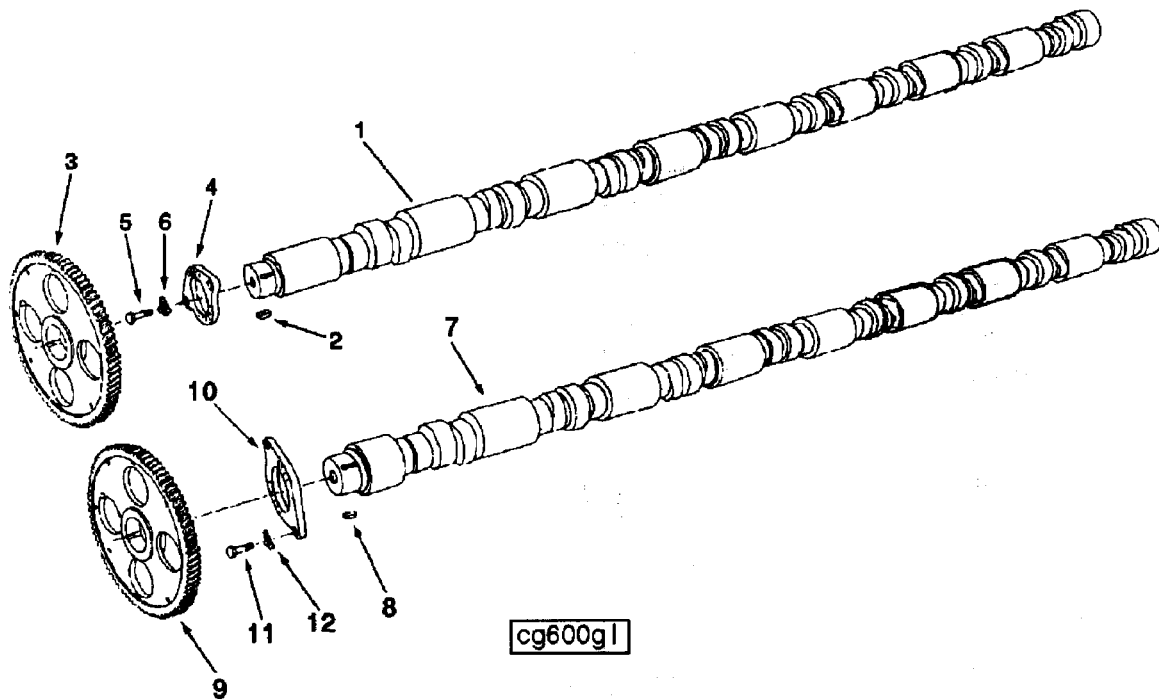
Ref No.	Part Number	Part Name	Req	Remarks
		<b>CYLINDER HEAD MOUNTING OPTION PP2227</b>		Performance parts for single stage KTA50-G3 dual rating. With non- LTA K2000 technology. Less sea water pumps. Includes: Pulse type exhaust manifolds. STC stepped timing control. Reduced drain flow injectors. Premium performance parts consisting of: Dual ni-resist pistons. Valve rotators. Tribaloy valves and valve seats. ORS hoses for STC and turbo supply. Offset pin piston.
1	3086362	Crosshead, Valve	32	
2	3629962	Washer, Plain	96	
3	3032633	Screw, Twelve Point Cap	96	
	3177412	Gasket, Cylinder Head	16	
4	(205479)	Gasket, Cylinder Head	1	
5	205852	Seal, Grommet	1	
6	205855	Seal, Grommet	3	
7	205858	Seal, Grommet	1	
8	207448	Seal, Grommet	4	
		<b>OVERSIZE HEAD GASKET</b>		
	3062493	Gasket, Cylinder Head	1	
	3021465	Seal, Grommet	1	
	3021466	Seal, Grommet	3	
	3021467	Seal, Grommet	1	
	3021468	Seal, Grommet	4	



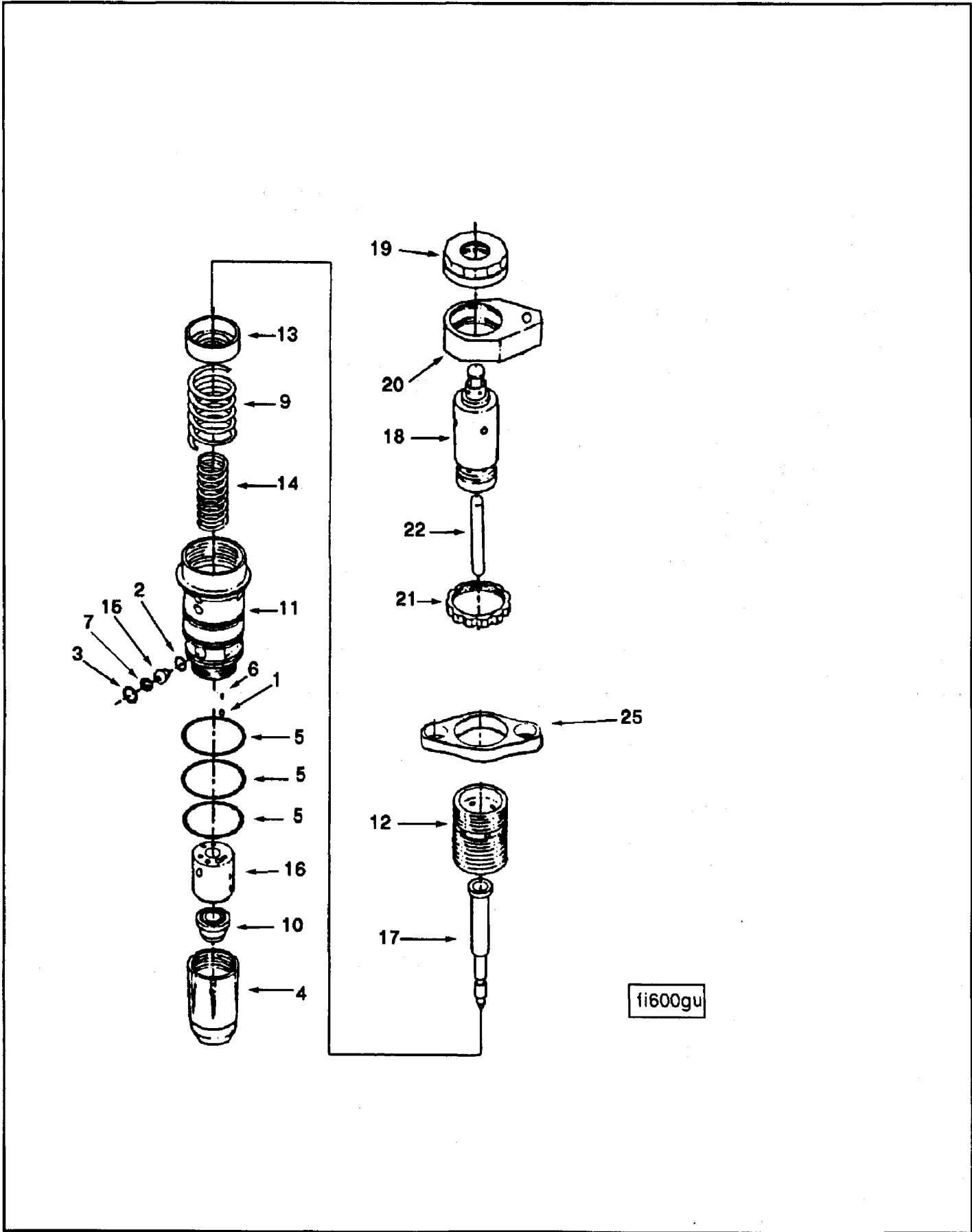
Ref No.	Part Number	Part Name	Req	Remarks
		<b>CYLINDER HEAD OPTION PP2227</b>		
	3811985	Cylinder Head	16	
1	205091	Collet, Valve	8	
2	205094	Retainer, Valve Spring	4	
3	3052820	Valve, Intake	2	
4	3088389	Valve, Exhaust	2	
5	3629007	Spring, Valve	4	
6	3081081	Rotator, Valve	4	
7	68445	Pin, Groove	2	
8	205093	Insert, Valve	2	
10	205401	Plug, Expansion	8	
11	206224	Plug, Expansion	2	
12	67622	Plug, Pipe	1	
13	S-915-A	Plug, Pipe	1	
14	3081064	Head, Cylinder	1	
15	203933	Plug, Expansion	1	
16	3052819	Insert, Valve	2	
17	3202210	Guide, Valve Stem	4	



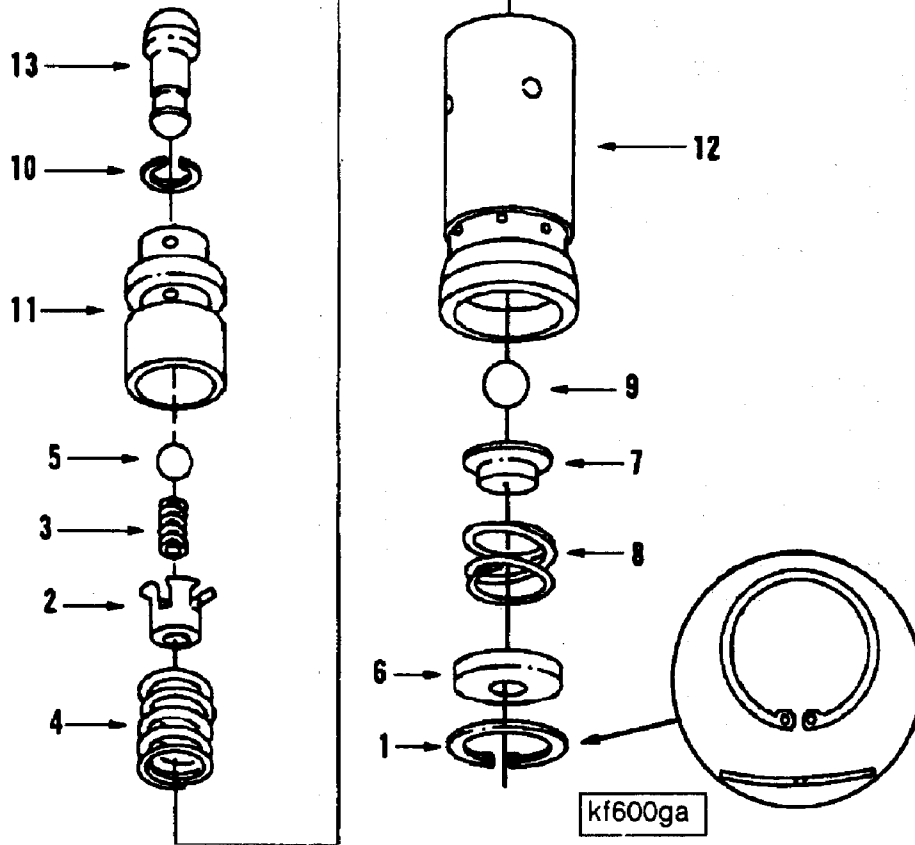
Ref No.	Part Number	Part Name	Req	Remarks
<b>ROCKER HOUSING OPTION PP2227</b>				
1	205129	Dowel, Ring	16	
2	3629538	Housing, Rocker Lever	1	
3	3628607	Plug, Pipe	1	
4	3202199	Housing, Rocker Lever	1	
5	3628607	Plug, Pipe	1	
6	3177713	Housing, Rocker Lever	14	



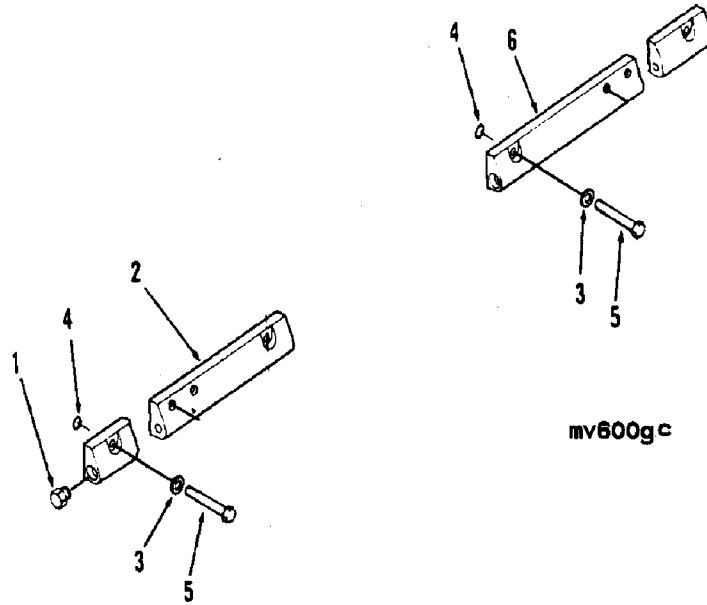
Ref No.	Part Number	Part Name	Req	Remarks
<b>CAMSHAFT &amp; GEAR - RIGHT OPTION PP2227</b>				
1	3074304	Camshaft	1	
2	S-302	Key, Offset Woodruff	1	
3	206747	Gear, Camshaft	1	
4	3007971	Bearing, Camshaft Thrust	1	
5	S-112	Screw, Hexagon Head Cap	2	3/8 - 16 x 1 inch
6	68908	Lockplate	2	
<b>CAMSHAFT &amp; GEAR - LEFT OPTION PP2227</b>				
7	3074305	Camshaft	1	
8	S-302	Key, Offset Woodruff	1	
9	207248	Gear, Camshaft	1	
10	3007971	Bearing, Camshaft Thrust	1	
11	S-112	Screw, Hexagon Head Cap	2	3/8 - 16 x 1 inch
12	68908	Lockplate	2	



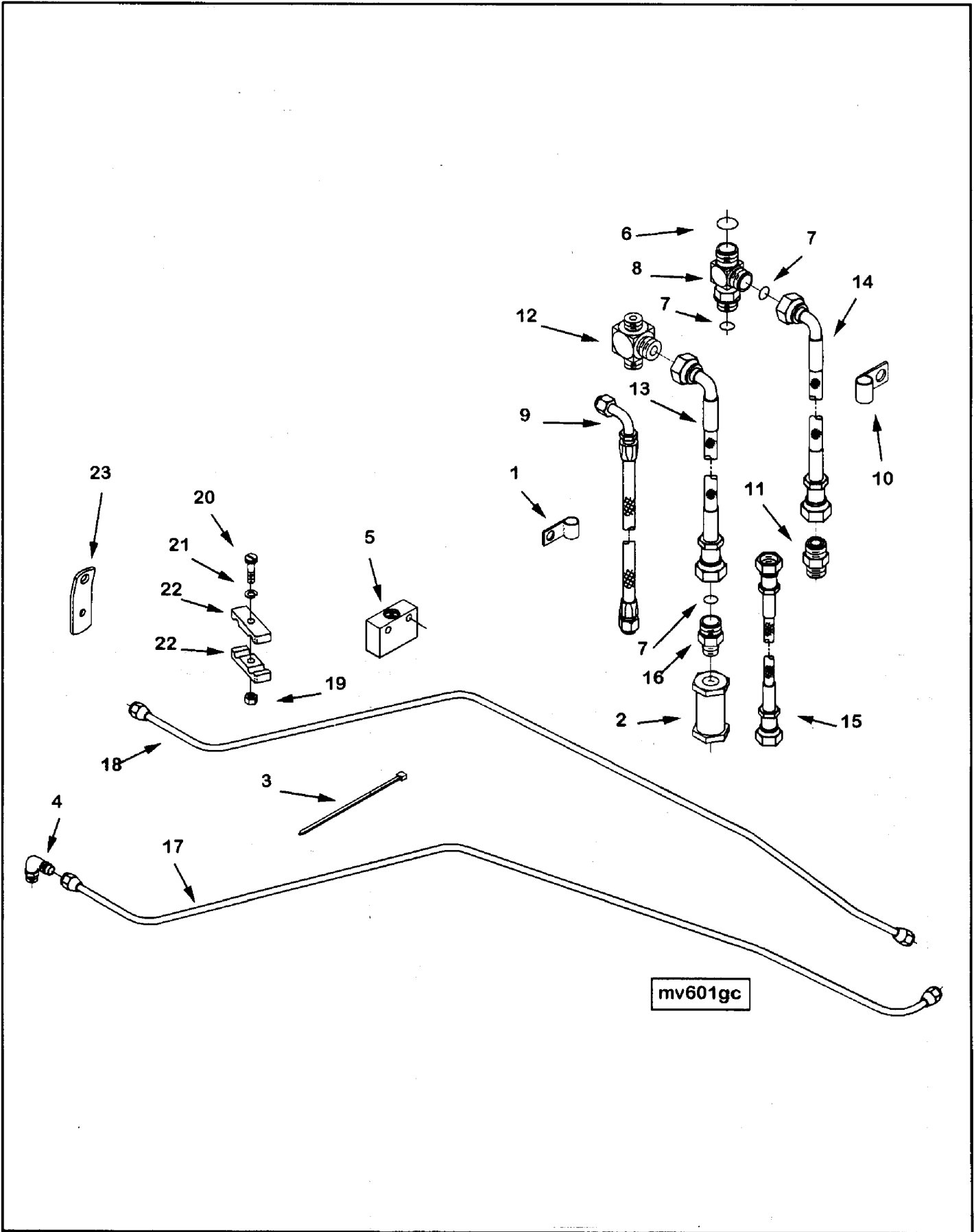
Ref No.	Part Number	Part Name	Req	Remarks
		<b>INJECTOR</b>		
		<b>OPTION PP2227</b>		
	3095773	Injector	16	
1	167157	Ball, Check	1	
2	173086	Gasket, Injector	1	
3	174299	Retainer, Screen	1	
4	3042430	Retainer, Injector Cup	1	
5	193736	Seal, O Ring	3	
6	203426	Pin, Roll	2	
7	3008706	Screen, Filter	1	
9	3042427	Spring, Injector	1	
10	3279720	Cup, Injector	1	
11	3042425	Adapter, Injector	1	
12	3279821	Screw, Injector Stop	1	
13	3052218	Retainer, Injector Spring	1	
14	3042428	Spring, Injector	1	
15	(3045047)	Plug, Injector Orifice	1	
	3076126	Barrel & Plunger	1	
16	3053504	Barrel, Injector	1	
17	3076124	Plunger, Injector	1	
18	3075381	Tappet, Hyd Var Timing	1	
19	3068859	Cap, Tappet Top Stop	1	
20	3279850	Nut, Tappet Top Stop Lock	1	
21	3068860	Nut, Lock	1	
22	3627894	Link, Injector Plunger	1	
25	3003682	Clamp, Injector	1	



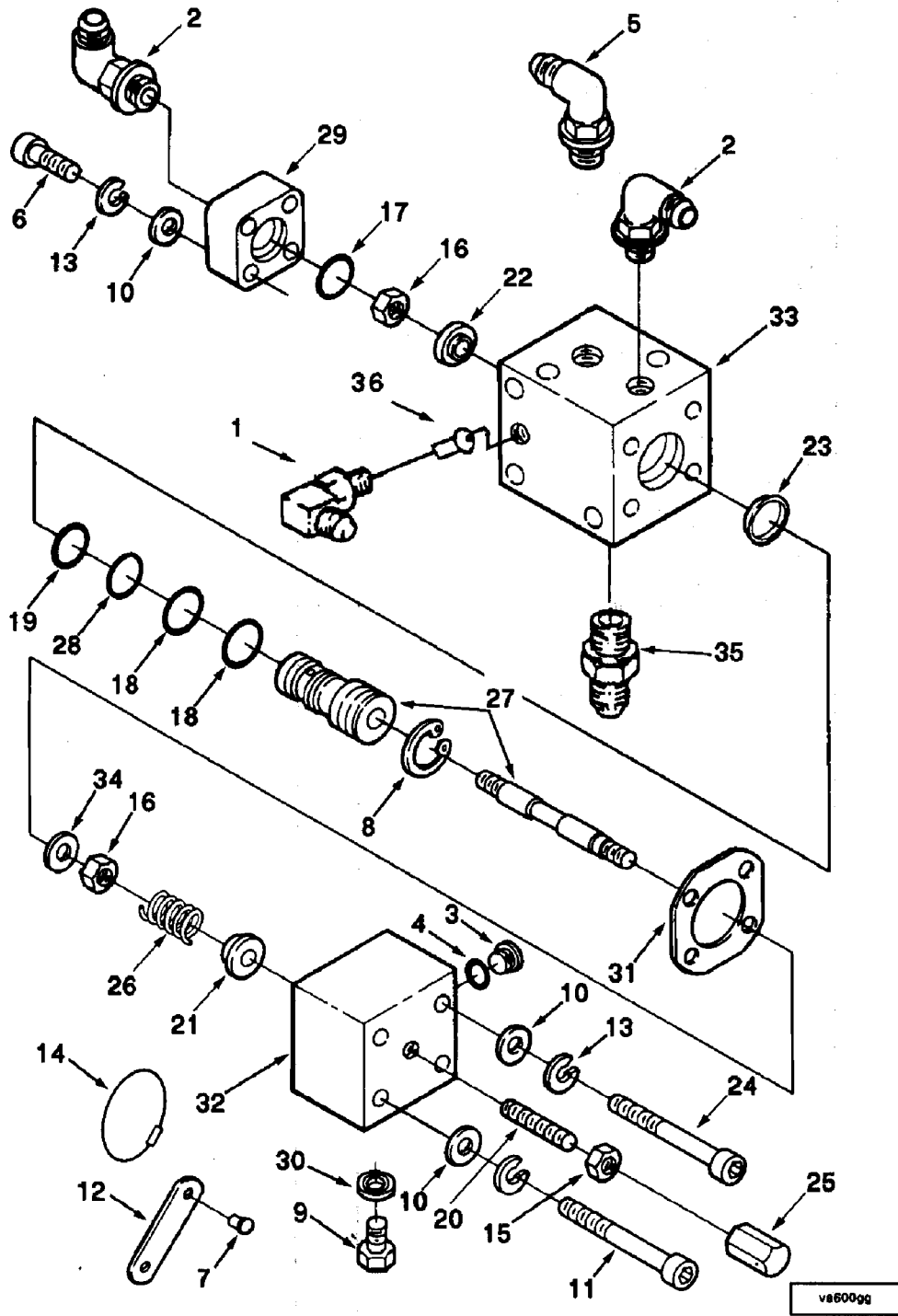
Ref No.	Part Number	Part Name	Req	Remarks
		<b>TAPPET</b>		
		<b>OPTION PP2227</b>		
	3075381	Tappet, Hyd Var Timing	16	
1	3027988	Ring, Retaining	1	
2	3062600	Guide, Ball	1	
3	3027994	Spring, Compression	1	
4	3054852	Spring, Injector	1	
5	(3027996)	Ball, Check	1	
6	(3085345)	Socket, Tappet	1	
7	(3050344)	Guide, Spring	1	
8	3050345	Spring, Compression	1	
9	3062119	Ball, Check	1	
10	(3052231)	Retainer, Injector Link	1	
11	(3053772)	Plunger, Tappet	1	
12	(3062120)	Sleeve, Tappet	1	
13	3052233	Link, Injector Plunger	1	



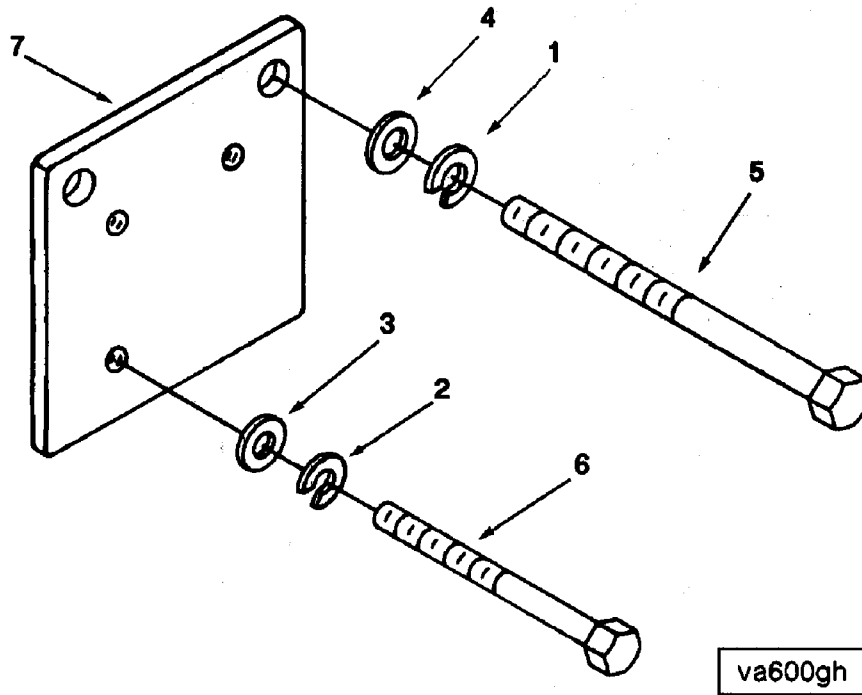
Ref No.	Part Number	Part Name	Req	Remarks
<b>STC OIL MANIFOLD OPTION PP2227</b>				
1	3023217	Plug, Threaded	8	
2	3084623	Manifold, Oil	2	
3	127018	Washer, Plain	16	
4	3001340	Seal, O Ring	16	
5	3001811	Screw, Twelve Point Cap	16	1/4 - 20 x 1 inch
6	3084624	Manifold, Oil	2	



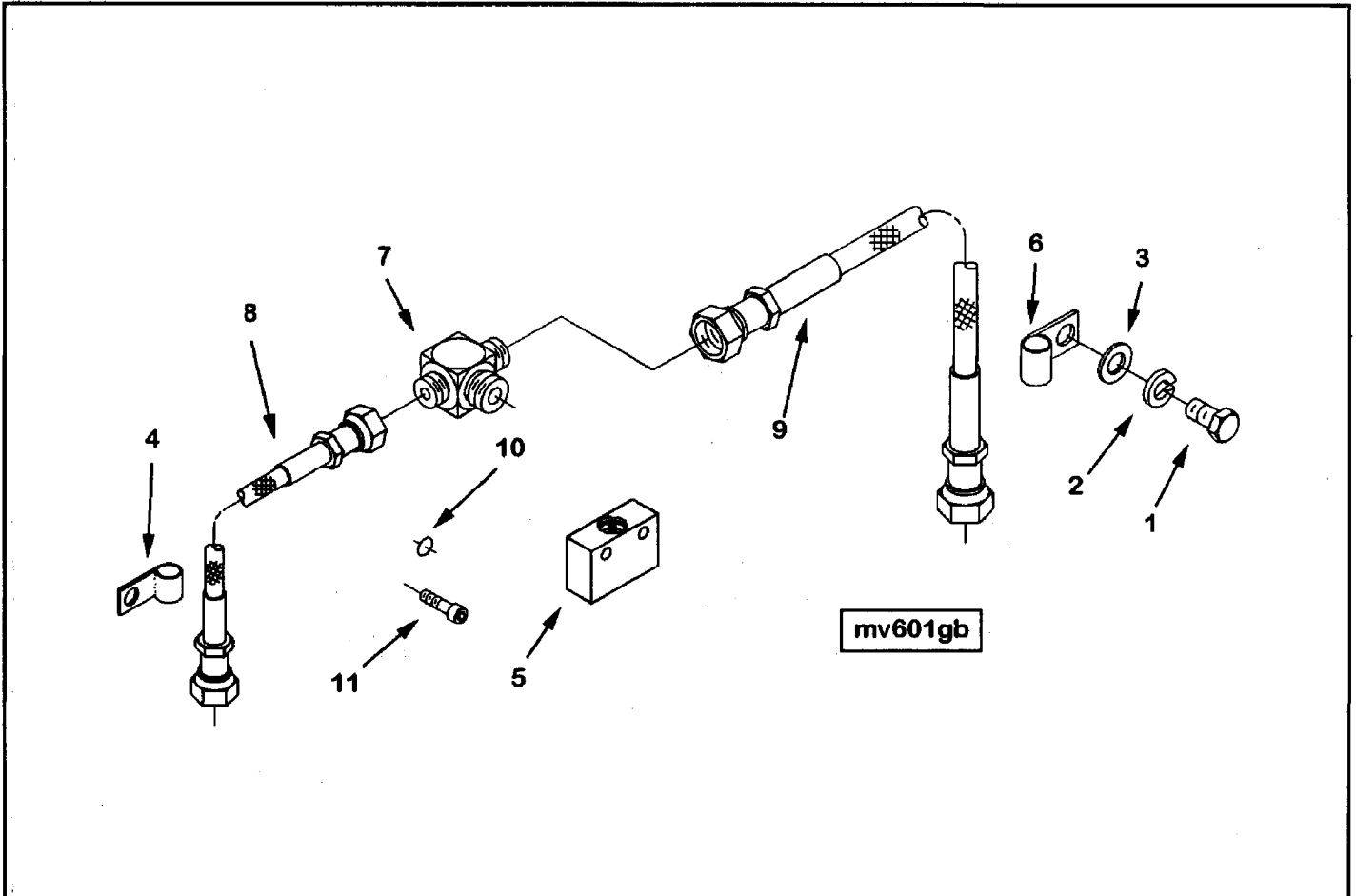
Ref No.	Part Number	Part Name	Req	Remarks
		<b>STC OIL MANIFOLD OPTION PP2227</b>		
1	108722	Clip	2	
2	178079	Valve, Check	1	
3	3018920	Clamp, Wire Tie	2	
4	3037662	Elbow, Male Union	3	
5	3044286	Connection, Oil Supply	2	
	3095651	Tee, Male Union	1	
6	3046201	Seal, O Ring	1	
7	3627695	Seal, O Ring	2	
8	3627702	Tee, Male Union	2	
9	3175318	Hose, Flexible	1	
10	3627412	Clip	6	
11	3627694	Union, Male	1	
12	3627703	Tee, Male Union	1	
13	3627706	Hose, Flexible	1	
14	3627707	Hose, Flexible	1	
15	3627708	Hose, Flexible	2	
	3628522	Union, Male	1	
7	3627695	Seal, O Ring	1	
16	3627698	Union, Male	1	
17	3630050	Tube, Fuel Supply	1	
18	3630051	Tube, Fuel Supply	1	
19	S-251	Nut, Regular Hexagon Jam	2	
20	S-1315	Screw, Pan Head Cap	2	
21	181466	Washer, Lock	2	
22	3007025	Clamp, Tube	4	
23	3630042	Bracket, Ful Blk Cnn	2	



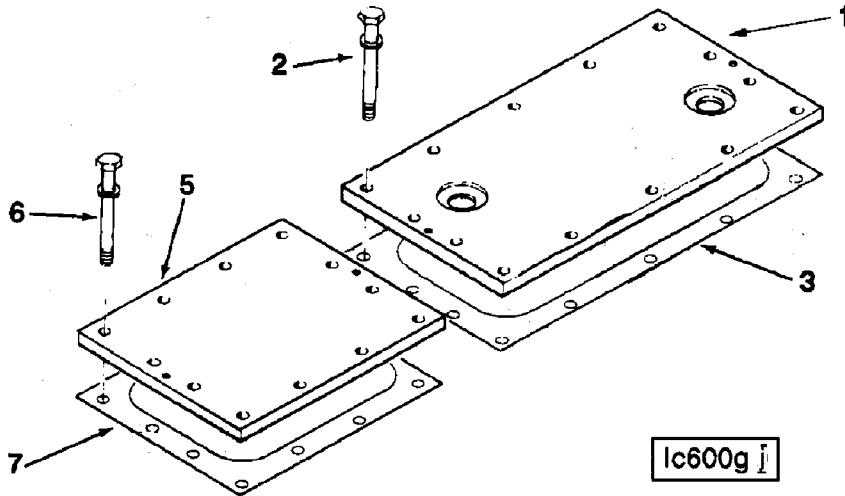
Ref No.	Part Number	Part Name	Req	Remarks
		<b>STC VALVE</b>		
		<b>OPTION PP2227</b>		
1	3038743	Valve, Check	1	
2	3037662	Elbow, Male Union	2	
3	3040814	Plug, Threaded	1	7/16 - 20 UNF
4	3036666	Seal, O Ring	1	
5	3061835	Tee, Male Union	1	
	3060609	Valve, Oil Control	1	
6	3075637	Screw, Socket Head Cap	4	
7	S-2286	Screw, Drive	2	3/16 inch
8	S-16240	Ring, Retaining	1	
9	70446	Screw, Hexagon Head Cap	1	
10	70704	Washer, Plain	8	1/4 inch
11	3073999	Screw, Socket Head Cap	3	1/4 - 20 x 2 1/2 inch
12	105375	Nameplate	1	
13	181466	Washer, Lock	8	1/4 inch
14	3003156	Seal, Wire	1	
15	3021639	Nut, Sealing	1	
16	3029301	Nut, Lock	2	1/4 - 28 UNF
17	3034408	Seal, O Ring	1	
18	3042542	Seal, O Ring	2	
19	3045986	Seal, O Ring	1	
20	109919	Screw, Socket Set	1	1/4 - 28 x 1 1/2 inch
21	3049041	Retainer, Spring	1	
22	3073998	Disc, Valve	1	
23	3054411	Spring, Leaf	1	
24	3075638	Screw, Socket Head Cap	1	1/4 - 20 x 2 1/2 inch
25	3055687	Nut, Control Valve	1	1/4 - 28 UNF
26	3051069	Spring, Compression	1	
27	3060605	Barrel & Plunger	1	
28	3066914	Seal, O Ring	1	
29	3069989	Cover, Oil Control Valve	1	
30	3069998	Washer, Sealing	1	
31	3070108	Gasket, Control Valve Body	1	
32	3070124	Cover, Diaphragm	1	
33	3060606	Body, Oil Control Valve	1	
34	3070186	Washer, Plain	1	1/4 inch
35	3063020	Connector, Male	1	
36	3044993	Plug, Injector Orifice	1	



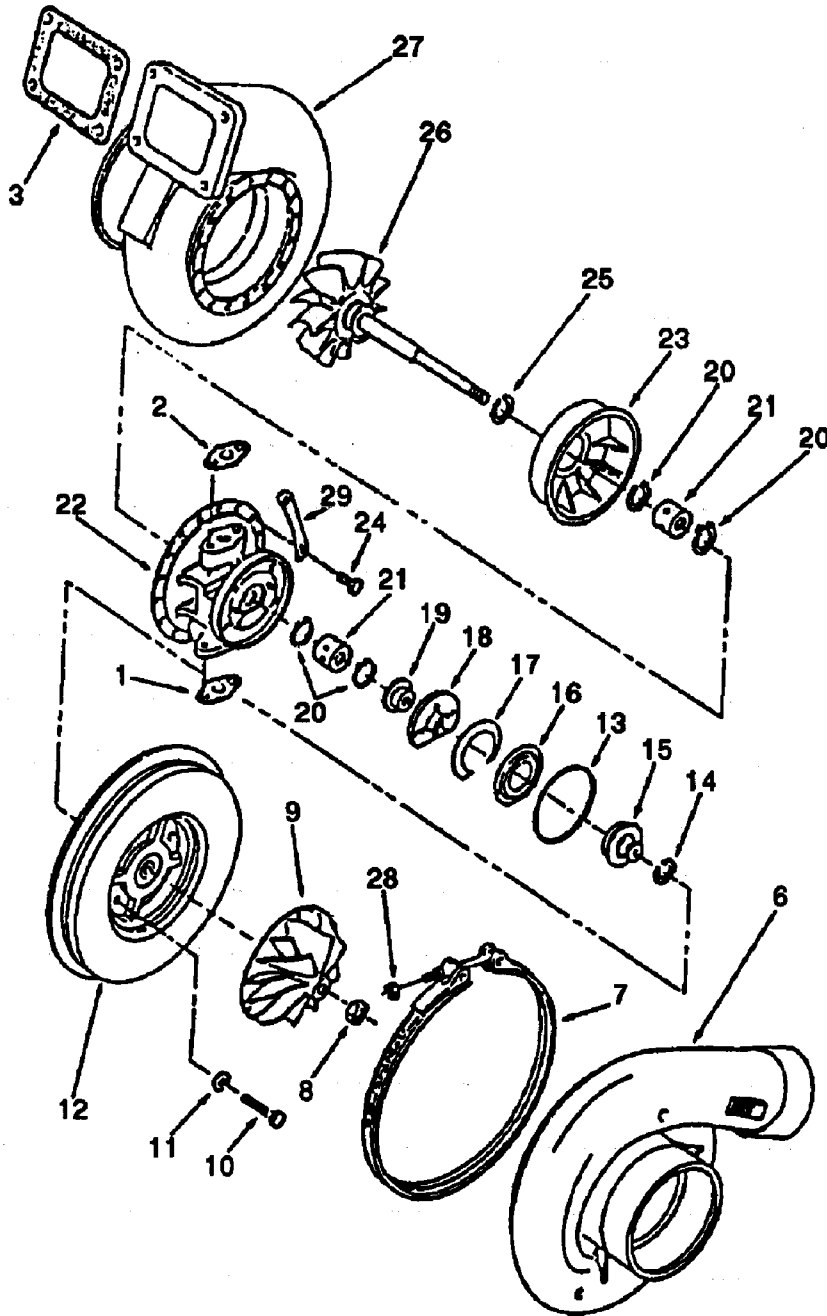
Ref No.	Part Number	Part Name	Req	Remarks
<b>STC VALVE MOUNTING OPTION PP2227</b>				
1	S-604	Washer, Lock	2	3/8 inch
2	S-605	Washer, Lock	3	5/16 inch
3	S-626	Washer, Plain	3	5/16 inch
4	63842	Washer, Plain	2	3/8 inch
5	S-149-A	Screw, Hexagon Head Cap	2	3/8 - 16 x 5 inch
6	137761	Screw, Hexagon Head Cap	3	5/16 - 24 x 2.75 inch
7	3178219	Bracket, Valve	1	



Ref No.	Part Number	Part Name	Req	Remarks
<b>CONNECTION, OIL TRANSFER OPTION PP2227</b>				
1	S-118	Screw, Hexagon Head Cap	5	7/16 - 14 x .75 inch
2	S-610	Washer, Lock	5	
3	S-622	Washer, Plain	5	
4	108722	Clip	2	
5	3044286	Connection, Oil Supply	2	
6	3627412	Clip	14	
7	3627703	Tee, Male Union	1	
8	3627708	Hose, Flexible	2	
9	3627712	Hose, Flexible	1	
10	3001340	Seal, O Ring	2	
11	3178257	Screw, Socket Head Cap	4	

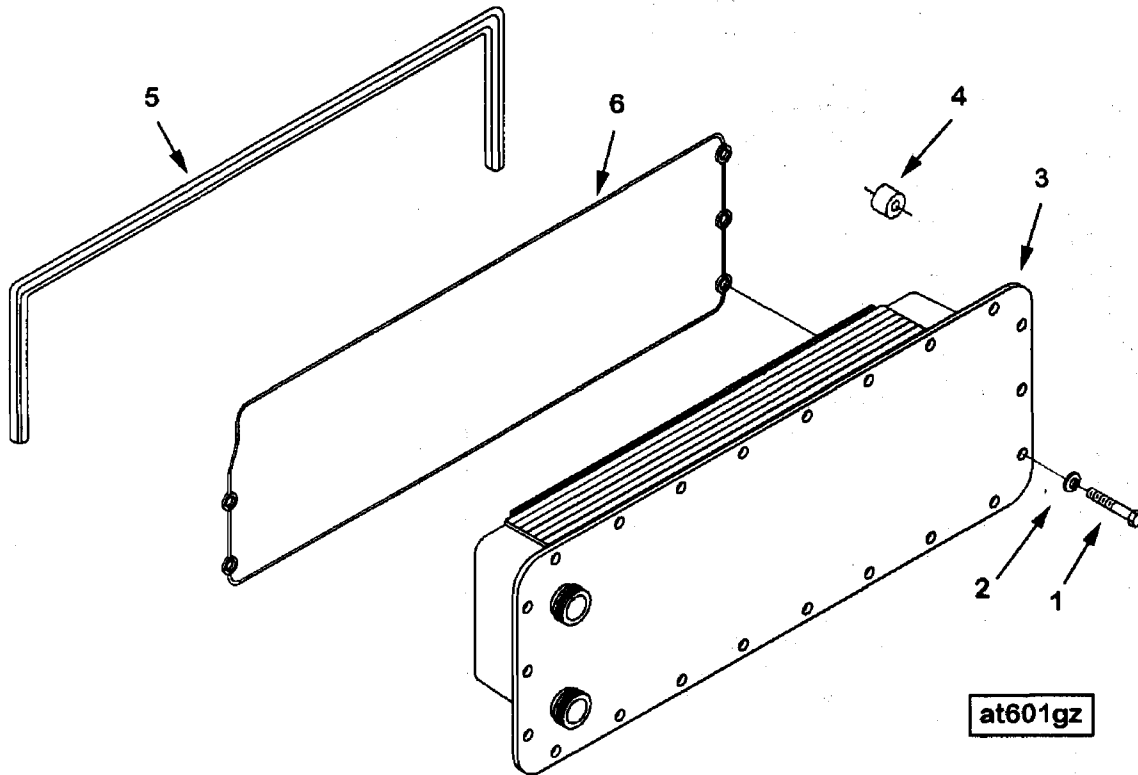


Ref No.	Part Number	Part Name	Req	Remarks
		<b>WATER HEADER OPTION PP2227</b>		
1	3629066	Cover, Water Header	4	
2	3010596	Screw, Captive Washer Cap	56	3/8 - 16 x 1 1/4 inch
3	3009324	Gasket, Water Header Cover	4	
5	3629065	Cover, Water Header	1	
6	3010596	Screw, Captive Washer Cap	12	3/8 - 16 x 1 1/4 inch
7	3009323	Gasket, Water Header Cover	1	

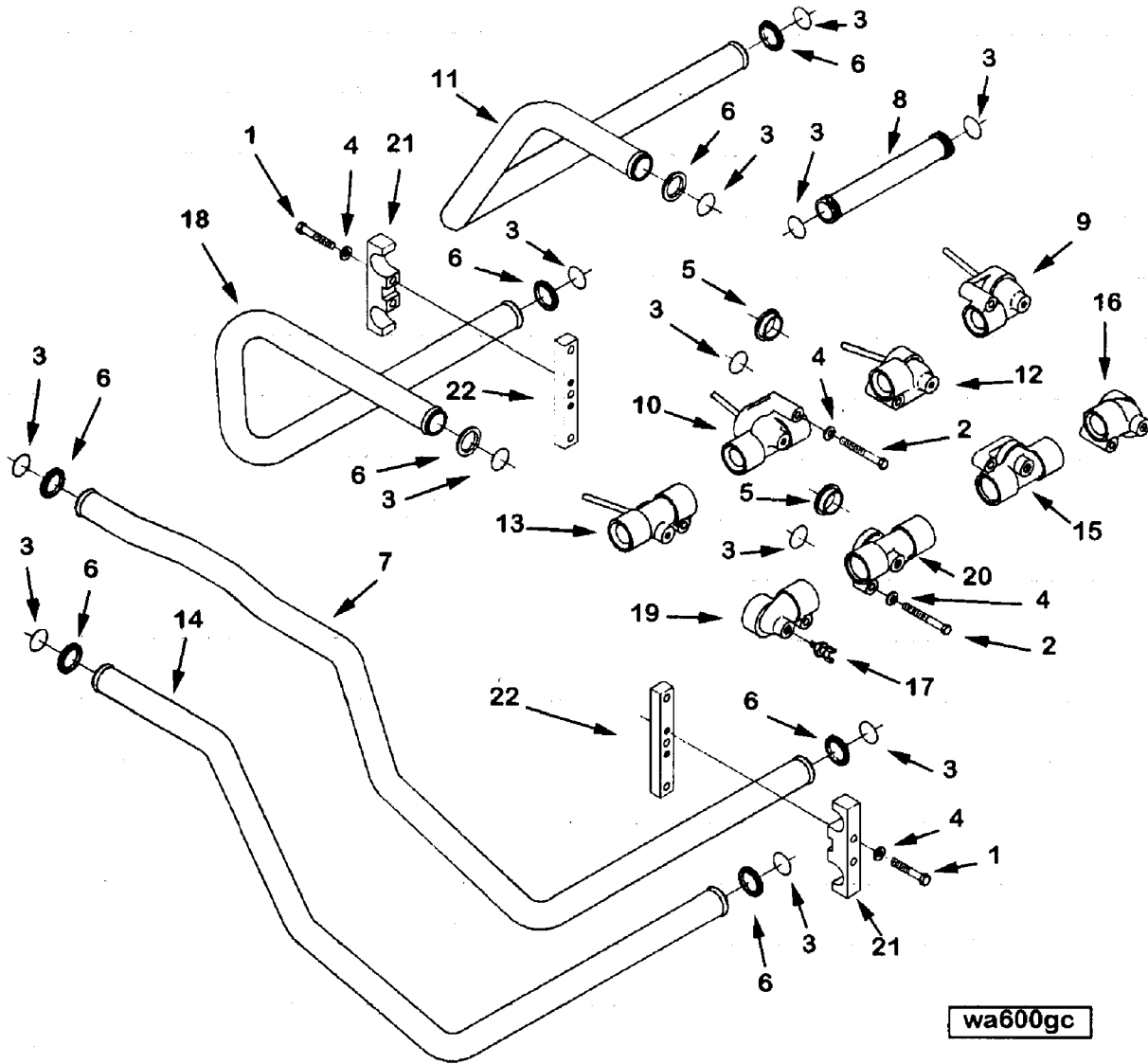


tb601gf

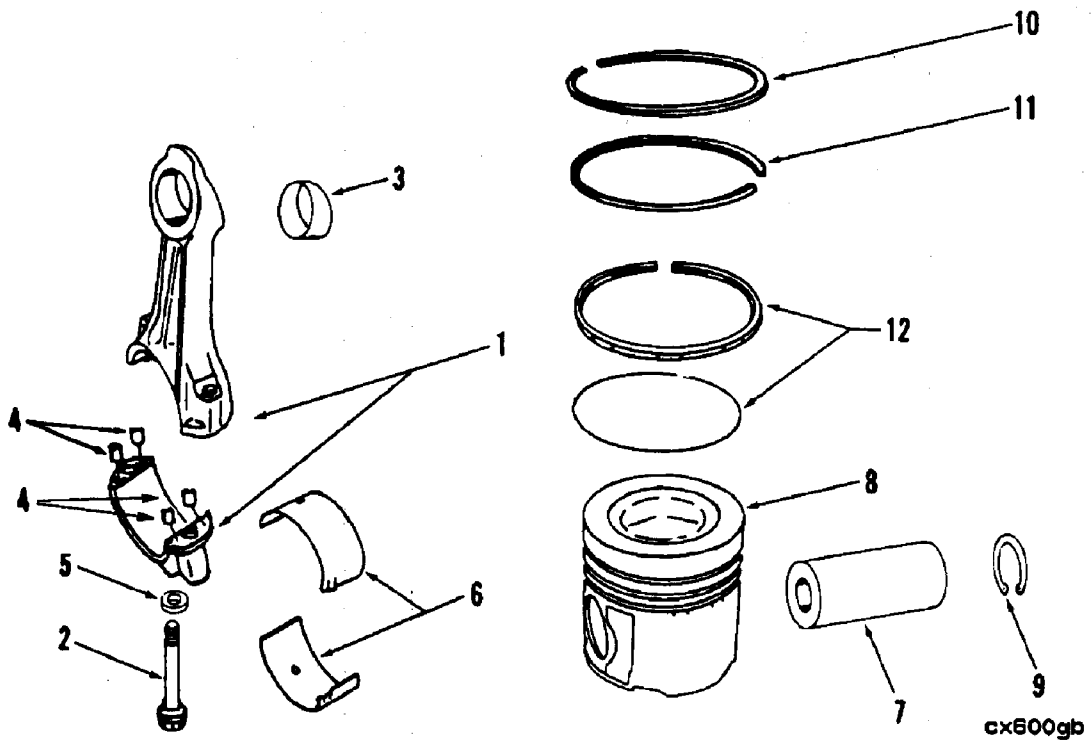
Ref No.	Part Number	Part Name	Req	Remarks
		<b>TURBOCHARGER</b>		
		<b>OPTION PP2227</b>		
	3804863	Turbocharger	2	
1	201048	Gasket, Connection	1	
2	201049	Gasket, Connection	1	
3	3177942	Gasket, Turbocharger	1	
	3539284	Turbocharger	1	
6	3523580	Housing, Compressor	1	
7	3528109	Clamp, V Band	1	
8	3519535	Nut, Lock	1	
9	3533704	Impeller, Tur Compressor	1	
10	3525073	Screw, Hexagon Head Set	4	
11	3504967	Washer, Plain	4	
12	3527104	Diffuser, Turbocharger	1	
13	3502449	Seal, Rectangular Ring	1	
14	3521442	Seal, Split Ring	1	
15	3523980	Slinger, Oil	1	
16	3524419	Baffle, Oil	1	
17	3524418	Shim	1	
18	3526985	Bearing, Tur Thrust	1	
19	3519623	Collar, Thrust	1	
20	3519641	Ring, Retaining	4	
21	3519627	Bearing, Turbocharger	2	
22	3523429	Housing, Tur Bearing	1	
23	3519783	Shield, Turbocharger Heat	1	
24	3521225	Screw, Hexagon Head Set	8	
25	3523412	Seal, Split Ring	1	
26	3521032	Shaft & Wheel	1	
27	3534169	Housing, Turbine	1	
28	3529372	Nut, Regular Hexagon	1	
29	3522904	Lockplate	4	



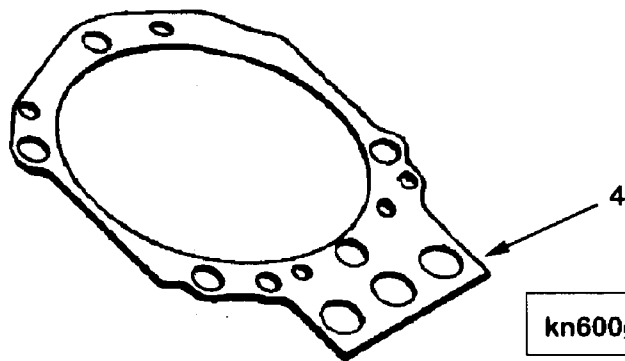
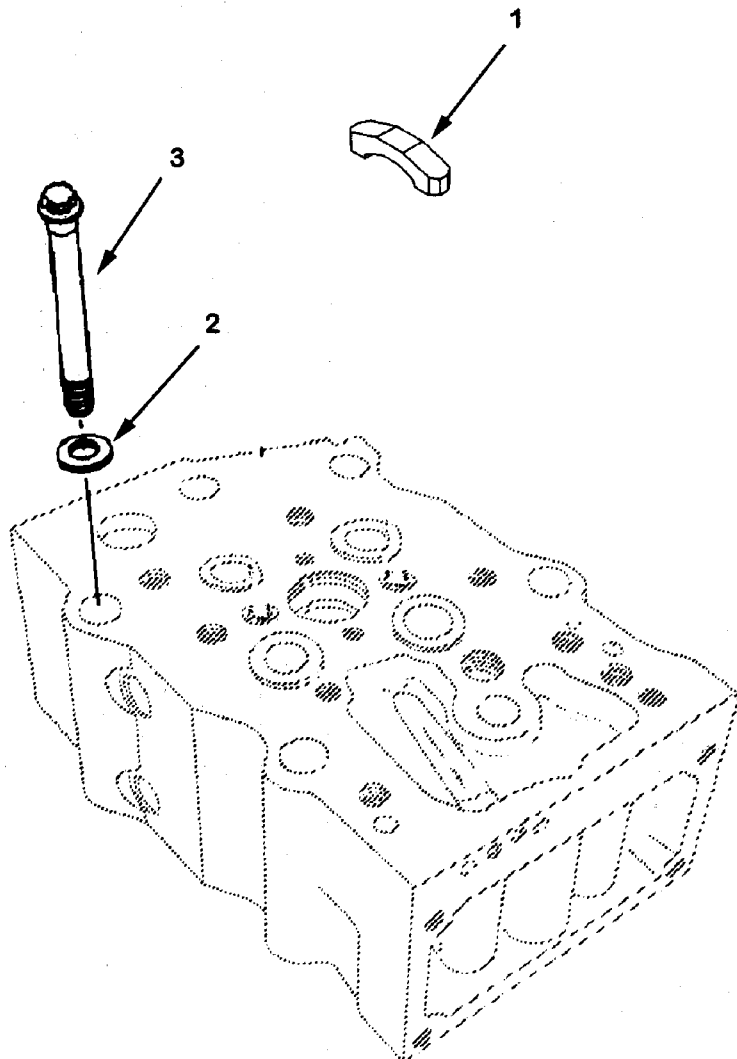
Ref No.	Part Number	Part Name	Req	Remarks
		<b>AFTERCOOLER CORE OPTION PP2227</b>		
1	S-104	Screw, Hexagon Head Cap	56	3/8 - 16 x 2 1/4 inch
2	3036460	Washer, Spring	56	
3	3068976	Core, Aftercooler	4	
4	3626867	Spacer, Mounting	50	
5	3627381	Seal, Rectangular Strip	4	
6	3627382	Seal, Aftercooler Core	4	



Ref No.	Part Number	Part Name	Req	Remarks
<b>PLUMBING, AFTERCOOLER</b>				
<b>OPTION PP2227</b>				
1	S-104	Screw, Hexagon Head Cap	4	
2	S-105	Screw, Hexagon Head Cap	8	3/8 - 16 x 3 1/2 inch
3	68910	Seal, O Ring	24	
4	3036460	Washer, Spring	12	
5	3058812	Seal, Dust	16	
6	3063294	Seal, Grommet	8	
7	3179850	Tube, Water Transfer	1	LB return
8	3050953	Tube, Water Transfer	4	all
9	3626717	Connection, Water Transfer	1	LB return
10	3626720	Connection, Water Transfer	1	LB return
11	3179859	Tube, Water Transfer	1	RB return
12	3626718	Connection, Water Transfer	1	RB return
13	3626719	Connection, Water Transfer	1	RB return
14	3179853	Tube, Water Transfer	1	LB supply
15	3629208	Connection, Water Transfer	1	LB supply
16	3629209	Connection, Water Transfer	1	LB supply
17	3629497	Draincock	4	
18	3179856	Tube, Water Transfer	1	RB supply
19	3629210	Connection, Water Transfer	1	RB supply
20	3629211	Connection, Water Transfer	1	RB supply
21	3629820	Brace, Tube	2	
22	3629821	Brace, Tube	2	

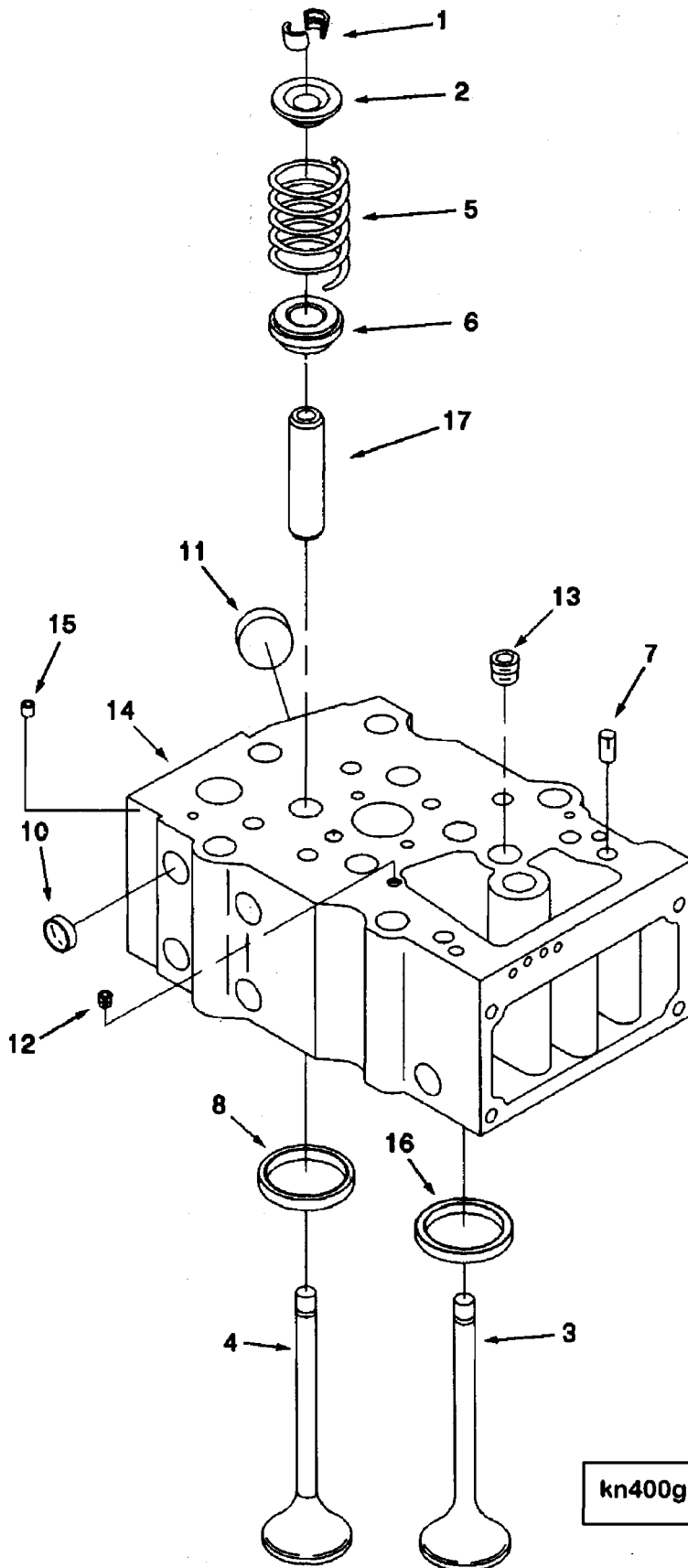


Ref No.	Part Number	Part Name	Req	Remarks
		<b>CONNECTING ROD OPTION PP2354</b>		Performance parts for single stage KTA-50G8 with LTA K2000 technology. Less raw water pumps. Includes: pulse type exhaust manifolds. Dual STC stepped timing control. Reduced drain flow injectors. Premium performance parts consisting of: Dual ni-resist pistons with off-set piston pin. Valve rotators. Tribaloy valves and valve seats. ORS hoses for STC turbo supply. For standby prime and continuous power.
		<b>CONNECTING ROD OPTION PP2355</b>		Performance parts for single stage KTA-50G9 with LTA K2000 technology. Less raw water pumps. Includes: pulse type exhaust manifolds. Dual STC stepped timing control. Reduced drain flow injectors. Premium performance parts consisting of: Dual ni-resist pistons with off-set piston pin. Valve rotators. Tribaloy valves and valve seats. ORS hoses for STC turbo supply. For standby prime and continuous power.
1	3630024 (3630023)	Rod, Engine Connecting	16	
2	3013266	Rod, Engine Connecting	1	
3	3043909	Screw, Connecting Rod Cap	2	
4	69558	Bushing	1	
5	205126	Dowel, Pin	4	
6	3047390	Washer, Plain	2	
	3047391	Bearing, Connecting Rod	2	Standard
	3047392	Bearing, Connecting Rod	A/R	.010 Inch oversize
	3047393	Bearing, Connecting Rod	A/R	.020 Inch oversize
	3047394	Bearing, Connecting Rod	A/R	.030 Inch oversize
			A/R	.040 Inch oversize
		<b>PISTON, PIN, AND RINGS</b>		
7	3804885	Kit, Engine Piston	16	
8	205200	Pin, Piston	1	
9	3630916	Piston, Engine	1	
10	205269	Ring, Retaining	2	
11	3631248	Set, Piston Ring	16	Standard
12	3070589	Ring, Compression Piston	1	Top
	3090460	Ring, Compression Piston	1	Intermediate
	3090450	Ring, Oil Piston	1	

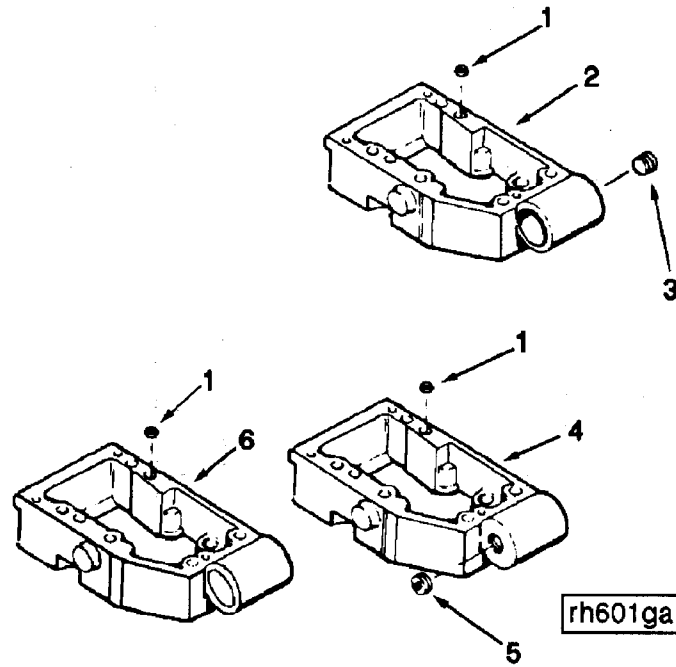


kn600gq

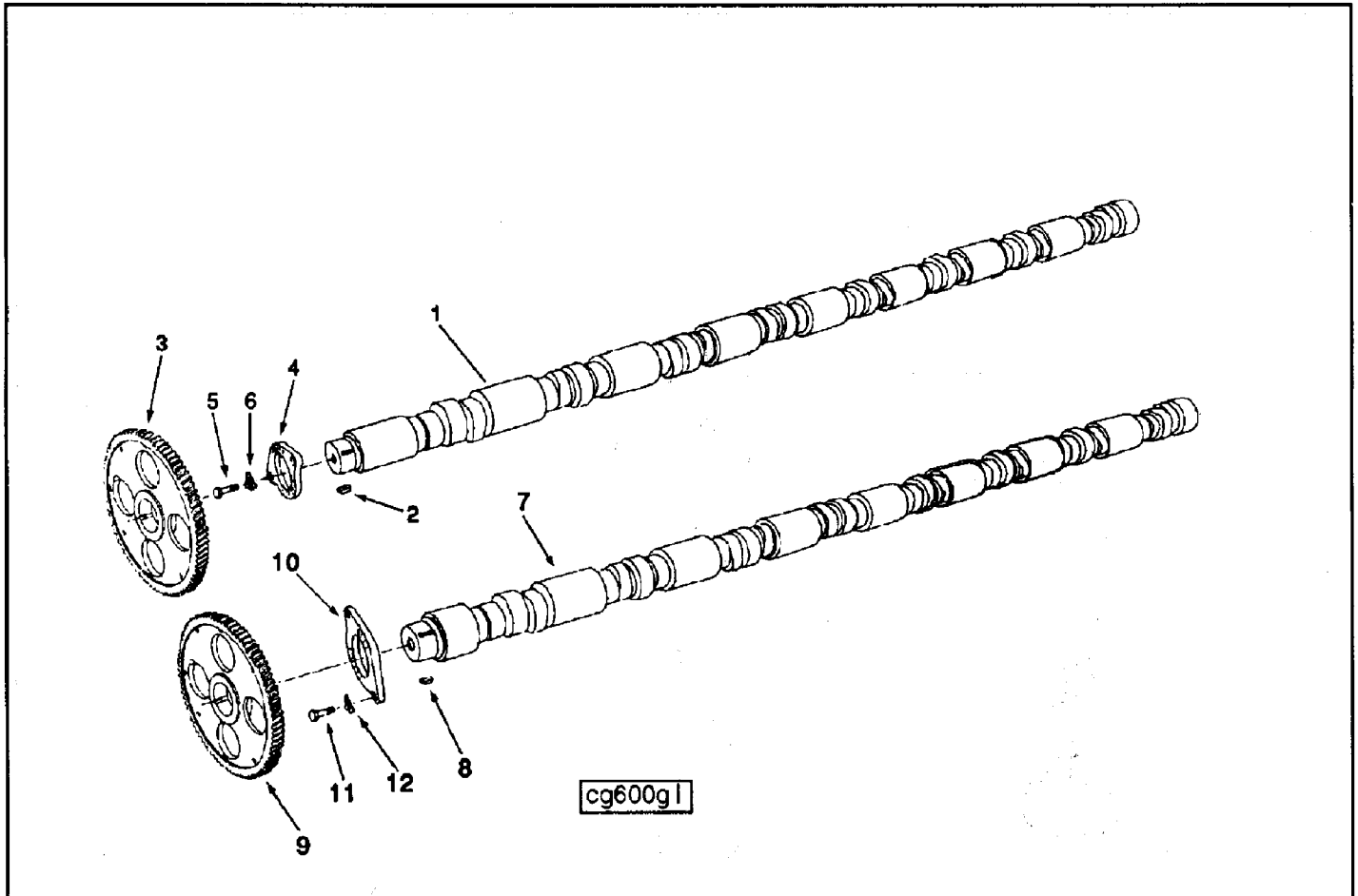
Ref No.	Part Number	Part Name	Req	Remarks
<b>CYLINDER HEAD MOUNTING</b> <b>OPTION PP2354</b> <b>OPTION PP2355</b>				
1	3048620	Crosshead, Valve	36	
2	205059	Washer, Plain	96	
3	3032633	Screw, Twelve Point Cap	96	3/4 - 16 x 8 inch
4	3166286	Gasket, Cylinder Head	16	



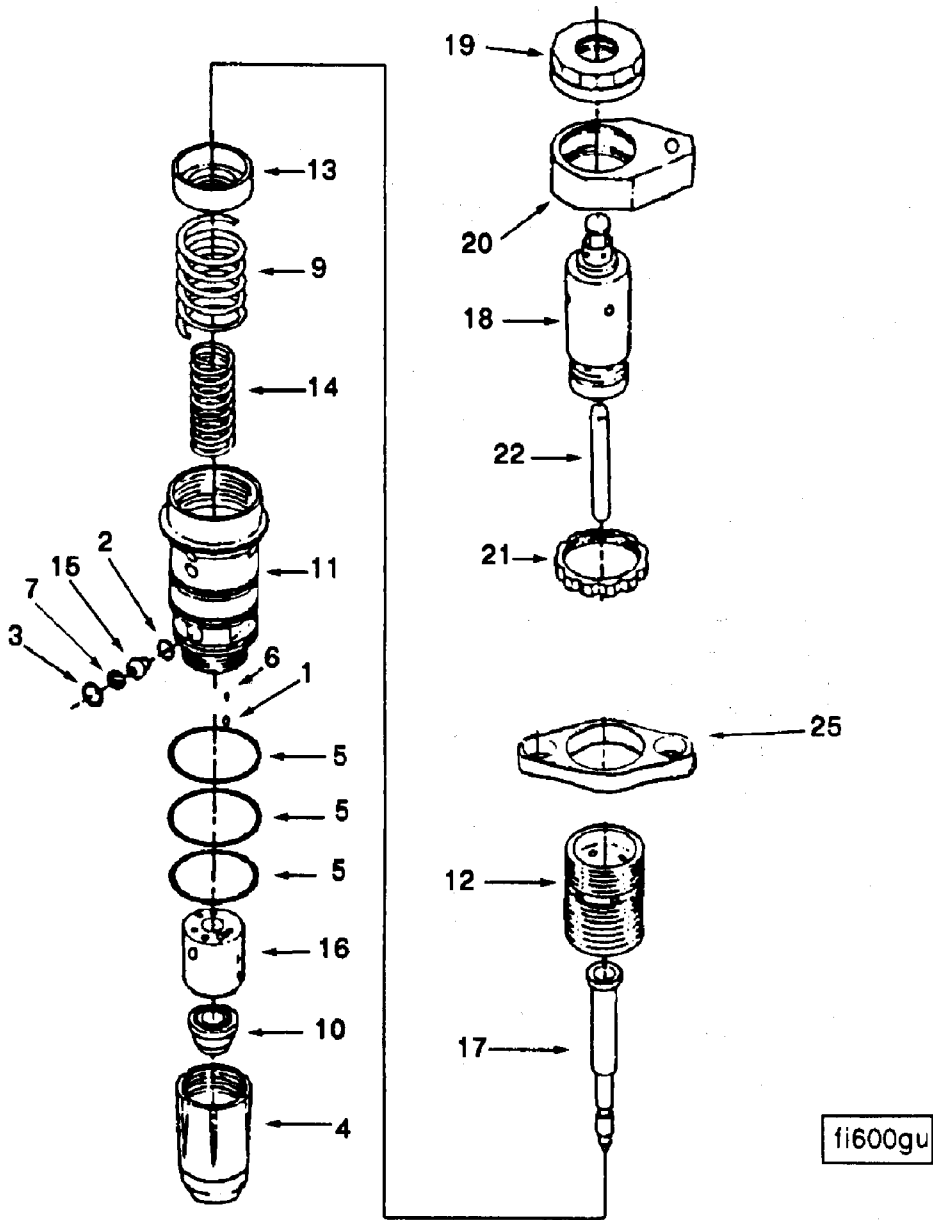
Ref No.	Part Number	Part Name	Req	Remarks
		<b>CYLINDER HEAD</b>		
		<b>OPTION PP2354</b>		
		<b>OPTION PP2355</b>		
	3811985	Cylinder Head	16	
1	205091	Collet, Valve	8	
2	205094	Retainer, Valve Spring	4	
3	3052820	Valve, Intake	2	
4	3088389	Valve, Exhaust	2	
5	3629007	Spring, Valve	4	
6	3081081	Rotator, Valve	4	
7	68445	Pin, Groove	2	
8	205093	Insert, Valve	2	
10	205401	Plug, Expansion	8	
11	206224	Plug, Expansion	2	
12	67622	Plug, Pipe	1	
13	S-915-A	Plug, Pipe	1	
14	3081064	Head, Cylinder	1	
15	203933	Plug, Expansion	1	
16	3052819	Insert, Valve	2	
17	3202210	Guide, Valve Stem	4	



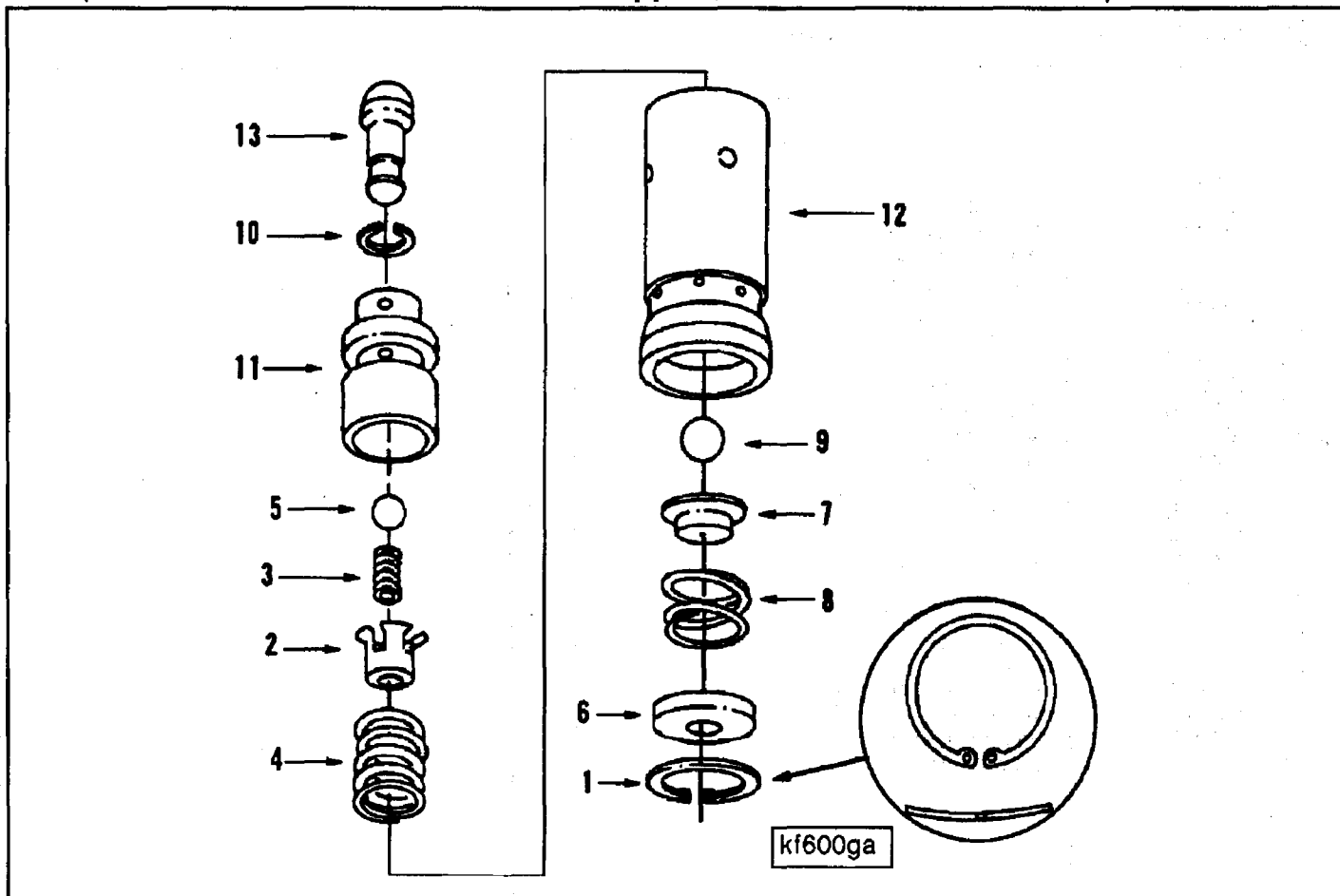
Ref No.	Part Number	Part Name	Req	Remarks
		<b>ROCKER HOUSING</b>		
		<b>OPTION PP2354</b>		
		<b>OPTION PP2355</b>		
1	205129	Dowel, Ring	16	
2	3629538	Housing, Rocker Lever	1	
3	3628607	Plug, Pipe	1	
4	3202199	Housing, Rocker Lever	1	
5	3628607	Plug, Pipe	1	
6	3177713	Housing, Rocker Lever	14	



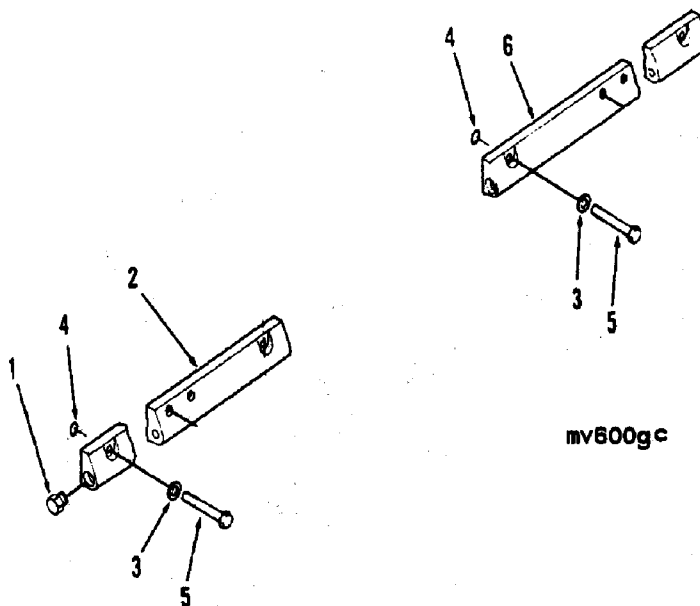
Ref No.	Part Number	Part Name	Req	Remarks
<b>CAMSHAFT &amp; GEAR - RIGHT</b>				
<b>OPTION PP2354</b>				
<b>OPTION PP2355</b>				
1	3098738	Camshaft	1	
2	S-302	Key, Offset Woodruff	1	
3	206747	Gear, Camshaft	1	
4	3007971	Bearing, Camshaft Thrust	1	
5	S-112	Screw, Hexagon Head Cap	2	3/8 - 16 x 1 inch
6	68908	Lockplate	2	
<b>CAMSHAFT &amp; GEAR - LEFT</b>				
<b>OPTION PP2354</b>				
<b>OPTION PP2355</b>				
7	3098739	Camshaft	1	
8	S-302	Key, Offset Woodruff	1	
9	207248	Gear, Camshaft	1	
10	3007971	Bearing, Camshaft Thrust	1	
11	S-112	Screw, Hexagon Head Cap	2	3/8 - 16 x 1 inch
12	68908	Lockplate	2	



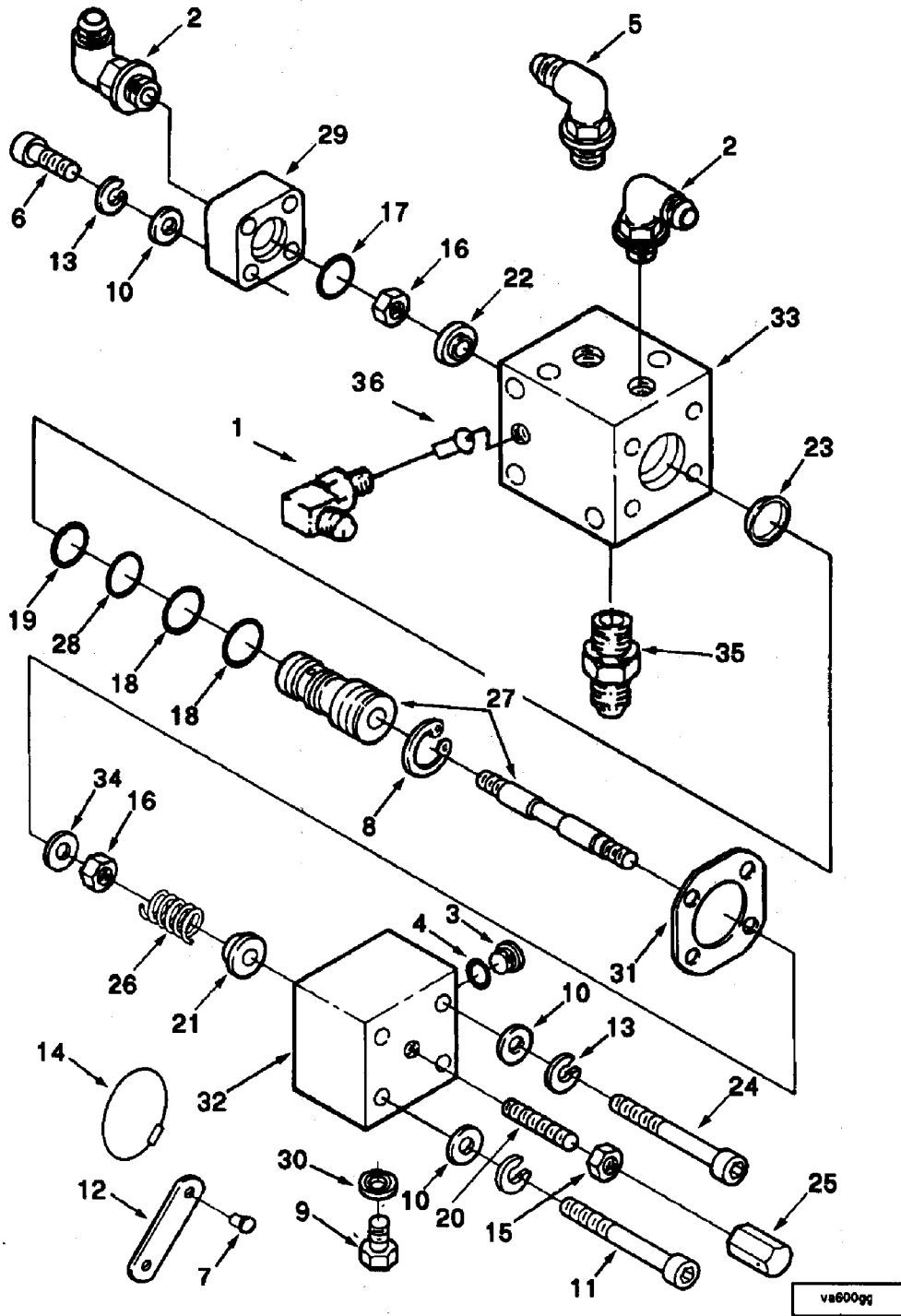
Ref No.	Part Number	Part Name	Req	Remarks
		<b>INJECTOR</b>		
		<b>OPTION PP2354</b>		
	3349860	Injector	16	
1	167157	Ball, Check	1	
2	173086	Gasket, Injector	1	
3	174299	Retainer, Screen	1	
4	3042430	Retainer, Injector Cup	1	
5	193736	Seal, O Ring	3	
6	203426	Pin, Roll	2	
7	3008706	Screen, Filter	1	
9	3042427	Spring, Injector	1	
10	3609841	Cup, injector	1	
11	3042425	Adapter, Injector	1	
12	3279821	Screw, Injector Stop	1	
13	3052218	Retainer, Injector Spring	1	
14	3042428	Spring, Injector	1	
15	(3045047)	Plug, Injector Orifice	1	
	3076126	Barrel & Plunger	1	
16	3053504	Barrel, Injector	1	
17	3076124	Plunger, Injector	1	
18	3075381	Tappet, Hyd Var Timing	1	
19	3068859	Cap, Tappet Top Stop	1	
20	3279850	Nut, Tappet Top Stop Lock	1	
21	3068860	Nut, Lock	1	
22	3627894	Link, Injector Plunger	1	
25	3003682	Clamp, Injector	1	



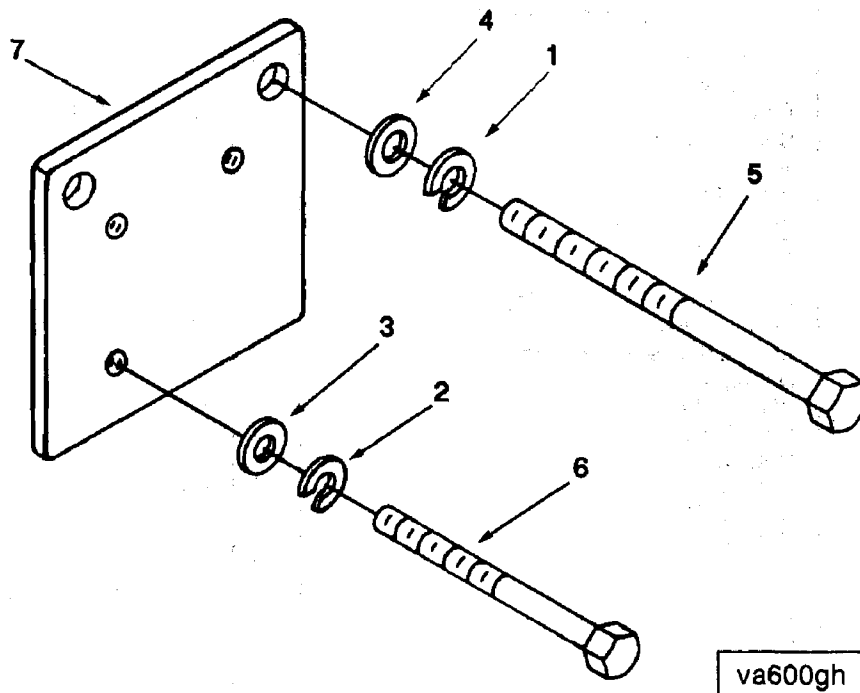
Ref No.	Part Number	Part Name	Req	Remarks
		<b>TAPPET OPTION PP2354</b>		
	3075381	Tappet, Hyd Var Timing	16	
1	3027988	Ring, Retaining	1	
2	3062600	Guide, Ball	1	
3	3027994	Spring, Compression	1	
4	3054852	Spring, Injector	1	
5	(3027996)	Ball, Check	1	
6	(3085345)	Socket, Tappet	1	
7	(3050344)	Guide, Spring	1	
8	3050345	Spring, Compression	1	
9	3062119	Ball, Check	1	
10	(3052231)	Retainer, Injector Link	1	
11	(3053772)	Plunger, Tappet	1	
12	(3062120)	Sleeve, Tappet	1	
13	3052233	Link, Injector Plunger	1	



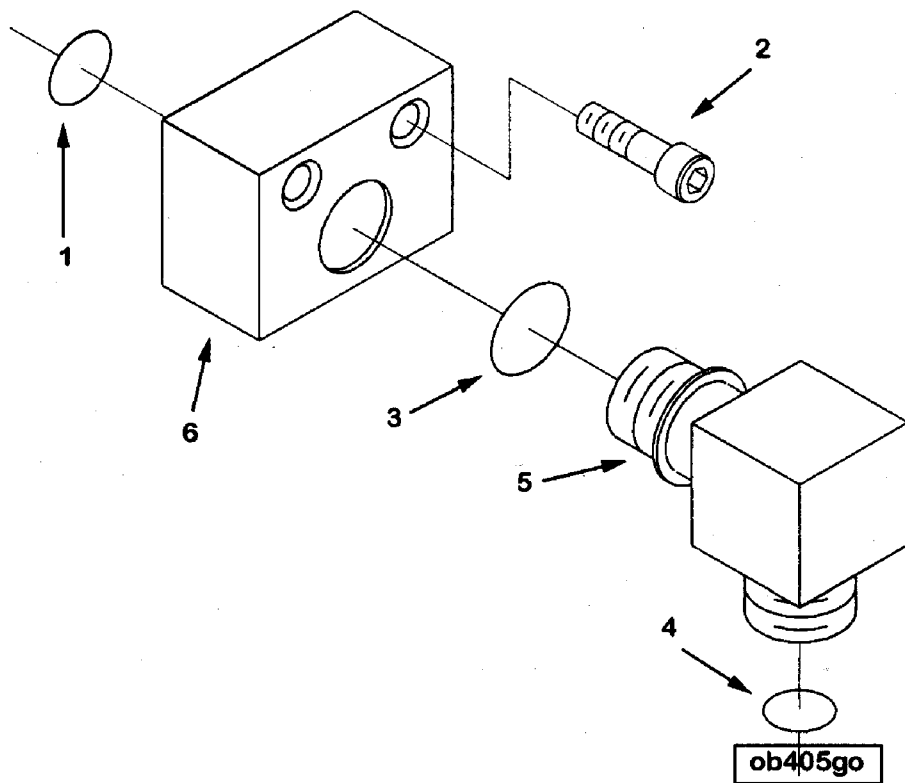
Ref No.	Part Number	Part Name	Req	Remarks
		<b>STC OIL MANIFOLD</b>		
		<b>OPTION PP2354</b>		
		<b>OPTION PP2355</b>		
1	3023217	Plug, Threaded	8	
2	3084623	Manifold, Oil	2	
3	127018	Washer, Plain	16	
4	3001340	Seal, O Ring	16	
5	3001811	Screw, Twelve Point Cap	16	1/4 - 20 x 1 inch
6	3084624	Manifold, Oil	2	



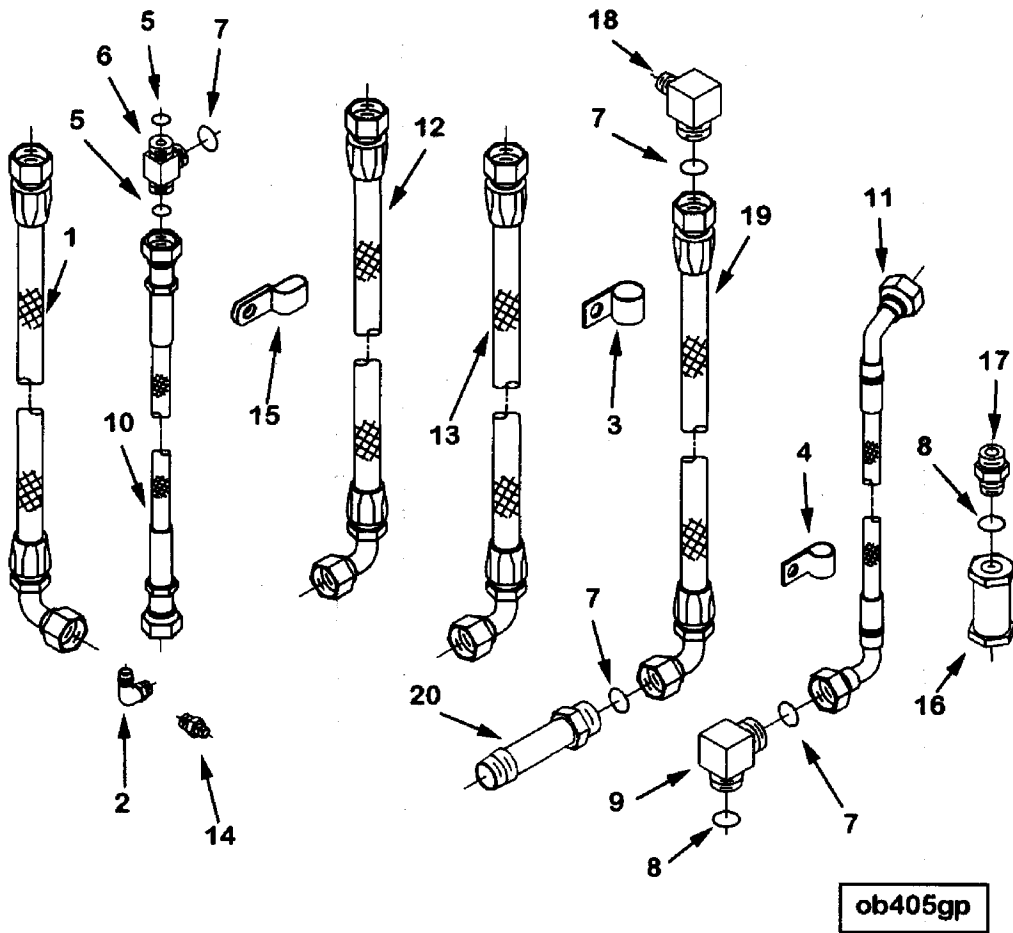
Ref No.	Part Number	Part Name	Req	Remarks
		<b>STC VALVE</b>		
		<b>OPTION PP2354</b>		
		<b>OPTION PP2355</b>		
1	3038743	Valve, Check	1	
2	3037662	Elbow, Male Union	2	
3	3040814	Plug, Threaded	1	7/16 - 20 UNF
4	3036666	Seal, O Ring	1	
5	3061835	Tee, Male Union	1	
	3076332	Valve, Oil Control	2	
6	3075637	Screw, Socket Head Cap	4	
7	S-2286	Screw, Drive	2	3/16 inch
8	S-16240	Ring, Retaining	1	
9	70446	Screw, Hexagon Head Cap	1	
10	70704	Washer, Plain	8	1/4 inch
11	3073999	Screw, Socket Head Cap	3	1/4 - 20 x 2 1/2 inch
12	105375	Nameplate	1	
13	181466	Washer, Lock	8	1/4 inch
14	3003156	Seal, Wire	1	
15	3021639	Nut, Sealing	1	
16	3029301	Nut, Lock	2	1/4 - 28 UNF
17	3034408	Seal, O Ring	1	
18	3042542	Seal, O Ring	2	
19	3045986	Seal, O Ring	1	
20	109919	Screw, Socket Set	1	1/4 - 28 x 1 1/2 inch
21	3049041	Retainer, Spring	1	
22	3073998	Disc, Valve	1	
23	3054411	Spring, Leaf	1	
24	3075638	Screw, Socket Head Cap	1	1/4 - 20 x 2 1/2 inch
25	3055687	Nut, Control Valve	1	1/4 - 28 UNF
26	3051069	Spring, Compression	1	
27	3060605	Barrel & Plunger	1	
28	3066914	Seal, O Ring	1	
29	3069989	Cover, Oil Control Valve	1	
30	3069998	Washer, Sealing	1	
31	3070108	Gasket, Control Valve Body	1	
32	3070124	Cover, Diaphragm	1	
33	3060606	Body, Oil Control Valve	1	
34	3070186	Washer, Plain	1	1/4 inch
35	3063020	Connector, Male	1	
36	3044993	Plug, Injector Orifice	1	



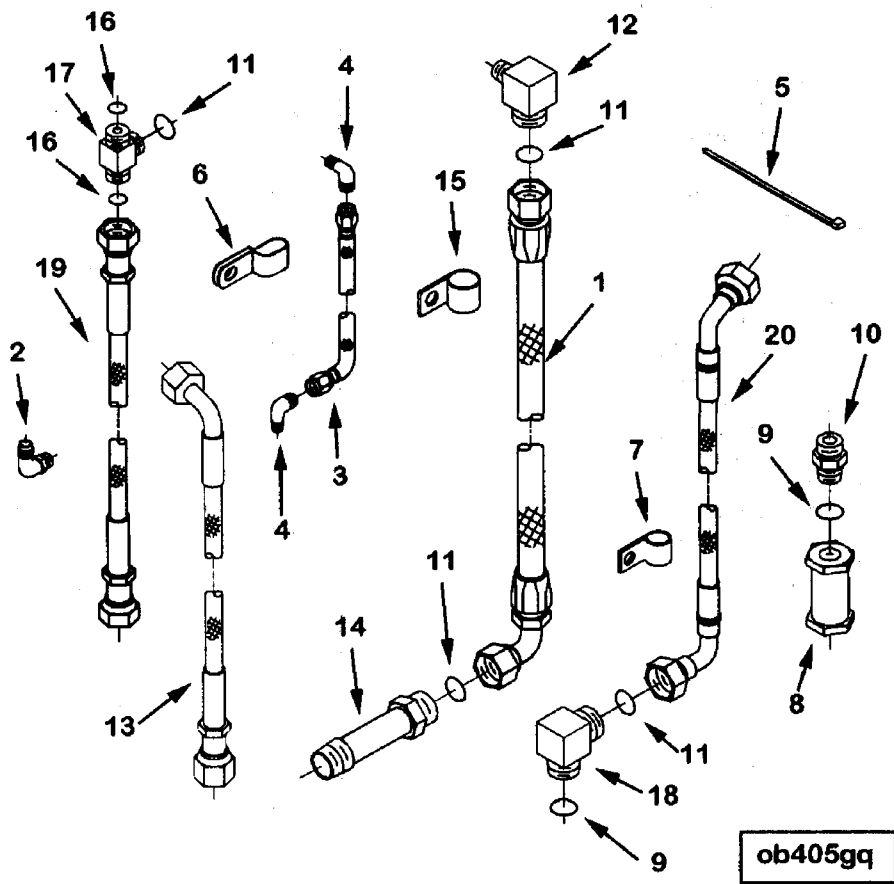
Ref No.	Part Number	Part Name	Req	Remarks
		<b>STC VALVE MOUNTING</b>		
		<b>OPTION PP2354</b>		
		<b>OPTION PP2355</b>		
1	S-604	Washer, Lock	4	3/8 inch
2	S-605	Washer, Lock	6	5/16 inch
3	S-626	Washer, Plain	6	5/16 inch
4	63842	Washer, Plain	4	3/8 inch
5	S-149-A	Screw, Hexagon Head Cap	4	3/8 - 16 x 5 inch
6	S-164	Screw, Hexagon Head Cap	6	5/16 - 24 x 3 inch
7	3178219	Bracket, Valve	2	



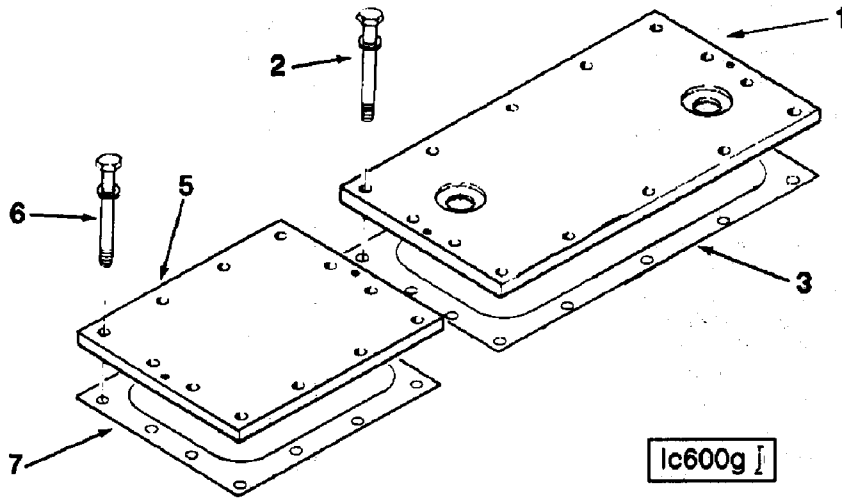
Ref No.	Part Number	Part Name	Req	Remarks
		<b>CONNECTION, OIL SUPPLY</b>		
		<b>OPTION PP2354</b>		
		<b>OPTION PP2355</b>		
	(3630849)	Connection, Oil Supply	1	
1	3084539	Seal, O Ring	4	
2	3178257	Screw, Socket Head Cap	8	
	3630738	Elbow, Male Union	4	
3	3046201	Seal, O Ring	4	
4	3627695	Seal, O Ring	4	
5	3630739	Elbow, Male Adapter	1	
6	3630829	Connection, Oil Supply	4	



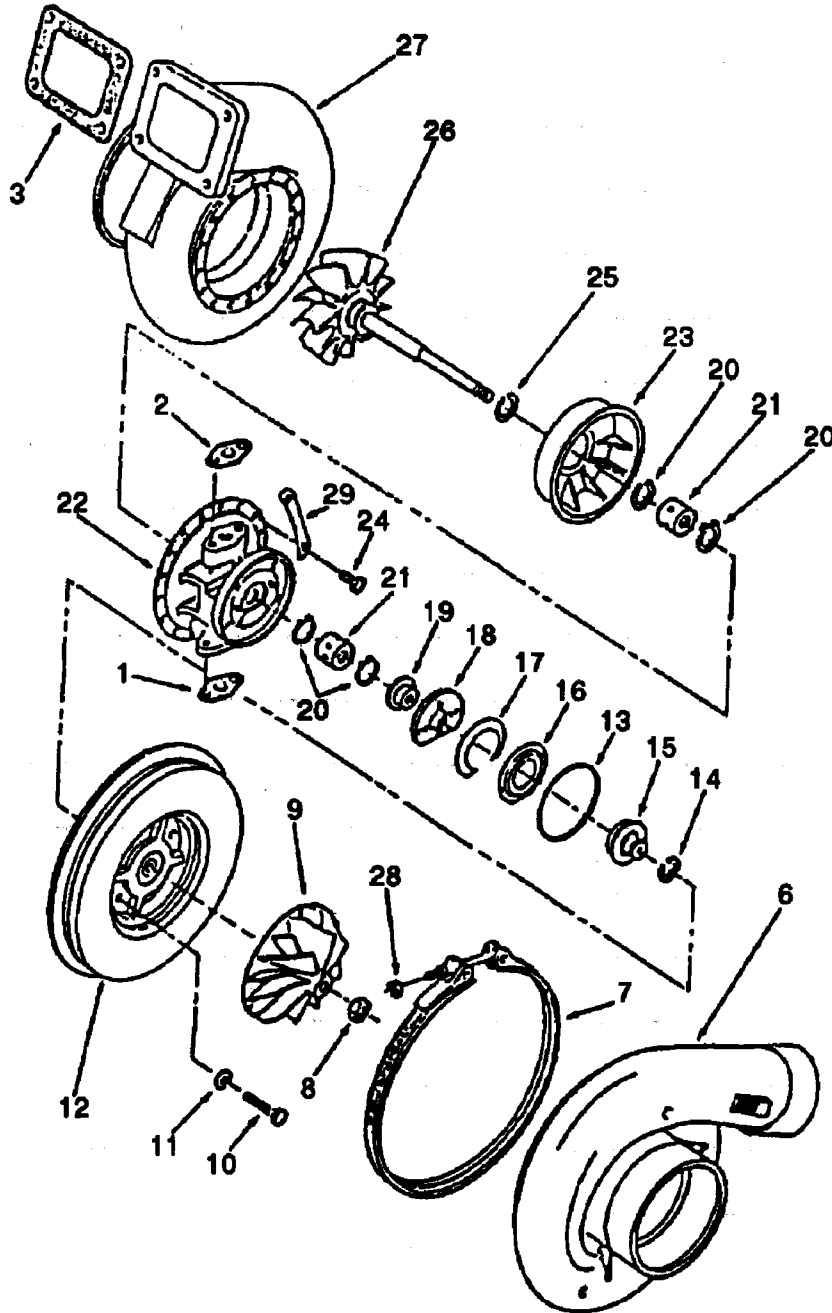
Ref No.	Part Number	Part Name	Req	Remarks
		<b>CONN, LB OIL CONTROL</b>		
		<b>OPTION PP2354</b>		
		<b>OPTION PP2355</b>		
	(3631368)	Conn, LB Oil Control	1	
1	AS4016SL	Hose, Flexible	1	
2	3037662	Elbow, Male Union	3	
3	69465	Clip	2	
4	69911-A	Clip	3	
	3630734	Tee, Male Union	1	
5	3627695	Seal, O Ring	2	
6	3630735	Tee, Male Union	1	
7	3630740	Seal, O Ring	1	
	3630736	Elbow, Male Union	1	
8	3046201	Seal, O Ring	1	
9	3630737	Elbow, Male Adapter	1	
7	3630740	Seal, O Ring	1	
10	3630866	Hose, Flexible	2	
11	3631438	Hose, Flexible	1	
12	AS405440SL	Hose, Flexible	1	
13	AS405640SL	Hose, Flexible	1	
14	68138	Connector, Male	2	
15	3178520	Clip	6	
16	178079	Valve, Check	1	
	3095291	Connector, Male	1	
8	3046201	Seal, O Ring	1	
17	3063019	Connector, Male	1	
	3630806	Elbow, Male Union	1	
7	3630740	Seal, O Ring	1	
18	3630828	Elbow, Male Adapter	1	
19	3630864	Hose, Flexible	1	
	3630877	Union, Male	1	
7	3630740	Seal, O Ring	1	
20	3630878	Connector, Male	1	



Ref No.	Part Number	Part Name	Req	Remarks
		<b>CONN, RB OIL CONTROL</b>		
		<b>OPTION PP2354</b>		
		<b>OPTION PP2355</b>		
	(3631369)	Conn, LB Oil Control	1	
1	AS4016SL	Hose, Flexible	1	
2	3037662	Elbow, Male Union	3	
3	AS4057SS	Hose, Flexible	2	
4	68139	Elbow, Male Adapter	2	
5	3018920	Clamp, Wire Tie	1	
6	3178520	Clip	5	
7	69911-A	Clip	3	
8	178079	Valve, Check	1	
	3095291	Connector, Male	1	
9	3046201	Seal, O Ring	1	
10	3063019	Connector, Male	1	
	3630806	Elbow, Male Union	1	
11	3630740	Seal, O Ring	4	
12	3630828	Elbow, Male Adapter	1	
13	3630864	Hose, Flexible	1	
	3630877	Union, Male	1	
11	3630740	Seal, O Ring	1	
14	3630878	Connector, Male	1	
15	69465	Clip	2	
	3630734	Tee, Male Union	1	
16	3627695	Seal, O Ring	2	
17	3630735	Tee, Male Union	1	
11	3630740	Seal, O Ring	1	
	3630736	Elbow, Male Union	1	
9	3046201	Seal, O Ring	1	
18	3630737	Elbow, Male Adapter	1	
11	3630740	Seal, O Ring	1	
19	3630866	Hose, Flexible	2	
20	3631437	Hose, Flexible	1	

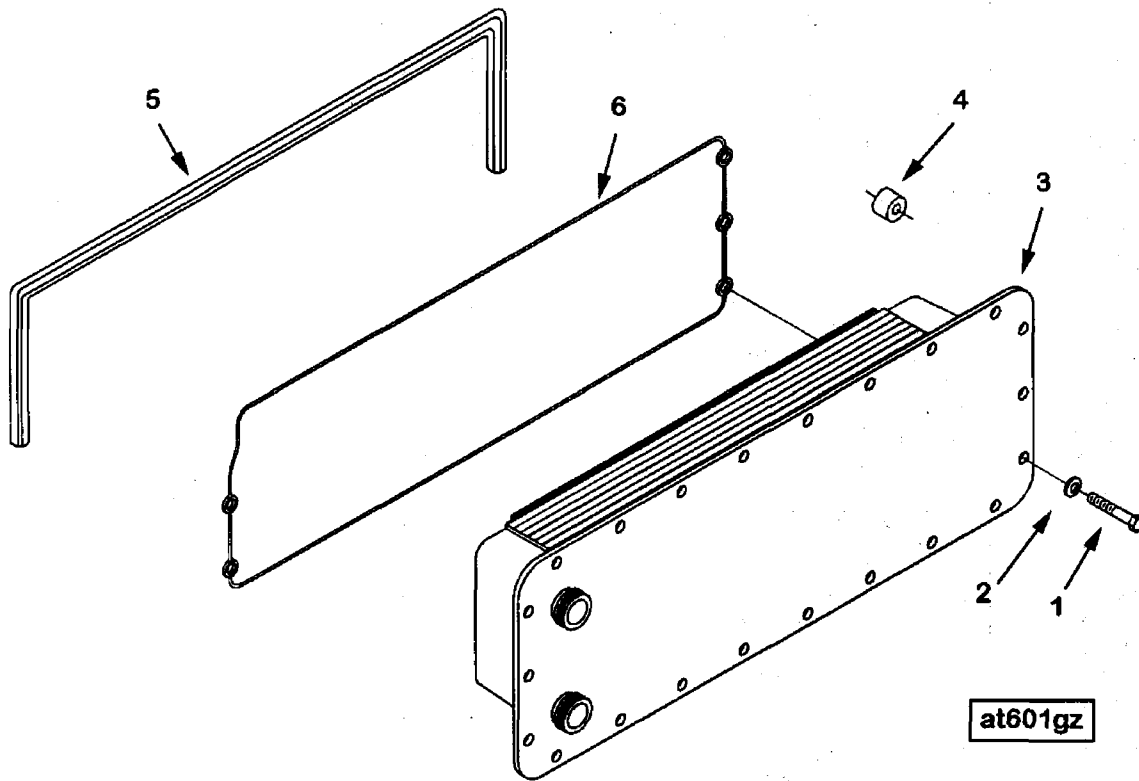


Ref No.	Part Number	Part Name	Req	Remarks
		<b>WATER HEADER</b>		
		<b>OPTION PP2354</b>		
		<b>OPTION PP2355</b>		
1	3629066	Cover, Water Header	4	
2	3010596	Screw, Captive Washer Cap	56	3/8 - 16 x 1 1/4 inch
3	3009324	Gasket, Water Header Cover	4	
5	3629065	Cover, Water Header	1	
6	3010596	Screw, Captive Washer Cap	12	3/8 - 16 x 1 1/4 inch
7	3009323	Gasket, Water Header Cover	1	

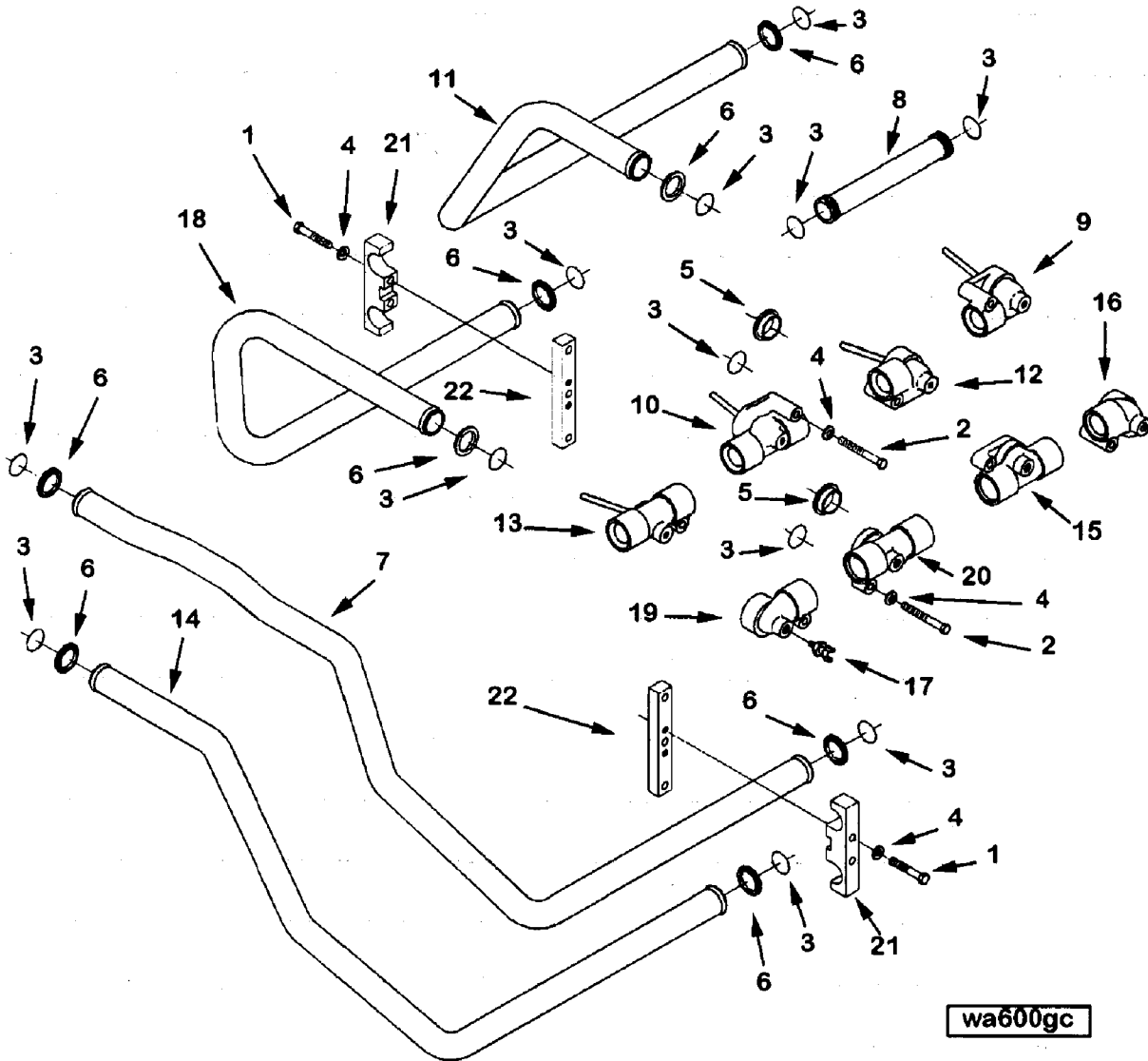


tb601gf

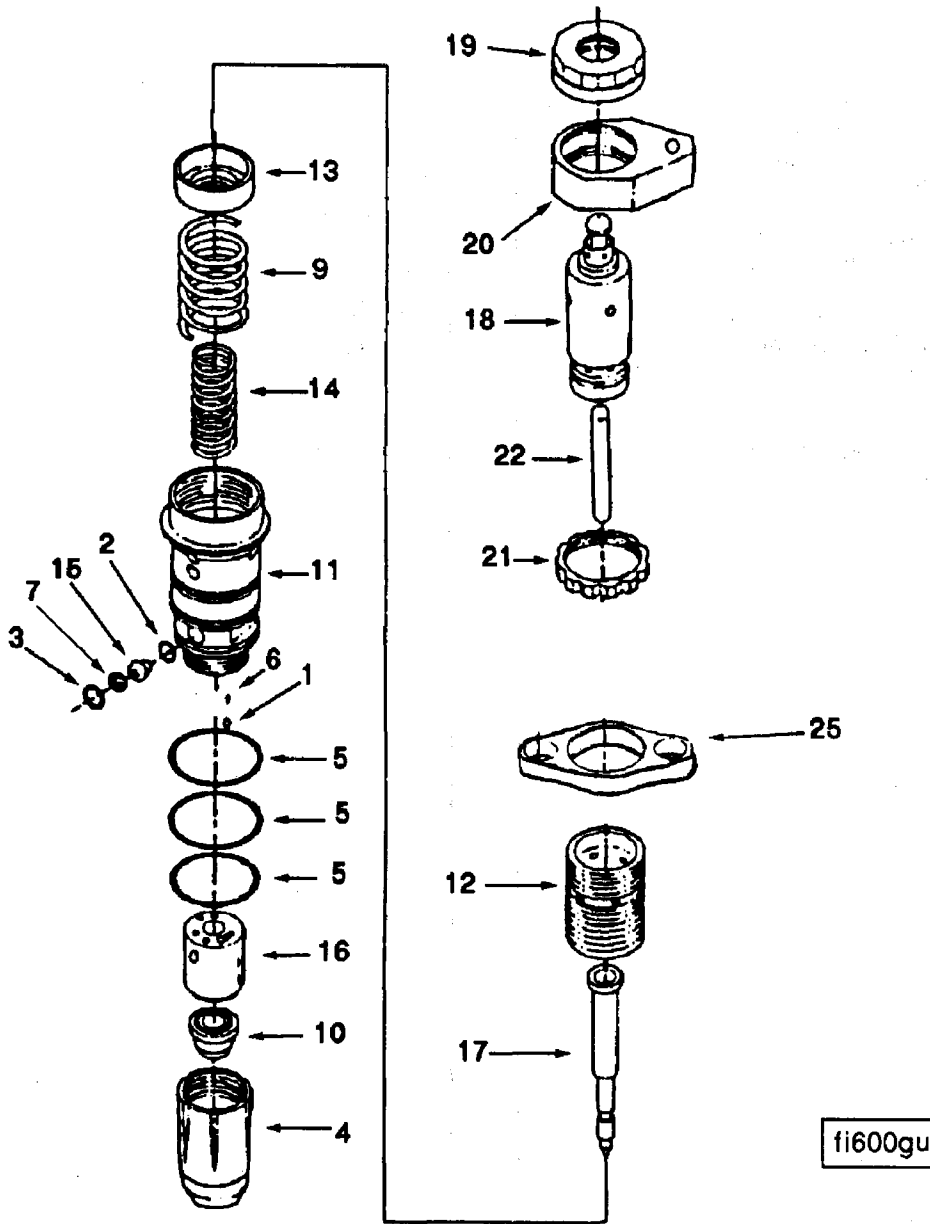
Ref No.	Part Number	Part Name	Req	Remarks
		<b>TURBOCHARGER</b>		
		<b>OPTION PP2354</b>		
	3804863	Turbocharger	2	
1	201048	Gasket, Connection	1	
2	201049	Gasket, Connection	1	
3	3177942	Gasket, Turbocharger	1	
	3539284	Turbocharger	1	
6	3523580	Housing, Compressor	1	
7	3528109	Clamp, V Band	1	
8	3519535	Nut, Lock	1	
9	3533704	Impeller, Tur Compressor	1	
10	3525073	Screw, Hexagon Head Set	4	
11	3504967	Washer, Plain	4	
12	3527104	Diffuser, Turbocharger	1	
13	3502449	Seal, Rectangular Ring	1	
14	3521442	Seal, Split Ring	1	
15	3523980	Slinger, Oil	1	
16	3524419	Baffle, Oil	1	
17	3524418	Shim	1	
18	3526985	Bearing, Tur Thrust	1	
19	3519623	Collar, Thrust	1	
20	3519641	Ring, Retaining	4	
21	3519627	Bearing, Turbocharger	2	
22	3523429	Housing, Tur Bearing	1	
23	3519783	Shield, Turbocharger Heat	1	
24	3521225	Screw, Hexagon Head Set	8	
25	3523412	Seal, Split Ring	1	
26	3521032	Shaft & Wheel	1	
27	3534169	Housing, Turbine	1	
28	3529372	Nut, Regular Hexagon	1	
29	3522904	Lockplate	4	



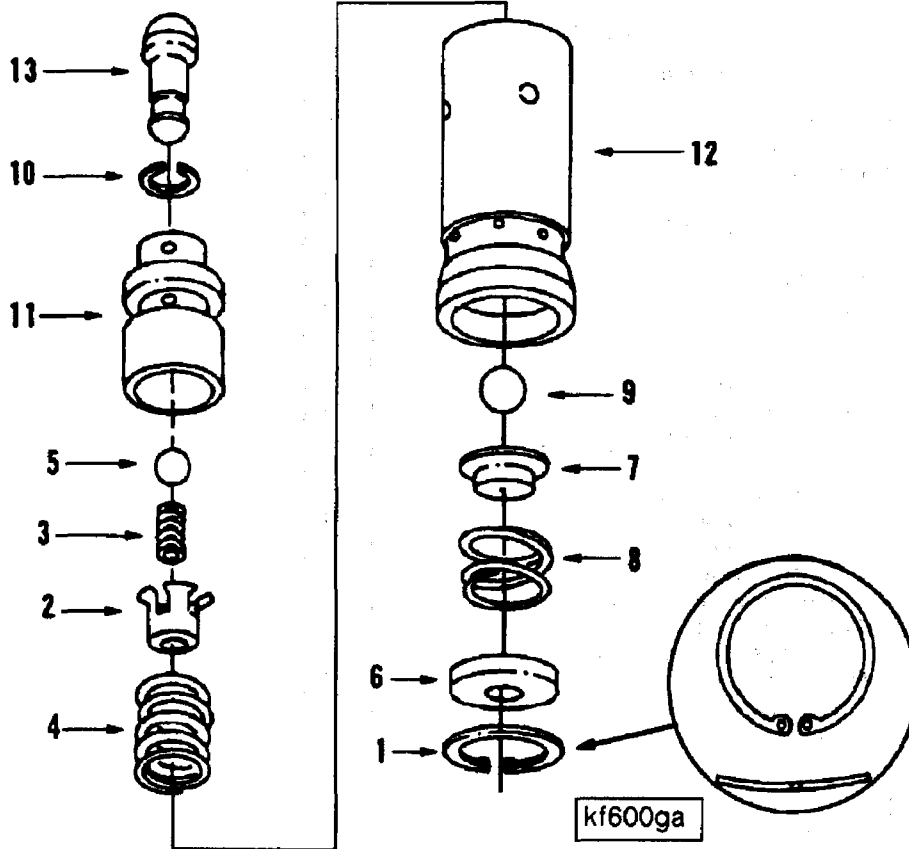
Ref No.	Part Number	Part Name	Req	Remarks
		<b>AFTERCOOLER CORE OPTION PP2354 OPTION PP2355</b>		
1	S-104	Screw, Hexagon Head Cap	56	3/8 - 16 x 2 1/4 inch
2	3036460	Washer, Spring	56	
3	3068976	Core, Aftercooler	4	
4	3626867	Spacer, Mounting	50	
5	3627381	Seal, Rectangular Strip	4	
6	3627382	Seal, Aftercooler Core	4	



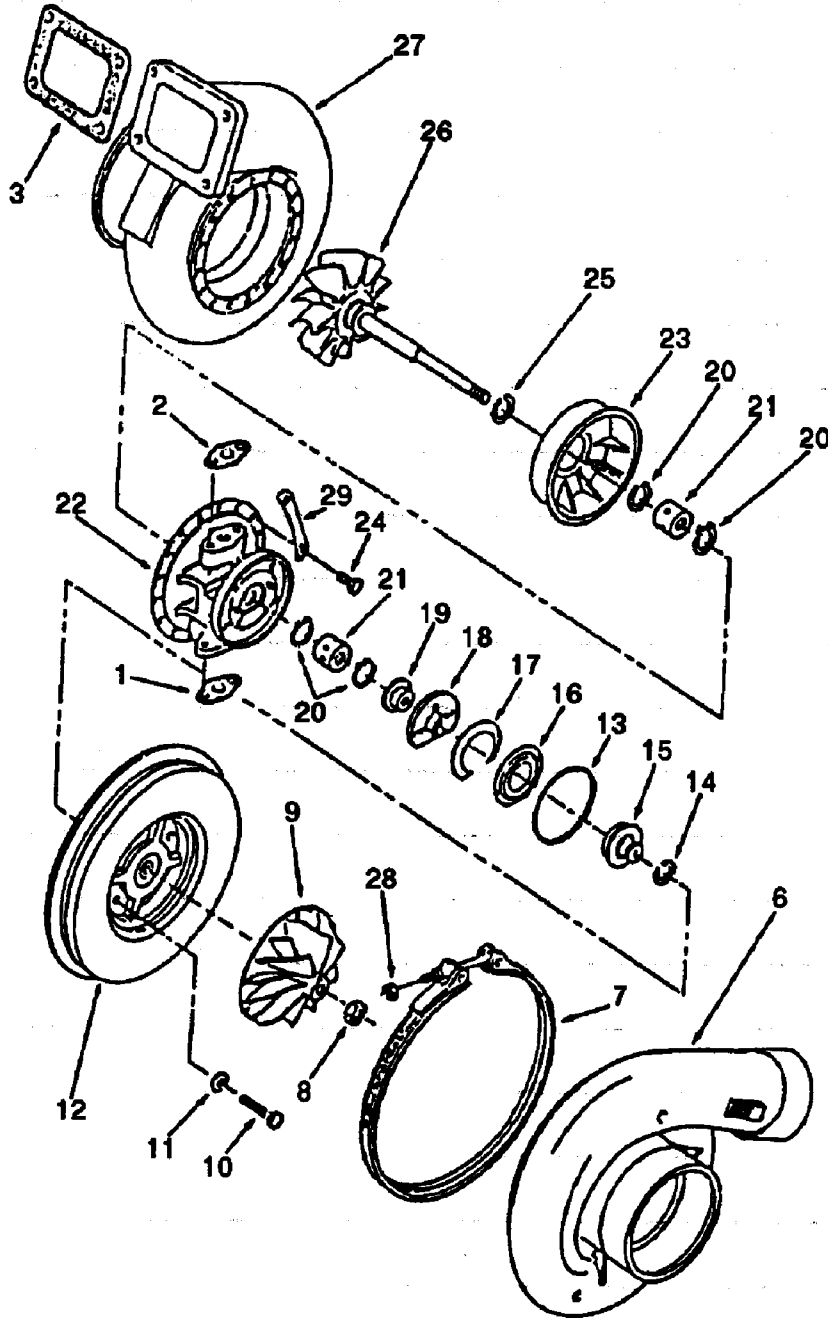
Ref No.	Part Number	Part Name	Req	Remarks
<b>PLUMBING, AFTERCOOLER</b>				
<b>OPTION PP2354</b>				
<b>OPTION PP2355</b>				
1	S-104	Screw, Hexagon Head Cap	4	
2	S-105	Screw, Hexagon Head Cap	8	3/8 - 16 x 3 1/2 inch
3	68910	Seal, O Ring	24	
4	3036460	Washer, Spring	12	
5	3058812	Seal, Dust	16	
6	3063294	Seal, Grommet	8	
7	3179850	Tube, Water Transfer	1	LB return
8	3050953	Tube, Water Transfer	4	all
9	3626717	Connection, Water Transfer	1	LB return
10	3626720	Connection, Water Transfer	1	LB return
11	3179859	Tube, Water Transfer	1	RB return
12	3626718	Connection, Water Transfer	1	RB return
13	3626719	Connection, Water Transfer	1	RB return
14	3179853	Tube, Water Transfer	1	LB supply
15	3629208	Connection, Water Transfer	1	LB supply
16	3629209	Connection, Water Transfer	1	LB supply
17	3629497	Draincock	4	
18	3179856	Tube, Water Transfer	1	RB supply
19	3629210	Connection, Water Transfer	1	RB supply
20	3629211	Connection, Water Transfer	1	RB supply
21	3629820	Brace, Tube	2	
22	3629821	Brace, Tube	2	



Ref No.	Part Number	Part Name	Req	Remarks
		<b>INJECTOR</b>		
		<b>OPTION PP2355</b>		
	3349861	Injector	16	
1	167157	Ball, Check	1	
2	173086	Gasket, Injector	1	
3	174299	Retainer, Screen	1	
4	3042430	Retainer, Injector Cup	1	
5	193736	Seal, O Ring	3	
6	203426	Pin, Roll	2	
7	3008706	Screen, Filter	1	
9	3042427	Spring, Injector	1	
10	3609841	Cup, Injector	1	
11	3042425	Adapter, Injector	1	
12	3279821	Screw, Injector Stop	1	
13	3052218	Retainer, Injector Spring	1	
14	3042428	Spring, Injector	1	
15	(3045047)	Plug, Injector Orifice	1	
	3076126	Barrel & Plunger	1	
16	3053504	Barrel, Injector	1	
17	3076124	Plunger, Injector	1	
18	3075381	Tappet, Hyd Var Timing	1	
19	3068859	Cap, Tappet Top Stop	1	
20	3279850	Nut, Tappet Top Stop Lock	1	
21	3068860	Nut, Lock	1	
22	3627894	Link, Injector Plunger	1	
25	3003682	Clamp, Injector	1	

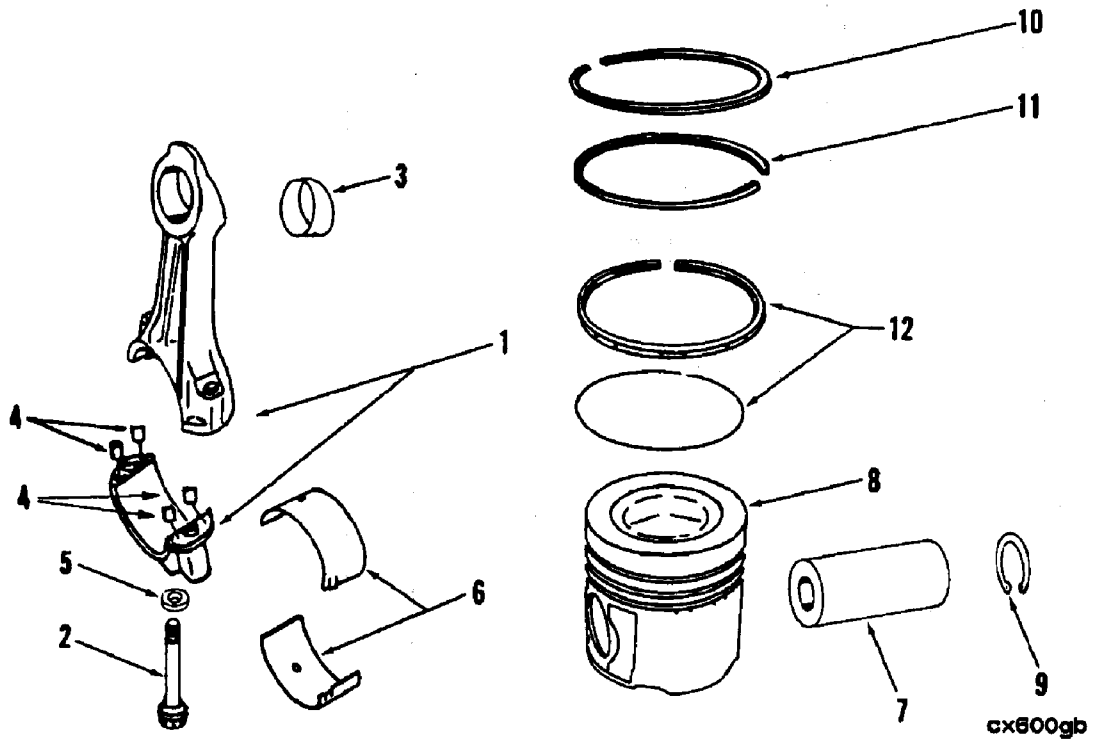


Ref No.	Part Number	Part Name	Req	Remarks
<b>TAPPET</b>				
<b>OPTION PP2355</b>				
	3075381	Tappet, Hyd Var Timing	16	
1	3027988	Ring, Retaining	1	
2	3062600	Guide, Ball	1	
3	3027994	Spring, Compression	1	
4	3054852	Spring, Injector	1	
5	(3027996)	Ball, Check	1	
6	(3085345)	Socket, Tappet	1	
7	(3050344)	Guide, Spring	1	
8	3050345	Spring, Compression	1	
9	3062119	Ball, Check	1	
10	(3052231)	Retainer, Injector Link	1	
11	(3053772)	Plunger, Tappet	1	
12	(3062120)	Sleeve, Tappet	1	
13	3052233	Link, Injector Plunger	1	

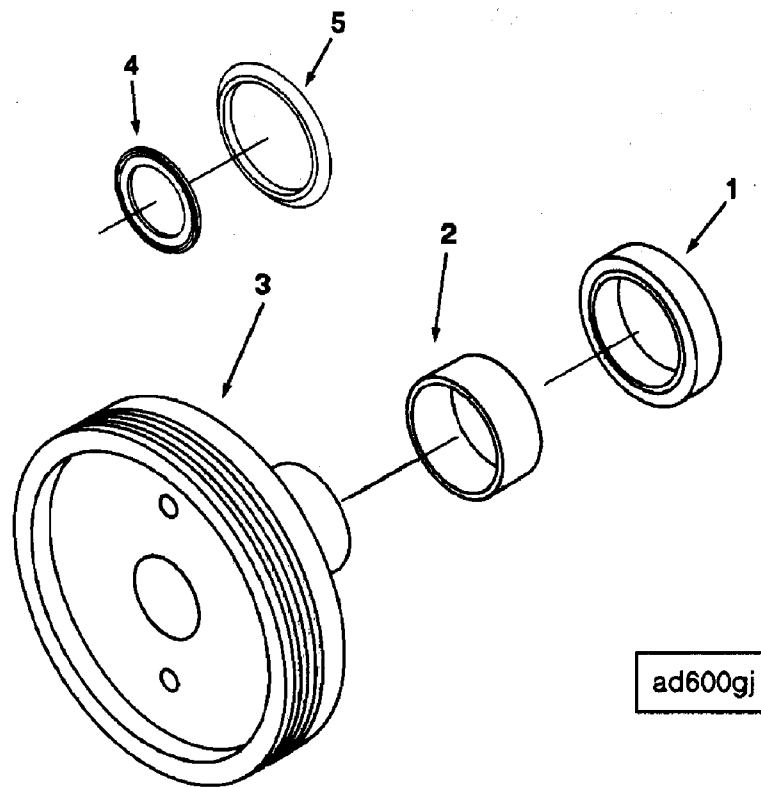


tb601g f

Ref No.	Part Number	Part Name	Req	Remarks
		<b>TURBOCHARGER</b>		
		<b>OPTION PP2355</b>		
	3804884	Turbocharger	2	
1	201048	Gasket, Connection	1	
2	201049	Gasket, Connection	1	
3	3177942	Gasket, Turbocharger	1	
	3539614	Turbocharger	1	
6	3539269	Housing, Compressor	1	
7	3528109	Clamp, V Band	1	
8	3519535	Nut, Lock	1	
9	3529367	Impeller, Tur Compressor	1	
10	3525073	Screw, Hexagon Head Set	4	
11	3504967	Washer, Plain	4	
12	3527104	Diffuser, Turbocharger	1	
13	3502449	Seal, Rectangular Ring	1	
14	3521442	Seal, Split Ring	1	
15	3523980	Slinger, Oil	1	
16	3524419	Baffle, Oil	1	
17	3524418	Shim	1	
18	3526985	Bearing, Tur Thrust	1	
19	3519623	Collar, Thrust	1	
20	3519641	Ring, Retaining	4	
21	3519627	Bearing, Turbocharger	2	
22	3523429	Housing, Tur Bearing	1	
23	3519783	Shield, Turbocharger Heat	1	
24	3521225	Screw, Hexagon Head Set	8	
25	3523412	Seal, Split Ring	1	
26	3521032	Shaft & Wheel	1	
27	3534169	Housing, Turbine	1	
28	3529372	Nut, Regular Hexagon	1	
29	3522904	Lockplate	4	

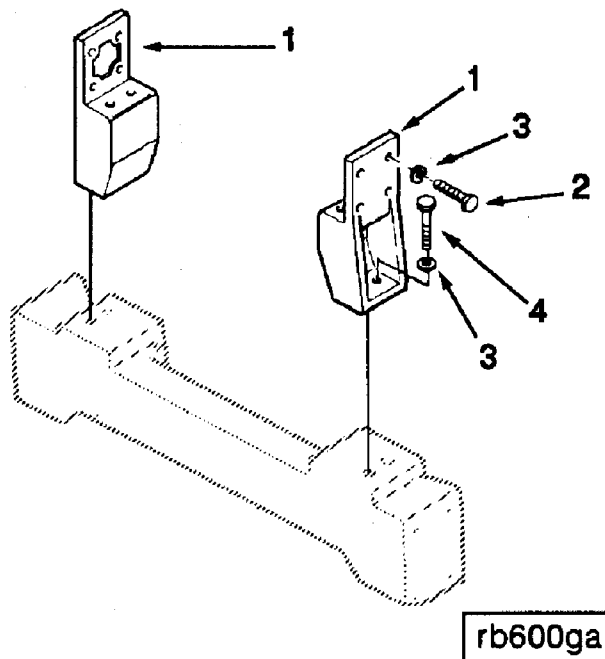


Ref No.	Part Number	Part Name	Req	Remarks
		<b>CONNECTING ROD</b>		
		<b>OPTION PP6732</b>		
				Connecting rods that do not require agency approvals.
1	3630024 (3630023)	Rod, Engine Connecting	16	
		Rod, Engine Connecting	1	
2	3013266	Screw, Connecting Rod Cap	2	
3	3043909	Bushing	1	
4	69558	Dowel, Pin	4	
5	205126	Washer, Plain	2	
6	3047390	Bearing, Connecting Rod	2	Standard
	3047391	Bearing, Connecting Rod	A/R	.010 Inch oversize
	3047392	Bearing, Connecting Rod	A/R	.020 Inch oversize
	3047393	Bearing, Connecting Rod	A/R	.030 Inch oversize
	3047394	Bearing, Connecting Rod	A/R	.040 Inch oversize
		<b>PISTON, PIN, AND RINGS</b>		
	3631241	Kit, Engine Piston	16	
7	205200	Pin, Piston	1	
8	3096685	Piston, Engine	1	
9	205269	Ring, Retaining	2	
	3631248	Set, Piston Ring	16	Standard
10	3070589	Ring, Compression Piston	1	Top
11	3090460	Ring, Compression Piston	1	Intermediate
12	3090450	Ring, Oil Piston	1	



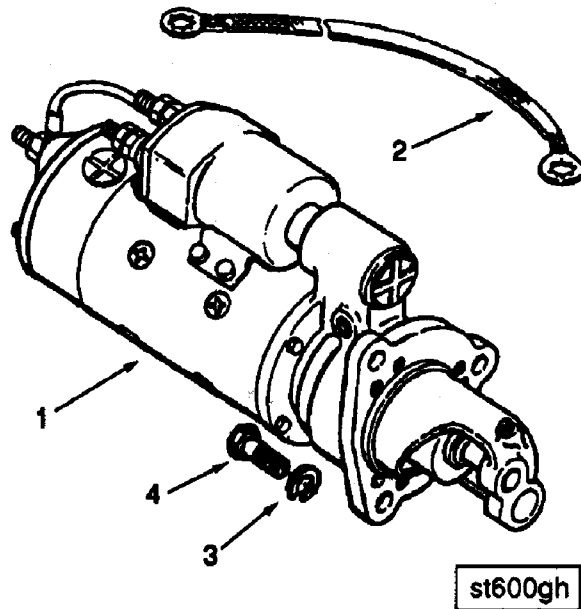
ad600gj

Ref No.	Part Number	Part Name	Req	Remarks
		<b>ACCESSORY DRIVE PULLEY</b> <b>OPTION PU6003</b>		Alternator drive pulley 4.93 inch (125MM) diameter for 5 rib "K" section v-ribbed belt. Driven at 1.68 times engine speed. For 2.62:1 ratio alternator drives. Mounted through the front gear cover, right bank side of engine.
1	3628895	Seal, Oil	1	
	3179944	Pulley, Accessory Drive	1	
2	3076346	Sleeve, Wear	1	
3	3628939	Pulley, Accessory Drive	1	
4	3200287	Seal, Keyway	1	
5	3628894	Seal, Dust	1	

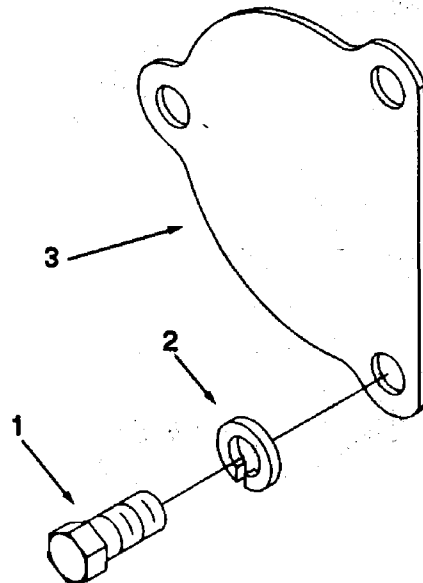


rb600ga

Ref No.	Part Number	Part Name	Req	Remarks
<b>REAR ENGINE SUPPORT OPTION RE6002</b>				
1	3003440	Support, Flywheel Housing	2	Pedestal type rear engine supports mounted below SAE no. '0' flywheel housing. Normally supplied mounted. May be supplied in the kit.
2	S-123	Screw, Hexagon Head Cap	8	
3	S-611	Washer, Lock	12	
4	205584	Screw, Twelve Point Cap	4	

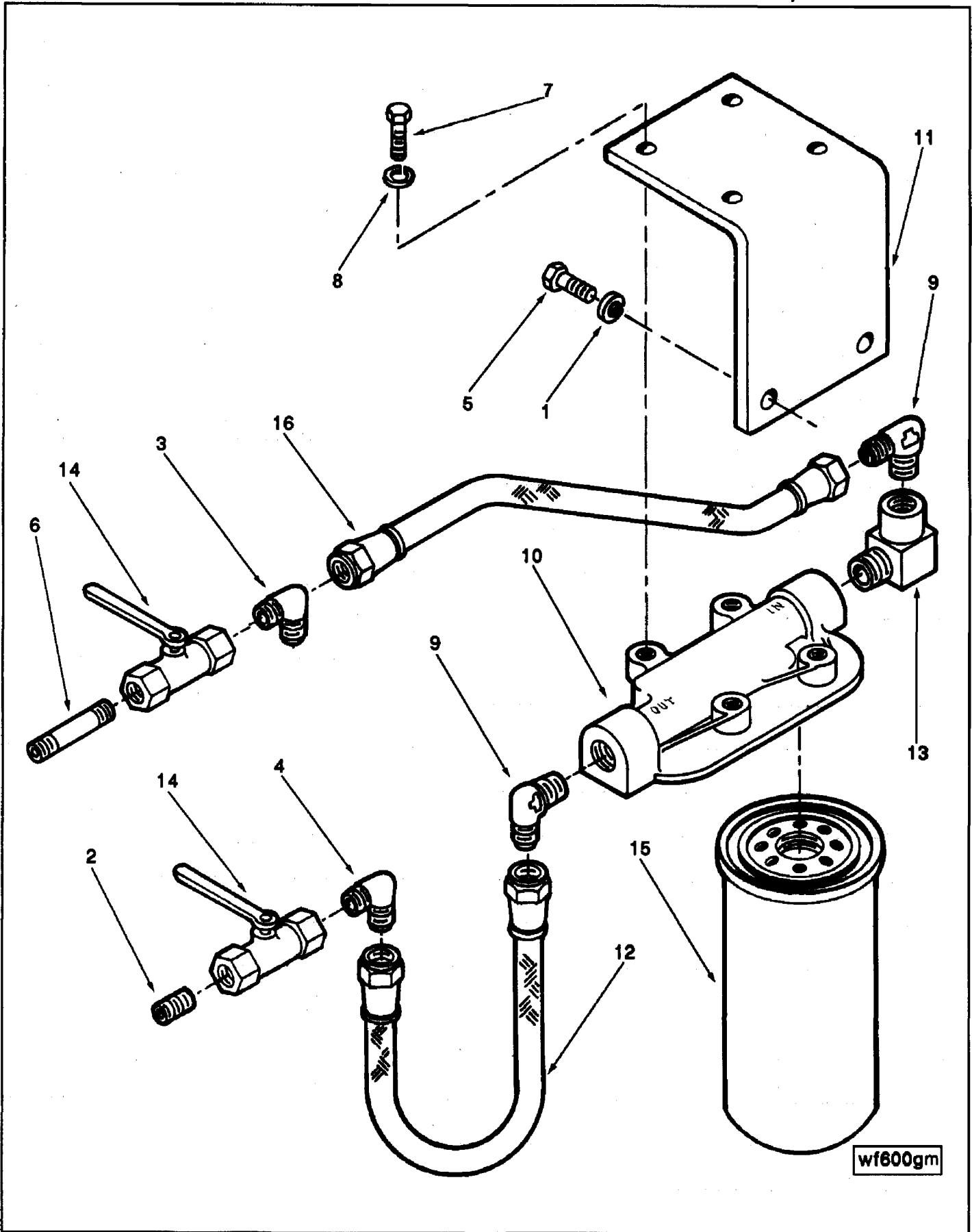


Ref No.	Part Number	Part Name	Req	Remarks
		<b>STARTER OPTION ST6026</b>		24volt Butec electrical starters mounted in pairs on right bank side of engine. For use with SAE no. '0' and '00' flywheel housings.
1	3629529	Motor, Starting	2	
2	3018924	Wire, Ground	2	
3	S-603	Washer, Lock	6	5/8 inch
4	158250	Screw, Twelve Point Cap	6	5/8 - 11 X 1 3/4 inch

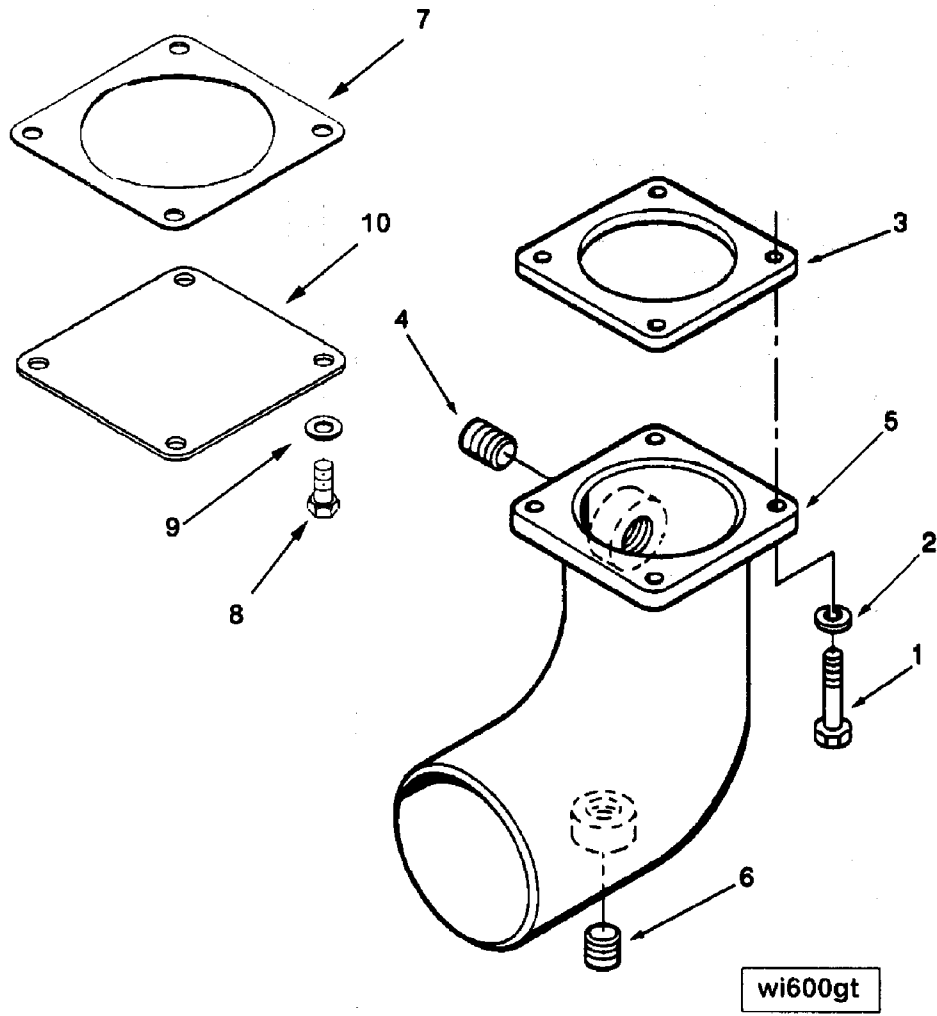


st401gb

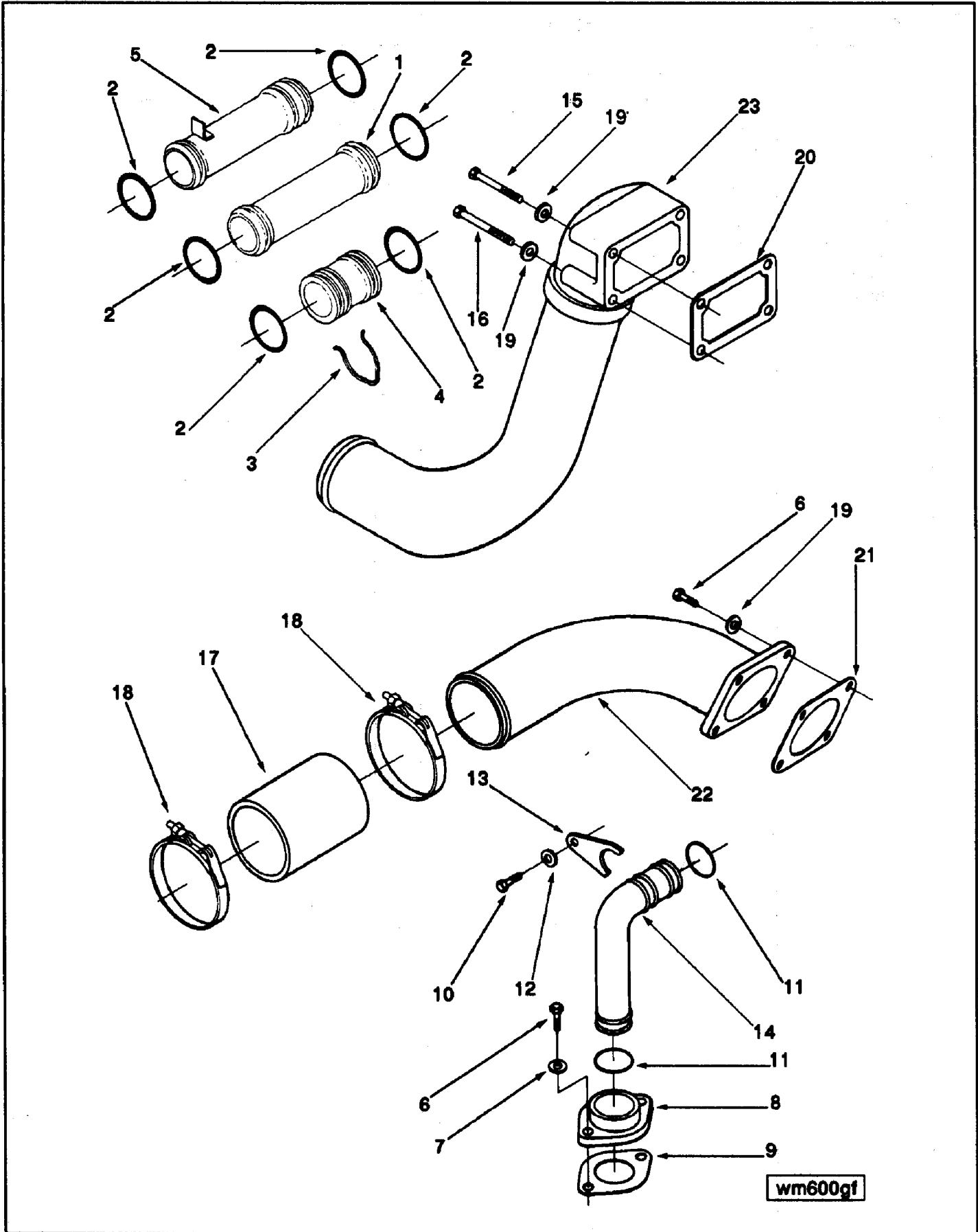
Ref No.	Part Number	Part Name	Req	Remarks
<b>STARTER MOUNTING OPTION ST6705</b>				
1	S-181	Screw, Hexagon Head Cap	3	Starter hole cover for use with dry flywheel housing and electric starters.
2	S-603	Washer, Lock	3	
3	3628411	Cover Starter Flange	1	



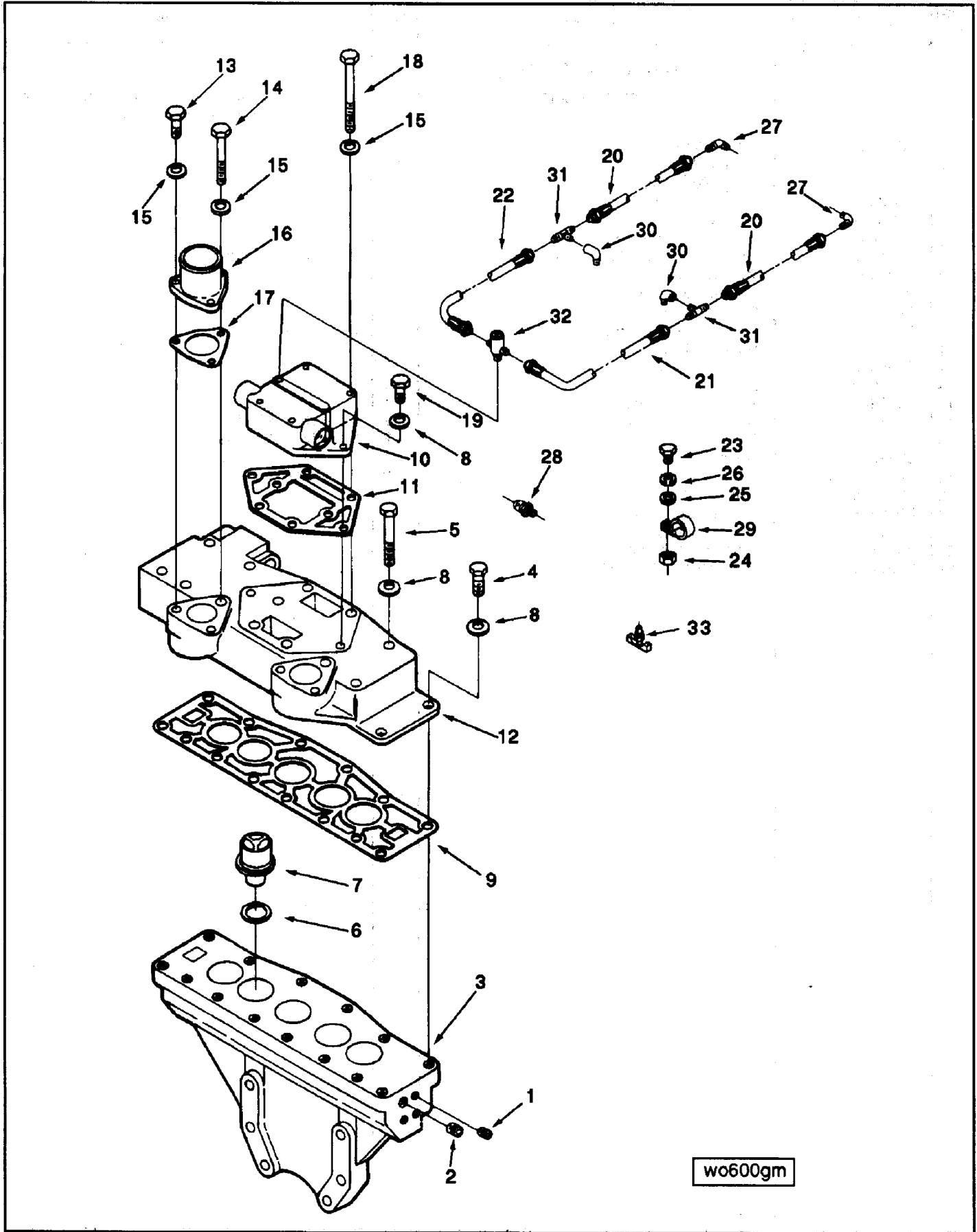
Ref No.	Part Number	Part Name	Req	Remarks
		<b>CORROSION RESISTOR OPTION WF6012</b>		DC4 corrosion resistor with dual replaceable spin-on cartridges mounted on the pain rail, right bank side of the engine. Includes resistor cartridges 7.5 inches in length. Includes three 20 unit containers of DC4 inhibitor supplied in the kit. Sized for cooling systems between 339 quart and 636 quart capacity for radiator or remote cooling systems. For use on KTA/KTTA50 engines.
1	S-610	Washer, Lock	2	7/16
2	S-946	Nipple, Plain Pipe	1	1/4 NPTF, both ends 7/8 long.
3	3629494	Elbow, Male Adapter	1	
4	S-1040-A	Elbow, Male Adapter	1	
5	103009	Screw, Hexagon Head Cap	2	7/16 - 14 X 1 1/4 inch
6	109660	Nipple, Plain Pipe	1	
7	S-103-D	Screw, Hexagon Head Cap	4	3/8 - 16 x 1 1/4 inch
8	S-604	Washer, Lock	4	3/8 inch
9	3629496	Elbow, Male Adapter	2	
10	215617	Head, Corrosion Resistor	1	
11	3177591	Bracket, Crn Resistor	1	
12	AS6009SS	Hose, Flexible	1	
13	3178838	Elbow, Plain Street Pipe	1	
14	3178837	Valve, Shutoff	2	
15	3318319	Resistor, Corrosion	2	
16	AS6018SS	Hose, Flexible	1	



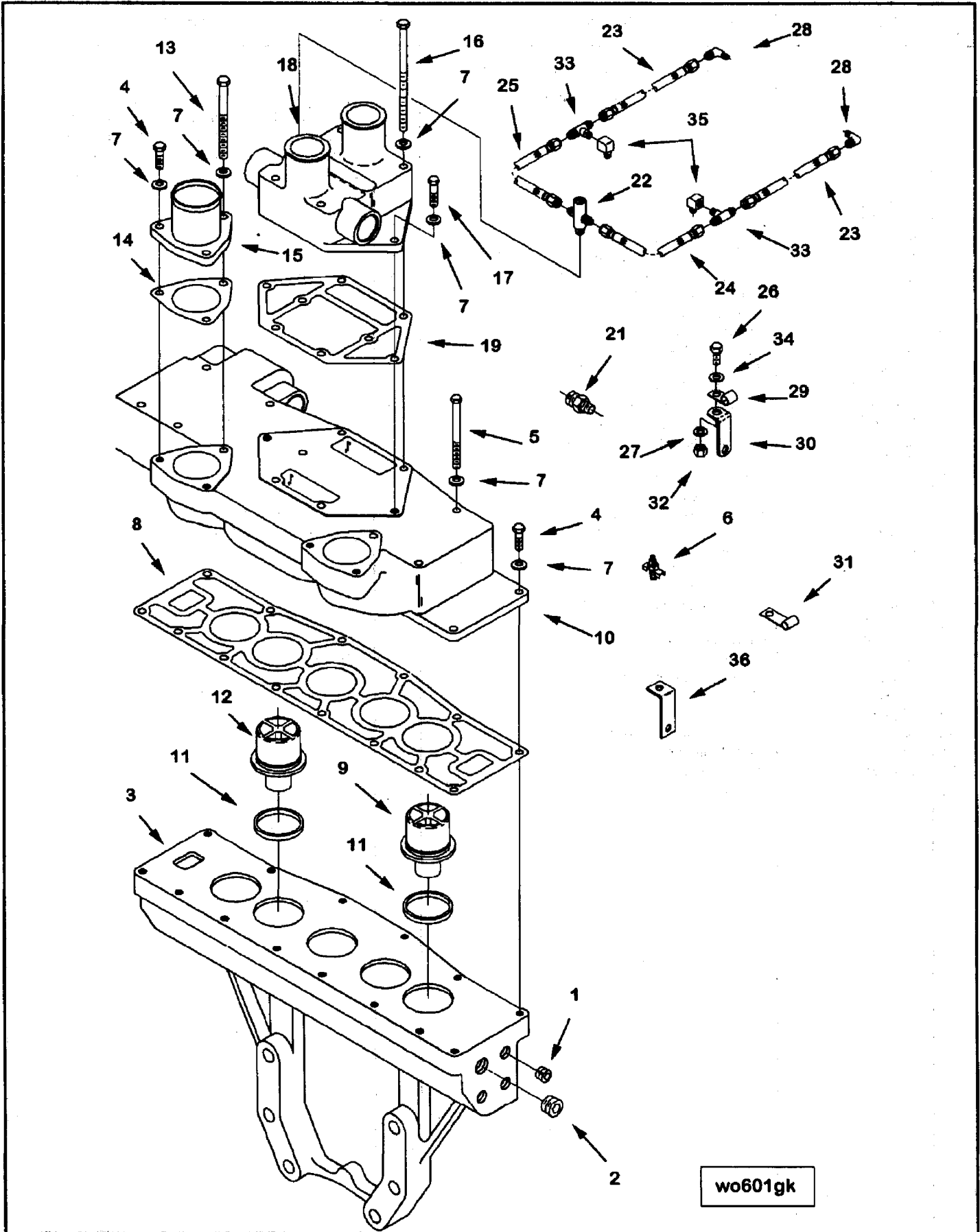
Ref No.	Part Number	Part Name	Req	Remarks
<b>WATER INLET CONNECTION</b>				
<b>OPTION WI6002</b>				
				90 degrees water inlet connection.
1	S-103-D	Screw, Hexagon Head Cap	4	3/8 - 16 X 1 1/4 inch
2	S-604	Washer, Lock	4	3/8 inch
3	3179035	Gasket, Wtr Trf Connection	1	
4	S-907-A	Plug, Pipe	1	1 1/4 NPT
5	207538	Connection, Water Inlet	1	
6	3628607	Plug, Pipe	1	
7	3179035	Gasket, Wtr Trf Connection	1	
8	S-109	Screw, Hexagon Head Cap	4	3/8 - 16 x 7/8 inch
9	3628902	Washer, Plain	4	
10	3629861	Cover, Water Transfer	1	



Ref No.	Part Number	Part Name	Req	Remarks
		<b>WATER TRANSFER TUBES</b>		
		<b>OPTION WM6016</b>		
				Water transfer tubes for use with dry exhaust manifolds. For KTTA50-C (2000).
1	206709	Tube, Water Transfer	14	
2	3028291	Seal, O Ring	28	
3	205976	Ring, Retaining	1	
4	3002956	Tube, Wtr Transfer Lb	1	
2	3028291	Seal, O Ring	4	
5	3040710	Tube, Water Transfer	1	
6	S-103-D	Screw, Hexagon Head Cap	6	3/8 - 16 X 1 1/4 inch
7	3036460	Washer, Spring	2	
8	3054518	Connection, Water Transfer	1	
9	3175517	Gasket, Flange	1	
10	S-109	Screw, Hexagon Head Cap	1	3/8 - 16 X 7/8 inch
11	3175545	Seal, O Ring	2	
12	3036460	Washer, Spring	1	
13	3054519	Brace, Tube	1	
14	3628967	Tube, Water Transfer	1	
15	S-102-D	Screw, Hexagon Head Cap	2	5/8 - 16 X 3 inch
16	S-105	Screw, Hexagon Head Cap	2	3/8 - 16 X 3 1/2 inch
17	60985	Hose, Plain	1	
18	140315	Clamp, T Bolt	2	3 7/8 inch
19	3036460	Washer, Spring	8	
20	3049368	Gasket, Connection	1	
21	3050944	Gasket, Flange	1	
22	3055710	Tube, Water Bypass	1	
23	3055712	Connection, Water Bypass	1	

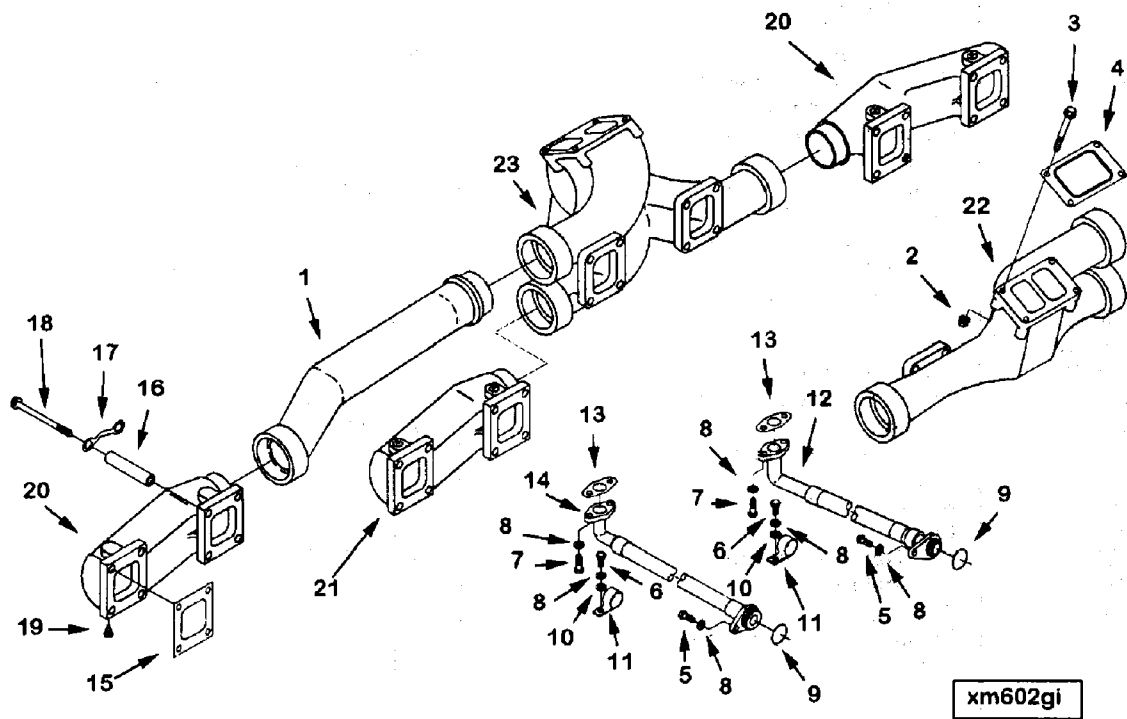


Ref No.	Part Number	Part Name	Req	Remarks
		<b>WATER OUTLET CONNECTION OPTION WO6024</b>		Thermostat support and housing assembly with dual 3inch water outlet connections pointed up. For connection by hoses only. LTA type housing, but with LTA connections cast closed.
1	3628606	Plug, Pipe	5	1/2 inch
2	3628607	Plug, Pipe	2	3/4 inch
3	3628968	Support, Thm Housing	1	
4	S-103-D	Screw, Hexagon Head Cap	4	3/8 - 16 x 1 1/4 inch
5	S-197	Screw, Hexagon Head Cap	6	3/8 - 16 x 4 3/4 inch
6	3627961	Seal, Thermostat	4	
7	3046191	Thermostat	4	
8	3036460	Washer, Spring	2	
9	3052906	Gasket, Thermostat Housing	1	
10	3629196	Connection, Water Transfer	1	
11	3052908	Gasket, Wtr Trf Connection	1	
12	3060889	Housing, Thermostat	1	
13	S-103-D	Screw, Hexagon Head Cap	2	3/8 - 16 x 1 1/4 inch
14	S-106-C	Screw, Hexagon Head Cap	2	3/8 - 16 x 4 3/4 inch
15	3036460	Washer, Spring	12	
16	3049363	Connection, Water Outlet	2	
17	3049364	Gasket, Connection	2	
18	S-141-C	Screw, Hexagon Head Cap	4	3/8 - 16 X 6 3/4 inch
19	108707	Screw, Hexagon Head Cap	2	3/8 - 16 x 1 1/2 inch
20	AS0401600SS	Hose, Flexible	2	
21	AS0405700SS	Hose, Flexible	1	
22	AS0406000SS	Hose, Flexible	1	
23	S-109	Screw, Hexagon Head Cap	2	3/8 - 16 x 7/8 inch
24	3201128	Nut, Regular, Hexagon	2	
25	3628902	Washer, Plain	8	
26	S-604	Washer, Lock	6	3/8 inch
27	68139	Elbow, Male Adapter	2	
28	69461	Connector, Male	1	
29	108722	Clip	12	
30	3629097	Elbow, Plain Street Pip	2	
31	3627784	Tee, Male Adapter	2	
32	3626660	Cross, Male Union	1	
33	S-962-E	Draincock	1	

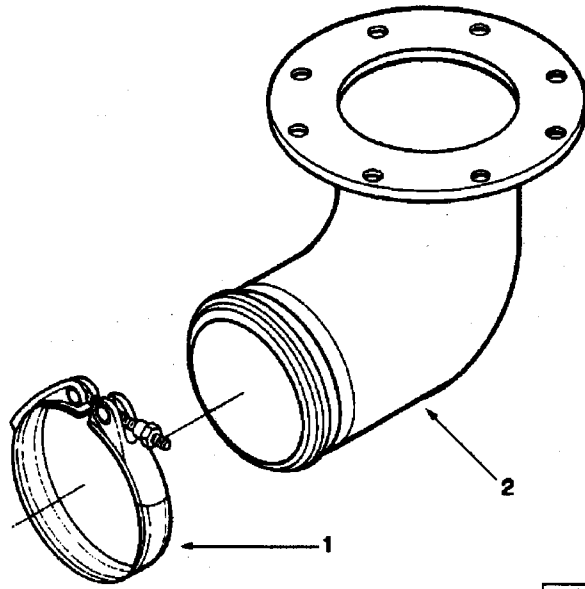


wo601gk

Ref No.	Part Number	Part Name	Req	Remarks
		<b>WATER OUTLET CONNECTION OPTION WO6051</b>		Thermostat support and housing assembly with dual 3 inch water outlet connections pointed up, and low  Temperature aftercooler water connections. For connection by hoses only. For KTA50-G8/G9.
1	3628606	Plug, Pipe	5	
2	3628607	Plug, Pipe	2	
3	3628968	Support, Thm Housing	1	
4	S-103-D	Screw, Hexagon Head Cap	6	3/8 - 16 X 1 1/4 Inch.
5	S-197	Screw, Hexagon Head Cap	6	3/8 - 16 X 4 1/4 Inch.
6	S-962-E	Draincock	1	
7	3036460	Washer, Spring	20	
8	3052906	Gasket, Thermostat Housing	1	
9	3055663	Thermostat	1	
10	3060889	Housing, Thermostat	1	
11	3627961	Seal, Thermostat	5	
12	3629205	Thermostat	4	
13	S-106-C	Screw, Hexagon Head Cap	2	3/8 - 16 X 4 3/4 Inch.
14	3049364	Gasket, Connection	2	
15	3630248	Connection, Water Outlet	2	
16	S-141-C	Screw, Hexagon Head Cap	4	3/8 - 16 X 6 3/4 Inch.
17	108707	Screw, Hexagon Head Cap	2	3/8 - 16 X 1 1/2 Inch.
18	3052907	Connection, Water Transfer	1	
19	3052908	Gasket, Wtr Trf Connection	1	
21	69461	Connector, Male	1	
22	3626660	Cross, Male Union	1	
23	AS 4016SS	Hose, Flexible	2	
24	AK 4057 SS	Hose, Flexible	1	
25	AS 4060 SS	Hose, Flexible	1	
26	S-109	Screw, Hexagon Head Cap	2	3/8 - 16 X 7/8 Inch.
27	S-604	Washer, Lock	2	3/8 Inch.
28	68139	Elbow, Male Adapter	1	
29	108722	Clip	2	
30	109895	Bracket, Oil Gauge Tube	1	
31	3175058	Clip	2	
32	3201128	Nut, Regular Hexagon	1	3/8 - 16 UNC.
33	3627784	Tee, Male Adapter	1	
34	3628902	Washer, Plain	6	
35	3629097	Elbow, Plain Street Pipe	2	
36	3629729	Bracket, Water Tube	1	



Ref No.	Part Number	Part Name	Req	Remarks
		<b>EXHAUST MANIFOLD OPTION XM6021</b>		Dry pulse exhaust manifolds for use with STC and outboard aftercooling only. Manifolds mounted to provide for turbochargers to be mounted with exhaust outlets to the front of the engine. Use 3630242 exhaust manifold center section and 3177662 air crossover on the left bank.
1	3043032	Pipe, Exhaust Outlet	2	
2	3626804	Nut, Lock	8	
3	3627095	Screw, Hexagon Head Cap	8	3/8 - 24 x 3 inch
4	3630452	Gasket, Turbocharger	2	
5	S-109	Screw, Hexagon Head Cap	1	3/8 - 16 X 7/8 inch
6	S-117	Screw, Hexagon Head Cap	2	3/8 - 16 X 3/4 inch
7	S-172-B	Screw, Hexagon Head Cap	4	3/8 - 16 X 1 1/8 inch
8	S-604	Washer, Lock	5	3/8 inch
9	216187	Seal, O Ring	2	
10	3628902	Washer, Plain	3	
11	3629451	Clip	1	
12	3630597	Hose, Flexible	1	
13	3630742	Gasket, Connection	2	
14	3630600	Hose, Flexible	1	
15	3037821	Gasket, Exhaust Manifold	16	
16	3046287	Spacer, Mounting	64	
17	3628969	Lockplate	32	
18	3631163	Screw, Hexagon Flange Head	64	
19	3630164	Plug, Threaded	16	
20	3630172	Manifold, Exhaust	4	
21	3630173	Manifold, Exhaust	2	
22	3630241	Manifold, Exhaust	1	
23	3630242	Manifold, Exhaust	1	



Ref No.	Part Number	Part Name	Req	Remarks
		<b>EXHAUST ELBOW OPTION XS6015</b>		
1	3626944	Clamp, V Band	2	Two 90 degree turbo charger exhaust elbows with 6 Inch (125MM) O. D. exhaust outlets.
2	3178314	Connection, Exhaust Outlet	2	

Group No. 17.01,  
17.01.1

**Gasket Sets**

Ref No.	Part Number	Part Name	Req	Remarks
		<b>GASKET SETS</b>		
	3804300	Set, Lower Engine Gasket	1	
	S-1003-A	Seal, Grommet	4	
	43696-A	Seal, O Ring	2	
	67946	Washer, Plain	4	
	68908	Lockplate	14	
	70415	Seal, O Ring	2	
	108172	Seal, O Ring	1	
	145507	Seal, O Ring	2	
	145528	Seal, O Ring	2	
	145529	Seal, O Ring	1	
	145530	Seal, O Ring	1	
	145550	Seal, O Ring	2	
	145581	Seal, O Ring	2	
	145586	Seal, O Ring	1	
	145600	Seal, O Ring	1	
	145613	Seal, O Ring	1	
	151355	Lockplate	1	
	205571	Gasket, Oil Slinger	1	
	206021	Gasket, Lub Oil Cvr Cover	8	
	206193	Gasket, Water Pump	1	
	206407	Gasket, Hand Hole	1	
	206416	Gasket, Support	1	
	206421	Gasket, Gear Housing	1	
	206455	Gasket, Water Pump	1	
	206457	Seal, O Ring	1	
	207551	Seal, O Ring	1	
	212161	Seal, O Ring	16	
	3000632	Gasket, Connection	1	
	3005939	Gasket, Cover Plate	1	
	3005940	Gasket, Gear Housing	1	
	3007441	Seal, O Ring	16	
	3007512	Seal, O Ring	1	
	3008921	Gasket, Prs Rlf Valve Bo	1	
	3009323	Gasket, Water Header Cover	1	
	3009324	Gasket, Water Header Cover	1	
	3629387	Gasket, Filter Head	1	
	3011651	Gasket, Cover Plate	1	
	3014449	Gasket, Flange	1	
	3016788	Seal, Oil	2	
	3016792	Seal, Oil	1	
	3016793	Seal, Oil	1	
	3026391	Seal, Rectangular Ring	1	
	3026392	Seal, Rectangular Ring	2	
	3629141	Gasket, Lub Oil Fil Cover	1	
	3031544	Seal, Rectangular Ring	1	
	3040721	Gasket, Cam Fol Housing	16	
	3040722	Gasket, Camshaft Cover	2	
	3043211	Gasket, Oil Pan	4	
	3043213	Gasket, Oil Pan	1	
	3046852	Gasket, Acc Drive Support	1	
	3069102	Gasket, Air Compressor	1	
	3069103	Gasket, Fuel Pump	1	
	3175032	Gasket, Crankcase Breather	2	
	3175856	Gasket, Hand Hole	8	
	3177108	Gasket, Filter Head	2	
	3177160	Gasket, Gear Cover	1	
	3178076	Gasket, Gear Housing	1	
	3179035	Gasket, Wtr Trf Connection	1	
	3200287	Seal, Keyway	2	
	3201125	Seal, O Ring	2	
	3818885	Seal, O Ring	4	
	3913994	Seal, O Ring	1	

Group No. 17.01,  
17.01.1

### Gasket Sets

Ref No.	Part Number	Part Name	Req	Remarks
	3804299	Set, Upper Engine Gasket	1	
	131026	Seal, O-Ring	10	
	201048	Gasket, Connection	4	
	201049	Gasket, Connection	2	
	206277	Gasket, Intake Manifold	16	
	206443	Gasket, Thermostat Housing	2	
	206460	Gasket, Thermo Hsg Cover	1	
	206576	Gasket, Turbocharger	2	
	207515	Gasket, Connection	1	
	216187	Seal, O-Ring	2	
	3001340	Seal, O-Ring	32	
	3003016	Seal, O-Ring	10	
	3008710	Seal, Rectangular Ring	8	
	3011580	Gasket, Aftercooler Cover	4	
	3014304	Seal, Rectangular Ring	32	
	3014449	Gasket, Flange	4	
	3023066	Seal, O-Ring	4	
	3088371	Seal, Dust	2	
	3023130	Seal, Dust	4	
	3026421	Seal, O Ring	8	
	3028291	Seal, O-Ring	32	
	3037821	Gasket, Exhaust Manifold	16	
	3629140	Gasket, Rocker Lever Cover	16	
	3627961	Seal, Thermostat	4	
	3628330	Gasket, Rkr Lever Hsg	16	
	3175517	Gasket, Flange	1	
	3175545	Seal, O-Ring	6	
	3175705	Seal, Ferrule	24	
	3628407	Gasket, Cylinder Head	16	
	(3628503)	Gasket, Cylinder Head	1	
	205852	Seal, Grommet	1	
	205855	Seal, Grommet	3	
	205858	Seal, Grommet	1	
	207448	Seal, Grommet	4	
	3179026	Gasket, Connection	4	
	3179027	Gasket, Connection	8	
	3818885	Seal, O-Ring	2	
	3084539	Seal, O-Ring	32	

Group No. 17.02,  
17.01.1

**Gasket Sets**

Ref No.	Part Number	Part Name	Req	Remarks
	3804297	Set, Single Head Gsk.	1	
	100478	Seal, O Ring	12	
	131026	Seal, O Ring	12	
	205852	Seal, Grommet	1	
	205855	Seal, Grommet	3	
	206277	Gasket, Intake Manifold	6	
	206279	Gasket, Connection	1	
	206446	Gasket, Wtr Trf Connection	1	
	206576	Gasket, Turbocharger	1	
	207038	Seal, O Ring	1	
	207244	Seal, Injector	1	
	207448	Seal, Grommet	4	
	3001340	Seal, O Ring	12	
	3023066	Seal, O Ring	4	
	3026421	Seal, O Ring	2	
	3028291	Seal, O Ring	5	
	3629140	Gasket, Rocker Lever Cover	1	
	3040721	Gasket, Cam Fol Housing	1	
	3037821	Gasket, Exhaust Manifold	6	
	3628330	Gasket, Rkr Lever Housing	1	
	3628407	Gasket, Cylinder Head	1	
	3628503	Gasket, Cylinder Head	1	
	205852	Seal, Grommet	1	
	205855	Seal, Grommet	1	
	205858	Seal, Grommet	1	
	207448	Seal, Grommet	4	
	3179027	Gasket, Connection	3	
	3818885	Seal, O Ring	2	
	3801897	Set, Uprate Upper	1	
	131026	Seal, O Ring	16	
	201048	Gasket, Connection	2	
	3001340	Seal, O Ring	20	
	3023095	Washer, Sealing	32	
	3023129	Seal, Dust	2	
	3026420	Seal, Dust	2	
	3026421	Seal, O Ring	4	
	3029506	Gasket, Oil Drain	2	
	3029625	Seal, O Ring	2	
	3029626	Seal, O Ring	2	
	3029627	Seal, Dust	2	
	3029640	Seal, O Ring	2	
	3035223	Gasket, Connection	4	
	3177942	Gasket, Turbocharger	2	

Repair Kits

Ref No.	Part Number	Part Name	Req	Remarks
	3803257	Turbo Repair Kit	1	
	3804300	Set, Lower Engine Gasket	1	
	3804299	Set, Upper Engine Gasket	1	
	3804297	Set, Single Head Gsk.	1	
	3804885	Kit, Engine Piston	16	
	3631241	Kit, Engine Piston	16	
	3631248	Set, Piston Ring	16	
	3007525	Cylinder Liner Kit	16	Standard
	3012611	Cylinder Liner Kit	A/R	.010 Inch Oversize
	3012612	Cylinder Liner Kit	A/R	.020 Inch Oversize
	3801268	Cylinder Liner Kit	A/R	.030 Inch Oversize
	3018210	Bearing,Main Set	1	Standard
	3018211	Bearing,Main Set	A/R	.010 Inch Undersize
	3018212	Bearing,Main Set	A/R	.020 Inch Undersize
	3018213	Bearing,Main Set	A/R	.030 Inch Undersize
	3018214	Bearing,Main Set	A/R	.040 Inch Undersize
	3047390	Bearing,Connecting Rod	32	Standard
	3047391	Bearing,Connecting Rod	A/R	.010 Inch Undersize
	3047392	Bearing,Connecting Rod	A/R	.020 Inch Undersize
	3047393	Bearing,Connecting Rod	A/R	.030 Inch Undersize
	3047394	Bearing,Connecting Rod	A/R	.040 Inch Undersize

## Option Index

Option No.	Description	Page No.
BP6089	Cam Follower & Cover	13
	Cylinder Block	3, 5
	Engine Barring Drive	21
	Injector Mounting	14
	Lubricating Oil Cooler	15
	Lubricating Oil Pump	17
	Main Bearing Shell	7
	Rear Camshaft Cover	8
	Rocker Lever & Cover	11
	Shipping Bracket	22
	Turbo Oil Supply Hose	20
BP6103	Water Pump	19
	Cam Follower & Cover	13
	Cylinder Block	3, 5
	Engine Barring Drive	21
	Injector Mounting	14
	Lubricating Oil Cooler	15
	Lubricating Oil Pump	17
	Main Bearing Shell	7
	Rear Camshaft Cover	8
	Rocker Lever & Cover	11
	Shipping Bracket	22
BP6724	Turbo Oil Supply Hose	20
	Water Pump	19
BP6728	Fuel Manifold	25
BP6739	Crankshaft	26
CA8016	Fuel Manifold	29
DA6070	Restriction Indicator	30
EC8276	Vibration Damper	33
EC8356	Coolant Temperature Switch	34
EE6021	Oil Pressure Switch	35
EE6038	Alternator Mounting	37
EM6001	Alternator	38
ES6004	Front Engine Support	39
FA6028	Magnetic Switch	41
FA6132	Fan Drive Arrangement	43
	Fan Drive Arrangement	45
	Fan Drive Arrangement	47
FA6702	Gear Cover Mounting	48
FA6703	Gear Cover Mounting	49
FA6719	Gear Cover Mounting	51
FF6042	Fuel Filter	53
FF6044	Fuel Filter	55
FF6736	Fuel Filter Plumbing	56
FH6024	Flywheel Housing	59
FH8715	Magnetic Pickup	60
FP6155	Cummins EFC Governor	61, 63
	Fuel Pump Support	65
	Cummins EFC Governor	63
FP6204	Cummins Electronic Fuel Control Governor	66
	Fuel Pump Support	65
	Actuator, Etr Fuel Control	75
FP6771	Cover, Fuel Pump Front	73
	Damper, Fuel Pump & MTG.	74
	Fuel Pump	67

Option No.	Description	Page No.
	Housing, Fuel Pump	69, 71
	Pump, Gear Fuel	76
FS6013	Fuel Block	79
FT60072	Fuel Tubing	81
FV8103	Fuel Valve	83
FW6009	Flywheel	84
FW6011	Flywheel	87
HD6011	Accessory Drive Covers	88
IM6021	Intake Manifold	91
IM6705	Intake Manifold	93
LF6026	Lubricating Oil Filter	95
LF6705	Oil Transfer Connection	96
OB6164	Fill & Breather	99
OB6722	Breather Mounting	100
OF6009	Bypass Oil Filter	103
OF8005	Bypass Oil Filter	104
OP6024	Oil Pan	107
OP6027	Oil Pan	109
OP6710	Lub Oil Pump Tubing	111
PP2227	Aftercooler Core	132
	Camshaft & Gear - Left	117
	Camshaft & Gear - Right	117
	Connection, Oil Transfer	127
	Cylinder Head	115
	Cylinder Head Mounting	113
	Injector	119
	Plumbing, Aftercooler	135
	Rocker Housing	116
	STC Oil Manifold	121, 123
	STC Valve	125
	STC Valve Mounting	126
	Tappet	120
	Turbocharger	131
	Water Header	128
PP2354	Aftercooler Core	162
	Camshaft & Gear - Left	143
	Camshaft & Gear - Right	143
	Conn, LB Oil Control	155
	Conn, RB Oil Control	157
	Connecting Rod	137
	Connection, Oil Supply	153
	Cylinder Head	141
	Cylinder Head Mounting	139
	Injector	145
	Plumbing, Aftercooler	165
	Rocker Housing	142
	STC Oil Manifold	147
	STC Valve	149
	STC Valve Mounting	150
	Tappet	146
	Turbocharger	161
	Water Header	158
PP2355	Aftercooler Core	162
	Camshaft & Gear - Left	143
	Camshaft & Gear - Right	143
	Conn, LB Oil Control	155

Option No.	Description	Page No.
	Conn,RB Oil Control	157
	Connecting Rod	137
	Connection, Oil Supply	153
	Cylinder Head	141
	Cylinder Head Mounting	139
	Injector	167
	Plumbing, Aftercooler	165
	Rocker Housing	142
	STC Oil Manifold	147
	STC Valve	149
	STC Valve Mounting	150
	Tappet	168
	Turbocharger	171
	Water Header	158
PP6732	Connecting Rod	173
PU6003	Accessory Drive Pulley	175
RE6002	Rear Engine Support	176
ST6026	Starter	177
ST6705	Starter Mounting	178
WF6012	Corrosion Resistor	181
WI6002	Water Inlet Connection	183
WM6016	Water Transfer Tubes	185
WO6024	Water Outlet Connection	187
WO6051	Water Outlet Connection	189
XM6021	Exhaust Manifold	191
XS6015	Exhaust Elbow	192

## INDEX

Part No.	Description	Page No.	Part No.	Description	Page No.
AK6012SS	Hose, Flexible	93	S-212	Nut, Regular Hexagon	11
AK 4057 SS	Hose, Flexible	189	S-217	Nut, Heavy Hexagon	43, 48
AR10626	Shaft, Cam Follower	13	S-224	Nut, Heavy Hexagon	41
AR12112	Damper, Fuel Pump & Mtg.	67, 74	S-249	Nut, Regular Hexagon Jam	43, 45
AS0601800SS	Hose, Flexible	103	S-251	Nut, Regular Hexagon Jam	123
AS0601500SS	Hose, Flexible	103	S-270	Nut, Regular Hexagon	69
AS0406000SS	Hose, Flexible	187	S-302	Key, Offset Woodruff	117, 143
AS0405700SS	Hose, Flexible	187	S-306	Key, Plain Woodruff	21
AS0401600SS	Hose, Flexible	187	S-316	Key, Plain Woodruff	65
AS4016SL	Hose, Flexible	155, 157	S-600	Washer, Lock	41, 59
AS4057SS	Hose, Flexible	157	S-602	Washer, Plain	8, 11
AS6009SS	Hose, Flexible	181	S-603	Washer, Lock	21, 45, 177, 178
AS6018SS	Hose, Flexible	181			
AS405440SL	Hose, Flexible	155	S-604	Washer, Lock	5, 8, 11, 13, 19, 43, 45, 79, 95, 96, 111, 126, 150, 181, 183, 187, 189, 191
AS405640SL	Hose, Flexible	155			
AS 4014 40SS	Hose, Flexible	81			
AS 4016SS	Hose, Flexible	189			
AS 4060 SS	Hose, Flexible	189			
BM76340	Assembly, Fuel Pump Damper	74	S-605	Washer, Lock	43, 45, 126, 150
S-102-D	Screw, Hexagon Head Cap	185	S-606	Washer, Lock	73
S-103-D	Screw, Hexagon Head Cap	13, 17, 95, 111, 181, 183, 185, 187, 189	S-608	Washer, Lock	33
S-104	Screw, Hexagon Head Cap	132, 135, 162, 165	S-610	Washer, Lock	3, 19, 43, 45, 47, 48, 49, 51, 53, 55, 59, 63, 65, 103, 127, 181
S-105	Screw, Hexagon Head Cap	100, 135, 165, 185	S-611	Washer, Lock	22, 43, 47, 59, 176
S-106-C	Capscrew	91, 187, 189			
S-109	Screw, Hexagon Head Cap	99, 183, 185, 187, 189, 191	S-622	Washer, Plain	43, 47, 127
S-112	Screw, Hexagon Head Cap	5, 8, 99, 111, 117, 143	S-626	Washer, Plain	126, 150
S-113	Capscrew	17	S-631	Washer, Plain	41
S-116	Screw, Hexagon Head Cap	21	S-640	Washer, Plain	43, 45
S-117	Capscrew	17, 191	S-907-A	Plug, Pipe	19, 183
S-118	Screw, Hexagon Head Cap	127	S-910-B	Plug, Pipe	95
S-120	Capscrew	91	S-915-A	Plug, Pipe	115, 141
S-121-B	Screw, Hexagon Head Cap	43, 47, 111	S-946	Nipple, Plain	93, 181
S-123	Screw, Hexagon Head Cap	176	S-955	Bushing, Reducing Pipe	3
S-125	Screw, Hexagon Head Cap	11	S-1003-A	Seal, Grommet	193
S-126	Screw, Hexagon Head Cap	13	S-1039-A	Connector, Male	93
S-127	Screw, Hexagon Head Cap	48, 49	S-1040-A	Elbow, Male Adapter	93, 181
S-140	Screw, Hexagon Head Cap	107, 109	S-1047-A	Elbow, Male Adapter	81
S-141-C	Screw, Hexagon Head Cap	187, 189	S-1315	Screw, Pan Head Cap	123
S-145	Screw, Hexagon Head Cap	88	S-2268	Fitting, Grease	39, 43, 45
S-149-A	Screw, Hexagon Head Cap	126, 150	S-2286	Screw, Drive	69, 125, 149
S-150-A	Screw, Hexagon Head Cap	59	S-16052	Bearing, Ball	73
S-152-A	Screw, Hexagon Head Cap	22	S-16054	Bearing, Ball	19
S-153	Screw, Hexagon Head Cap	43, 45	S-16069	Bearing, Ball	19
S-162-A	Screw, Hexagon Head Cap	19, 43, 47, 65, 88	S-16240	Ring, Retaining	71, 125, 149
S-164	Screw, Hexagon Head Cap	150	5587	Gear, Flywheel Ring	87
S-166-B	Capscrew	91	43696-A	Seal, O Ring	103, 104, 193
S-167-A	Screw, Hexagon Head Cap	59	43828-C	Clamp	99
S-167-B	Screw, Hexagon Head Cap	37	44678	Cover, Spring Pack	71
S-169	Screw, Hexagon Head Cap	33	60985	Hose, Plain	185
S-169-A	Screw, Hexagon Head Cap	25, 29	62279	Spacer, Mounting	91
S-170-A	Capscrew	91	63842	Washer, Plain	126, 150
S-172-B	Screw, Hexagon Head Cap	191	64709	Spacer, Mounting	100
S-174	Screw, Hexagon Head Cap	47	64816-A	Dowel, Pin	76
S-181	Screw, Hexagon Head Cap	178	66747	Spacer, Throttle Bracket	43
S-181C	Screw, Hexagon Head Cap	107	67184-B	Insert, Threaded	91
S-186	Screw, Hexagon Head Cap	5	67622	Plug, Pipe	115, 141
S-189-C	Screw, Socket Head	83	67684	Washer, Plain	83
S-195-B	Screw, Hexagon Head Cap	43	67946	Washer, Plain	107, 109, 193
S-197	Screw, Hexagon Head Cap	187, 189	68061-A	Seal, O Ring	71
			68138	Connector, Male	155
			68139	Elbow, Male Adapter	157, 187, 189
			68171	Pin, Roll	43, 45

## INDEX

Part No.	Description	Page No.	Part No.	Description	Page No.
68193	Plug, Pipe	19	110855	Gasket, Fuel Pump	76
68445	Pin, Groove	3, 115, 141	111445	Lockwasher	88
68908	Lockplate	17, 111, 117, 143, 193	118226	Capscrew, Socket Head	73
68910	Seal, O Ring	135, 165	118227	Dowel, Ring	69
69028	Capscrew	91	119364	Gear, Fuel Pumping	76
69204-D	Ring, Retaining	5	121229	Elbow, Male Adapter	93
69461	Connector, Male	187, 189	124507	Gear, Flywheel Ring	84
69465	Clip	155, 157	127018	Washer, Plain	25, 29, 121, 147
69519	Dowel, Pin	17	127316	Washer, Plain	111
69558	Dowel, Pin	137, 173	127362	Washer, Plain	13
69752	Dowel, Pin	59	127454	Washer, Plain	43, 45
69752-A	Dowel, Pin	59	127571	Washer, Plain	88
69752-B	Dowel, Pin	59	129510	Screw, Hexagon Head Cap	65
69752-C	Dowel, Pin	59	129768	Spring, Valve	83
69771	Screw, Socket Head Cap	47	129838	Knob	83
69911-A	Clip	155, 157	129839	Shield, Shutoff Valve	83
70183	Ring, Retaining	19	129888	Seal, Rectangular Ring	83
70295	Plug, Pipe	19, 79	130080	Bearing, Thrust	8
70415	Seal, O Ring	193	130081	Bearing, Thrust	8
70446	Screw, Hexagon Head Cap	125, 149	130082	Bearing, Thrust	8
70662	Dowel, Pin	3, 59	130083	Bearing, Thrust	8, 19
70690	Driver, Governor Plunger	69	131026	Seal, O Ring	14, 25, 29, 194, 195
70700	Spring, Compression	69, 83			
70704	Washer	73, 74, 75, 76, 125, 149	131584	Pin, Roll	33, 84, 87
70705	Gasket, Spring Pack Flange	71	135783	Washer, Lock	88
70713	Retainer, Spring	71	137761	Screw, Hexagon Head Cap	126
70715	Washer, Plain	71	137890	Screw, Hexagon Head Cap	48
70716	Screw, Knurled	71	138912	Dowel, Pin	51
70717	Shim, Governor	71	139473	Plug, O Ring	103, 104
70717-A	Shim, Governor	71	139988	Seal, Rectangular Ring	74
70717-B	Shim, Governor	71	139990	Washer, Plain	3
100099	Seal, Rectangular Ring	74	140315	Clamp, T Bolt	185
100129	Capscrew, Socket Head	76	141629	Plunger, Idle Spring	71
100193	Bushing, Tachometer Drive	69	143854	Spring, Compression	71
100217	Shaft, Fuel Pump Drive	76	144178	Plunger, Gov Wgt Assist	69
100478	Seal, O Ring	69, 195	144179	Shim	71
101841	Shim	71	145505	Seal, O Ring	75
101842	Shim	71	145507	Seal, O Ring	53, 55, 193
101843	Shim	71	145528	Seal, O Ring	193
102020	Screw, Hexagon Head Cap	48, 49	145529	Seal, O Ring	193
103009	Screw, Hexagon Head Cap	19, 43, 45, 51, 181	145530	Seal, O Ring	193
103023	Screw, Hexagon Head Cap	65, 88	145550	Seal, O Ring	193
103089	Washer, Plain	73	145581	Seal, O Ring	43, 45, 193
104857	Spacer, Throttle Bracket	47	145586	Seal, O Ring	47, 193
105375	Nameplate	125, 149	145600	Seal, O Ring	88, 193
106069	Screw, Hexagon Head Cap	3, 53, 55, 103, 107, 109	145613	Seal, O Ring	193
106549	Screw, Hexagon Head Cap	37	146483	Screen, Filter	69
107534	Nut, Lock	37	148582	Dowel, Pin	3
107695	Pin, Roll	111	149134	Lockplate	17
107948	Dowel, Pin	17	151355	Lockplate	111, 193
108172	Seal, O Ring	193	151900	Seal, Rectangular Ring	74
108330	Washer, Plain	19, 25, 29, 37	153336	Body, Fuel Pump Damper	74
108602	Screw, Hexagon Head Cap	11	153338	Cover, Fuel Pump Damper	74
108707	Screw, Hexagon Head Cap	19, 187, 189	153346	Capscrew, Socket Head	74
108722	Clip	123, 127, 187, 189	153581	Screw, Twelve Point Cap	45
108767	Screw, Hexagon Head Cap	48, 49, 107, 109	153581	Screw, Twelve Point Cap	177
109319	Lockplate	17	154087	Coupling, Fp Drive Half	65
109660	Nipple, Plain Pipe	181	154088	Washer, Plain	74
109895	Bracket, Oil Gauge Tube	189	157088	Bushing	73
109919	Screw, Socket Set	125, 149	158250	Ring, Retaining	69
110058	Nut, Fuel Pump Adjusting	69	158826	Ball, Check	119, 145, 167
110266	Screw, Hexagon Head Cap	48, 49	160514	Screw, Slotted Set	11
			163944	Clip	21
			163945		
			167157		
			168306		
			169834		

## INDEX

Part No.	Description	Page No.	Part No.	Description	Page No.
170664	Washer, Plain	65	206028	Screw, Socket Head Cap	3
173086	Gasket, Injector	119, 145, 167	206090	Ring, Retaining	21
174299	Retainer, Screen	119, 145, 167	206091	Gear, Engine Barring	21
175865	Shaft, Fuel Pump Drive	76	206092	Spring, Compression	21
178079	Valve, Check	123, 155, 157	206093	Housing, Engine Barring	21
178957	Indicator Air Restrict	30	206099	Cover, Oil Pan	107
181466	Washer, Lock	74, 76, 83, 123, 125, 149	206158	Cover, Hyd Pump Flange	88
185747	Seal, Oil	47	206193	Gasket, Water Pump	19, 193
185804	Screw, Hexagon Head Cap	43, 45	206195	Sleeve, Spline Coupling	19
186917	Clamp, V Band	91	206196	Wire, Snap	19
191772	Screw, Twelve Point Cap	79, 95, 96	206198	Seal, Oil	19
193736	Seal, O Ring	119, 145, 167	206224	Plug, Expansion	3, 115, 141
194037	Socket, Rocker Lever	11	206277	Gasket	91, 194, 195
195265	Plug, Pipe	25, 29, 69	206279	Gasket, Connection	195
196057	Disc, Valve	83	206326	Screw, Twelve Point Cap	37, 63
199919	Screw, Twelve Point Cap	19	206406	Flange	88
200845	Insert, Threaded	107, 109	206407	Gasket, Hand Hole	88, 193
201048	Gasket, Connection	131, 161, 171, 194, 195	206416	Gasket, Support	19, 193
201049	Gasket, Connection	131, 161, 171, 194	206421	Gasket, Gear Housing	193
202897	Diaphragm, Damper	74	206443	Gasket, Thermostat Housing	194
203426	Pin, Roll	119, 145, 167	206446	Gasket, Wtr Trf Connection	195
203760	Washer, Plain	37	206455	Gasket, Water Pump	19, 193
203933	Plug, Expansion	11, 115, 141	206457	Seal, O Ring	19, 193
204493	Isolator, Vibration	41	206460	Gasket, Thermo Hsg Cover	194
205059	Washer, Plain	3, 84, 87, 139	206505	Bearing, Roller	47
205068	Pin, Cam Follower Roller	13	206506	Nut, Lock	47
205071	Pin, Cam Follower Roller	13	206507	Pilot, Fan	47
205091	Collet, Valve	115, 141	206519	Spacer, Bearing	47
205093	Insert, Valve	115, 141	206520	Ring, Retaining	47
205094	Retainer, Valve Spring	115, 141	206526	Pointer, Timing	43, 45
205126	Washer, Plain	26, 137, 173	206527	Screw, Twelve Point Cap	43, 45
205128	Washer, Plain	11	206576	Gasket, Turbocharger	194, 195
205129	Dowel, Ring	116, 142	206580	Bearing, Main	7
205168	Washer, Plain	47	206581	Bearing, Main	7
205199	Screw, Twelve Point Cap	3	206582	Bearing, Main	7
205200	Pin, Piston	137, 173	206583	Bearing, Main	7
205227	Plug, Expansion	13	206584	Bearing, Main	7
205230	Bushing	3	206587	Cap, Main Bearing	3
205269	Ring, Retaining	137, 173	206588	Cap, Main Bearing	3
205375	Screw, Twelve Point Cap	43, 45	206590	Bearing, Main	7
205393	Screw, Twelve Point Cap	11	206591	Bearing, Main	7
205394	Screw, Twelve Point Cap	11	206592	Bearing, Main	7
205401	Plug, Expansion	115, 141	206593	Bearing, Main	7
205438	Lockwire, Cam Roller Pin	13	206594	Bearing, Main	7
205439	Ring, Retaining	13	206600	Bearing, Main	7
205544	Shaft	17	206601	Bearing, Main	7
205546	Cover	17	206602	Bearing, Main	7
205548	Bushing	17	206603	Bearing, Main	7
205565	Screw, Twelve Point Cap	59	206604	Bearing, Main	7
205571	Gasket, Oil Slinger	193	206610	Bearing, Main	7
205584	Screw, Twelve Point Cap	3, 176	206611	Bearing, Main	7
205659	Spring, Compression	95	206612	Bearing, Main	7
205683	Bushing	51	206613	Bearing, Main	7
205684	Bracket, Lifting	3	206614	Bearing, Main	7
205741	Shim	5	206646	Shaft, Fuel Pump Drive	65
205742	Shim	5	206664	Spacer, Hourmeter D Gea	65
205743	Shim	5	206709	Tube, Water Transfer	185
205744	Shim	5	206742	Plug, Expansion	3, 19
205745	Shim	5	206747	Gear, Camshaft	117, 143
205852	Seal, Grommet	113, 194, 195	206756	Gear	17
205855	Seal, Grommet	113, 194, 195	206904	Key, Woodruff	26
205858	Seal, Grommet	113, 194, 195	207038	Seal, O Ring	195
205976	Ring, Retaining	185	207226	Bushing	11
206021	Gasket, Lub Oil Clr Cover	193	207244	Seal, Injector	14, 195
			207248	Gear, Camshaft	117, 143
			207251	Gear, Water Pump	19
			207253	Gear, Accessory Drive	65

## INDEX

Part No.	Description	Page No.	Part No.	Description	Page No.
207344	Bushing	11	3004057	Nut, Lock	43, 45
207373	Cover, Camshaft	8	3004272	Lockplate	53
207448	Seal, Grommet	113, 194, 195	3004683	Gear, Idler	8
207509	Sleeve	37	3004686	Bushing	8, 19
207515	Gasket, Connection	194	3004724	Spacer	73
207538	Connection, Water Inlet	183	3004957	Spring, Governor Max	71
207551	Seal, O Ring	193	3005939	Gasket, Cover Plate	193
207603	Cover, Water Conn	43, 45	3005940	Gasket, Gear Housing	193
208084	Rivet	11	3006175	Screw, Fuel Pump Adjusting	69
210753	Clamp, Hose	99	3006343	Stop, Throttle Lever	69
211635	Pin, Governor	71	3006344	Screw, Set Hex Flat S'K'T	69
212161	Seal, O Ring	15, 193	3006440	Assembly, Throttle Shaft	69
212601	Shaft, Fuel Pump	73	3007025	Clamp, Tube	123
212602	Gear, Tach Drive	73	3007441	Seal, O Ring	193
212603	Seal, Oil	73	3007512	Seal, O Ring	19, 193
212604	Ring, Retaining	73	3007525	Kit, Liner	5, 196
212605	Gear, Fuel Pump	73	3007971	Bearing, Camshaft Thrust	117, 143
212607	Shaft, Tach Drive	73	3008018	Absorber, Schock	43, 47
212609	Bushing, Tach Drive	73	3008494	Adapter, O Ring	19
212610	Gear, Tach Drive	73	3008706	Screen, Filter	119, 145, 167
212613	Hub, Jaw Coupling	73	3008710	Seal, Rectangular Ring	194
212639	Adapter, Spline	73	3008921	Gasket, Pressure Regulator	17, 193
212668	Key, Square	73	3009323	Gasket, Water Header	
213272	Pickup, Magnetic	60		Cover	128, 158, 193
213273	Harness, Wiring	60	3009324	Gasket, Water Header	
213395	Plug, Expansion	17		Cover	128, 158, 193
213559	Socket, Cam Follower	13	3009380	Plunger, Governor	69
213768	Seal, O Ring	69	3009475	Shaft, Pivot	43, 45
213769	Plug, Ball	69	3009477	Sleeve	43, 45
214139	Bail, Plug AFC	69	3009480	Pulley, Idler	43, 45
215617	Head, Corrosion Resistor	181	3009481	Shaft, Idler	43, 45
216187	Seal, O Ring	191, 194	3009482	Bracket, Idler Pulley	43, 45
219153	Bolt, Connecting Rod	26	3009483	Pulley, Idler	43, 45
555273	Nut, Lock	37	3010247	Cover, Valve	11
650826	Plunger, Fuel Control	79	3010410	Cover, Access Hole	59
650829	Spring, Compression	79	3010596	Screw, Captive Washer Cap	19, 128, 158
651045	Seal, Grommet	79	3010635	Adapter, Filter Head	53, 55
3000082	Washer, Plain	107, 109	3010636	Head, Fuel Filter	103
3000138	Support, Bearing	3	3010810	Plunger, Governor	69
3000139	Bearing, Thrust	7	3011076	Seal, D Ring	5
3000204	Washer, Lock	107	3011580	Gasket, Aftercooler Cover	194
3000446	Cover, Fuel Control	69	3011651	Gasket, Cover Plate	193
3000624	Shaft	17	3011884	Insert, Liner	5
3000632	Gasket, Connection	111, 193	3012603	Flywheel	84
3001340	Seal, O Ring	25, 29, 121, 127, 147, 194, 195	3012611	Kit, Liner	5, 196
			3012612	Kit, Liner	5, 196
			3013036	Shaft, Shutoff Valve	83
3001658	Seal, Injector	14	3013266	Screw, Connecting Rod Cap	137, 173
3001659	Seal, Injector	14	3014103	Washer, Plain	65
3001660	Seal, Injector	14	3014304	Seal, Rectangular Ring	91, 194
3001708	Bearing, Thrust	7	3014449	Gasket, Flange	43, 45, 193, 194
3001709	Bearing, Thrust	7			
3001719	Pin, Retaining	111	3014575	Cap, Fuel Pump Filter	83
3001811	Screw, Twelve Point Cap	25, 29, 121, 147	3014668	Seal, D Ring	5
			3015460	Support, Fan	45
3002110	Connector, Male	73	3015665	Assy, Tach Drive	73
3002126	Nut, Lock	15	3016206	Bracket, Shock	43
3002150	Seal, Ferrule	25, 29	3016611	Gear And Shaft	76
3002956	Tube, Wtr Transfer Lb	185	3016766	Pulley, Idler	43, 45
3002993	Dowel, Ring	3, 13, 43, 45	3016788	Seal, Oil	193
3003016	Seal, O-Ring	194	3016792	Seal, Oil	43, 45, 193
3003156	Seal, Wire	63, 125, 149	3016793	Seal, Oil	193
3003341	Belt, V Ribbed	43	3016825	Roller, Cam Follower	13
3003343	Belt, V Ribbed	45	3016826	Roller, Cam Follower	13
3003354	Bearing, Roller	43, 45	3017051	Capscrew, Captive Washer	71, 73, 74, 75
3003440	Support, Flywheel Housing	176	3017052	Capscrew, Captive Washer	73
3003682	Clamp, Injector	119, 145, 167	3017245	Manifold, Fuel	25, 29

## INDEX

Part No.	Description	Page No.	Part No.	Description	Page No.
3017246	Manifold, Fuel	25, 29	3029506	Gasket, Oil Drain	195
3017670	Fan Idler Assem	43, 45	3029625	Seal, O Ring	195
3017961	Rod, Push	13	3029626	Seal, O Ring	195
3018210	Set, Main Bearing	7, 196	3029627	Seal, Dust	195
3018211	Set, Main Bearing	7, 196	3029640	Seal, O Ring	195
3018212	Set, Main Bearing	7, 196	3030267	Cover, Fuel Pump Front	67, 73
3018213	Set, Main Bearing	7, 196	3030487	Spacer, Bearing	19
3018214	Set, Main Bearing	7, 196	3030490	Body, Water Pump	19
3018682	Capscrew, Hexagon Head	73	3031385	Valve, Pressure Relief	111
3018767	Spring, Compression	71	3031404	Connector, Tube	25, 29
3018920	Clamp, Wire Tie	123, 157	3031518	Shaft, Fan Hub	47
3018924	Wire, Ground	177	3031544	Seal, Rectangular Ring	193
3019150	Insert, Liner	5	3031545	Hub, Fan	47
3019416	Spring, Torsion	43, 45	3031737	Pulley, Crankshaft	33
3019617	Gear And Shaft	76	3032014	Spring, Compression	71
3021123	Seal, O Ring	83	3032627	Union, Male	56
3021148	Insert, Liner	5	3032628	Elbow, Male Union	56
3021393	Flywheel	87	3032629	Plug, Threaded	107, 109
3021465	Seal, Grommet	113	3032630	Head, Fuel Filter	53
3021466	Seal, Grommet	113	3032633	Screw, Twelve Point Cap	3, 113, 139
3021467	Seal, Grommet	113	3033405	Head, Lub Oil Filter	103, 104
3021468	Seal, Grommet	113	3033627	Washer, Plain	33
3021470	Screw, Captive Washer Cap	43, 45	3033629	Pin, Roll	33
3021618	Plunger, Prs Regulator	95	3033630	Screw, Hex Flange Head	
3021639	Nut, Sealing	125, 149		Cap	33
3021977	Cover, Spring	67	3033719	Dowel, ring	76
3022725	Support, Fuel Pump	65	3033739	Cover, Fuel Pump Gear	76
3023066	Seal, O-Ring	194, 195	3033742	Plug, Threaded	76
3023095	Washer, Sealing	14, 195	3033853	Shaft, Idler	3
3023129	Seal, Dust	195	3034075	Bearing, Thrust	7
3023130	Seal, Dust	194	3034076	Bearing, Thrust	7
3023217	Plug, Threaded	25, 29, 121, 147	3034221	Pump, Gear Fuel	67, 76
			3034408	Seal, O Ring	125, 149
3023499	Cap, Idler Lever	43, 45	3034451	Housing, Actuator	83
3023536	Screw, Hexagon Head Cap	84, 87	3034452	Disc, Actuator	83
3024991	Assy, Governor Carrier	71	3035223	Gasket, Connection	195
3025283	Body, Lub Pump	17	3035228	Seal, O Ring	95
3025286	Assy, Cover & Bushing	17	3035248	Seal, Water Pump	19
3025292	Tube, Lub Oil Supply	111	3036115	Cover, Protective	33
3025459	Plug, Pipe	69	3036460	Washer, Spring	91, 132, 135, 162, 165, 185, 187, 189
3025460	Plug, Pipe	69			
3025485	Washer, Plain	3	3036472	Guide, Idle Spring	71
3026163	Gasket, Fuel Pump	76	3036666	Seal, O Ring	125, 149
3026312	Shim	17	3036970	Housing, Spring Pack	69
3026313	Shim	17	3037219	Insert, Filter Head	103, 104
3026391	Seal, Rectangular Ring	111, 193	3037236	Seal, O Ring	25, 29, 81, 83
3026392	Seal, Rectangular Ring	111, 193	3037537	Seal, O Ring	25, 29, 107
3026420	Seal, Dust	195	3037662	Elbow, Male Union	123, 125, 149, 155, 157
3026421	Seal, O Ring	194, 195			
3026556	Bearing, Thrust	19	3037821	Gasket, Exhaust Manifold	191, 194, 195
3026676	Screw, Hex Flange Head		3038743	Valve, Check	125, 149
	Cap	111	3038938	Cover, Rocker Lever	11
3026677	Capscrew	17	3039163	Lever, Cam Follower	13
3026678	Capscrew	17	3039164	Lever, Cam Follower	13
3026925	Connection, Oil Transfer	111	3039376	Belt, V Ribbed	37
3026926	Spring, Compression	111	3040710	Tube, Water Transfer	185
3026927	Plunger, Prs Regulator	111	3040721	Gasket, Cam Fol Housing	13, 193, 195
3027633	Bearing, Thrust	69	3040722	Gasket, Camshaft Cover	8, 193
3027988	Ring, Retaining	120, 146, 168	3040810	Plug, Threaded	60, 96
3027994	Spring, Compression	120, 146, 168	3040813	Plug, Threaded	107
3028291	Seal, O Ring	185, 194, 195	3040814	Plug, Threaded	125, 149
3028368	Assy, Cover And Bushing	73	3040818	Plug, Threaded	95
3028372	Assy, Main Drive	73	3040819	Plug, Threaded	95
3028552	Body, Bypass Valve	95	3040911	Plug, Threaded	55
3028595	Adapter, Oil Pan	107, 109	3042425	Adapter, Injector	119, 145, 167
3028701	Pan, Oil	109	3042427	Spring, Injector	119, 145, 167
3029301	Nut, Lock	125, 149			

## INDEX

Part No.	Description	Page No.	Part No.	Description	Page No.
3042428	Spring, Injector	119, 145, 167	3056356	Harness, Wiring	34, 35
3042430	Retainer, Injector Cup	119, 145, 167	3057139	Rod, Push	13
3042542	Seal, O Ring	125, 149	3058423	Plunger, Oil Control Valve	5
3043032	Pipe, Exhaust Outlet	191	3058424	Spring, Compression	5
3043211	Gasket, Oil Pan	107, 193	3058559	Barrel, Governor	69
3043213	Gasket, Oil Pan	107, 109, 193	3058809	Connection, Air Crossover	91
3043214	Gasket, Oil Pan	109	3058812	Seal, Dust	135, 165
3043909	Bushing	137, 173	3058814	Connection Air Intake	91
3044286	Connection, Oil Supply	123, 127	3060605	Barrel & Plunger	125, 149
3044993	Plug, Injector Orifice	125, 149	3060606	Body, Oil Control Valve	125, 149
3045568	Connection, Water Inlet	19	3060609	Valve, Oil Control	125
3045986	Seal, O Ring	125, 149	3060889	Housing, Thermostat	187, 189
3046191	Thermostat	187	3061835	Tee, Male Union	125, 149
3046200	Spider, Jaw Coupling	63	3062119	Ball, Check	120, 146, 168
3046201	Seal, O Ring	60, 96, 123, 153, 155, 157	3062322	Control, Governor	61
3046202	Plug, Threaded	60, 96	3062493	Gasket, Cylinder Head	113
3046287	Spacer, Mounting	191	3062600	Guide, Ball	120, 146, 168
3046407	Screw, Socket Set	69	3062676	Seal, Oil	73
3046690	Shaft, Throttle	69	3063019	Connector, Male	155, 157
3046852	Gasket, Acc Drive Support	65, 193	3063020	Connector, Male	125, 149
3046943	Seal, O Ring	79	3063052	Gasket, Front Cover	73
3047390	Bearing, Connecting Rod	137, 173, 196	3063054	Cover, Fuel Pump	73
3047391	Bearing, Connecting Rod	137, 173, 196	3063294	Seal, Grommet	135, 165
3047392	Bearing, Connecting Rod	137, 173, 196	3063673	Elbow, Male Union	103
3047393	Bearing, Connecting Rod	137, 173, 196	3063683	Harness, Wiring	61, 66
3047394	Bearing, Connecting Rod	137, 173, 196	3063809	Clamp, T Bolt	91
3047665	Gasket	91	3063810	Clamp, T Bolt	91
3048182	Seal, O Ring	75	3065830	Seal, Oil	43, 45
3048341	Gasket, Fuel Pump	73	3065944	Screw, Captive Washer Cap	83
3048557	Spacer, Bearing	69	3066914	Seal, O Ring	125, 149
3048620	Crosshead, Valve	139	3067347	Plug, Threaded	83
3049041	Retainer, Spring	125, 149	3067424	Plug, Threaded	83
3049363	Connection, Water Outlet	187	3068859	Cap, Tappet Top Stop	119, 145, 167
3049364	Gasket, Connection	187, 189	3068860	Nut, Lock	119, 145, 167
3049368	Gasket, Connection	185	3068976	Core, Aftercooler	132, 162
3049565	Hose, Plain	91	3069026	Screw, Hexagon Head Cap	49
3050345	Spring, Compression	120, 146, 168	3069027	Cover, Gear	51
3050454	Impeller, Water Pump	19	3069102	Gasket, Air Compressor	193
3050624	Valve, Pressure Regulator	76	3069103	Gasket, Fuel Pump	63, 193
3050692	Switch, Magnetic	41	3069776	Adapter, Crankshaft	33
3050944	Gasket, Flange	185	3069779	Screw, Twelve Point Cap	33
3050953	Tube, Water Transfer	135, 165	3069781	Spacer, Crankshaft	33
3051069	Spring, Compression	125, 149	3069989	Cover, Oil Control Valve	125, 149
3052218	Retainer, Injector Spring	119, 145, 167	3069998	Washer, Sealing	125, 149
3052233	Link, Injector Plunger	14, 120, 146, 168	3070108	Gasket, Control Valve Body	125, 149
3052819	Insert, Valve	115, 141	3070124	Cover, Diaphragm	125, 149
3052820	Valve, Intake	115, 141	3070186	Washer, Plain	125, 149
3052906	Gasket, Thermostat Housing	187, 189	3070589	Ring, Compression Piston	137, 173
3052907	Connection, Water Transfer	189	3070962	Screw, Hexagon Head Cap	14
3052908	Gasket, Wtr Trf Connection	187, 189	3073890	Body, Fuel Shutoff Valve	83
3053476	Lever, Rocker	11	3073891	Body, Shutoff Valve	83
3053478	Lever, Rocker	11	3073998	Disc, Valve	125, 149
3053479	Lever, Rocker	11	3073999	Screw, Socket Head Cap	125, 149
3053504	Barrel, Injector	119, 145, 167	3074304	Camshaft	117
3054411	Spring, Leaf	125, 149	3074305	Camshaft	117
3054518	Connection, Water Transfer	185	3075381	Tappet, Hyd Var Timing	119, 120, 145, 146, 167, 168
3054519	Brace, Tube	185	3075537	Pump, Fuel	67
3054609	Solenoid	83	3075637	Screw, Socket Head Cap	125, 149
3054852	Spring, Injector	120, 146, 168	3075638	Screw, Socket Head Cap	125, 149
3055069	Plug, Threaded	107, 109	3076124	Plunger, Injector	119, 145, 167
3055663	Thermostat	189	3076126	Barrel & Plunger	119, 145, 167
3055687	Nut, Control Valve	125, 149	3076332	Valve, Oil Control	149
3055710	Tube, Water Bypass	185	3076346	Sleeve, Wear	175
3055712	Connection, Water Bypass	185	3081064	Head, Cylinder	115, 141
3056353	Switch, Temperature	34	3081081	Rotator, Valve	115, 141
			3081489	Seal, Oil	5

# INDEX

Part No.	Description	Page No.	Part No.	Description	Page No.
3082142	Seal, Oil	59	3177130	Lever, Idler	45
3084539	Seal, O Ring	153, 194	3177131	Lever, Idler	43
3084623	Manifold, Oil	121, 147	3177160	Gasket, Gear Cover	48, 49, 193
3084624	Manifold, Oil	121, 147	3177198	Elbow, Male Union	103
3085220	Actuator, Etr Fuel Control	67, 75	3177412	Gasket, Cylinder Head	113
3086362	Crosshead, Valve	113	3177433	Plate, Cover	95
3087563	Pan, Oil	107	3177443	Screw, Hex Flange Head	
3088371	Seal, Dust	194		Cap	3
3088389	Valve, Exhaust	115, 141	3177509	Bushing	51
3090450	Ring, Oil Piston	137, 173	3177510	Bushing	51
3090460	Ring, Compression Piston	137, 173	3177556	Seal, Rectangular Ring	5
3090769	Screen, Filter	83	3177591	Bracket, Crn Resistor	181
3090770	Housing, Filter	83	3177713	Housing, Rocker Lever	116, 142
3095291	Connector, Male	155, 157	3177760	Screw, Hexagon Head Cap	13
3095292	Elbow, Male Adapter	25, 29	3177812	Support, Front Engine	39
3095293	Union, Male	20	3177942	Gasket, Turbocharger	131, 161, 171, 195
3095651	Tee, Male Union	123			
3095773	Injector	119	3177945	Screw, Hex Flange Head	
3096078	Filter, Fuel	83		Cap	3
3096685	Piston, Engine	173	3178076	Gasket, Gear Housing	51, 193
3096856	Valve, Fuel Shutoff	83	3178219	Bracket, Valve	126, 150
3098693	Control, Governor	66	3178223	Gear	17
3098738	Camshaft	143	3178224	Assembly, Gear And Shaft	17
3098739	Camshaft	143	3178225	Assembly, Gear And Shaft	17
3166286	Gasket, Cylinder Head	139	3178257	Screw, Socket Head Cap	127, 153
3175027	Washer, Plain	63, 88	3178314	Connection, Exhaust Outlet	192
3175032	Gasket, Crankcase Breather	193	3178450	Shaft, Idler	3
3175058	Clip	189	3178457	Washer, Plain	3
3175074	Screw, Socket Head Cap	25, 29	3178464	Plate, Cover	5
3175239	Nut, Lock	111	3178466	Connection, Water Transfer	5
3175255	Gear, Crankshaft	26	3178520	Clip	155, 157
3175281	Support, Bearing	3	3178534	Nipple, Reducing Hexagon	5
3175318	Hose, Flexible	123	3178564	Pulley, Fan	47
3175517	Gasket, Flange	185, 194	3178785	Cover, Hand Hole	99
3175545	Seal, O Ring	185, 194	3178803	Block, Cylinder	3
3175550	Cover, Protective	63	3178837	Valve, Shutoff	181
3175573	Ring, Retaining	19	3178838	Elbow, Plain Stree Pipe	99, 181
3175584	Clamp, Tube	111	3178947	Screw, Hexagon Head Cap	5
3175585	Bracket, Oil Tube	111	3179000	Dowel, Pin	5
3175687	Tee, Street Pipe	93	3179021	Screw, Banjo Connector	14
3175705	Seal, Ferrule	194	3179026	Gasket, Connection	194
3175716	Elbow, Male Adapter	81	3179027	Gasket, Connection	194, 195
3175810	Hose, Flexible	56	3179028	Gasket	91
3175856	Gasket, Hand Hole	99, 193	3179035	Gasket, Wtr Trf Connection	183, 193
3175857	Support, Water Pump	19	3179585	Connection, Air Crossover	91
3175861	Bracket, Shipping	22	3179664	Valve, Piston Cooling	5
3175985	Assy, Cover & Bushing	17	3179850	Tube, Water Transfer	135, 165
3176012	Assembly, Front Engine Sup	39	3179853	Tube, Water Transfer	135, 165
3176216	Weight, Crankshaft Counter	26	3179856	Tube, Water Transfer	135, 165
3176218	Dowel, Ring	26	3179859	Tube, Water Transfer	135, 165
3176465	Screw, Hexagon Head Cap	43, 45, 59	3179866	Support, Alternator	37
3176552	Seal, Tamper Proof	5, 65	3179922	Pulley, Alternator	37
3176618	Dowel, Diamond	51	3179944	Pulley, Accessory Drive	175
3176637	Housing, Flywheel	59	3200287	Seal, Keyway	175, 193
3176649	Seal, Tamper Proof	3, 51	3201125	Seal, O Ring	193
3176710	Tube, Fuel Supply	25, 29	3201128	Nut, Regular, Hexagon	187, 189
3176772	Shaft, Rocker Lever	11	3201583	Plug, Threaded	53, 55
3176857	Dowel, Ring	3	3201585	Seal, O Ring	53, 55
3176918	Housing, Gear	51	3201739	Shaft, Barring	21
3177089	Tube, Lub Oil Suction	111	3201740	Drive, Engine Barring	21
3177103	Pump, Lubricating Oil	17	3202199	Housing, Rocker Lever	116, 142
3177108	Gasket, Filter Head	95, 193	3202210	Guide, Valve Stem	115, 141
3177110	Cover, Lub Oil Pump	17	3255283	Switch, Pressure	35
3177126	Support, Pivot Shaft	43, 45	3277045	Spring, Compression	79
3177127	Lever, Idler	43, 45	3279620	Housing, Fuel Pump	67, 69
3177128	Sleeve, Wear	43, 45	3279691	Body, Fuel Pump	69
3177129	Bearing, Thrust	43, 45	3279720	Cup, Injector	119

# INDEX

Part No.	Description	Page No.	Part No.	Description	Page No.
3279794	Seal, O Ring	83	3627695	Seal, O Ring	123, 153, 155, 157
3279821	Screw, Injector Stop	119, 145, 167			
3279850	Nut, Tappet Top Stop Lock	119, 145, 167	3627697	Union, Male	20
3310169	Element, Lub Oil Filter	95	3627698	Union, Male	123
3313283	Element, Lub Oil Filter	104	3627702	Tee, Male Union	123
3313304	Separtor, Fuel Water	55	3627703	Tee, Male Union	123, 127
3313306	Element, Fuel Water	53	3627706	Hose, Flexible	123
3318319	Resistor, Corrosion	181	3627707	Hose, Flexible	123
3349860	Injector	145	3627708	Hose, Flexible	123, 127
3349861	Injector	167	3627712	Hose, Flexible	127
3502449	Seal, Rectangular Ring	131, 161, 171	3627723	Retainer, Shaft	19
3504967	Washer, Plain	131, 161, 171	3627784	Tee, Male Adapter	187, 189
3519535	Nut, Lock	131, 161, 171	3627894	Link, Injector Plunger	119, 145, 167
3519623	Collar, Thrust	131, 161, 171	3627927	Plunger, Prs Regulator	95
3519627	Bearing, Turbocharger	131, 161, 171	3627938	Gasket, Cover Plate	96
3519641	Ring, Retaining	131, 161, 171	3627961	Seal, Thermostat	187, 189, 194
3519783	Shield, Turbocharger Heat	131, 161, 171	3628104	Screw, Hexagon Head Cap	43, 45
3521032	Shaft & Wheel	131, 161, 171	3628187	Shaft, Water Pump	19
3521225	Screw, Hexagon Head Set	131, 161, 171	3628194	Screw, Hexagon Head Cap	11
3521442	Seal, Split Ring	131, 161, 171	3628196	Screw, Hexagon Head Cap	11
3522904	Lockplate	131, 161, 171	3628229	Cover, Hand Hole	99
3523412	Seal, Split Ring	131, 161, 171	3628330	Gasket, Rkr Lever Hsg	194, 195
3523429	Housing, Tur Bearing	131, 161, 171	3628407	Gasket, Cylinder Head	194, 195
3523580	Housing, Compressor	131, 161	3628411	Cover Starter Flange	178
3523980	Slinger, Oil	131, 161, 171	3628452	Screw, Hexagon Head Cap	3
3524418	Shim	131, 161, 171	3628503	Gasket, Cylinder Head	195
3524419	Baffle, Oil	131, 161, 171	3628517	Connection, Fuel Block	25, 29
3525073	Screw, Hexagon Head Set	131, 161, 171	3628518	Connection, Fuel Block	25, 29
3526985	Bearing, Tur Thrust	131, 161, 171	3628522	Union, Male	123
3527104	Diffuser, Turbocharger	131, 161, 171	3628591	Connection	91
3528109	Clamp, V Band	131, 161, 171	3628593	Hose	91
3529367	Impeller, Tur Compressor	171	3628604	Plug, Pipe	11, 47, 81, 95
3529372	Nut, Regular Hexagon	131, 161, 171	3628605	Plug, Pipe	3, 51, 91, 93, 95
3533704	Impeller, Tur Compressor	131, 161			
3534169	Housing, Turbine	131, 161, 171	3628606	Plug, Pipe	19, 51, 107, 109, 187, 189
3539269	Housing, Compressor	171			
3539284	Turbocharger	131, 161	3628607	Plug, Pipe	3, 116, 142, 183, 187, 189
3539614	Turbocharger	171			
3609841	Cup, Injector	145, 167	3628608	Plug, Pipe	3, 107, 109
3626479	Bracket, Connection	91	3628609	Plug, Pipe	51, 107
3626660	Cross, Male Union	187, 189	3628610	Plug, Pipe	25, 29
3626717	Connection, Water Transfer	135, 165	3628633	Elbow, Male Adapter	25, 29
3626718	Connection, Water Transfer	135, 165	3628640	Support, Water Pump	19
3626719	Connection, Water Transfer	135, 165	3628649	Damper, Vibration	33
3626720	Connection, Water Transfer	135, 165	3628650	Damper, Vibration	33
3626804	Nut, Lock	191	3628708	Hose, Flexible	20
3626867	Spacer, Mounting	132, 162	3628709	Hose, Flexible	20
3626871	Link, Adjusting	37	3628755	Cover, Camshaft	13
3626944	Clamp, V Band	192	3628756	Cover, Camshaft	13
3626952	Shaft, Water Pump	19	3628798	Gear, Crankshaft	26
3627026	Cover, Gear	51	3628822	Gear, Idler	19
3627044	Connection, Oil Transfer	14	3628823	Gear, Idler	8
3627084	Pump, Water	19	3628894	Seal, Dust	175
3627095	Screw, Hexagon Head Cap	191	3628895	Seal, Oil	175
3627295	Core, Cooler	15	3628902	Washer, Lock	95, 99, 100, 111, 183, 187, 189, 191
3627309	Adapter, Filter Head	95			
3627324	Bracket, Magnetic Switch	41			
3627381	Seal, Rectangular Strip	132, 162	3628931	Tube, Fuel Supply	25, 29
3627382	Seal, Aftercooler Core	132, 162	3628939	Pulley, Accessory Drive	175
3627392	Manifold, Air Intake	91	3628967	Tube, Water Transfer	185
3627393	Manifold, Air Intake	91	3628968	Support, Thm Housing	187, 189
3627412	Clip	25, 29, 93, 123, 127	3628969	Lockplate	191
			3629001	Pan, Oil	109
3627681	Spacer, Bearing (cone)	47	3629007	Spring, Valve	115, 141
3627693	Union, Male	20, 25, 29	3629065	Cover, Water Header	128, 158
3627694	Union, Male	123	3629066	Cover, Water Header	128, 158
			3629097	Elbow, Plain Street Pip	187, 189

## INDEX

Part No.	Description	Page No.	Part No.	Description	Page No.
3629112	Cap, Filler	99	3630736	Elbow, Male Union	155, 157
3629113	Plug, Threaded	25, 29	3630737	Elbow, Male Adapter	155, 157
3629114	Plug, Threaded	25, 29	3630738	Elbow, Male Union	153
3629140	Gasket, Rocker Lever Cover	11, 194, 195	3630739	Elbow, Male Adapter	153
3629141	Gasket, Lub Oil Fil Cover	95, 193	3630740	Seal, O Ring	155, 157
3629146	Connection, Oil Transfer	96	3630741	Head, Fuel Filter	53, 55
3629168	Plug, Expansion	3	3630742	Gasket, Connection	191
3629196	Connection, Water Transfer	187	3630806	Elbow, Male Union	155, 157
3629205	Thermostat	189	3630828	Elbow, Male Adapter	155, 157
3629208	Connection, Water Transfer	135, 165	3630829	Connection, Oil Supply	153
3629209	Connection, Water Transfer	135, 165	3630839	Gasket, Rkr Lever Housing	11
3629210	Connection, Water Transfer	135, 165	3630840	Connector, Tube	81
3629211	Connection, Water Transfer	135, 165	3630864	Hose, Flexible	155, 157
3629276	Crankshaft, Engine	26	3630866	Hose, Flexible	155, 157
3629387	Gasket, Filter Head	95, 193	3630874	Gasket, Flywheel Housing	59
3629408	Connection, Fuel Block	79	3630877	Union, Male	155, 157
3629409	Connection, Fuel Block	79	3630878	Connector, Male	155, 157
3629410	Retainer, Spring	79	3630916	Piston, Engine	137
3629411	Seat, Prs Regulator Valve	79	3630969	Gasket, Lub Oil Clr Cover	15
3629437	Connector, Tube	81	3630986	Coupling, Plain Hose	99
3629451	Clip	191	3631004	Support, Water Pump	19
3629453	Clip	20	3631005	Support, Fuel Pump	65
3629494	Elbow, Male Adapter	181	3631163	Screw, Hexagon Flange Head	191
3629496	Elbow, Male Union	103, 181	3631241	Kit, Engine Piston	173, 196
3629497	Draincock	3, 135, 165	3631248	Set, Piston Ring	137, 173, 196
3629516	Clip	25, 29	3631437	Hose, Flexible	157
3629529	Motor, Starting	177	3631438	Hose, Flexible	155
3629538	Housing, Rocker Lever	116, 142	3631539	Breather, Crankcase	99
3629541	Head, Lub Oil Filter	95	3631572	Hose, Molded	99
3629545	Connection	91	3631578	Hose, Plain	99
3629659	Valve, Pressure	93	3631579	Cover, Hand Hole	99
3629660	Valve, Check	93	3631678	Alternator	38
3629661	Valve, Pressure	93	3632078	Hose, Plain	99
3629729	Bracket, Water Tube	189	3801268	Kit, Liner	5, 196
3629762	Spacer, Mounting	100	3801269	Kit, Liner	5
3629820	Brace, Tube	135, 165	3801897	Set, Uprate Upper	195
3629821	Brace, Tube	135, 165	3803257	Turbo Repair Kit	196
3629855	Bushing	19	3804297	Set, Single Head Gsk.	195, 196
3629856	Bushing	65	3804299	Set, Upper Engine Gasket	194, 196
3629857	Bushing	65	3804300	Set, Lower Engine Gasket	193, 196
3629861	Cover, Water Transfer	183	3804863	Turbocharger	131, 161
3629905	Bracket, Valve	93	3804884	Turbocharger	171
3629906	Ring, Clamping	93	3804885	Kit, Engine Piston	137, 196
3629962	Washer, Plain	113	3811985	Cylinder Head	115, 141
3629988	Pan, Oil	107	3818885	Seal, O Ring	79, 88, 193, 194, 195
3630024	Rod, Engine Connecting	137, 173	3883963	Seal, O Ring	20, 25, 29
3630042	Bracket, Ful Blk Cnn	123	3889311	Element, Lub Oil Filter	103
3630050	Tube, Fuel Supply	123	3913994	Seal, O Ring	21, 193
3630051	Tube, Fuel Supply	123			
3630068	Body, Piston Cooling Valve	5			
3630113	Hose, Flexible	25, 29			
3630115	Hose, Flexible	25, 29			
3630117	Hose, Flexible	25, 29			
3630119	Hose, Flexible	25, 29			
3630125	Hose, Plain	91			
3630164	Plug, Threaded	191			
3630172	Manifold, Exhaust	191			
3630173	Manifold, Exhaust	191			
3630241	Manifold, Exhaust	191			
3630242	Manifold, Exhaust	191			
3630248	Connection, Water Outlet	189			
3630358	Connection, Fuel Block	25, 29			
3630452	Gasket, Turbocharger	191			
3630597	Hose, Flexible	191			
3630600	Hose, Flexible	191			
3630734	Tee, Male Union	155, 157			
3630735	Tee, Male Union	155, 157			