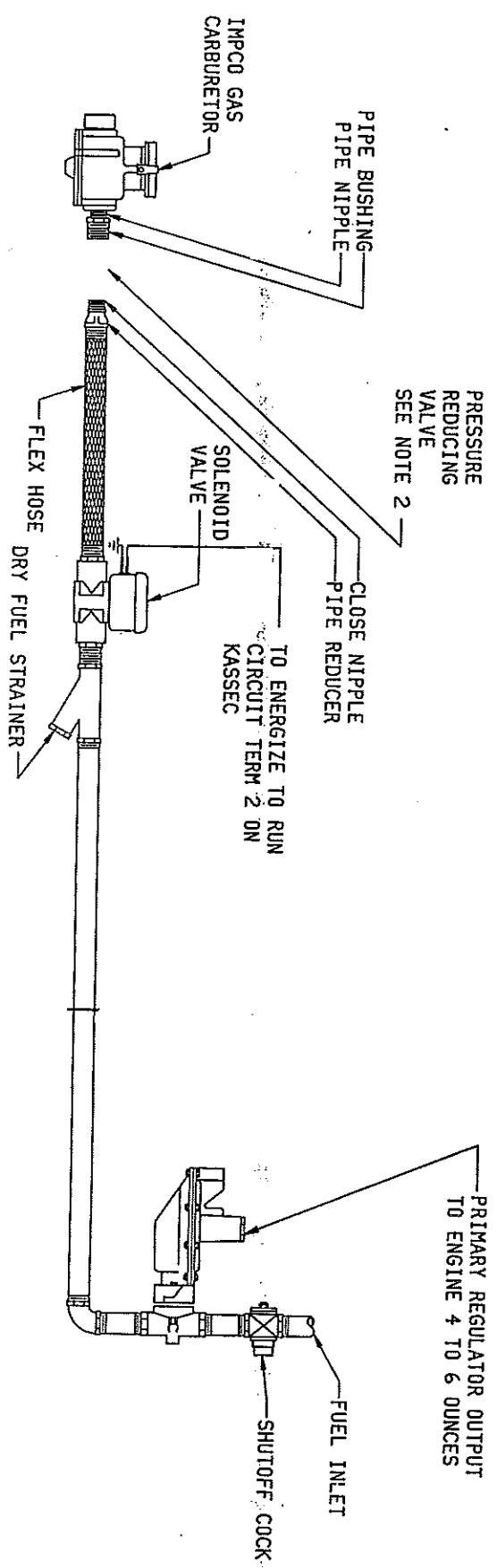
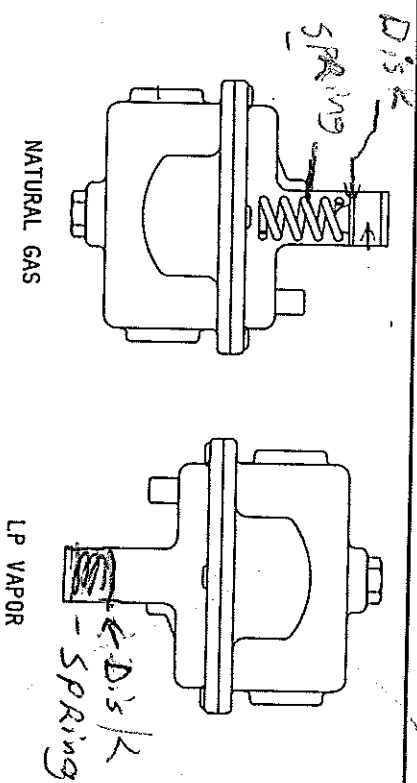


*And older Gm*

The Hercules/ White engine fuel system can be changed between Nat Gas and LP by the placement of the spring and the orientation of the regulator (see attached drawing)

The other thing is to change the timing this is normally done by power timing the engine ( done by ear ) the high tech way would be to us a wide range O2 sensor.



- NOTES:
1. TYPICAL PIPING LAYOUT WHEN LINE REGULATOR IS MOUNTED NOT MORE THAN TEN FEET FROM CARBURETOR.
  2. FOR LP VAPOR, USE THE SAME REGULATOR, BUT REMOVE THE REGULATOR SPRING AND MOUNT UPSIDE DOWN.

<b>KATOLIGHT</b>	
NANKATO, MINNESOTA	
NG OR LP VAPOR FUEL SYSTEM	
SIZE	B
DATE	6-29-95
DWG NO	204-206-11-1
DESCRIPTION	IMPCO
DWN BY	MDB
SHEET	1 OF 1