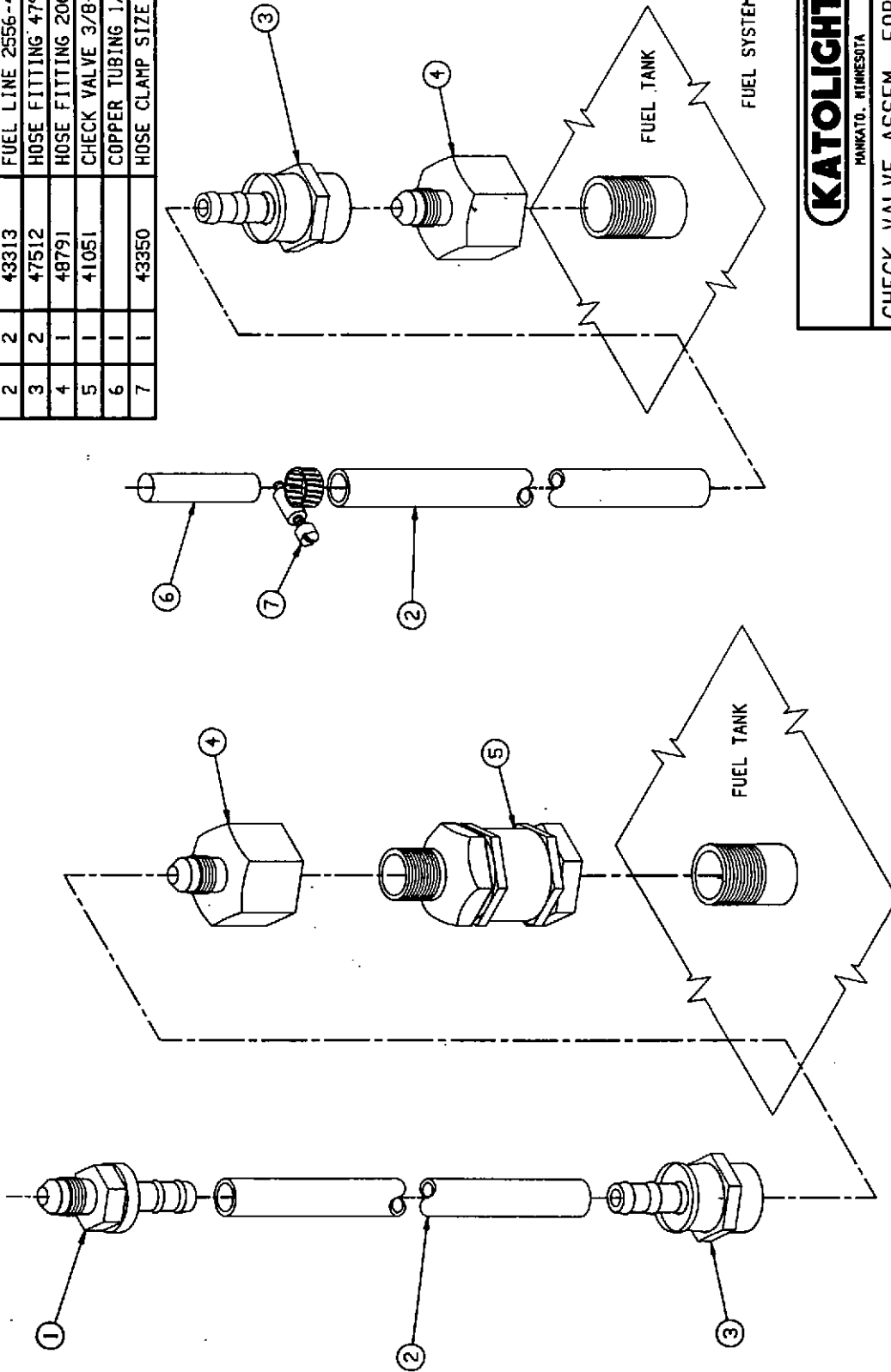




Fuel Flex Assemblies

BILL OF MATERIAL

KEY	QTY	KL PART*	DESCRIPTION
1	1	47597	HOSE FITTING 4742-5-4
2	2	43313	FUEL LINE 2556-4
3	2	47512	HOSE FITTING 4797-4-4B
4	1	48791	HOSE FITTING 2001-6-4B
5	1	41051	CHECK VALVE 3/8-18 2650
6	1		COPPER TUBING 1/8 X 2
7	1	43350	HOSE CLAMP SIZE 1



KATOLIGHT

MINNETONKA, MINNESOTA

CHECK VALVE ASSEM. FOR PERKINS

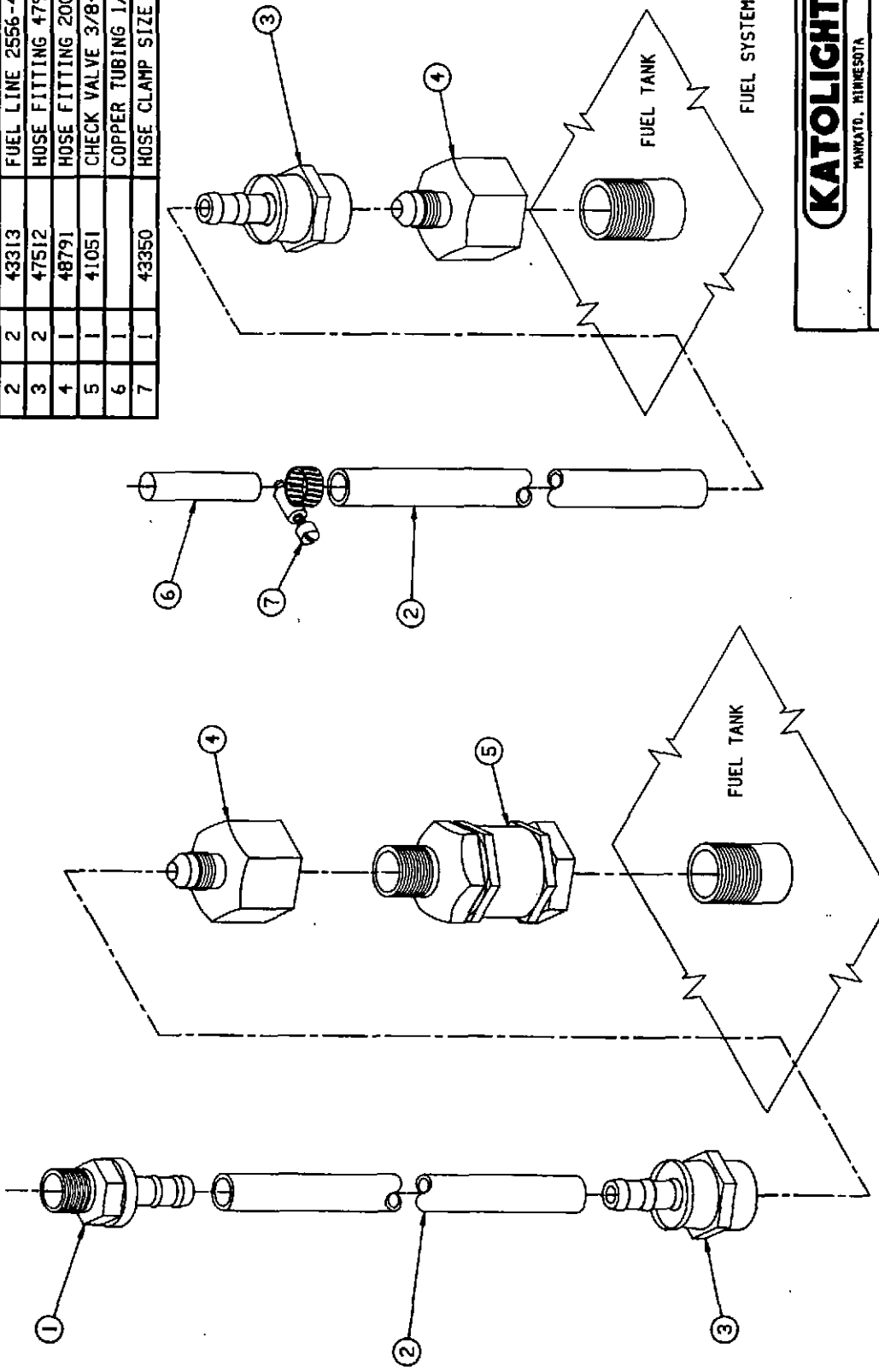
SIZE DATE DWG NO 420-B-001

B 6-10-92

SCALE .6-1 PART NO DWN BY JJS SHEET 1 OF 1

BILL OF MATERIAL

KEY	QTY	KL PART*	DESCRIPTION
1	1	47503	HOSE FITTING 4738-2-4
2	2	43313	FUEL LINE 2556-4
3	2	47512	HOSE FITTING 4797-4-48
4	1	48791	HOSE FITTING 2001-6-48
5	1	41051	CHECK VALVE 3/8-18 2650
6	1		COPPER TUBING 1/8 X 2
7	1	43350	HOSE CLAMP SIZE 1

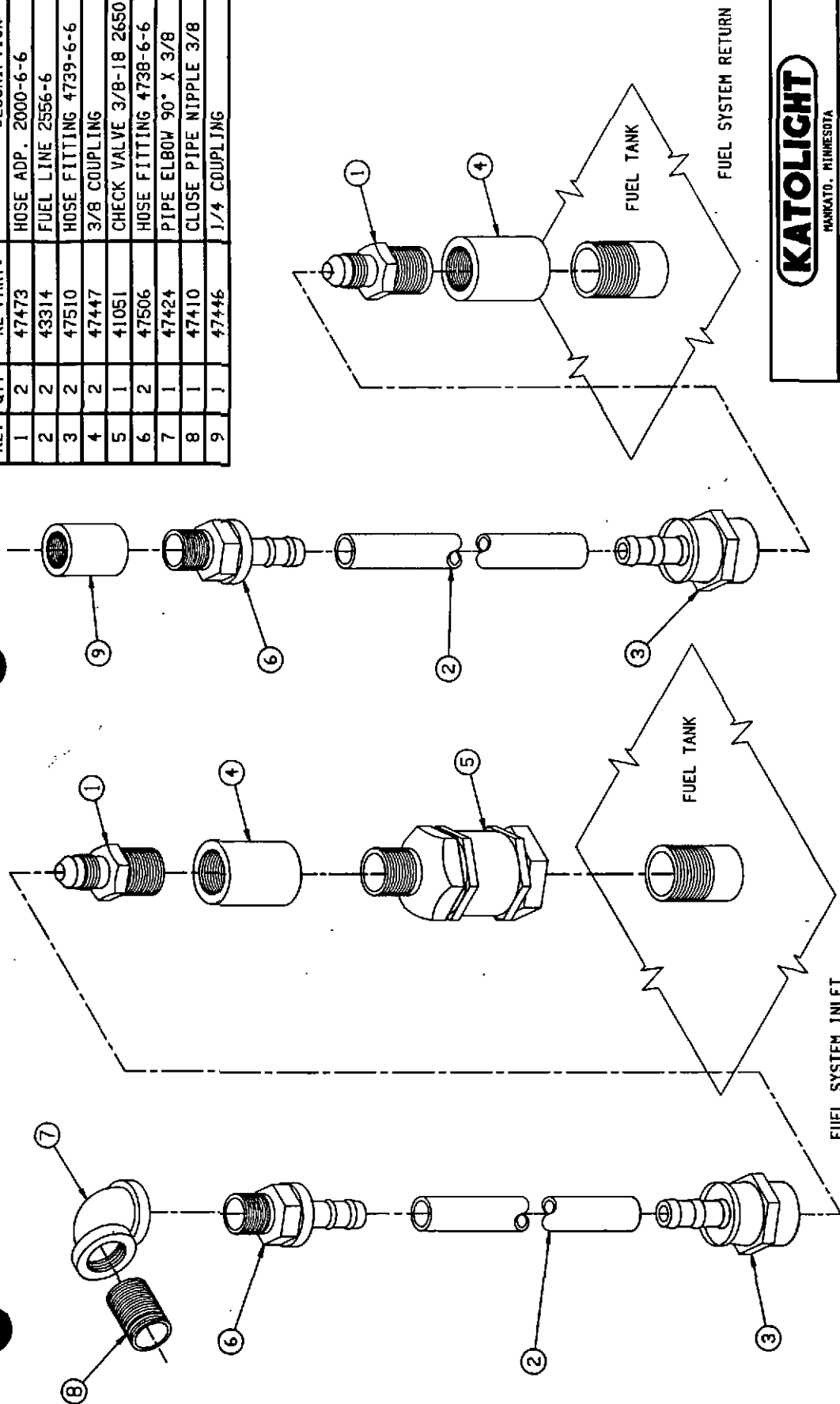


KATOLIGHT
 MINNETONKA, MINNESOTA

CHECK VALVE ASSEM. FOR HERC
 DWG NO 420-B-002
 SIZE DATE B 6-10-92
 SCALE .6-1 PART NO DWN BY JJS SHEET 1 OF 1

BILL OF MATERIAL

KEY	QTY	KL PART*	DESCRIPTION
1	2	47473	HOSE ADP. 2000-6-6
2	2	43314	FUEL LINE 2556-6
3	2	47510	HOSE FITTING 4739-6-6
4	2	47447	3/8 COUPLING
5	1	41051	CHECK VALVE 3/8-18 2650
6	2	47506	HOSE FITTING 4738-6-6
7	1	47424	PIPE ELBOW 90° X 3/8
8	1	47410	CLOSE PIPE NIPPLE 3/8
9	1	47446	1/4 COUPLING



KATOLIGHT

MINNETONKA, MINNESOTA

CHECK VALVE ASSEM. FOR DETROIT 6V-92

SIZE B

DATE 6-10-92

SCALE .6-1

PART NO

DWN BY JJS

SHEET 1 OF 1

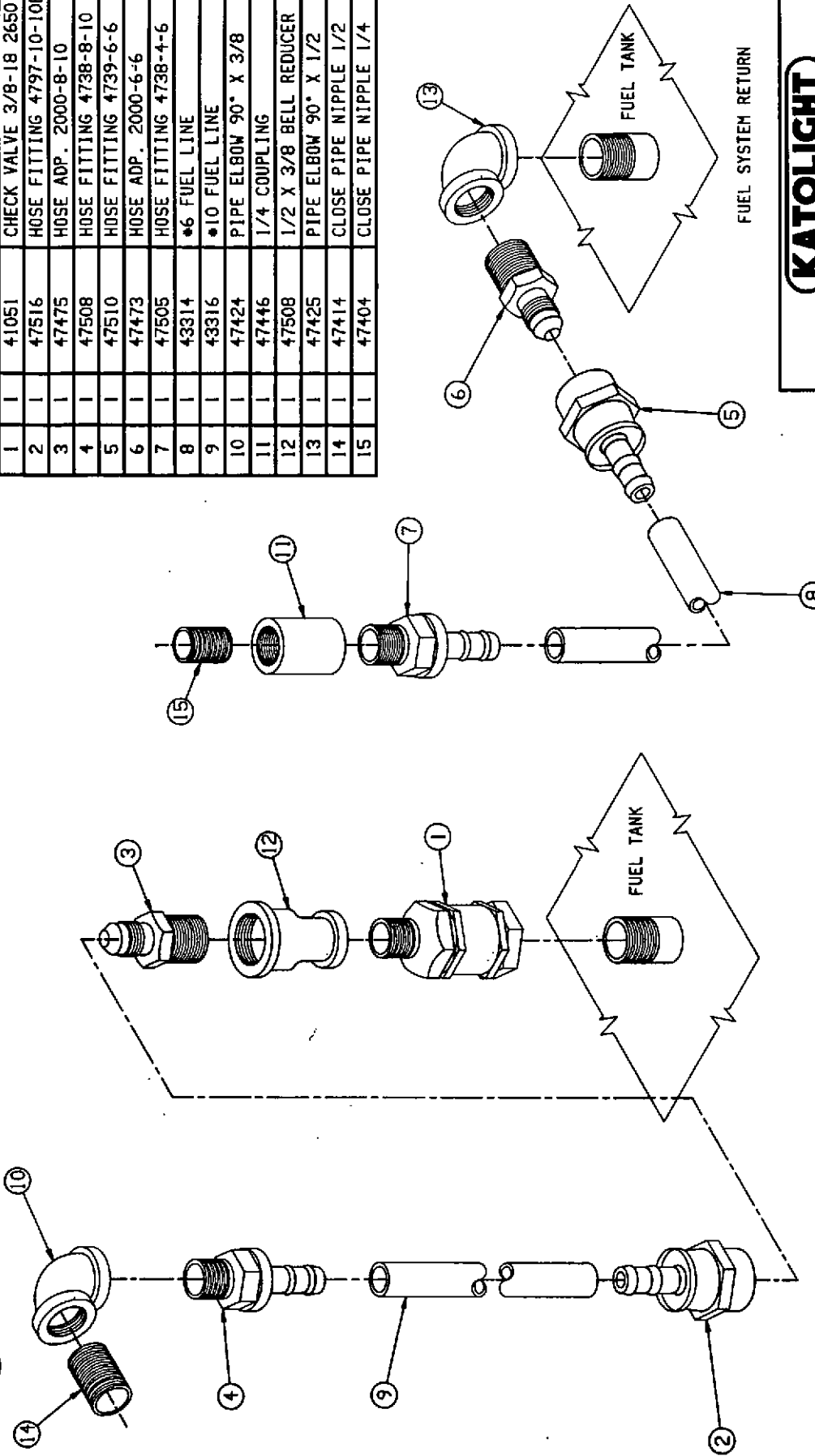
NOTES:

1. ITEMS 7 AND 8 ARE OPTIONAL

DWG NO 420-B-004

BILL OF MATERIAL

KEY	QTY	KL PART*	DESCRIPTION
1	1	41051	CHECK VALVE 3/8-18 2650
2	1	47516	HOSE FITTING 4797-10-108
3	1	47475	HOSE ADP. 2000-8-10
4	1	47508	HOSE FITTING 4738-8-10
5	1	47510	HOSE FITTING 4739-6-6
6	1	47473	HOSE ADP. 2000-6-6
7	1	47505	HOSE FITTING 4738-4-6
8	1	43314	*6 FUEL LINE
9	1	43316	*10 FUEL LINE
10	1	47424	PIPE ELBOW 90° X 3/8
11	1	47446	1/4 COUPLING
12	1	47508	1/2 X 3/8 BELL REDUCER
13	1	47425	PIPE ELBOW 90° X 1/2
14	1	47414	CLOSE PIPE NIPPLE 1/2
15	1	47404	CLOSE PIPE NIPPLE 1/4



KATOLIGHT
 MANKATO, MINNESOTA

CHECK VALVE ASSEM. FOR DETROIT 12-71

SIZE DATE DWG NO 420-B-005

B 6-10-92

SCALE .6-1 PART NO DWG BY JJS SHEET 1 OF 1

NOTES:
 1. ITEMS 10 AND 14 ARE OPTIONAL

FUEL SYSTEM INLET

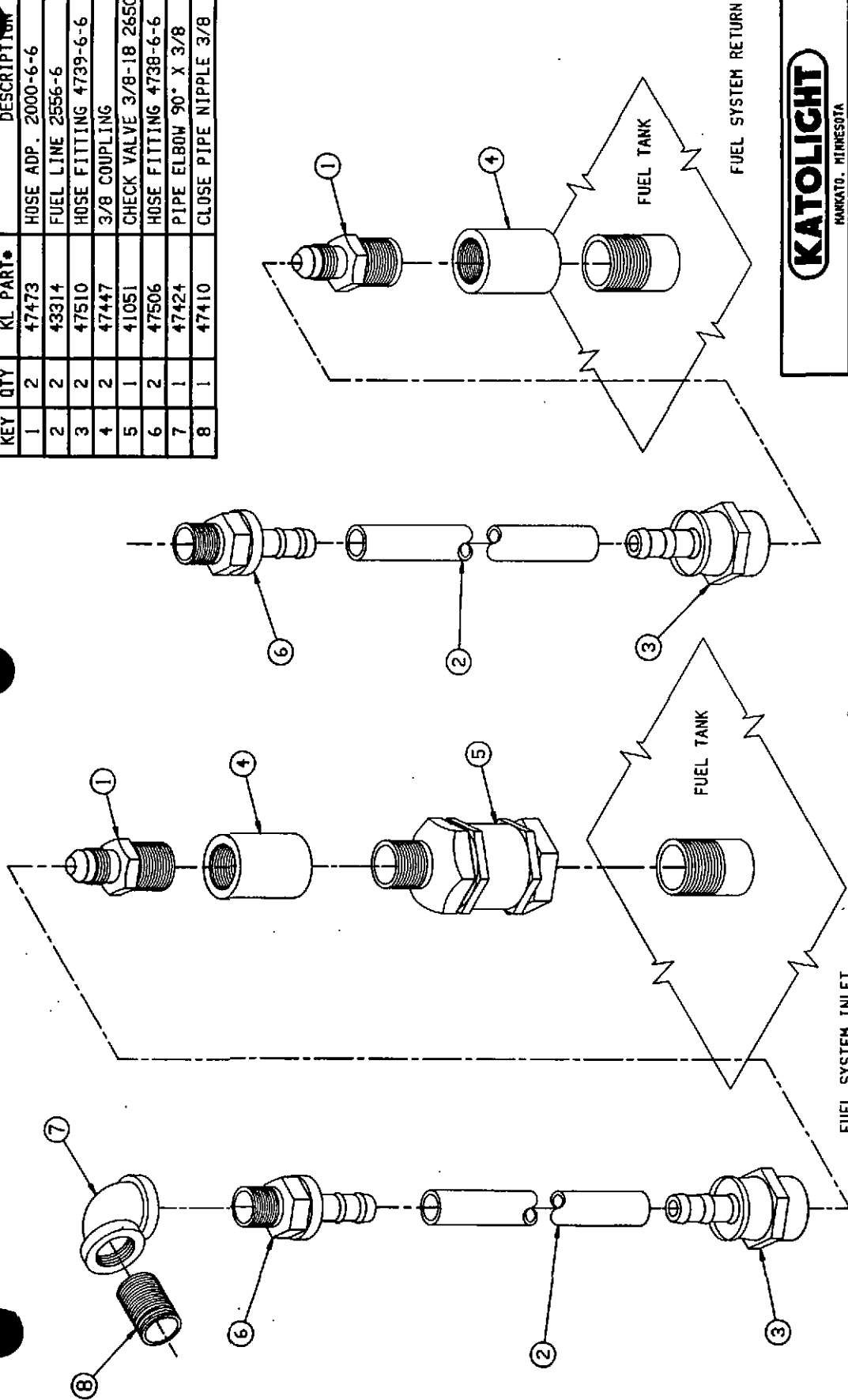
FUEL TANK

FUEL TANK

FUEL SYSTEM RETURN

BILL OF MATERIAL

KEY	QTY	KL PART#	DESCRIPTION
1	2	47473	HOSE ADP. 2000-6-6
2	2	43314	FUEL LINE 2556-6
3	2	47510	HOSE FITTING 4739-6-6
4	2	47447	3/8 COUPLING
5	1	41051	CHECK VALVE 3/8-18 2650
6	2	47506	HOSE FITTING 4738-6-6
7	1	47424	PIPE ELBOW 90° X 3/8
8	1	47410	CLOSE PIPE NIPPLE 3/8



KATOLIGHT

MARKATO, MINNESOTA

CHECK VALVE ASSEM. FOR DETROIT 6V-71

SIZE DATE DWS NO

B 6-10-92

420-B-006

SCALE .6-1 PART NO

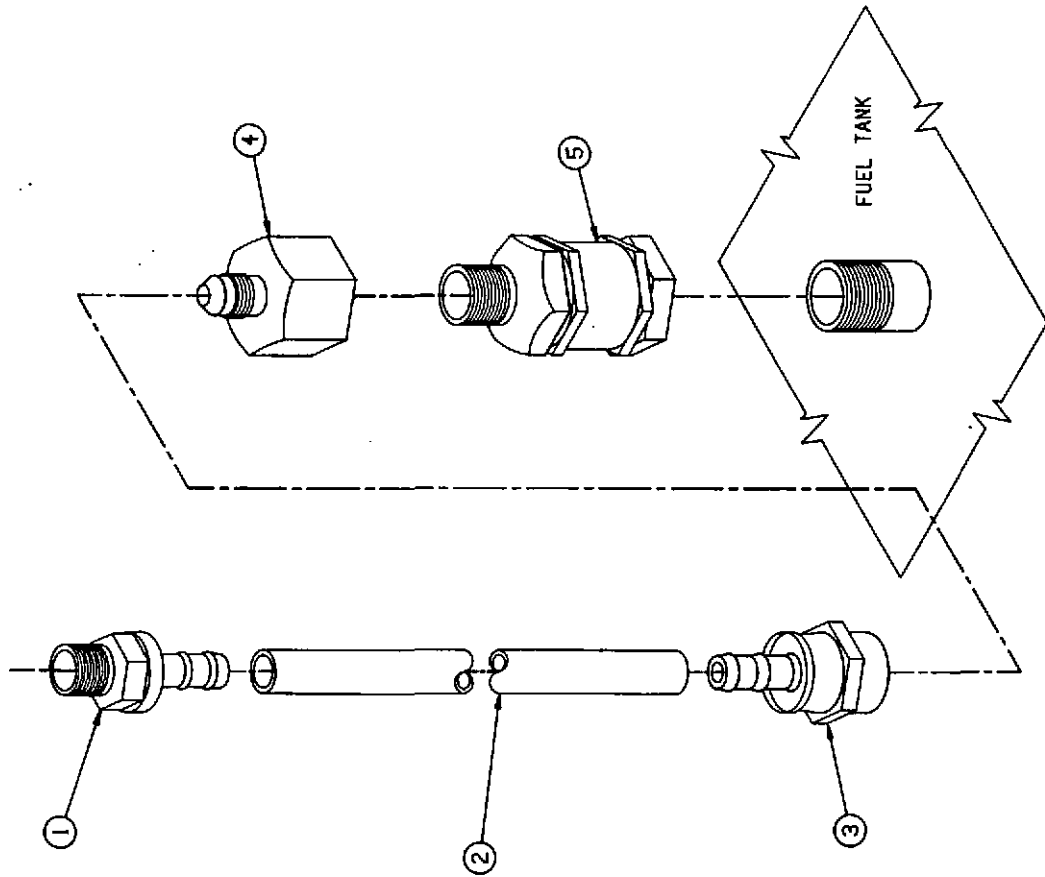
DWG BY JJS SHEET 1 OF 1

NOTES:

1. ITEMS 7 AND 8 ARE OPTIONAL

BILL OF MATERIAL

KEY	QTY	KL PART	DESCRIPTION
1	1	47503	HOSE FITTING 4738-2-4
2	2	43313	*4 FUEL LINE
3	2	47512	HOSE FITTING 4797-4-48
4	1	48791	HOSE FITTING 2001-6-48
5	1	41051	CHECK VALVE 3/8-18 2650



KATOLIGHT
 MAIRKATO, MINNESOTA

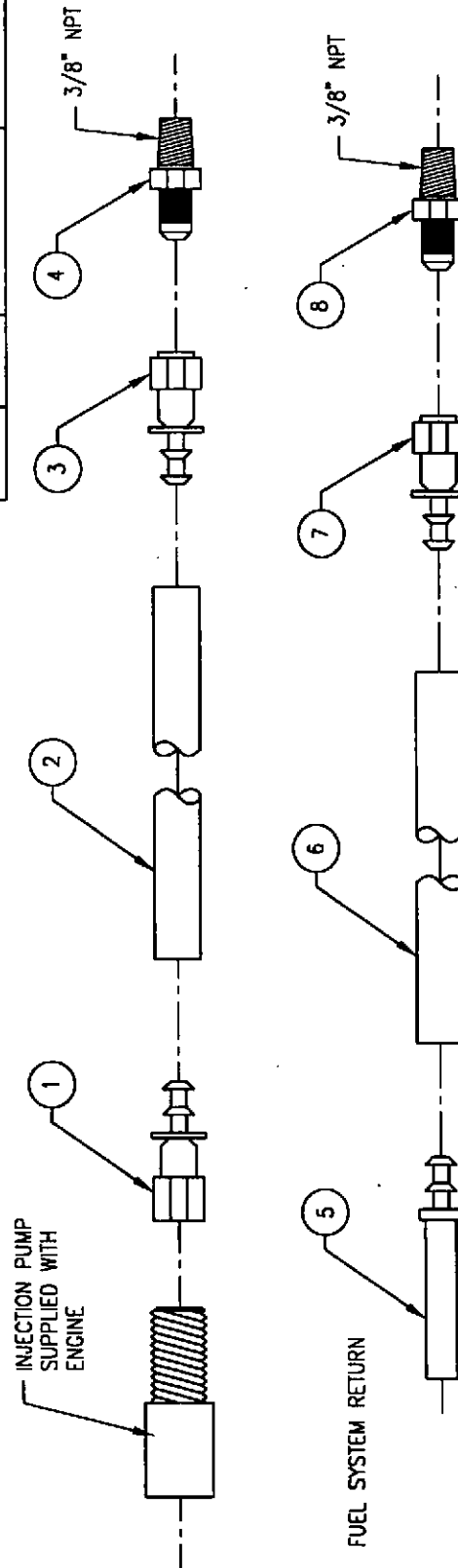
CHECK VALVE ASSEM. FOR WISCONSIN

SIZE DATE DWG NO 420-B-007

B 6-10-92 SCALE .6-1 PART NO DWR BY JJS SHEET 1 OF 1

BILL OF MATERIAL			
KEY	QTY	KL PART#	DESCRIPTION
1	1	32144	HOSE FITTING 4741-6B
2	9"	43314	FUEL LINE 2556-6
3	1	47510	HOSE FITTING 4739-6-6B
4	1	47473	ADAPTER 2000-6-6B
5	1	31059	STR. COMPRESSION 33483-4-4B
6	9"	43313	FUEL LINE 2556-4
7	1	47512	HOSE FITTING 4747-4-4B
8	1	49266	ADAPTER 2000-6-4B

FUEL SYSTEM INLET



FUEL SYSTEM RETURN

MODEL: JOHN DEERE 6081

KATOLIGHT
MANGATO, MINNESOTA

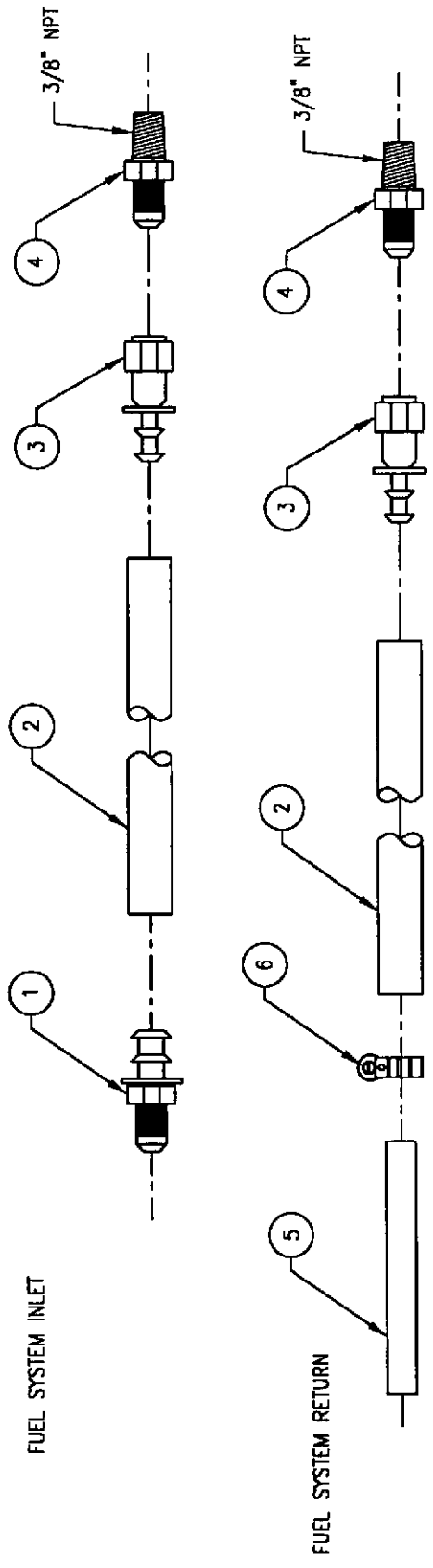
FUEL INLET AND RETURN ASSEMBLY

SIZE	B	DATE	2-18-94	DWG NO	420-B-015
SCALE	NTS	PART NO		DRN BY	MDJ
					SHEET 1 OF 1

REVISIONS:
1. DRAWN ON AUTOCAD 5-1-01 SAA

BILL OF MATERIAL

KEY	QTY	KL PART#	DESCRIPTION
1	1	47597	HOSE FITTING 4742-5-4
2	18"	43313	FUEL LINE 2556-4
3	2	47512	HOSE FITTING 4797-4-4B
4	2	49266	ADAPTER 2000-6-4B
5	3.5"		.25 O.D. SOFT COPPER TUBE
6	1	43350	HOSE CLAMP SIZE 1



MODEL: PERKINS 4.236, T4.236, T6.354, 1006-6TGI.



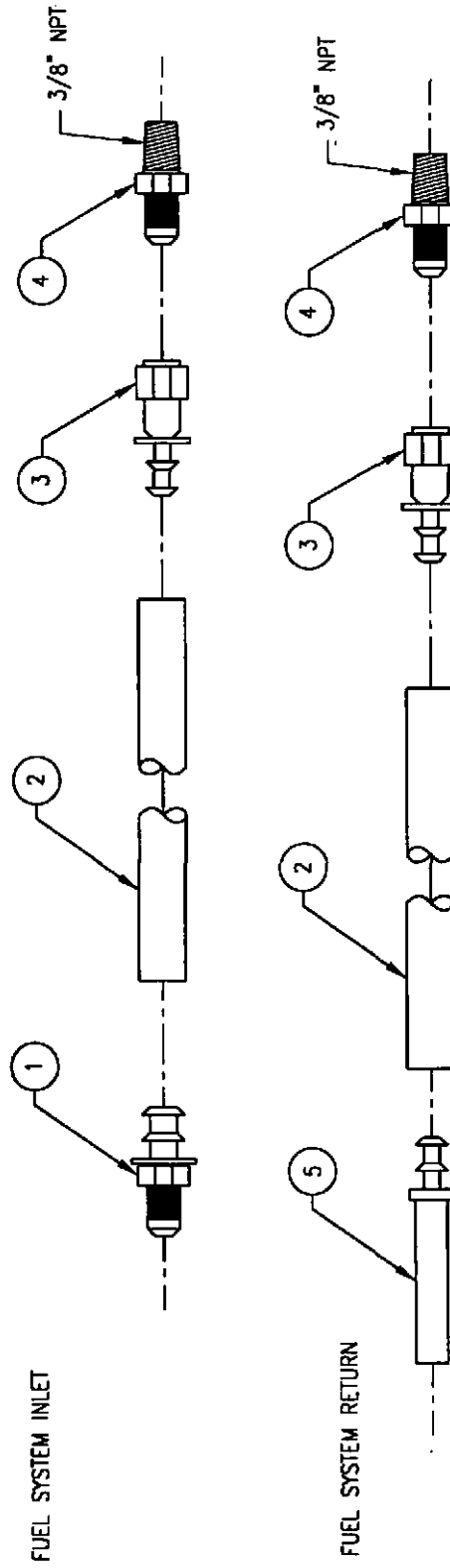
FUEL INLET AND RETURN ASSEMBLY

DATE	2-20-94	DWG NO	420-B-016
SIZE	B	PART NO	
SCALE	NTS		DRAWN BY MDB SHEET 1 OF 1

REVISIONS:
1. DRAWN ON AUTOCAD 5-1-01 SAA

BILL OF MATERIAL

KEY	QTY	KL PART#	DESCRIPTION
1	1	47503	HOSE FITTING 4738-2-4B
2	18"	43313	FUEL LINE 2556-4
3	2	47512	HOSE FITTING 4797-4-4B
4	2	49266	ADAPTER 2000-6-4B
5	1	31059	STR. COMPRESSION 33482-4-4B



MODELS: JOHN DEERE 4039T, 4045T, AND 6059T

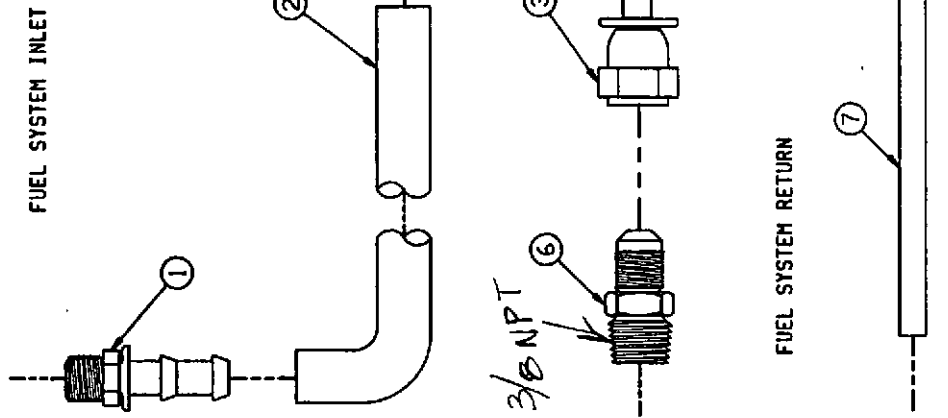
KATOLIGHT
MANKATO, MINNESOTA

FUEL INLET AND RETURN ASSEMBLY

SIZE	DATE	REV NO	420-B-017
B	2-20-94		
SCALE	NTS	PART NO	DRAWN BY MDB SHEET 1 OF 1

REVISIONS:
 1. REMOVED 2300 AND 3400 HERCULES FROM NOTE 3-28-94 MDB
 2. DRAWN ON AUTOCAD 5-1-01 SAA

BILL OF MATERIAL		
KEY	KL PART*	DESCRIPTION
1	47503	HOSE FITTING 4738-2-4B
2	43313	FUEL LINE 2556-4
3	47512	HOSE FITTING 4797-4-4B
4	47484	FITTING 2024-2-4
5	43313	FUEL LINE 2556-4
6	49266	ADAPTER 2000-6-4B
7	3.5"	.25 O.D. SOFT COPPER TUBE
8	43350	HOSE CLAMP SIZE 1

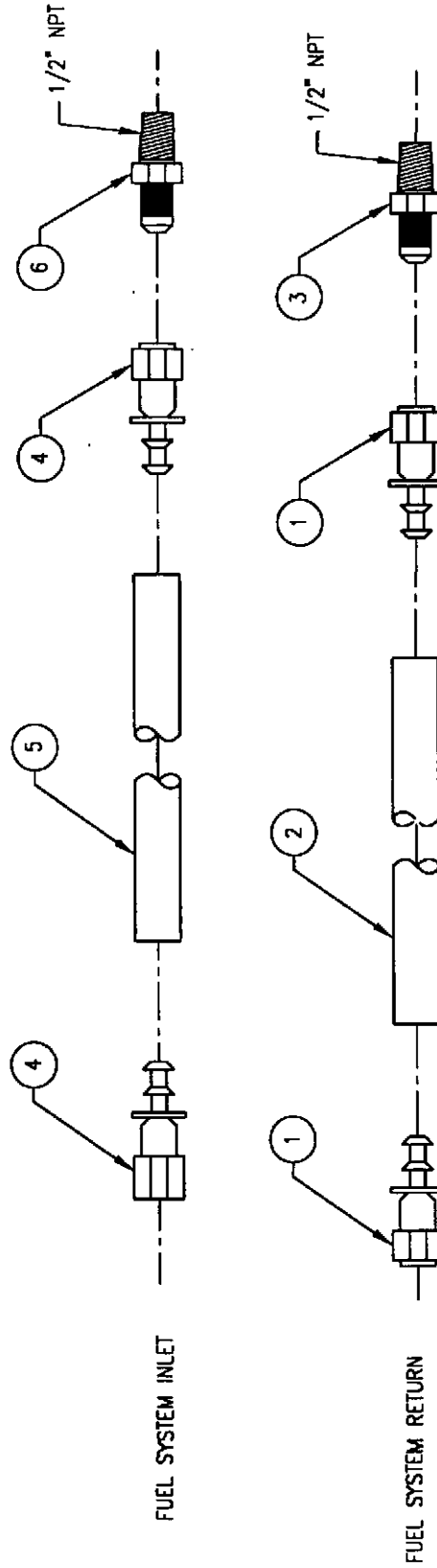


KATOLIGHT
 PARKATO, MINNESOTA

NOTES: FITS 4800 HERCULES
 & OBSOLETE

FUEL INLET AND RETURN ASSEMBLY	
SIZE DATE	DWG NO
B 2-22-94	420-B-018
SCALE NTS	PART NO
	OWN BY MDB
	SHEET 1 OF 1

BILL OF MATERIAL			
KEY	QTY	KL PART#	DESCRIPTION
1	2	47599	HOSE FITTING 4797-8-8B
2	9'	43315	FUEL LINE #8
3	1	48637	ADAPTER 2000-8-8B
4	2	47516	HOSE FITTINGS 4797-10-10B
5	9'	43316	FUEL LINE #10
6	1	47475	ADAPTER 2000-8-10



MODEL: CUMMINS: LTA10, 855, AND KTA19

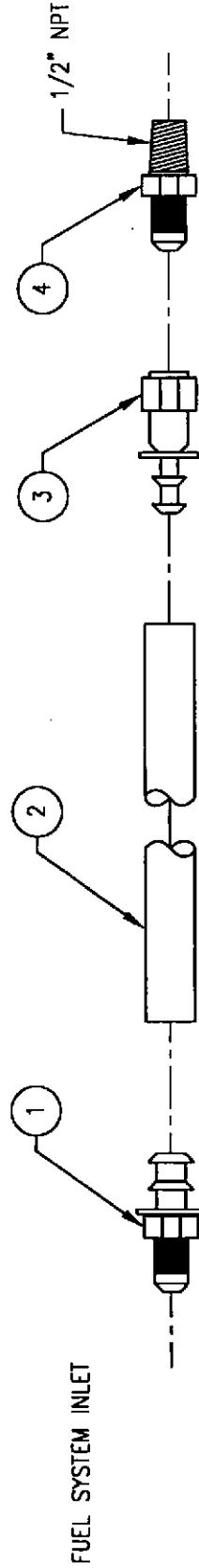
KATOLIGHT
MINNETONKA, MINNESOTA

FUEL INLET AND RETURN ASSEMBLY

DATE: 2-24-94
 SIZE: B
 DWG NO: 420-B-019
 SCALE: NTS
 PART NO: []
 SHEET 1 OF 1

REVISIONS:
 1. DRAWN ON AUTOCAD 5-1-01 SAA

BILL OF MATERIAL			
KEY	QTY	KL PART#	DESCRIPTION
1	1	47507	HOSE FITTING 4738-6-88
2	9"	43315	FUEL LINE #B
3	1	47599	HOSE FITTING 4797-8-88
4	1	49266	ADAPTER 2000-6-4B



MODEL: DETROIT 6V92TA AND 8V92TA

KATOLIGHT
MINNETONKA, MINNESOTA

FUEL INLET AND RETURN ASSEMBLY

SIZE B
DWG NO 420-B-020

SCALE NTS
PART NO 2-25-94

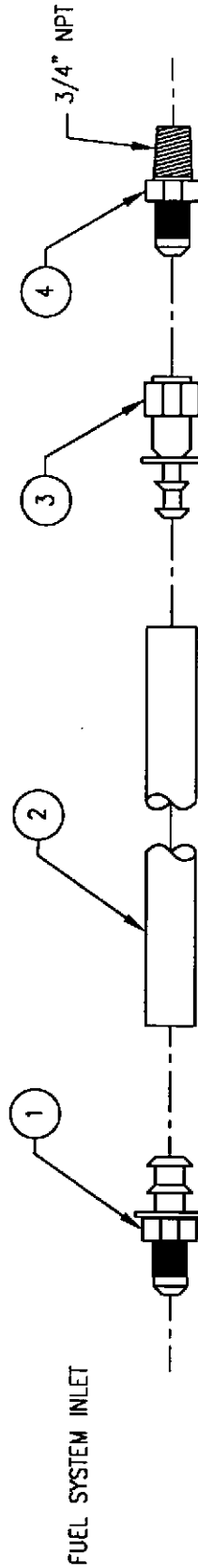
SHEET 1 OF 1
DRAWN BY MDB

REVISIONS:

1. CHANGED ILLUSTRATION OF #1 FITTING 3-28-94 MDB
2. DRAWN ON AUTOCAD 5-1-01 SAA

BILL OF MATERIAL

KEY	QTY	KL PART#	DESCRIPTION
1	1	47509	HOSE FITTING 4738-12-12B
2	9"	43317	FUEL LINE #12
3	1	48652	HOSE FITTING 4797-12-12B
4	1	47476	ADAPTER 2000-12-12B



MODEL: DETROIT 16V92TA (825 KW ONLY)



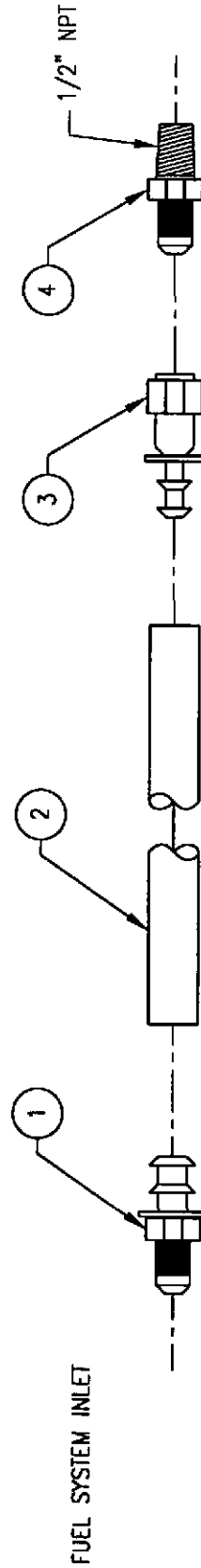
FUEL INLET AND RETURN ASSEMBLY

SIZE	DATE	DRG NO	420-B-021
B	2-25-94		
SCALE	N.T.S.	PART NO	DWN BY MDB SHEET 1 OF 1

- REVISIONS:
1. CHANGED ILLUSTRATION OF #1 FITTING 3-28-94 MDB
 2. DRAWN ON AUTOCAD 5-1-01 SAA

BILL OF MATERIAL

KEY	QTY	KL PART#	DESCRIPTION
1	1	47508	HOSE FITTING 4738-8-10B
2	9"	43316	FUEL LINE #10
3	1	47516	HOSE FITTING 4797-10-10B
4	1	47475	ADAPTER 2000-8-10B



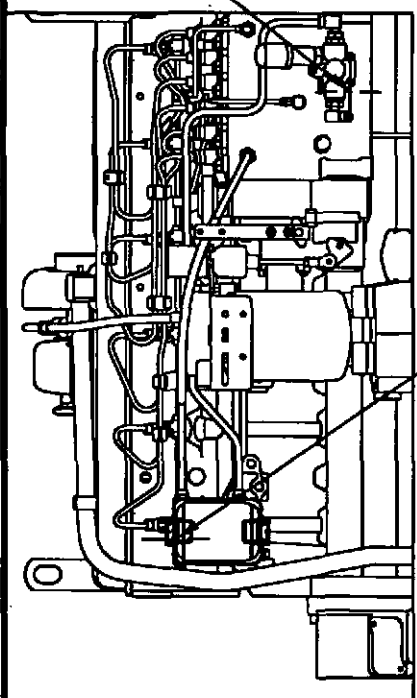
MODEL: DETROIT 12V71, 12V92 AND
16V92TA UP TO 750 KW.



FUEL INLET AND RETURN ASSEMBLY

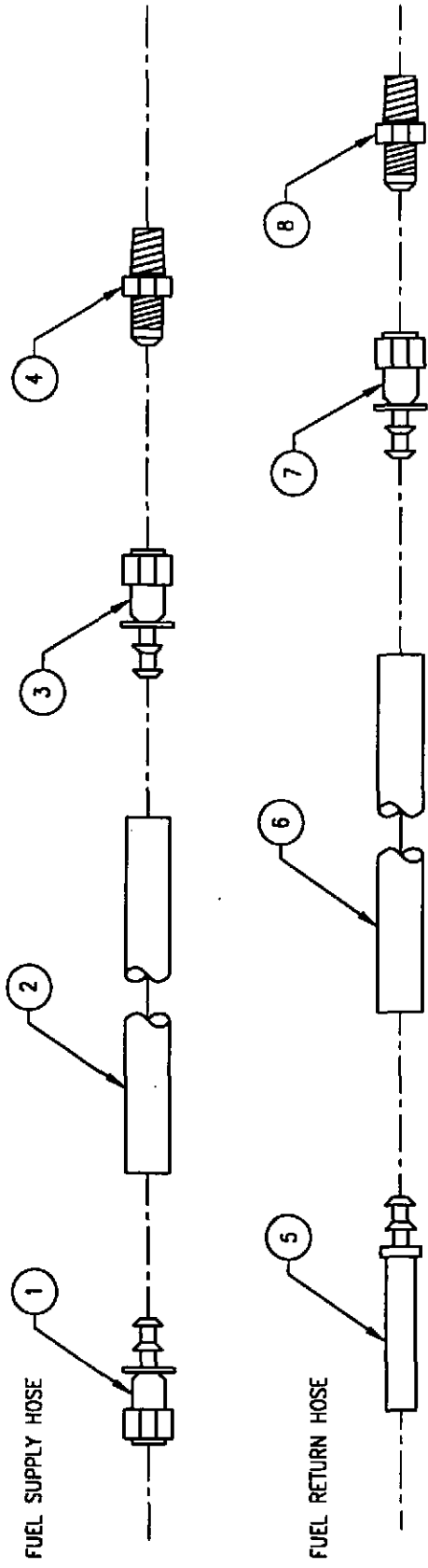
SIZE	DATE	DWG NO	420-B-022
B	2-25-94		
SCALE	NTS	PART NO	OWN BY MDE SHEET 1 OF 1

- REVISIONS:
1. CHANGED ILLUSTRATION OF #1 FITTING 3-28-94 MDB
 2. DRAWN ON AUTOCAD 5-1-01 SAA



BILL OF MATERIAL

KEY	QTY	KL PART#	DESCRIPTION
1	1		30682-6-68 #5 SWIVEL/BARB
2	1	43314	3/8" ID HOSE
3	1	47510	30882-6-68 #6 SWIVEL/BARB
4	1	47473	48F-6-6 #6 FLARE TO 3/8" NPT
5	1		33482-4-48 STR COMPRESSION
6	1	43313	1/4" I.D. HOSE
7	1	47512	30682-4-48 #4 SWIVEL/BARB
8	1	47471	48F-4-4 #4 FLARE TO 1/4" NPT

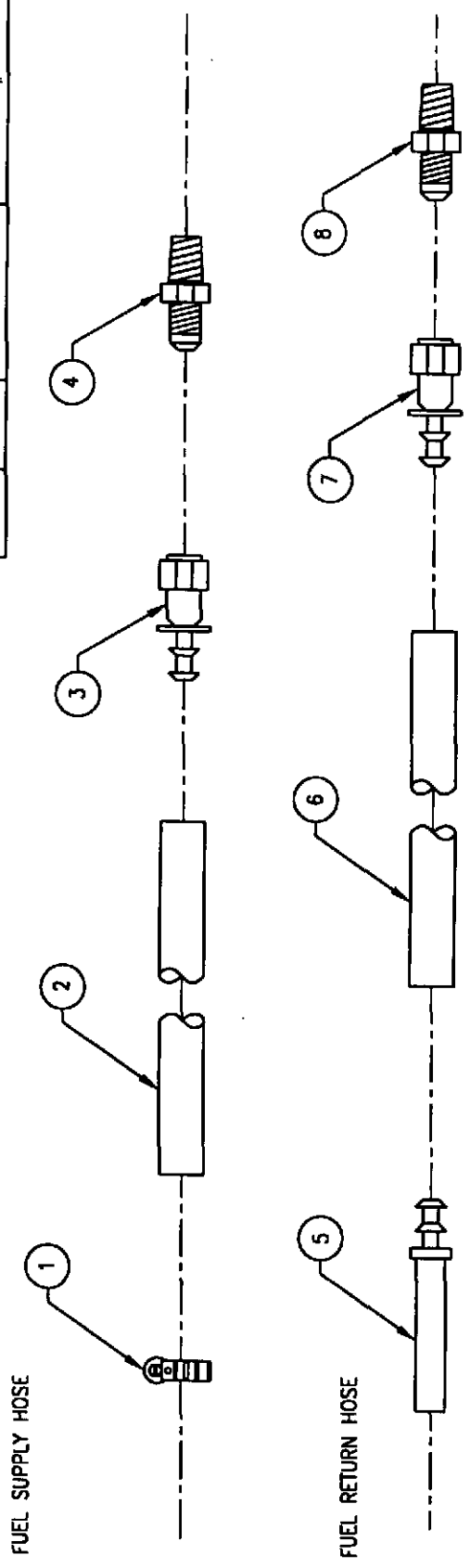
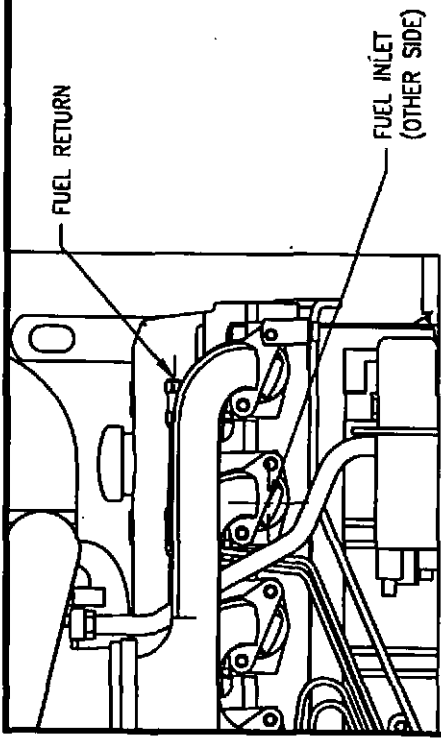


MODELS: ALL JOHN DEERE 6081



FUEL SUPPLY AND RETURN ASSEMBLY			
SIZE	DATE	DWG NO	
B	6-14-00		420-B-024
SCALE	NTS	PART NO	DWN BY SAA
			SHEET 1 OF 1

BILL OF MATERIAL			
KEY	QTY	KL PART#	DESCRIPTION
1	1	43350	HOSE CLAMP #1
2	1	43314	3/8" ID HOSE
3	1	47510	30882-6-6B #6 SWIVEL/BARB
4	1	47473	48F-6-6 #6 FLARE TO 3/8" NPT
5	1		33482-4-4B STR COMPRESSION
6	1	43313	1/4" ID HOSE
7	1	47512	30682-4-4B #4 SWIVEL/BARB
8	1	47471	48F-4-4 #4 FLARE TO 1/4" NPT

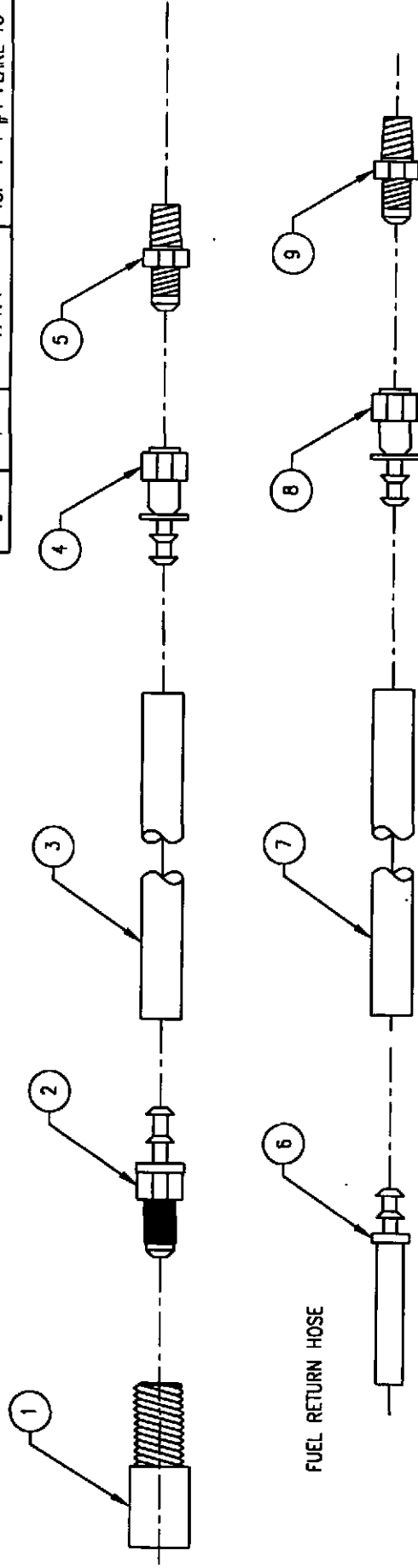
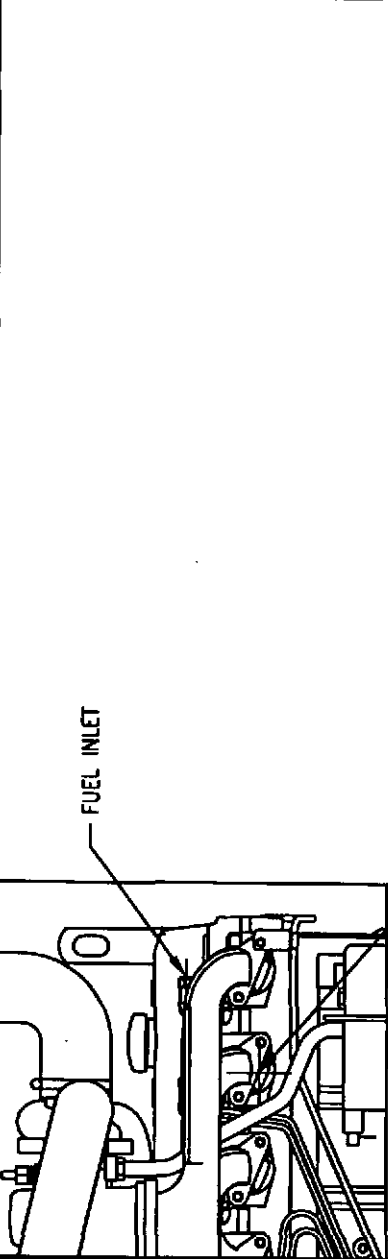


MODELS: 6068 JD AND 4045 JD EXCEPT 6068 HF



FUEL SUPPLY AND RETURN ASSEMBLY	
SIZE	DWG NO
B	6-14-00
SCALE	PART NO
NTS	420-B-025
DRAWN BY SAA	
SHEET 1 OF 1	

BILL OF MATERIAL			
KEY	QTY	KL PART#	DESCRIPTION
1	1	70763	14 MM X 1/4" PIPE ADAPTER
2	1	47505	30182-4-6B 1/4" NPT
3	1	43314	3/8 I.D. HOSE
4	1	47510	30882-6-6B #6 SWIVEL
5	1	47473	48F-6-6 #6 FLARE TO 3/8" NPT
6	1		33482-4-4B STRAIT COMPRESSION
7	1	43313	1/4" I.D. HOSE
8	1	47512	30682-4-4B #4 SWIVEL/BARB
9	1	47471	48F-4-4 #4 FLARE TO 1/4" NPT



FOR 6068HF 125 KW UNITS



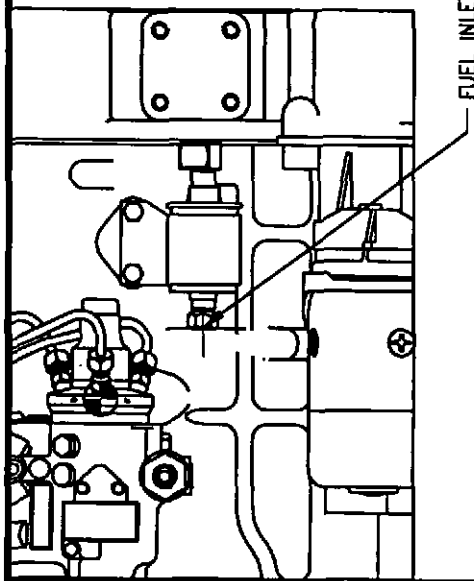
MINNETONKA, MINNESOTA

FUEL SUPPLY AND RETURN ASSEMBLY

SIZE B DATE 6-14-00 DWG NO 420-B-026

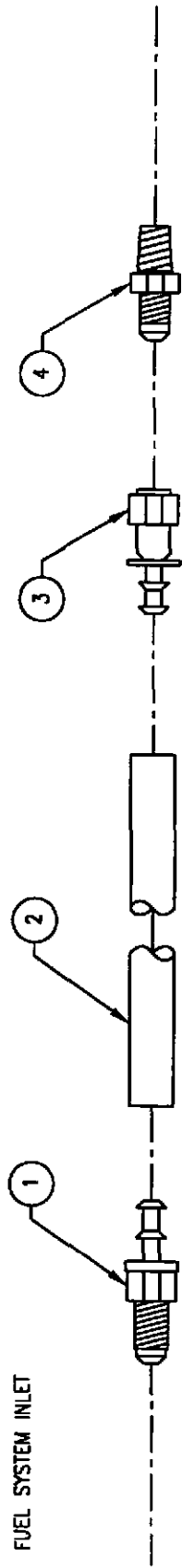
SCALE NTS PART NO DWG BY SAA SHEET 1 OF 1

NOTES:
1. OLD STYLE 125KW CHARGED AIR

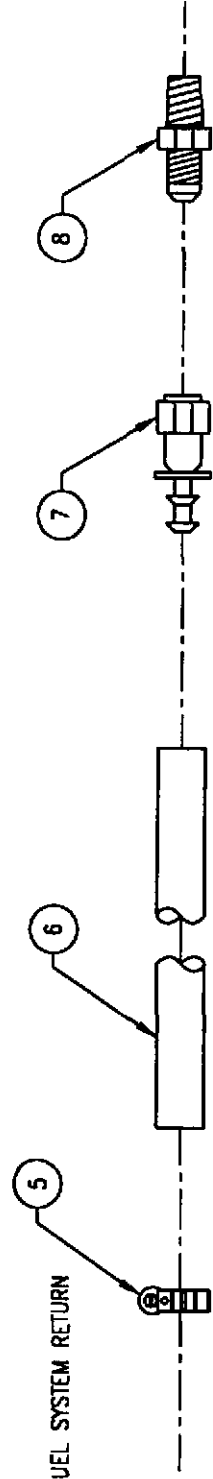


BILL OF MATERIAL		QTY	KL PART#	DESCRIPTION
1	1	55325	32882-6-6	
2	1	43314	9" HOSE 3/8" ID	
3	1	47510	30882-6-6B #6 SWIVEL/BARB	
4	1	47473	48F-6-6 #6 FLARE TO 3/8" NPT	
5	1	43350	HOSE CLAMP #1	
6	1	43313	9" HOSE 1/4 ID	
7	1	47512	30682-4-4B #4 SWIVEL/BARB	
8	1	47471	48F-4-4 #4 FLARE TO 1/4" NPT	

FUEL SYSTEM INLET



FUEL SYSTEM RETURN

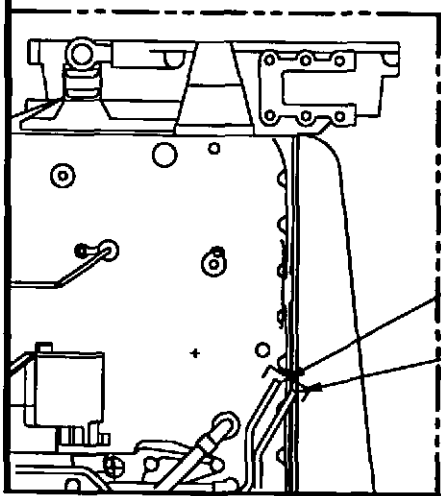


MODELS: CONTINENTAL

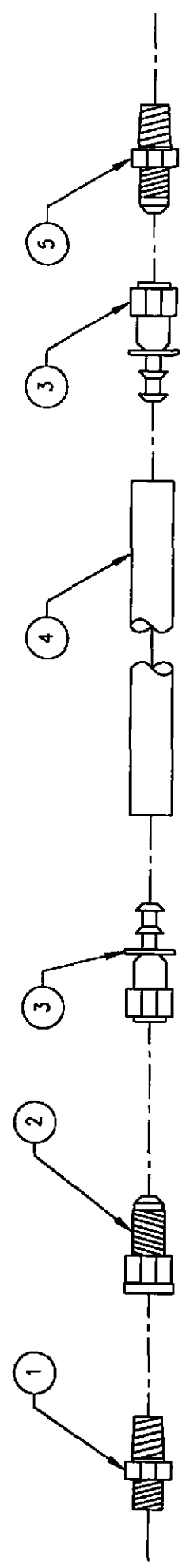


FUEL INLET AND RETURN ASSEMBLY

SIZE	DATE	DWG NO	420-B-027
B	6-14-00		
SCALE	N.T.S.	PART NO.	DWG BY SAA
			SHEET 1 OF 1



BILL OF MATERIAL		
KEY	QTY	DESCRIPTION
1	1	10 MM TUBE X 3/8" NPT MALE
2	1	6" FLARE MALE - 3/8" NPT FEMALE
3	2	30882-6-68 #6 SWIVEL/BARB
4	1	48F-6-6 #6 FLARE TO 3/8" NPT
5	1	6" FLARE TO 3/8" NPT MALE



FUEL SYSTEM INLET

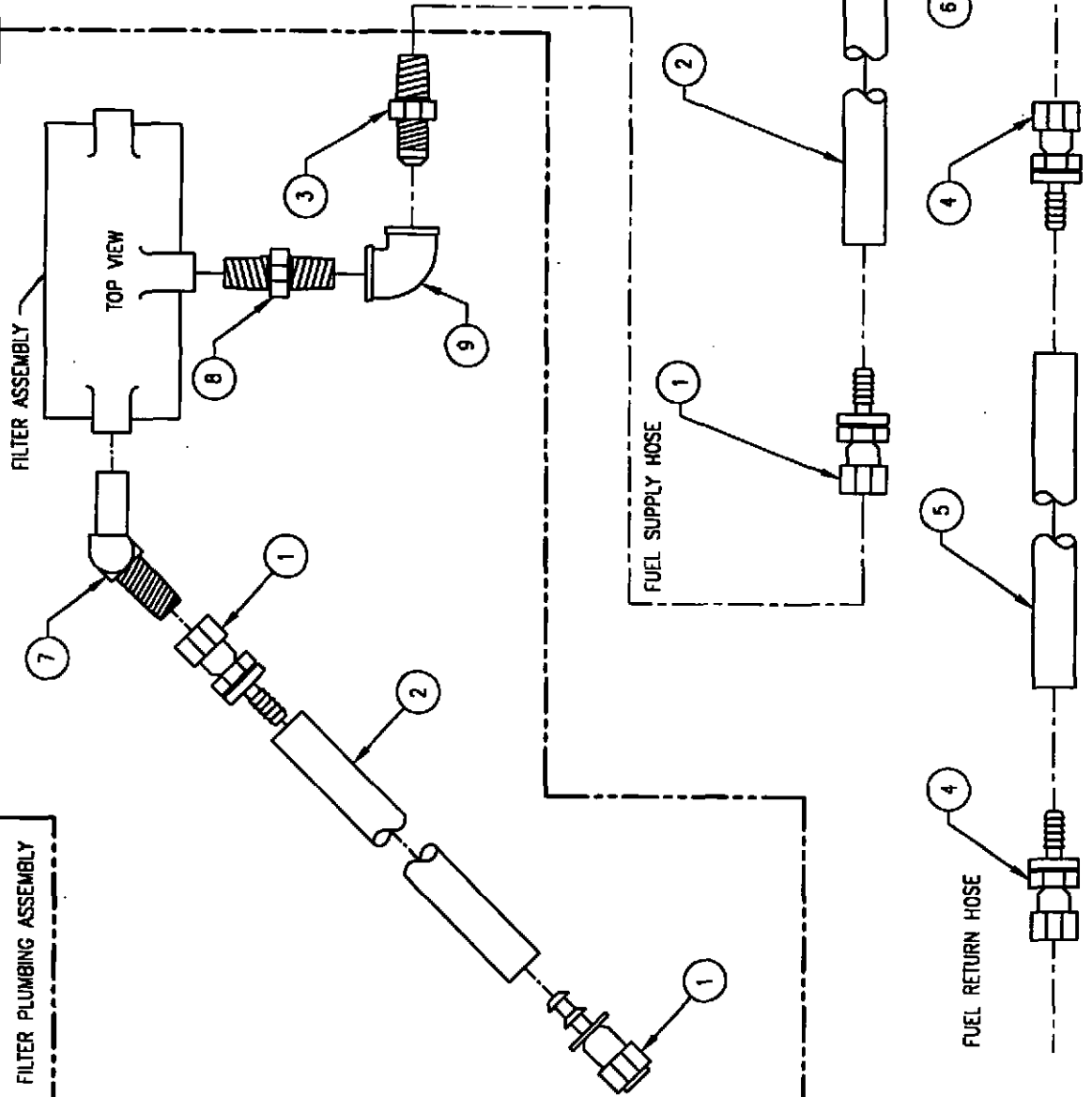
MODELS: ALL VOLVOS

KATOLIGHT
 WABASH, MINNESOTA

FUEL SUPPLY ASSEMBLY

DATE: 6-14-00
 SCALE: B
 PART NO: 420-B-028
 DRAWN BY: SAA
 SHEET 1 OF 1

BILL OF MATERIAL			
KEY	QTY	KL PART#	DESCRIPTION
1	2	72532	1SA16FJ16 #16 SWIVEL 1" HOSE
2	4' W/O TANK 8' W/TANK	72511	1" ID HOSE
3	2	72777	2021-16-16S 1" NPT M/16# M
4	2	47511	#12 SWIVEL - #12 BARB
5	1	43317	3/4" ID HOLE
6	1	72778	48F-12-12
7	1	72745	2023-16-16S #16 M TO 1" NPT 45° ELBOW
8	1	47530	1" NPT CLOSE NIPPLE
9	1	47427	1" NPT 90° ELBOW



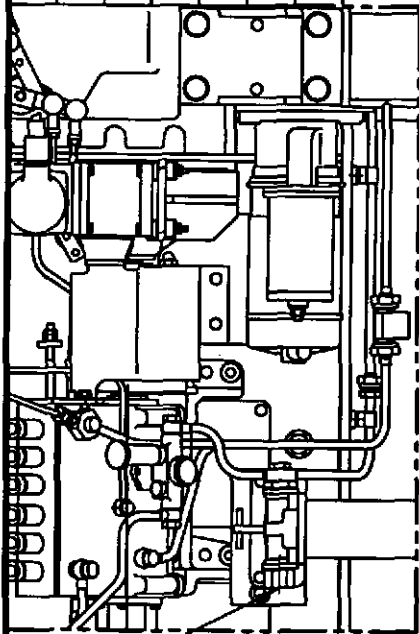
MODELS: FOR 1600, 1750, 2000 KW DETROITS



MAUKATO, MINNESOTA

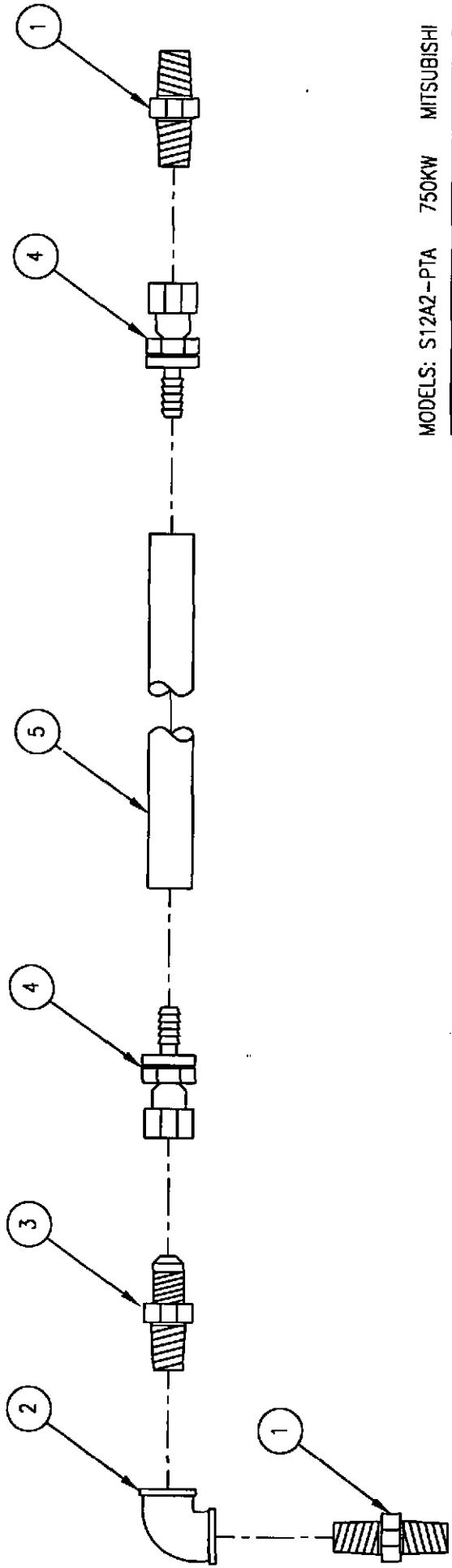
FUEL SUPPLY AND RETURN ASSEMBLY

SIZE	DATE	ENG NO	OWN BY	SAA	SHEET	1 OF 1
B	6-14-00	420-B-029				
SCALE	NTS	PART NO				



FUEL INLET

FUEL SYSTEM INLET



BILL OF MATERIAL

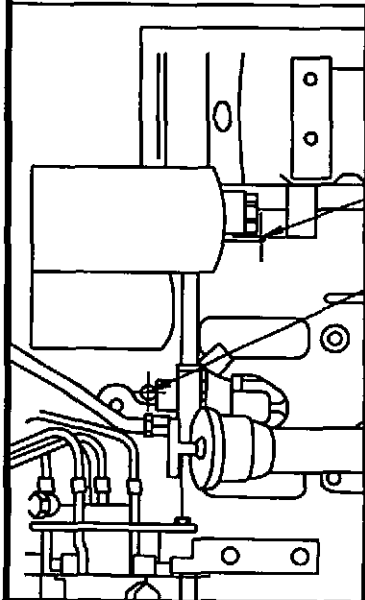
KEY	QTY	KL PART#	DESCRIPTION
1	2	47476	3/4" NPT M/ #12 FLARE MALE
2	2	47426	3/4" NPT 90° ELBOW
3	1	47418	3/4" NPT X CLOSE
4	2	47511	#12 SWIVEL - #12 BARB
5	2	72511	1" ID HOSE 30°

MODELS: S12A2-PTA 750KW MITSUBISHI



FUEL SUPPLY ASSEMBLY

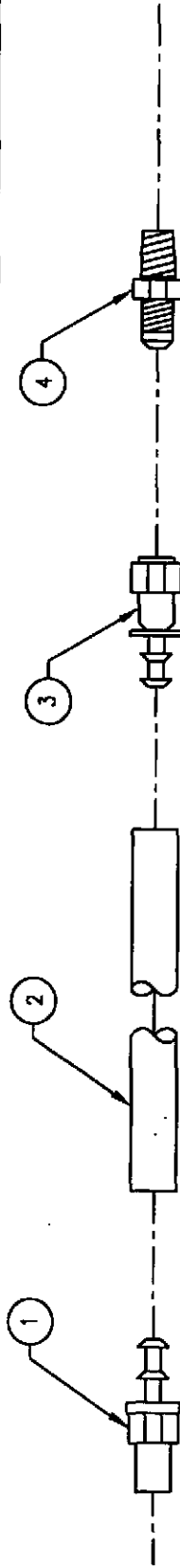
SIZE	DATE	DWG NO	420-B-030
B	6-14-00		
SCALE	NTS	PART NO	DWN BY SAAJ SHEET 1 OF 1



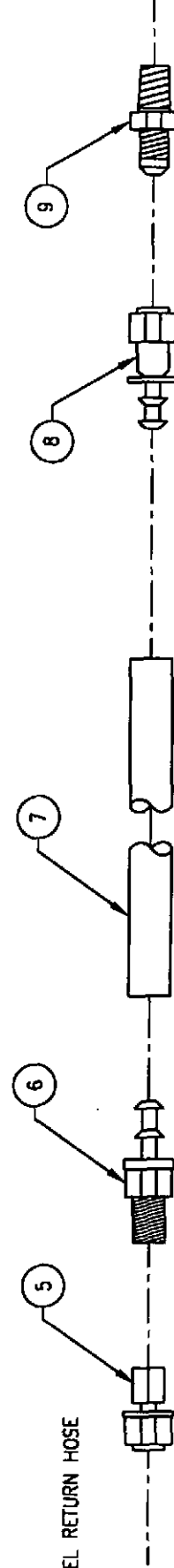
BILL OF MATERIAL

KEY	QTY	KL PART#	DESCRIPTION
1	1	47505	30182-4-6B 1/4" NPT-#6 BARB
2	1	43314	3/8" ID HOSE
3	1	47510	30882-6-6B 6" FEMALE SWIVEL
4	1	47473	48F-6-6 #6 FLARE TO 3/8" NPT
5	1	57052	1/8" NPT FEMALE TO 3/16" TUBE
6	1	47503	30182-2-4B 1/8" NPT MALE
7	1	43313	1/4" ID HOSE
8	1	47512	30682-4-4B #4 FEMALE SWIVEL
9	1	47471	48F-4-4-#4 FLARE TO 1/4" NPT

FUEL SUPPLY HOSE



FUEL RETURN HOSE

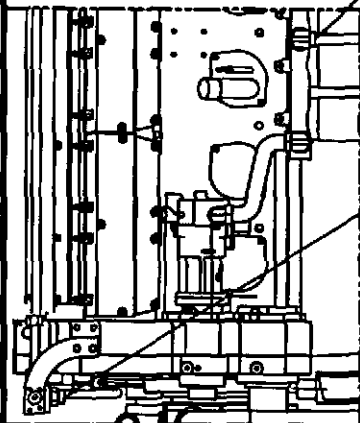


MODELS: 4BT3.9C/ 6BT5.96/ 6CT8.3 CUMMINS

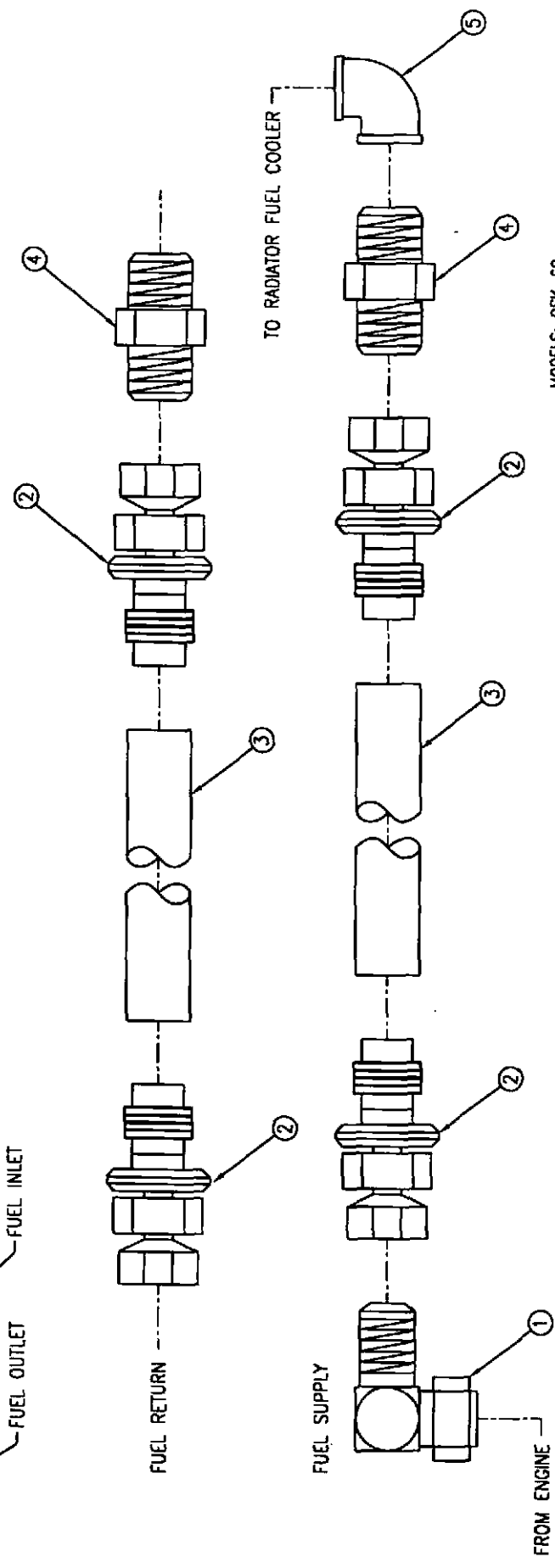


FUEL SUPPLY AND RETURN ASSEMBLY

SIZE	DATE	DWG. NO.	420-B-031
B	6-14-00		
SCALE	NTS	PART. NO.	OWN BY SAA



BILL OF MATERIAL		KL PART#	DESCRIPTION
KEY	QTY		
1	1	74381	#16 FEM 37 TO #16 MALE 37
2	4	72532	#16 FM SWIVEL TO 1" HOSE BARB
3	2	72511	1" ID HOSE
4	2	72777	1" NPT MALE PIPE TO #16 MALE
5	1		1" PIPE ELBOW



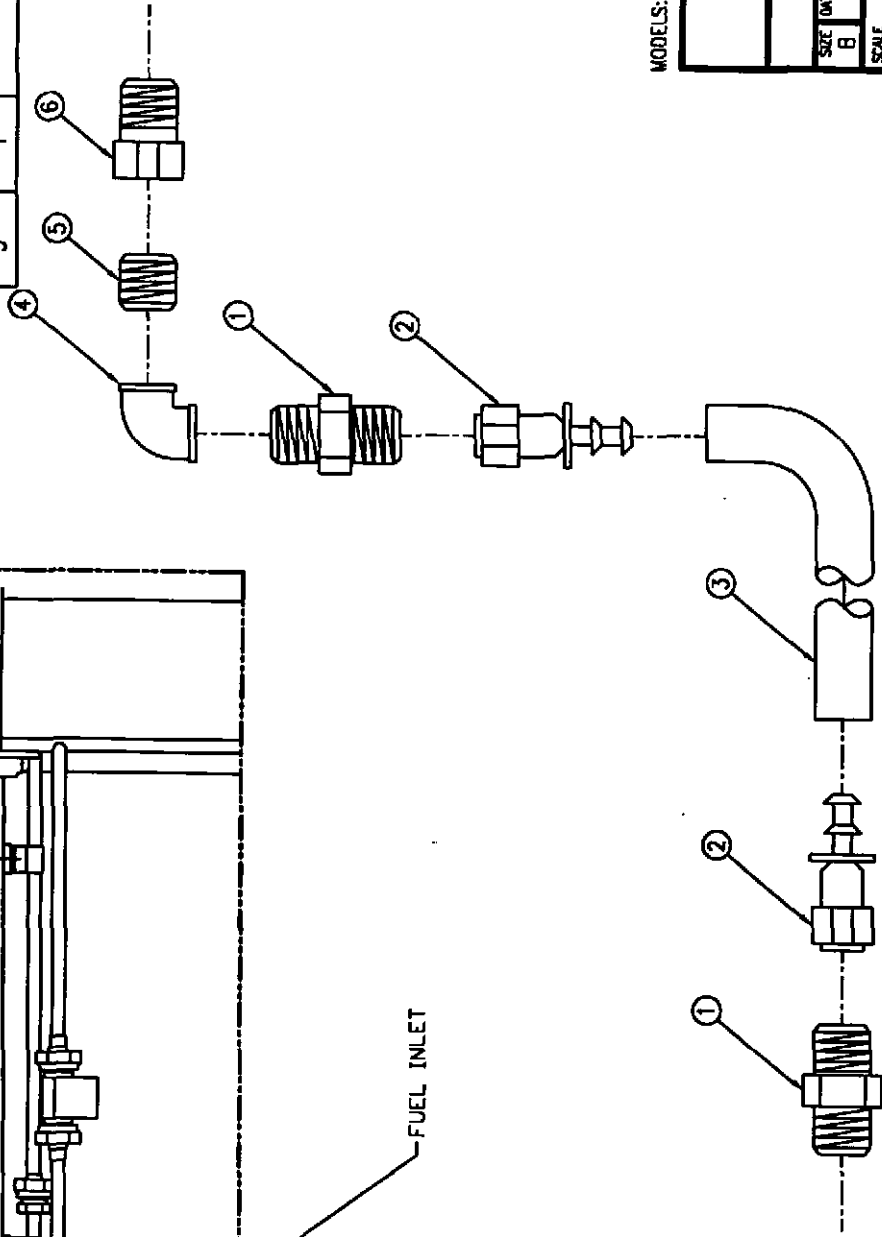
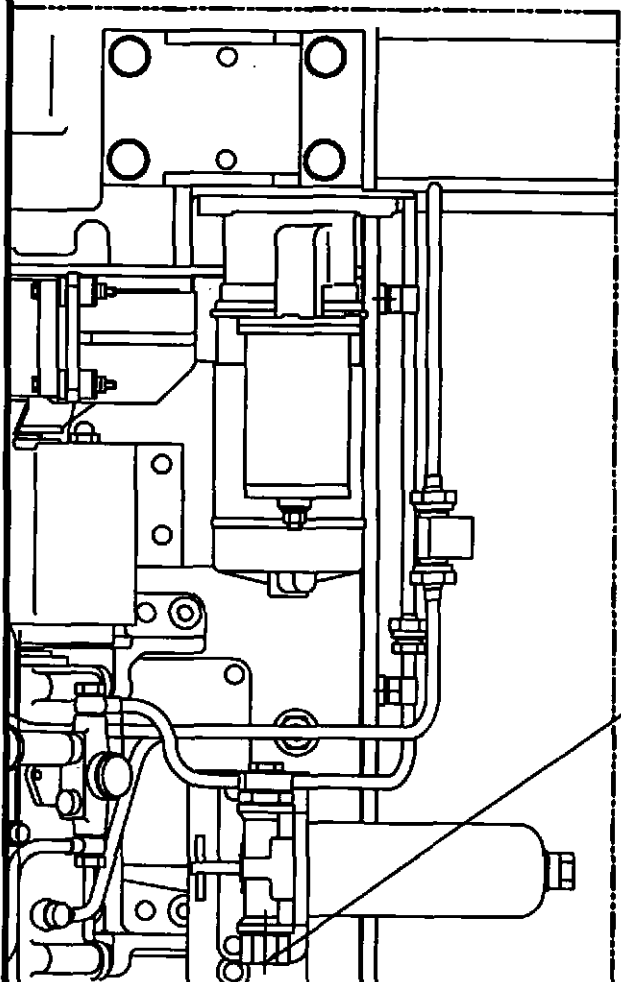
MODELS: QSK-60



FUEL SUPPLY AND RETURN ASSEMBLY

SIZE	DATE	DWG NO	
B	10-13-00	420-B-033	
SCALE	1=1	PART NO	DWN BY SAA SHEET 1 OF 1

BILL OF MATERIAL		
KEY	QTY	DESCRIPTION
1	2	3/4" NPT MALE TO #12 MALE FLARE
2	2	#12 SWIVEL TO 3/4" HOSE
3	1	3/4" HOSE
4	1	3/4" 90° ELBOW
5	1	3/4" CLOSE
5	1	O-RING FITTING W/ENGINE



FUEL INLET

MODELS: S12A2-PTA (750KW)



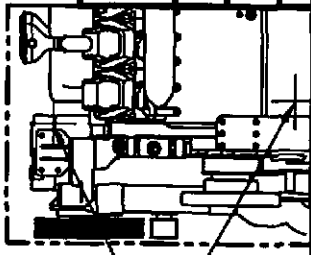
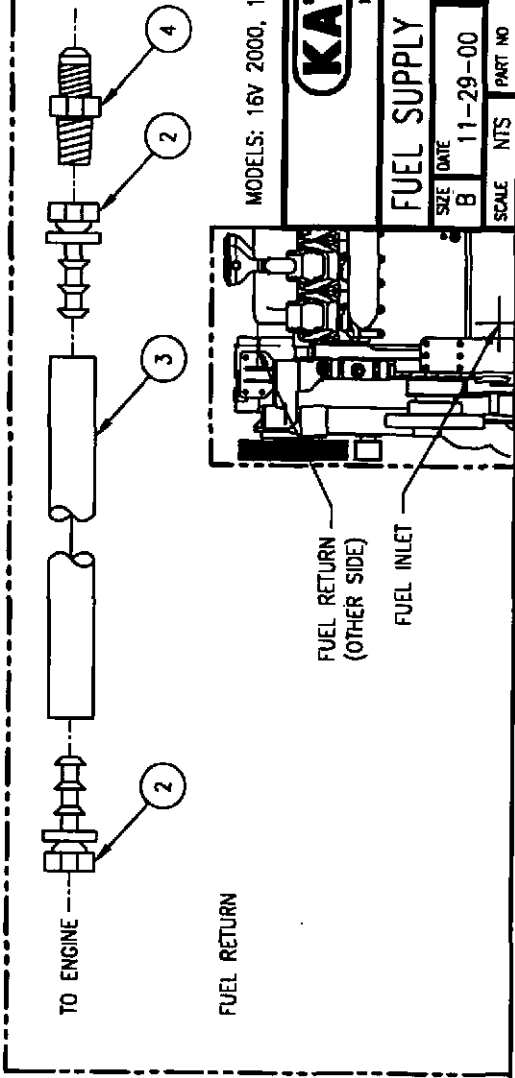
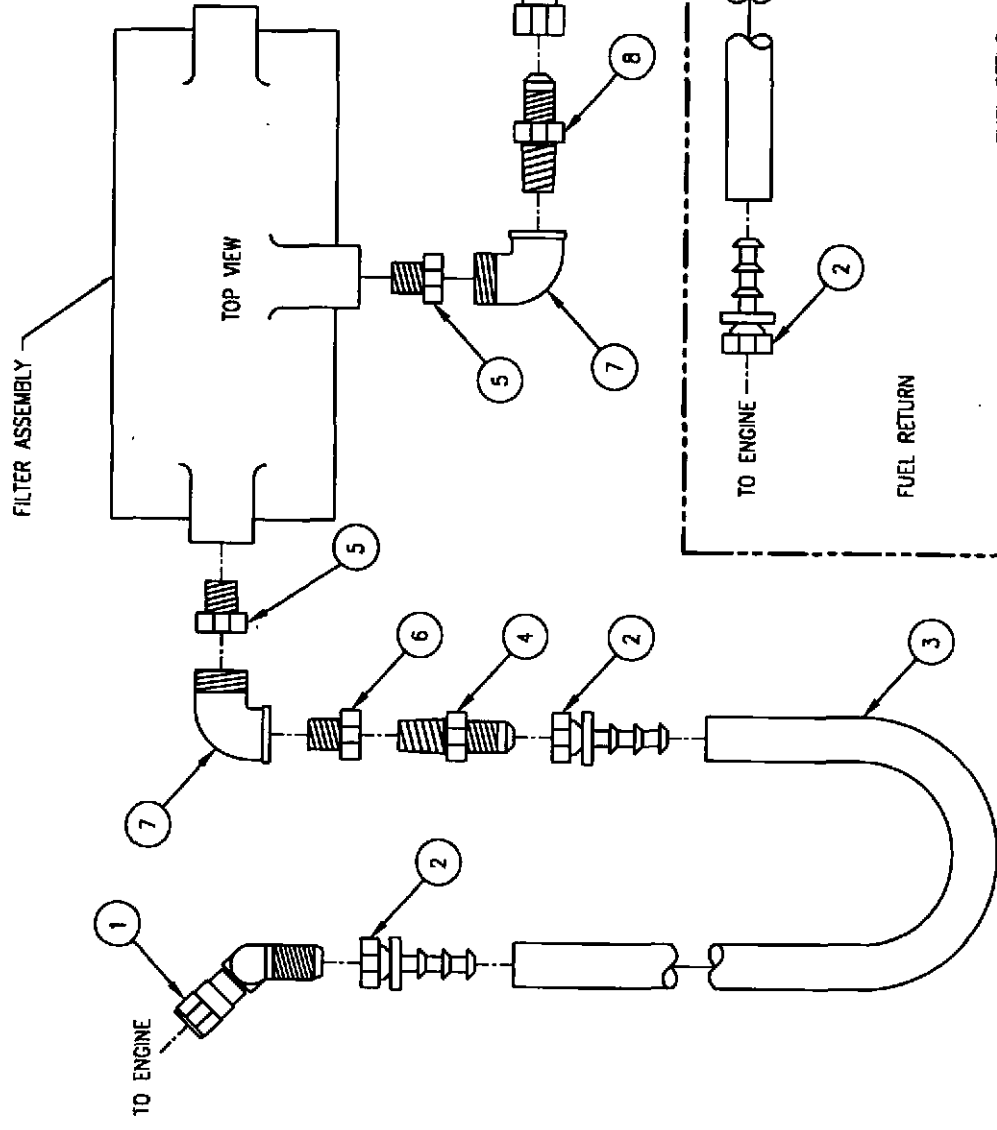
FUEL RETURN ASSEMBLY

SIZE	DATE	DWG NO	420-B-034
B	10-13-00		
SCALE	1=1	PART NO	DWR BY SAA SHEET 1 OF 1

NOTES:
1. NO RETURN LINE ON ENGINE

BILL OF MATERIAL

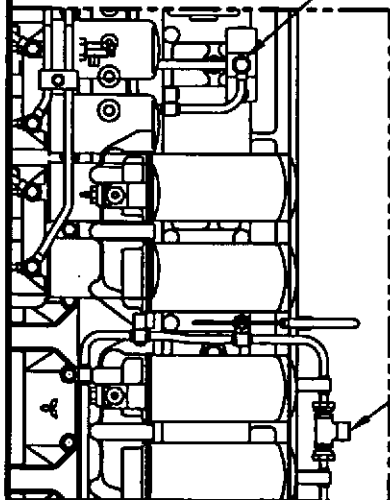
KEY	QTY	KL PART#	DESCRIPTION
1	1	72550	#10 37° FEM TO #10 37° MALE-45° ELBOW
2	6	47516	#10 FEMALE SWIVEL TO 5/8" ID HOSE
3	5'	43316	HOSE 5/8" ID
4	3	47475	1/2" - 4 MALE PIPE TO 7/8" - 14" MALE
5	2	48547	BUSHING PIPE 1" X 3/4" NPT
6	2	48546	BUSHING PIPE 3/4" X 1/2" NPT
7	2	48523	3/4" NPT 90° SCHED 40 BLK IRON PIPE
8	2	47476	3/4"-14 MALE PIPE TO 1 1/16"-12" MALE
9	2	47511	#12 FEM SWIVEL TO 3/4" ID HOSE
10	5'	43317	HOSE 3/4" ID



MODELS: 16V 2000, 12V 2000 (600-1000 KW)

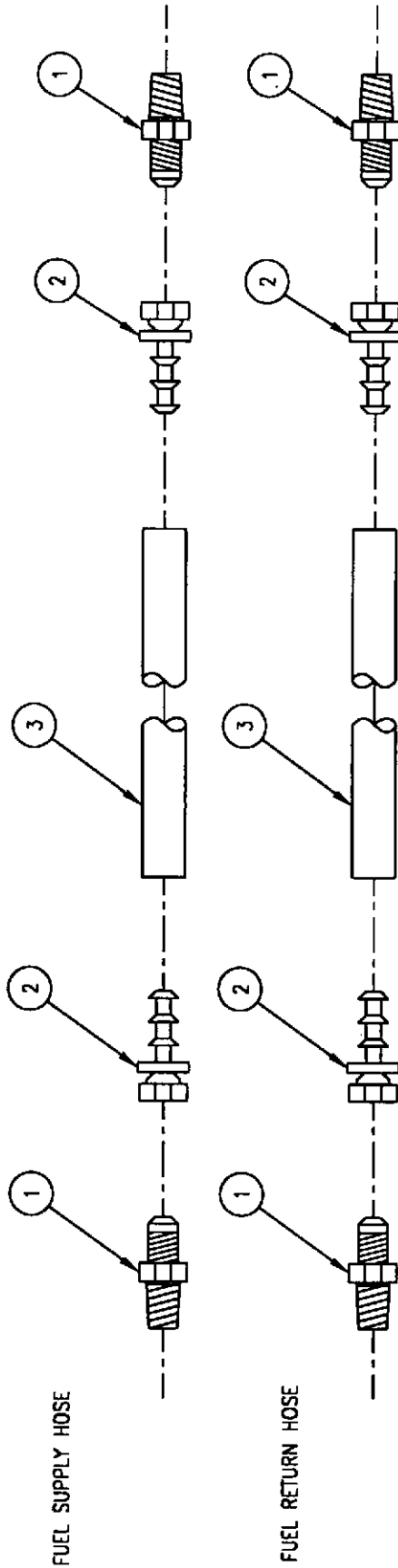


FUEL SUPPLY AND RETURN ASSEMBLY
 SIZE DATE 11-29-00
 B
 SCALE NTS PART NO
 DWG NO 420-B-035
 OWN BY SAA SHEET 1 OF 1



FUEL INLET

FUEL RETURN



FUEL SUPPLY HOSE

FUEL RETURN HOSE

BILL OF MATERIAL

KEY	QTY	KL PART#	DESCRIPTION
1	4	47475	1/2"-4 MALE PIPE TO 7/8"-14 MALE
2	4	47516	#10 FEM SWIVEL TO 5/8" ID HOSE
3	2	43316	HOSE 5/8" ID

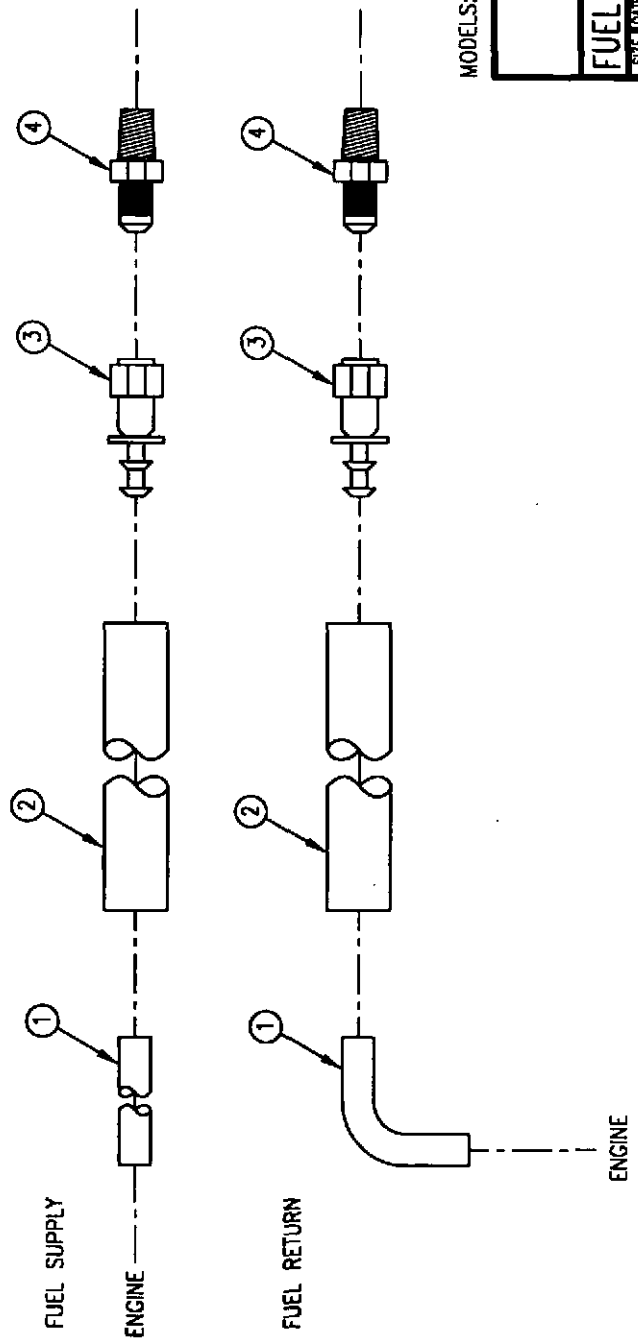
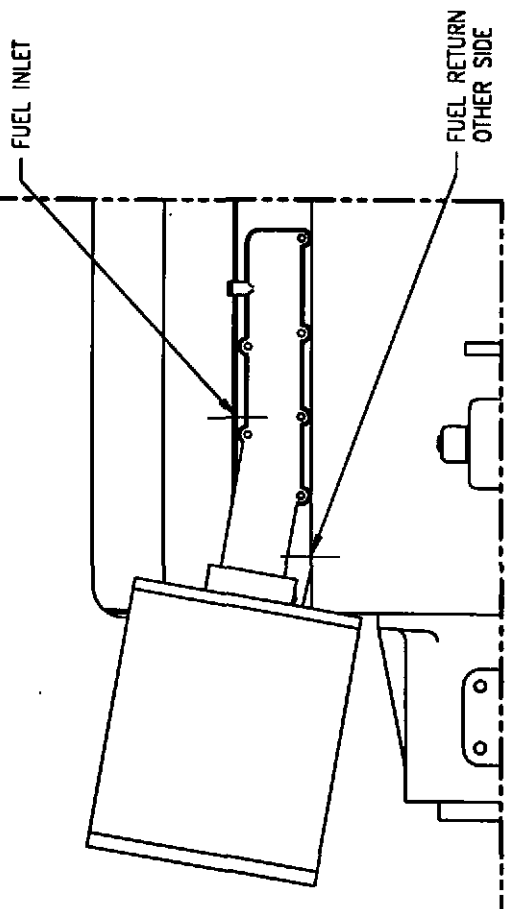
MODELS: S12HPTA 1000KW MITSU



FUEL SUPPLY AND RETURN ASSEMBLY

SIZE	DATE	DWG NO	420-B-036
B	1-8-01		
SCALE	NTS	PART NO	OWN BY SAA SHEET 1 OF 1

BILL OF MATERIAL			
KEY	QTY	KL PART#	DESCRIPTION
1	2	--	1/4" O.D. HOSE
2	2	43313	1/4" I.D. HOSE
3	2	47512	HOSE FITTING 30682-4-4B
4	2	47485	ADAPTER 2103-4-4



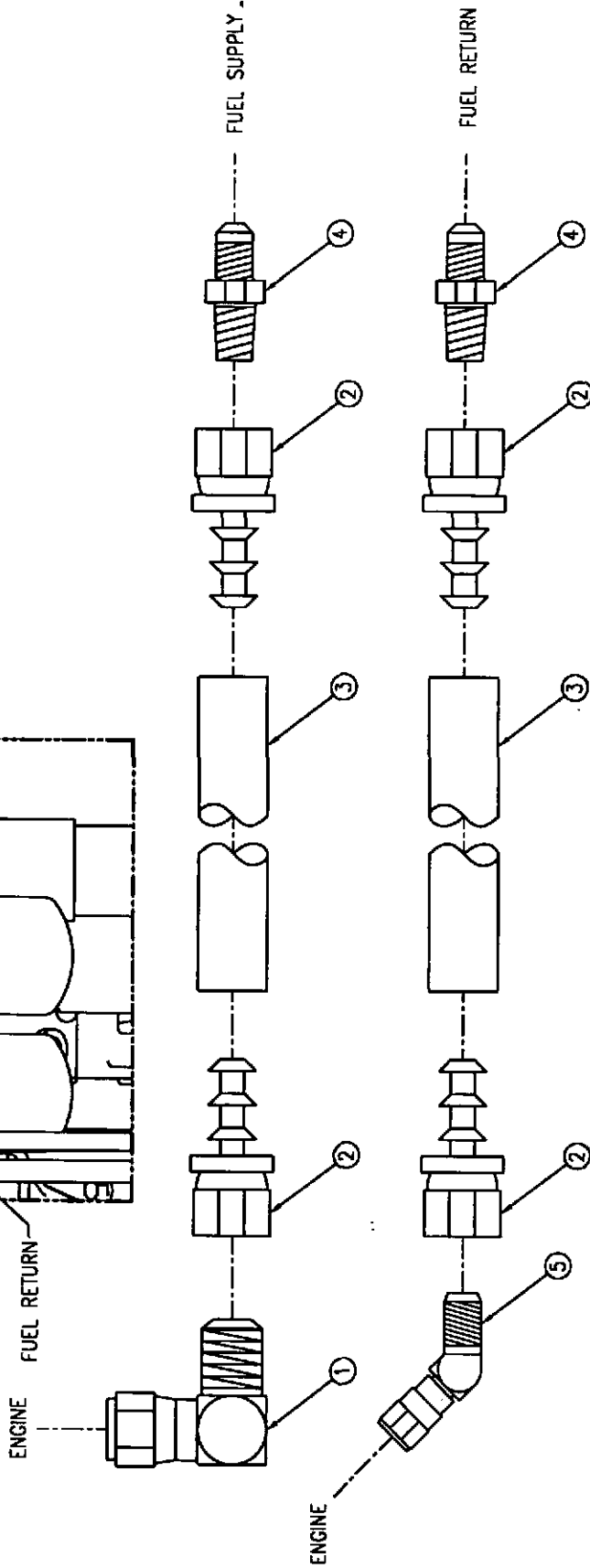
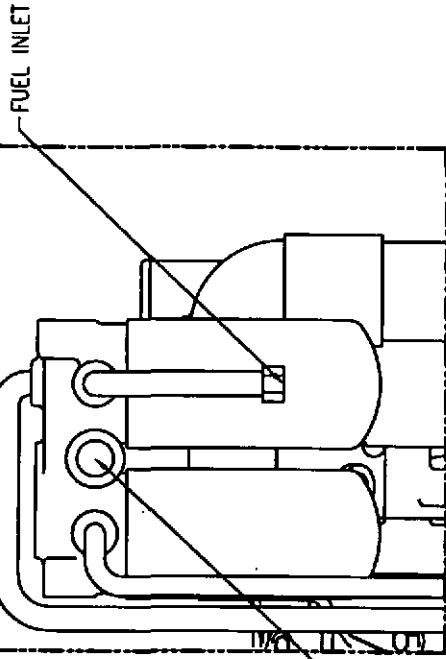
MODELS: 3.1524 PERKINS (20-25KW)



FUEL INLET AND RETURN ASSEMBLY			
SIZE	DATE	DWG NO	
B	3-14-01	420-B-037	
DRAWN TO SCALE		PART NO	OWN BY SAA
			SHEET 1 OF 1

BILL OF MATERIAL

KEY	QTY	KL PART#	DESCRIPTION
1	1	74790	ADAPTER 2071-10-10S
2	4	47516	HOSE FITTING 4797-10B
3	2	43316	5/8" I.D. HOSE
4	2	47475	ADAPTER 2000-8-10B



MODELS: 8V-2000 DETROIT (450-500KW)

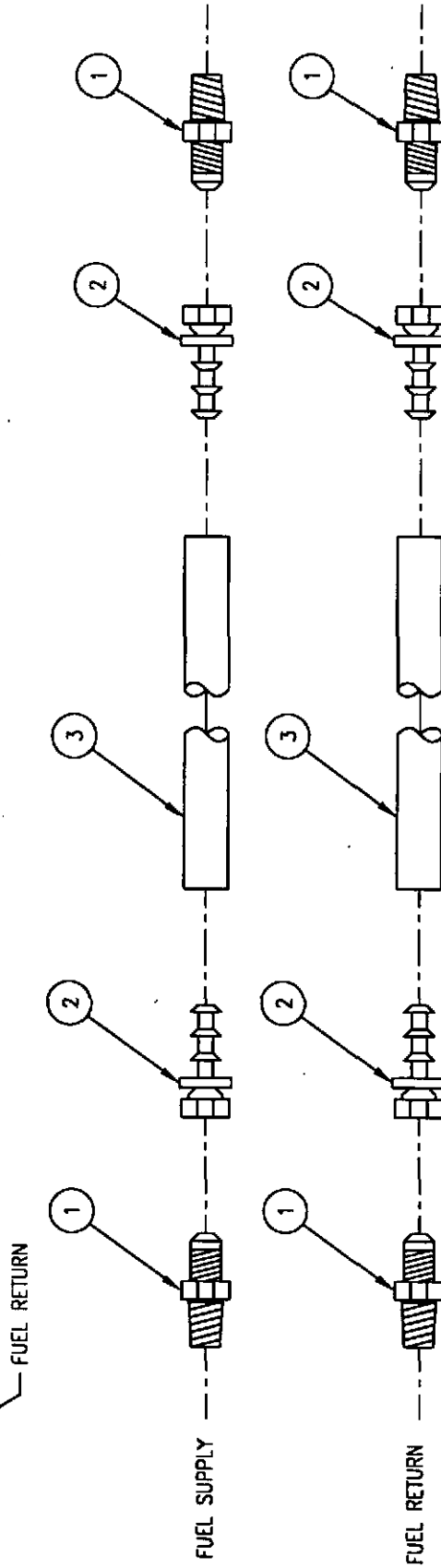
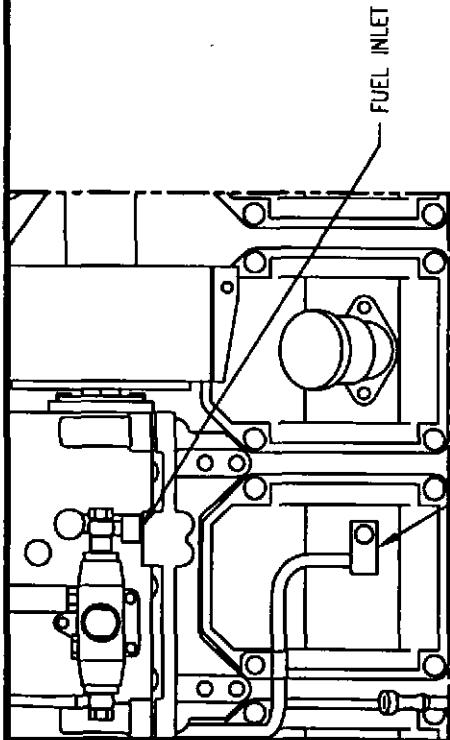


FUEL SUPPLY AND RETURN ASSEMBLY

SIZE (DATE) 3-14-01
 B

DRAWN TO SCALE PART NO. 420-B-038
 DWN BY SAA SHEET 1 OF 1

BILL OF MATERIAL			
KEY	QTY	KL PART#	DESCRIPTION
1	4	47474	ADAPTER 48F-8-6
2	4	47514	HOSE FITTING 4797-8B
3	2	43315	1/2" I.D. HOSE



MODELS: S6R-PTA MITSUBISHI (600KW)

KATOLIGHT
MARSHAD, MINNESOTA

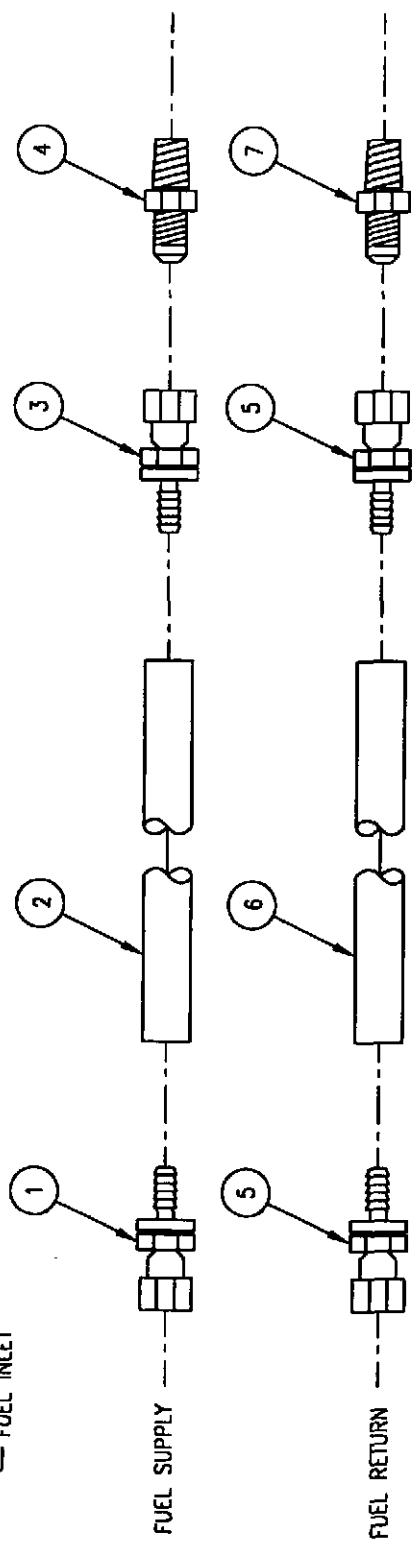
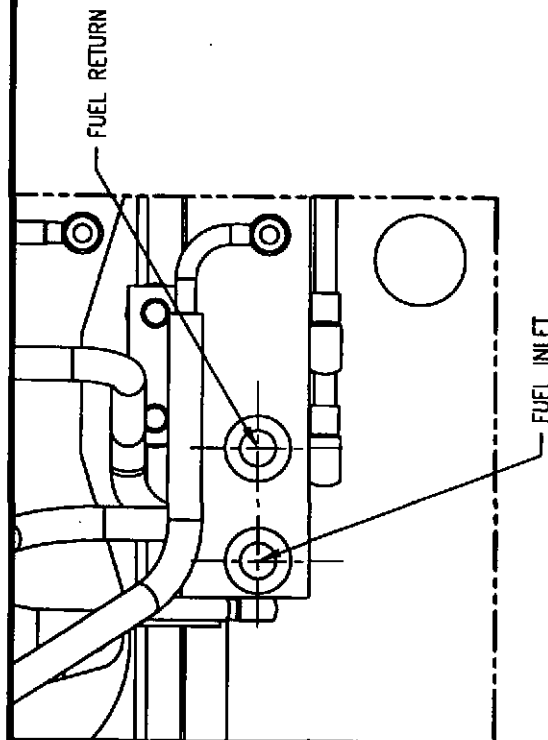
FUEL SUPPLY AND RETURN ASSEMBLY

SIZE DATE DWG NO 420-B-040

B 3-14-01

DRAWN TO SCALE PART NO DWN BY SAA SHEET 1 OF 1

BILL OF MATERIAL			
KEY	QTY	KL PART#	DESCRIPTION
1	1	70903	HOSE FITTING 30882-12-12B
2	1	43317	3/4" I.D. HOSE
3	1	47511	HOSE FITTING 30882-12-12B
4	1	47476	ADAPTER 48F-12-12
5	2	47516	HOSE FITTING 4797-10B
6	1	43316	5/8" I.D. HOSE
7	1	47475	ADAPTER 2000-8-10B



MODELS: QST30 CUMMINS (750-1000KW)



FUEL SUPPLY AND RETURN ASSEMBLY

SIZE DATE B 3-14-01 DWG NO 420-B-042

DRAWN TO SCALE PART NO DWN BY SAA SHEET 1 OF 1



BILL OF MATERIAL

KEY	QTY	KL PART#	DESCRIPTION
1	1	73138	ADAPTER 2021-12-16S
2	2	72532	HOSE FITTING 1SA16FJ16
3	1	72511	1" I.D. HOSE
4	1	72777	ADAPTER 2021-16-16S
5	1	47476	ADAPTER 48F-12-12
6	2	47511	HOSE FITTING 30882-12-12B
7	1	43317	3/4" I.D. HOSE

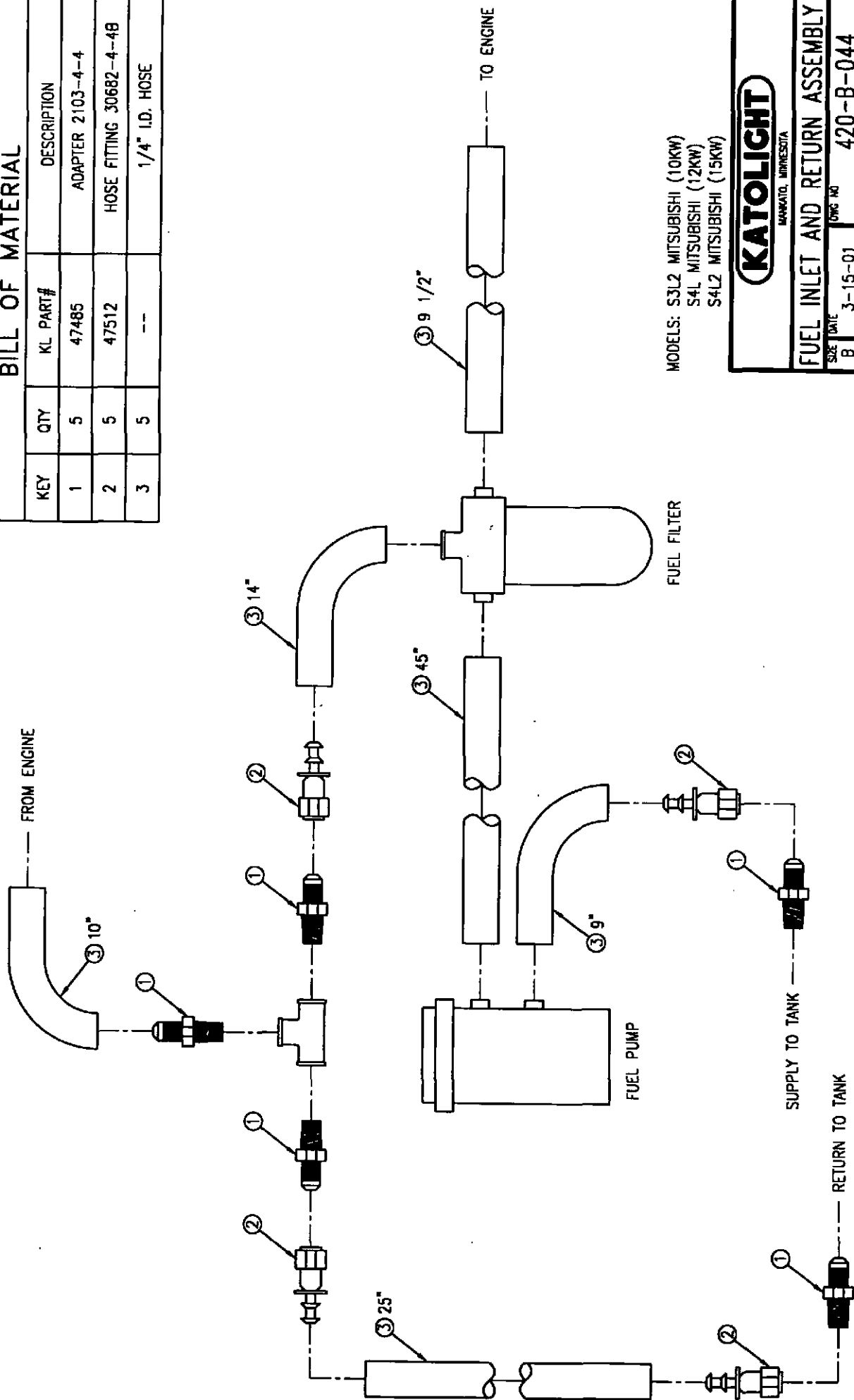
MODELS: S12R-PTA MITSUBISHI (1250-1300KW)
 S16R-PTA MITSUBISHI (1500-1600KW)
 S16R-PTA2 MITSUBISHI (1750KW)
 S16R-PTAA2 MITSUBISHI (2000KW)



FUEL SUPPLY AND RETURN ASSEMBLY

SIZE DATE 3-14-01
 B
 DWS NO 420-B-043
 DRAWN TO SCALE PART NO DWN BY SAA SHEET 1 OF 1

BILL OF MATERIAL			
KEY	QTY	KL PART#	DESCRIPTION
1	5	47485	ADAPTER 2103-4-4
2	5	47512	HOSE FITTING 30682-4-4B
3	5	--	1/4" I.D. HOSE



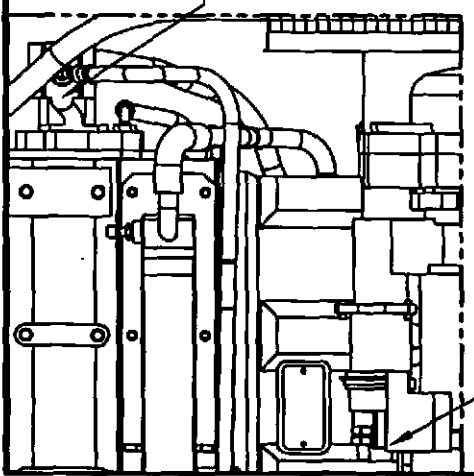
MODELS: S3L2 MITSUBISHI (10KW)
 S4L MITSUBISHI (12KW)
 S4L2 MITSUBISHI (15KW)

KATOLIGHT
 MANKATO, MINNESOTA

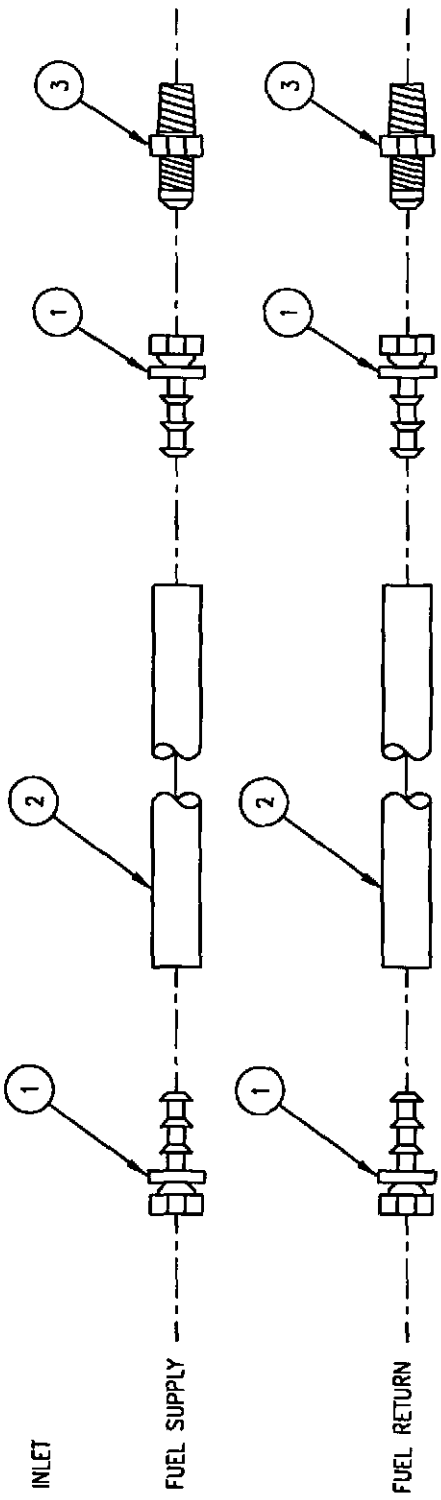
FUEL INLET AND RETURN ASSEMBLY

SIZE DATE 3-15-01 DWG NO 420-B-044

DRAWN TO SCALE PART NO DRAWN BY SAA SHEET 1 OF 1



BILL OF MATERIAL			
KEY	QTY	KL PART#	DESCRIPTION
1	2	47514	HOSE FITTING 4797-8B
2	4	43315	1/2" I.D. HOSE
3	2	48637	ADAPTER 48F-8-8



MODELS: 612SAF JOHN DEERE (250-400KW)



FUEL SUPPLY AND RETURN ASSEMBLY		
SIZE	DATE	DWG NO
B	3-15-01	420-B-045
DRAWN TO SCALE		PART NO
		DWN BY SAA
		SHEET 1 OF 1