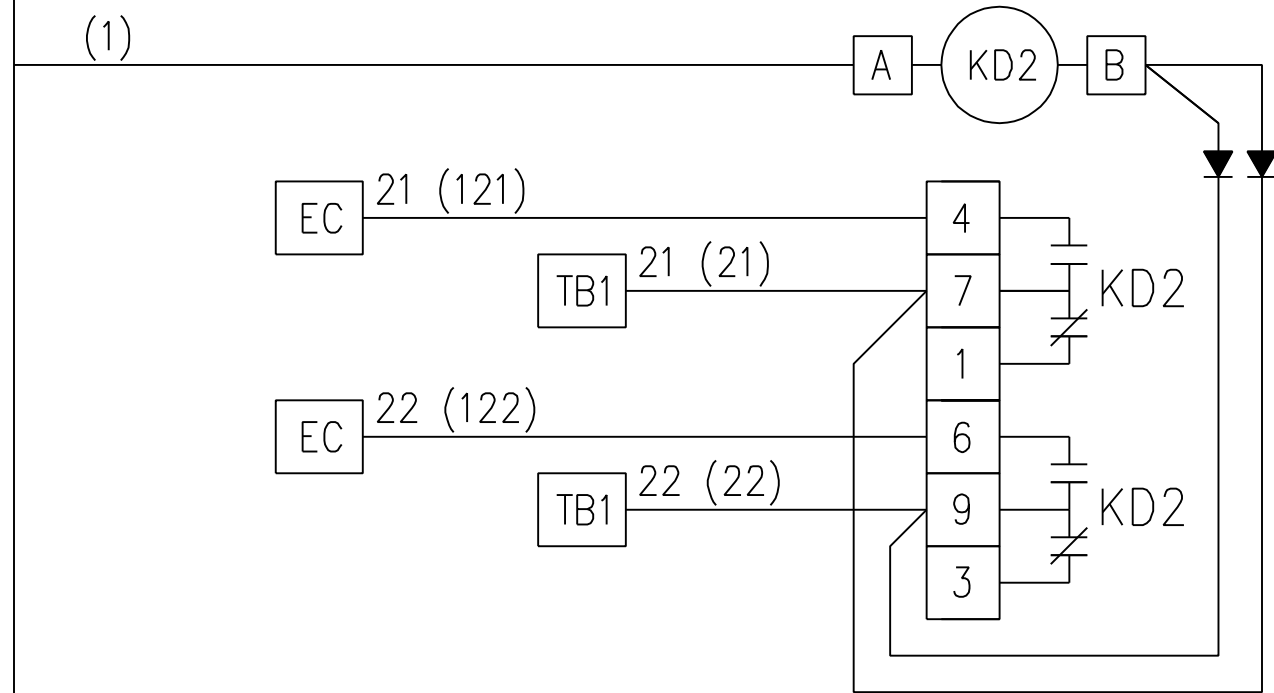
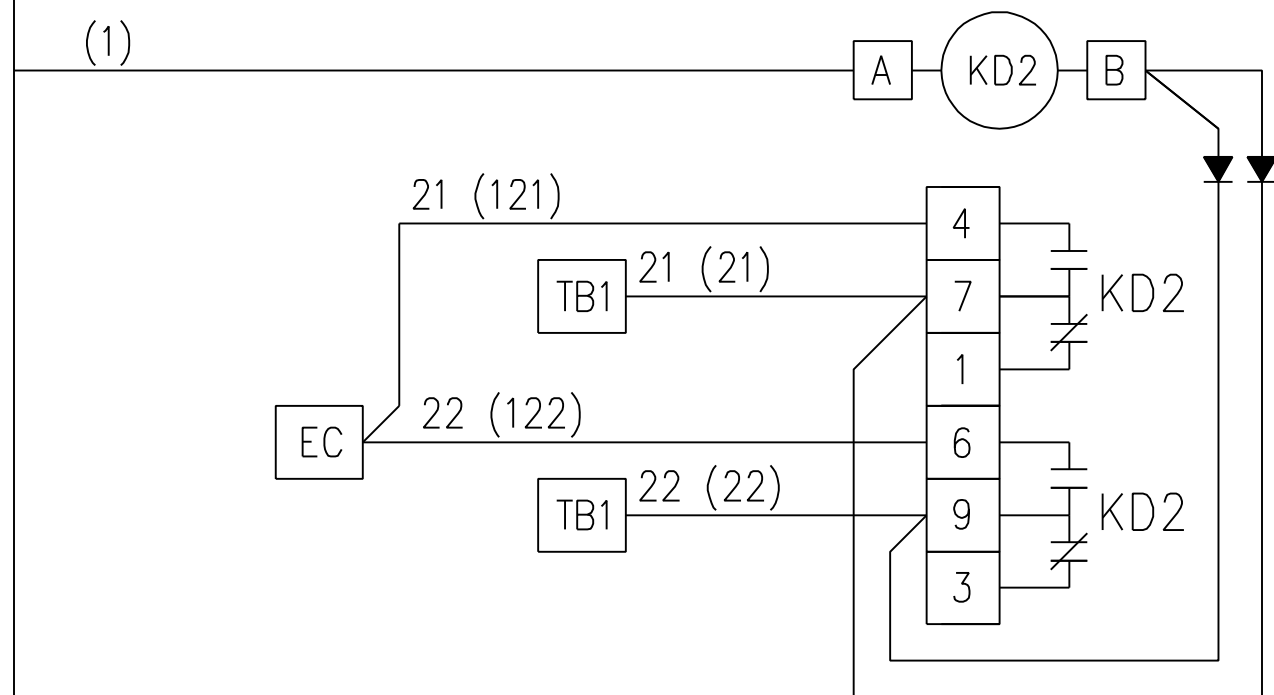


KASSEK PANELS WITH SEPERATE
LOW WATER AND HIGH TEMPERATURE LEDS



KASSEK PANELS WITH COMBINED
LOW WATER AND HIGH TEMPERATURE LEDS



LEGEND

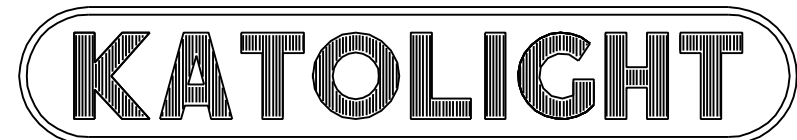
- KD2 TIME DELAY RELAY
- EC ENGINE CONTROL KASSEK
- TB1 TERMINAL BOARD 1

NOTE:

1. WIRE NUMBERS ARE IN PARENTHESIS.
2. SET TIMER FOR 5-7 SECONDS

PARTS LIST:

- 80489 TIME DELAY RELAY
- 45534 SOCKET
- 41804 DIODE



MANKATO, MINNESOTA

DC LADDER DIAGRAM

THIS DRAWING IS PROPERTY OF KATOLIGHT CORPORATION AND IS INTENDED FOR USE WITH OUR VENDERS AND CUSTOMERS. ANY CHANGES/MODIFICATIONS BY OTHERS MAY VOID DRAWING. DRAWING CHANGES MUST BE DONE BY KATOLIGHT AND MAY BE DONE SO AT ANYTIME.

| | | | |
|-------------|--------------|------------|-------------------|
| SIZE | DATE | DWG NO | FAULT DELAY RELAY |
| A | 5-1-2007 | | |
| DESCRIPTION | VOLVO/KASSEK | DWN BY ECG | SHEET 1 OF 1 |