



Turbine Series

Introducing New Racor Aquabloc II Filter Cartridge for use with 900FG and 1000FH Turbine Series...redesigned with actuator on the bottom cap to open the New Fuel Shut-off Valve - ensures proper valve operation & maximum filtration efficiency



Current 1000FG



New 1000FH

RACOR Aquabloc II

| <u>Micron Rating</u> | <u>Racor Part #</u> | <u>WIX Part #</u> |
|----------------------|---------------------|-------------------|
| 2 | 2010SM-OR | 33796 |
| | 2020SM-OR | 33793 |
| | 2040SM-OR | 33799 |
| 10 | 2010TM-OR | 33795 |
| | 2020TM-OR | 33792 |
| | 2040TM-OR | 33798 |
| 30 | 2010PM-OR | 33794 |
| | 2020PM-OR | 33791 |
| | 2040PM-OR | 33797 |

Design Enhancements

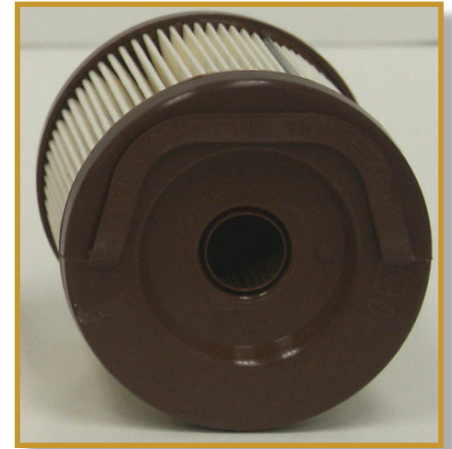
Part Number Includes Element & O-Ring
New Aquabloc II Cellulose Media
Permanent Color Coded Lettering On Endcap



Red = 30 Micron



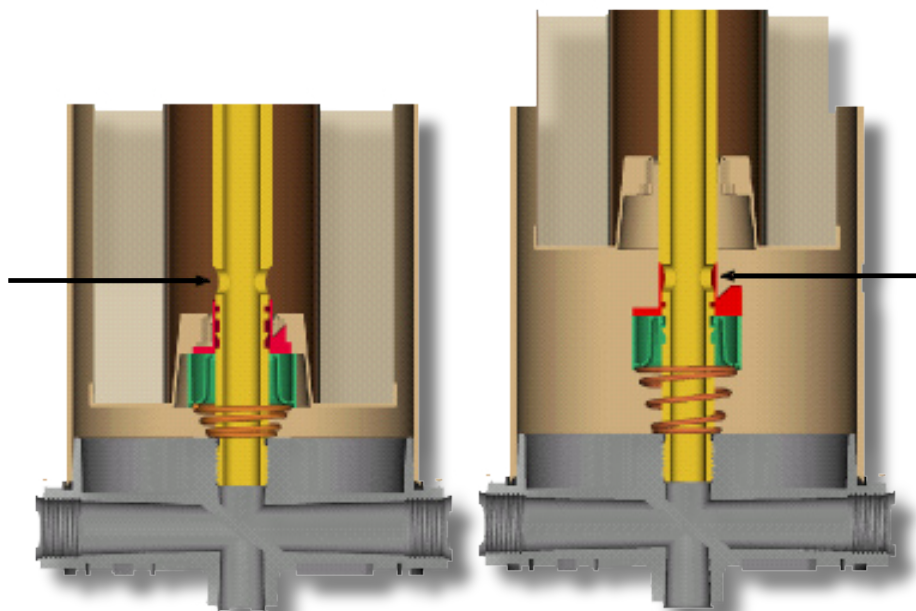
Blue = 10 Micron



Brown = 2 Micron

Partial Half Section and Cutaway View of the FH Turbine Series

When the element is inserted, the shut-off valve is pushed down, exposing the outlet holes on the fuel return tube.



When the element is removed, the valve moves up and blocks the outlet holes on the fuel return tube.

