



Illustrated Parts List

Model Series

319700

TYPE NUMBERS
0110 THROUGH 1116.

TABLE OF CONTENTS

| | |
|-------------------------------------|---|
| Air Cleaner | 6 |
| Blower Housing | 6 |
| Camshaft | 2 |
| Carburetor | 4 |
| Controls | 7 |
| Crankshaft | 2 |
| Cylinder | 2 |
| Cylinder Head | 3 |
| Electric Starter | 7 |
| Engine Sump | 2 |
| Flywheel | 6 |
| Fuel Supply | 4 |
| Gasket Set - Engine | 2 |
| Gasket Set - Valve | 3 |
| Governor Spring | 7 |
| Ignition | 7 |
| Intake Manifold | 3 |
| Kit - Carburetor Overhaul | 4 |
| Lubrication | 3 |
| Operator's Manual | 2 |
| Piston, Rings, Connecting Rod | 2 |
| Valves | 3 |
| Warning Label | 2 |

Not for production



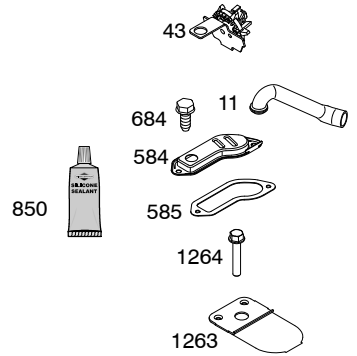
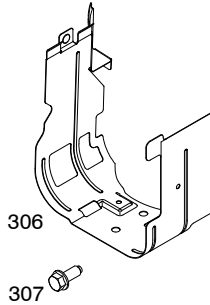
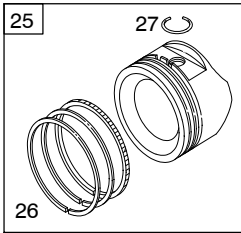
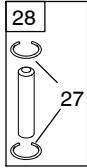
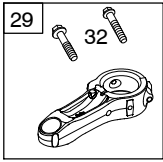
PRINTED IN U.S.A.

COPYRIGHT by BRIGGS & STRATTON CORPORATION
All rights reserved. No part of this material may be reproduced or transmitted, in any form or by any means, electronic or mechanical, including photocopying, recording or by any information storage and retrieval system, without permission in writing from Briggs & Stratton Corporation.

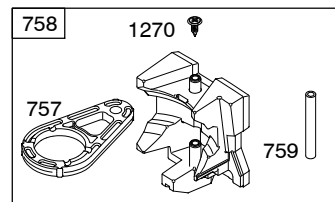
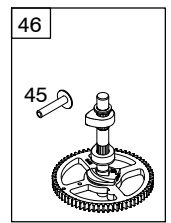
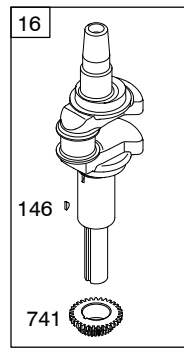
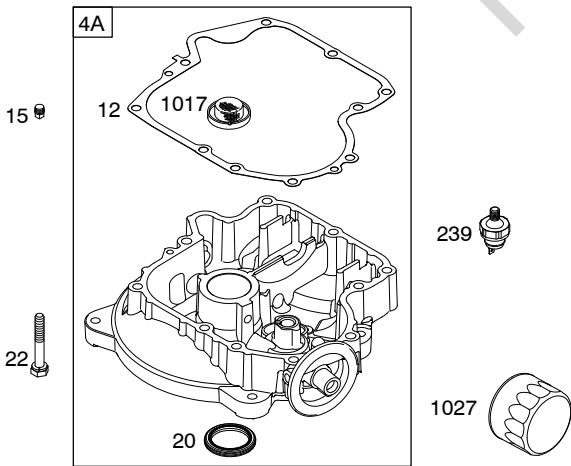
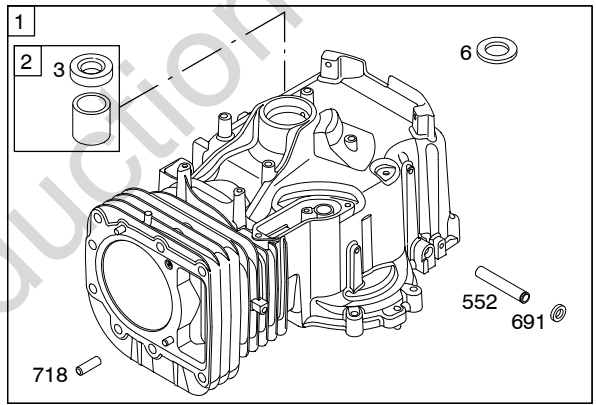
1319 WARNING LABEL

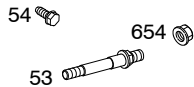
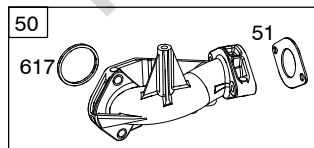
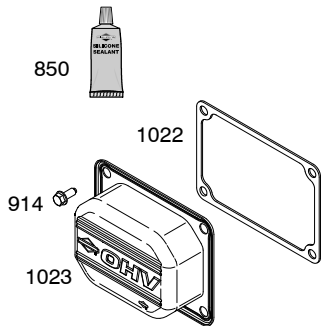
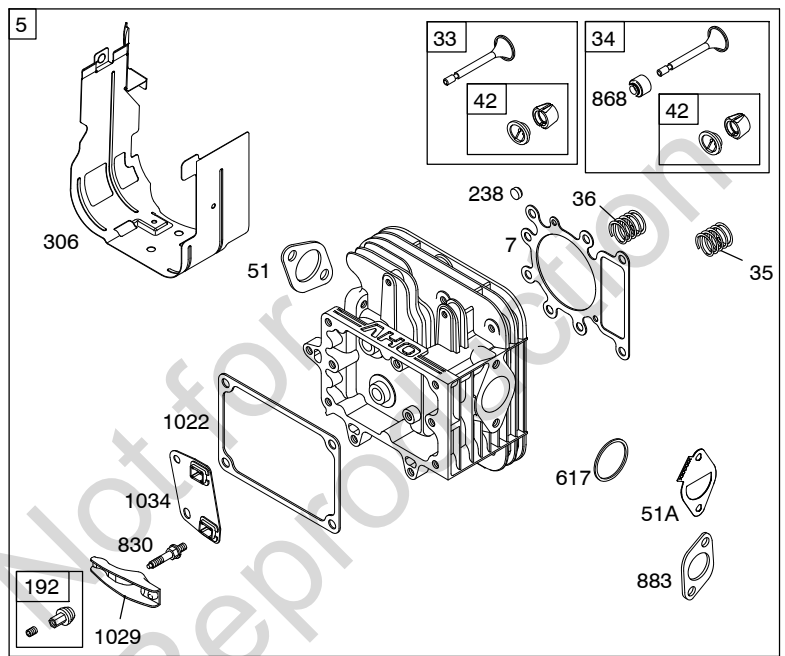
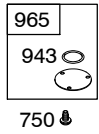
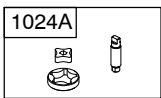
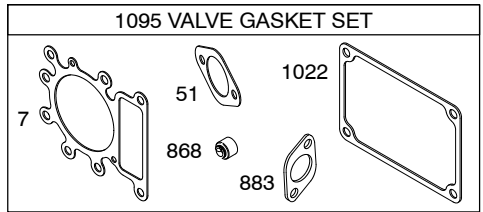
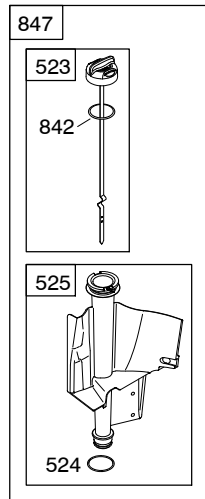
REQUIRED when replacing parts with warning labels affixed.

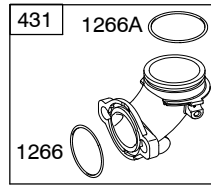
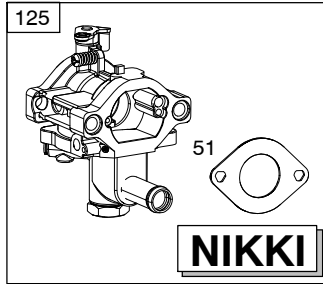
1058 OPERATOR'S MANUAL



358 ENGINE GASKET SET

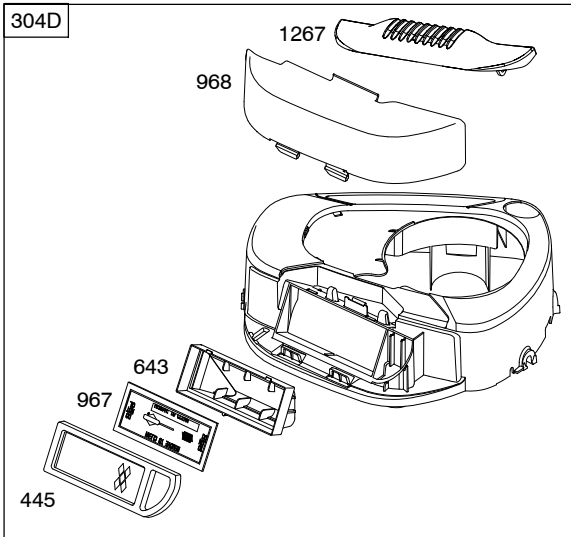




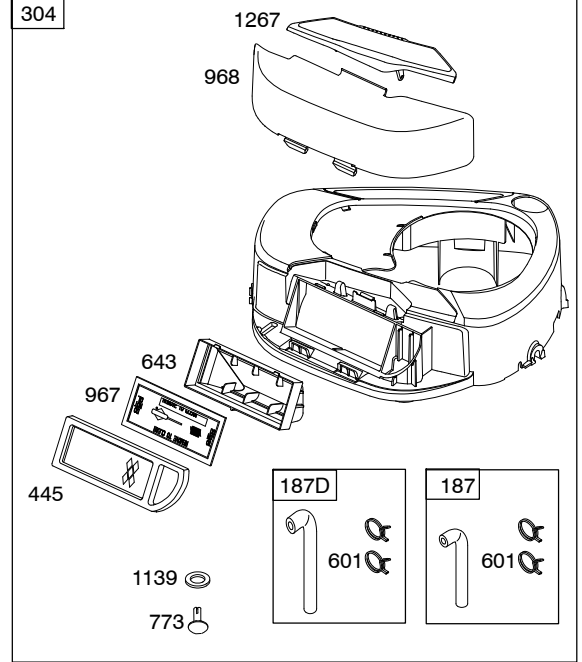


142

Not for
Reproduction

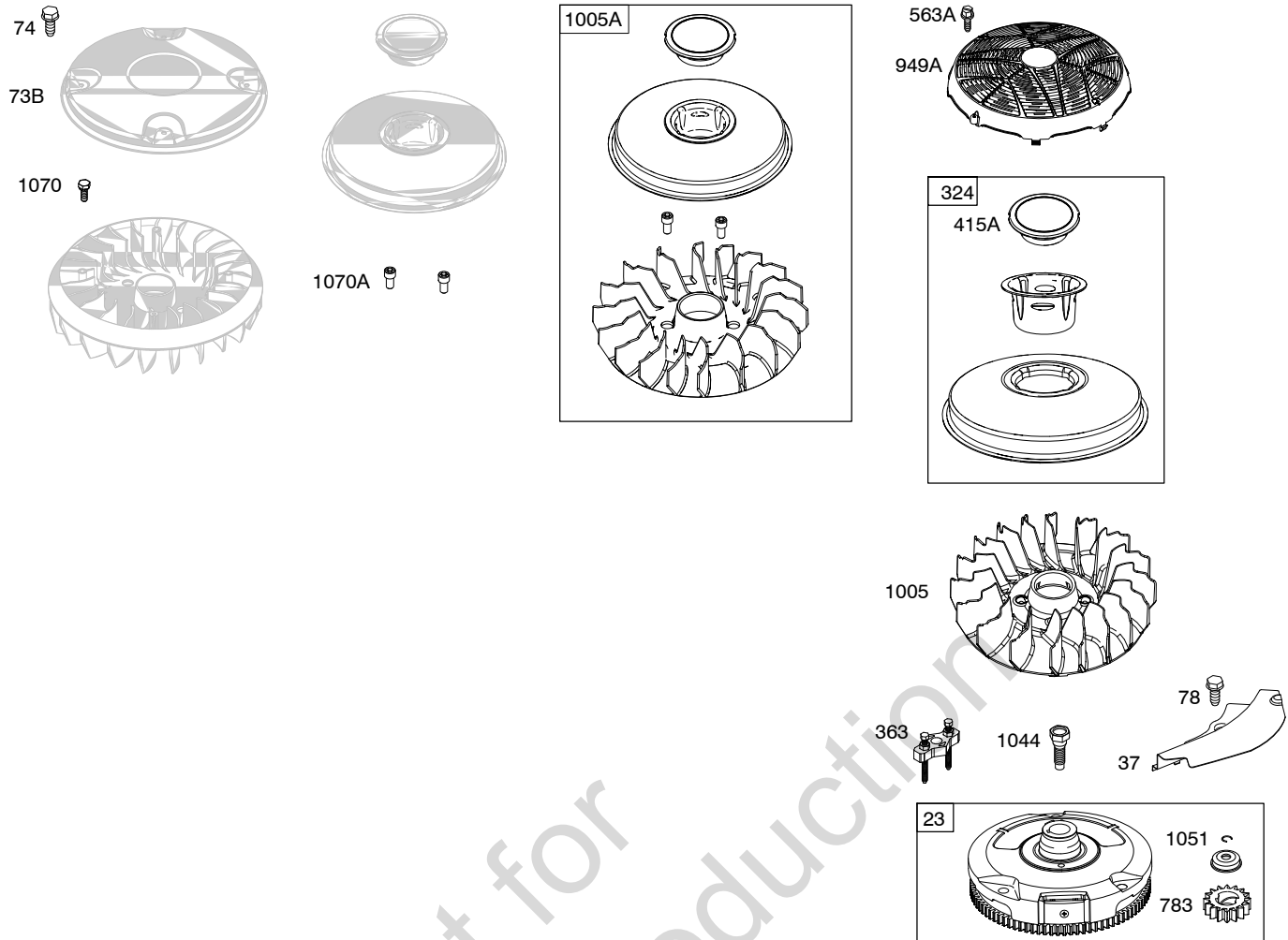


1036 EMISSIONS LABEL

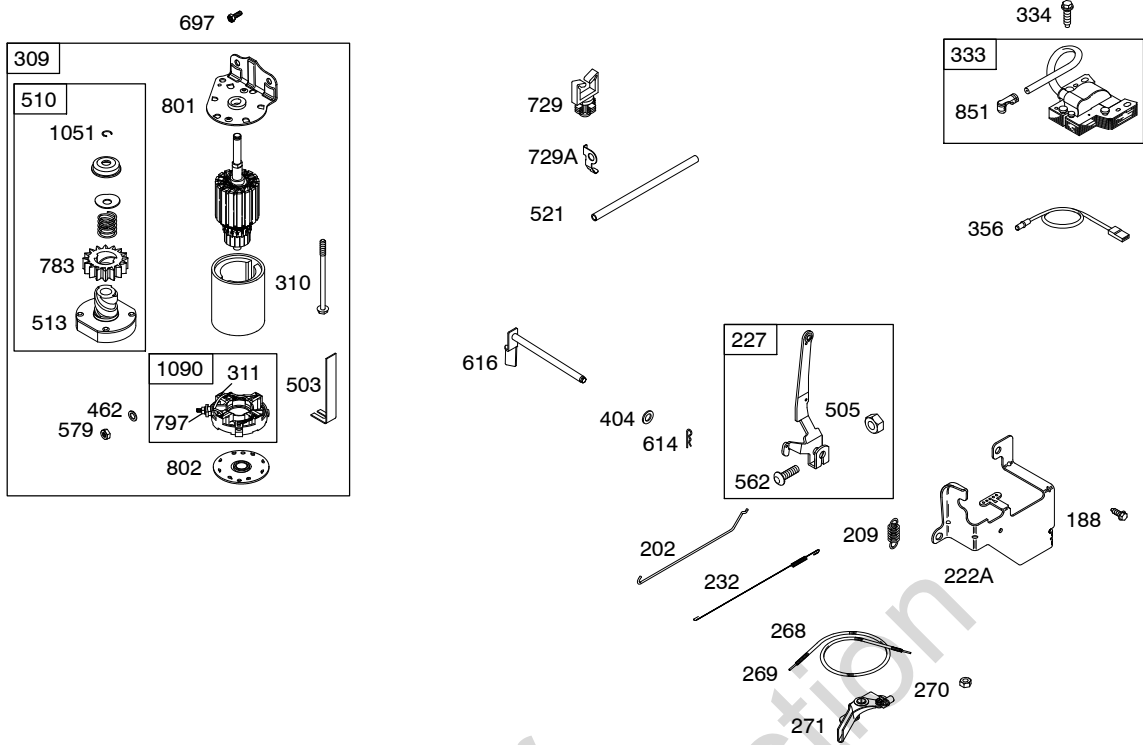


Not for
Reproduction

319700



Illustrations cover a range of engines. Parts shown without corresponding text may not be used on your specific engine.



Not for
Reproduction

319700

| REF. NO. | PART NO. | DESCRIPTION | REF. NO. | PART NO. | DESCRIPTION | REF. NO. | PART NO. | DESCRIPTION |
|----------|----------|--|----------|----------|--|----------|----------|---|
| 1 | 796010 | Cylinder Assembly ----- Note ----- 796010 Cylinder Assembly (Used Before Code Date 08042800) Must Be Used With The After 08042700 Cylinder Shield, Ref 306. | 20 | 795387 | Seal-Oil (PTO Side) | 36 | 691279 | Spring-Valve (Exhaust) |
| 2 | 399265 | Kit-Bushing/Seal (Magneto Side) | 22 | 692125 | Screw (Crankcase Cover/Sump) | 37 | 697352 | Guard-Flywheel |
| 3 | 391086S | Seal-Oil (Magneto Side) | 23 | 693557 | Flywheel ----- Note ----- 698281 Flywheel Used on Type No(s). 0114, 0115, 0116, 1116. | 42 | 499586 | Keeper-Valve |
| 4A | 790725 | Sump-Engine (Used After Code Date 05100200). ----- Note ----- 795939 Sump-Engine (Used Before Code Date 05100300). (Must Use Kit 795939, Includes Sump And Counterweight). | 24 | 222698S | Key-Flywheel | 43 | 691968 | Slinger-Governor/Oil |
| 5 | 796026 | Head-Cylinder | 25 | 796172 | Piston Assembly (Standard) ----- Note ----- 796173 Piston Assembly (.020" Oversize) | 45 | 690564 | Tappet-Valve |
| 6 | 690310 | Washer (Used After Code Date 07070900). | 26 | 791936 | Ring Set (Standard) (Used After Code Date 08042700). ----- Note ----- 699026 Ring Set (Standard) (Used Before Code Date 08042800). 792649 Ring Set (.020" Oversize) | 46 | 793880 | Camshaft |
| 7 | 796584 | Gasket-Cylinder Head (Breather Assembly) | 27 | 698469 | Lock-Piston Pin | 50 | 793668 | Manifold-Intake |
| 11 | 794683 | Tube-Breather | 28 | 796007 | Pin-Piston (Standard) (Used After Code Date 08042700). | 51 | 692137 | Gasket-Intake |
| 12 | 697110 | Gasket-Crankcase (.015" Thick) (Standard) | 29 | 794122 | Rod-Connecting (Standard) Used on Type No(s). 0110. ----- Note ----- 794571 Rod-Connecting (Standard) Used on Type No(s). 0112, 0113, 0114, 0115, 0116, 1116. | 51A | 692137 | Gasket-Intake |
| 13 | 793988 | Screw (Cylinder Head) (Used After Code Date 07010900). ----- Note ----- 690360 Screw (Cylinder Head) (Used Before Code Date 07011000). | 32 | 791118 | Screw (Connecting Rod) | 53 | 690227 | Stud (Carburetor) |
| 15 | 690946 | Plug-Oil Drain (Square Head) | 33 | 792868 | Valve-Exhaust | 54 | 691148 | Screw (Intake Manifold) |
| 16 | 797583 | Crankshaft Used on Type No(s). 0110. ----- Note ----- 797584 Crankshaft Used on Type No(s). 0114, 0115, 0116, 1116. 793245 Crankshaft Used on Type No(s). 0112, 0113. | 34 | 791935 | Valve-Intake | 73B | 697133 | Screen-Rotating (Used Before Code Date 07040900). |
| | | | 35 | 691279 | Spring-Valve (Intake) | 74 | 697897 | Screw (Rotating Screen) |
| | | | | | | 78 | 691693 | Screw (Flywheel Guard) |
| | | | | | | 125 | 793115 | Carburetor (Nikki Mixer Assembly) |
| | | | | | | 142 | 799518 | Nozzle-Carburetor (Natural Gas) |
| | | | | | | 146 | 691639 | Key-Timing |
| | | | | | | 187 | 791805 | Line-Fuel (Formed)(10.25 Inches Long)(Cut to Required Length) |
| | | | | | | 187D | 791744 | Line-Fuel (Formed)(14 Inches Long)(Cut to Required Length) |
| | | | | | | 188 | 691693 | Screw (Control Bracket) |
| | | | | | | 192 | 691986 | Adjuster-Rocker Arm |
| | | | | | | 202 | 691841 | Link-Mechanical Governor |
| | | | | | | 209 | 792602 | Spring-Governor (Used After Code Date 05112700). ----- Note ----- 690480 Spring-Governor (Used Before Code Date 05112800). |
| | | | | | | 222A | 694335 | Bracket-Control |
| | | | | | | 227 | 694339 | Lever-Governor Control |
| | | | | | | 232 | 691842 | Spring-Governor Link |
| | | | | | | 238 | 691843 | Cap-Valve |
| | | | | | | 239 | 694115 | Switch-Oil Pressure |
| | | | | | | 268 | 691025 | Casing-Control Wire (Cut To Required Length) |

Illustrations cover a range of engines. Parts shown without corresponding text may not be used on your specific engine.
6142-8 Assemblies include all parts shown in frames. 06/24/2011

| REF. NO. | PART NO. | DESCRIPTION | REF. NO. | PART NO. | DESCRIPTION | REF. NO. | PART NO. | DESCRIPTION |
|----------|----------|---|----------|----------|--|----------|----------|---|
| 269 | 691026 | Wire-Control (Cut To Required Length) | 431 | 793669 | Elbow-Intake | 729A | 691224 | Clip-Wire (Aluminum Coated Steel) |
| 270 | 691027 | Nut (Control Wire Casing) | 445 | 790263 | Filter-Air Cleaner Cartridge (UL Recognized) | 741 | 697128 | Gear-Timing |
| 271 | 691028 | Lever-Control | 462 | 691261 | Washer (Starter Cable) | 750 | 790832 | Screw (Oil Pump Cover) |
| 304 | 796416 | Housing-Blower (Black) (Used After Code Date 08082400). | 503 | 691532 | Strap-Starter | 757 | 793242 | Link-Counterweight |
| 304D | 790719 | Housing-Blower (Black) (Used Before Code Date 08082500). | 505 | 691251 | Nut (Governor Control Lever) | 773 | 796448 | Retainer (Fuel Pump) |
| 305 | 697102 | Screw (Blower Housing) | 510 | 693699 | Drive-Starter | 758 | 793763 | Counterweight (Used After Code Date 05100200). |
| 305A | 793376 | Screw (Blower Housing) | 513 | 692024 | Clutch-Drive | | | ----- Note ----- |
| 306 | 796006 | Shield-Cylinder (Used After Code Date 08042700). | 521 | 690581 | Shield-Cable | | | 795939 Counterweight (Used Before Code Date 05100300). (Must Use Kit 795939, Includes Sump And Counterweight). |
| | | ----- Note ----- | 523 | 699908 | Dipstick | 759 | 697392 | Pin-Counterweight |
| | | 697107 Shield-Cylinder (Used Before Code Date 08042800). | 524 | 691032 | Seal-Dipstick Tube | 783 | 693713 | Gear-Pinion |
| 307 | 691693 | Screw (Cylinder Shield) | 525 | 697184 | Tube-Dipstick | 797 | 693167 | Nut (Brush Retainer) |
| 309 | 693552 | Motor-Starter | 552 | 697144 | Bushing-Governor Crank | 801 | 691283 | Cap-Drive |
| 310 | 691263 | Screw (Starter Motor) | 562 | 691119 | Bolt (Governor Control Lever) | 802 | 691286 | Cap-End |
| 311 | 497608 | Brush Set | 563A | 799359 | Screw (Debris Guard) | 823 | 698941 | Screw (Muffler Adapter) |
| 324 | 796308 | Screen-Rotating (Used After Code Date 07040800) | 579 | 691029 | Nut (Starter Cable) | 830 | 691095 | Stud-Rocker Arm |
| 333 | 799650 | Armature-Magneto (Used After Code Date 11053100). | 584 | 794682 | Cover-Breather Passage (Use With Liquid Sealant Reference 850) | 842 | 691031 | Seal-O Ring (Dipstick Tube) |
| | | ----- Note ----- | 585 | 697109 | Gasket-Breather (Used Before Code Date 07071900). (After Date Code Use Liquid Sealant Reference 850) | 847 | 790442 | Dipstick/Tube Assembly |
| | | 795315 Armature-Magneto (Used Before Code Date 11060100). | 601 | 791850 | Clamp-Hose (Green) | 850 | 100100 | Sealant-Liquid (Rocker Cover Gasket and Breather Gasket) (Used After Code Date 07071800). |
| 334 | 691061 | Screw (Magneto Armature) | 614 | 691620 | Pin-Cotter | 851 | 692424 | Terminal-Spark Plug |
| 337 | 491055S | Plug-Spark | 616 | 692012 | Crank-Governor | 868 | 690968 | Seal-Valve |
| 356 | 697397 | Wire-Stop | 617 | 692138 | Seal-O Ring (Intake Manifold) | 883 | 692236 | Gasket-Exhaust |
| 358 | 796187 | Gasket Set-Engine | 635 | 691909 | Boot-Spark Plug | 914 | 697551 | Screw (Rocker Cover) |
| 363 | 19203 | Puller-Flywheel | 643 | 698401 | Retainer-Air Filter | 943 | 690589 | Seal-O Ring (Oil Pump Cover) |
| 383 | 89838S | Wrench-Spark Plug | 654 | 690958 | Nut (Carburetor) | 949A | 799358 | Guard-Debris Screen |
| 404 | 691691 | Washer (Governor Crank) | 684 | 697157 | Screw | 965 | 499613 | Cover-Oil Pump |
| 415A | 794129 | Plug (Cover/Retainer) | 691 | 692407 | Seal-Governor Shaft | 967 | 697015 | Filter-Pre Cleaner |
| | | | 697 | 791680 | Screw (Drive Cap) | 968 | 698403 | Cover-Air Cleaner (Black) |
| | | | 718 | 690959 | Pin-Locating | 1005 | 796083 | Fan-Flywheel (Used After Code Date 07040800). |
| | | | 729 | 691335 | Clip-Wire (Wire Saddle) | | | |

Illustrations cover a range of engines. Parts shown without corresponding text may not be used on your specific engine.
6142-9 Assemblies include all parts shown in frames. 06/24/2011

319700

| REF. NO. | PART NO. | DESCRIPTION | REF. NO. | PART NO. | DESCRIPTION | REF. NO. | PART NO. | DESCRIPTION |
|----------|----------|--|----------|----------|---|----------|----------|--|
| 1005A | 796201 | Fan-Flywheel (Used Before Code Date 07040900). | 1027 | 492932S | Filter-Oil | 1090 | 691293 | Retainer-Brush |
| | | | 1029 | 691751 | Arm-Rocker | 1095 | 690190 | Gasket Set-Valve |
| 1017 | 690770 | Screen-Oil Pump (Push In) | 1034 | 690822 | Guide-Push Rod | 1139 | 796449 | Washer |
| 1022 | 272475S | Gasket-Rocker Cover (Used Before Code Date 07091000). (After Date Code Use Liquid Sealant Reference 850) | 1035 | 693784 | Shaft-Pump | 1263 | 697124 | Reed-Breather |
| | | | 1036 | | Label-Emissions (Available From A Briggs & Stratton Authorized Dealer) | 1264 | 697104 | Screw (Breather Reed) |
| 1023 | 797421 | Cover-Rocker | 1040 | 698368 | Plate-Trim | 1266 | 691917 | Seal-O Ring (Intake Elbow) |
| 1024A | 794644 | Pump-Oil (Used After Code Date 07051600). | 1044 | 698139 | Screw (Flywheel) | 1266A | 697123 | Seal-O Ring (Intake Elbow) |
| | | | 1051 | 691265 | Ring-Retaining | 1267 | 697419 | Latch-Blower Housing |
| 1026 | 692003 | Rod-Push (Intake) ----- Note ----- 692011 Rod-Push (Exhaust) | 1058 | 277766 | Manual-Operator's | 1270 | 793243 | Plug-AVS Counterweight (Used After Code Date 06081300). ----- Note ----- 697156 Plug-AVS Counterweight (Used Before Code Date 06081400). |
| | | | 1070 | 791680 | Screw (Flywheel Fan) (Used Before Code Date 07040900). | | | |
| | | | 1070A | 690363 | Screw (Flywheel Fan) (Used Before Code Date 08061000 and After Code Date 07040800). | 1319 | 794467 | Warning Label |

Not for
Reproduction

Not for
Reproduction

Not for
Reproduction

