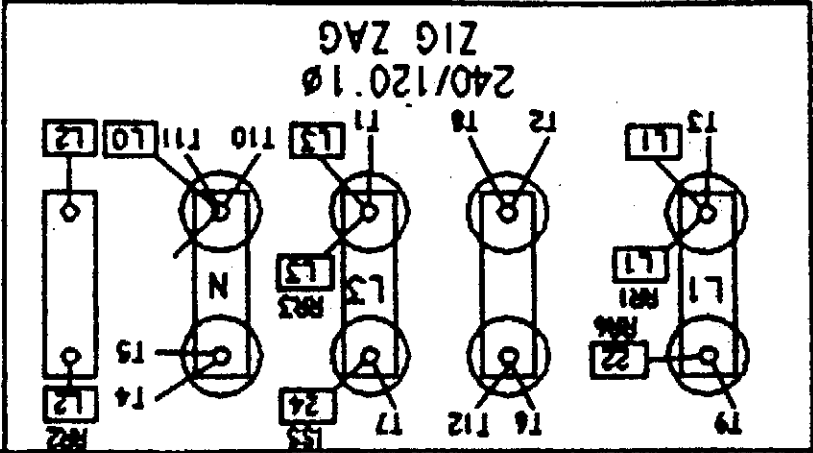
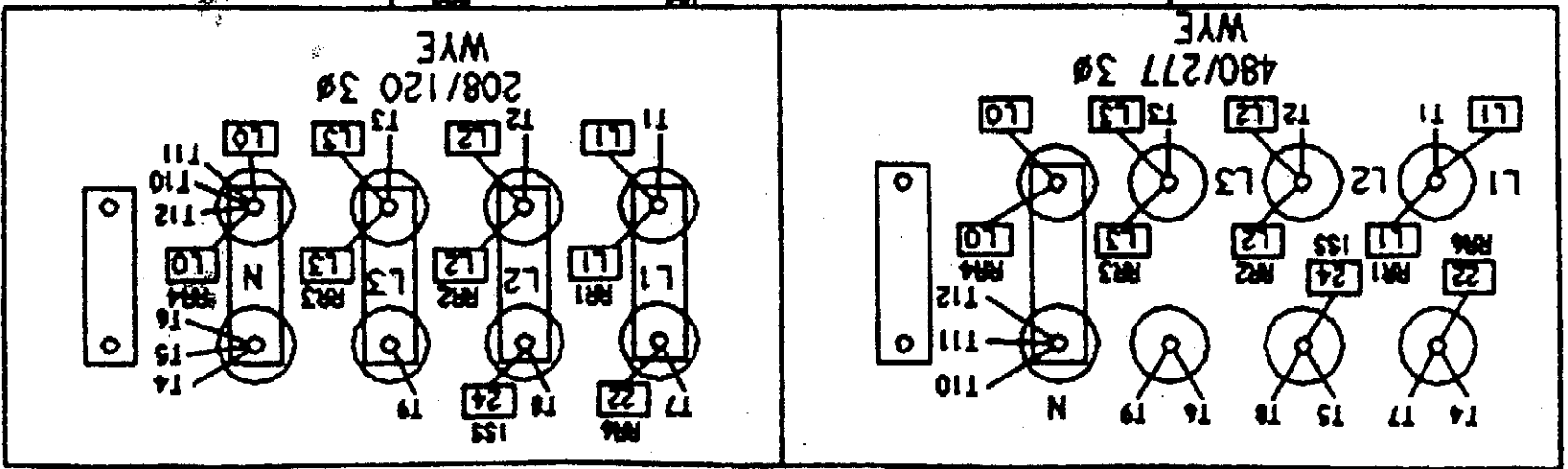




# RECONNECT BOARD



**ATTENTION** 1) READ AND BE FAMILIAR WITH OPERATION/MAINTENANCE MANUAL.  
2) CONNECTIONS SHOULD ONLY BE MADE BY QUALIFIED PERSONNEL.