

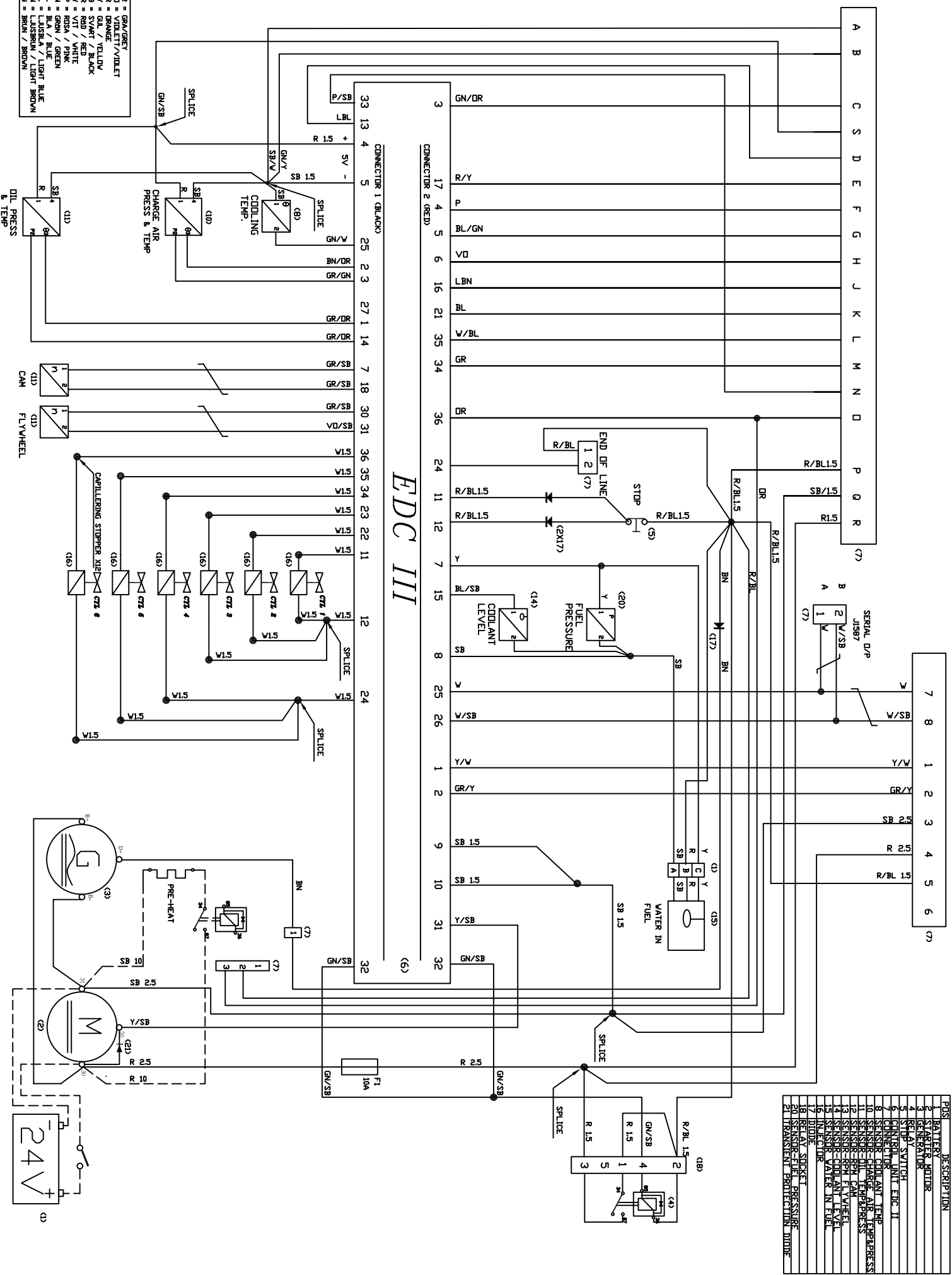
SHEET	MODIFICATION				
	A				
JD-01					

SCHEMA DE CABLAGE MOTEUR
ELECTRICAL ENGINE WIRING

31607495611

3029-BASE

GN = GRN/GREY / VIOLET
 VD = VIOLET / BLUE
 DR = DRNKE / YELLOW
 Y = GUL / YELLOW
 SB = SVART / BLACK
 R = RØD / RED
 P = HVT / WHITE
 W = HVT / WHITE
 GN = GRØN / GREEN
 BL = BLÅ / BLUE
 LBN = LÅSBRUN / LIGHT BLUE
 BN = BRUN / BROWN



POS	DESCRIPTION
1	BATTERY
2	STARTER MOTOR
3	GENERATOR
4	RELAY SWITCH
5	DIAGNOSTIC UNIT EDC II
6	SENSOR COOLANT TEMP
10	SENSOR CHARGE AIR TEMP/PRESS
11	SENSOR OIL TEMP/PRESS
12	SENSOR RPM CAM
13	SENSOR RPM WHEEL
14	SENSOR COOLANT LEVEL
15	SENSOR WATER IN FUEL
16	INJECTOR
17	DIODE
18	RELAY SWITCH
20	SENSOR FUEL PRESSURE
21	TRANSPARENT PROTECTION INTAKE

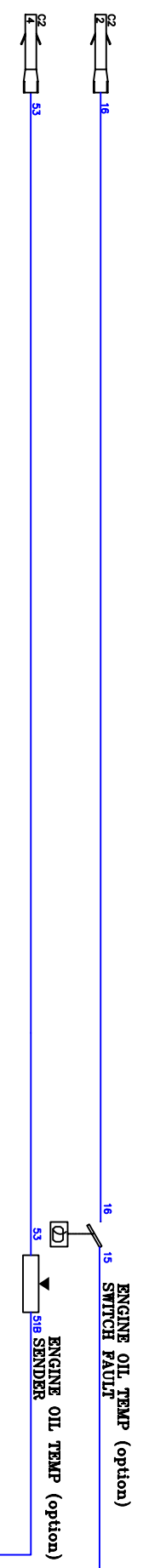
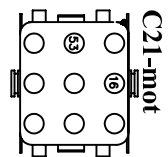
FDC III

31607512811

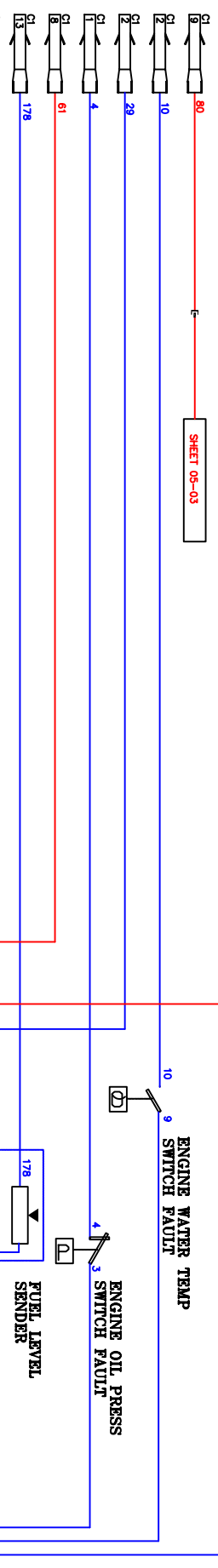
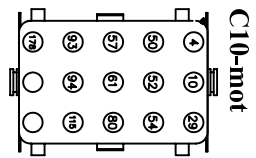
VO-D12

SCHEMA DE CABLAGE MOTEUR
ELECTRICAL ENGINE WIRING

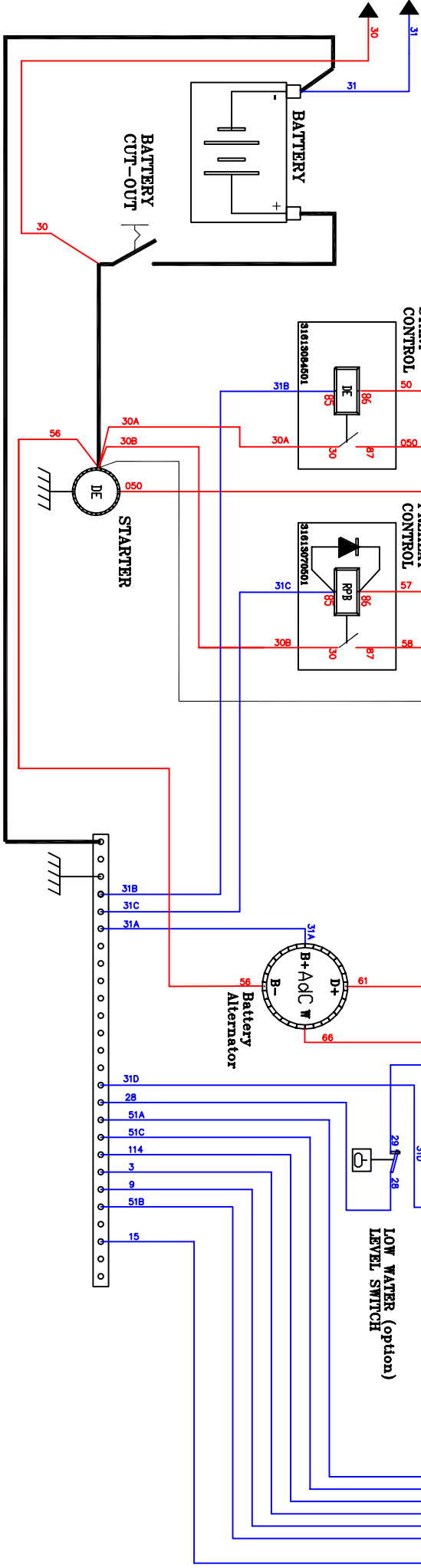
MODIFICATION	
SHEET	E
VD-07B	



Not used



TO CONTROL PANEL

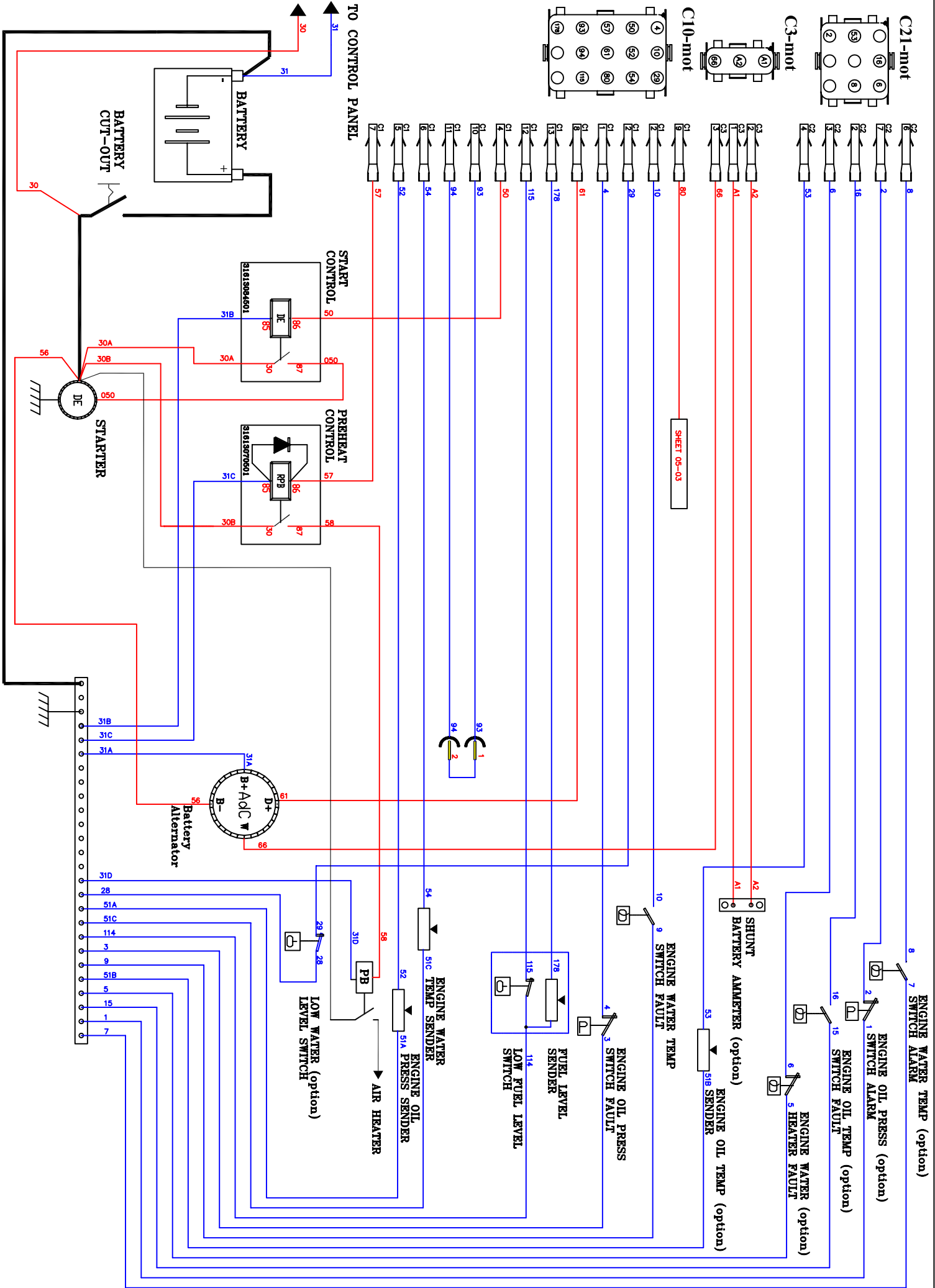


SHEET 03-03

MODIFICATION	
SHEET	VD-04

SCHEMA DE CABLAGE MOTEUR
ELECTRICAL ENGINE WIRING

31607067811
VD-1232-TAD

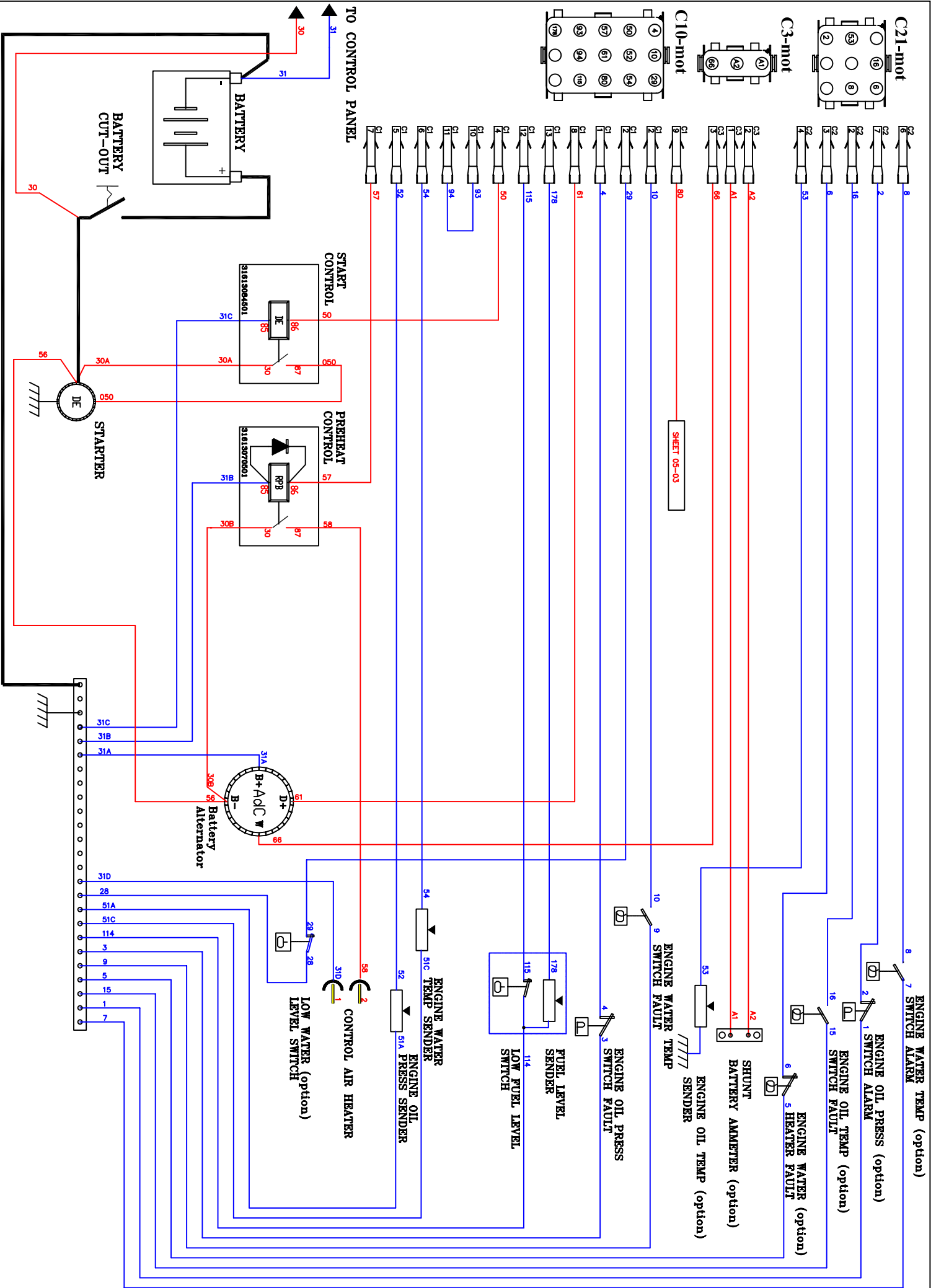


SHEET 00-03

MODIFICATION	
SHEET	1
VD-03	

SCHEMA DE CABLAGE MOTEUR
ELECTRICAL ENGINE WIRING

31607191211
VD-1032-TAD



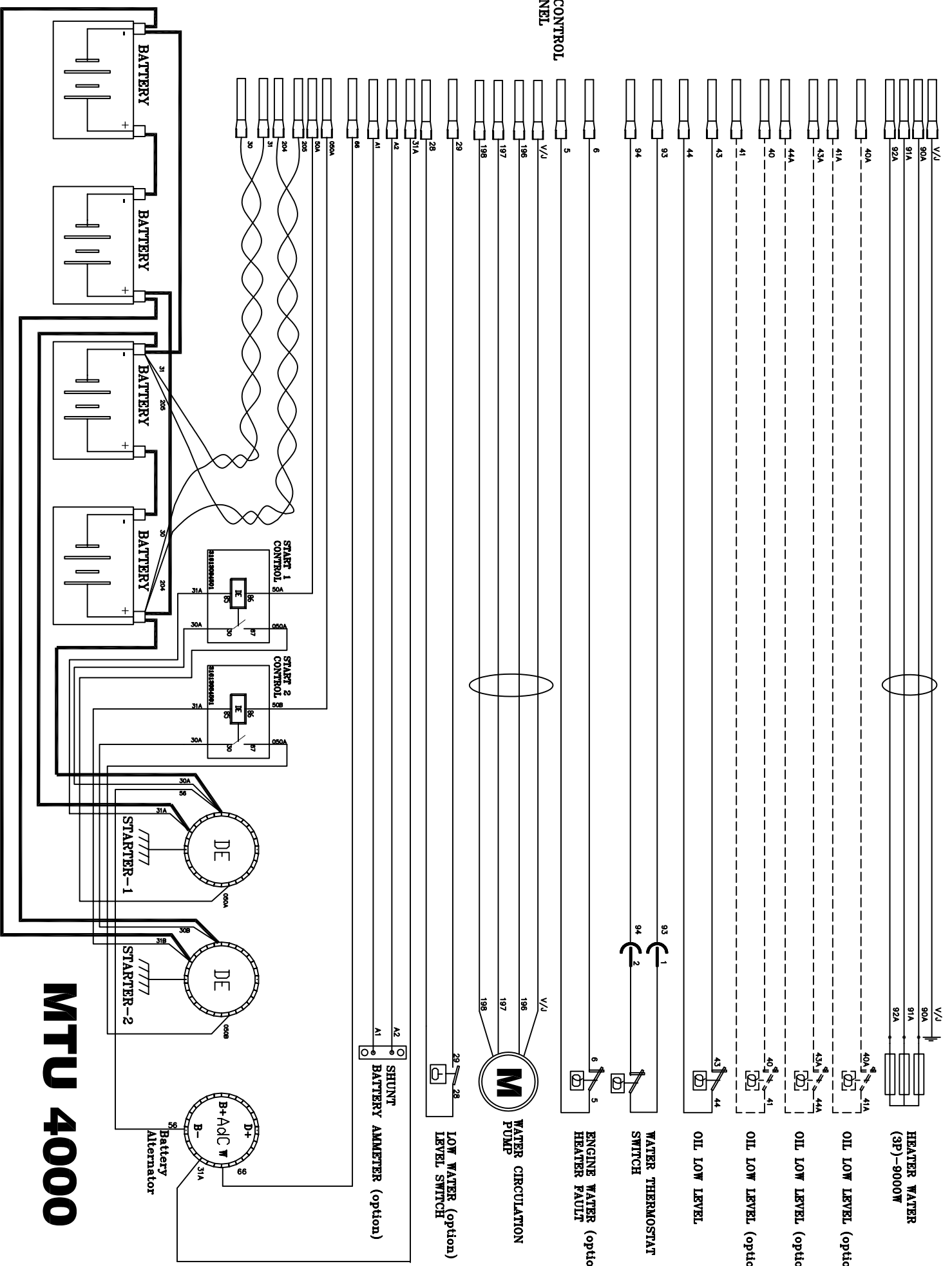
SHEET 00-03

MODIFICATION	
SHEET	VD-01

SCHEMA DE CABLAGE MOTEUR
ELECTRICAL ENGINE WIRING

31607066811

VD-740-TAD/TWD



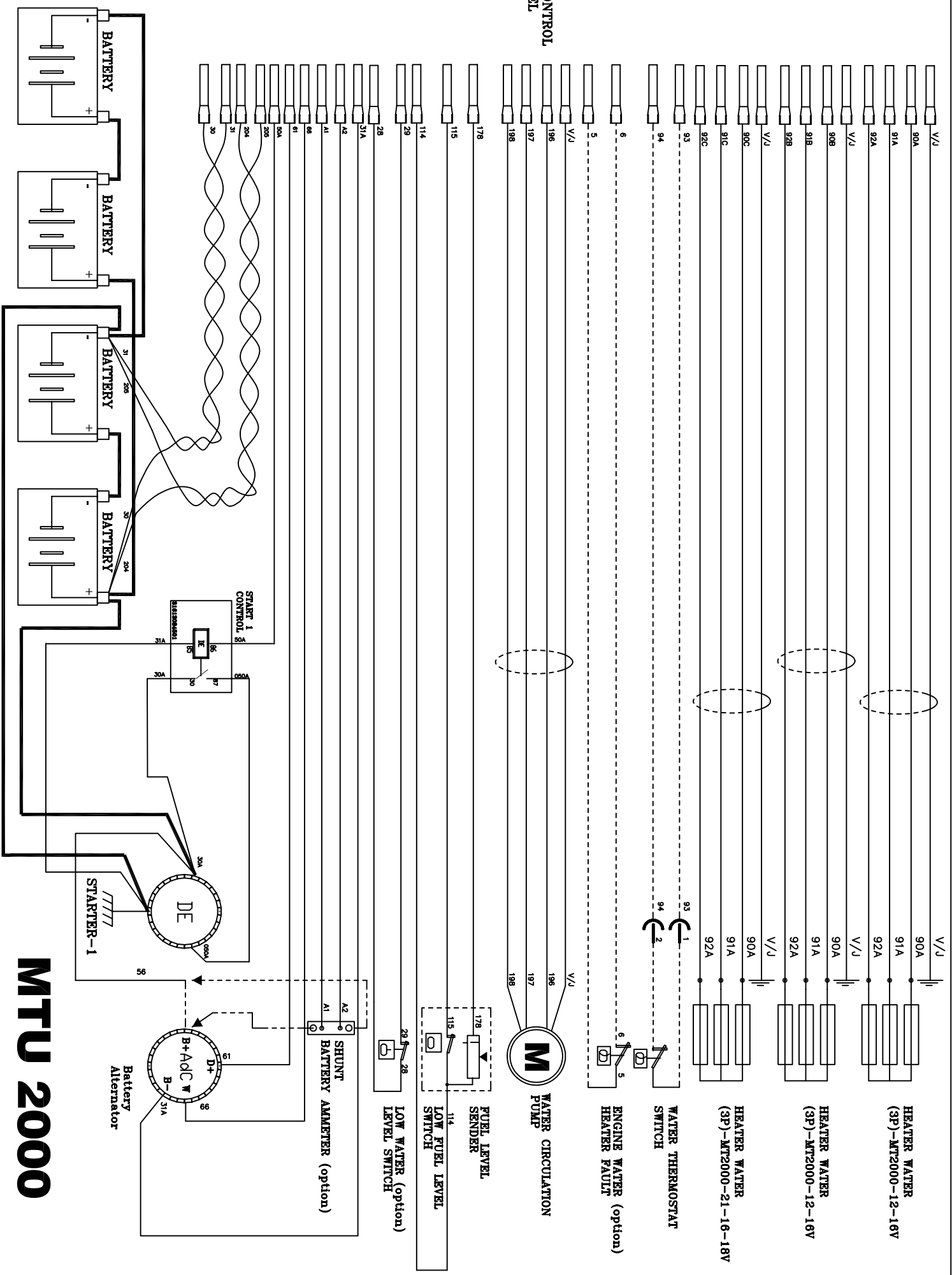
MTU 4000

31607078711
MT-4000-12-16

SCHEMA DE CABLAGE MOTEUR
ELECTRICAL ENGINE WIRING

MODIFICATION	
SHEET	MT-02

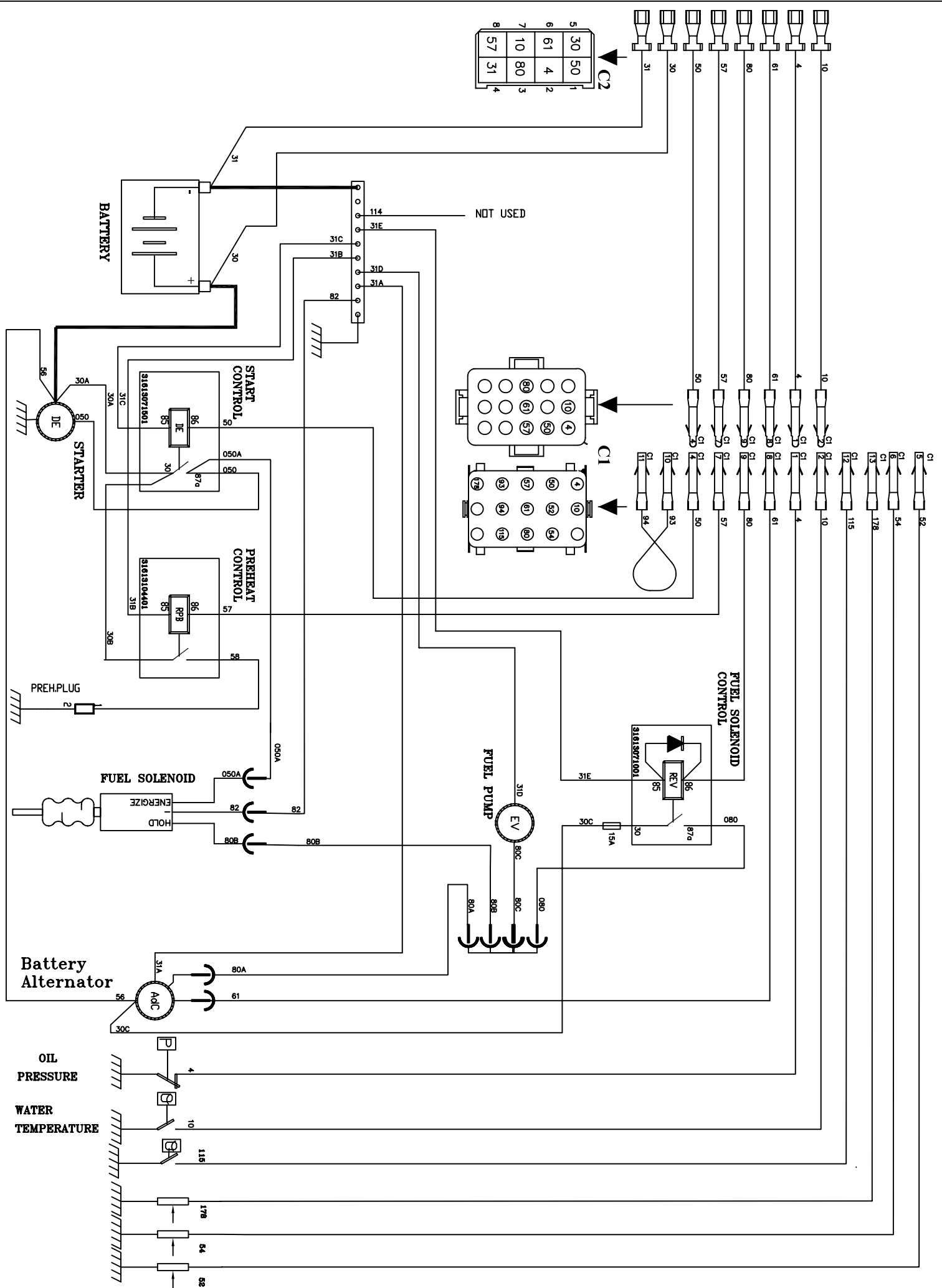
MTU 2000



31607184411
MT-2000-12-16-18V

SCHEMA DE CABLAGE MOTEUR
ELECTRICAL ENGINE WIRING

MODIFICATION	
SHEET	MT-01

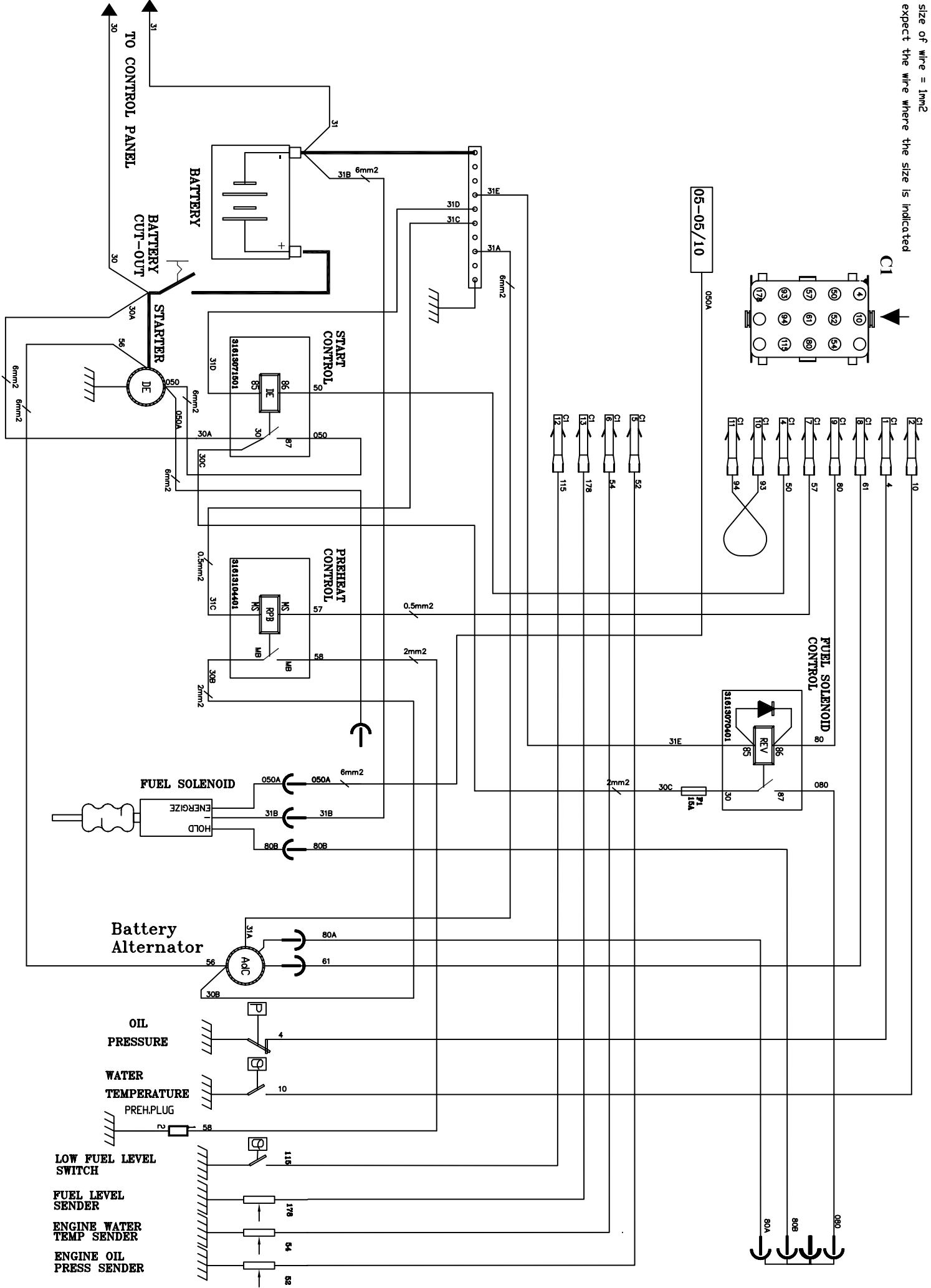


MODIFICATION	
SHEET	MI-01

SCHEMA DE CABLAGE MOTEUR
ELECTRICAL ENGINE WIRING

31607511411
S3/S4L2

size of wire = 1mm²
 expect the wire where the size is indicated



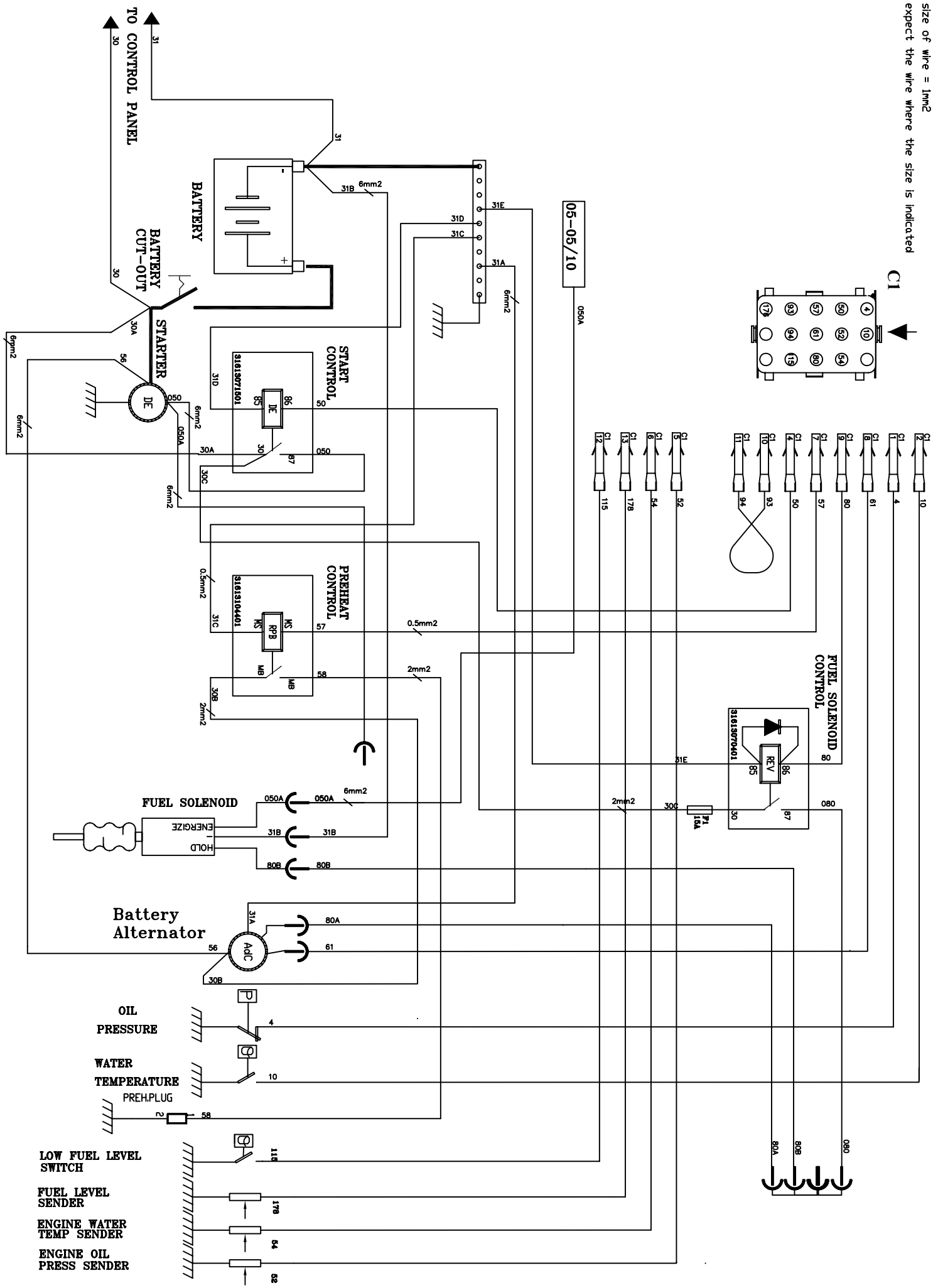
MODIFICATION					
SHEET	D				
MI-03					

SCHEMA DE CABLAGE MOTEUR
 ELECTRICAL ENGINE WIRING

31607511611

S4S

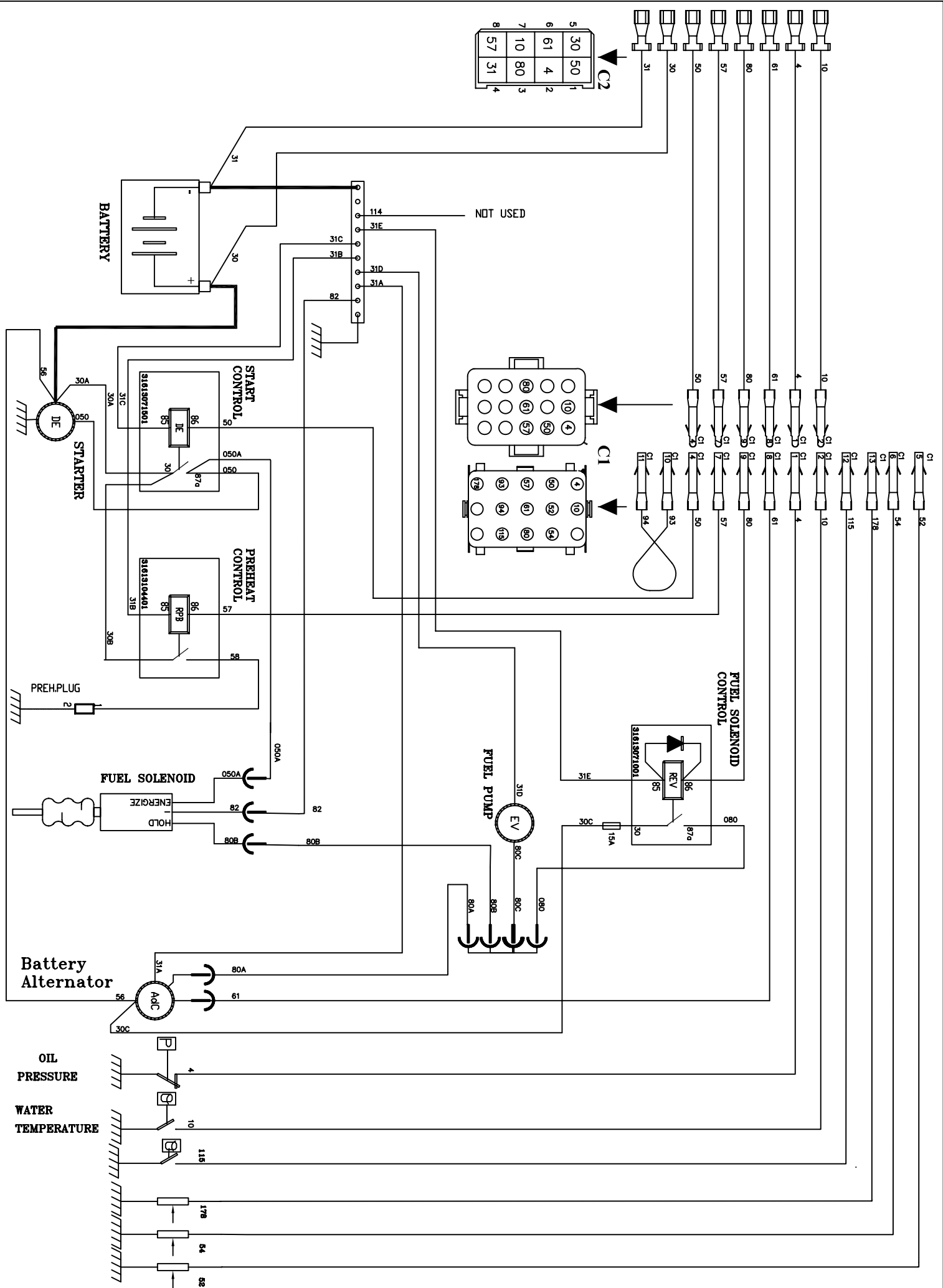
size of wire = 1mm²
 expect the wire where the size is indicated

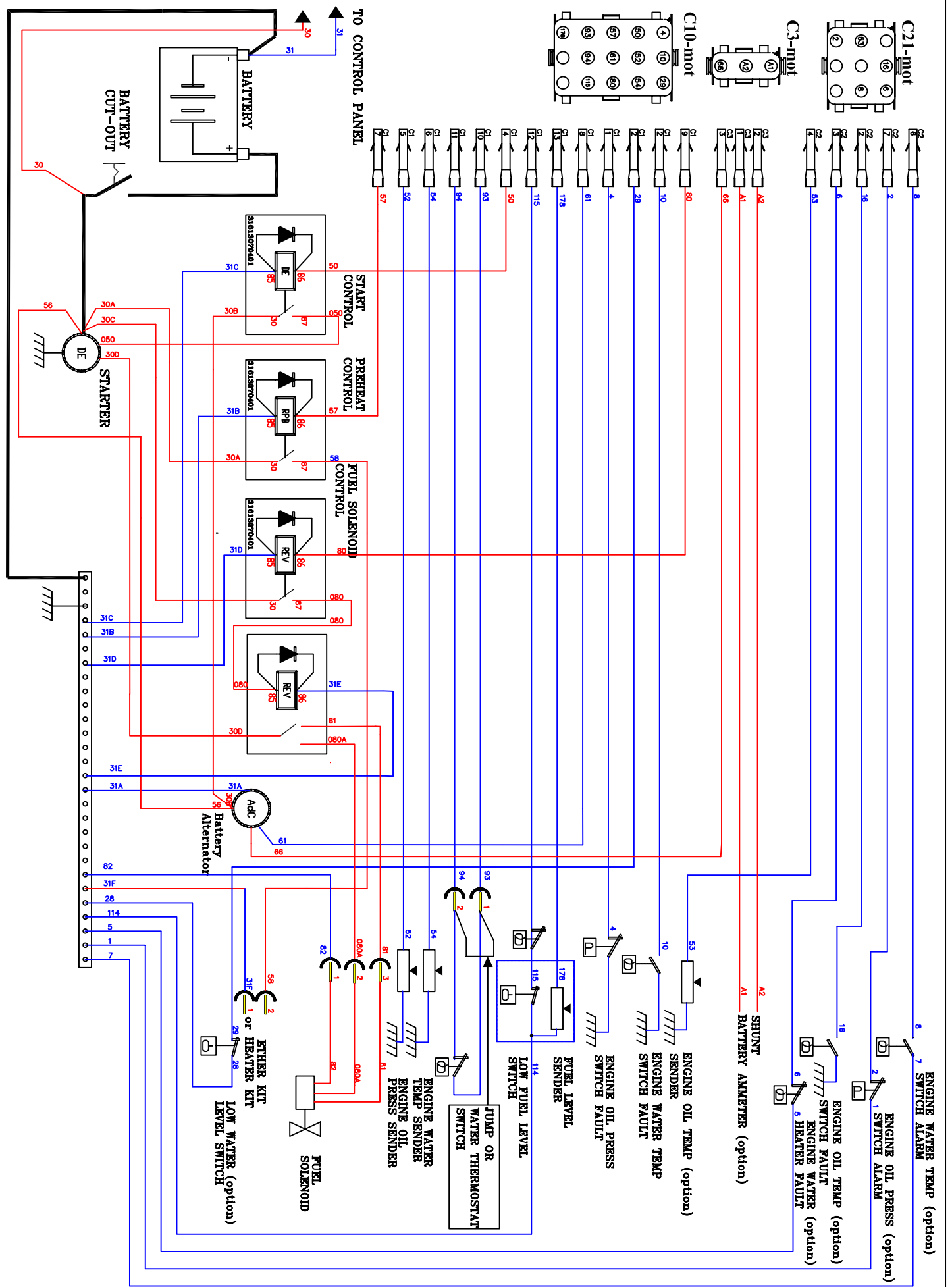


MODIFICATION					
SHEET	D				
MI-02					

SCHEMA DE CABLAGE MOTEUR
 ELECTRICAL ENGINE WIRING

31607511811
 S4Q2



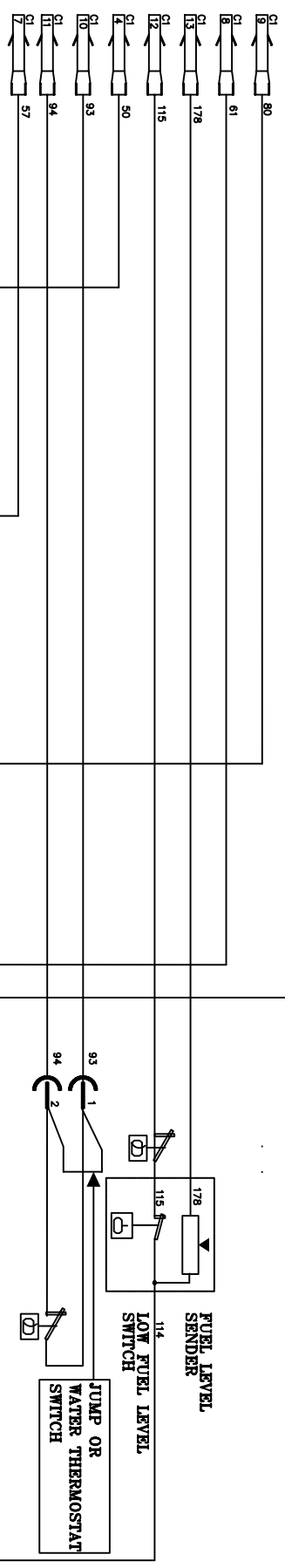
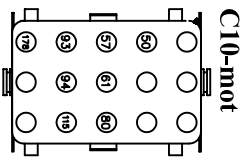
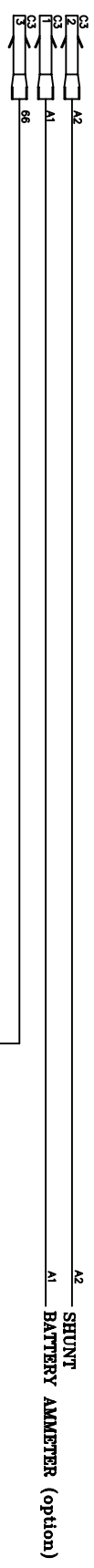
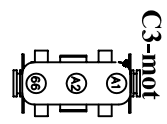
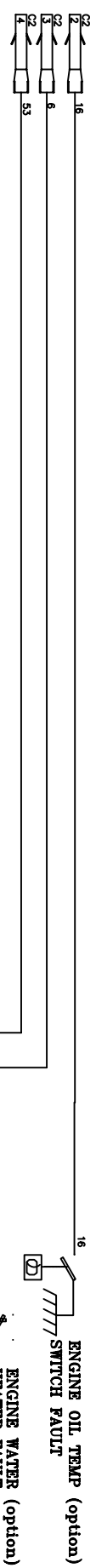
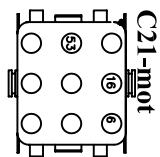


31607165811
 JD-6068-Reg-Mec

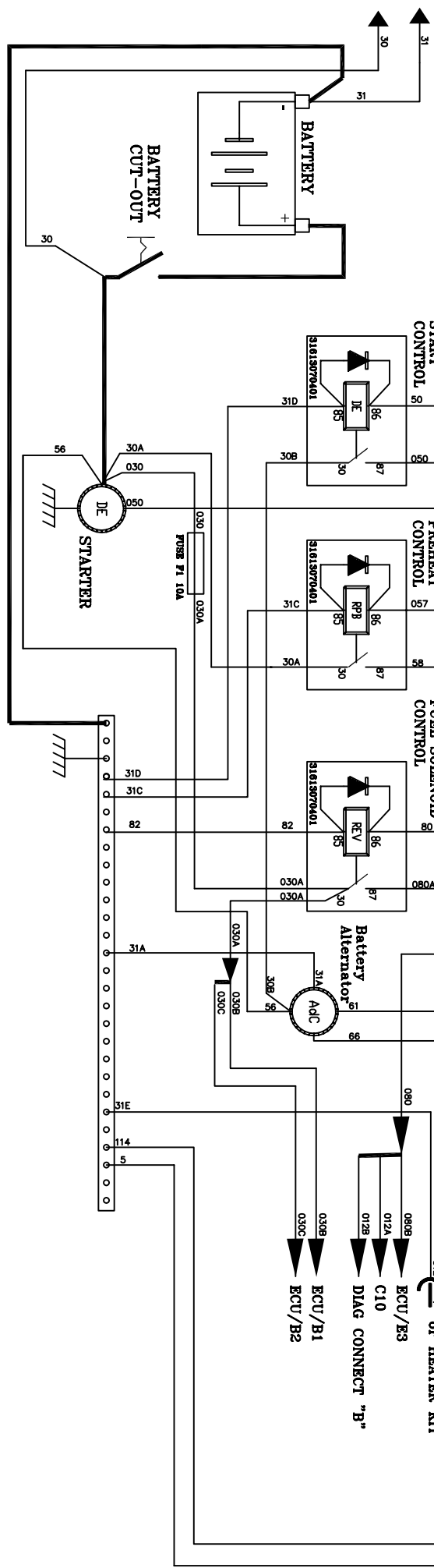
SCHEMA DE CABLAGE MOTEUR
 ELECTRICAL ENGINE WIRING

MODIFICATION	
A	

SHEET
 JD-18



TO CONTROL PANEL

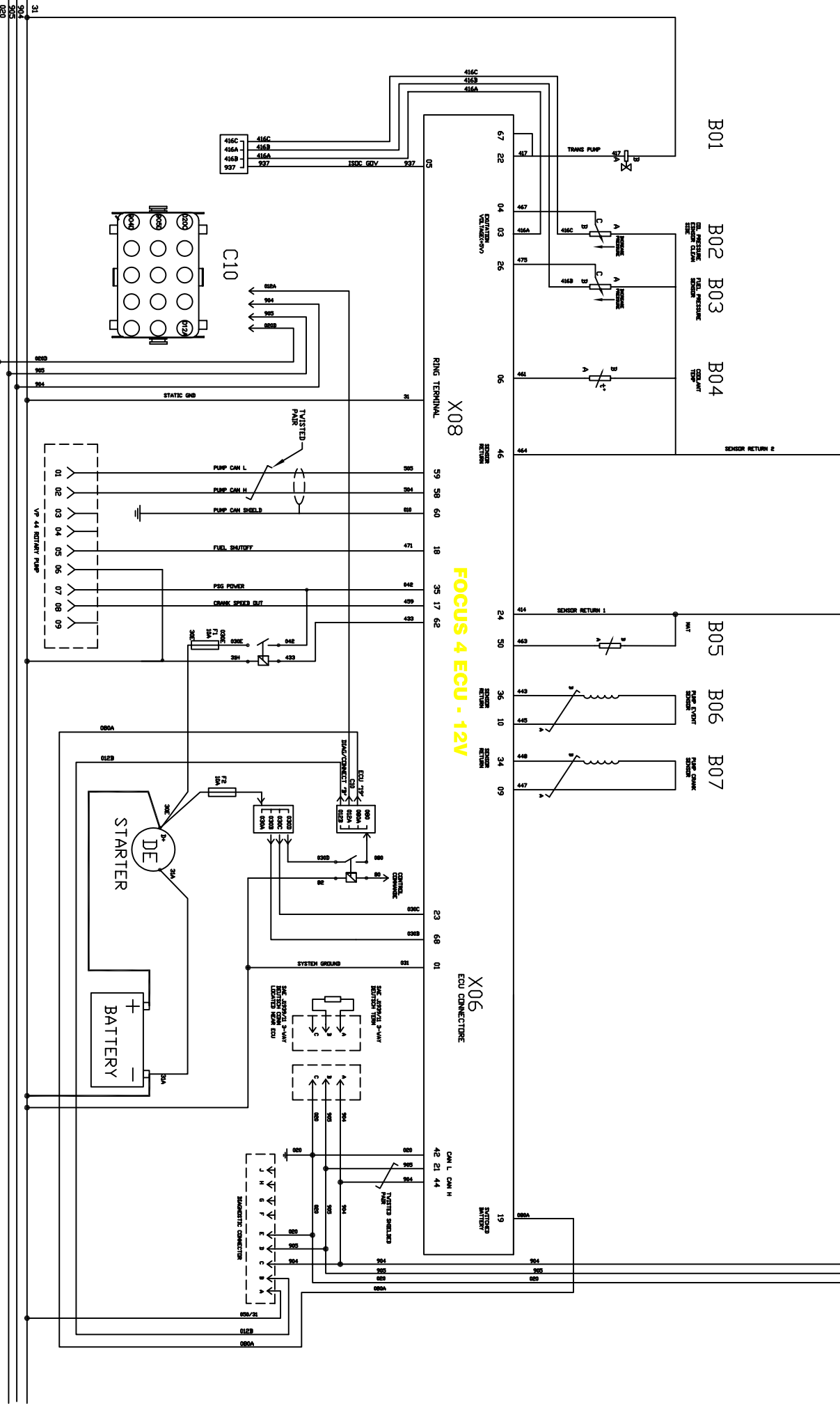


MODIFICATION	
F	
SHEET	
JD-17A	

SCHEMA DE CABLAGE MOTEUR
ELECTRICAL ENGINE WIRING

31607534911
JD-6081-HPCR-J1939

464 OVERRIDE SHUTDOWN RETURN
 060 CAN SHIELD
 904 CAN L
 905 CAN H
 01E ION +EV DR +24V
 414 SENSOR RETURN 1
 464 OVERRIDE SHUTDOWN RETURN
 060 CAN SHIELD
 904 CAN L
 905 CAN H
 01E ION +EV DR +24V
 464 OVERRIDE SHUTDOWN RETURN
 060 CAN SHIELD
 904 CAN L
 905 CAN H
 01E ION +EV DR +24V

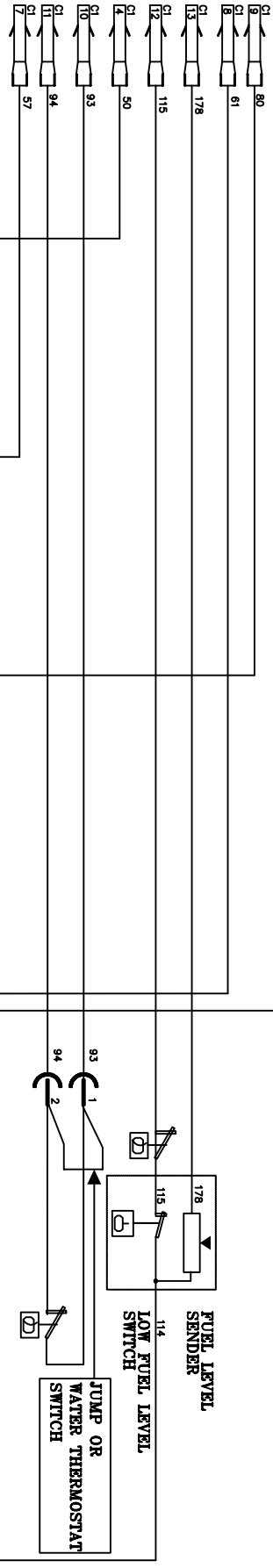
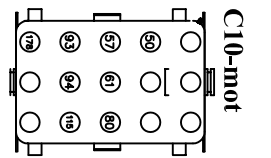
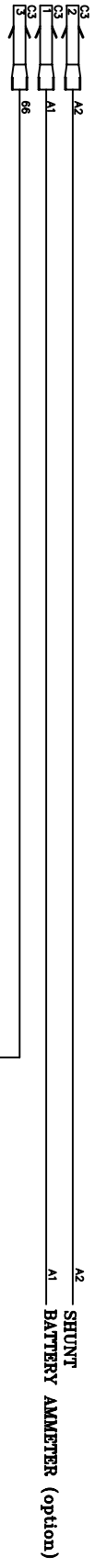
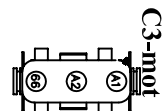
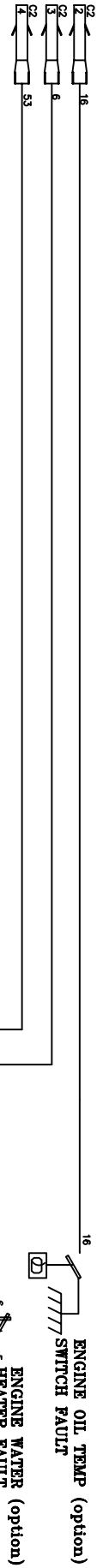
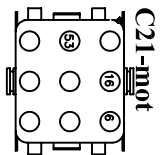


FOCUS 4 ECU - 12V

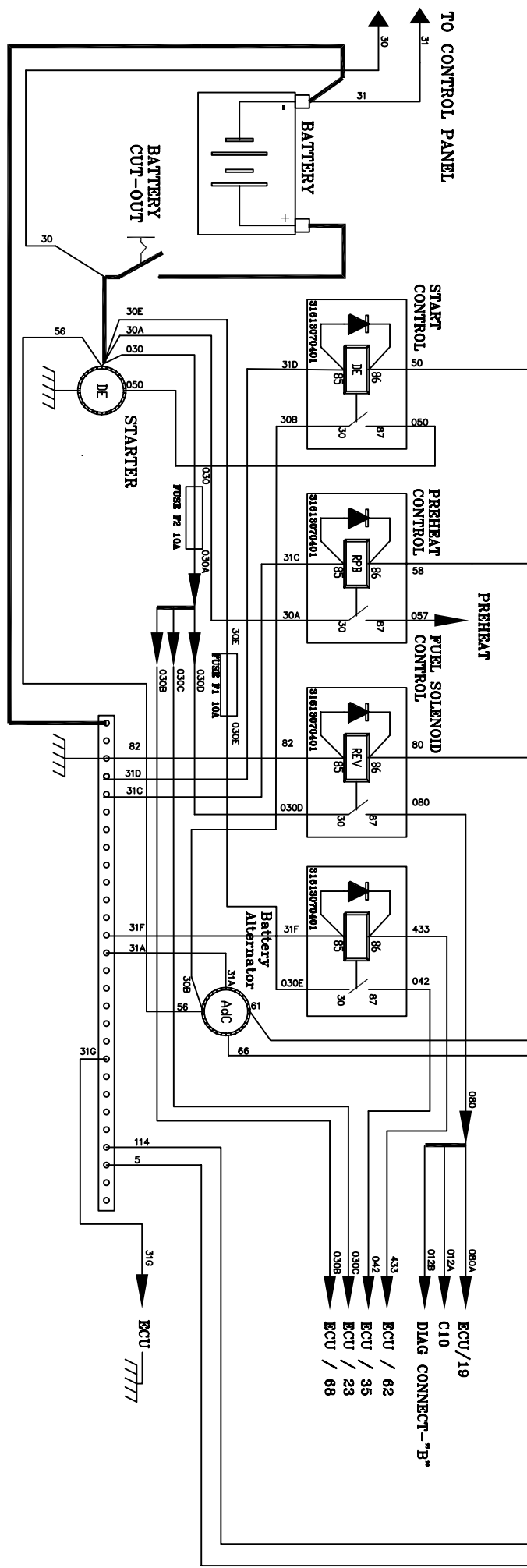
MODIFICATION	
B	

**SCHEMA DE CABLAGE MOTEUR
 ELECTRICAL ENGINE WIRING**

31607514411
 JD-6068-VP44-J1939



TO CONTROL PANEL



MODIFICATION	
SHEET	B
JD-16A	

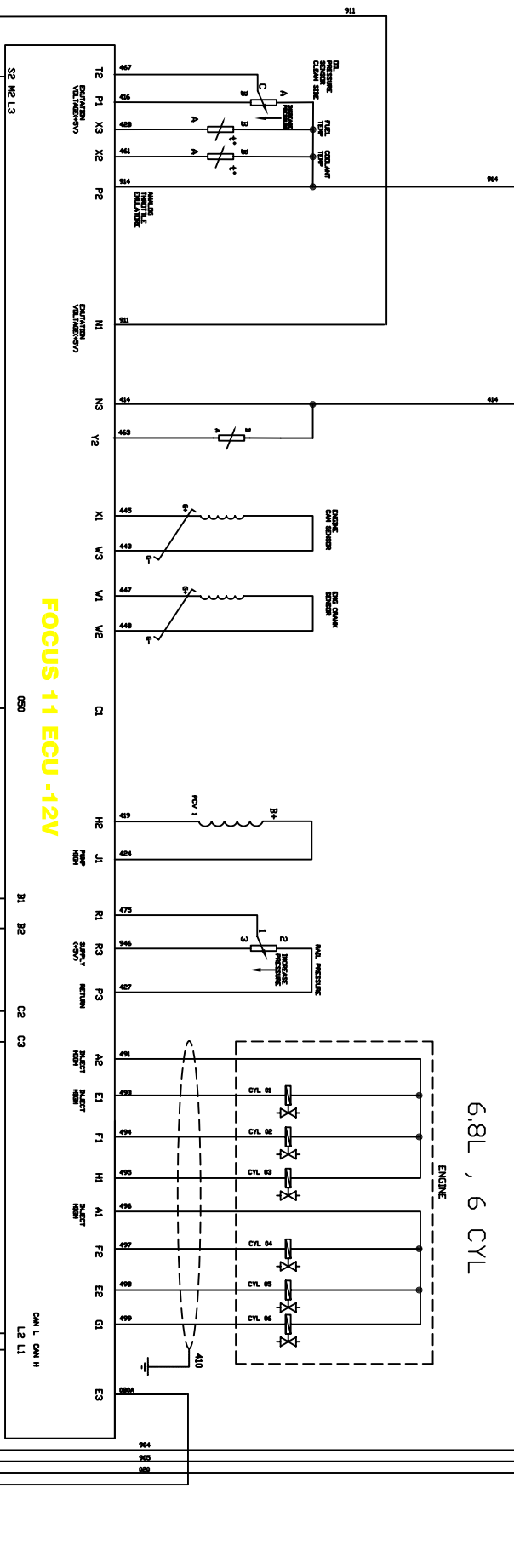
SCHEMA DE CABLAGE MOTEUR
ELECTRICAL ENGINE WIRING

316075114411
JD-6068-VP44-J1939

914 OVERIDE SHUTDOWN RETURN
 020 CAN SHIELD
 904 CAN H
 905 CAN L
 012 IGN +REV BR +24V
 014 SENSOR RETURN

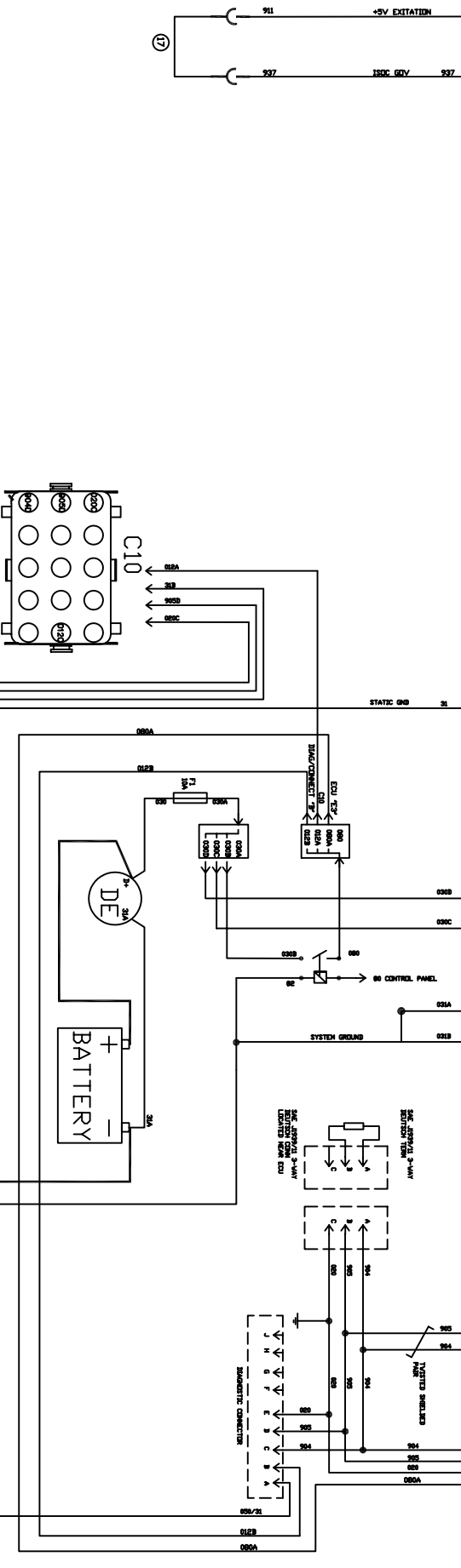
914 OVERIDE SHUTDOWN RETURN
 020 CAN SHIELD
 904 CAN H
 905 CAN L
 012 IGN +REV BR +24V
 014 SENSOR RETURN

914 OVERIDE SHUTDOWN RETURN
 020 CAN SHIELD
 904 CAN H
 905 CAN L
 012 IGN +REV BR +24V
 014 SENSOR RETURN



FOCUS 11 ECU -12V

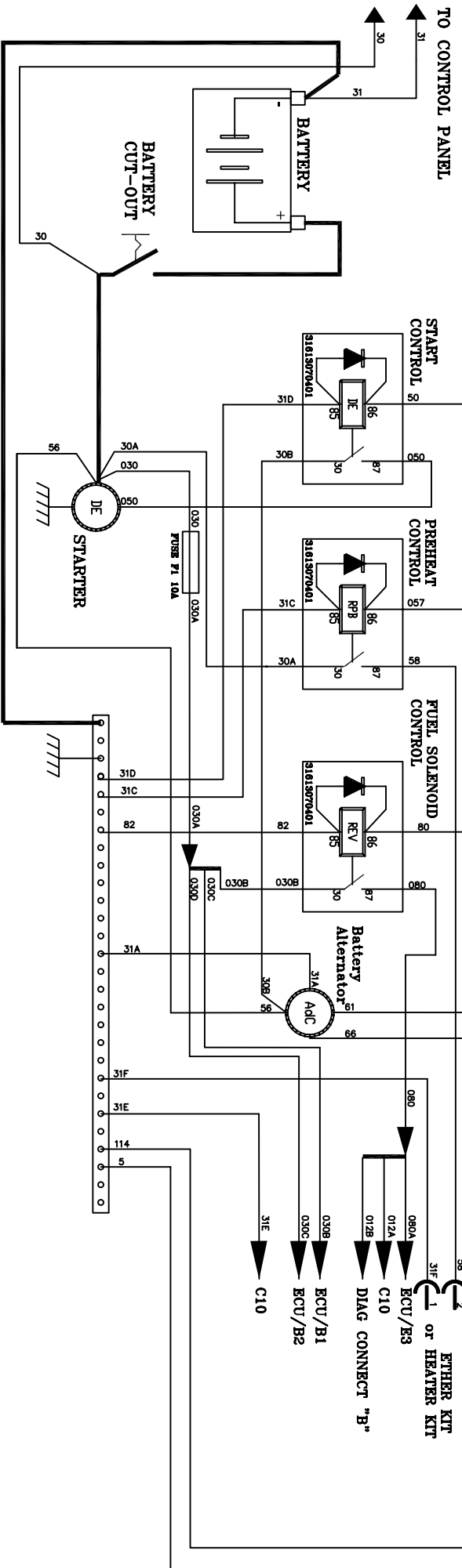
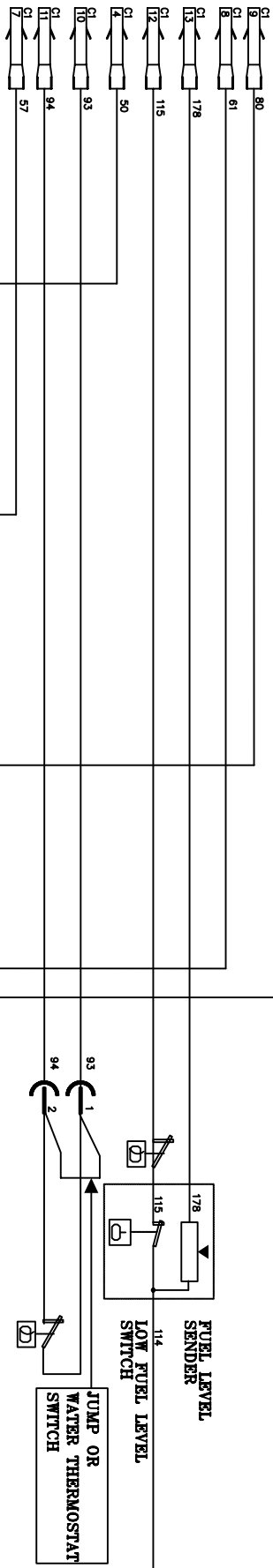
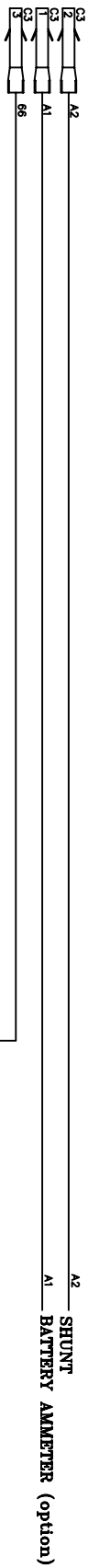
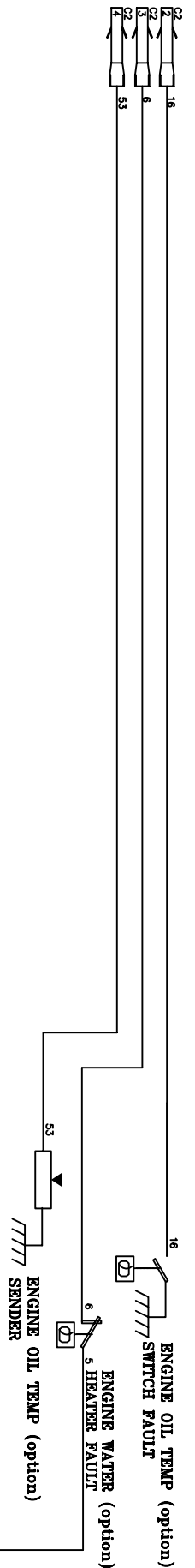
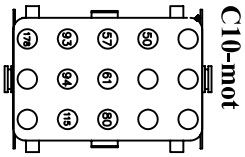
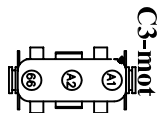
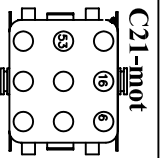
6.8L , 6 CYL



31
 904
 905
 020

31
 904
 905
 020

31
 904
 905
 020



31607515111

JD-6068-HPCR-1939

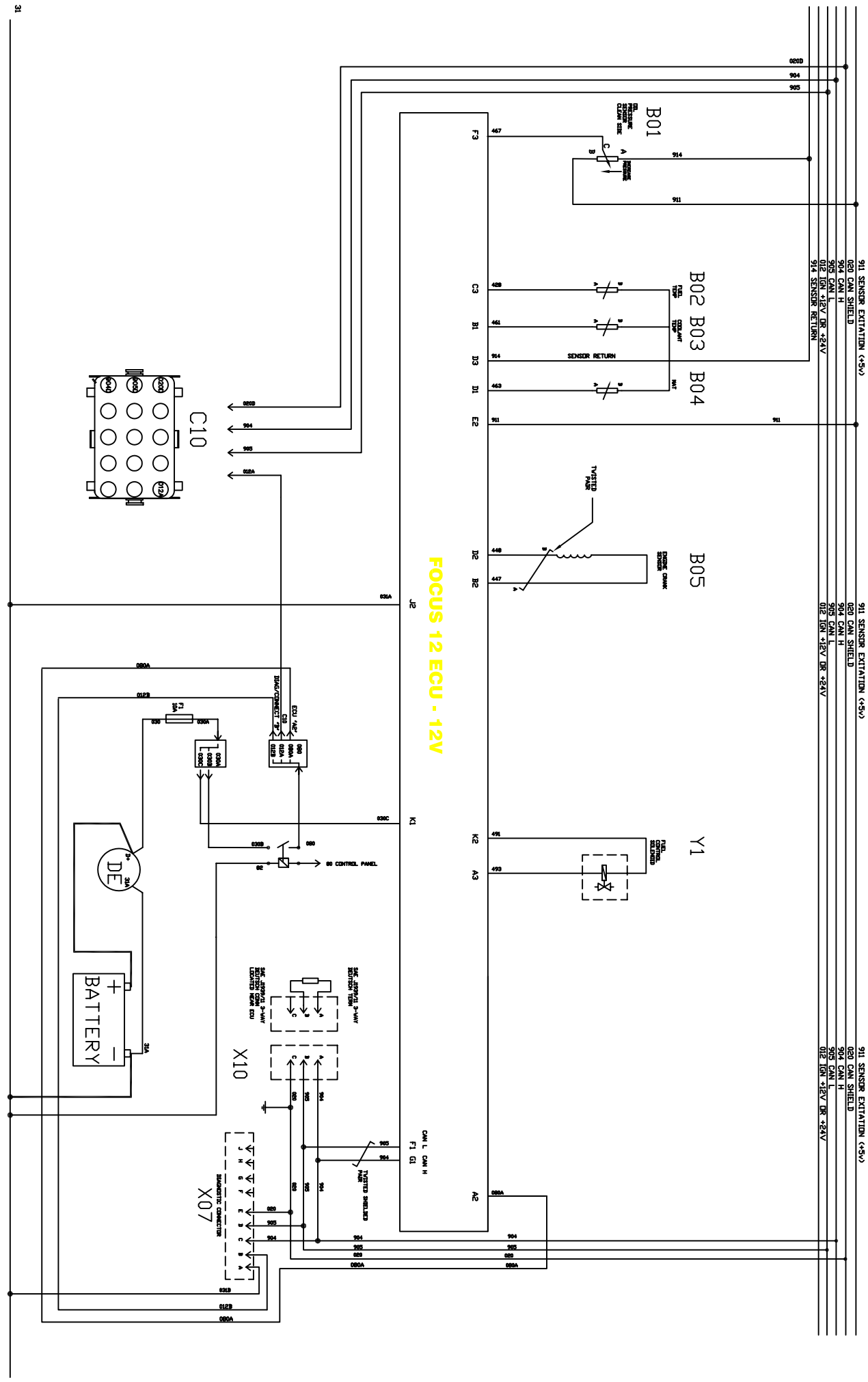
SCHEMA DE CABLAGE MOTEUR
ELECTRICAL ENGINE WIRING

MODIFICATION

B

SHEET

JD-15A



911 SENSOR EXTIMATION (<+5V>)
 020 CAN SHIELD
 904 CAN H
 905 CAN L
 012 IGN +12V DR +24V
 914 SENSOR RETURN

911 SENSOR EXTIMATION (<+5V>)
 020 CAN SHIELD
 904 CAN H
 905 CAN L
 012 IGN +12V DR +24V
 914 SENSOR RETURN

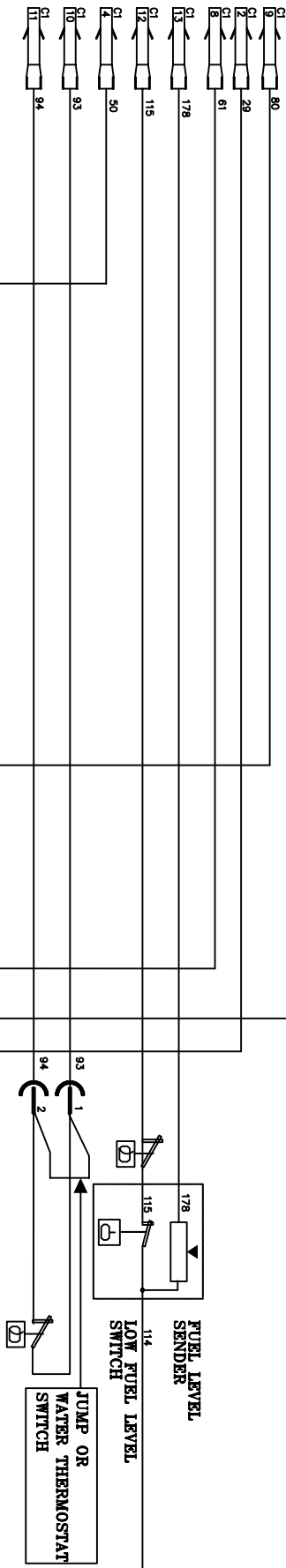
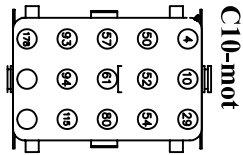
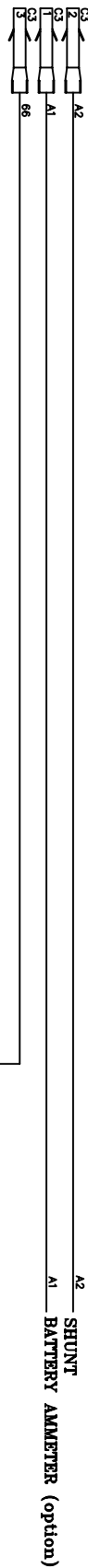
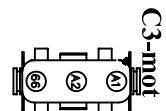
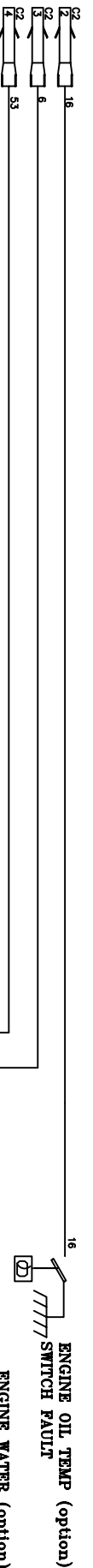
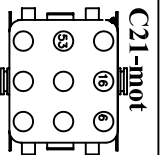
911 SENSOR EXTIMATION (<+5V>)
 020 CAN SHIELD
 904 CAN H
 905 CAN L
 012 IGN +12V DR +24V
 914 SENSOR RETURN

FOCUS 12 ECU - 12V

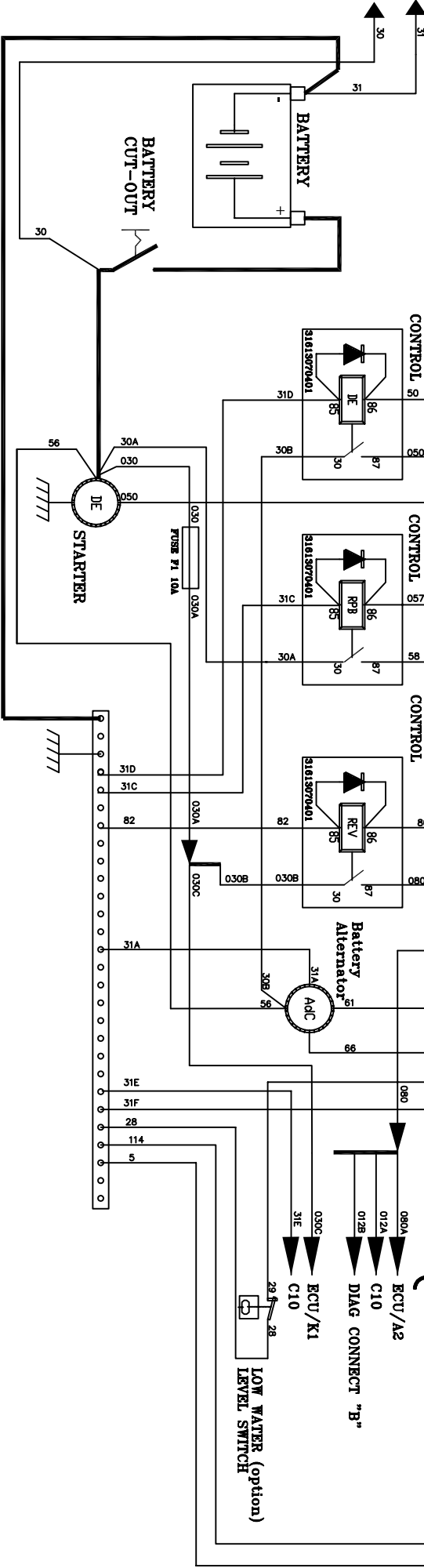
MODIFICATION	
A	

**SCHEMA DE CABLAGE MOTEUR
 ELECTRICAL ENGINE WIRING**

31607534811
 JD-6068-DE10-J1939



TO CONTROL PANEL



MODIFICATION	
SHEET	A
JD-14A	

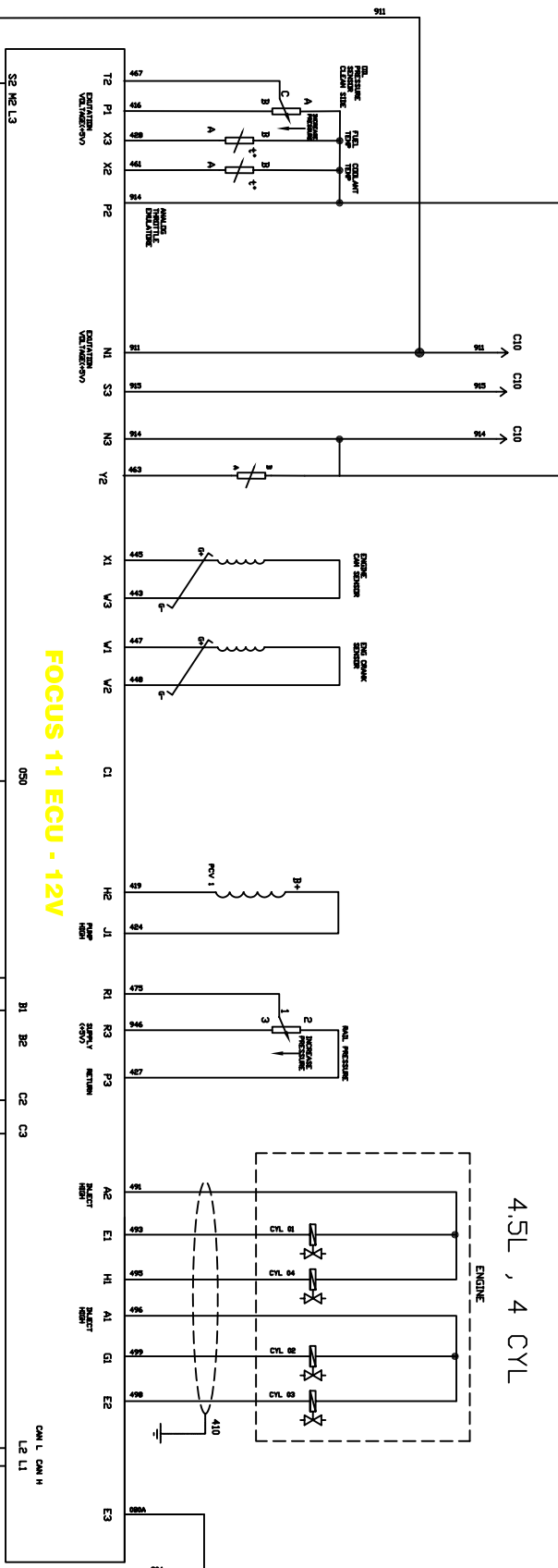
SCHEMA DE CABLAGE MOTEUR
ELECTRICAL ENGINE WIRING

3160734811
JD-6068-DE10-J1939

914 OVERIDE SHUTDOWN RETURN
 020 CAN SHIELD
 904 CAN L
 905 CAN H
 012 IGN +5EV BR +24V
 014 SENSOR RETURN

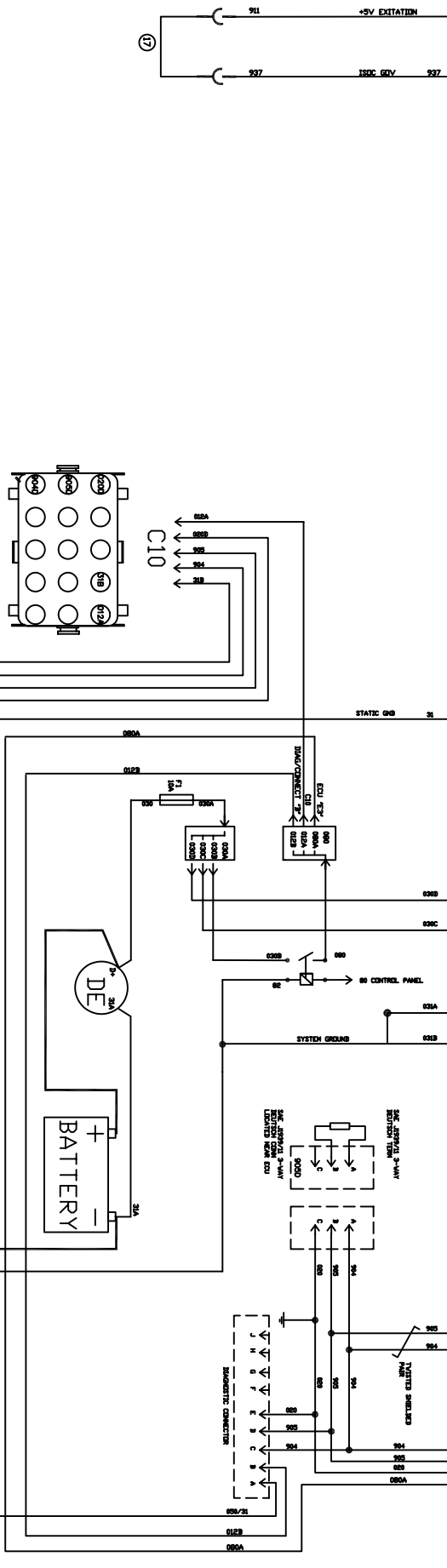
914 OVERIDE SHUTDOWN RETURN
 020 CAN SHIELD
 904 CAN L
 905 CAN H
 012 IGN +5EV BR +24V
 014 SENSOR RETURN

914 OVERIDE SHUTDOWN RETURN
 020 CAN SHIELD
 904 CAN L
 905 CAN H
 012 IGN +5EV BR +24V
 014 SENSOR RETURN



FOCUS 11 ECU - 12V

4.5L , 4 CYL

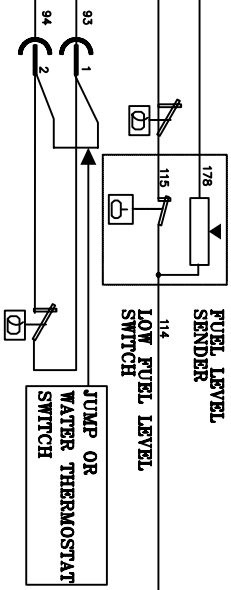
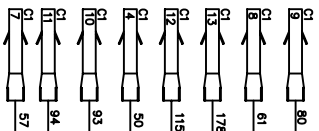
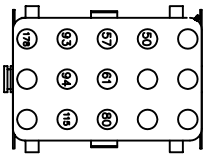
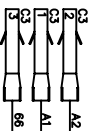
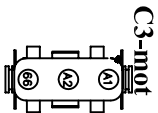
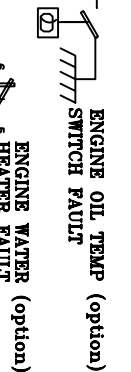
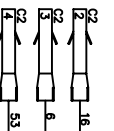
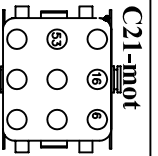


31
 914
 915
 020

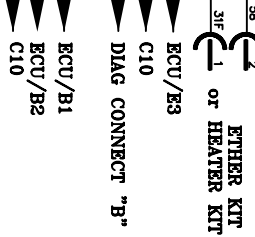
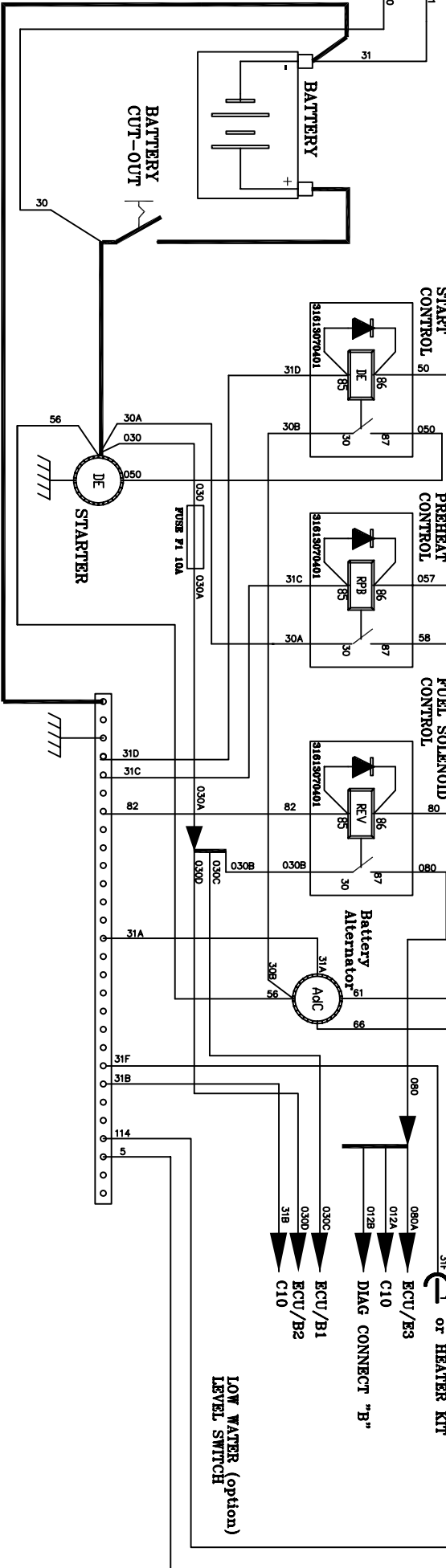
MODIFICATION	
B	

SCHEMA DE CABLAGE MOTEUR
 ELECTRICAL ENGINE WIRING

31607514611
 JD-4045-HPCR-J1939



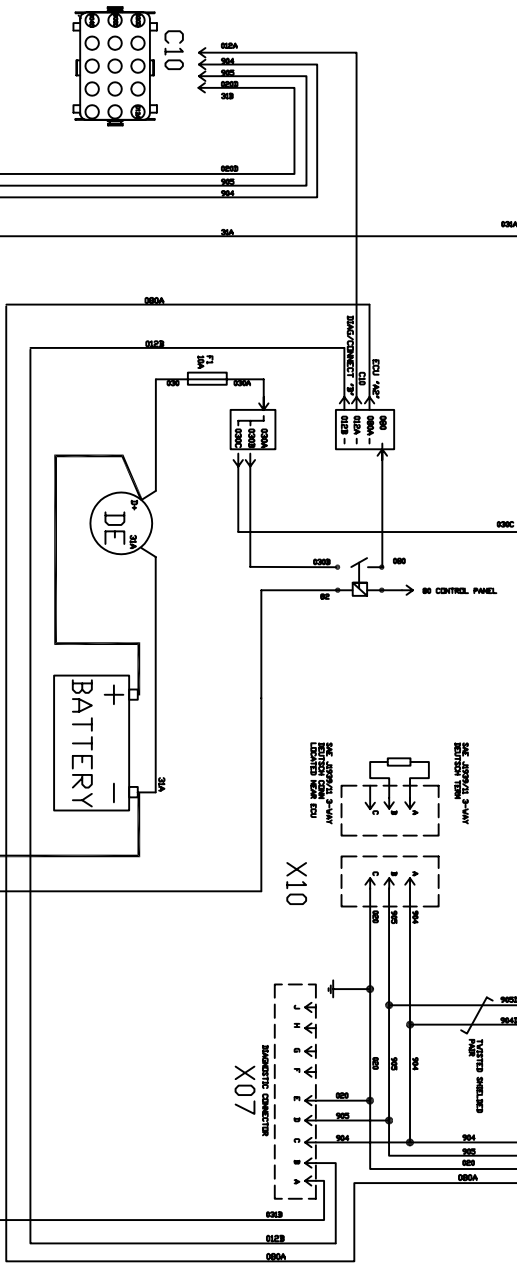
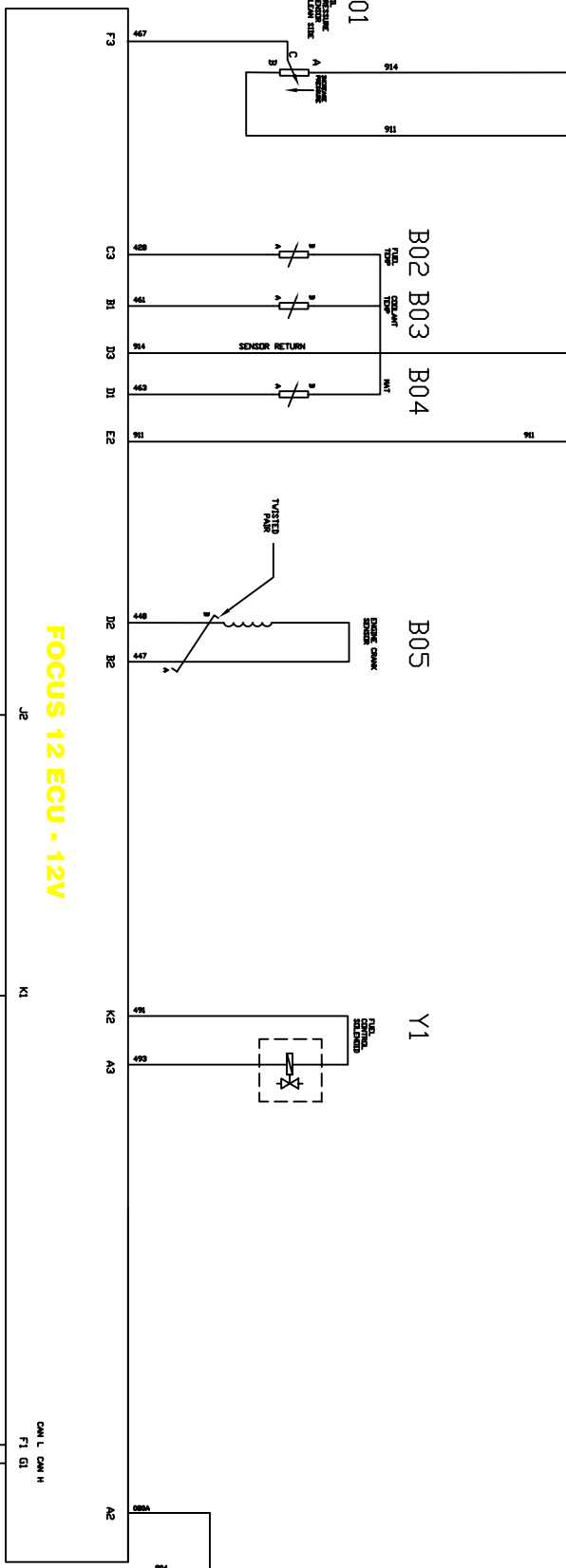
TO CONTROL PANEL



911 SENSOR EXTIMATION (<+5V>)
 020 CAN SHIELD
 904 CAN H
 905 CAN L
 012 ION +5EV DR +24V
 914 SENSOR RETURN

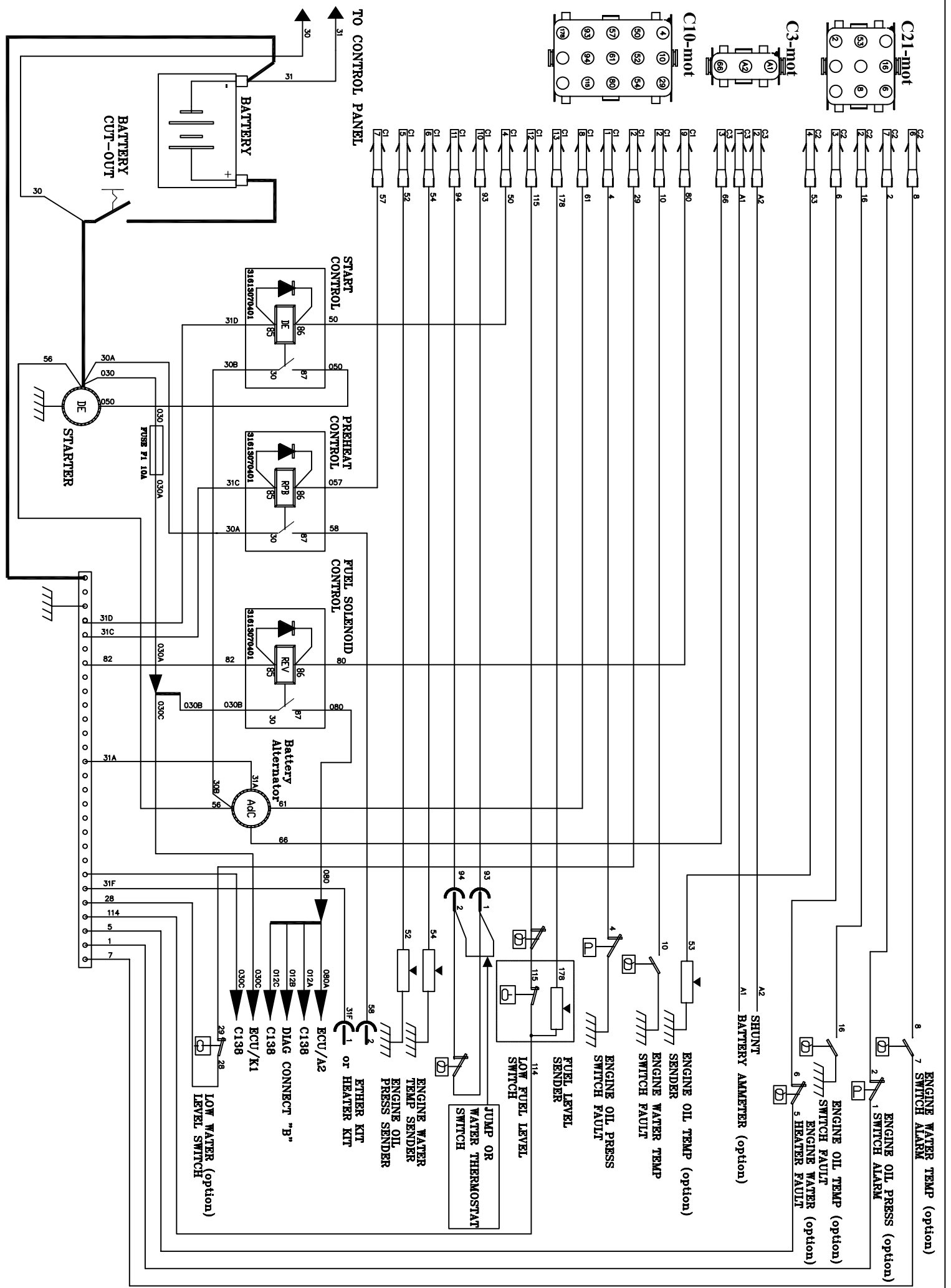
911 SENSOR EXTIMATION (<+5V>)
 020 CAN SHIELD
 904 CAN H
 905 CAN L
 012 ION +5EV DR +24V
 914 SENSOR RETURN

911 SENSOR EXTIMATION (<+5V>)
 020 CAN SHIELD
 904 CAN H
 905 CAN L
 012 ION +5EV DR +24V
 914 SENSOR RETURN



31
 904
 905
 020

31
 904
 905
 020



MODIFICATION	
SHEET	A
JD-11A	

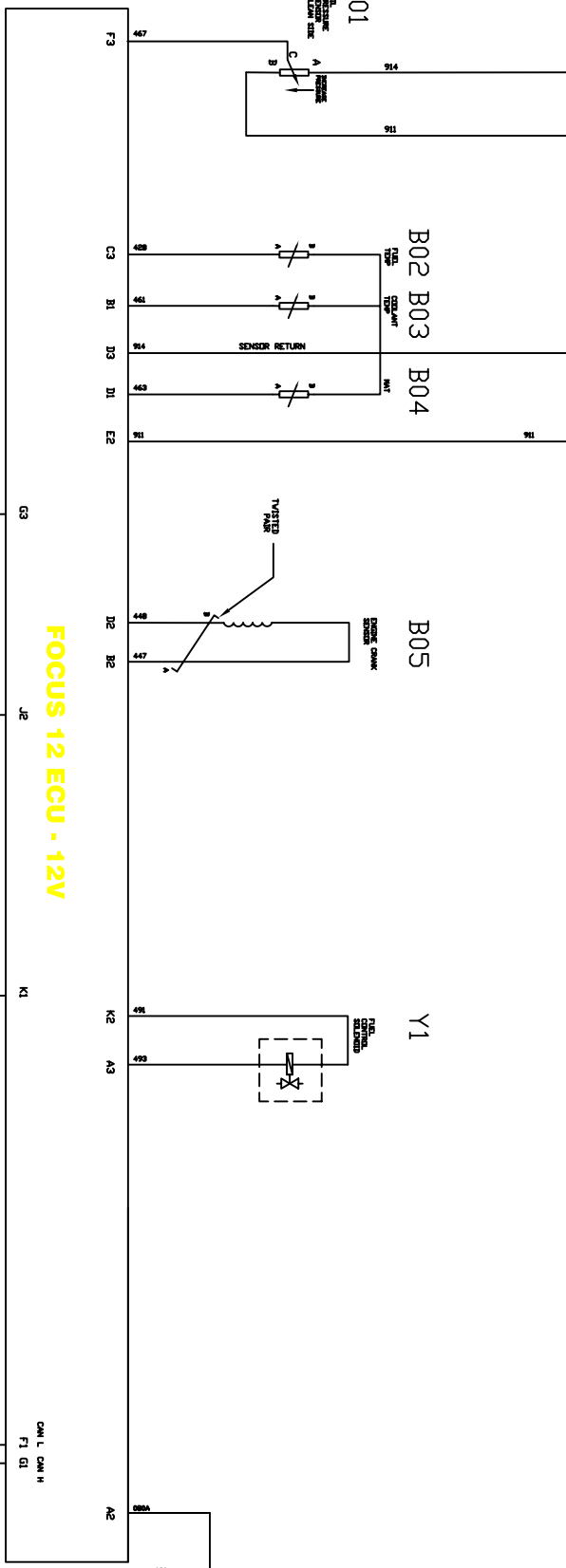
SCHEMA DE CABLAGE MOTEUR
ELECTRICAL ENGINE WIRING

31607522711
JD-6068-DE10

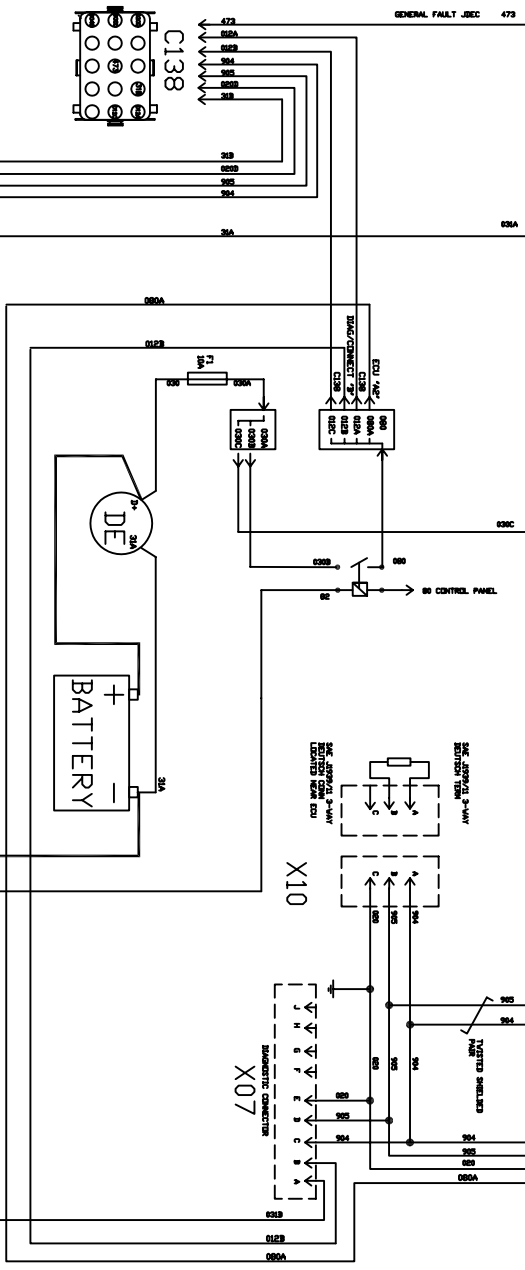
911 SENSOR EXTIMATION (<+5V>)
 020 CAN SHIELD
 904 CAN H
 905 CAN L
 012 ION +5EV DR +24V
 914 SENSOR RETURN

911 SENSOR EXTIMATION (<+5V>)
 020 CAN SHIELD
 904 CAN H
 905 CAN L
 012 ION +5EV DR +24V
 914 SENSOR RETURN

911 SENSOR EXTIMATION (<+5V>)
 020 CAN SHIELD
 904 CAN H
 905 CAN L
 012 ION +5EV DR +24V
 914 SENSOR RETURN

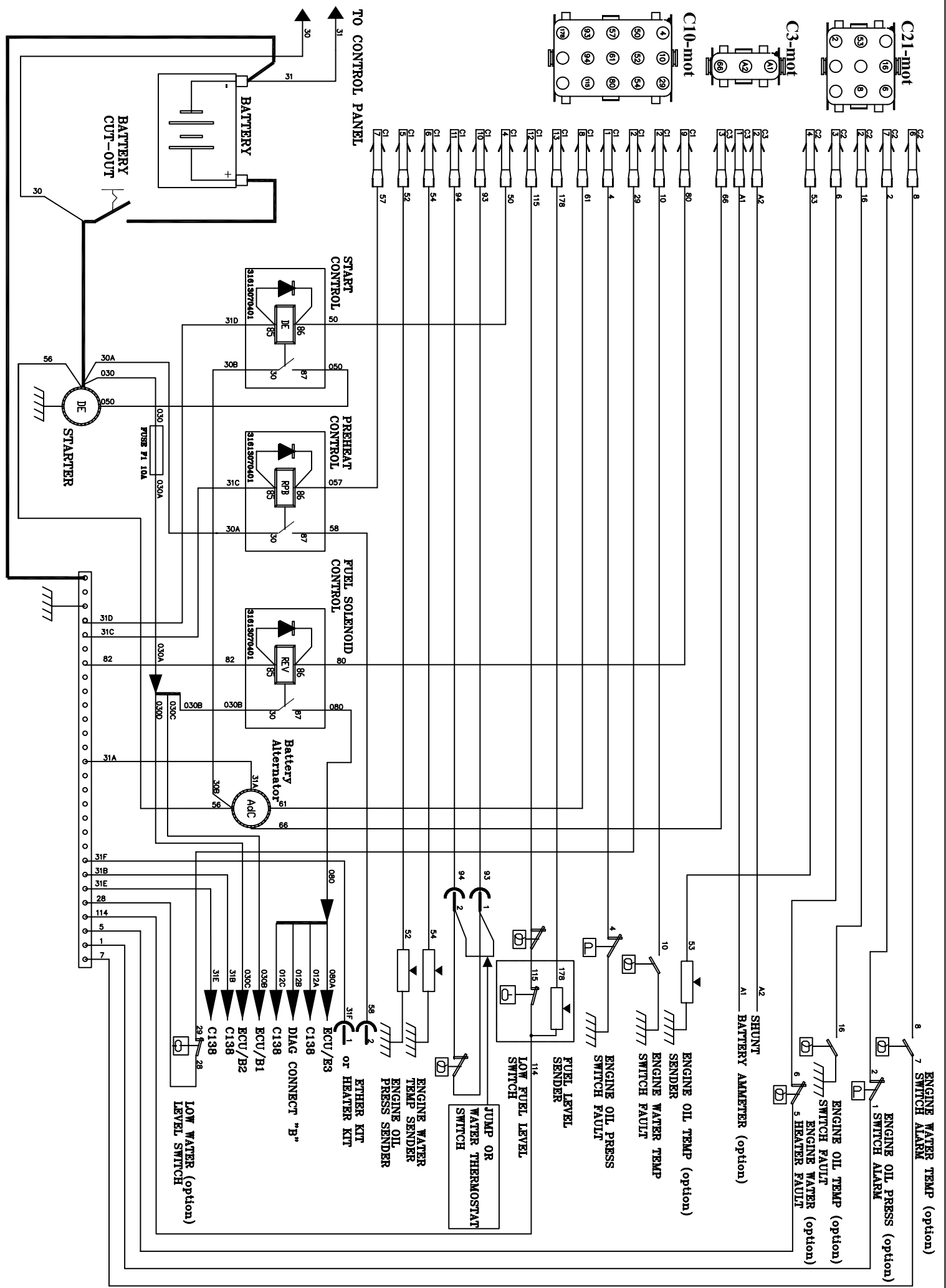


FOCUS 12 ECU - 12V



31
 904
 905
 020

31
 904
 905
 020



MODIFICATION	
SHEET	B
JD-09A	

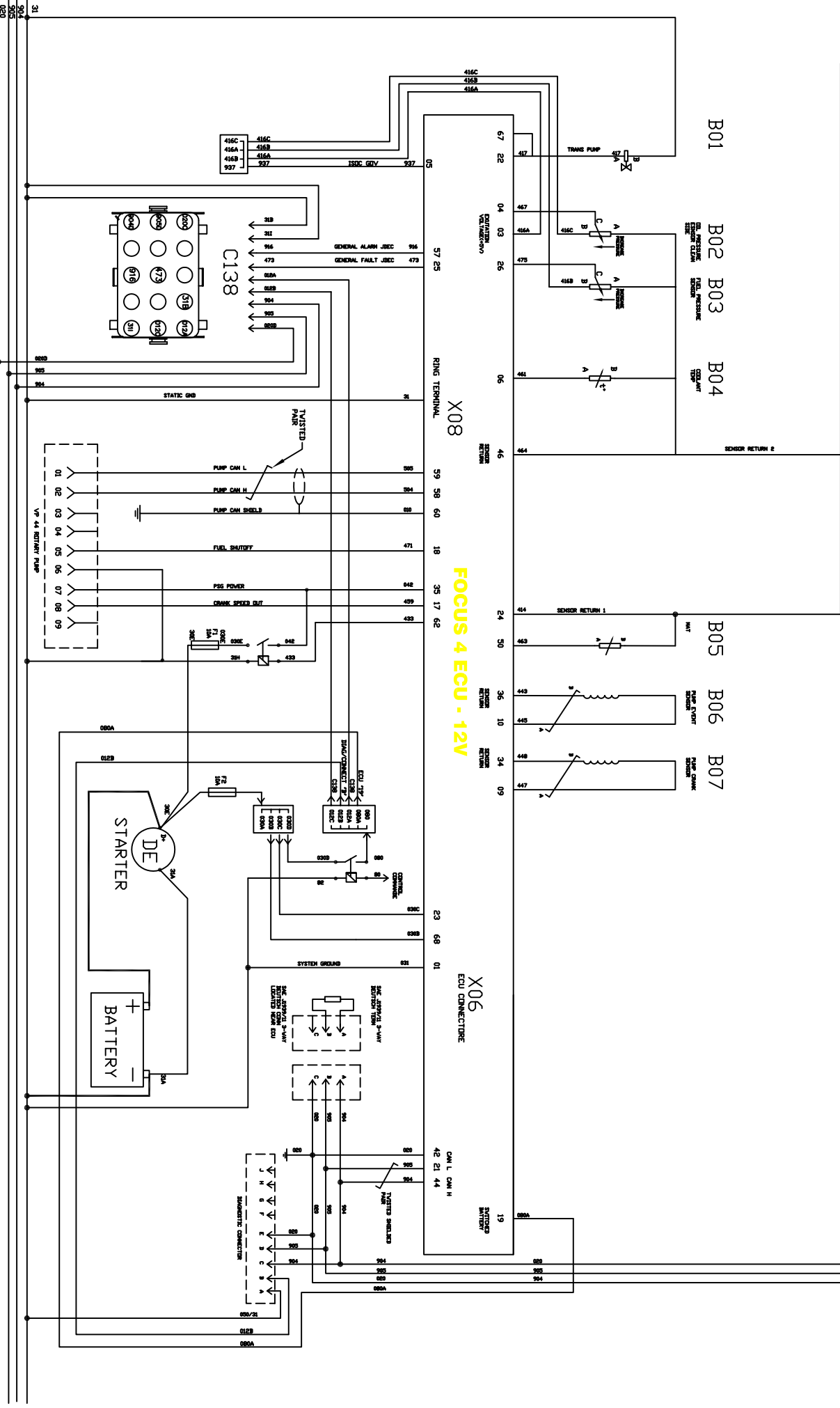
SCHEMA DE CABLAGE MOTEUR
ELECTRICAL ENGINE WIRING

31607515011
JD-6068-HPCR

464 OVERRIDE SHUTDOWN RETURN
 060 CAN SHIELD
 904 CAN L
 905 CAN H
 01E ION +EV DR +24V
 414 SENSOR RETURN 1

464 OVERRIDE SHUTDOWN RETURN
 060 CAN SHIELD
 904 CAN L
 905 CAN H
 01E ION +EV DR +24V
 01E ION +EV DR +24V

464 OVERRIDE SHUTDOWN RETURN
 060 CAN SHIELD
 904 CAN L
 905 CAN H
 01E ION +EV DR +24V
 01E ION +EV DR +24V

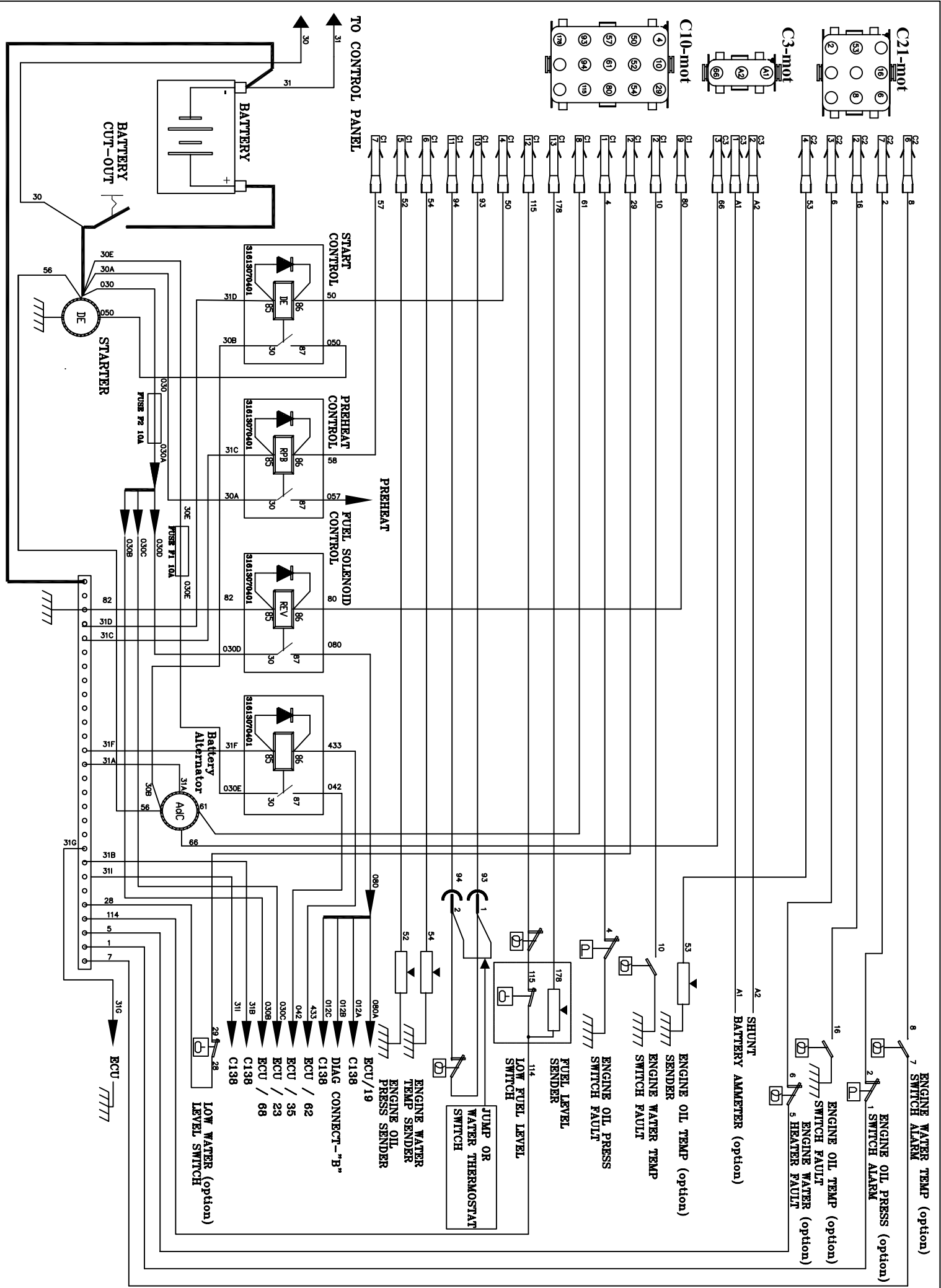


FOCUS 4 ECU - 12V

MODIFICATION	
B	

SCHEMA DE CABLAGE MOTEUR
 ELECTRICAL ENGINE WIRING

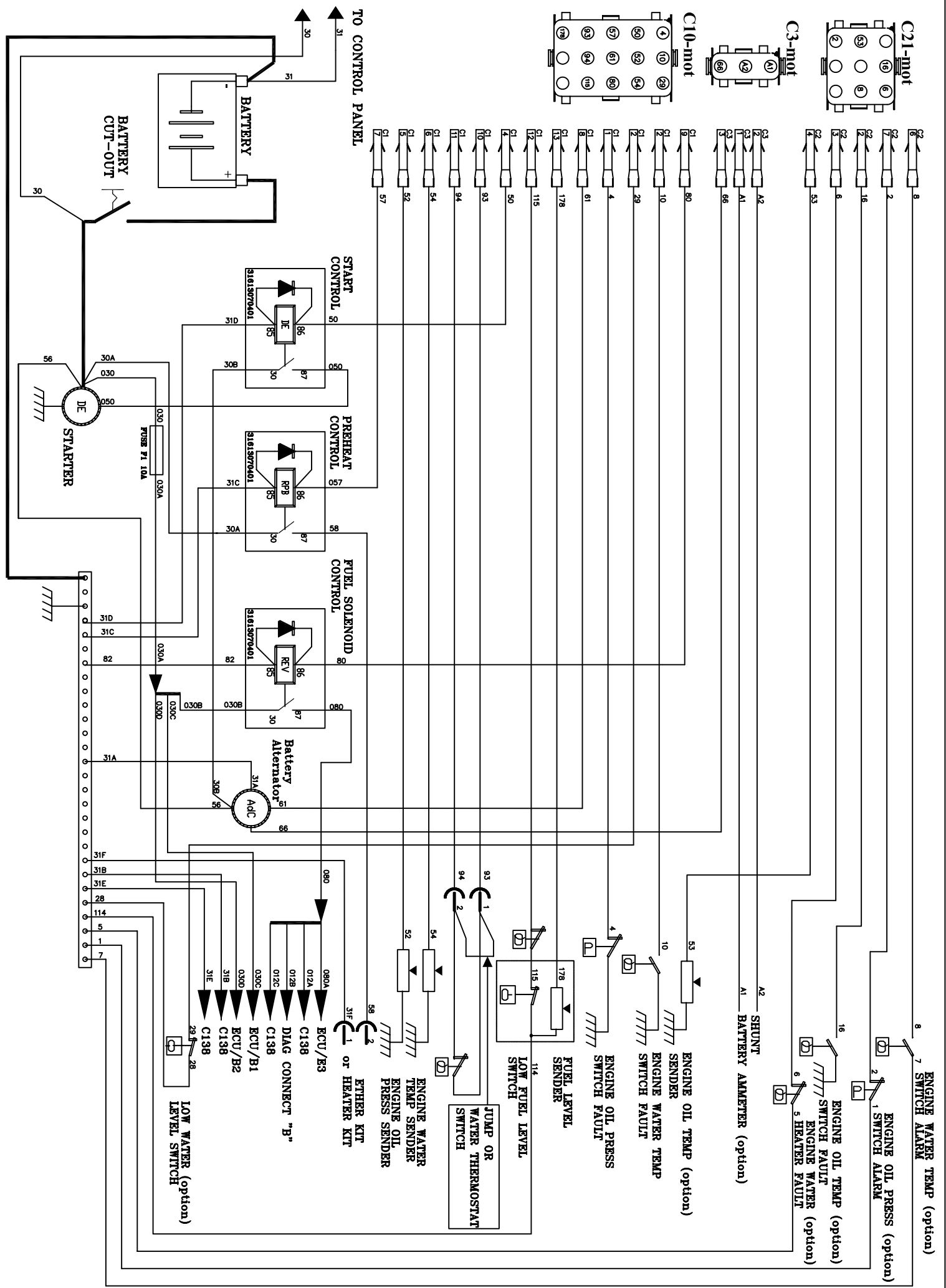
31607513601
 JD-6068-VP44



MODIFICATION	
SHEET	B
JD-08A	

SCHEMA DE CABLAGE MOTEUR
ELECTRICAL ENGINE WIRING

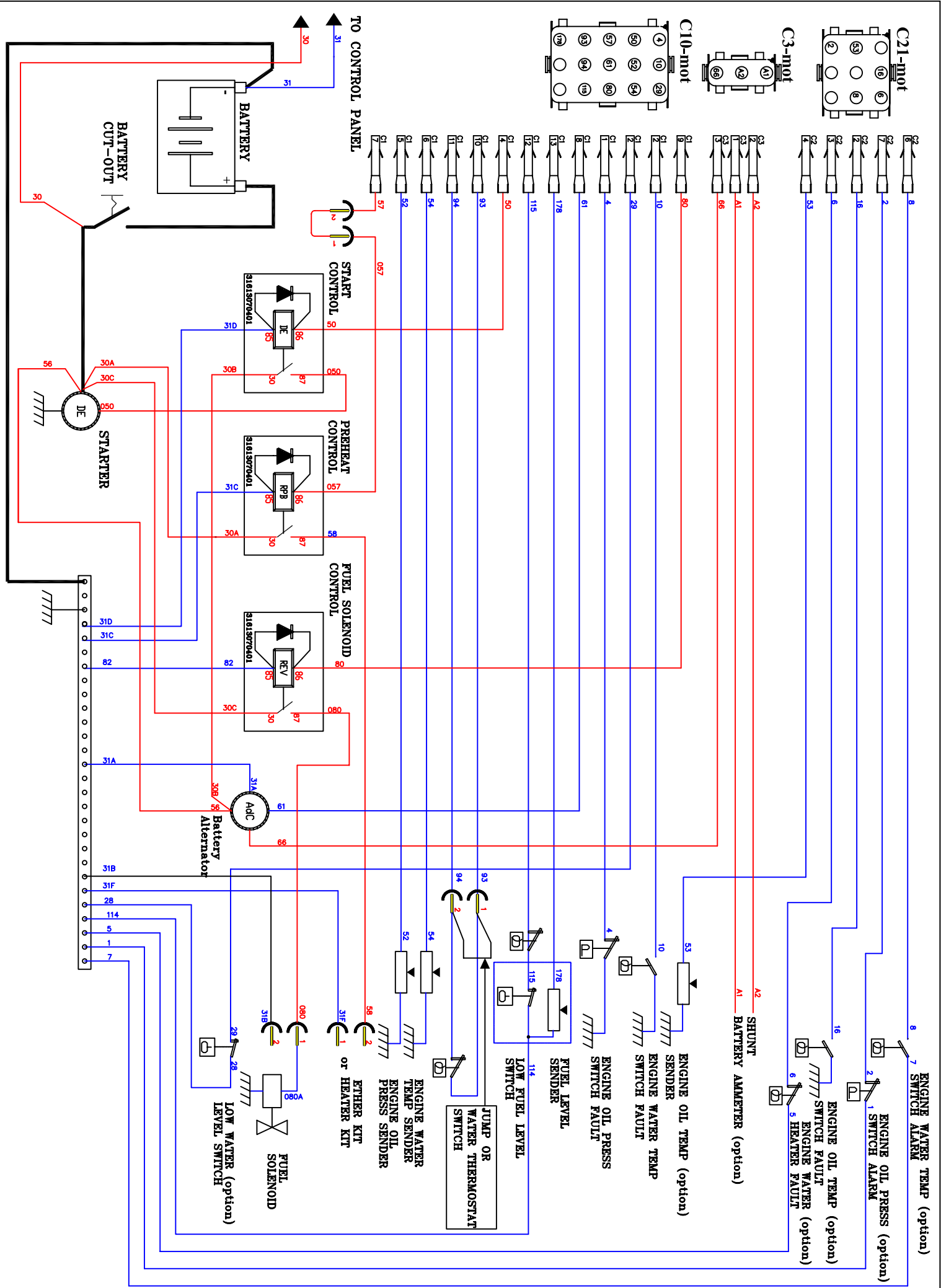
31607513611
JD-6068-VP44



MODIFICATION	
SHEET	B
JD-06A	

SCHEMA DE CABLAGE MOTEUR
ELECTRICAL ENGINE WIRING

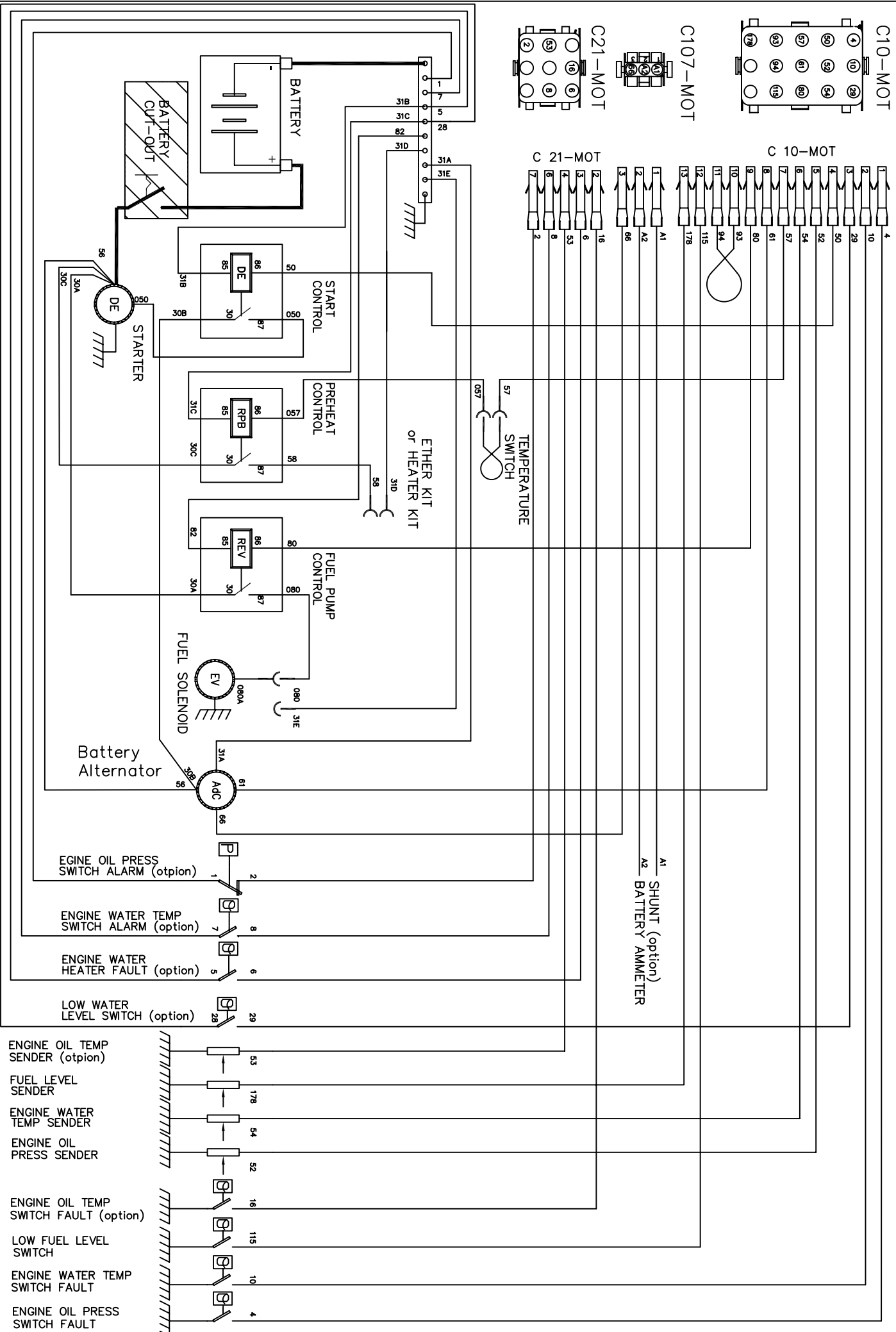
31607513911
JD-4045-HPCR



MODIFICATION	
SHEET	JD-04

SCHEMA DE CABLAGE MOTEUR
ELECTRICAL ENGINE WIRING

31607165811
JD-6068-Reg-Mec



JD-02	SHEET	MODIFICATION
		D

SCHEMA DE CABLAGE MOTEUR
ELECTRICAL ENGINE WIRING

31607081011
3029-TT-OPTS