

[Previous Screen](#)

Product: GEN SET ENGINE
Model: 3516 GEN SET ENGINE 5SJ
Configuration: 3516 Generator Set Engine 5SJ00001-UP

Operation and Maintenance Manual 3500 Industrial and Generator Set Engines

Media Number -SEBU6701-03

Publication Date -01/09/2005

Date Updated -07/09/2005

i01106228

Fan Drive Bearing - Lubricate

SMCS - 1359-086-BD

Note: Lubricate the bearing more frequently if the engine is operated in an environment that is dusty, hot, or humid.

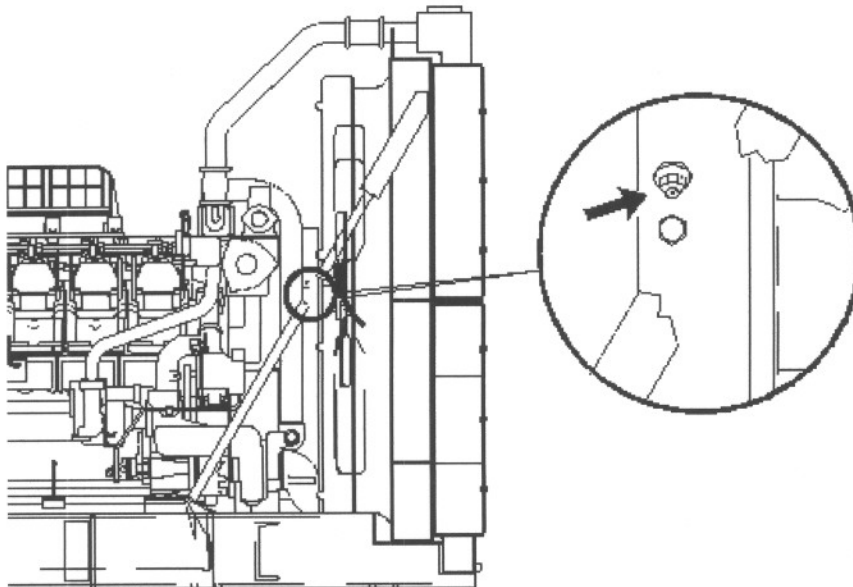


Illustration 1
Grease fitting

g00583459

Fill the grease fitting for the fan drive bearing with Caterpillar Bearing Lubricant. Alternatively, use a multipurpose grease that has three to five percent of molybdenum and a grade of NLGI No. 2.

Copyright 1993 - 2007 Caterpillar Inc.
All Rights Reserved.
Private Network For SIS Licensees.

Wed May 30 22:05:49 EDT 2007