

Return



Service Information System

Shutdown SIS

[Previous Screen](#)

< Product: GEN SET ENGINE
Model: 3512 GEN SET ENGINE 3YF
Configuration: 3512 ENGINE GENERATOR SET 3YF00001-UP

Engine News

2003/04/01

Media Number -SEBD9320-00

Publication Date -01/04/2003

Date Updated -01/04/2003

i01836391

Procedure for Tightening the Locknut for the Fan Drive on 3500 Engines {1359}

SMCS - 1359

Engine: Commercial

• 3500 Family

This procedure is used for 3500 engines that have the following part numbers for the fan drive:

- 7C-1664
- 7C-1665
- 7W-3952
- 7W-3953
- 129-7578

Note: A 1U-8855 Spanner Socket must be used in order to accomplish this procedure.

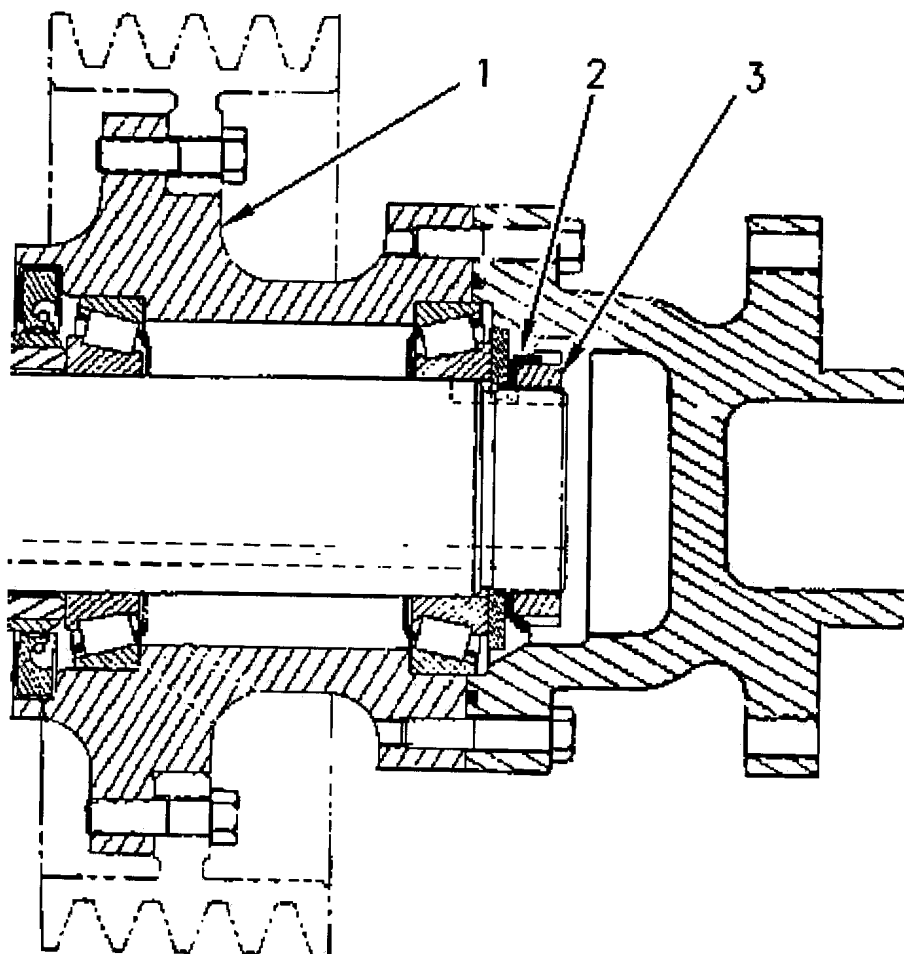


Illustration 1

g00949943

(1) Hub

(2) Lockwasher

(3) Locknut

1. While you are rotating hub (1), tighten locknut (3) to 370 N·m (273 lb ft).
2. Loosen locknut (3) by one complete turn.
3. While you are rotating hub (1), tighten locknut (3) to 180 N·m (133 lb ft).
4. Loosen locknut (3) by a 1/8 turn.

5. Lock the locknut in place by bending a tab of lockwasher (2) into the slot of locknut (3) .

Copyright 1993 - 2007 Caterpillar Inc.
All Rights Reserved.
Private Network For SIS Licensees.

Thu Dec 13 09:16:15 EST 2007