

**XRVS 476 Cd**  
**XRVS 1000 CD6**

Engine CAT C13

**Parts List for Portable Compressors**  
**English**



# **XRVS 476 Cd** **XRVS 1000 CD6**

Engine CAT C13

Parts Index ..... 5

Warranty and Liability ..... 9

Safety Precautions for Portable Compressors ..... 11

Ordering Spare Parts..... 15

Parts Lists ..... 19





**PARTS INDEX**

**PARTS INDEX**

<b>PART</b>	<b>PAGE</b>	<b>PART</b>	<b>PAGE</b>
<b>A</b>			
ADAPTER .....	37, 42, 107, 108, 109, 144, 208, 210, 212	CLAMP RING .....	134
ADDITIONAL FUELFILTER .....	166, 167	CLAMPING .....	64, 65
AFTERCOOLER.....	202, 203, 204, 205, 206, 207, 208, 209, 210, 211, 212, 213	CLASP .....	233
AIR DUCT .....	50, 70	CLAW COUPLING .....	202
AIR DUCT AND THERMOSTATIC VALVE .....	70	CLIP .....	106, 115, 116, 117, 124, 135
AIR FILTER .....	50	COMBO SENSOR .....	176
AIR FILTER ELEMENT .....	50	COMPRESSOR SPRING .....	122, 250
AIR FILTER SAFETY CARTRIDGE .....	50	COMPRESSOR AIR OUTLET .....	82, 175, 178, 180
AIR INLET .....	50, 51	COMPRESSOR AIR OUTLET CONNECTION .....	137
AIR OUTLET .....	49	COMPRESSOR DRIVE .....	37
ANCHOR PLATE .....	64, 130, 132, 138, 140, 142, 170, 184, 186, 188	COMPRESSOR OIL .....	22, 23, 24
ANTENNA .....	152, 153	CONDUIT .....	46
ANTI-LOCK BRAKING SYSTEM .....	244, 245, 246, 247	CONNECTION .....	38, 123, 138, 140, 142, 172
ANTI-LOCK BRAKING SYSTEM ECU .....	244, 246	CONNECTION PIPE .....	179
ANTI-LOCK BRAKING SYSTEM SENSOR CABLE .....	246	CONNECTION TUBE .....	38
ANTI-LOCK BRAKING SYSTEM SENSOR MONTAGE SET .....	244	CONNECTOR .....	179
AXLE.....	156, 158, 160, 162, 164, 230, 231, 232, 233, 234	CONNECTOR USA ROAD SIGNALISATION .....	186
<b>B</b>			
BAFFLE .....	74, 78, 112, 113	CONTACT BLOCK .....	170
BALL BEARING .....	134	CONTROL BOX .....	57, 128
BATT CABLES CLAMPING .....	58	CONTROL MODULE .....	57
BATTERY .....	60, 168	CONTROLLER .....	215
BATTERY CABLE .....	58	COOLER .....	119, 130, 132, 133
BATTERY SWITCH .....	58	COOLER & FAN .....	48
BEAM .....	33, 34, 55, 116, 117, 130, 132	COOLER AND FAN DRIVE ASSEMBLY .....	78, 80, 118, 119
BEAMS AND SUPPORTS .....	55	COOLER ASSEMBLY .....	130
BEARING .....	230, 233, 234	CORE PLUG .....	123
BEARING BALL .....	138, 140, 142	CORNER .....	236
BELT GUARD .....	48	CORNER ASSEMBLY .....	56, 74, 75, 90, 101, 146, 147, 151, 202
BEND .....	73	.....	204, 206, 208, 210, 212, 216, 220, 224, 236
BODY .....	166	CORNER PANEL .....	90, 220, 224
BOW SHACKLE .....	71, 72, 73, 169, 181, 202, 204, 206, 208, 210, 212	COSMOS .....	152, 153
BOX .....	215	COSMOS MODULE .....	152, 153
BRAKE .....	158, 164, 228, 229, 240, 241	COUPLING .....	40, 239
BRAKE CABLE .....	156, 158, 160, 162, 164	COUPLING ASSEMBLY BRAKE SIGNAL .....	228, 240
BRAKE CAMSHAFT .....	230	COUPLING LINK .....	156, 160
BRAKE CHAMBER ASSEMBLY .....	228, 240	COVER .....	33, 38, 58, 60, 78, 80, 116, 117, 125, 126, 130, 128
BRAKE SHOE .....	230, 232, 233	.....	127, 129, 132, 168, 215, 217, 224, 235, 237, 238, 242
BRAKE SYSTEM .....	228, 240, 244, 245, 246, 247	COVER AIR FILTER .....	50
BUFFER .....	35, 107, 108, 109	COVER ASSEMBLY .....	116, 117
BUMPER .....	88, 184, 186, 188	COWL .....	130, 132
BUSH .....	230, 234	CROSS .....	42, 144
BUSHING .....	37, 42, 71, 72, 74, 78, 129, 138	CUBICLE .....	58
.....	140, 142, 144, 179, 208, 210, 212	CUBICLE ASSEMBLY .....	176, 215
<b>C</b>			
CABLE .....	58, 60, 128, 168, 158, 164, 172	CYLINDER .....	129
CABLE CLAMP .....	46, 64	<b>D</b>	
CABLE GUIDE .....	64	DECAL .....	62, 86, 87, 136
CABLE HANDBRAKE .....	164	DECAL ASSEMBLY .....	128, 136
CABLE MODULATOR .....	244, 246	DISC .....	239
CABLE POWER SUPPLY .....	244, 246	DISPLAY .....	128
CABLE STRIP .....	52, 130, 132	DISTANCE PIECE .....	58
CABLE SUPPLY + DIAGNOSTIC .....	244, 246	DISTANCE SLEEVE .....	107, 108, 109, 168
CABLE TIE .....	64, 138, 140, 142, 170, 176, 184, 186, 188	DOOR .....	90, 91, 92, 93, 94, 95, 96, 104, 105, 124, 236, 237, 238
CAP .....	130, 132	DOOR ASSEMBLY .....	52, 74, 78, 80, 91, 92, 93, 94, 95, 96, 104, 105
CHAIN .....	71, 72, 73, 156, 160, 181, 202, 204	.....	106, 115, 124, 202, 204, 206, 208, 210, 212
.....	206, 208, 210, 212, 217, 224, 237, 238	DOOR HOOK .....	91, 92, 93, 94, 95, 96, 97, 98, 99, 100, 101, 104, 105
CIRCLIP .....	120, 129, 134	.....	116, 117, 124, 216, 217, 224, 225, 236, 237, 238
CIRCUIT BREAKER .....	58, 170, 215	DRAIN PIPE .....	38
CLAMP .....	35, 46, 50, 60, 64, 74, 75, 80, 158, 164, 173	DRAINS .....	46, 47
		DRIVE SHAFT .....	37
		DRIVER CARD .....	215
		DRUM .....	233

**PARTS INDEX**

**PARTS INDEX**

<b>PART</b>	<b>PAGE</b>	<b>PART</b>	<b>PAGE</b>
<b>E</b>			
EARTHING STRAP.....	49, 58	HOSE.....	41, 46, 50, 58, 71, 73, 130, 132, 138, 140, 142, 158, 164, 172
ELBOW.....	71, 138, 140, 142, 204, 206, 208, 210, 212	HOSE ASSEMBLY.....	42, 46, 49, 76, 77, 78, 138, 140, 144
ELBOW PIPE COUPLING.....	42, 144, 202, 204, 206, 208, 210, 212	.....	176, 179, 202, 208, 210, 212, 242
ELECTRICAL SYSTEM.....	58, 59	HOSE CLAMP.....	35, 41, 50, 130, 132, 138, 140
ELEMENT AND MOUNTS.....	36	.....	142, 172, 173, 217, 224, 237, 238
ELEMENT MOUNTING.....	28, 32	HOSE CLIP.....	71, 73
EMERGENCY STOP.....	90, 236	HOUSE MARK.....	62
ENGINE.....	34	HOUSING.....	38, 44, 120, 128, 134
ENGINE & ACCESSORIES.....	34	HUMP HOSE.....	50
ENGINE AIR INLET PIPE.....	67	<b>I</b>	
ENGINE COOLANT.....	25	INFORMATION LABEL.....	62, 78, 156, 158, 160, 162, 164, 196, 197
ENGINE COOLING.....	41	INLET SHUT DOWN VALVE.....	172
ENGINE OIL.....	20, 21	INNER CANOPY.....	54
EXHAUST.....	35	INNER ROOF ASSEMBLY.....	135
EXHAUST COVER.....	35	INSTRUCTION LABEL.....	62, 158, 164
EXHAUST PIPE.....	35, 66, 68, 171, 173	INSULATING HOSE.....	42, 49, 144
EXTENSION CABLE.....	184, 188	INSULATION.....	35, 196, 197
<b>F</b>			
FAN.....	134	ISOLATOR.....	58
FAN DRIVE ASSEMBLY.....	118, 119, 134	<b>K</b>	
FAN SHAFT.....	134	KEY.....	52, 128
FAN SHAFT ASSEMBLY.....	134	KEY HOLDER.....	217
FILTER.....	138, 140, 142	KIT PISTON.....	129
FILTER ELEMENT.....	138, 140, 142, 222, 223	<b>L</b>	
FLANGE.....	44, 218, 219, 239, 248, 249	LABEL.....	62, 202, 204, 206, 208, 210, 212
FLASH LIGHT.....	90, 236	LABEL NOISE.....	72
FOOT.....	158	LATCH.....	90, 91, 92, 93, 94, 104, 105, 236
FRAME.....	129, 156, 158, 160, 162, 164, 194, 198, 200, 242	LEVEL DEVICE.....	158, 182
FRAME AND MOUNTS.....	33	LEVEL GAUGE.....	107, 108, 109
FRAME AND SUPPORT.....	198, 199, 200, 201	LEVEL SENSOR.....	138, 140, 142
FRAME/LARGE FUEL TANK.....	190	LEVEL SWITCH.....	130, 132
FRAME/LARGE FUEL TANK ASSEMBLY.....	190, 192, 242, 243	LEVER.....	129, 202
FRONT ROOF ASSEMBLY.....	78, 117	LID OF POWER SUPPLY BOX.....	89
FUEL COOLER.....	138, 140, 142	LIFTING EYE.....	71, 72, 73, 181, 202, 204, 206, 208, 210, 212
FUEL GAUGE.....	128	LIGHT.....	184, 186, 188
FUEL HOSE.....	130, 132, 138, 140, 142, 166	LOCK.....	90, 91, 92, 93, 94, 104, 105, 128, 220, 236, 237, 238
FUEL SYSTEM.....	138, 139, 140, 141, 142, 143	<b>M</b>	
FUEL FILTER.....	138, 140, 142, 166	MANIFOLD.....	82, 138, 140, 142, 175, 178, 202, 204, 206, 208, 210, 212
FUEL FILTER ELEMENT.....	166	MARKINGS.....	62, 63, 86, 87
FUEL TANK.....	218, 219, 248, 249	MINIMUM PRESSURE VALVE.....	71, 72, 73
FUEL TANK ASSEMBLY.....	138, 140, 218, 219, 242, 248, 249	MODULATOR ASSEMBLY.....	228, 240
<b>G</b>			
GEAR.....	69	MUDGUARD.....	156, 158, 160, 162, 164
GEAR CASING.....	29, 37	<b>N</b>	
GEARSET.....	69	NIPPLE ASSEMBLY.....	138, 140, 142
GRATING.....	48	NON-RETURN VALVE.....	42, 144
GROMMET.....	74, 78, 90, 130, 132, 158, 164, 184, 186, 188, 236	NOZZLE.....	38
GUARD.....	48, 130, 132	NYLON BAND.....	202, 204, 206, 208, 210, 212
GUIDE.....	64, 158, 162, 184, 188	<b>O</b>	
<b>H</b>			
HAND BRAKE.....	158	OIL NOZZLE.....	38
HAND BRAKE LEVER.....	164	OIL SEPARATOR.....	30
HANDLE.....	95, 96	OIL SEPARATOR ASSEMBLY AND REGULATING VALVE.....	83, 84, 85
HEXAGON PLUG.....	37, 38, 44, 46, 61, 82, 80, 83, 84, 85, 120, 125, 126	.....	196, 197
.....	130, 127, 132, 144, 175, 178, 180, 204, 206, 208, 210, 212	OIL STOP VALVE.....	31
HINGE.....	90, 91, 92, 93, 94, 95, 96, 97, 98, 99, 100, 101, 104	OIL SYSTEM.....	44, 45, 176, 177
.....	105, 128, 216, 217, 220, 224, 225, 236, 237, 238	OIL COOLER.....	130, 132
HOLDER.....	48, 90, 224, 236, 237, 238	OIL FILTER.....	71, 72, 73
HORN.....	90, 236	OIL SEPARATOR ASSEMBLY.....	83, 84, 85, 107, 108, 109, 196, 197

**PARTS INDEX**

**PARTS INDEX**

<b>PART</b>	<b>PAGE</b>	<b>PART</b>	<b>PAGE</b>
<b>O</b>			
OUTER CANOPY .....	52, 53, 146, 147	RELAY EMERGENCY VALVE .....	240
<b>P</b>			
PAD.....	130, 132	RELAY EMERGENCY VALVE ASSEMBLY .....	228
PANEL.....	52, 54, 74, 75, 97, 98, 99, 100, 101, 102, 110, 112, 113, 111	RESISTOR.....	170
.....	114, 121, 135, 216, 217, 221, 225, 226, 227, 237, 238	RESTRICTOR.....	202, 204, 206, 208, 210, 212
PANEL AND ROOFS.....	78, 79, 80, 81	RETAINER.....	38, 107, 108, 109, 138, 140, 242
PANEL ASSEMBLY.....	49, 52, 74, 75, 78, 97, 98, 99, 102, 103, 111	RING.....	38, 122, 250
.....	114, 146, 147, 148, 149, 202, 204, 206, 208	ROADSIGNALISATION.....	184, 185, 186, 187, 188, 189
.....	210, 212, 217, 221, 225, 226, 227, 237, 238	ROOF.....	106, 115, 116, 117
PARALLEL KEY.....	34, 37, 40	ROOF ASSEMBLY.....	78, 80, 106, 115, 116, 117, 129, 135
PARALLEL PIN.....	37	RUBBER BUFFER.....	34
PARCOOL EG.....	25	RUBBER PLUG.....	74, 75, 82, 83, 84, 85
PAROIL.....	20, 21, 22, 23, 24	RUBBER TUBE.....	130, 132
PRINTED CIRCUIT BOARD.....	128	<b>S</b>	
PD FILTER.....	204, 206, 210, 212, 222	SAFETY RING.....	230
PIPE.....	35, 41, 44, 46, 49, 50, 66, 67, 68, 130, 132, 171, 172	SAFETY VALVE.....	37, 72, 73, 179
.....	173, 175, 178, 179, 180, 202, 204, 206, 208, 210, 212	SAFETY VALVE ASME APPROV.....	71
PIPE CLAMP.....	46, 64, 71, 73, 158, 164, 166, 170, 176, 208, 210, 212	SCREEN.....	128
PIPE COUPLING.....	49, 144, 175, 178, 180, 202, 204, 206, 208, 210, 212	SELECTOR SWITCH.....	128
PIPE JOINT.....	179	SENSOR.....	230
PISTON.....	120	SERVICE KIT.....	26, 27, 28, 29, 30, 31, 32
PIVOT.....	129	SERVICE PAK.....	19
PLASTIC TUBE.....	42, 144, 170, 204, 206, 208, 210, 212	SERVICE STAGE.....	36
PLATE.....	35, 36, 49, 55, 58, 130, 128, 132, 150	SHACKLE.....	233
.....	162, 164, 184, 186, 188, 198, 202, 221	SHAFT.....	74, 78
PLATE ASSEMBLY.....	55, 150	SHIELD.....	78, 158, 173
PLUG.....	33, 55, 58, 61, 67, 82, 78, 88, 90, 91, 92, 93, 94, 95	SHRINKING HOSE.....	46
.....	96, 97, 98, 99, 100, 101, 104, 105, 115, 120, 123, 175	SILENCER.....	78, 80, 204, 206, 208, 210, 212, 196, 197
.....	184, 188, 216, 217, 218, 224, 225, 219, 236, 242, 248, 249	SKID.....	192, 193, 194, 195
POINTER.....	134	SOLENOID VALVE.....	42, 144, 196, 197
POWER SUPPLY BOX.....	89	SPACER.....	74, 78, 91, 93, 97, 98, 128, 134
POWER SUPPLY BOX ASSEMBLY.....	58, 89	SPARK ARRESTOR.....	173, 174
PREHEATER.....	170	SPLIT PIN.....	169
PREHEATER KIT.....	170, 235	SPRING.....	38
PRESSURE GAUGE.....	128, 179	SPRING GUIDE.....	120, 122, 250
PRESSURE REDUCER.....	179	SPRING PIN.....	134, 154, 155
PRESSURE REGULATOR.....	179	SPRING SEAT.....	122, 250
PRESSURE SENSOR.....	58, 178, 180, 202, 204, 206, 208, 210, 212	STAY.....	173
PRESSURE VESSEL ASSEMBLY.....	107, 108, 109, 125, 126, 127	STEPPER MOTOR.....	239
PROTECTING PLUG.....	37, 38, 58	STRAIGHT PIPE COUPLING.....	42, 49, 144, 202, 204, 206, 208, 210, 212
PROTECTION.....	138, 140, 156, 158, 160, 162	STRAINER.....	49, 202, 204, 206, 208, 210, 212
.....	164, 190, 192, 194, 198, 200, 242	STRIP.....	58, 164
PROTECTION CAP.....	58, 170	SUB FRAME.....	158, 164
PROTECTION PLUG.....	55, 61, 83, 84, 85, 204, 206, 208, 210, 212	SUPPORT.....	33, 34, 35, 36, 44, 49, 50, 55, 58, 64, 78, 80, 91, 92, 93
PROTECTIVE COLLAR.....	90, 236	.....	94, 112, 113, 130, 134, 132, 138, 140, 142, 168, 158, 164, 170
PROXIMITY SWITCH.....	239	.....	176, 179, 183, 191, 198, 200, 202, 204, 206, 208, 210, 212, 242
PULLEY.....	34	<b>T</b>	
<b>Q</b>			
QD FILTER.....	206, 212, 223	TAIL PIPE SPARK ARRESTOR.....	174
<b>R</b>			
RADIATOR.....	130, 132	TEE.....	42, 144, 179
REAR ROOF ASSEMBLY.....	78, 80, 106, 115	TEMPERATURE SENSOR.....	58, 106, 115, 178, 180
REDUCER.....	120	.....	202, 204, 206, 208, 210, 212
REDUCER FOR SCAVENGE PIPE.....	42, 144	TENSION PULLEY.....	134
REFLECTOR.....	186, 188	TENSION PULLEY ASSEMBLY.....	134
REGULATING SYSTEM.....	42, 43, 144, 145	TENSIONER.....	134
REGULATING VALVE.....	83, 84, 85, 122, 196, 197, 250	THERMOSTATIC VALVE.....	70
REHEATER.....	208, 210, 212	THREADED ROD.....	202, 204, 206, 208, 210, 212
RELAY.....	58, 172	TIE DOWN LOOPS.....	169
		TIME RELAY.....	235
		TORSION BAR.....	230, 232, 233
		TOWBAR.....	156, 158, 160, 162, 164
		TOWING EYE.....	154, 155
		TUBE.....	107, 108, 109, 204, 206, 210, 212

---

**PARTS INDEX**

---

**PARTS INDEX**

<b>PART</b>	<b>PAGE</b>	<b>PART</b>	<b>PAGE</b>
<b>T</b>			
TYRE .....	156, 158, 160, 162, 164		
TYRE ASSEMBLY .....	156, 158, 160, 162, 164		
<b>U</b>			
UNDERCARRIAGE .....	156, 157, 158, 159, 160, 161, 162, 163, 164, 165		
UNLOADER ASSEMBLY .....	38, 123		
UNLOADER HOUSING .....	123		
UNLOADING VALVE .....	26		
<b>V</b>			
VALVE .....	38, 123, 172, 202, 204, 206, 208, 210, 212, 239, 240		
VALVE ASSEMBLY .....	176, 239		
VALVE OILSTOP .....	120		
VALVE SEAT .....	38		
VALVES ON ELEMENT .....	38, 39		
VALVES ON VESSEL .....	71, 72, 73		
V-BELT .....	34		
VENTIL .....	156, 158, 160, 162, 164		
VESSEL .....	125, 126, 127		
VESSEL ASSEMBLY .....	228, 240		
VIBRATING DAMPER .....	36		
<b>W</b>			
WARNING MARK .....	89		
WARNING SWITCH .....	50		
WATERSEPARATOR .....	202, 204, 206, 208, 210, 212		
WHEEL .....	156, 158, 160, 162, 164		
WHEEL CHOCKS .....	214		
WIRE .....	58, 138		
WIRE HARNESS .....	58, 128, 178, 180, 184, 186, 188, 202		
.....	204, 206, 208, 210, 212, 196, 197		
WIRE MESH HOSE .....	71, 72, 73, 181		
WIRING .....	130, 132, 152, 153, 169, 176		
<b>Y</b>			
YOKE .....	244, 246		

## Warranty and Liability Limitation

Use only authorized parts.  
Any damage or malfunction caused by the use of unauthorized parts is not covered by Warranty or Product Liability.  
The manufacturer does not accept any liability for any damage arising from modifications, additions or conversions made without the manufacturer's approval in writing.

Copyright 2004, Atlas Copco Airpower n.v., Antwerp, Belgium.  
Any unauthorized use or copying of the contents or any part thereof is prohibited.  
This applies in particular to trademarks, model denominations, part numbers and drawings.

## Garantie- en aansprakelijkheidsbepalingen

Gebruik alleen originele onderdelen.  
Beschadiging of defecten die het gevolg zijn van het gebruik van niet originele onderdelen vallen niet onder garantie of productaansprakelijkheid.  
De producent is niet aansprakelijk voor enige schade veroorzaakt door modificatie, toevoeging of ombouw, gemaakt zonder de schriftelijke toestemming van de fabrikant.

Copyright 2004, Atlas Copco Airpower n.v., Antwerpen, België.  
Het is niet toegestaan om zonder toestemming de inhoud geheel of gedeeltelijk te kopiëren of anderszins te gebruiken.  
Dit betreft vooral trademarks, modelbenamingen, onderdeelnummers en tekeningen.

## Limitation de garantie et de responsabilité

Utiliser uniquement les pièces homologuées.  
Tout dommage ou mauvais fonctionnement dû à l'utilisation de pièces non homologuées n'est pas couvert par la garantie ou la responsabilité des produits défectueux.  
Le fabricant décline toute responsabilité en cas de dommage faisant suite à des modifications, des ajouts ou des conversions effectués sans l'accord écrit du fabricant.

Copyright 2004, Atlas Copco Airpower n.v., Antwerp, Belgique.  
Toute utilisation ou copie du contenu, ou d'une partie de celui-ci, non autorisée est interdite.  
Cette interdiction s'applique en particulier aux marques de commerce, aux dénominations des modèles, aux numéros des pièces et aux schémas.

## Garantie- und Haftungseinschränkungen

Nur zugelassene Teile verwenden.  
Jede Beschädigung oder Fehlfunktion, die durch die Verwendung von nicht zugelassenen Teilen verursacht wurde, ist nicht durch die Garantie oder Produkthaftung abgedeckt.  
Der Hersteller übernimmt keine Haftung für Schäden, die durch Modifizierungen, Ergänzungen oder Funktionsänderungen entstehen, die ohne schriftliche Zustimmung des Herstellers erfolgt sind.

Urheberrecht 2004, Atlas Copco Airpower n.v., Antwerpen, Belgien.  
Jede nicht genehmigte Verwendung oder Kopie des Inhaltes oder von Teilen ist untersagt.  
Das bezieht sich im Einzelnen auf Warenzeichen, Modellbezeichnungen, Teilenummern und Zeichnungen.

## Limitación de garantía y responsabilidad

Use sólo piezas autorizadas.  
La garantía o responsabilidad del producto no cubre ningún daño o funcionamiento defectuoso provocado por el uso de piezas no autorizadas.  
El fabricante no acepta ninguna responsabilidad por los daños provocados por modificaciones, adiciones o conversiones realizadas sin la aprobación por escrito del fabricante.

Derechos de reproducción 2004, Atlas Copco Airpower n.v., Amberes, Bélgica.  
Está prohibida toda utilización o reproducción total o parcial no autorizada de estos contenidos, en especial de las marcas registradas, denominaciones de modelos, números de piezas y planos.

## Begränsningar av garanti och ansvarsskyldighet

Använd endast godkända delar.  
Den skada eller funktionsoduglighet som förorsakats av att ej godkända delar har använts, täcks inte av garantin eller produktansvaret.  
Tillverkaren accepterar ingen ansvarsskyldighet för skador som uppstår efter att ändringar, tillägg eller ombyggnader gjorts utan skriftligt tillstånd från tillverkaren.

Copyright 2004, Atlas Copco Airpower n.v., Antwerpen, Belgien.  
Ej auktoriserad användning eller kopiering av innehållet, eller delar av det, är förbjuden.  
Detta gäller speciellt varumärken, modellbeteckningar, reservdelsnummer och ritningar.

## Limitazione di Garanzia e di Responsabilità

Usare solo componenti autorizzati.  
Qualsiasi danno o malfunzione causati dall'uso di componenti non autorizzati non è coperto dalla Garanzia o dalla Responsabilità sul Prodotto.  
Il fabbricante non accetta alcuna responsabilità per danni derivanti da modifiche, aggiunte o trasformazioni effettuate senza l'approvazione scritta del fabbricante.

Copyright 2004, Atlas Copco Airpower n.v., Anversa, Belgio.  
Sono vietati ogni uso o copia non autorizzati del contenuto o di qualsiasi parte dello stesso.  
Ciò si applica in particolare ai marchi, alle denominazioni dei modelli, ai numeri dei componenti ed ai disegni.

## Garanti- og ansvarsbegrænsning

Brug kun tilladte reservedele.  
Enhver skade eller fejlfunktion, forårsaget af brug af ikke tilladte reservedele, omfattes ikke af garantien eller produktansvaret.  
Fabrikanten kan ikke drages til ansvar for nogen skade som følge af ændringer, udvidelser eller ombygninger, der er blevet udført uden fabrikantens skriftlige samtykke.

Copyright 2004, Atlas Copco Airpower n.v., Antwerpen, Belgien.  
Enhver uautoriseret brug eller kopiering af indholdet eller dele deraf er forbudt.  
Dette gælder især varemærker, modelbenævnelser, delnumre og tegninger.

## Εγγύηση και Περιορισμός Ευθύνης

Χρησιμοποιήστε μόνο εγκεκριμένα εξαρτήματα.  
Οποιαδήποτε ζημιά ή δυσλειτουργία προκληθεί από τη χρήση μη εγκεκριμένων εξαρτημάτων δεν καλύπτεται από την εγγύηση και την ευθύνη για το προϊόν.  
Ο κατασκευαστής δεν αποδέχεται καμία ευθύνη για ζημιές που προκύπτουν από τροποποιήσεις, προσθήκες ή μετατροπές που έγιναν χωρίς τη γραπτή έγκριση του κατασκευαστή.

Copyright 2004, Atlas Copco Airpower n.v., Αμβέρσα, Βέλγιο.  
Απαγορεύεται οποιαδήποτε χρήση ή αντιγραφή του περιεχόμενου ή οποιουδήποτε τμήματος του παρόντος χωρίς εξουσιοδότηση.  
Αυτό ισχύει συγκεκριμένα για εμπορικά σήματα, ονομασίες μοντέλων, κωδικούς εξαρτημάτων και σχέδια.

## Garanti og ansvarsbegrensning

Bruk kun autoriserte deler.  
Enhver skade eller funksjonsfeil som skyldes bruk av uautoriserte deler dekkes ikke av garanti eller produktansvar.  
Fabrikanten aksepterer intet ansvar for noen skade som oppstår på grunn av modifikasjoner, tilføyelser eller forandringer som er gjort uten fabrikantens skriftlige tillatelse.

Copyright 2004, Atlas Copco Airpower n.v., Antwerpen, Belgia.  
All uautorisert bruk eller kopiering av innholdet eller en del av det er forbudt.  
Dette gjelder særlig varemerker, modellbenevnelser, delenumre og tegninger.

## Takuun ja vastuuvollisuuden rajoitus

Käytä vain valmistajan hyväksymiä varaosia.  
Takuu ja tuotevastuu eivät kata vahinkoja tai toimintahäiriöitä, joiden syynä on muiden kuin hyväksytyjen varaosien käyttö.  
Valmistaja ei vastaa vahingoista, jotka aiheutuvat ilman valmistajan kirjallista lupaa tehdystä muutoksista tai lisäyksistä.

Copyright 2004, Atlas Copco Airpower n.v., Antwerpen, Belgia.  
Sisällön osittainenkin käyttö tai kopiointi ilman lupaa on kielletty.  
Tämä koskee erityisesti tavaramerkkejä, mallien nimiä, osanumeroita ja piirustuksia.

## Garantijas un atbildības ierobežojumi

Izmantot tikai ieteiktās rezerves daļas.  
Ī garantija nesedz bojājumus vai disfunkciju, kuri ir radušies neatļautu rezerves daļu izmantošanas rezultātā.  
Ražotājs nepieņem pretenzijas par bojājumiem, kas izriet no modifikācijām, papildinājumiem vai pārveidojumiem bez ražotāja rakstiskas piekrišanas.

Autortiesības 2004, Atlas Copco Airpower n.v., Antverpene, Beļģija.  
Jebkura neatļautā īsā izmantošana vai kopēšana ir aizliegta. Tas konkrēti attiecas uz tirdzniecības zīmēm, modeļu denominācijām, daļu numuriem un rācējumiem.

## Limites de Garantia e Responsabilidade

Utilize apenas peças autorizadas.

Avárias ou defeitos de funcionamento que sejam causados pelo uso de sobresselentes ou componentes não autorizados não serão cobertos pela Garantia ou pela Responsabilidade de Produto.

O fabricante não aceita qualquer responsabilidade por quaisquer danos resultantes de modificações, adições ou conversões efectuadas sem a aprovação escrita do fabricante.

Copyright 2004, Atlas Copco Airpower n.v., Antuérpia, Bélgica.

Qualquer uso não autorizado ou cópia do conteúdo ou de qualquer parte dele é proibida.

Isto aplica-se em particular a marcas registadas, denominações de modelos, números de peças e desenhos.

## 有限担保和责任

只允许使用经认可的零件。

因使用未经认可的零件而导致的任何损坏或故障不在本担保或产品责任所保障的范围之内。

未经制造商书面许可，制造商概不负责因擅自对设备进行改动、添加附件或改型而导致的设备损坏。

版权 2004，比利时安特卫普 Atlas Copco Airpower n.v.。

未经许可，禁止使用或复制本手册中所含的全部或任何一部分内容。

本公告特别适用于本手册所含的商标、型号名称、零件代号和图纸。

## A garancia és felelősség korlátozása

Csak jóváhagyott alkatrészeket használjon!

A nem jóváhagyott alkatrészek használatából adódó sérülésekre és üzemzavarra nem terjed ki a garancia és a termékfelelősség. A gyártó semminemű felelősséget nem vállal a gyártó írásos jóváhagyása nélkül végzett bármilyen módosításokból, kiegészítésekéből vagy átalakításokból adódó sérülésektől.

Copyright 2004, Atlas Copco Airpower n.v., Antwerp, Belgium.

A kézikönyv tartalma vagy annak egy részének engedély nélküli felhasználása vagy másolása tilos.

Ez vonatkozik különösen a védjegyekre, a típusjelölésekre, cikkszámokra és rajzokra.

## Zárka a obmedzenia zodpovednosti výrobcu

Používajte len schválené súčiastky.

Akákolvek škoda alebo porucha spôsobená použitím neschválených súčiastok nie je zahrnutá v záruke ani zodpovednosti výrobcu za škodu. Výrobca nepripúšťa žiadnu zodpovednosť za akékoľvek škody vznikajúce úpravou, pridaním alebo prerobením, ktoré boli vykonané bez predchádzajúceho písomného súhlasu výrobcu.

Autorské práva 2004, Atlas Copco Airpower n.v., Antverpy, Belgicko.

Akékoľvek neoprávnené použitie alebo kopírovanie obsahu, alebo jeho časti je zakázané.

Toto sa vzťahuje najmä na obchodné značky, modelové označenia, čísla súčiastok a nákresy.

## Garantii ja piiratud vastutus

Kasutage ainult valmistaja poolt aktsepteeritud varuosi.

Mis tahes vigastus või rike, mille on põhjustanud valmistaja poolt aktsepteerimata varuosa kasutamise, ei kuulu toote garantii või tootja vastutuse alla. Valmistaja ei aktsepteeri ühtegi riket, mis on tekkinud toote modifitseerimisest, lisandustest või ümberehitamisest, mida valmistaja ei ole kirjaliselt heaks kiitnud.

Copyright 2004, Atlas Copco Airpower n.v., Antwerp, Belgium.

Käesoleva juhendi mistahes loata kasutamise või kopeerimise on keelatud.

See kehtib nii kaubamärkide, mudeli nimetuste, varuosade numbritel kui ka joonistel koht.

## Ограничение гарантии и ответственности

Используйте компоненты только авторизованных поставщиков.

Не распространяется гарантия и ответственность за продукцию при любых повреждениях или неисправностях в результате использования неавторизованных компонентов.

Производитель не несет никакой ответственности за любые повреждения, возникшие в результате модификации, дополнения или изменения, выполненные без письменного утверждения производителя.

Copyright 2004, Atlas Copco Airpower n.v., Антверпен, Бельгия.

Запрещается любое несанкционированное использование или копирование содержания этих материалов или их части.

В особенности это относится к торговым маркам, обозначениям моделей, номерам деталей и чертежам.

## Gwarancja i ograniczenie odpowiedzialności

Stosować jedynie oryginalne części zamienne.

Jakiegokolwiek uszkodzenia lub niesprawności spowodowane stosowaniem niezaaprobowanych części zamiennych nie są objęte gwarancją lub odpowiedzialnością za produkt.

Producent nie będzie ponosił żadnej odpowiedzialności za jakiegokolwiek szkody spowodowane modyfikacjami, dodatkami lub zmianami wykonanymi bez pisemnej zgody producenta.

Copyright 2004, Atlas Copco Airpower n.v., Antwerpia, Belgia.

Wszelkie stosowanie lub kopiowanie zawartości lub jakiegokolwiek części publikacji bez zezwolenia jest zabronione.

Dotyczy to szczególnie znaków handlowych, oznaczeń modeli, numerów części oraz rysunków.

## Omezení záruky a odpovědnosti

Používejte pouze takové součásti, které jsou schválené výrobcem zařízení. Jakékoliv poškození nebo závady způsobené použitím součástí, které nebyly schválené výrobcem zařízení, nejsou kryty zárukou, nebo odpovědností za výrobek.

Výrobce nepřijímá žádnou odpovědnost za jakékoliv škody, způsobené modifikacemi, doplňky nebo přestavbami zařízení provedenými bez předchozího písemného svolení.

Copyright 2004, Atlas Copco Airpower n.v., Antverpy, Belgie.

Jakékoliv neoprávněné použití nebo kopírování obsahu tohoto dokumentu nebo kterékoliv jeho částí je zakázáno.

Toto platí obzvláště pro obchodní známky, označení modelů, čísla součástí a výkresovou dokumentaci.

## Garancijski pogoji in omejitve

Uporabljajte samo odobrene dele.

Garancija proizvajalca ni veljavna pri poškodbah ali motnjah v delovanju, ki so posledica uporabe neodobrenih delov.

Proizvajalec ne prevzema nikakršne odgovornosti za poškodbe, ki so nastale zaradi sprememb, dodatkov ali prilagoditev na izdelku, ki so bile izvedene brez pisne odobritve proizvajalca.

Copyright 2004, Atlas Copco Airpower n.v., Antwerp, Belgium.

Brez pisnega dovoljenja ni dovoljeno uporabljati ali razmnoževati nobenega dela dokumenta.

To velja še posebej za blagovne znamke, označbe modelov, številke izdelkov in risbe.

## Garantijos ir atsakomybės galiojimas

Naudokite tik originalias dalis.

Garantija nebus taikoma tuo atveju, jeigu žala ar sutrikimas atsiranda naudojant neoriginalias dalis.

Gamintojas neprisiima jokios atsakomybės dėl žalos, susijusios su modifikacija, papildymu ar perdirbimu, atliktu be raštiško gamintojo sutikimo.

Autorstės teisė 2004, "Atlas Copco Airpower n.v.", Antverpenas, Belgija.

Neteisėtus viso teksto ar kurios nors jo dalies panaudojimas ar kopijavimas yra draudžiamas.

Viso pirma ši sąlyga taikoma prekiniams ženklams, modelių pavadinimams, dalių numeriams ir brėžiniams.

---

# 1. SAFETY PRECAUTIONS FOR PORTABLE COMPRESSORS

To be read attentively and acted accordingly before towing, lifting, operating, performing maintenance or repairing the compressor

## 1.1 INTRODUCTION

The policy of Atlas Copco is to provide the users of their equipment with safe, reliable and efficient products. Factors taken into account are among others:

- the intended and predictable future use of the products, and the environments in which they are expected to operate,
- applicable rules, codes and regulations,
- the expected useful product life, assuming proper service and maintenance,
- providing the manual with up-to-date information.

Before handling any product, take time to read the relevant instruction manual. Besides giving detailed operating instructions, it also gives specific information about safety, preventive maintenance, etc.

Keep the manual always at the unit location, easy accessible to the operating personnel.

See also the safety precautions of the engine and possible other equipment, which are separately sent along or are mentioned on the equipment or parts of the unit.

These safety precautions are general and some statements will therefore not always apply to a particular unit.

Only people that have the right skills should be allowed to operate, adjust, perform maintenance or repair on Atlas Copco equipment. It is the responsibility of management to appoint operators with the appropriate training and skill for each category of job.

### **Skill level 1: Operator**

An operator is trained in all aspects of operating the unit with the push-buttons, and is trained to know the safety aspects.

### **Skill level 2: Mechanical technician**

A mechanical technician is trained to operate the unit the same as the operator. In addition, the mechanical technician is also trained to perform maintenance and repair, as described in the instruction manual, and is allowed to change settings of the control and safety system. A mechanical technician does not work on live electrical components.

### **Skill level 3: Electrical technician**

An electrical technician is trained and has the same qualifications as both the operator and the mechanical technician. In addition, the electrical technician may carry out electrical repairs within the various enclosures of the unit. This includes work on live electrical components.

### **Skill level 4: Specialist from the manufacturer**

This is a skilled specialist sent by the manufacturer or its agent to perform complex repairs or modifications to the equipment.

In general it is recommended that not more than two people operate the unit, more operators could lead to unsafe operating conditions. Take necessary steps to keep unauthorized persons away from the unit and eliminate all possible sources of danger at the unit.

When handling, operating, overhauling and/or performing maintenance or repair on Atlas Copco equipment, the mechanics are expected to use safe engineering practices and to observe all relevant local safety requirements and ordinances. The following list is a reminder of special safety directives and precautions mainly applicable to Atlas Copco equipment.

These safety precautions apply to machinery processing or consuming air. Processing of any other gas requires additional safety precautions typical to the application and are not included herein.

Neglecting the safety precautions may endanger people as well as environment and machinery:

- endanger people due to electrical, mechanical or chemical influences,
- endanger the environment due to leakage of oil, solvents or other substances,
- endanger the machinery due to function failures.

All responsibility for any damage or injury resulting from neglecting these precautions or by non-observance of ordinary caution and due care required in handling, operating, maintenance or repair, also if not expressly mentioned in this instruction manual, is disclaimed by Atlas Copco.

The manufacturer does not accept any liability for any damage arising from the use of non-original parts and for modifications, additions or conversions made without the manufacturer's approval in writing.

If any statement in this manual does not comply with local legislation, the stricter of the two shall be applied.

Statements in these safety precautions should not be interpreted as suggestions, recommendations or inducements that it should be used in violation of any applicable laws or regulations.

## 1.2 GENERAL SAFETY PRECAUTIONS

- 1 The owner is responsible for maintaining the unit in a safe operating condition. Unit parts and accessories must be replaced if missing or unsuitable for safe operation.
- 2 The supervisor, or the responsible person, shall at all times make sure that all instructions regarding machinery and equipment operation and maintenance are strictly followed and that the machines with all accessories and safety devices, as well as the consuming devices, are in good repair, free of abnormal wear or abuse, and are not tampered with.
- 3 Whenever there is an indication or any suspicion that an internal part of a machine is overheated, the machine shall be stopped but no inspection covers shall be opened before sufficient cooling time has elapsed; this to avoid the risk of spontaneous ignition of oil vapour when air is admitted.
- 4 Normal ratings (pressures, temperatures, speeds, etc.) shall be durably marked.
- 5 Operate the unit only for the intended purpose and within its rated limits (pressure, temperature, speeds, etc.).
- 6 The machinery and equipment shall be kept clean, i.e. as free as possible from oil, dust or other deposits.
- 7 To prevent an increase in working temperature, inspect and clean heat transfer surfaces (cooler fins, intercoolers, water jackets, etc.) regularly. See the maintenance schedule.
- 8 All regulating and safety devices shall be maintained with due care to ensure that they function properly. They may not be put out of action.
- 9 Care shall be taken to avoid damage to safety valves and other pressure-relief devices, especially to avoid plugging by paint, oil coke or dirt accumulation, which could interfere with the functioning of the device.
- 10 Pressure and temperature gauges shall be checked regularly with regard to their accuracy. They shall be replaced whenever outside acceptable tolerances.
- 11 Safety devices shall be tested as described in the maintenance schedule of the instruction manual to determine that they are in good operating condition.
- 12 Mind the markings and information labels on the unit.
- 13 In the event the safety labels are damaged or destroyed, they must be replaced to ensure operator safety.
- 14 Keep the work area neat. Lack of order will increase the risk of accidents.
- 15 When working on the unit, wear safety clothing. Depending on the kind of activities these are: safety glasses, ear protection, safety helmet (including visor), safety gloves, protective clothing, safety shoes. Do not wear the hair long and loose (protect long hair with a hairnet), or wear loose clothing or jewelry.
- 16 Take precautions against fire. Handle fuel, oil and anti-freeze with care because they are inflammable substances. Do not smoke or approach with naked flame when handling such substances. Keep a fire-extinguisher in the vicinity.

---

### 1.3 SAFETY DURING TRANSPORT AND INSTALLATION

To lift a unit, all loose or pivoting parts, e.g. doors and towbar, shall first be securely fastened.

Do not attach cables, chains or ropes directly to the lifting eye; apply a crane hook or lifting shackle meeting local safety regulations. Never allow sharp bends in lifting cables, chains or ropes.

Helicopter lifting is not allowed.

It is strictly forbidden to dwell or stay in the risk zone under a lifted load. Never lift the unit over people or residential areas. Lifting acceleration and retardation shall be kept within safe limits.

- 1 Before towing the unit:
  - ascertain that the pressure vessel(s) is (are) depressurized,
  - check the towbar, the brake system and the towing eye. Also check the coupling of the towing vehicle,
  - check the towing and brake capability of the towing vehicle,
  - check that the towbar, jockey wheel or stand leg is safely locked in the raised position,
  - ascertain that the towing eye can swivel freely on the hook,
  - check that the wheels are secure and that the tyres are in good condition and inflated correctly,
  - connect the signalisation cable, check all lights and connect the pneumatic brake couplers,
  - attach the safety break-away cable or safety chain to the towing vehicle,
  - remove wheel chocks, if applied, and disengage the parking brake.
- 2 To tow a unit use a towing vehicle of ample capacity. Refer to the documentation of the towing vehicle.
- 3 If the unit is to be backed up by the towing vehicle, disengage the overrun brake mechanism (if it is not an automatic mechanism).
- 4 Never exceed the maximum towing speed of the unit (mind the local regulations).
- 5 Place the unit on level ground and apply the parking brake before disconnecting the unit from the towing vehicle. Unclip the safety break-away cable or safety chain. If the unit has no parking brake or jockey wheel, immobilize the unit by placing chocks in front of and/or behind the wheels. When the towbar can be positioned vertically, the locking device must be applied and kept in good order.
- 6 To lift heavy parts, a hoist of ample capacity, tested and approved according to local safety regulations, shall be used.
- 7 Lifting hooks, eyes, shackles, etc., shall never be bent and shall only have stress in line with their design load axis. The capacity of a lifting device diminishes when the lifting force is applied at an angle to its load axis.
- 8 For maximum safety and efficiency of the lifting apparatus all lifting members shall be applied as near to perpendicular as possible. If required, a lifting beam shall be applied between hoist and load.
- 9 Never leave a load hanging on a hoist.
- 10 A hoist has to be installed in such a way that the object will be lifted perpendicular. If that is not possible, the necessary precautions must be taken to prevent load-swinging, e.g. by using two hoists, each at approximately the same angle not exceeding 30° from the vertical.
- 11 Locate the unit away from walls. Take all precautions to ensure that hot air exhausted from the engine and driven machine cooling systems cannot be recirculated. If such hot air is taken in by the engine or driven machine cooling fan, this may cause overheating of the unit; if taken in for combustion, the engine power will be reduced.

### 1.4 SAFETY DURING USE AND OPERATION

- 1 When the unit has to operate in a fire-hazardous environment, each engine exhaust has to be provided with a spark arrestor to trap incendiary sparks.
- 2 The exhaust contains carbon monoxide which is a lethal gas. When the unit is used in a confined space, conduct the engine exhaust to the outside atmosphere by a pipe of sufficient diameter; do this in such a way that no extra back pressure is created for the engine. If necessary, install an extractor. Observe any existing local regulations. Make sure that the unit has sufficient air intake for operation. If necessary, install extra air intake ducts.
- 3 When operating in a dust-laden atmosphere, place the unit so that dust is not carried towards it by the wind. Operation in clean surroundings considerably extends the intervals for cleaning the air intake filters and the cores of the coolers.
- 4 Close the compressor air outlet valve before connecting or disconnecting a hose. Ascertain that a hose is fully depressurized before disconnecting it. Before blowing compressed air through a hose or air line, ensure that the open end is held securely, so that it cannot whip and cause injury.
- 5 The air line end connected to the outlet valve must be safeguarded with a safety cable, attached next to the valve.
- 6 No external force may be exerted on the air outlet valves, e.g. by pulling on hoses or by installing auxiliary equipment directly to a valve, e.g. a water separator, a lubricator, etc. Do not step on the air outlet valves.
- 7 Never move a unit when external lines or hoses are connected to the outlet valves, to avoid damage to valves, manifold and hoses.
- 8 Do not use compressed air from any type of compressor, without taking extra measures, for breathing purposes as this may result in injury or death. For breathing air quality, the compressed air must be adequately purified according to local legislation and standards. Breathing air must always be supplied at stable, suitable pressure.
- 9 Distribution pipework and air hoses must be of correct diameter and suitable for the working pressure. Never use frayed, damaged or deteriorated hoses. Replace hoses and flexibles before the lifetime expires. Use only the correct type and size of hose end fittings and connections.
- 10 If the compressor is to be used for sand-blasting or will be connected to a common compressed-air system, fit an appropriate non-return valve (check valve) between compressor outlet and the connected sand-blasting or compressed-air system. Observe the right mounting position/direction.
- 11 Before removing the oil filler plug, ensure that the pressure is released by opening an air outlet valve.
- 12 Never remove a filler cap of the cooling water system of a hot engine. Wait until the engine has sufficiently cooled down.
- 13 Never refill fuel while the unit is running, unless otherwise stated in the Atlas Copco Instruction Book (AIB). Keep fuel away from hot parts such as air outlet pipes or the engine exhaust. Do not smoke when fuelling. When fuelling from an automatic pump, an earthing cable should be connected to the unit to discharge static electricity. Never spill nor leave oil, fuel, coolant or cleansing agent in or around the unit.

- 14 All doors shall be shut during operation so as not to disturb the cooling air flow inside the bodywork and/or render the silencing less effective. A door should be kept open for a short period only e.g. for inspection or adjustment.
- 15 Periodically carry out maintenance works according to the maintenance schedule.
- 16 Stationary housing guards are provided on all rotating or reciprocating parts not otherwise protected and which may be hazardous to personnel. Machinery shall never be put into operation, when such guards have been removed, before the guards are securely reinstalled.
- 17 Noise, even at reasonable levels, can cause irritation and disturbance which, over a long period of time, may cause severe injuries to the nervous system of human beings.  
When the sound pressure level, at any point where personnel normally has to attend, is:  
below 70 dB(A): no action needs to be taken,  
above 70 dB(A): noise-protective devices should be provided for people continuously being present in the room,  
below 85 dB(A): no action needs to be taken for occasional visitors staying a limited time only,  
above 85 dB(A): room to be classified as a noise-hazardous area and an obvious warning shall be placed permanently at each entrance to alert people entering the room, for even relatively short times, about the need to wear ear protectors,  
above 95 dB(A): the warning(s) at the entrance(s) shall be completed with the recommendation that also occasional visitors shall wear ear protectors,  
above 105 dB(A): special ear protectors that are adequate for this noise level and the spectral composition of the noise shall be provided and a special warning to that effect shall be placed at each entrance.
- 18 Insulation or safety guards of parts the temperature of which can be in excess of 80 °C (175 °F) and which may be accidentally touched by personnel shall not be removed before the parts have cooled to room temperature.
- 19 Never operate the unit in surroundings where there is a possibility of taking in flammable or toxic fumes.
- 20 If the working process produces fumes, dust or vibration hazards, etc., take the necessary steps to eliminate the risk of personnel injury.
- 21 When using compressed air or inert gas to clean down equipment, do so with caution and use the appropriate protection, at least safety glasses, for the operator as well as for any bystander. Do not apply compressed air or inert gas to your skin or direct an air or gas stream at people. Never use it to clean dirt from your clothes.
- 22 When washing parts in or with a cleaning solvent, provide the required ventilation and use appropriate protection such as a breathing filter, safety glasses, rubber apron and gloves, etc.
- 23 Safety shoes should be compulsory in any workshop and if there is a risk, however small, of falling objects, wearing of a safety helmet should be included.
- 24 If there is a risk of inhaling hazardous gases, fumes or dust, the respiratory organs must be protected and depending on the nature of the hazard, so must the eyes and skin.
- 25 Remember that where there is visible dust, the finer, invisible particles will almost certainly be present too; but the fact that no dust can be seen is not a reliable indication that dangerous, invisible dust is not present in the air.
- 26 Never operate the unit at pressures or speeds below or in excess of its limits as indicated in the technical specifications.

## 1.5 SAFETY DURING MAINTENANCE AND REPAIR

Maintenance, overhaul and repair work shall only be carried out by adequately trained personnel; if required, under supervision of someone qualified for the job.

- 1 Use only the correct tools for maintenance and repair work, and only tools which are in good condition.
- 2 Parts shall only be replaced by genuine Atlas Copco replacement parts.
- 3 All maintenance work, other than routine attention, shall only be undertaken when the unit is stopped. Steps shall be taken to prevent inadvertent starting. In addition, a warning sign bearing a legend such as "work in progress; do not start" shall be attached to the starting equipment.  
On engine-driven units the battery shall be disconnected and removed or the terminals covered by insulating caps.  
On electrically driven units the main switch shall be locked in open position and the fuses shall be taken out. A warning sign bearing a legend such as "work in progress; do not supply voltage" shall be attached to the fuse box or main switch.
- 4 Before dismantling any pressurized component, the compressor or equipment shall be effectively isolated from all sources of pressure and the entire system shall be relieved of pressure. Do not rely on non-return valves (check valves) to isolate pressure systems. In addition, a warning sign bearing a legend such as "work in progress; do not open" shall be attached to each of the outlet valves.
- 5 Prior to stripping an engine or other machine or undertaking major overhaul on it, prevent all movable parts from rolling over or moving.
- 6 Make sure that no tools, loose parts or rags are left in or on the machine. Never leave rags or loose clothing near the engine air intake.
- 7 Never use flammable solvents for cleaning (fire-risk).
- 8 Take safety precautions against toxic vapours of cleaning liquids.
- 9 Never use machine parts as a climbing aid.
- 10 Observe scrupulous cleanliness during maintenance and repair. Keep away dirt, cover the parts and exposed openings with a clean cloth, paper or tape.
- 11 Never weld on or perform any operation involving heat near the fuel or oil systems. Fuel and oil tanks must be completely purged, e.g. by steam-cleaning, before carrying out such operations. Never weld on, or in any way modify, pressure vessels. Disconnect the alternator cables during arc welding on the unit.
- 12 Support the towbar and the axle(s) securely if working underneath the unit or when removing a wheel. Do not rely on jacks.
- 13 Do not remove any of, or tamper with, the sound-damping material. Keep the material free of dirt and liquids such as fuel, oil and cleansing agents. If any sound-damping material is damaged, replace it to prevent the sound pressure level from increasing.
- 14 Use only lubricating oils and greases recommended or approved by Atlas Copco or the machine manufacturer. Ascertain that the selected lubricants comply with all applicable safety regulations, especially with regard to explosion or fire-risk and the possibility of decomposition or generation of hazardous gases. Never mix synthetic with mineral oil.
- 15 Protect the engine, alternator, air intake filter, electrical and regulating components, etc., to prevent moisture ingress, e.g. when steam-cleaning.
- 16 When performing any operation involving heat, flames or sparks on a machine, the surrounding components shall first be screened with non-flammable material.
- 17 Never use a light source with open flame for inspecting the interior of a machine.

- 18 When repair has been completed, the machine shall be barred over at least one revolution for reciprocating machines, several revolutions for rotary ones to ensure that there is no mechanical interference within the machine or driver. Check the direction of rotation of electric motors when starting up the machine initially and after any alteration to the electrical connection(s) or switch gear, to check that the oil pump and the fan function properly.
- 19 Maintenance and repair work should be recorded in an operator's logbook for all machinery. Frequency and nature of repairs can reveal unsafe conditions.
- 20 When hot parts have to be handled, e.g. shrink fitting, special heat-resistant gloves shall be used and, if required, other body protection shall be applied.
- 21 When using cartridge type breathing filter equipment, ascertain that the correct type of cartridge is used and that its useful service life is not surpassed.
- 22 Make sure that oil, solvents and other substances likely to pollute the environment are properly disposed of.
- 23 Before clearing the unit for use after maintenance or overhaul, check that operating pressures, temperatures and speeds are correct and that the control and shutdown devices function correctly.

## 1.6 TOOL APPLICATIONS SAFETY

Apply the proper tool for each job. With the knowledge of correct tool use and knowing the limitations of tools, along with some common sense, many accidents can be prevented.

Special service tools are available for specific jobs and should be used when recommended. The use of these tools will save time and prevent damage to parts.

## 1.7 SPECIFIC SAFETY PRECAUTIONS

### Batteries

When servicing batteries, always wear protecting clothing and glasses.

- 1 The electrolyte in batteries is a sulphuric acid solution which is fatal if it hits your eyes, and which can cause burns if it contacts your skin. Therefore, be careful when handling batteries, e.g. when checking the charge condition.
- 2 Install a sign prohibiting fire, open flame and smoking at the post where batteries are being charged.
- 3 When batteries are being charged, an explosive gas mixture forms in the cells and might escape through the vent holes in the plugs. Thus an explosive atmosphere may form around the battery if ventilation is poor, and can remain in and around the battery for several hours after it has been charged. Therefore:
  - never smoke near batteries being, or having recently been, charged,
  - never break live circuits at battery terminals, because a spark usually occurs.
- 4 When connecting an auxiliary battery (AB) in parallel to the unit battery (CB) with booster cables: connect the + pole of AB to the + pole of CB, then connect the - pole of CB to the mass of the unit. Disconnect in the reverse order.

### Pressure vessels

(according to directive 87/404/EEC annex II § 2)

Maintenance/installation requirements:

- 1 The vessel can be used as pressure vessel or as separator and is designed to hold compressed air for the following application:
  - pressure vessel for compressor,
  - medium AIR/OIL,
 and operates as detailed on the data plate of the vessel:
  - the maximum working pressure ps in bar,
  - the maximum working temperature Tmax in °C,
  - the minimum working temperature Tmin in °C,
  - the capacity of the vessel V in l.
- 2 The pressure vessel is only to be used for the applications as specified above and in accordance with the technical specifications. Safety reasons prohibit any other applications.
- 3 National legislation requirements with respect to re-inspection must be complied with.
- 4 No welding or heat treatment of any kind is permitted to those vessel walls which are exposed to pressure.
- 5 The vessel is provided and may only be used with the required safety equipment such as manometer, overpressure control devices, safety valve, etc.
- 6 Draining of condensate shall be performed regularly when vessel is in use.
- 7 Installation, design and connections should not be changed.
- 8 Bolts of cover and flanges may not be used for extra fixation.

### Safety valves

All adjustments or repairs are to be done by an authorized representative of the valve supplier (see maintenance schedule).

---

# ORDERING SPARE PARTS

---

## **ORDERING SPARE PARTS**

Always quote the part number, the designation and the quantity of the parts required, as well as the type and the serial number of the machine.

### **EXPLANATION OF THE COLUMNS**

#### **REF : REFERENCE CODE**

Establishes the connection between a part in the list and a part in the illustration.

"-" means that the part is not shown in the illustration.

#### **PART NUMBER**

If no part number is given, the part cannot be obtained as a spare part. Parts marked with a dot are part of the assembly listed right above them.

#### **DESIGNATION**

Usually this is the name of the part. For standard parts, in addition to the name, a number of characteristics are given.

#### **QTY : QUANTITY**

Indicates the quantity of the part concerned. "AR" stands for "As Required".

## **BESTELLEN VAN ONDERDELEN**

Vermeld steeds het onderdeelnummer, de benaming en het aantal van de gewenste stukken, evenals het type en het serienummer van de machine.

### **TOELICHTING BIJ DE KOLOMMEN**

#### **REF : REFERENTIECODE**

Legt het verband tussen een onderdeel uit de lijst en een onderdeel op de tekening. "-" betekent dat het onderdeel niet is getekend.

#### **PART NUMBER : ONDERDEELNUMMER**

Indien niet opgegeven is het onderdeel niet als wisselstuk beschikbaar. Onderdelen aangeduid met een stip maken deel uit van het geheel dat boven de betreffende onderdelen staat.

#### **DESIGNATION : BENAMING**

Meestal de benaming van het onderdeel. In het geval van standaard onderdelen worden naast de benaming een aantal karakteristieken opgegeven.

#### **QTY : AANTAL**

Geeft de hoeveelheid van het betreffende onderdeel weer. De aanduiding "AR" betekent "As Required" (zoals vereist).

## **COMMANDE DE PIÈCES DETACHEES**

Toujours indiquer le numéro de pièce, la désignation, la quantité désirée ainsi que le type et le numéro de série du groupe.

### **EXPLICATION DES INTITULES DES COLONNES**

#### **REF : CODE DE REFERENCE**

Réfère à la pièce détachée spécifiée dans la liste et sur l'illustration. "-" implique que la pièce n'est pas indiquée sur l'illustration.

#### **PART NUMBER : NUMERO DE PIECE DETACHEE**

Si le numéro n'est pas indiqué, la pièce n'est pas disponible en tant que pièce de rechange.

Les pièces indiquées par un point gras font partie de l'ensemble se trouvant au-dessus des pièces détachées correspondantes.

#### **DESIGNATION**

En général, le nom de la pièce. S'il s'agit de pièces standard, outre la désignation, un certain nombre de caractéristiques sont indiquées.

#### **QTY : QUANTITE**

Indique la quantité de la pièce détachée. "AR" indique "As required", c'est-à-dire la quantité à déterminer selon le cas.

## **BESTELLUNG VON ERSATZTEILEN**

Stets die Teilenummer, die Bezeichnung, und die Anzahl der gewünschten Teile sowie den Typ und die Seriennummer der Maschine angeben.

### **INFORMATION ZU DEN SPALTEN**

#### **REF : REFERENZCODE**

Stellt die Verbindung zwischen einem Teil in der Liste und einem Teil auf der Zeichnung her. "-" bedeutet, daß das Teil nicht in der Zeichnung dargestellt ist.

#### **PART NUMBER : TEILENUMMER**

Wenn keine Teilenummer angegeben ist, ist das Teil nicht als Ersatzteil erhältlich.

Mit einem Punkt markierte Teile gehören zu der Einheit, die über den jeweiligen Teilen aufgeführt ist.

#### **DESIGNATION : BEZEICHNUNG**

Meistens die Bezeichnung des Teils. Bei Standardteilen werden neben der Bezeichnung einige technische Daten angegeben.

#### **QTY : ANZAHL**

Gibt die Anzahl des betreffenden Teils an. Die Angabe "AR" steht für "As Required" (wie erforderlich).

## **PEDIDO DE PARTES**

Siempre comunicar el número de parte, la designación y la cantidad deseada así como el tipo y el número de serie de la máquina.

### **INFORMACIONES SOBRE LAS COLUMNAS**

#### **REF : CODIGO DE REFERENCIA**

Establece la conexión entre una parte en la lista y una parte en la ilustración.

"-" quiere decir que la parte no está ilustrada.

#### **PART NUMBER : NUMERO DE PARTE**

Si no se da ningún número, quiere decir que la parte no está disponible como parte de recambio.

Partes marcadas con un punto son partes del conjunto indicado más arriba.

#### **DESIGNATION : DESIGNACION**

Principalmente el nombre de la parte. En caso de partes estándares, el nombre es seguido por especificaciones.

#### **QTY : CANTIDAD**

Indica la cantidad de la parte correspondiente. La indicación "AR" significa "As Required" (como sea requerido).

## **BESTÄLLNING AV RESERVDLAR**

Ange alltid reservdelsnummer, benämning och kvantitet för varje önskad detalj samt maskinens typ och tillverkningsnummer.

### **TÖRKLARING AV SPALTER**

#### **REF : REFERENSNUMMER**

Identifierar motsvarande detaljer i listan och illustrationen. "-" betyder att detaljen inte visas i illustrationen.

#### **PART NUMBER : RESERVDLSNUMMER**

Om inget reservdelsnummer anges, kan detaljen inte erhållas som reservdel. Detaljer som anges med en punkt ingår i den monteringsatts som listas ovanför dessa.

#### **DESIGNATION : BENÄMNING**

Detta är vanligen namnet på detaljen. För standarddetaljer anges förutom namnet ett antal specifikationer.

#### **QTY : KVANTITET**

Anger den ifrågavarande detaljens kvantitet. "AR" (As Required) betyder enligt behov.

# ORDERING SPARE PARTS

## **ORDINAZIONE DI PARTI DI RICAMBIO**

Menzionare sempre il numero della parte, la denominazione e il numero de pezzi desiderati, nonché il tipo e il numero di serie della macchina.

### **SPIEGAZIONE DELLE COLONNE**

#### **REF : CODICE DI RIFERIMENTO**

Stabilisce il nesso tra un pezzo nell'elenco e un pezzo nell'illustrazione. "-" significa che il pezzo non è presente nell'illustrazione.

#### **PART NUMBER : NUMERO DELLA PARTE**

Nel caso non sia fornito il numero di parte, il pezzo non può essere ordinato come parte di ricambio.

Il componenti indicati con un puntino fanno parte del gruppo elencato immediatamente sopra di essi.

#### **DESIGNATION : DENOMINAZIONE**

Generalmente si tratta della denominazione della parte. Per i pezzi standard oltre alla denominazione sono fornite alcune caratteristiche.

#### **QTY : QUANTITA'**

Indica la quantità dei pezzi in questione. "AR" significa "As Required" (Come richiesto).

## **ΠΑΡΑΓΓΕΛΙΑ ΑΝΤΑΛΛΑΚΤΙΚΩΝ**

Πάντοτε σημειώνετε τον κωδικό, τον προσδιορισμό και την ποσότητα των απαιτούμενων ανταλλακτικών, καθώς επίσης τον τύπο και τον αύξοντα κωδικό αριθμό παραγωγής του μηχανήματος.

### **ΕΞΗΓΗΣΗ ΤΩΝ ΣΤΗΛΩΝ**

#### **REF : ΚΩΔΙΚΟΣ ΑΝΑΦΟΡΑΣ**

Παρουσιάζει τη σχέση μεταξύ ενός εξαρτήματος στη λίστα και ενός εξαρτήματος στη φωτογραφία. Το "-" σημαίνει ότι το εξάρτημα δεν εμφανίζεται στη φωτογραφία.

#### **PART NUMBER : ΚΩΔΙΚΟΣ ΑΡΙΘΜΟΣ**

Αν δεν δίνεται κάποιος κωδικός αριθμός, τότε το εξάρτημα δεν μπορεί να ληφθεί ως ανταλλακτικό.

Τα εξαρτήματα που έχουν μαρκαρισθεί με μία τελεία είναι τμήματα του συγκροτήματος που παρουσιάζεται ακριβώς πάνω από αυτά.

#### **DESIGNATION : ΠΡΟΣΔΙΟΡΙΣΜΟΣ**

Συνήθως αυτό είναι το όνομα του εξαρτήματος. Για τα βασικά εξαρτήματα, επιπροσθέτα στην ονομασία, δίνεται και ένας αριθμός χαρακτηριστικών.

#### **QTY : ΠΟΣΟΤΗΤΑ**

Δηλώνει την ποσότητα του υπόψη εξαρτήματος. "AR" σημαίνει "Ως απαιτείται". Για τα βασικά εξαρτήματα, η ποσότητα δίνεται στη φωτογραφία παρά στη λίστα.

## **BESTÄLLNING AV RESERVDLAR**

Ange alltid reservdelsnummer, benämning och kvantitet för varje önskad detalj samt maskinens typ och tillverkningsnummer.

### **TÖRKLARING AV SPALTER**

#### **REF : REFERENSNUMMER**

Identifierar motsvarande detaljer i listan och illustrationen. "-" betyder att detaljen inte visas i illustrationen.

#### **PART NUMBER : RESERVDLSNUMMER**

Om inget reservdelsnummer anges, kan detaljen inte erhållas som reservdel. Detaljer som anges med en punkt ingår i den monteringslistan som listas ovanför dessa.

#### **DESIGNATION : BENÄMNING**

Detta är vanligen namnet på detaljen. För standarddetaljer anges förutom namnet ett antal specifikationer.

#### **QTY : KVANTITET**

Anger den ifrågavarande detaljens kvantitet. "AR" (As Required) betyder enligt behov.

## **ONCOMENDAS DE PEÇAS**

Refira sempre o número da peça, a designação e a quantidade das peças que pretende encomendar, assim como o tipo e o número de série do aparelho.

### **EXPLICAÇÃO DAS COLUNAS**

#### **REF : CÓDIGO DE REFERÊNCIA**

Estabeleça a ligação entre a peça na lista e a peça no desenho. "-" significa que a peça não vem no desenho.

#### **PART NUMBER : NÚMERO DA PEÇA**

Se não vier referido o número da peça, a peça não pode ser adquirida como peça sobressalente.

As peças marcadas com pontos são peças de um conjunto listado acima dessa peça.

#### **DESIGNATION : DESIGNAÇÃO**

Geralmente é o nome da peça. Para peças normalizadas, além do nome da peça, vem também referido um número.

#### **QTY : QUANTIDADE**

Indica a quantidade da peça em questão. "AR" (As Required) quer dizer "Como solicitado".

## **BESTILLING AV RESERVEDELER**

Opggi alltid delenummer, betegnelse og antall på de delene du trenger, samt maskintype og serienummer.

### **FORKLARING TIL SPALTENE**

#### **REF: REFERANSEKODE**

Viser hvor en del i listen er vist på illustrasjonen. "-" betyr at delen ikke er vist på illustrasjonen.

#### **DELENUMMER**

Hvis delenummer ikke er oppgitt, kan delen ikke bestilles som reservedel. Deler merket med en prikk er del av enheten som er oppgitt like ovenfor de aktuelle delene.

#### **BETEGNELSE**

Dette er vanligvis delens navn. Ved standarddeler blir enkelte karakteristika oppgitt i tillegg til navnet.

#### **QTY: ANTALL**

Oppgir antallet av den aktuelle delen. "EB" betyr "Etter behov".

## **VARAOSIEN TILAAMINEN**

Tilauksessa tulee aina mainita osanumero, nimike ja määrä sekä kompressorin tyyppi ja sarjanumero.

### **SARAKKEIDEN SELITYKSET**

#### **REF: VIITE: VIITEKOODI**

Viitekoodi yhdistää luettelossa mainitun osan kuvassa olevaan. "-" tarkoittaa, että osaa ei ole merkitty kuvaan.

#### **PART NUMBER: OSANUMERO**

Ellei osanumeroa ole mainittu, osaa ei ole saatavana varaosana. Pisteellä merkityt osat kuuluvat niiden edellä mainittuun asennelmaan.

#### **DESIGNATION: NIMIKE**

Nimikkeenä käytetään tavallisesti osan nimeä. Vakio-osien ollessa kyseessä mainitaan nimen lisäksi osan joitakin ominaisuuksia.

#### **QTY: MÄÄRÄ**

Tarkoittaa kyseisten osien lukumäärää. "AR" tarkoittaa "tarpeen mukaan".

# ORDERING SPARE PARTS

## **ZAMAWIANIE CZĘŚCI ZAMIENNYCH**

Należy zawsze podawać numery, nazwy i ilości potrzebnych części, a także typ i numer seryjny maszyny.

## **WYJAŚNIENIE PRZEZNACZENIA KOLUMN**

### **REF: KOD REFERENCYJNY**

Kojarzy część na liście z częścią na ilustracji. Symbol “-” oznacza, że część nie jest przedstawiona na ilustracji.

### **PART NUMBER (NUMER CZĘŚCI)**

Brak numeru oznacza, że dana część nie jest dostępna jako część zamienna.

Części oznaczone kropką należą do zespołu wymienionego bezpośrednio nad nimi.

### **DESIGNATION (NAZWA)**

Zwykle jest to nazwa części. W przypadku części standardowych oprócz nazwy podano szereg właściwości.

### **QTY (IL.): ILOŚĆ**

Ilość części danego rodzaju. “AR” (“OP”) oznacza “odpowiednio do potrzeb”.

## **Заказ запасных частей**

Необходимо всегда указывать номер детали, наименование и количество заказываемых запчастей, а также тип и серийный номер устройства.

## **Расшифровка столбцов**

### **ИЛЛ. : код сноски**

Показывает ссылку детали в списке на ее соответствующую иллюстрацию.

“-” означает, что к данной детали нет иллюстраций.

### **НОМЕР ДЕТАЛИ**

Отсутствие номера детали означает, что данная деталь как запчасть не поставляется.

Детали, помеченные точкой, являются частями сборного механизма, который указан над этими деталями.

### **НАИМЕНОВАНИЕ**

Обычно, название детали. К стандартным деталям, кроме названия, могут быть даны некоторые их характеристики.

### **КОЛ-ВО: Количество**

Показывает количество деталей. «По тр.» означает «по требованию».

## **OBJEDNÁVÁNÍ NÁHRADNÍCH DÍLŮ**

V objednávce vždy uveďte číslo dílu, jeho označení a požadované množství. Rovněž tak udejte typ a výrobní číslo zařízení.

## **VYSVĚTLIVKY K JEDNOTLIVÝM SLOUPCŮM**

### **REF : REFERENČNÍ KÓD**

Udává spojitost mezi dílem v seznamu a dílem na obrázku. “-” znamená, že díl není na obrázku uveden.

### **ČÍSLO DÍLU**

Pokud není číslo dílu uvedeno, nelze tuto součást objednat jako náhradní díl.

Díly označené tečkami jsou součástí konstrukčního celku, který je uveden přímo nad nimi.

### **OZNAČENÍ**

Ve sloupci označení bývá obvykle uveden název dílu. U standardních součástí je vedle názvu uváděna též řada dalších charakteristik.

### **POĚT : MNOŽSTVÍ**

Označuje množství uvedených dílů. Zkratka “PP” znamená “Podle požadavku”.

## **PÓTALKATRÉSZ-RENDELÉS**

Mindig jelezze a szükséges alkatrész számát, megnevezését és mennyiségét, valamint a gép típusát és sorozatszámát.

## **AZ OSZLOPOK MAGYARÁZATA**

### **REF: REFERENCIAKÓD**

Ez teremt kapcsolatot a listán szereplő alkatrész és az ábrán látható alkatrész között.

“-”: azt jelenti, hogy az adott alkatrész nem szerepel az ábrán.

### **ALKATRÉSZ-SZÁM**

Ha nincsen megadva alkatrész-szám, akkor az adott alkatrész nem rendelhető meg pótalkatrészként.

A ponttal jelölt alkatrészek a közvetlenül fölöttük felsorolt szerelvény részét képezik.

### **MEGNEVEZÉS**

Rendszerint ez az alkatrész neve. Az alapfelszereltséghez tartozó alkatrészek esetében a név mellett néhány jellemző adat is szerepel.

### **QTY: MENNYISÉG**

Az adott alkatrész mennyiségét jelzi. “SZ” jelentése “Szükség szerint”

## **订购备件**

请务必提供所需部件的部件号、名称和数量，以及设备型号和序列号。

## **表格各列说明**

### **REF: 参考代码**

确立列表内部件与插图内部件间的联系。

“-”表示插图内未显示此部件。

### **部件号**

如果未给出部件号，则表明无法通过备件方式购买此部件。标有圆点的部件是其上一行所列配件的一部分。

### **名称**

通常为部件的名称。对于标准件，除了名称外，还会列出它的一些特性。

### **QTY: 数量**

表明可供部件的数量。“AR”代表“根据需要”

## **OBJEDNÁVANIE NÁHRADNÝCH SÚČIASTOK**

Uvádajte vždy číslo súčiastky, označenie a množstvo požadovaných súčiastok, ako aj typ a výrobné číslo stroja.

## **VYSVETLENIE STŮPCOV**

### **REF : REFERENČNÝ KÓD**

Stanovuje spojitost medzi súčiastkou v zozname a súčiastkou na obrázku. “-” znamená, že súčiastka nie je zobrazená na obrázku.

### **ČÍSLO SÚČIASTKY**

Ak nie je uvedené žiadne číslo súčiastky, táto súčiastka nie je k dispozícii ako náhradná.

Súčiastky označené bodkou sú časťou zostavy uvedenej hneď nad nimi.

### **OZNAČENIE**

Obyčajne je to názov súčiastky. U normalizovaných súčiastok sa okrem názvu uvádza aj niekoľko charakteristik

### **QTY : MNOŽSTVO**

Označuje množstvo danej súčiastky. “AR” je skratka pre “Podľa potreby”.

# ORDERING SPARE PARTS

## NAROČEVANJE NADOMESTNIH DELOV

Zmeraj navedite številko nadomestnega dela, označbo in količino potrebnih delov ter tip in serijsko številko stroja.

### RAZLAGA STOLPCEV

**REF :** REFERENČNA ŠIFRA

Predstavlja povezavo med delom na seznamu in delom na ilustraciji. "-" predstavlja del, ki ni prikazan na ilustraciji.

### ŠTEVILKA DELA

Če številka dela ni podana potem je ne morete dobiti kot nadomestni del. Deli označeni s piko so sestavni del montaže, navedene nad njimi.

### OZNAČBA

Običajno je to ime nadomestnega dela. Pri standardnih delih je poleg imena podano še število značilnosti.

**QTY :** KOLIČINA

Označuje količino nadomestnih delov. "AR" pomeni "kot je bilo zahtevano".

## ATSARGINIŲ DALIŲ UBSAKYMAS

Visuomet nurodykite dalies numerą, pavadinimą ir reikiamą dalių kieką, taip pat ir mašinos tipą bei serijinį numerą.

### STULPELIŲ PAAIKINIMAI

**NRD.:** NUORODOS KODAS

Susieja sąrašde nurodytą dalį su jos atvaizdu iliustracijoje. "-" reiškia, jog dalis iliustracijoje nepavaizduota.

### DALIES NUMERIS

Jei numerio nenurodyta, detalės negalima įsigyti kaip atsarginės dalies. Tađku pažymėtos dalys yra prieš jas sąrašde nurodyto mazgo sudėtinė dalis.

### PAVADINIMAS

Paprastai tai dalies pavadinimas. Standartinėms dalims kartu su pavadinimu nurodomos ir kelios charakteristikos.

**KIEK.:** KIEKIS

Nurodo susijusio dalių kieką. "AR" reiškia "As required" (pagal poreiką).

## VARUOSADE TELLIMINE

Alati viidake osa numbrile, tähisele ja vajalikule osade kogusele, samuti masina tüübile ja seerianumbrile.

### SELGITUS VEERGUDE KOHTA

**REF :** VIITENUMBER

Loob seose nimekirjas toodud osa ja illustratsioonil esitatud osa vahel. "-" tähendab, et illustratsioonil ei ole seda osa kujutatud.

### OSA NUMBER

Kui osa numbrit ei ole toodud, pole seda osa võimalik varuosana soetada. Punktiga tähistatud osad on nende kohal toodud koostu osaks.

### TÄHIS

Tavaliselt on see osa nimetus. Standardosadel on lisaks nimetusele toodud ka tunnusnumber.

**QTY :** KOGUS

Osutab vastava osa kogusele. "AR" tähendab vajadusel ("As Required").

## REZERVES DAĪŲ PASŪTĪĀNA

Vienmēr miniet daļas numuru, apzīmējumu un nepieciešamo detaļu daudzumu, kā arī mašinas tipu un sērijas numuru.

### AIŅU IZSKAIDROJUMS

**REF :** ATSAUKSMES KODS

Izveido saikni starp detaļu sarakstā un detaļu uz attēla. "-" nozīmē, ka detaļa nav attēlota ilustrācijā.

### DETAĪĀS NUMURS

Ja detaļas numurs nav minēts, tad detaļu nevar iegūt kā rezerves daļu. Ar punktu apzīmētās detaļas ir mezgla sastāvdaļas, kurās ir attēlots tieši virs tām.

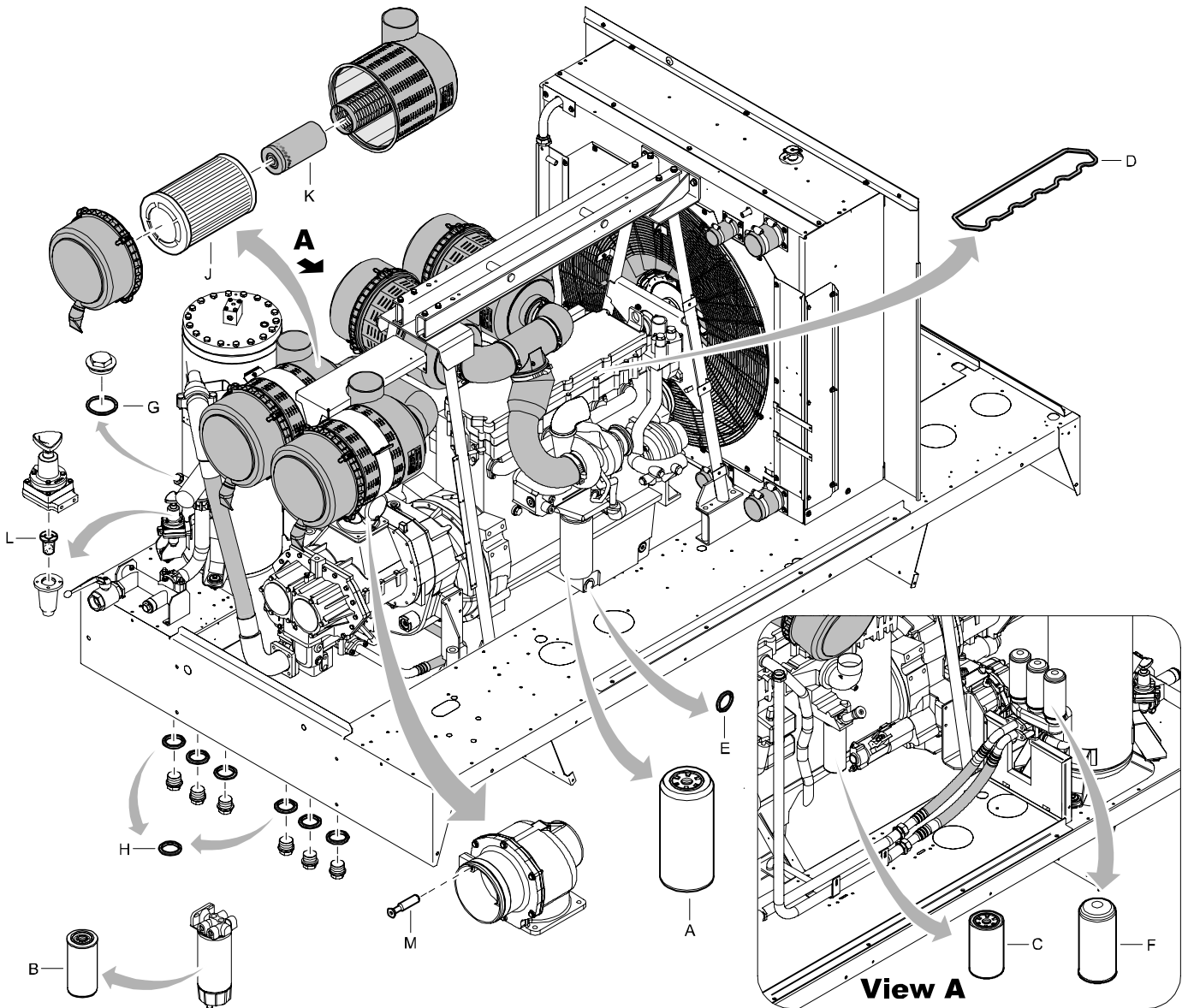
### APZĪMĶJUMS

Parasti tas ir detaļas nosaukums. Standarta detaļām, papildus nosaukumam, tiek minēta virkne raksturojumu \ specifikāciju.

**QTY :** DAUDZUMS

Norāda domātās detaļas daudzumu. "AR" nozīmē "As Required" – "kā nepieciešams".

# SERVICE PAK



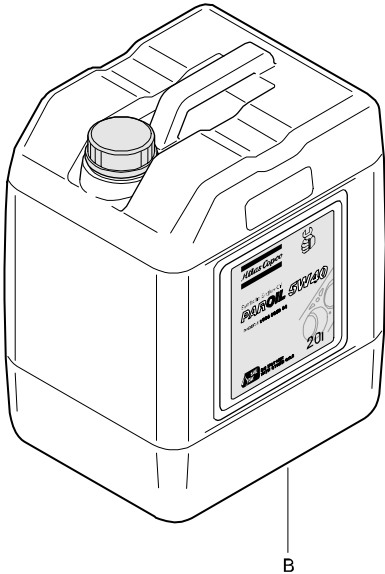
REF	PART NUMBER	DESIGNATION	QTY	REF	PART NUMBER	DESIGNATION	QTY
-	WITH UNIT	SERVICE PAK 50H (Not available separately)	1	-	2912 4432 06	SERVICE PAK 1000H	
•F	-	FILTER ELEMENT	3	•A	-	OIL FILTER	1
-	2912 4432 05	SERVICE PAK 500H		•B	-	FUEL PRE FILTER	1
•A	-	OIL FILTER	1	•C	-	FINAL FUEL FILTER	1
•B	-	FUEL PRE FILTER	1	•D	-	GASKET ENGINE COVER	1
•C	-	FINAL FUEL FILTER	1	•E	-	SEALING WASHER (For details see page 251)	1
•D	-	GASKET ENGINE COVER	1	•F	-	FILTER ELEMENT (=1202.8040.00)	3
•E	-	SEALING WASHER (For details see page 251)	1	•G	-	FLAT GASKET (For details see page 251)	1
				•H	-	SEALING WASHER (For details see page 251)	6
				•J	-	AIR FILTER ELEMENT	4
				•K	-	AIR FILTER SAFETY CARTRIDGE	4
				•L	-	FILTER	1
				•M	-	VALVE	1

---

# ENGINE OIL

PAROIL 5W40

---



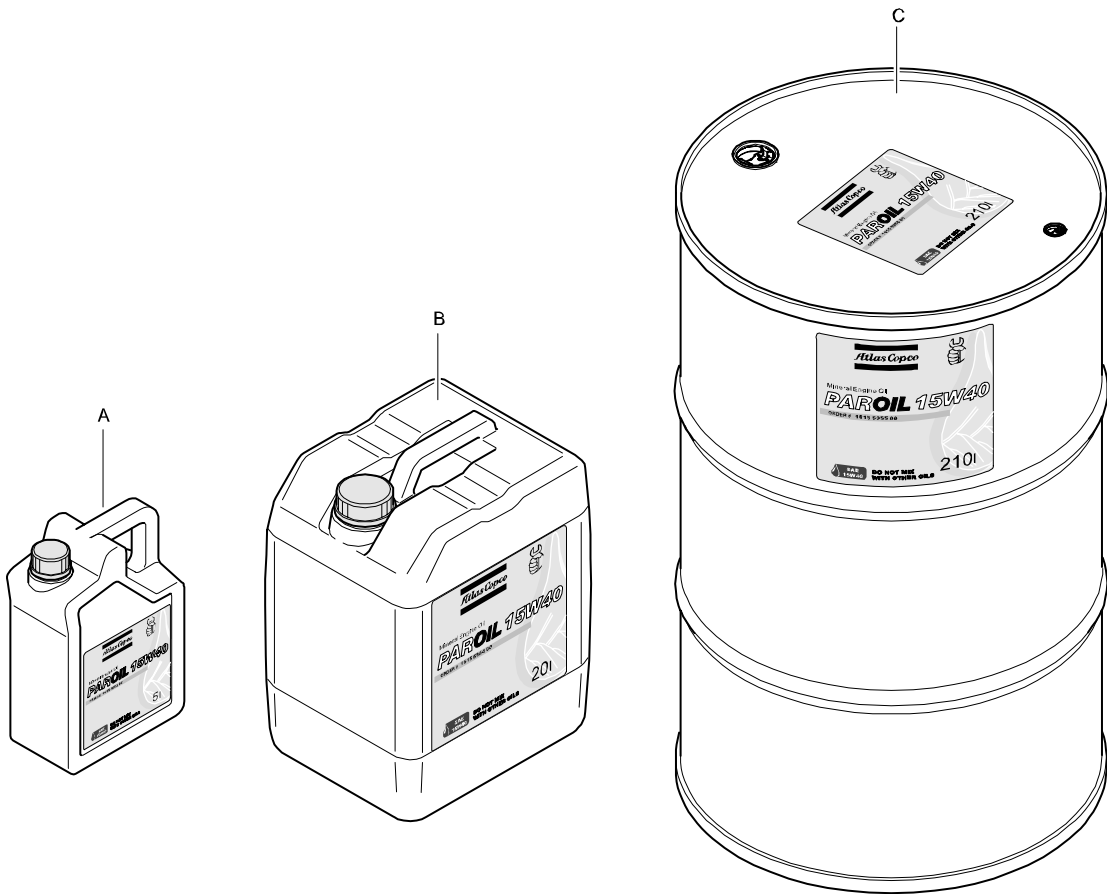
REF	PART NUMBER	DESIGNATION	QTY	REF	PART NUMBER	DESIGNATION	QTY
A	1604 6060 01	PAROIL 5W40 5 LITER CAN	1				
B	1604 6059 01	PAROIL 5W40 20 LITER CAN	1				

---

# ENGINE OIL

PAROIL 15W40

---



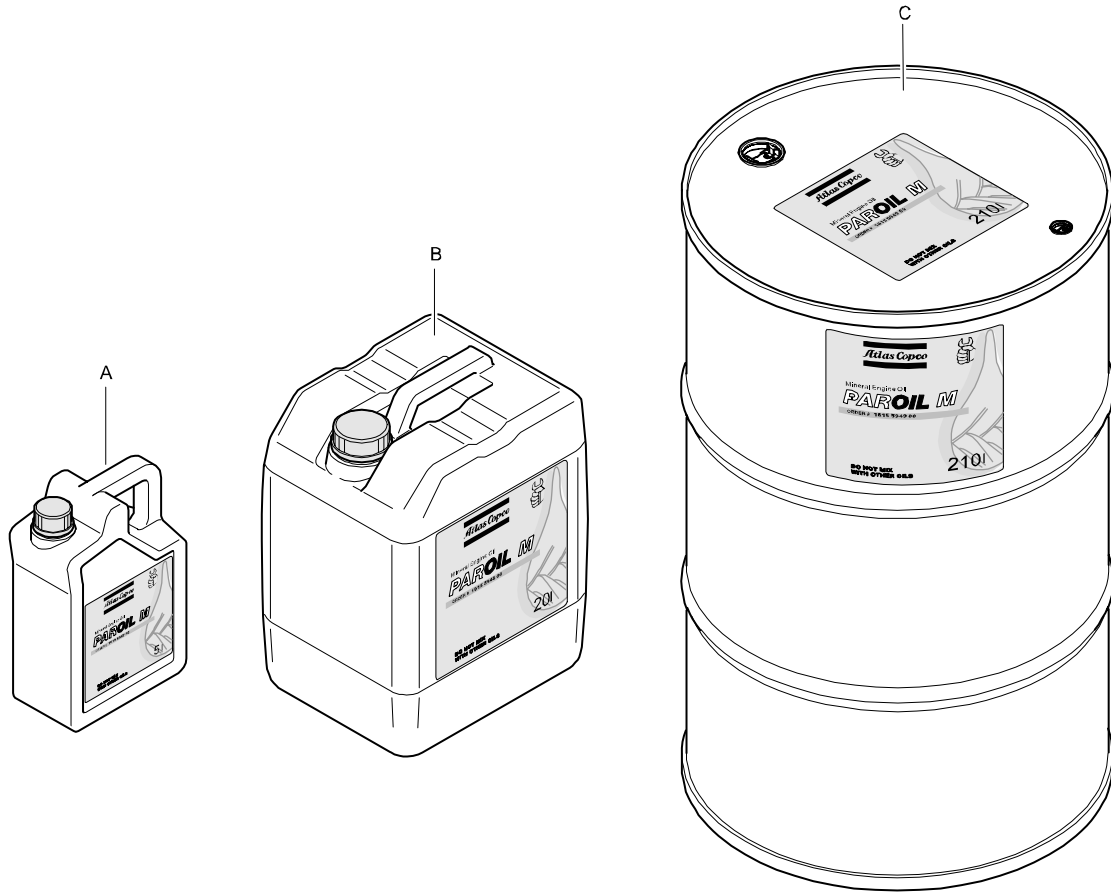
REF	PART NUMBER	DESIGNATION	QTY	REF	PART NUMBER	DESIGNATION	QTY
A	1615 5953 00	PAROIL 15W40 5 LITER CAN	1				
B	1615 5954 00	PAROIL 15W40 20 LITER CAN	1				
C	1615 5955 00	PAROIL 15W40 210 LITER BARREL	1				

---

# COMPRESSOR OIL

## PAROIL M

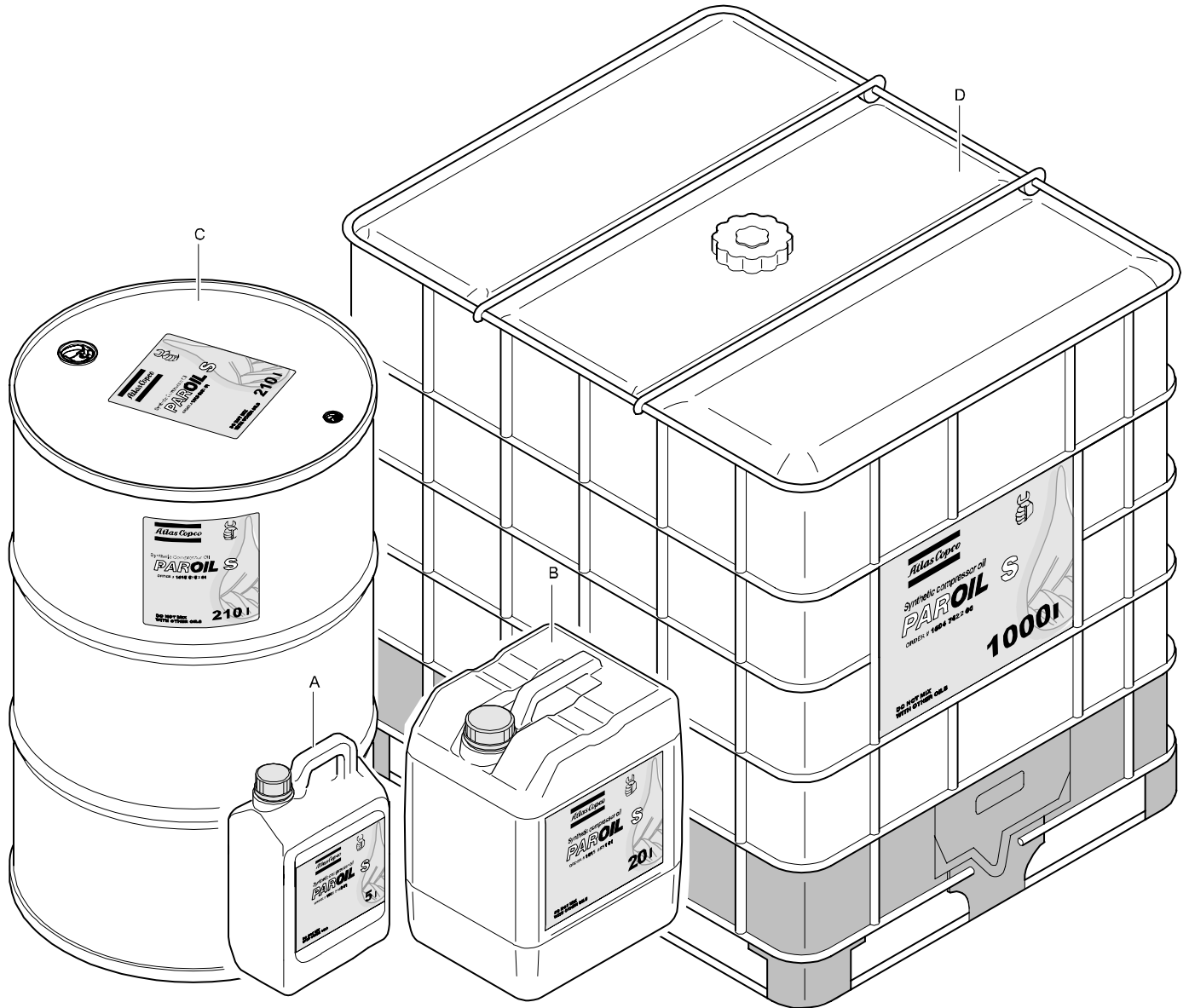
---



REF	PART NUMBER	DESIGNATION	QTY	REF	PART NUMBER	DESIGNATION	QTY
		<b>PAROIL M</b>					
A	1615 5947 00	OIL CAN 5 L	1				
B	1615 5948 00	OIL CAN 20 L	1				
C	1615 5949 00	STEEL DRUM 210 L	1				

# COMPRESSOR OIL

## PAROIL S



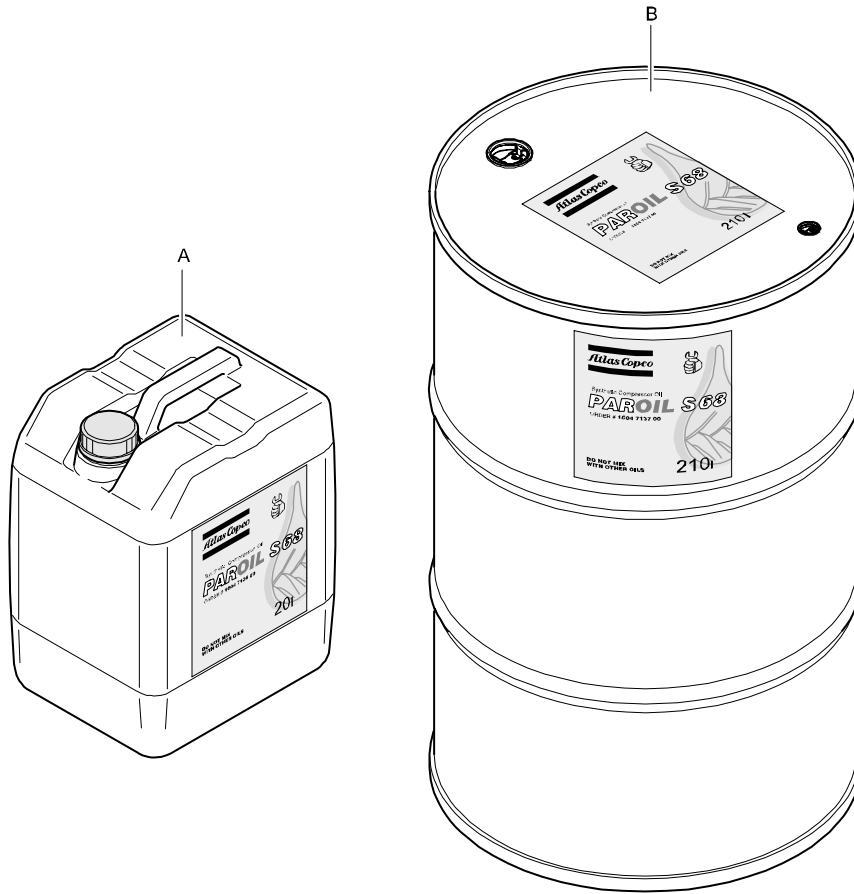
REF	PART NUMBER	DESIGNATION	QTY	REF	PART NUMBER	DESIGNATION	QTY
		<i>PAROIL S</i>					
A	1615 5950 01	OIL CAN 5 L	1				
B	1615 5951 01	OIL CAN 20 L	1				
C	1615 5952 01	STEEL DRUM 210 L	1				
D	1604 7422 00	CONTAINER 1000 L	1				

---

# COMPRESSOR OIL

PAROIL S 68

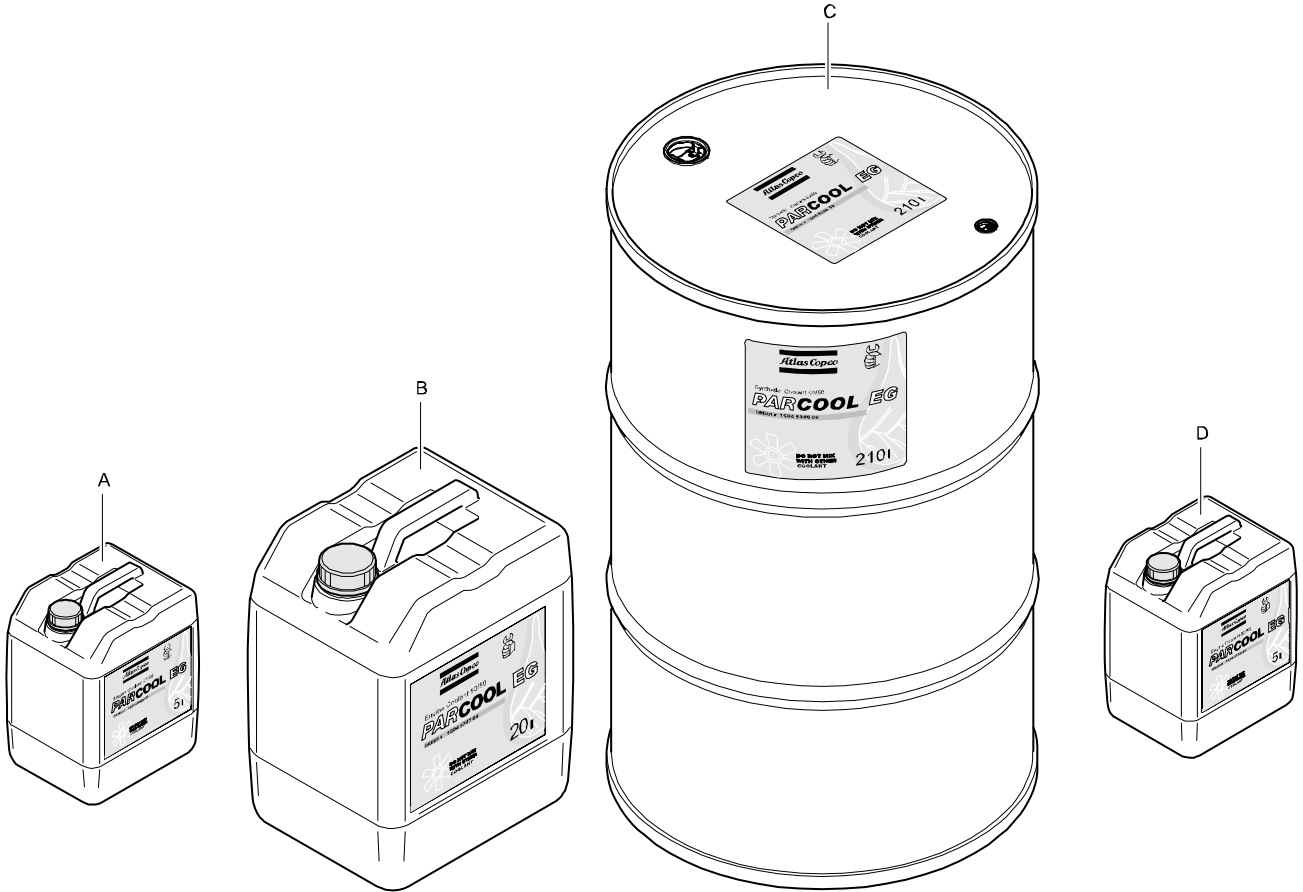
---



REF	PART NUMBER	DESIGNATION	QTY	REF	PART NUMBER	DESIGNATION	QTY
		<i>PAROIL S 68</i>					
A	1604 7136 00	OIL CAN 20 L	1				
B	1604 7136 00	STEEL DRUM 210 L	1				

# ENGINE COOLANT

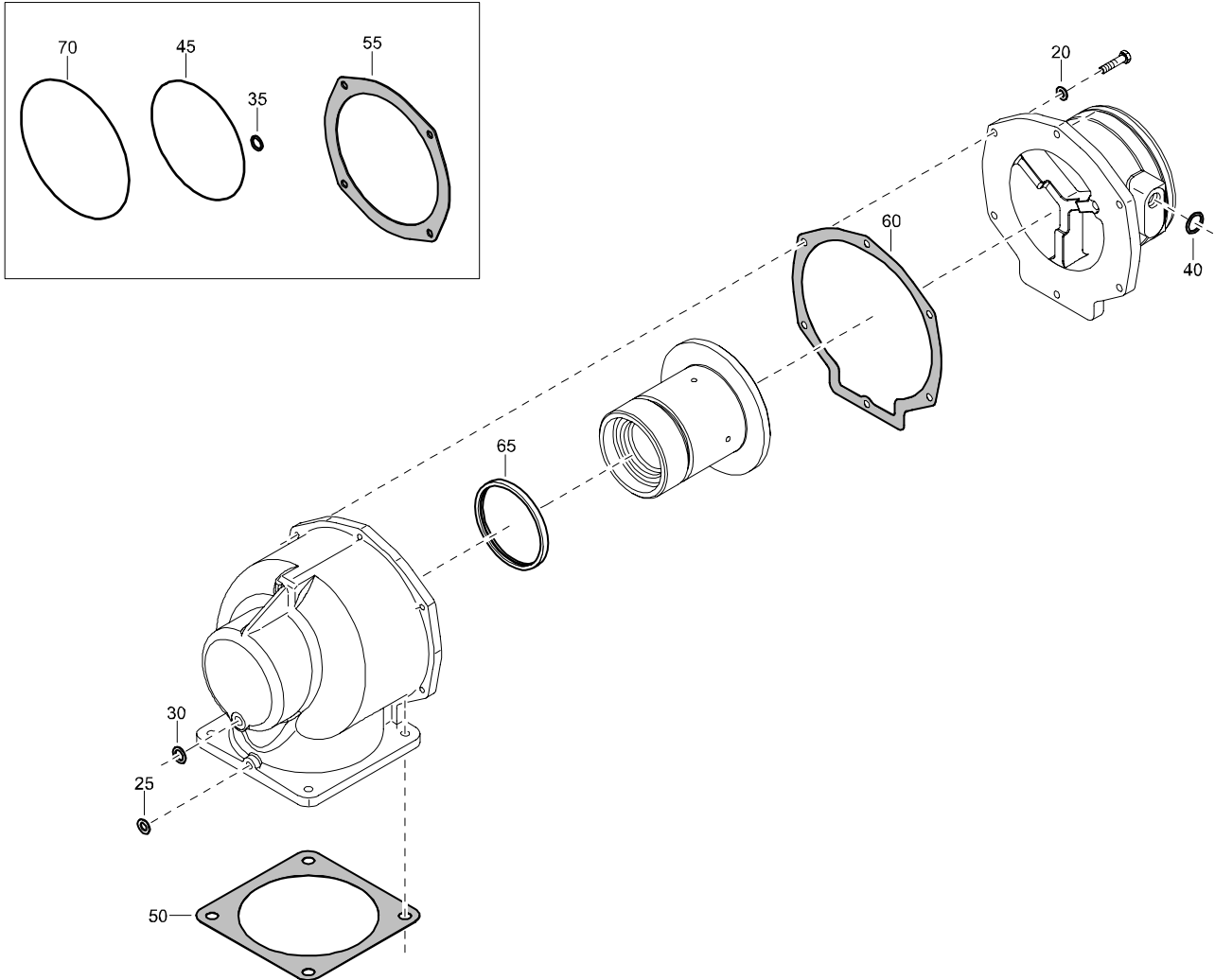
PARCOOL EG



REF	PART NUMBER	DESIGNATION	QTY	REF	PART NUMBER	DESIGNATION	QTY
A	1604 5308 00	PARCOOL EG 5 LITER CAN	1				
B	1604 5307 01	PARCOOL EG 20 LITER CAN	1				
C	1604 5306 00	PARCOOL EG 210 LITER BARREL	1				
D	1604 8159 00	PARCOOL EG CONCENTRATE 5 LITER CAN	1				

# SERVICE KIT

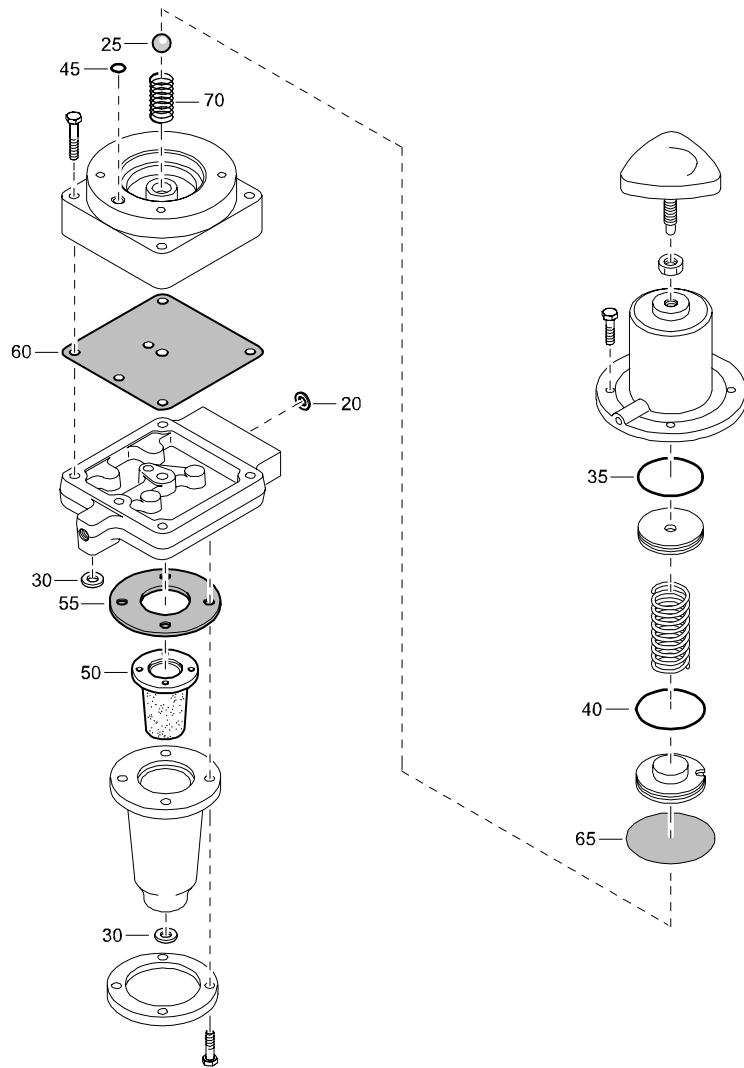
## UNLOADING VALVE



REF	PART NUMBER	DESIGNATION	QTY	REF	PART NUMBER	DESIGNATION	QTY
-	2910 3003 00	SERVICE KIT UNLOADING VALVE					
•20	-	PLAIN WASHER	6				
•25	-	FLAT GASKET	1				
•30	-	FLAT GASKET	1				
•35	-	FLAT GASKET	1				
•40	-	FLAT GASKET	1				
•45	-	O-RING	1				
•50	-	GASKET	1				
•55	-	GASKET	1				
•60	-	GASKET	1				
•65	-	SEALRING	1				
•70	-	O-RING	2				

# SERVICE KIT

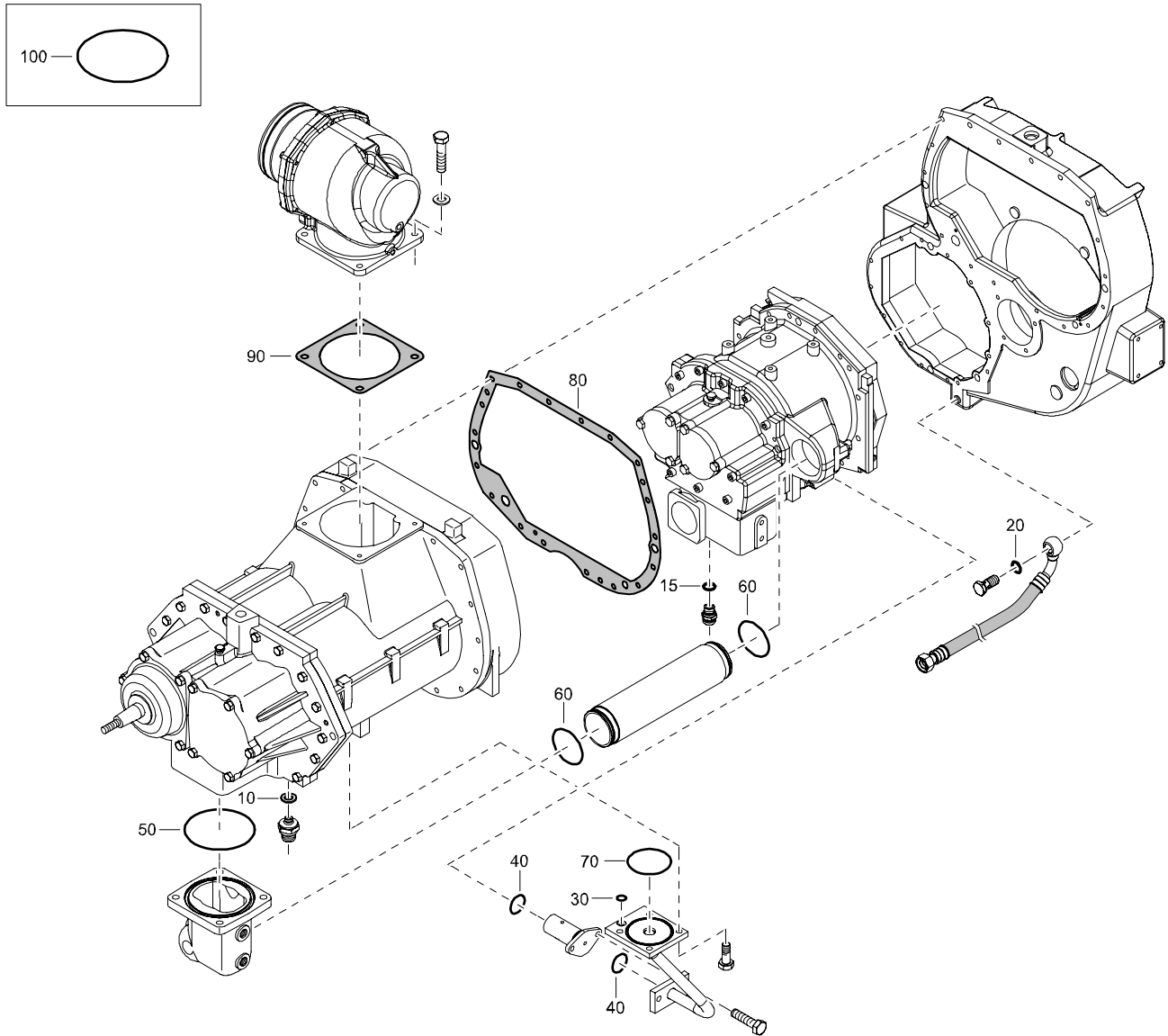
## REGULATING VALVE



REF	PART NUMBER	DESIGNATION	QTY	REF	PART NUMBER	DESIGNATION	QTY
-	2910 3005 00	SERVICE KIT REGULATING VALVE					
•20	-	PLAIN WASHER	2				
•25	-	BEARING BALL	1				
•30	-	FLAT GASKET	2				
•35	-	O-RING	1				
•40	-	O-RING	1				
•45	-	O-RING	1				
•50	-	FILTER	1				
•55	-	GASKET	1				
•60	-	GASKET	1				
•65	-	MEMBRANE	1				
•70	-	SPRING	1				

# SERVICE KIT

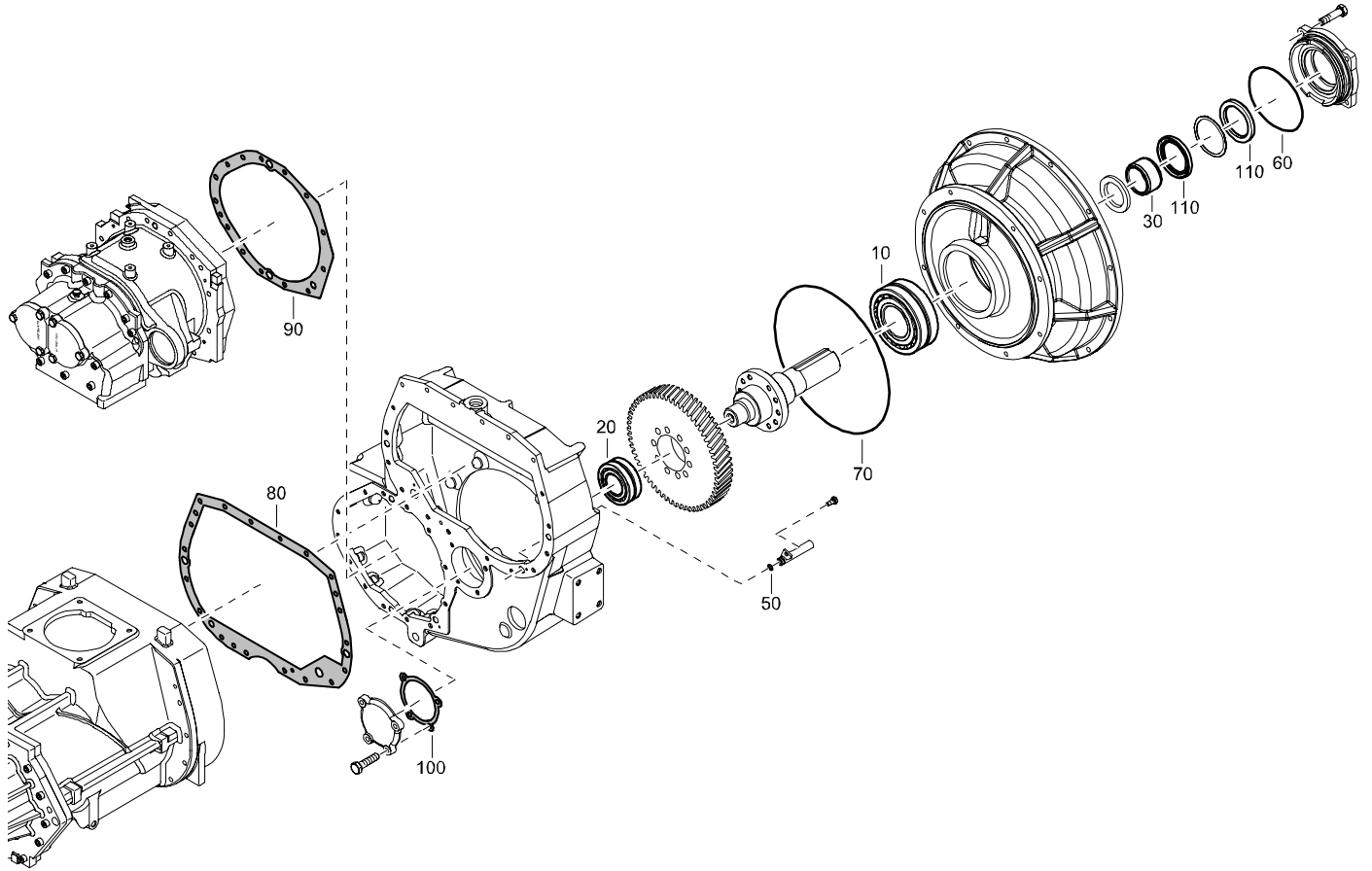
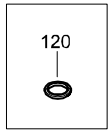
## ELEMENT MOUNTING



REF	PART NUMBER	DESIGNATION	QTY	REF	PART NUMBER	DESIGNATION	QTY
-	2910 4041 00	SERVICE KIT ELEMENT MOUNTING	1				
•10	-	FLAT GASKET	1				
•15	-	FLAT GASKET	1				
•20	-	FLAT GASKET	1				
•30	-	O-RING	2				
•40	-	O-RING	2				
•50	-	O-RING	1				
•60	-	O-RING	2				
•70	-	O-RING	2				
•80	-	GASKET	1				
•90	-	GASKET	1				
•100	-	O-RING	2				

# SERVICE KIT

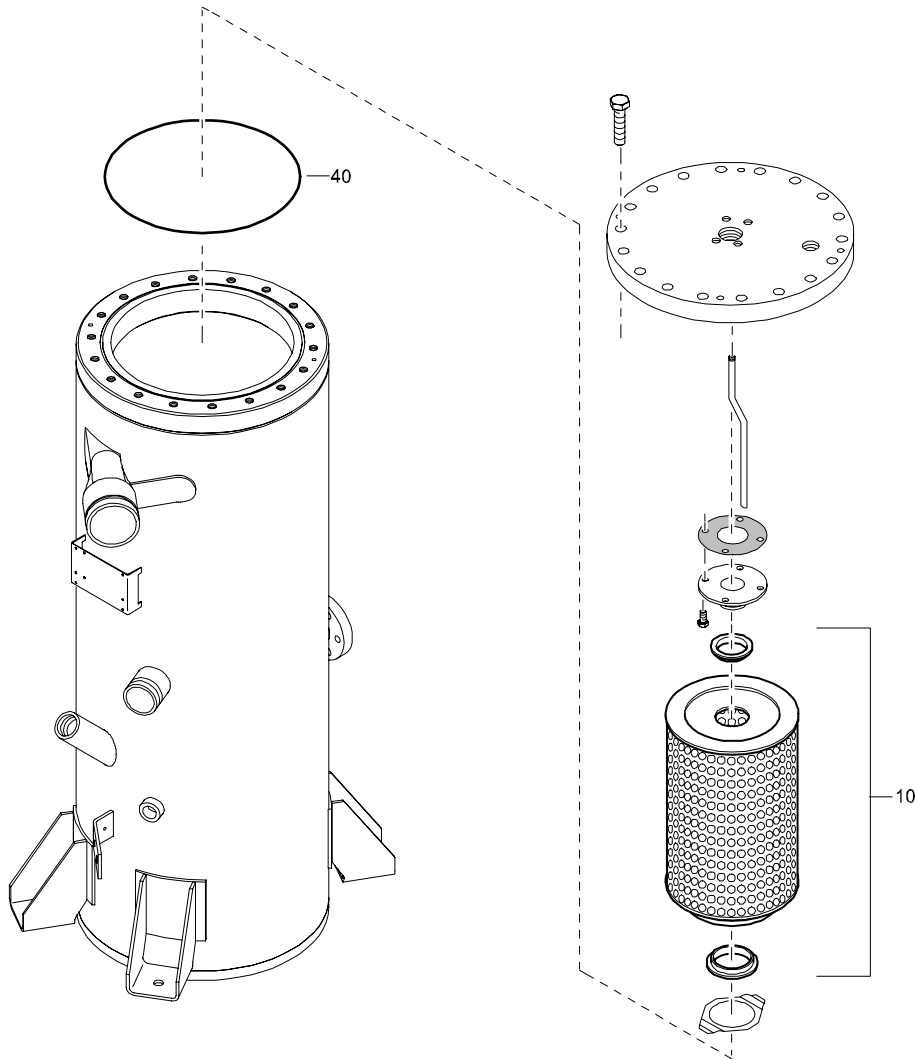
## GEAR CASING



REF	PART NUMBER	DESIGNATION	QTY	REF	PART NUMBER	DESIGNATION	QTY
-	2911 0066 00	SERVICE KIT GEAR CASING	1				
•10	-	BEARING	1				
•20	-	BEARING	1				
•30	-	BUSHING	1				
•40	-	SEALING WASHER	1				
•50	-	O-RING	2				
•60	-	O-RING	1				
•70	-	O-RING	1				
•80	-	GASKET	1				
•90	-	GASKET	1				
•100	-	GASKET	1				
•110	-	SEALING RING	2				

# SERVICE KIT

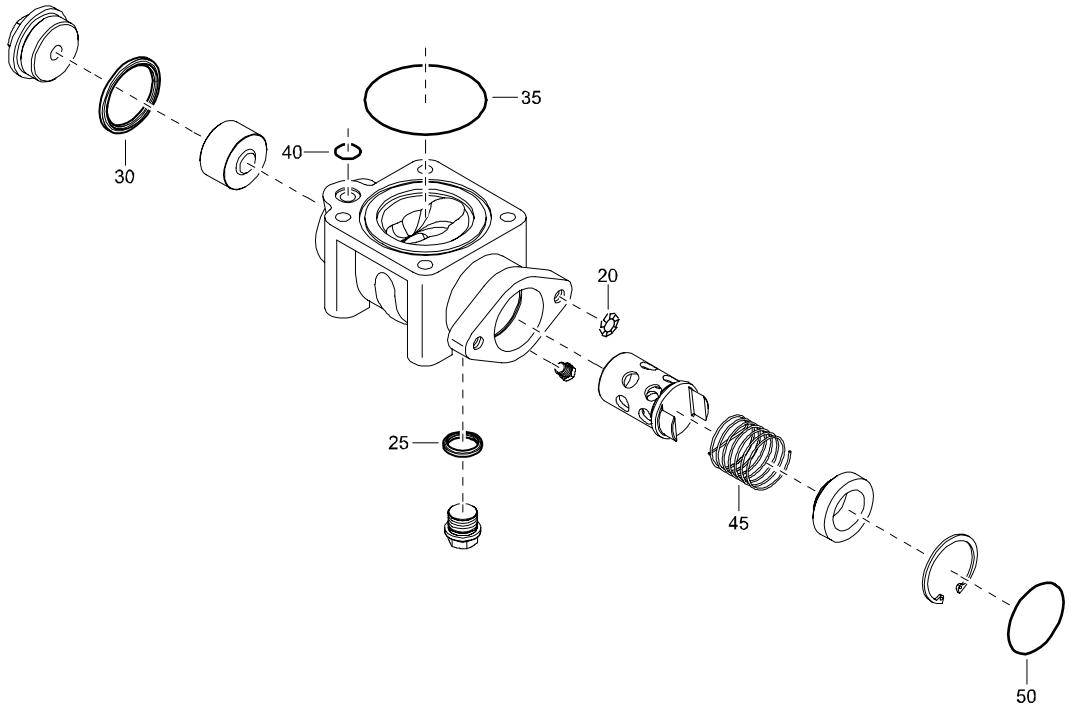
## OIL SEPARATOR



REF	PART NUMBER	DESIGNATION	QTY	REF	PART NUMBER	DESIGNATION	QTY
-	2911 0117 00	SERVICE KIT OIL SEPARATOR					
•10	-	OIL SEP ELEMENT ASS'Y	1				
•40	-	O-RING	1				

# SERVICE KIT

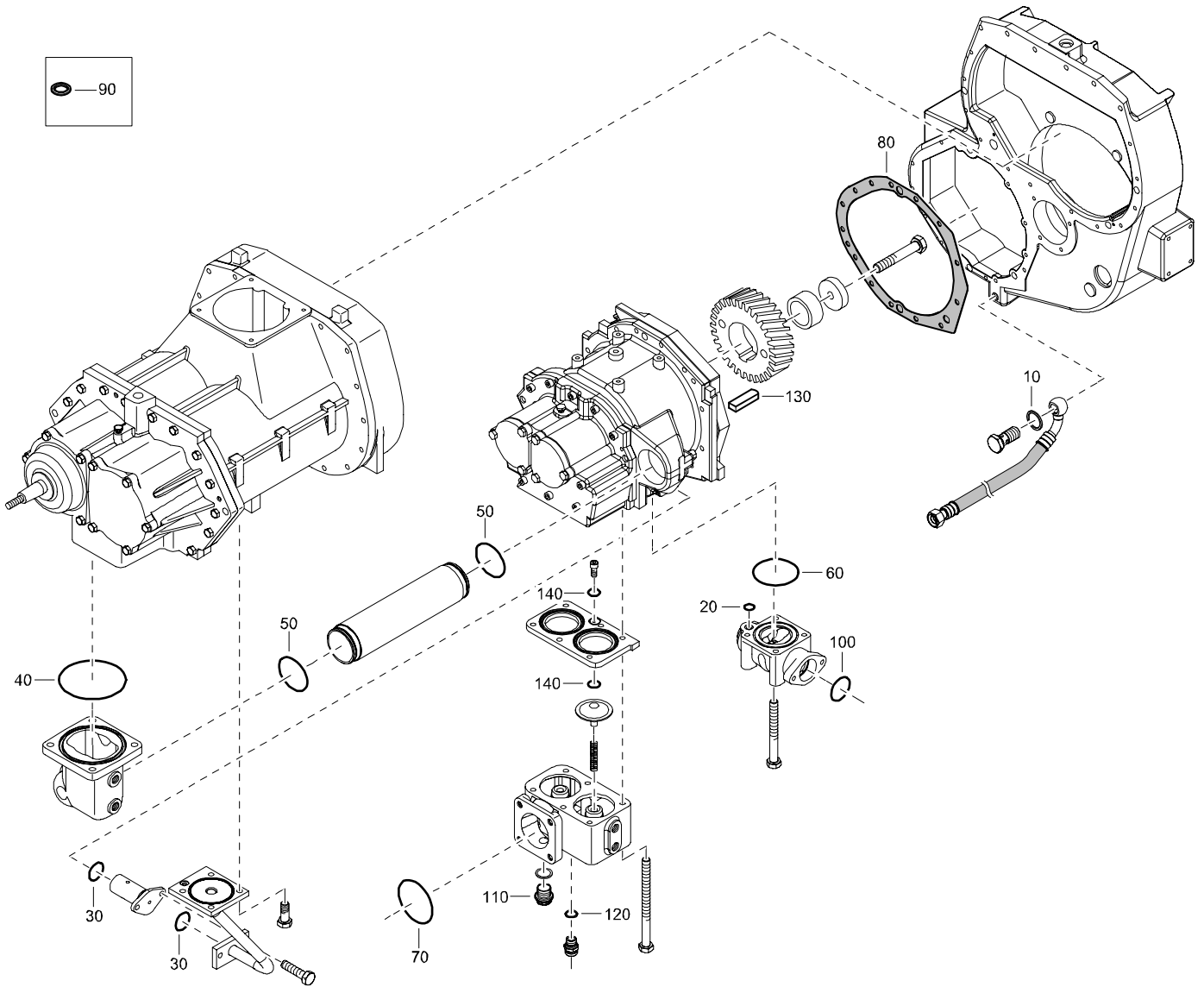
## OIL STOP VALVE



REF	PART NUMBER	DESIGNATION	QTY	REF	PART NUMBER	DESIGNATION	QTY
-	2911 0118 00	SERVICE KIT OIL STOP VALVE					
•20	-	LOCK WASHER	2				
•25	-	SEALING WASHER	1				
•30	-	SEALING WASHER	1				
•35	-	O-RING	1				
•40	-	O-RING	1				
•45	-	COMPR.SPRING	1				
•50	-	O-RING	1				

# SERVICE KIT

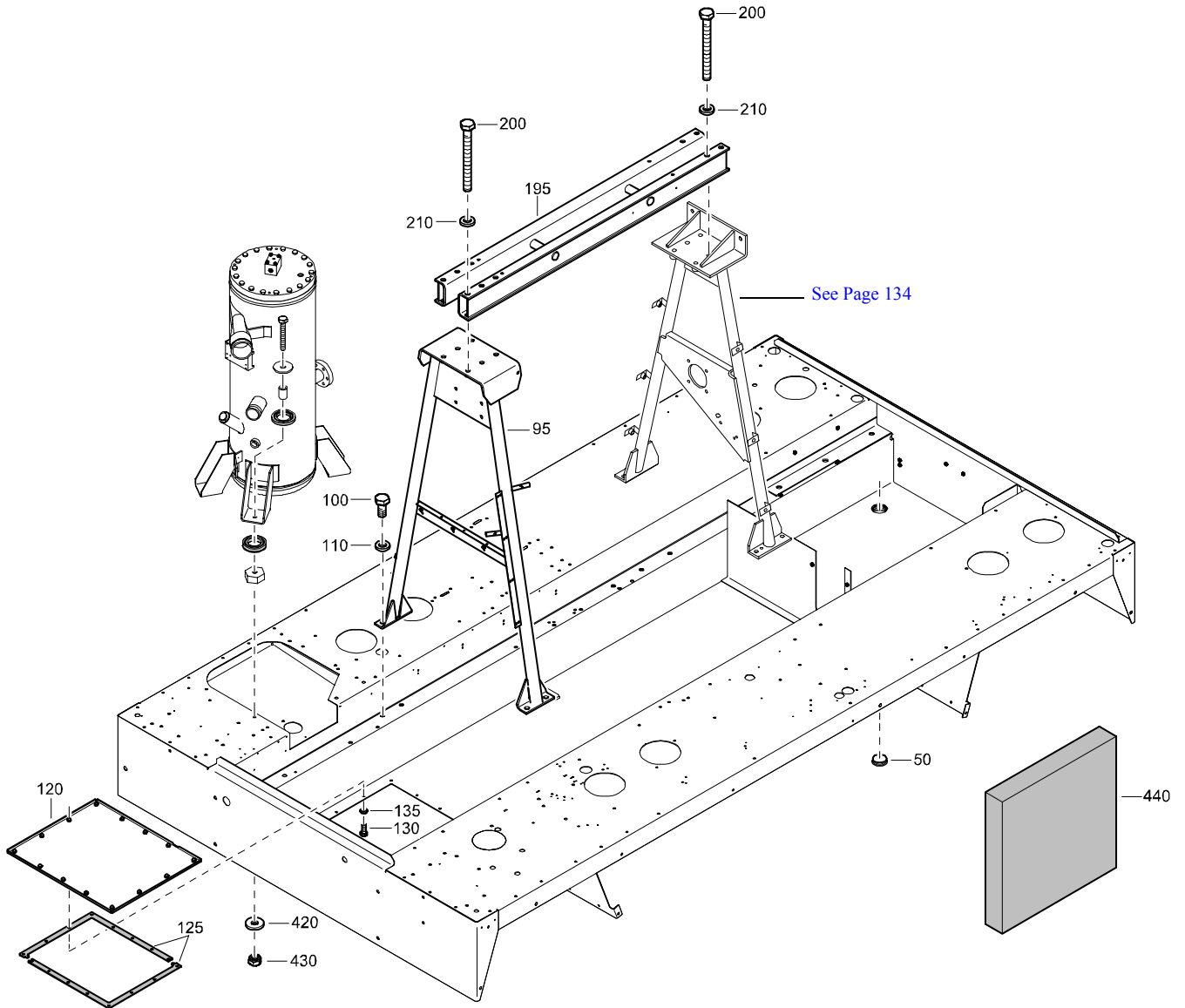
## ELEMENT MOUNTING



REF	PART NUMBER	DESIGNATION	QTY	REF	PART NUMBER	DESIGNATION	QTY
-	2911 0120 00	SERVICE KIT ELEMENT MOUNTING					
•10	-	FLAT GASKET	3				
•20	-	O-RING	1				
•30	-	O-RING	2				
•40	-	O-RING	1				
•50	-	O-RING	2				
•60	-	O-RING	6				
•70	-	O-RING	1				
•80	-	GASKET	1				
•90	-	SEALING WASHER	1				
•100	-	O-RING	1				
•110	-	HEXAGON PLUG	1				
•120	-	FLAT GASKET	2				
•130	-	PARALLEL KEY	1				
•140	-	O-RING	2				

# STANDARD

## FRAME AND MOUNTS

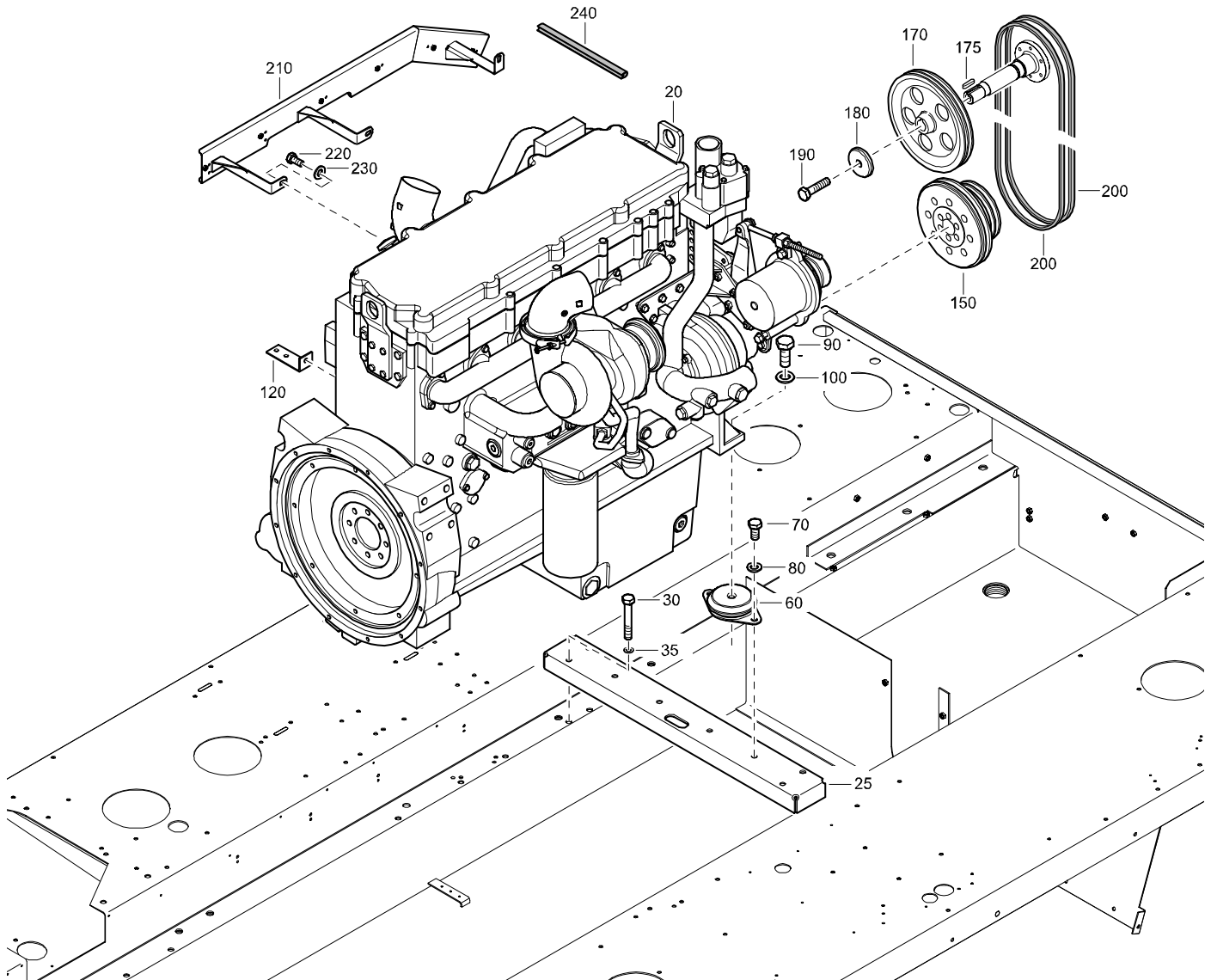


REF	PART NUMBER	DESIGNATION	QTY	REF	PART NUMBER	DESIGNATION	QTY
50	1613 2655 00	PLUG	5				
95	1604 2528 07	SUPPORT	1				
100	0147 1958 96	HEX. HEAD SCREW	4				
110	0302 1274 04	PLAIN WASHER	4				
120	1604 7860 03	COVER	1				
125	1604 8370 02	SEAL	2				
130	0147 1323 03	HEX. HEAD SCREW	14				
135	0301 2335 00	PLAIN WASHER	14				
195	1604 2529 03	BEAM	1				
200	0147 1495 03	HEX. HEAD SCREW	8				
210	0302 1274 04	PLAIN WASHER	8				
420	0300 0274 93	PLAIN WASHER	4				
430	0291 1111 00	LOCKNUT	4				
440	-	SILENCING FOAM (40 mm)	1				

- 1079 0001 91 SILENCING FOAM  
2000 mm x 1500 mm x 40 mm

# STANDARD

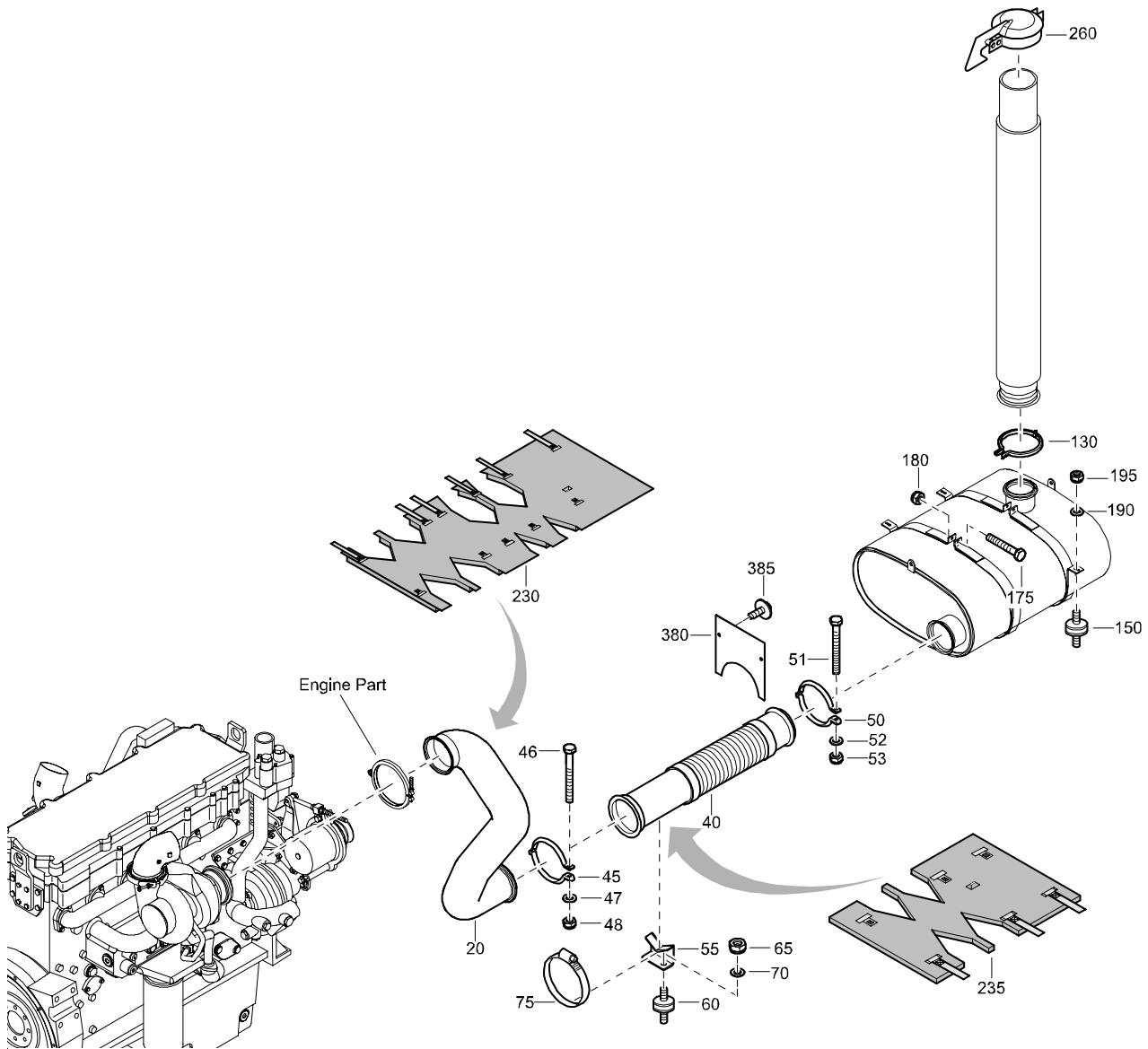
## ENGINE & ACCESSORIES



REF	PART NUMBER	DESIGNATION	QTY	REF	PART NUMBER	DESIGNATION	QTY
20	1604 6796 00	ENGINE	1				
25	1604 3650 01	BEAM	1				
30	0147 1410 03	HEX. HEAD SCREW	4				
35	0301 2358 00	PLAIN WASHER	4				
60	1615 5509 00	RUBBER BUFFER	2				
70	0147 1400 03	HEX. HEAD SCREW	4				
80	0301 2358 00	PLAIN WASHER	4				
90	0147 1477 03	HEX. HEAD SCREW	2				
100	0301 2378 00	PLAIN WASHER	2				
120	1615 5614 00	BRACKET	1				
150	1604 3653 00	PULLEY	1				
170	1615 6428 01	PULLEY	1				
175	0337 8158 00	PARALLEL KEY	1				
180	1615 5441 00	WASHER	1				
190	0147 1404 03	HEX. HEAD SCREW	1				
200	0367 0100 54	V-BELT	2				
210	1626 0077 01	SUPPORT	1				
220	0147 1360 03	HEX. HEAD SCREW	3				
230	0301 2344 00	PLAIN WASHER	3				
240	1503 1056 00	SEAL	AR				

# STANDARD

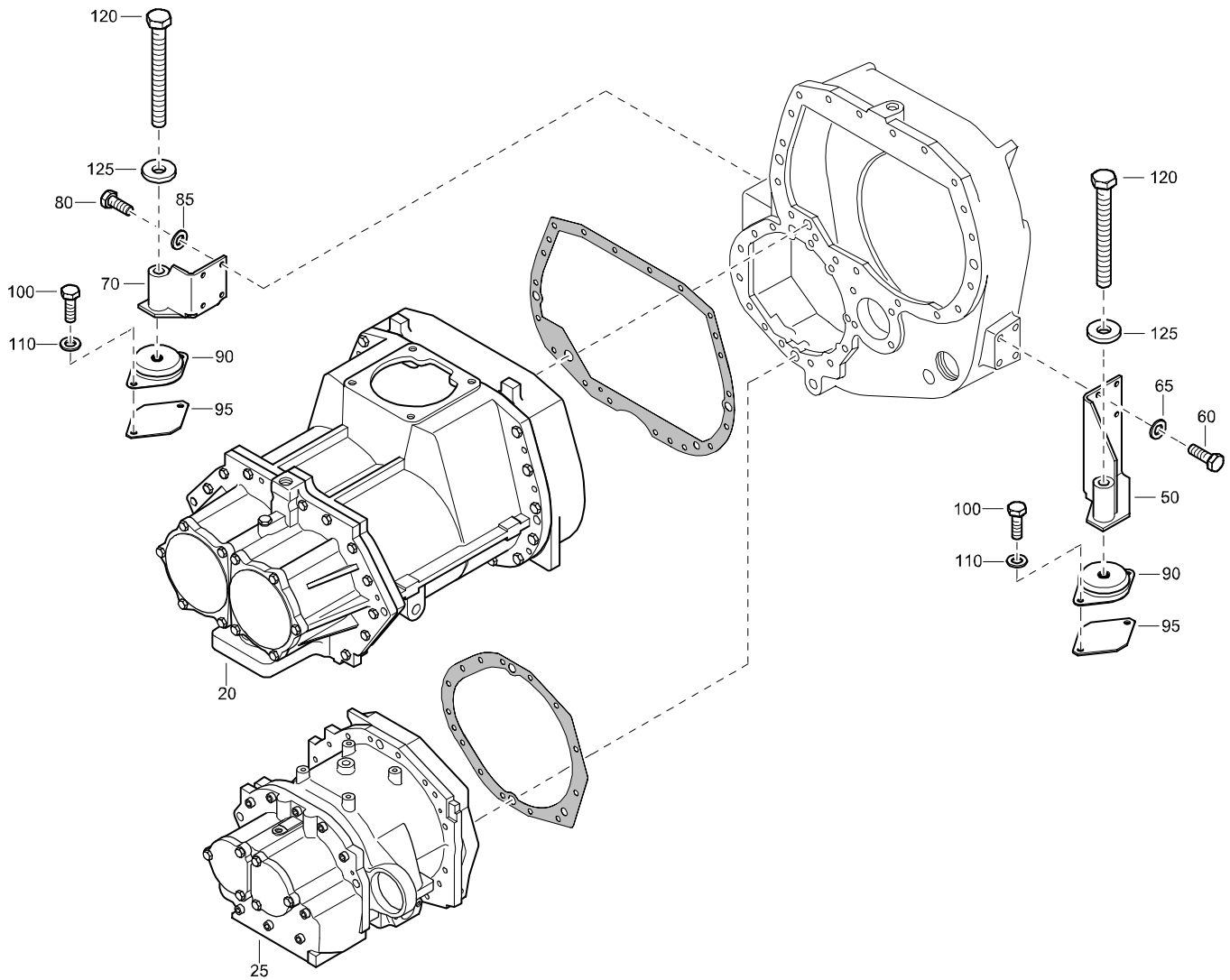
## EXHAUST



REF	PART NUMBER	DESIGNATION	QTY	REF	PART NUMBER	DESIGNATION	QTY
20	1604 7070 01	PIPE	1	195	0291 1185 04	LOCKNUT	4
40	1604 3618 00	EXHAUST PIPE	1	230	1604 7418 01	INSULATION	1
45	1604 2548 00	CLAMP	1	235	1604 7419 01	INSULATION	1
46	0147 1963 95	HEX. HEAD SCREW	1	260	1615 6189 01	EXHAUST COVER	1
47	0301 2335 00	PLAIN WASHER	1	380	1604 2489 00	PLATE	1
48	0291 1185 04	LOCKNUT	1	385	1615 5664 00	HEX. HEAD SCREW	2
50	1604 2548 00	CLAMP	1				
51	0147 1963 95	HEX. HEAD SCREW	1				
52	0301 2335 00	PLAIN WASHER	1				
53	0291 1185 04	LOCKNUT	1				
55	1604 2654 01	SUPPORT	1				
60	1604 0134 00	BUFFER	2				
65	0291 1110 00	LOCKNUT	2				
70	0301 2335 00	PLAIN WASHER	2				
75	0347 6100 15	HOSE CLAMP	1				
130	1604 2548 00	CLAMP	1				
150	1604 0134 00	BUFFER	4				
175	0147 1330 12	HEX. HEAD SCREW	2				
180	0291 1185 04	LOCKNUT	2				
190	0300 8019 00	PLAIN WASHER	4				

# STANDARD

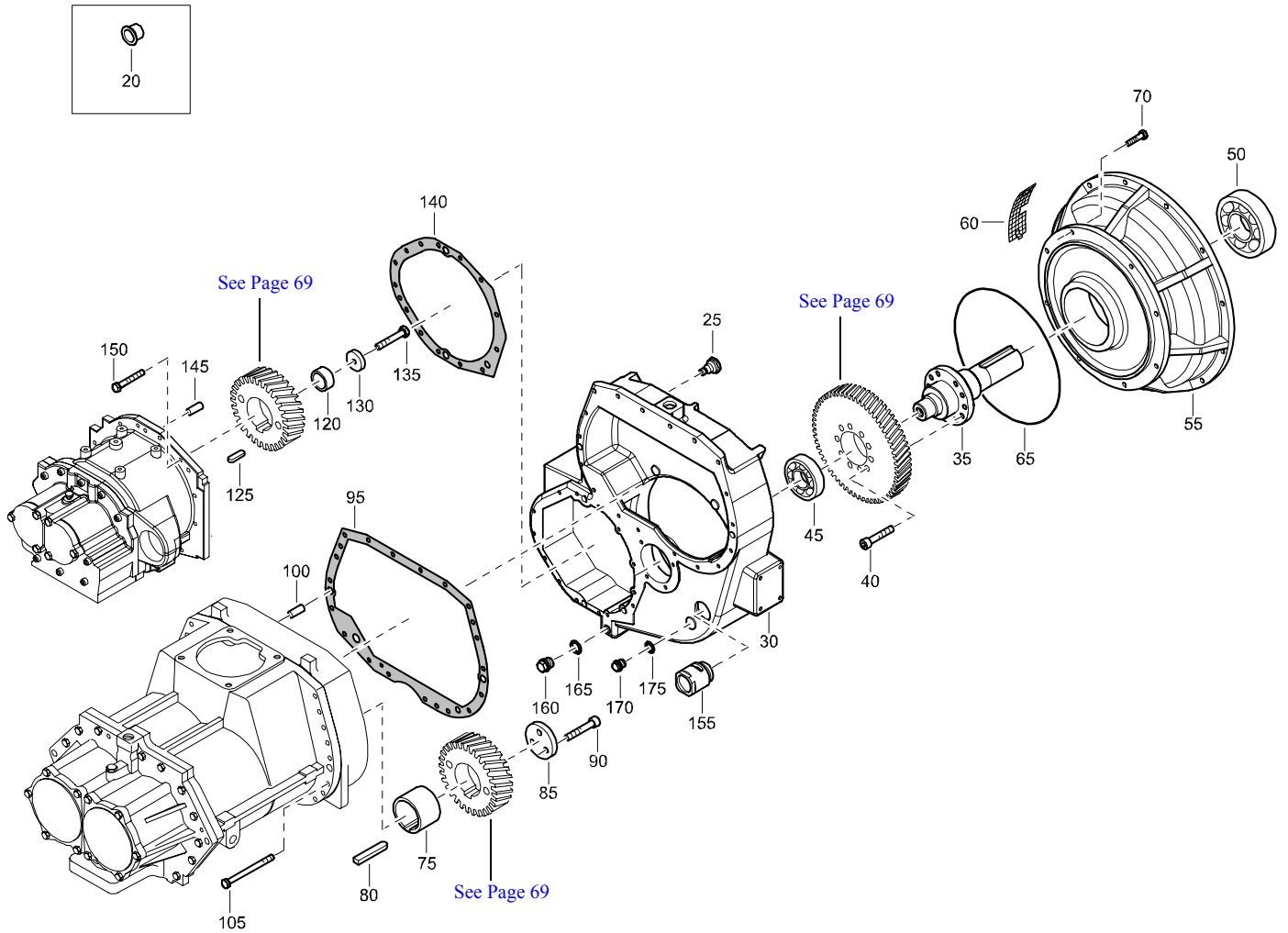
## ELEMENT AND MOUNTS



REF	PART NUMBER	DESIGNATION	QTY	REF	PART NUMBER	DESIGNATION	QTY
20	1616 7257 91	SERVICE STAGE OIS N-02	1				
25	1616 7258 90	SERVICE STAGE O.I.S. J-33	1				
50	1604 2450 00	SUPPORT	1				
60	0147 1401 03	HEX. HEAD SCREW	4				
65	0301 2358 00	PLAIN WASHER	4				
70	1604 2451 00	SUPPORT	1				
80	0147 1401 03	HEX. HEAD SCREW	4				
85	0301 2358 00	PLAIN WASHER	4				
90	1619 5189 01	VIBR. DAMPER	2				
95	1604 2803 00	PLATE	2				
100	0147 1401 03	HEX. HEAD SCREW	4				
110	0301 2358 00	PLAIN WASHER	4				
120	0147 1494 03	HEX. HEAD SCREW	2				
125	0300 0276 23	PLAIN WASHER	2				

# STANDARD

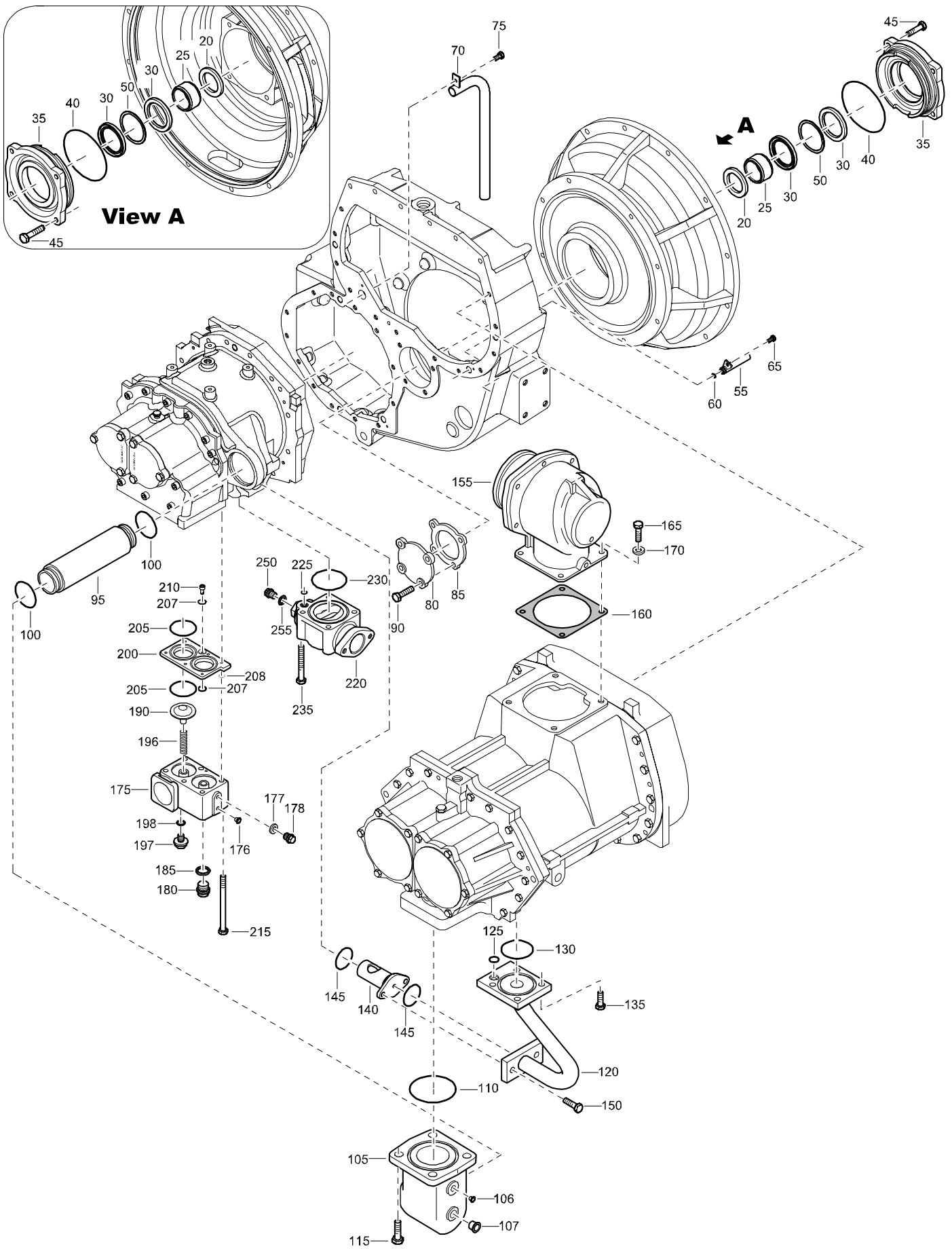
## COMPRESSOR DRIVE



REF	PART NUMBER	DESIGNATION	QTY	REF	PART NUMBER	DESIGNATION	QTY
20	0686 9130 00	PROTECTING PLUG	1	105	0147 1380 03	HEX. HEAD SCREW	18
25	1619 6032 00	NIPPLE	1	120	1604 6368 00	BUSHING	1
30	2252 5483 00	GEAR CASING	1	125	-	PARALLEL KEY	1
35	2252 5484 00	DRIVE SHAFT	1			(Part of service kit, see page 32)	
40	0211 1407 00	HEX SOCK. SCREW	10	130	1613 2197 00	WASHER	1
45	-	SPHERICAL ROLLER BEARING	1	135	0147 1409 03	HEX. HEAD SCREW	1
		(Part of service kit, see page 29)		140	-	GASKET	1
50	-	SPHERICAL ROLLER BEARING	1			(Part of service kit, see page 29, 32)	
		(Part of service kit, see page 29)		145	0101 1626 00	PARALLEL PIN	2
55	1604 2692 02	ADAPTER	1	150	0147 1371 03	HEX. HEAD SCREW	13
60	1604 2693 02	PROTECTION	1	155	2253 2423 80	SAFETY VALVE	1
65	-	O-RING	1	160	0686 3716 02	HEXAGON PLUG	1
		(Part of service kit, see page 28, 29)		165	0661 1033 00	SEALING WASHER	1
70	0147 1365 03	HEX. HEAD SCREW	8	170	0686 3716 30	HEXAGON PLUG	1
75	2254 8831 00	BUSHING	1	175	0661 1026 00	SEALING WASHER	1
80	0337 6074 00	PARALLEL KEY	1				
85	2252 5470 00	WASHER	1				
90	0211 1409 00	HEX SOCK. SCREW	3				
95	1202 7009 00	GASKET	1				
100	0101 1626 00	PARALLEL PIN	2				

# STANDARD

## VALVES ON ELEMENT



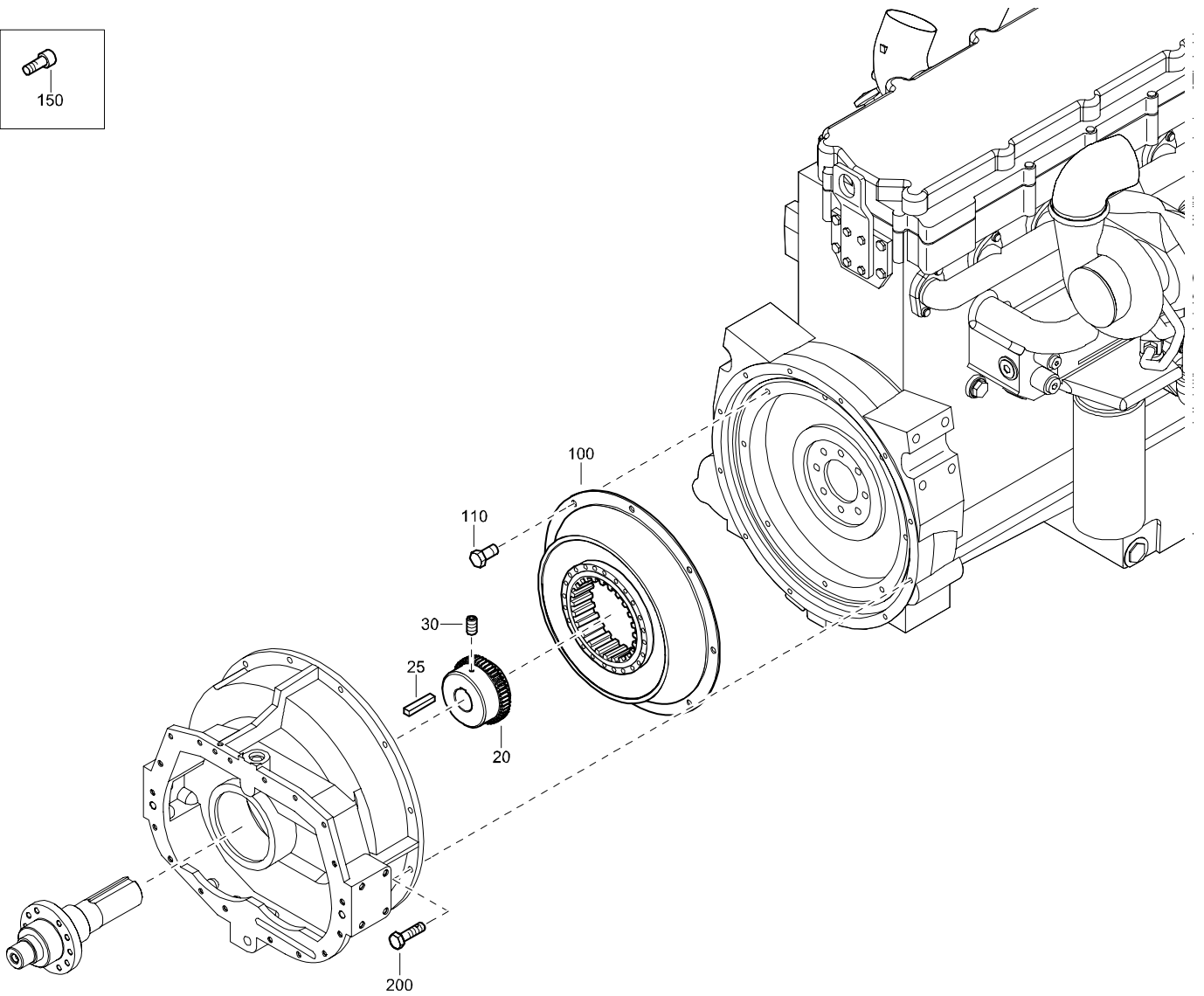
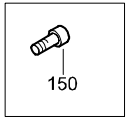
# STANDARD

## VALVES ON ELEMENT

REF	PART NUMBER	DESIGNATION	QTY	REF	PART NUMBER	DESIGNATION	QTY
20	-	WASHER (Part of service kit, see page 29)	1	208	0663 2106 67	O-RING	1
25	-	BUSHING (Part of service kit, see page 29)	1	210	0211 1244 00	HEX SOCK. SCREW	1
30	-	SEALING RING (Part of service kit, see page 29)	2	215	0147 1381 03	HEX. HEAD SCREW	6
35	2252 5479 00	RETAINER	1	220	1604 6109 80	HOUSING (For details see page 120)	1
40	-	O-RING (Part of service kit, see page 29)	1	225	-	O-RING (Part of service kit, see page 32)	1
45	0147 1365 03	HEX. HEAD SCREW	4	230	-	O-RING (Part of service kit, see page 31, 32)	1
50	2254 7604 00	RING	1	235	0147 1375 03	HEX. HEAD SCREW	4
55	1615 8447 00	OIL NOZZLE	2	250	0686 3716 01	HEXAGON PLUG	1
60	-	O-RING (Part of service kit, see page 29)	2	255	0653 1062 00	FLAT GASKET	1
65	0147 1244 03	HEX. HEAD SCREW	2				
70	2252 5492 00	DRAIN PIPE	1				
75	0147 1244 03	HEX. HEAD SCREW	1				
80	2252 5487 00	COVER	1				
85	-	GASKET (Part of service kit, see page 29)	1				
90	0147 1364 03	HEX. HEAD SCREW	4				
95	2252 8450 00	CONNECTION	1				
100	-	O-RING (Part of service kit, see page 28, 32)	2				
105	2252 8449 00	HOUSING	1				
106	0686 9108 00	PROTECTING PLUG	1				
107	0686 9130 00	PROTECTING PLUG	1				
110	-	O-RING (Part of service kit, see page 28, 32)	1				
115	0147 1403 03	HEX. HEAD SCREW	4				
120	2252 9814 00	CONN. TUBE	1				
125	-	O-RING (Part of service kit, see page 28)	1				
130	-	O-RING (Part of service kit, see page 28)	1				
135	0147 1362 03	HEX. HEAD SCREW	4				
140	2252 8934 09	NOZZLE	1				
145	-	O-RING (Part of service kit, see page 28, 32)	2				
150	0147 1364 03	HEX. HEAD SCREW	2				
155	2252 5502 92	UNLOADER ASSY (For details see page 123)	1				
160	-	GASKET (Part of service kit, see page 26, 28)	1				
165	0147 1363 03	HEX. HEAD SCREW	4				
170	0301 2344 00	PLAIN WASHER	4				
175	2252 8455 03	HOUSING	1				
176	0686 9130 00	PROTECTING PLUG	1				
177	0653 1062 00	FLAT GASKET	1				
178	0686 3716 01	HEXAGON PLUG	1				
180	0686 3716 02	HEXAGON PLUG	1				
185	0661 1033 00	SEALING WASHER	1				
190	2253 9671 01	VALVE	2				
196	1604 5831 00	SPRING	2				
197	-	HEXAGON PLUG (Part of service kit, see page 32)	1				
198	0653 1100 00	FLAT GASKET	1				
200	1616 6093 00	VALVE SEAT	1				
205	0663 2106 15	O-RING	4				
207	-	O-RING (Part of service kit, see page 32)	2				

# STANDARD

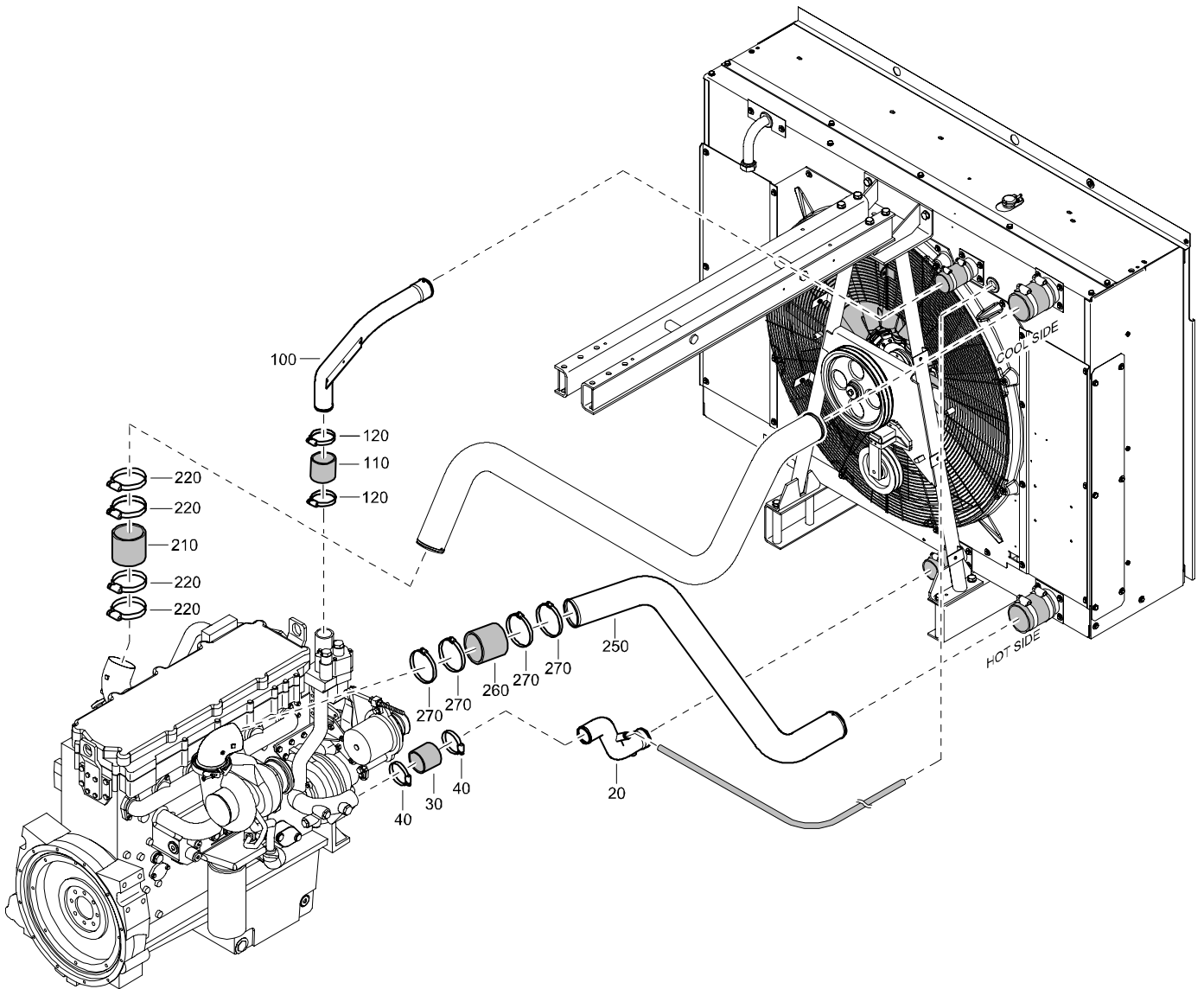
## COUPLING BETWEEN ENGINE & GEAR CASING



REF	PART NUMBER	DESIGNATION	QTY	REF	PART NUMBER	DESIGNATION	QTY
20	1626 0441 00	COUPLING	1				
25	0337 5305 00	PARALLEL KEY	1				
30	0196 1398 00	SET SCREW	1				
100	1626 0442 00	COUPLING	1				
110	0144 3362 00	HEX. HEAD SCREW	8				
150	0211 1401 00	HEX SOCK. SCREW	16				
200	0144 4001 96	HEX. HEAD SCREW	12				

# STANDARD

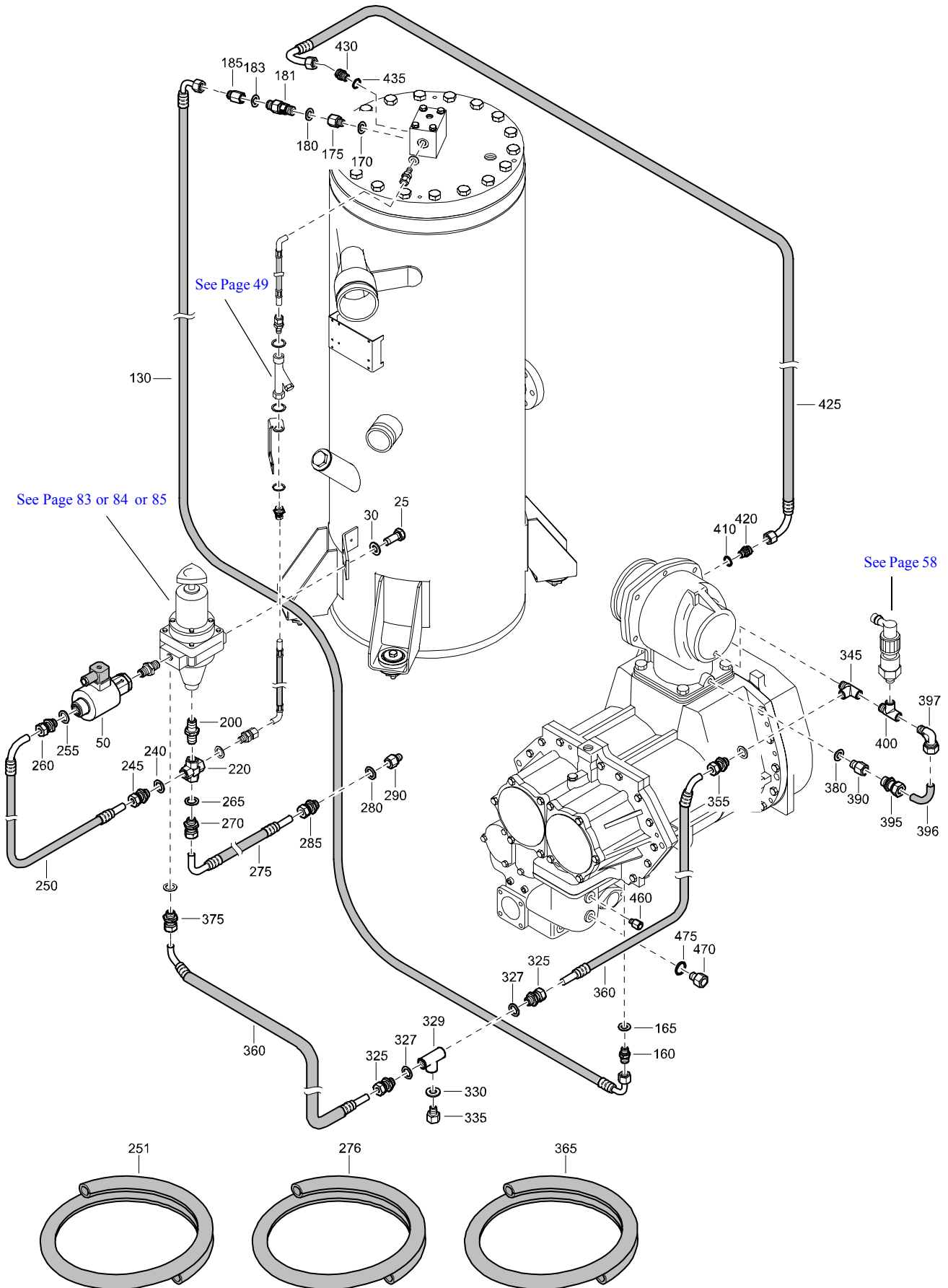
## ENGINE COOLING



REF	PART NUMBER	DESIGNATION	QTY	REF	PART NUMBER	DESIGNATION	QTY
20	1604 7069 00	PIPE	1				
30	1604 5868 00	HOSE	1				
40	0347 6100 21	HOSE CLAMP	2				
100	1604 7068 00	PIPE	1				
110	1604 5868 00	HOSE	1				
120	0347 6100 21	HOSE CLAMP	2				
210	1604 2786 02	HOSE	2				
220	0347 6100 23	HOSE CLAMP	4				
250	1604 7718 01	PIPE	1				
260	1604 2785 00	HOSE	2				
270	0347 6100 23	HOSE CLAMP	4				

# STANDARD

## REGULATING SYSTEM FOR COMPRESSOR WITHOUT FUELXPERT



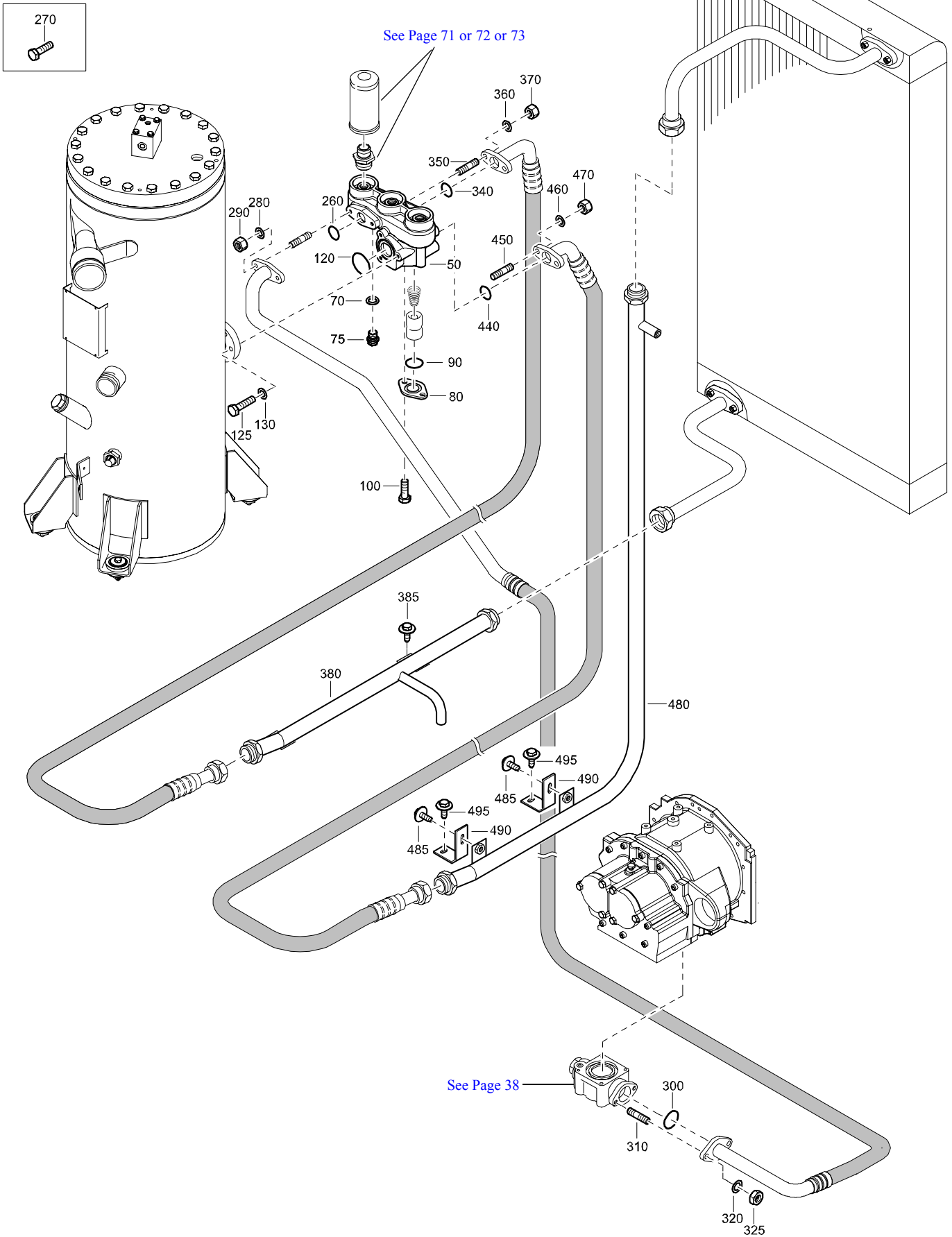
# STANDARD

## REGULATING SYSTEM FOR COMPRESSOR WITHOUT FUELXPRT

REF	PART NUMBER	DESIGNATION	QTY	REF	PART NUMBER	DESIGNATION	QTY
25	0147 1362 03	HEX. HEAD SCREW	2				
30	-	PLAIN WASHER	2				
		(Part of service kit, see page 27)					
50	1089 0451 10	SOLENOID VALVE	1				
130	0575 0791 57	HOSE ASSEMBLY	1				
160	1079 5840 01	HEXAGON NIPPLE	1				
165	-	FLAT GASKET	1				
		(Part of service kit, see page 28)					
170	0653 1062 00	FLAT GASKET	1				
175	1615 9643 00	REDUCER FOR SCAVENGE PIPE	1				
180	0653 1062 00	FLAT GASKET	1				
181	0823 0000 19	NON-RETURN VALVE	1				
183	0653 1062 00	FLAT GASKET	1				
185	0571 0035 14	HEXAGON NIPPLE	1				
200	0603 4102 03	HEXAGON NIPPLE	1				
220	0560 4401 61	CROSS	1				
240	0653 1062 00	FLAT GASKET	1				
245	0581 0028 01	STRAIGHT PIPE COUPLING	1				
250	0575 0102 08	HOSE ASSEMBLY	1				
251	0395 1010 43	INSULATING HOSE	1				
255	0653 1062 00	FLAT GASKET	1				
260	0581 0028 01	STRAIGHT PIPE COUPLING	1				
265	0653 1062 00	FLAT GASKET	1				
270	0581 0028 01	STRAIGHT PIPE COUPLING	1				
275	0575 0102 11	HOSE ASSEMBLY	1				
276	0395 1010 47	INSULATING HOSE	1				
280	0653 1062 00	FLAT GASKET	1				
285	0581 0028 01	STRAIGHT PIPE COUPLING	1				
290	1615 9643 00	REDUCER FOR SCAVENGE PIPE	1				
325	0581 0028 01	STRAIGHT PIPE COUPLING	2				
327	0653 1062 00	FLAT GASKET	2				
329	0564 0000 24	TEE	1				
330	0653 1062 00	FLAT GASKET	1				
335	1615 9643 00	REDUCER FOR SCAVENGE PIPE	1				
345	0560 4401 56	TEE	1				
355	0581 0028 01	STRAIGHT PIPE COUPLING	1				
360	0575 0112 35	HOSE ASSEMBLY	2				
365	0395 1010 57	INSULATING HOSE	1				
375	0581 0028 01	STRAIGHT PIPE COUPLING	1				
380	-	FLAT GASKET	1				
		(Part of service kit, see page 26)					
390	1604 5758 01	ADAPTER	1				
395	0581 0000 67	STRAIGHT PIPE COUPLING	1				
396	0070 6002 10	PLASTIC TUBE	AR				
397	0581 1200 30	ELBOW PIPE COUPLING	1				
400	0560 4401 56	TEE	1				
410	-	FLAT GASKET	1				
		(Part of service kit, see page 26)					
420	1079 5840 35	NIPPLE	1				
425	0575 0403 55	HOSE ASSEMBLY	1				
430	1079 5840 02	HEXAGON NIPPLE	1				
435	0653 1124 00	FLAT GASKET	1				
460	1604 2739 00	NIPPLE	1				
470	3176 2446 00	BUSHING	2				
475	0653 1100 00	FLAT GASKET	2				

# STANDARD

## OIL SYSTEM



---

# STANDARD

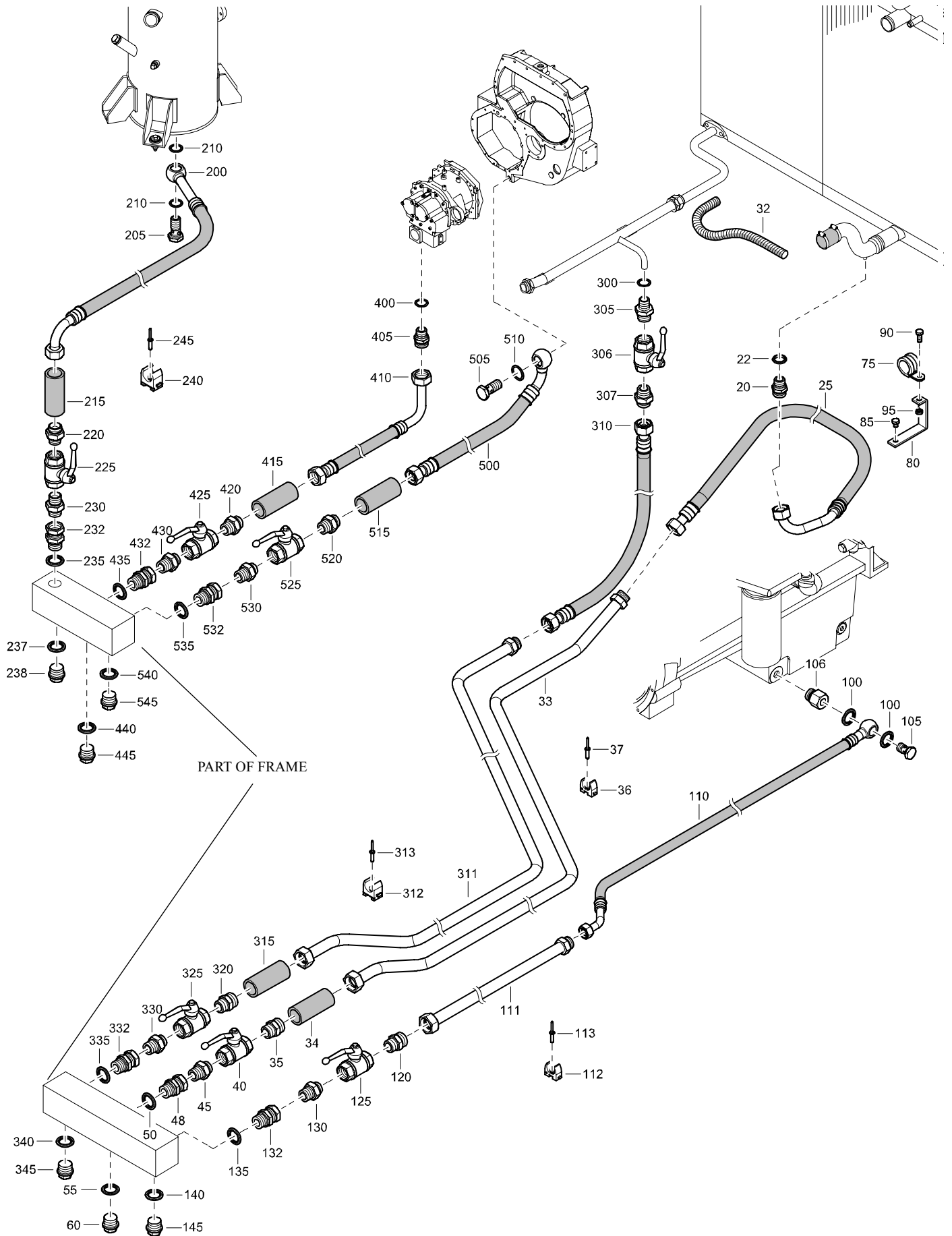
## OIL SYSTEM

---

REF	PART NUMBER	DESIGNATION	QTY	REF	PART NUMBER	DESIGNATION	QTY
50	1615 6398 00	HOUSING	1				
70	0653 1062 00	FLAT GASKET	2				
75	0686 3716 01	HEXAGON PLUG	2				
80	1615 6399 00	FLANGE	1				
90	0663 7134 00	O-RING	1				
100	0147 1363 03	HEX. HEAD SCREW	2				
120	0663 9868 00	O-RING	1				
125	0147 1364 03	HEX. HEAD SCREW	3				
130	0333 3232 00	LOCK WASHER	3				
260	0663 3131 00	O-RING	1				
270	0147 1363 03	HEX. HEAD SCREW	2				
280	0333 3232 00	LOCK WASHER	2				
290	0266 2111 00	HEXAGON NUT	2				
300	-	O-RING	1				
		(Part of service kit, see page 31, 32)					
310	0246 1283 04	STUD	2				
320	-	LOCK WASHER	2				
		(Part of service kit, see page 31)					
325	0266 2112 00	HEXAGON NUT	2				
340	0663 3131 00	O-RING	1				
350	0246 1956 42	STUD	2				
360	0333 3232 00	LOCK WASHER	2				
370	0266 2111 00	HEXAGON NUT	2				
380	1604 2584 01	PIPE	1				
385	1615 5664 00	HEX. HEAD SCREW	2				
440	0663 3131 00	O-RING	1				
450	0246 1956 42	STUD	2				
460	0333 3232 00	LOCK WASHER	2				
470	0266 2111 00	HEXAGON NUT	2				
480	1604 2585 01	PIPE	1				
485	1615 5664 00	HEX. HEAD SCREW	2				
490	1604 3638 00	SUPPORT	2				
495	1615 5664 00	HEX. HEAD SCREW	2				

# STANDARD

## DRAINS



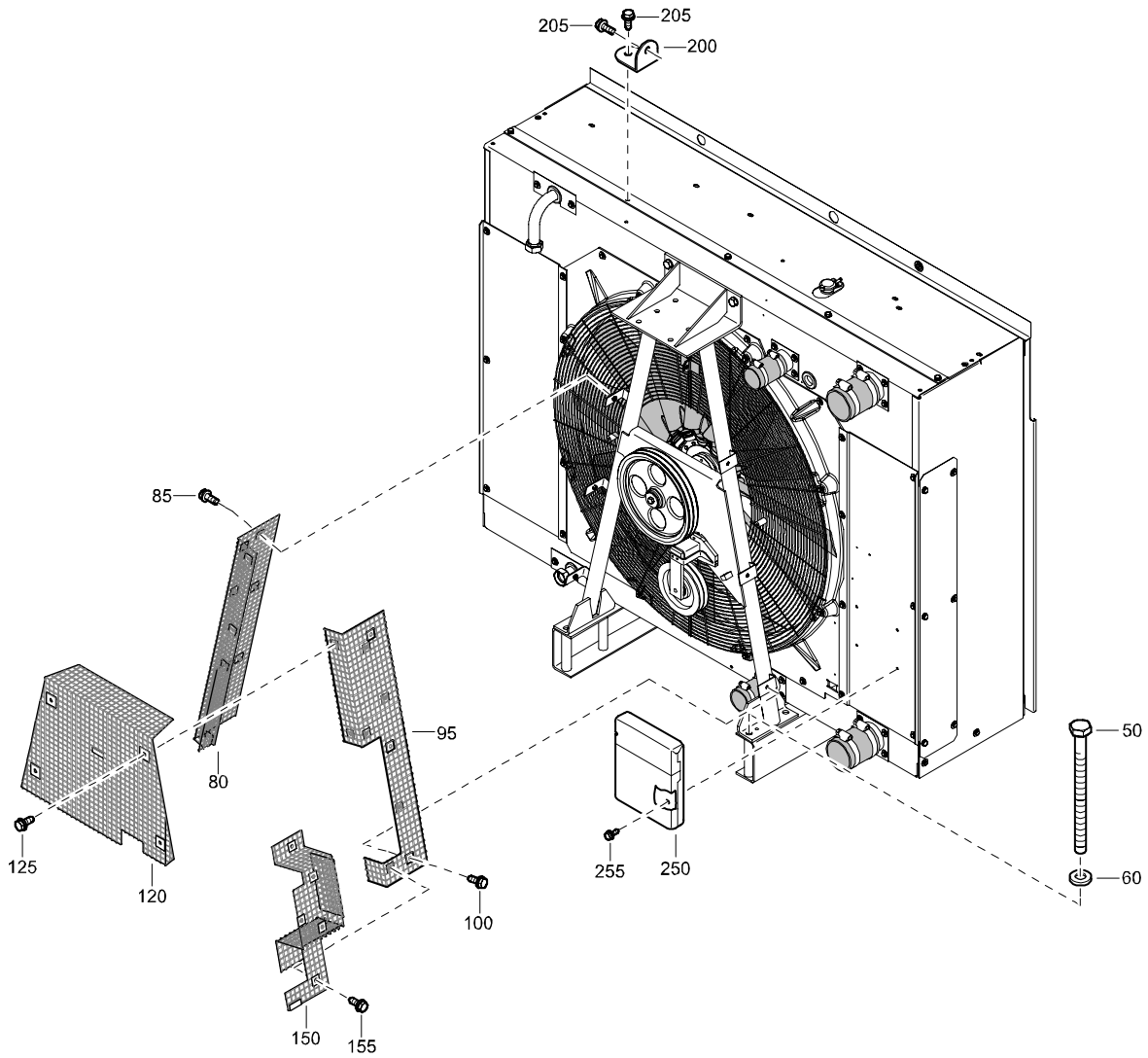
# STANDARD

## DRAINS

REF	PART NUMBER	DESIGNATION	QTY	REF	PART NUMBER	DESIGNATION	QTY
20	1079 5840 15	NIPPLE	1	340	0661 1038 00	SEALING WASHER	1
22	0661 1033 00	SEALING WASHER	1	345	0686 3716 35	HEXAGON PLUG	1
25	1604 8369 00	HOSE	1	400	-	FLAT GASKET	1
32	0070 4022 60	CONDUIT	0,9			(Part of service kit, see page 28)	
33	1604 8278 00	PIPE	1	405	1079 5840 15	NIPPLE	1
34	1088 1501 11	SHRINKING HOSE	AR	410	1604 3583 02	HOSE ASSEMBLY	1
35	0571 0035 53	NIPPLE	1	415	1088 1501 10	SHRINKING HOSE	AR
36	1088 0832 07	CLAMP	2	420	0571 0035 36	HEXAGON NIPPLE	1
37	0129 3110 00	BLIND RIVET	2	425	1619 6153 05	BALL VALVE	1
40	1619 6153 05	BALL VALVE	1	430	0571 0035 52	HEXAGON NIPPLE	1
45	0571 0035 52	HEXAGON NIPPLE	1	432	1604 3383 00	HEXAGON NIPPLE	1
48	1604 3383 00	HEXAGON NIPPLE	1	435	0661 1038 00	SEALING WASHER	1
50	0661 1038 00	SEALING WASHER	1	440	0661 1038 00	SEALING WASHER	1
55	0661 1038 00	SEALING WASHER	1	445	0686 3716 35	HEXAGON PLUG	1
60	0686 3716 35	HEXAGON PLUG	1	500	1604 9472 01	HOSE	1
75	0346 1002 10	PIPE CLAMP	1	505	0627 5100 05	PRESSURE SCREW	1
80	1604 4330 00	BRACKET	1	510	-	FLAT GASKET	1
85	0147 1319 03	HEX. HEAD SCREW	1			(Part of service kit, see page 28)	
90	0147 1322 03	HEX. HEAD SCREW	1	515	1088 1501 10	SHRINKING HOSE	AR
95	0261 1110 00	HEXAGON NUT	1	520	0571 0035 36	HEXAGON NIPPLE	1
100	0661 1038 00	SEALING WASHER	2	525	1619 6153 05	BALL VALVE	1
105	0627 4200 07	PRESSURE SCREW	1	530	0571 0035 52	HEXAGON NIPPLE	1
106	1615 9099 02	NIPPLE	1	532	1604 3383 00	HEXAGON NIPPLE	1
110	1604 8367 00	HOSE	1	535	0661 1038 00	SEALING WASHER	1
111	1604 8276 00	PIPE	1	540	0661 1038 00	SEALING WASHER	1
112	1088 0832 07	CLAMP	1	545	0686 3716 35	HEXAGON PLUG	1
113	0129 3110 00	BLIND RIVET	1				
120	0571 0035 53	NIPPLE	1				
125	1619 6153 05	BALL VALVE	1				
130	0571 0035 52	HEXAGON NIPPLE	1				
132	1604 3383 00	HEXAGON NIPPLE	1				
135	0661 1038 00	SEALING WASHER	1				
140	0661 1038 00	SEALING WASHER	1				
145	0686 3716 35	HEXAGON PLUG	1				
200	1604 9471 00	HOSE	1				
205	0627 5100 05	PRESSURE SCREW	1				
210	0653 1124 00	FLAT GASKET	2				
215	1088 1501 10	SHRINKING HOSE	AR				
220	0571 0035 36	HEXAGON NIPPLE	1				
225	1619 6153 05	BALL VALVE	1				
230	0571 0035 52	HEXAGON NIPPLE	1				
232	1604 3383 00	HEXAGON NIPPLE	1				
235	0661 1038 00	SEALING WASHER	1				
237	0661 1038 00	SEALING WASHER	1				
238	0686 3716 35	HEXAGON PLUG	1				
240	1088 0832 04	CABLE CLAMP	2				
245	0129 3110 00	BLIND RIVET	3				
300	0653 1124 00	FLAT GASKET	1				
305	0603 5110 00	HEXAGON NIPPLE	1				
306	1619 6153 05	BALL VALVE	1				
307	0571 0035 36	HEXAGON NIPPLE	1				
310	1604 8368 00	HOSE	1				
311	1604 8277 00	PIPE	1				
312	1088 0832 07	CLAMP	1				
313	0129 3110 00	BLIND RIVET	1				
315	1088 1501 10	SHRINKING HOSE	AR				
320	0571 0035 53	NIPPLE	1				
325	1619 6153 05	BALL VALVE	1				
330	0571 0035 52	HEXAGON NIPPLE	1				
332	1604 3383 00	HEXAGON NIPPLE	1				
335	0661 1038 00	SEALING WASHER	1				

# STANDARD

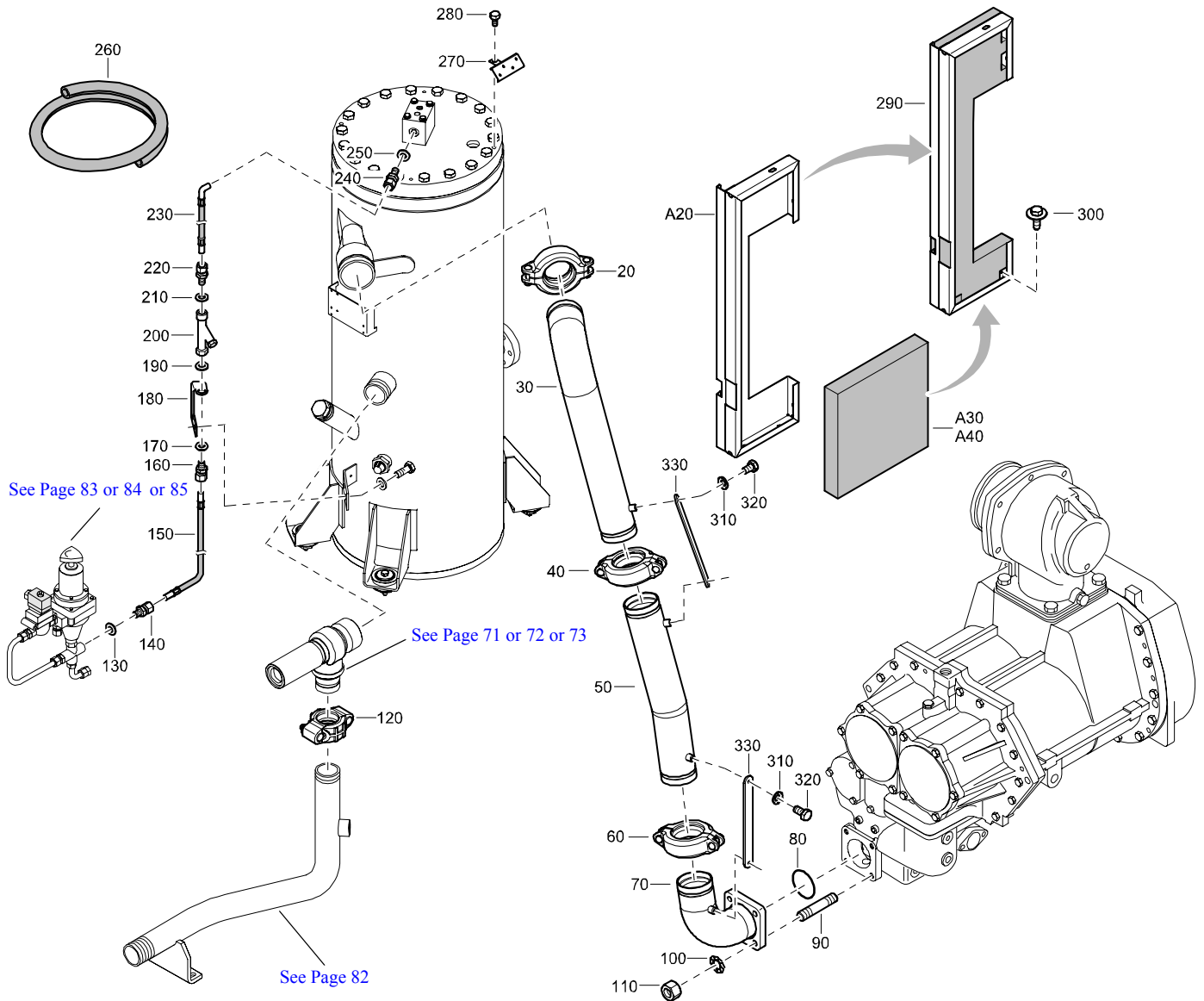
## COOLER & FAN



REF	PART NUMBER	DESIGNATION	QTY	REF	PART NUMBER	DESIGNATION	QTY
50	0147 1499 03	HEX. HEAD SCREW	6				
60	0301 2378 00	PLAIN WASHER	6				
80	1604 9925 00	GUARD	1				
85	1615 5664 00	HEX. HEAD SCREW	3				
95	1604 4244 02	BELT GUARD	1				
100	1615 5664 00	HEX. HEAD SCREW	3				
120	1604 2645 03	BELT GUARD	1				
125	1615 5664 00	HEX. HEAD SCREW	4				
150	1604 4243 03	GRATING	1				
155	1615 5664 00	HEX. HEAD SCREW	3				
200	2252 2333 00	BRACKET	2				
205	1615 5664 00	HEX. HEAD SCREW	4				
250	1604 2206 00	HOLDER (DOCUMENT)	1				
255	1619 5898 01	HEX. HEAD SCREW	4				

# STANDARD

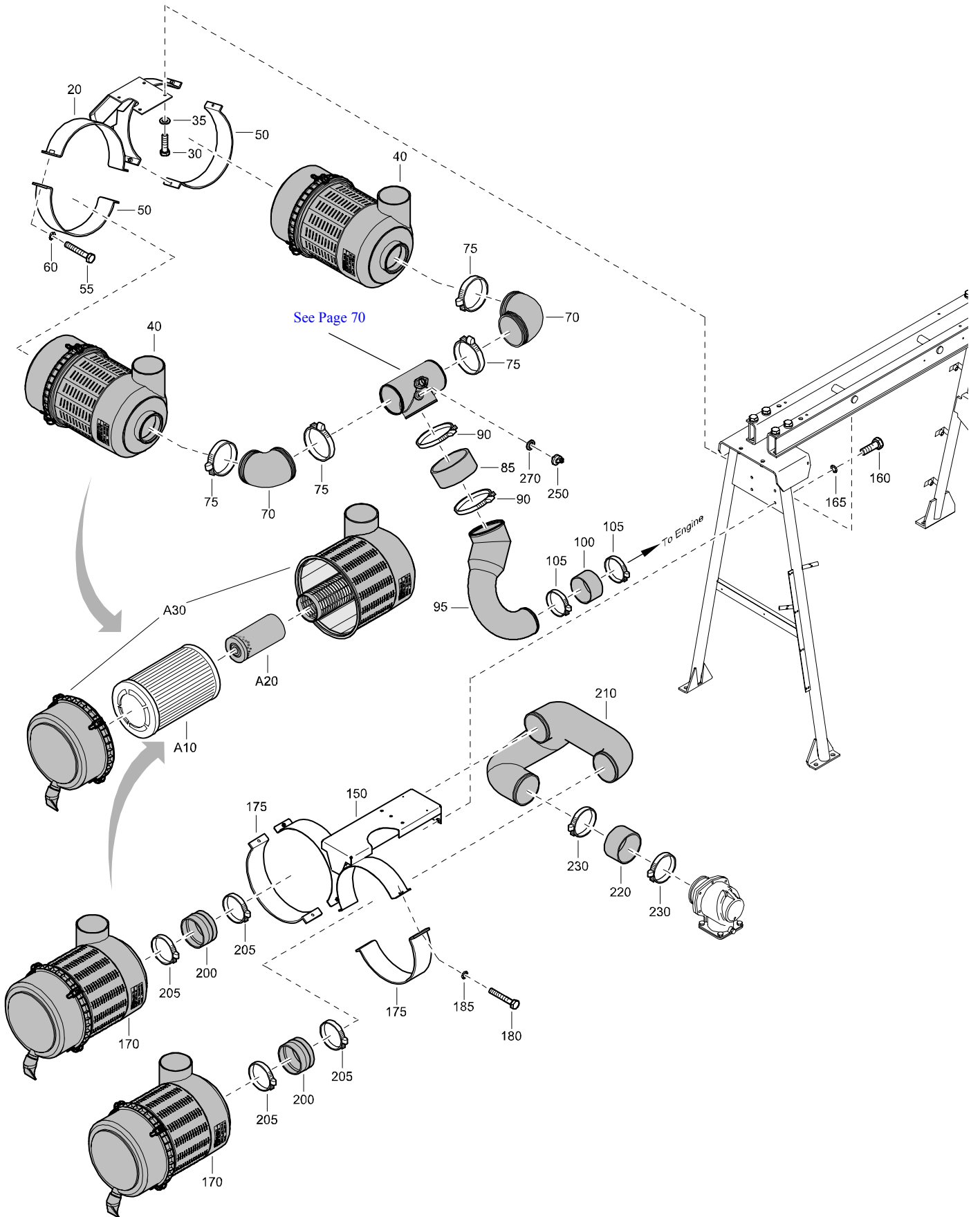
## AIR OUTLET



REF	PART NUMBER	DESIGNATION	QTY	REF	PART NUMBER	DESIGNATION	QTY
20	0634 1000 60	PIPE COUPLING	1	220	0581 0034 01	STRAIGHT PIPE COUPLING	1
30	1604 9486 02	PIPE	1	230	0575 0102 40	HOSE ASSEMBLY	1
40	0634 1000 60	PIPE COUPLING	1	240	0581 0028 01	STRAIGHT PIPE COUPLING	1
50	1604 9485 02	PIPE	1	250	0653 1062 00	FLAT GASKET	1
60	0634 1000 60	PIPE COUPLING	1	260	0395 1010 45	INSULATING HOSE	1
70	1604 9484 02	PIPE	1	270	1604 3381 00	SUPPORT	1
80	-	O-RING	1	280	0147 1362 03	HEX. HEAD SCREW	1
		(Part of service kit, see page 32)		290	1604 2550 84	PANEL ASSY	1
90	0246 1287 04	STUD	4	•A20	1604 2550 03	PLATE	1
100	0333 5200 09	LOCK WASHER	4	•A30	-	SILENCING FOAM (50 mm)	1
110	0266 2112 00	HEXAGON NUT	4	•A40	-	SILENCING FOAM (40 mm)	1
120	0634 1000 59	PIPE COUPLING	1	300	1615 5664 00	HEX. HEAD SCREW	5
130	0653 1062 00	FLAT GASKET	1	310	1088 0019 01	CONTACT WASHER	4
140	0581 0028 01	STRAIGHT PIPE COUPLING	1	320	0147 1320 03	HEX. HEAD SCREW	4
150	0575 0012 04	HOSE ASSEMBLY	1	330	1089 9562 06	EARTHING STRAP	2
160	0581 0034 01	STRAIGHT PIPE COUPLING	1				
170	0653 1124 00	FLAT GASKET	1	-	1079 0001 91	SILENCING FOAM	
180	1604 6743 00	BRACKET	1			2000 mm x 1500 mm x 40 mm	
190	0653 1124 00	FLAT GASKET	1	-	1079 0003 33	SILENCING FOAM	
200	0803 5010 10	STRAINER	1			2000 mm x 1500 mm x 50 mm	
210	0653 1124 00	FLAT GASKET	1				

# STANDARD

## AIR INLET



---

# STANDARD

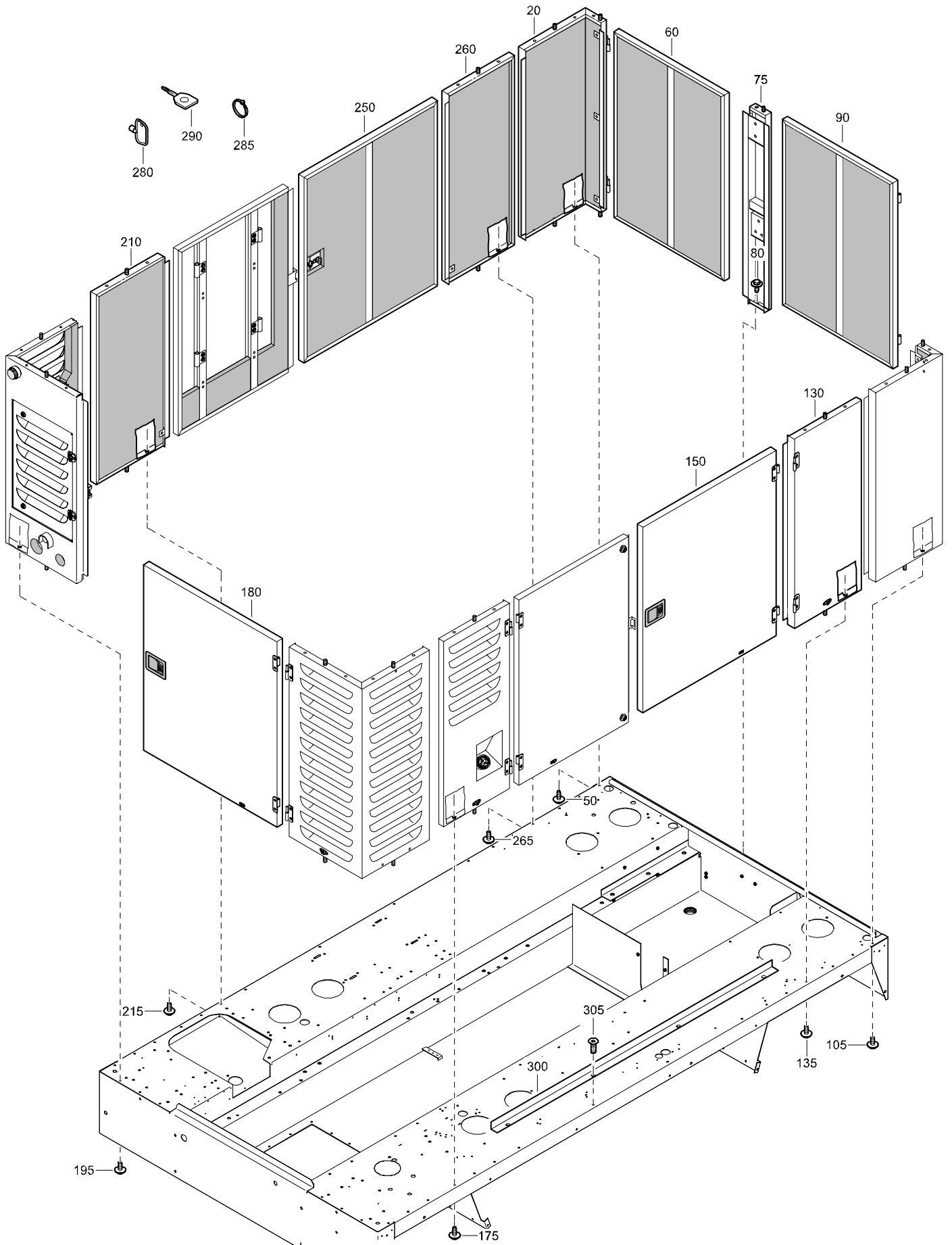
## AIR INLET

---

REF	PART NUMBER	DESIGNATION	QTY	REF	PART NUMBER	DESIGNATION	QTY
20	1604 2512 01	BRACKET	1				
30	0147 1326 03	HEX. HEAD SCREW	4				
35	0301 2335 00	PLAIN WASHER	4				
40	1604 0120 01	AIR FILTER	2				
•A10	2914 5017 00	AIR FILTER ELEMENT	1				
•A20	2914 5018 00	AIR FILTER SAFETY CARTRIDGE	1				
•A30	2914 8662 00	COVER AIR FILTER	1				
50	1604 0128 00	CLAMP (AIRFILTER)	2				
55	0147 1330 12	HEX. HEAD SCREW	4				
60	0333 3227 00	LOCK WASHER	4				
70	1604 2356 00	HUMP HOSE	2				
75	0347 6121 00	HOSE CLAMP	4				
85	1615 5409 00	HOSE	1				
90	0347 6122 00	HOSE CLAMP	2				
95	1604 7071 00	PIPE	1				
100	1604 4789 00	HOSE	1				
105	0347 6100 15	HOSE CLAMP	2				
150	1604 2804 04	SUPPORT	1				
160	0147 1363 03	HEX. HEAD SCREW	4				
165	0333 3232 00	LOCK WASHER	4				
170	1604 0120 01	AIR FILTER	2				
•A10	2914 5017 00	AIR FILTER ELEMENT	1				
•A20	2914 5018 00	AIR FILTER SAFETY CARTRIDGE	1				
•A30	2914 8662 00	COVER AIR FILTER	1				
175	1604 0128 00	CLAMP (AIRFILTER)	1				
180	0147 1330 12	HEX. HEAD SCREW	4				
185	0333 3227 00	LOCK WASHER	4				
200	1604 9936 00	HUMP HOSE	2				
205	0347 6121 00	HOSE CLAMP	4				
210	1604 2514 02	AIR DUCT	1				
220	1615 5409 00	HOSE	1				
230	0347 6122 00	HOSE CLAMP	2				
250	1089 0607 08	WARNING SWITCH	1				
270	0653 1046 00	FLAT GASKET	1				

# STANDARD

## OUTER CANOPY



---

# STANDARD

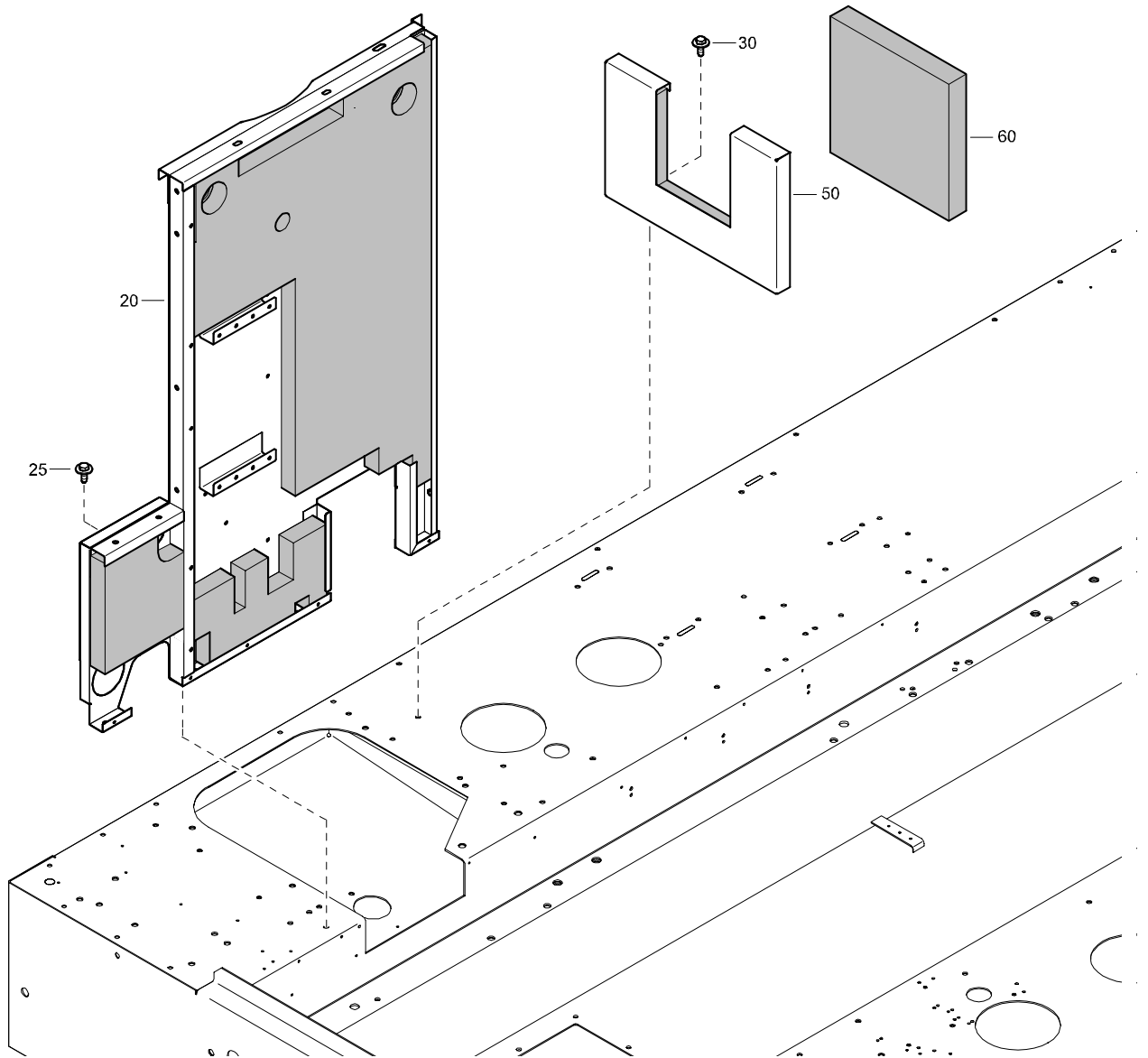
## OUTER CANOPY

---

REF	PART NUMBER	DESIGNATION	QTY	REF	PART NUMBER	DESIGNATION	QTY
20	1604 2465 85	PANEL <a href="#">(For details see page 100)</a>	1				
50	1615 5664 00	HEX. HEAD SCREW	3				
60	1604 2487 84	DOOR ASSY <a href="#">(For details see page 104)</a>	1				
75	1604 3716 81	PANEL ASSY <a href="#">(For details see page 114)</a>	1				
80	1615 5664 00	HEX. HEAD SCREW	2				
90	1604 2487 85	DOOR ASSY <a href="#">(For details see page 105)</a>	1				
105	1615 5664 00	HEX. HEAD SCREW	3				
130	1604 2460 84	PANEL ASSY <a href="#">(For details see page 98)</a>	1				
135	1615 5664 00	HEX. HEAD SCREW	2				
150	1604 2456 81	DOOR ASSY <a href="#">(For details see page 96)</a>	1				
175	1615 5664 00	HEX. HEAD SCREW	2				
180	1604 2456 81	DOOR ASSY <a href="#">(For details see page 96)</a>	1				
195	1615 5664 00	HEX. HEAD SCREW	6				
210	1604 2460 83	PANEL ASSY <a href="#">(For details see page 97)</a>	1				
215	1615 5664 00	HEX. HEAD SCREW	2				
250	1604 2456 80	DOOR ASSY <a href="#">(For details see page 95)</a>	1				
260	1604 2460 85	PANEL ASSY <a href="#">(For details see page 99)</a>	1				
265	1615 5664 00	HEX. HEAD SCREW	2				
280	1604 2500 00	KEY	2				
285	1088 1301 03	CABLE STRIP	2				
290	1615 7271 00	KEY	2				
300	1604 3562 01	BRACKET	2				
305	0216 1324 03	HEX SOCK. SCREW	8				

# STANDARD

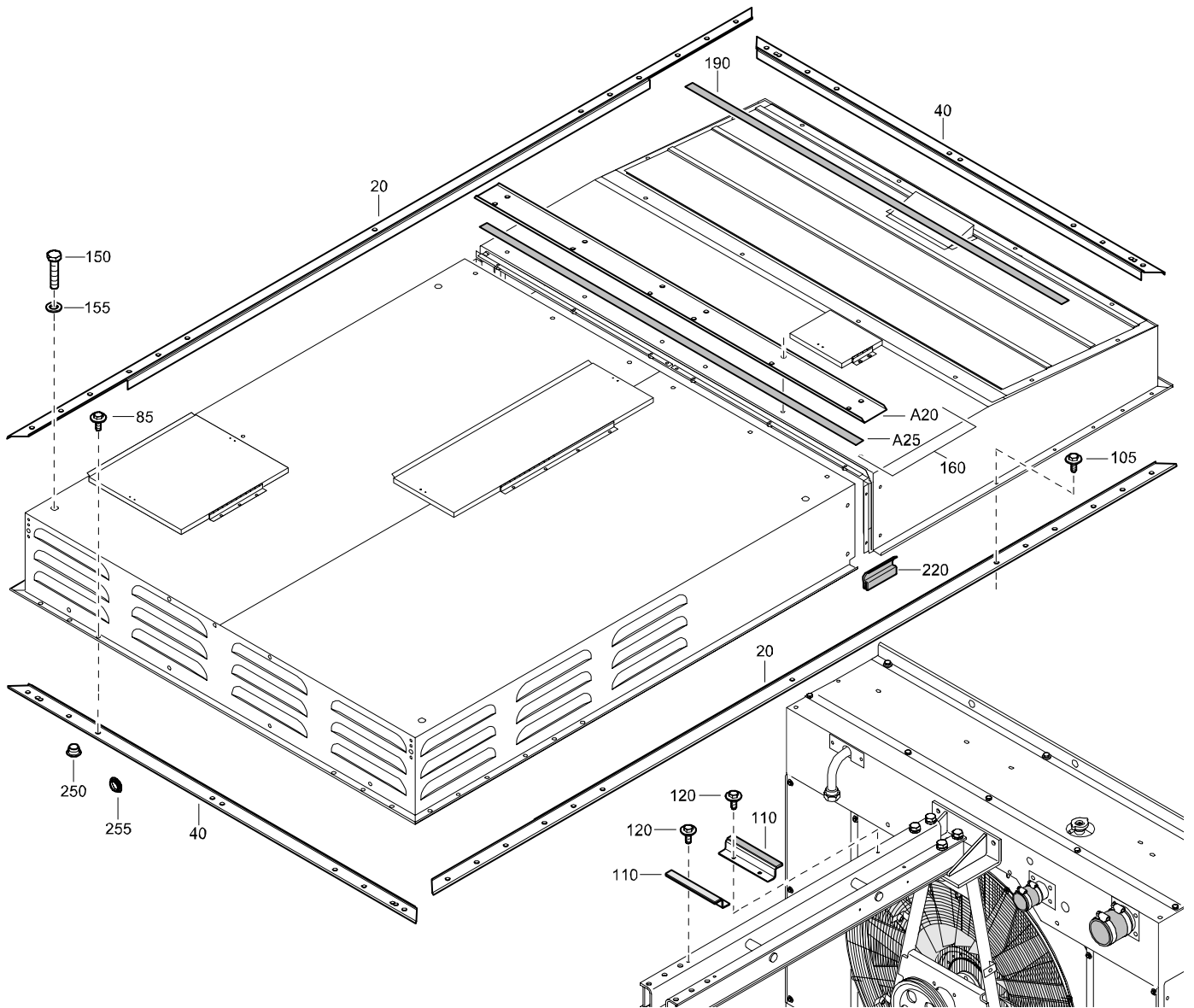
## INNER CANOPY



REF	PART NUMBER	DESIGNATION	QTY	REF	PART NUMBER	DESIGNATION	QTY
20	1604 7739 82	PANEL <a href="#">(For details see page 121)</a>	1				
25	1615 5664 00	HEX. HEAD SCREW	4				
30	1615 5664 00	HEX. HEAD SCREW	3				
50	1604 2543 83	PANEL <a href="#">(For details see page 110)</a>	1				
60	-	SILENCING FOAM (40 mm)	1				
-	1079 0001 91	SILENCING FOAM 2000 mm x 1500 mm x 40 mm					

# STANDARD

## BEAMS AND SUPPORTS



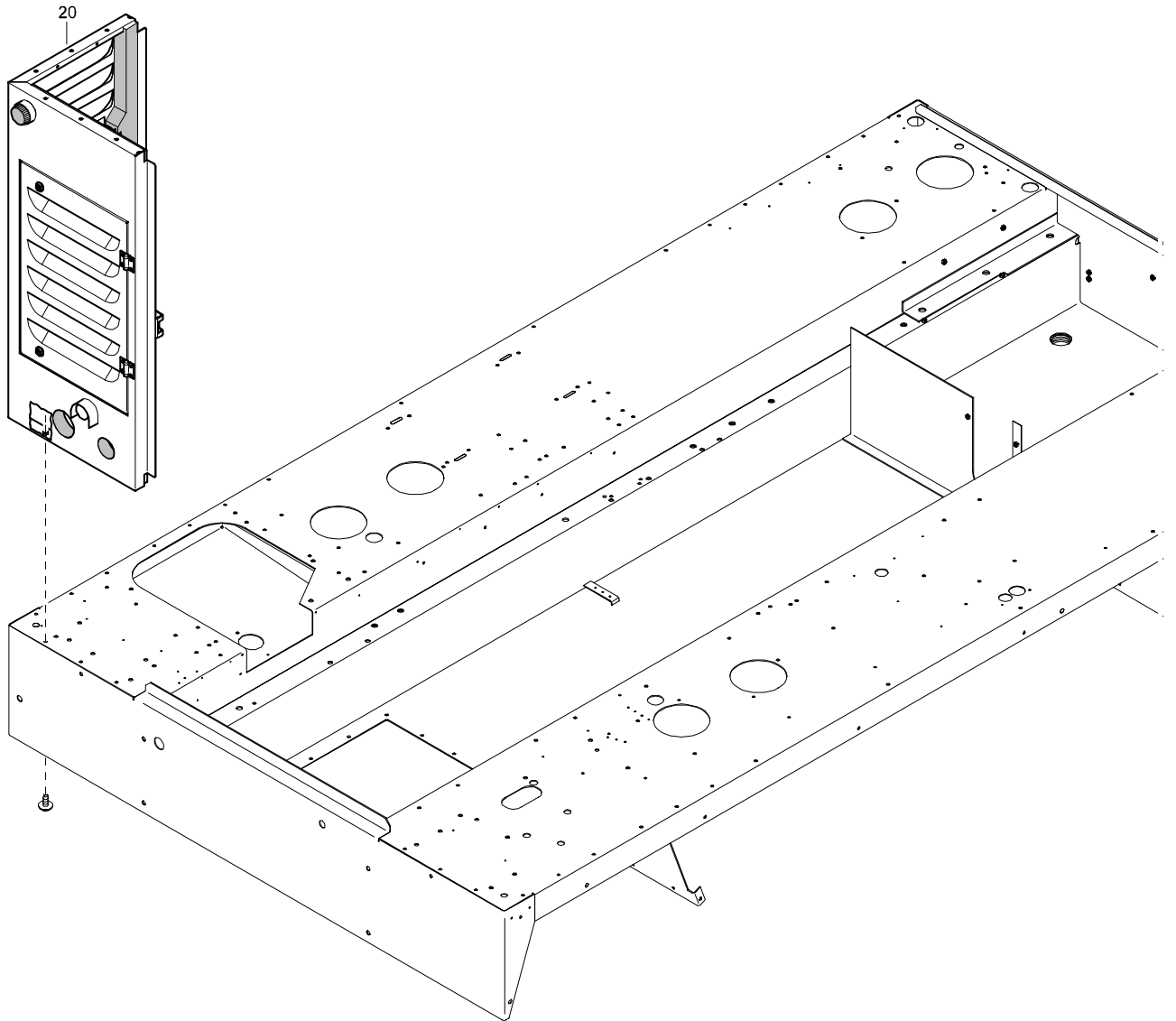
REF	PART NUMBER	DESIGNATION	QTY	REF	PART NUMBER	DESIGNATION	QTY
20	1604 4626 01	BEAM L&R	2				
40	1604 4627 01	BEAM F&R	2				
85	1604 3423 00	SCRAPER BOLT	18				
105	1604 3423 00	SCRAPER BOLT	18				
110	1604 4393 01	SUPPORT	2				
120	1604 3423 00	SCRAPER BOLT	4				
150	0147 1961 01	HEX. HEAD SCREW	4				
155	0301 2358 00	PLAIN WASHER	4				
160	1604 3726 81	PLATE ASSY	1				
•A20	1604 3726 01	PLATE	1				
•A25	1604 1275 00	SEAL	AR				
190	1604 1275 00	SEAL	AR				
220	1604 4318 00	SEAL	AR				
250	0686 9099 05	PLUG	1				
255	0686 9252 77	PROTECTION PLUG	1				

---

# STANDARD

CORNER ASSEMBLY  
NOT FOR NORTHERN COUNTRIES

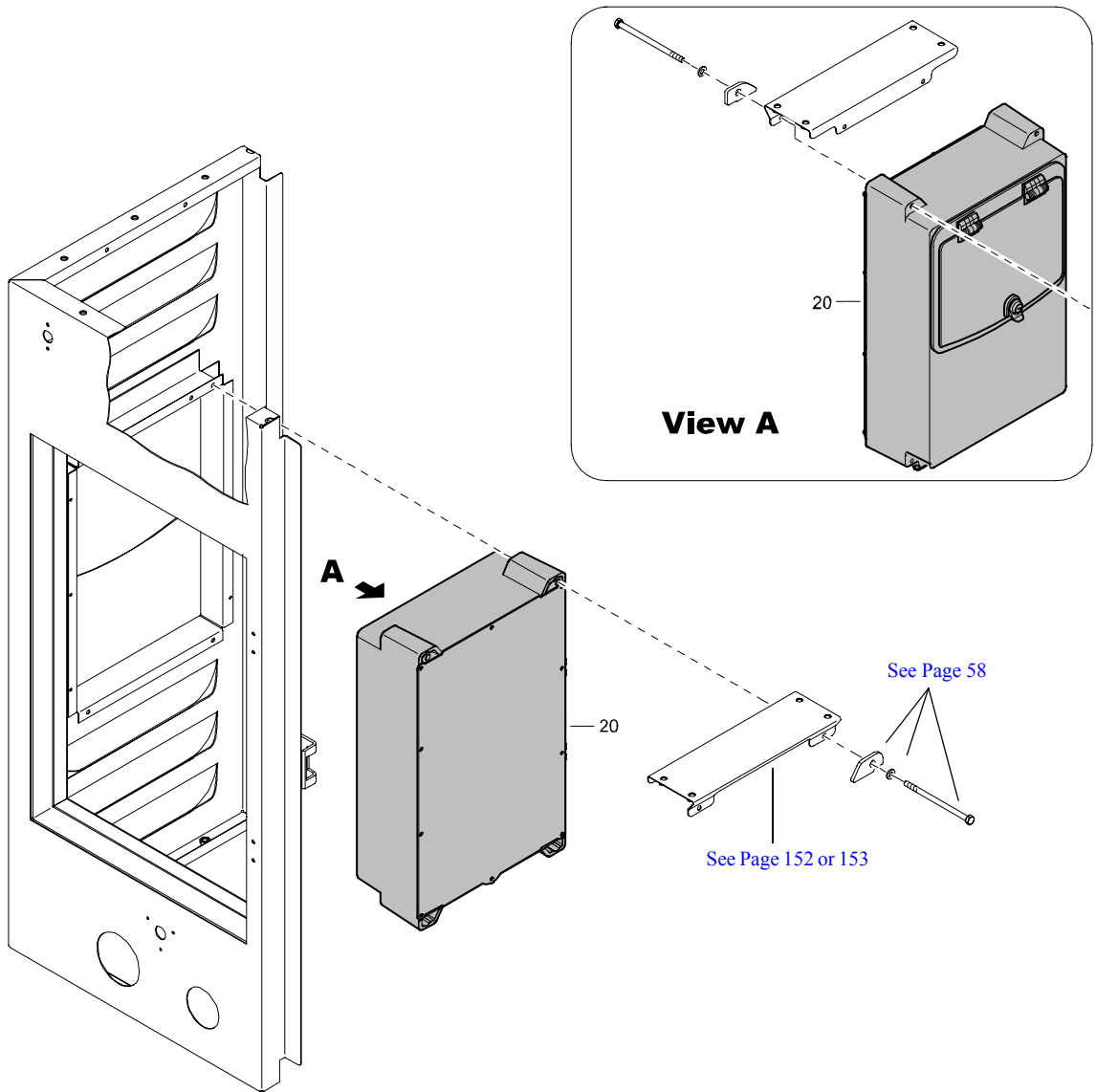
---



REF	PART NUMBER	DESIGNATION	QTY	REF	PART NUMBER	DESIGNATION	QTY
20	1604 2452 88	CORNER ASSY (For details see page 90)	1				

# STANDARD

## CONTROL MODULE



REF	PART NUMBER	DESIGNATION	QTY	REF	PART NUMBER	DESIGNATION	QTY
20	1900 1003 61	CONTROL BOX	1				
•A50	1604 4249 82	CONTROL BOX (For details see page 128)	1				



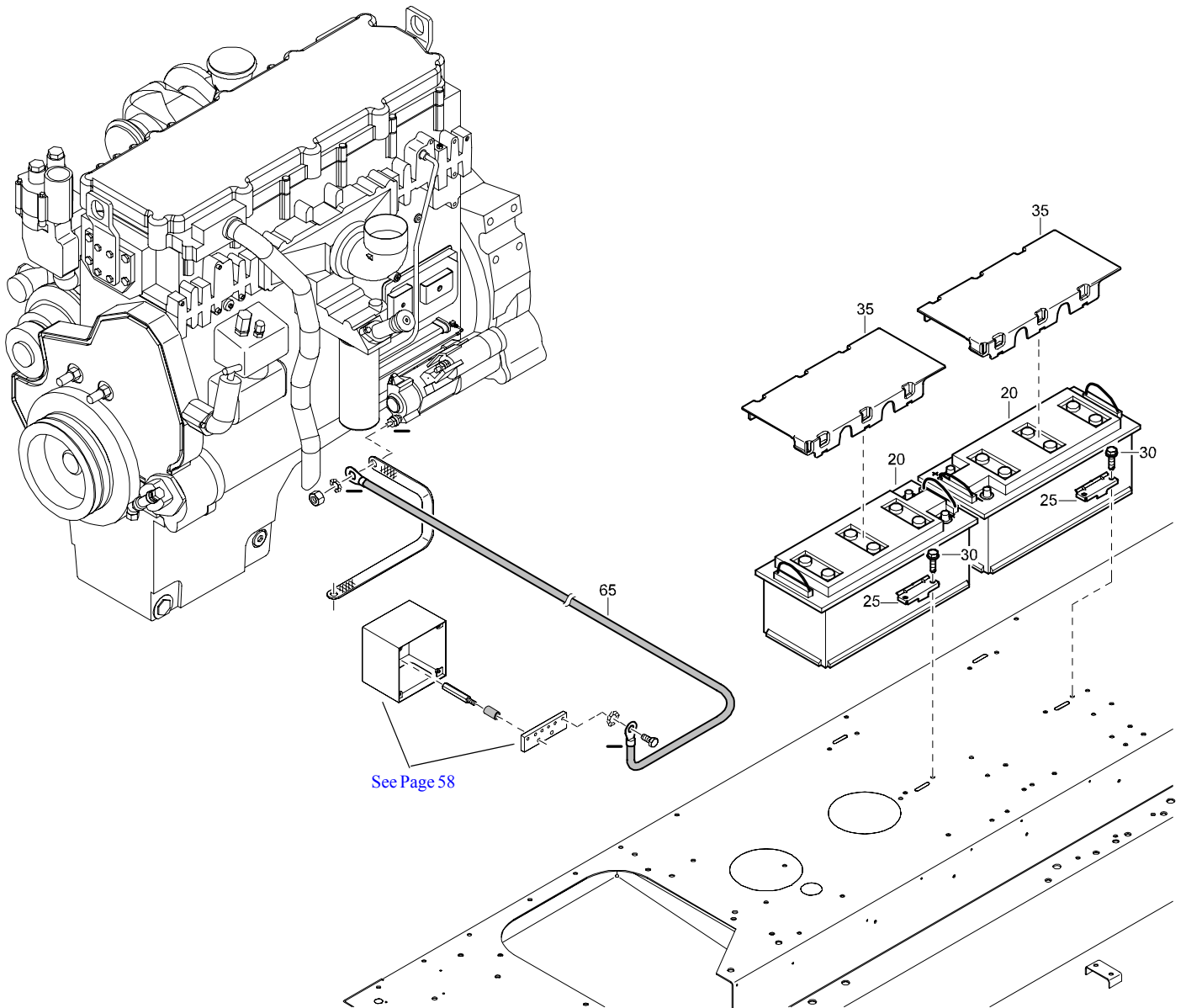
# STANDARD

## ELECTRICAL SYSTEM

REF	PART NUMBER	DESIGNATION	QTY	REF	PART NUMBER	DESIGNATION	QTY
55	0147 1360 03	HEX. HEAD SCREW	1	505	0301 2335 00	PLAIN WASHER	2
60	1604 0383 00	SEAL (OIL SEPARATOR)	2	600	0147 1244 03	HEX. HEAD SCREW	4
65	1088 0019 02	CONTACT WASHER	2	605	0333 3220 00	LOCK WASHER	4
120	1089 9206 12	CIRCUIT BREAKER	1	610	0301 2321 00	PLAIN WASHER	4
130	1604 6016 00	CABLE (ELEC)	1	615	0266 2108 00	HEXAGON NUT	4
132	1604 5166 00	BATTERY CABLE	1	620	1089 9562 03	EARTHING STRAP	1
136	1604 7846 00	CABLE (ELEC)	1	625	1088 0019 03	CONTACT WASHER	1
137	1604 6019 00	CABLE (ELEC)	1	630	0147 1398 03	HEX. HEAD SCREW	1
140	1604 8147 00	BATTERY CABLE	1	635	1089 9562 01	EARTHING STRAP	1
141	1619 3729 00	PROTECT.CAP	1	640	1088 0019 02	CONTACT WASHER	1
142	0147 1321 03	HEX. HEAD SCREW	8				
143	0333 3227 00	LOCK WASHER	8				
155	1604 3432 05	WIRE HARNESS	1				
160	1089 0574 70	TEMP.SENSOR	1				
175	1089 0574 70	TEMP.SENSOR	1				
180	1089 9579 55	PRESSURE SENSOR	1				
190	1089 9579 54	PRESSURE SENSOR	1				
195	1089 9579 60	PRESSURE SENSOR	1				
201	1089 9206 59	PROTECTION CAP	1				
260	1604 3433 01	WIRE	1				
281	1604 3679 00	SEAL	1				
285	5541 9781 00	HEX. HEAD SCREW	4				
290	0301 2321 00	PLAIN WASHER	4				
295	1604 4353 00	WASHER	4				
300	1604 9671 00	RELAY	1				
301	1604 9748 00	CABLE (ELEC)	1				
302	1604 9749 00	CABLE (ELEC)	1				
305	0147 1244 03	HEX. HEAD SCREW	2				
320	1604 7201 00	CUBICLE	1				
326	1604 7203 00	PLATE	1				
327	1604 7204 00	COVER	1				
328	1604 7405 00	SEAL	1				
330	1619 5898 01	HEX. HEAD SCREW	4				
335	1615 5664 00	HEX. HEAD SCREW	4				
340	0686 9252 47	PROTECTING PLUG	4				
345	0686 9252 86	PLUG	1				
380	1604 5813 00	BATT CABLES CLAMPING	1				
382	1615 5664 00	HEX. HEAD SCREW	2				
385	1604 5822 00	BATT CABLES CLAMPING	1				
410	1604 4594 02	SUPPORT	1				
411	1604 7864 00	SUPPORT	1				
412	1089 0584 01	BATTERY SWITCH	1				
415	1615 5664 00	HEX. HEAD SCREW	2				
420	1604 2124 81	POWER SUPPLY BOX ASSY	1				
		(For details see page 89)					
425	1503 1056 00	SEAL	AR				
430	1089 9385 02	ISOLATOR	2				
435	0147 1321 03	HEX. HEAD SCREW	2				
440	0333 3227 00	LOCK WASHER	2				
445	0301 2335 00	PLAIN WASHER	2				
450	1604 2121 01	STRIP	1				
455	0147 1323 03	HEX. HEAD SCREW	2				
460	0333 3227 00	LOCK WASHER	2				
465	0301 2335 00	PLAIN WASHER	2				
470	0324 1800 27	DISTANCE PIECE	2				
475	0070 4024 14	HOSE	2				
480	0266 2110 00	HEXAGON NUT	2				
485	1088 0019 01	CONTACT WASHER	2				
490	1604 2121 01	STRIP	1				
495	0147 1323 03	HEX. HEAD SCREW	2				
500	0333 3227 00	LOCK WASHER	2				

# STANDARD

## BATTERIES FOR COMPRESSOR WITHOUT COLD WEATHER EQUIPMENT



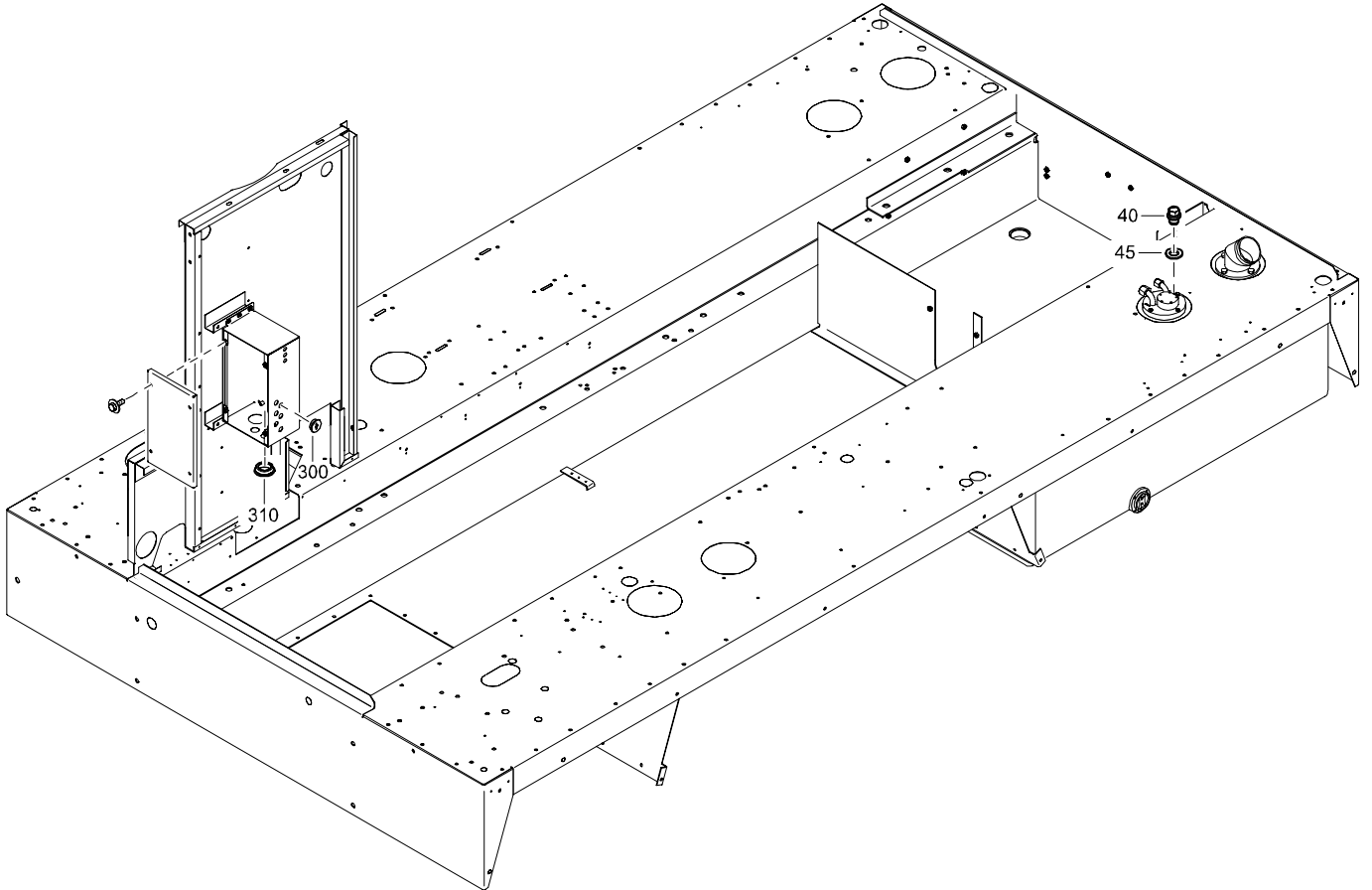
REF	PART NUMBER	DESIGNATION	QTY	REF	PART NUMBER	DESIGNATION	QTY
20	0975 8300 16	BATTERY	2				
25	1615 4861 00	CLAMP	4				
30	1619 5337 01	HEX. HEAD SCREW	8				
35	1604 7881 00	COVER (BATTERY)	2				
65	1604 7851 00	CABLE (ELEC)	1				

---

# STANDARD

## PLUGS FOR COMPRESSOR WITHOUT PREHEATER

---



REF	PART NUMBER	DESIGNATION	QTY	REF	PART NUMBER	DESIGNATION	QTY
40	0686 4201 03	HEXAGON PLUG	1				
45	0653 1046 00	FLAT GASKET	1				
300	0686 9252 75	PROTECTION PLUG	1				
310	0686 9253 12	PLUG	1				

# STANDARD

## MARKINGS TWO FUELTANK

**25**

**65**

**70**

**80**

**35**

**60**

**180**

**75**

**85**

**170**

**190**

**90**

**155**

**150**

**20**

**20**

**20**

**20**

**165**

**40**

**30**

**160**

**100**

**45**

**95**

**1079 9908 38**

**1079 9908 37**

**1079 9905 51**

---

# STANDARD

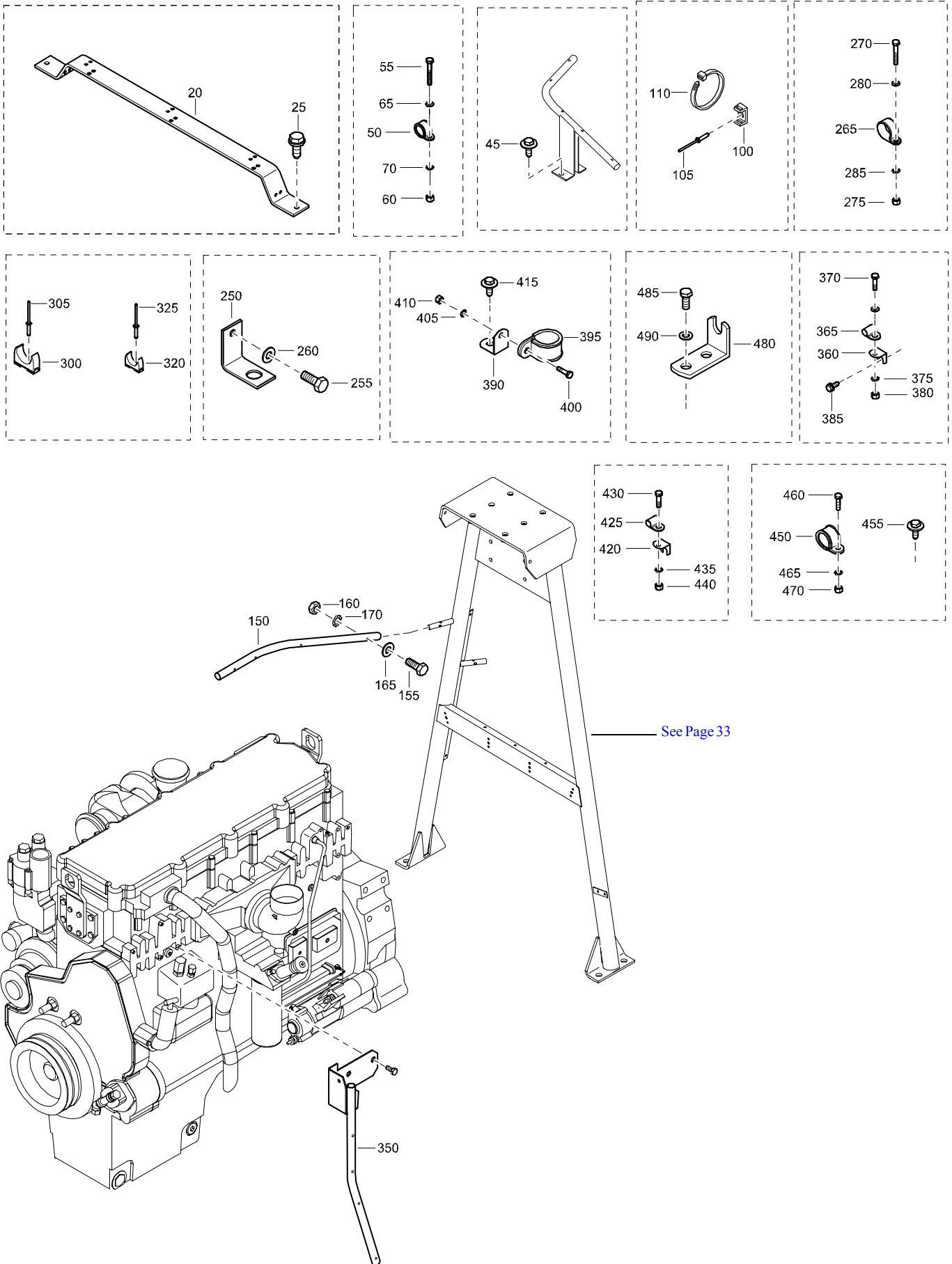
## MARKINGS TWO FUELTANK

---

REF	PART NUMBER	DESIGNATION	QTY	REF	PART NUMBER	DESIGNATION	QTY
20	0690 1150 00	HOUSE MARK	4				
25	1079 9903 59	INFORMATION LABEL	1				
30	1079 9903 62	INFORMATION LABEL	2				
35	1079 9902 38	INFORMATION LABEL	2				
40	1079 9902 45	INFORMATION LABEL	1				
45	1079 9903 60	INFORMATION LABEL	1				
60	1079 9921 73	INFORMATION LABEL	1				
65	1079 9922 09	INFORMATION LABEL	1				
70	1079 9924 91	INFORMATION LABEL	1				
75	1079 9922 07	INFORMATION LABEL	1				
80	1079 9905 51	INSTRUCTION LABEL	1				
85	1079 9902 49	INFORMATION LABEL	1				
90	1079 9903 58	INFORMATION LABEL	1				
95	1079 9921 03	INFORMATION LABEL	1				
100	1079 9910 02	INFORMATION LABEL	1				
150	-	DATA PLATE	1				
		(Not available separately)					
155	0129 3270 34	BLIND RIVET	4				
160	1079 9908 37	INSTRUCTION LABEL	1				
165	1079 9908 38	INSTRUCTION LABEL	1				
170	1079 9902 39	INFORMATION LABEL	1				
180	1604 7907 03	LABEL	1				
190	1626 0975 00	DECAL	2				

# STANDARD

## CLAMPING



---

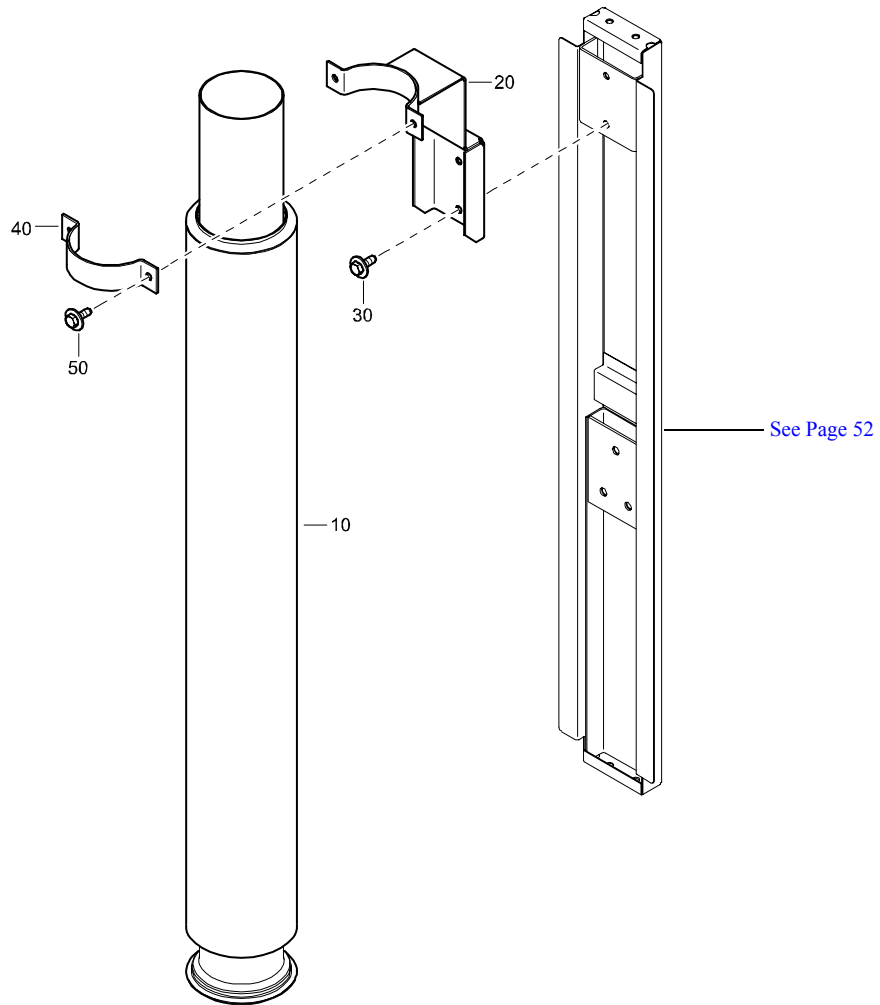
# STANDARD

## CLAMPING

---

REF	PART NUMBER	DESIGNATION	QTY	REF	PART NUMBER	DESIGNATION	QTY
20	1604 2745 03	CABLE GUIDE	1				
25	1619 2766 00	HEX. HEAD SCREW	3				
45	1615 5664 00	HEX. HEAD SCREW	2				
50	1613 0801 07	PIPE CLAMP	11				
55	0147 1252 03	HEX. HEAD SCREW	4				
60	0266 2108 00	HEXAGON NUT	4				
65	0301 2321 00	PLAIN WASHER	4				
70	0333 3220 00	LOCK WASHER	4				
100	0348 0110 03	ANCHOR PLATE	40				
105	0129 3110 00	BLIND RIVET	45				
110	0348 0101 05	CABLE TIE	65				
150	1604 2765 02	GUIDE	1				
155	0147 1251 03	HEX. HEAD SCREW	1				
160	0266 2108 00	HEXAGON NUT	1				
165	0301 2321 00	PLAIN WASHER	1				
170	0333 3220 00	LOCK WASHER	1				
250	1615 5619 00	BRACKET	1				
255	0147 1400 03	HEX. HEAD SCREW	1				
260	0333 3237 00	LOCK WASHER	1				
265	1613 0801 04	PIPE CLAMP	1				
270	0147 1251 03	HEX. HEAD SCREW	1				
275	0266 2108 00	HEXAGON NUT	1				
280	0301 2321 00	PLAIN WASHER	1				
285	0333 3220 00	LOCK WASHER	1				
300	1088 0832 06	CLAMP	2				
305	0129 3110 00	BLIND RIVET	2				
320	1088 0832 01	CABLE CLAMP	1				
325	0129 3110 00	BLIND RIVET	1				
350	1604 4381 01	GUIDE	1				
360	1613 0808 00	BRACKET	3				
365	1613 0803 02	PIPE CLAMP	12				
370	0147 1247 03	HEX. HEAD SCREW	6				
375	0333 3220 00	LOCK WASHER	6				
380	0266 2108 00	HEXAGON NUT	6				
385	1619 5898 01	HEX. HEAD SCREW	6				
390	2252 2333 00	BRACKET	3				
395	1613 0801 03	PIPE CLAMP	8				
400	0147 1247 03	HEX. HEAD SCREW	3				
405	0333 3220 00	LOCK WASHER	3				
410	0266 2108 00	HEXAGON NUT	3				
415	1615 5664 00	HEX. HEAD SCREW	3				
420	1613 0808 00	BRACKET	1				
425	1613 0802 00	PIPE CLAMP	1				
430	0147 1247 03	HEX. HEAD SCREW	1				
435	0333 3220 00	LOCK WASHER	1				
440	0266 2108 00	HEXAGON NUT	1				
450	1613 0801 08	PIPE CLAMP	1				
455	1615 5664 00	HEX. HEAD SCREW	1				
460	0147 1247 03	HEX. HEAD SCREW	1				
465	0333 3220 00	LOCK WASHER	1				
470	0266 2108 00	HEXAGON NUT	1				
480	1613 2679 00	SUPPORT	1				
485	0147 1358 03	HEX. HEAD SCREW	1				
490	0301 2344 00	PLAIN WASHER	1				

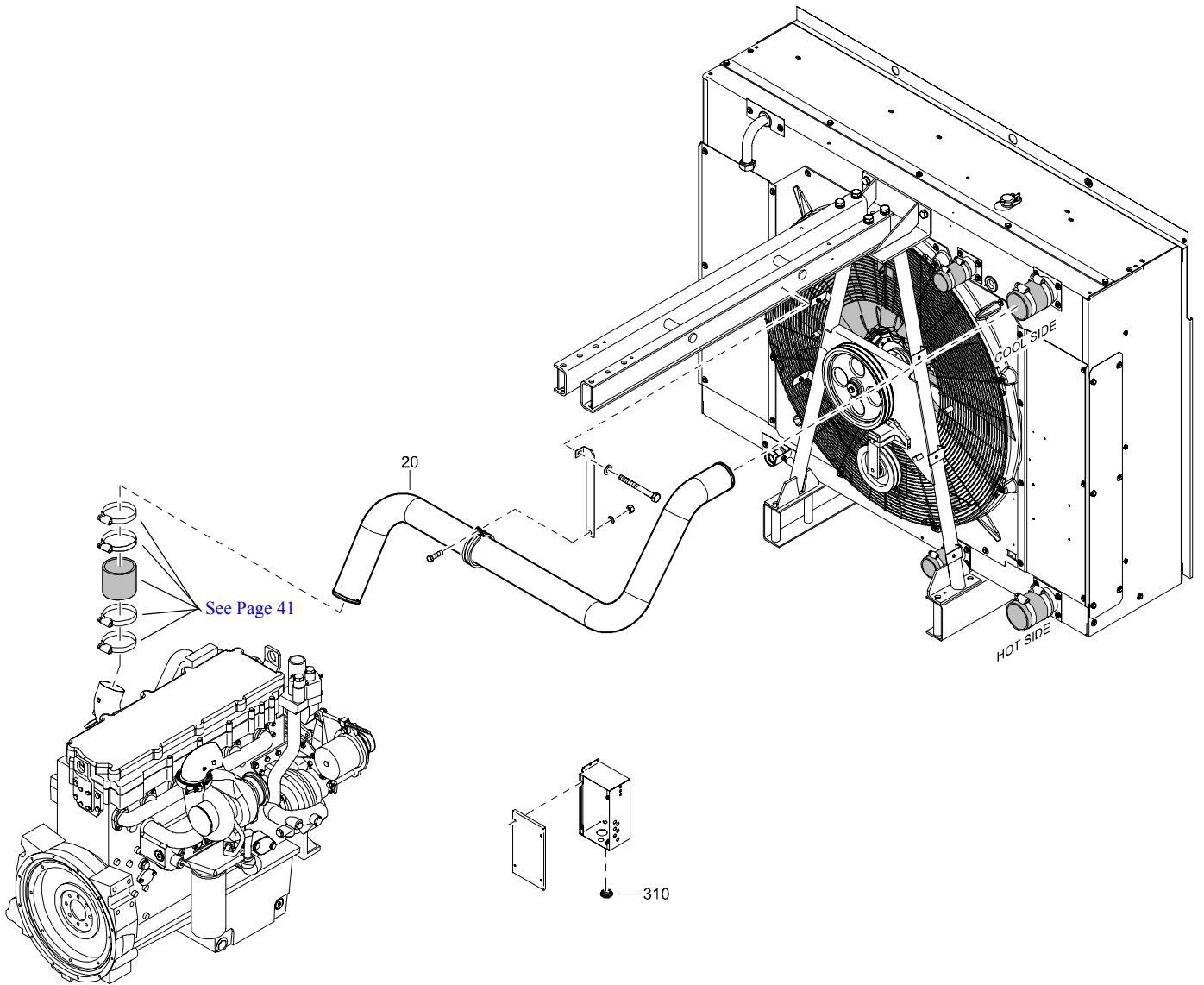
**STANDARD**  
**EXHAUST PIPE**  
**FOR COMPRESSOR WITHOUT SPARK ARRESTOR**  
**WITH NOISE REGULATION NOT CE**



REF	PART NUMBER	DESIGNATION	QTY	REF	PART NUMBER	DESIGNATION	QTY
10	1604 2486 03	PIPE	1				
20	1604 3732 02	BRACKET	1				
30	1615 5664 00	HEX. HEAD SCREW	2				
40	1604 3731 00	BRACKET	1				
50	1615 5664 00	HEX. HEAD SCREW	2				

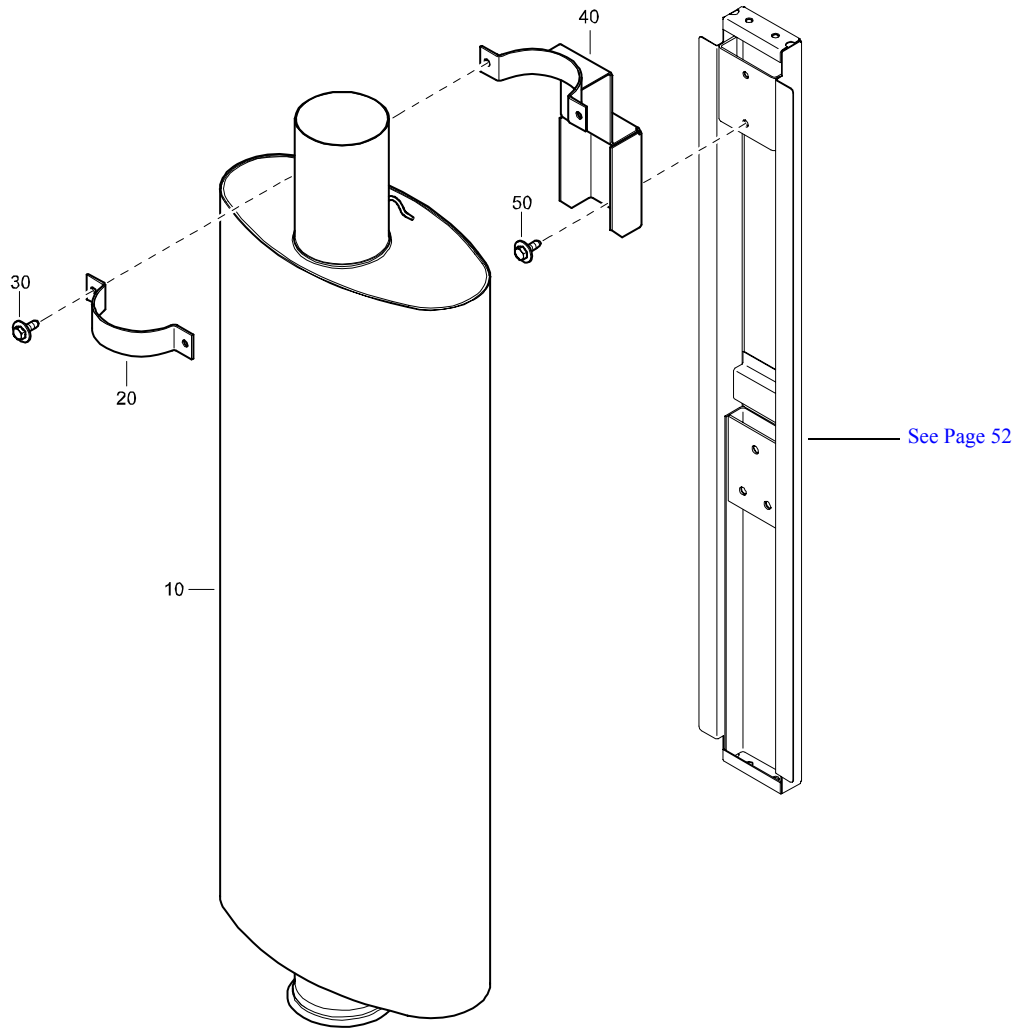
# STANDARD

## ENGINE AIR INLET PIPE FOR COMPRESSOR WITHOUT INLET SHUT DOWN VALVE



REF	PART NUMBER	DESIGNATION	QTY	REF	PART NUMBER	DESIGNATION	QTY
20	1604 7720 02	PIPE	1				
310	0686 9253 12	PLUG	1				

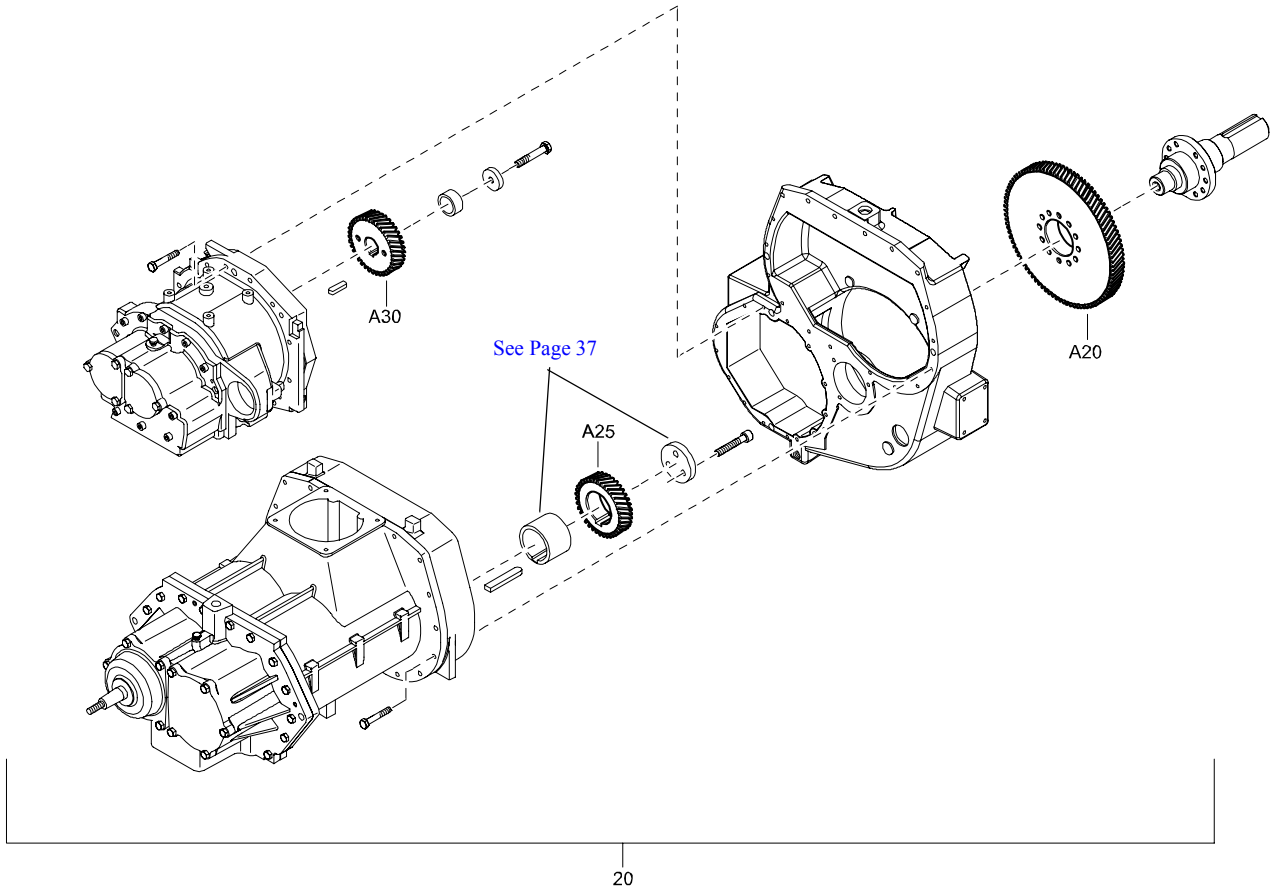
**STANDARD**  
**EXHAUST PIPE**  
**FOR COMPRESSOR WITHOUT SPARK ARRESTOR**  
**WITH NOISE REGULATION CE**



REF	PART NUMBER	DESIGNATION	QTY	REF	PART NUMBER	DESIGNATION	QTY
10	1604 9839 00	PIPE	1				
20	1626 0067 00	BRACKET	1				
30	1615 5664 00	HEX. HEAD SCREW	2				
40	1626 0066 01	BRACKET	1				
50	1615 5664 00	HEX. HEAD SCREW	2				

# STANDARD

## GEARS 1 : 2.4737



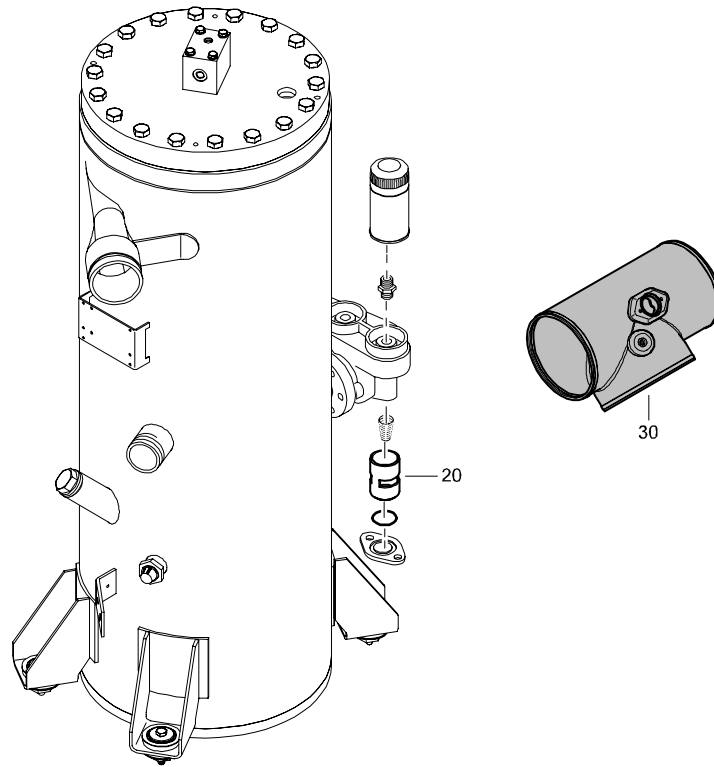
REF	PART NUMBER	DESIGNATION	QTY	REF	PART NUMBER	DESIGNATION	QTY
20	1604 7197 80	GEARSET_1	1				
•A20	1604 7197 00	GEAR	1				
•A25	1604 7198 00	GEAR	1				
•A30	1604 7199 00	GEAR	1				

---

# STANDARD

## AIR DUCT AND THERMOSTATIC VALVE FOR COMPRESSOR WITHOUT OILTRONIX

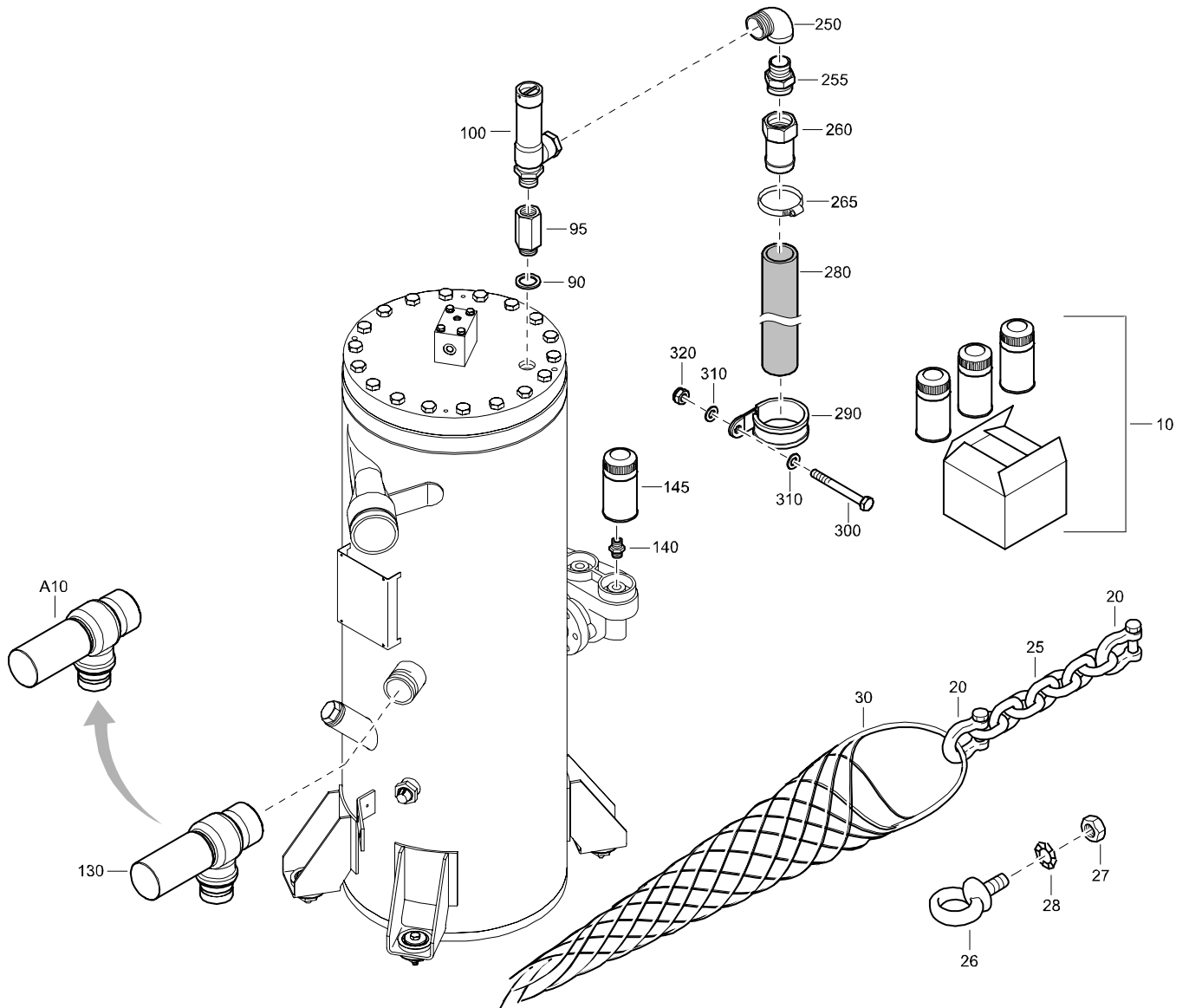
---



REF	PART NUMBER	DESIGNATION	QTY	REF	PART NUMBER	DESIGNATION	QTY
20	1615 9720 00	THERMOSTATIC VALVE	1				
30	1604 2758 02	AIR DUCT	1				

# STANDARD

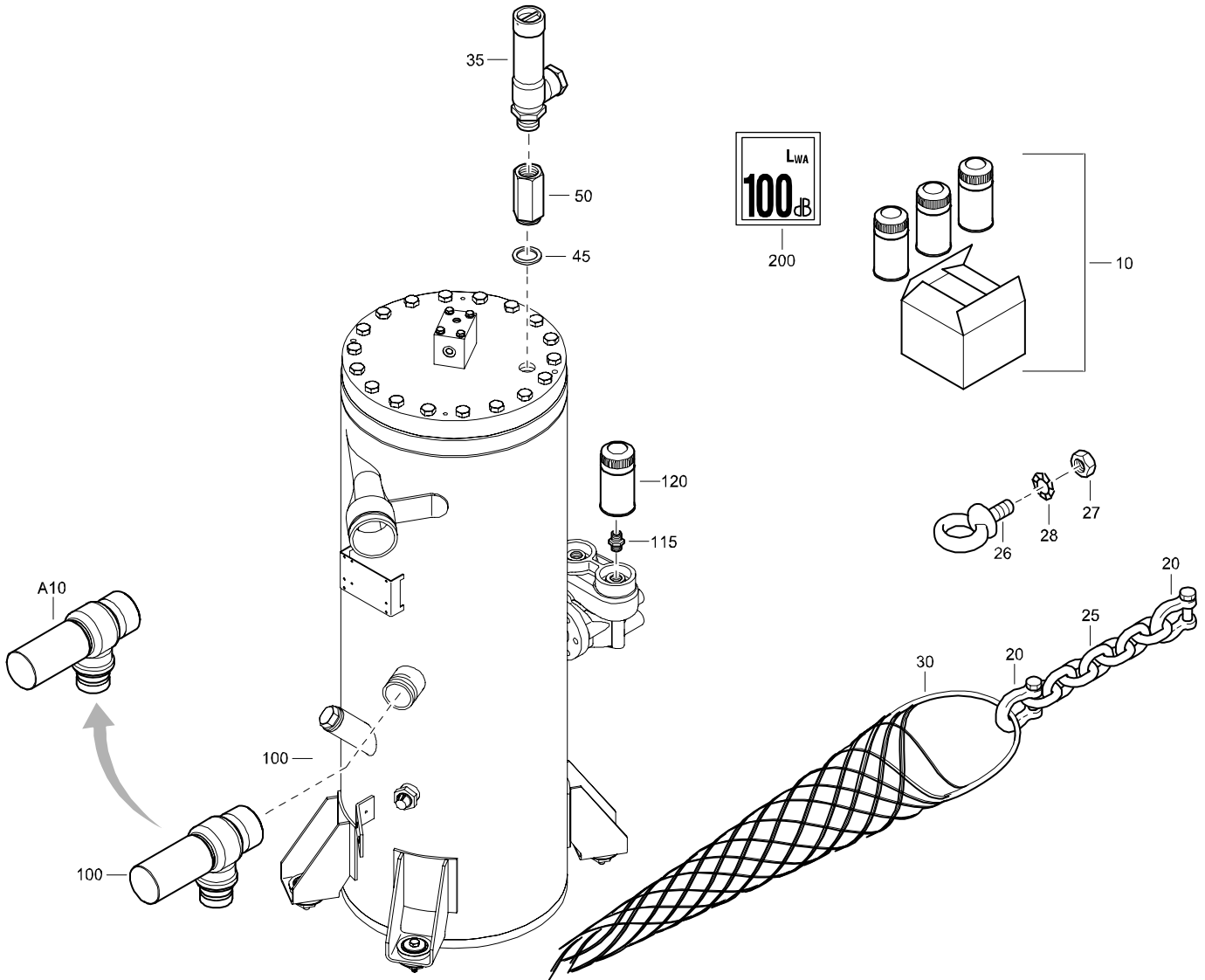
## VALVES ON VESSEL FOR ASME



REF	PART NUMBER	DESIGNATION	QTY	REF	PART NUMBER	DESIGNATION	QTY
10	WITH UNIT	PAK 50H HP SIZE II (Not available separately)	1	290	0346 1005 19	PIPE CLAMP	1
20	0372 4100 08	BOW SHACKLE	2	300	0147 1375 03	HEX. HEAD SCREW	1
25	3163 1853 00	CHAIN	1	310	0301 2344 00	PLAIN WASHER	2
26	0371 1100 21	LIFTING EYE	1	320	0291 1111 00	LOCKNUT	1
27	0266 2111 00	HEXAGON NUT	1				
28	0333 3232 00	LOCK WASHER	1				
30	3163 1852 00	WIRE MESH HOSE	1				
90	0661 1038 00	SEALING WASHER	1				
95	1604 3757 00	BUSHING	1				
100	0832 1001 50	SAFETY VALVE ASME APPROV	1				
130	-	MIN. PRESSURE VALVE	1				
•A10	2914 8347 00	MPV	1				
140	2254 7257 00	NIPPLE	3				
145	1202 8040 02	OILFILTER	3				
250	0560 1309 03	ELBOW	1				
255	0603 4150 56	BUSHING	1				
260	1615 6942 00	NIPPLE	1				
265	1079 3471 11	HOSE CLIP	1				
280	1604 5835 00	HOSE	1				

# STANDARD

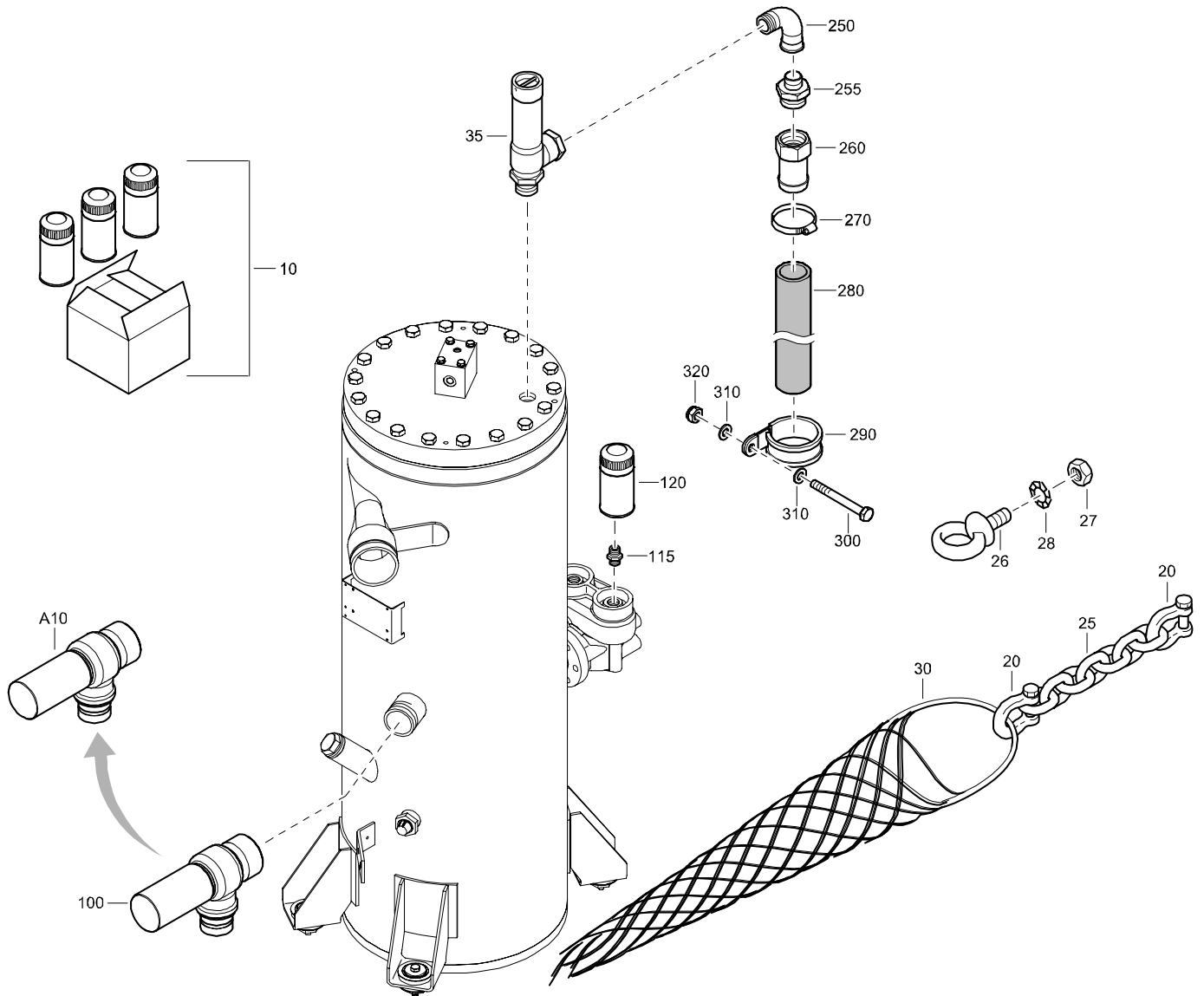
## VALVES ON VESSEL FOR COMPRESSOR WITH NOISE REGULATION CE



REF	PART NUMBER	DESIGNATION	QTY	REF	PART NUMBER	DESIGNATION	QTY
10	WITH UNIT	PAK 50H HP SIZE II (Not available separately)	1				
20	0372 4100 08	BOW SHACKLE	2				
25	3163 1853 00	CHAIN	1				
26	0371 1100 21	LIFTING EYE	1				
27	0266 2111 00	HEXAGON NUT	1				
28	0333 3232 00	LOCK WASHER	1				
30	3163 1852 00	WIRE MESH HOSE	1				
35	0832 1000 55	SAFETY VALVE	1				
45	0661 1038 00	SEALING WASHER	1				
50	1604 2848 00	BUSHING	1				
100	-	MIN. PRESSURE VALVE	1				
•A10	2914 8347 00	MPV	1				
115	2254 7257 00	NIPPLE	3				
120	1202 8040 02	OILFILTER	3				
200	1604 3317 03	LABEL NOISE 100LWA	1				

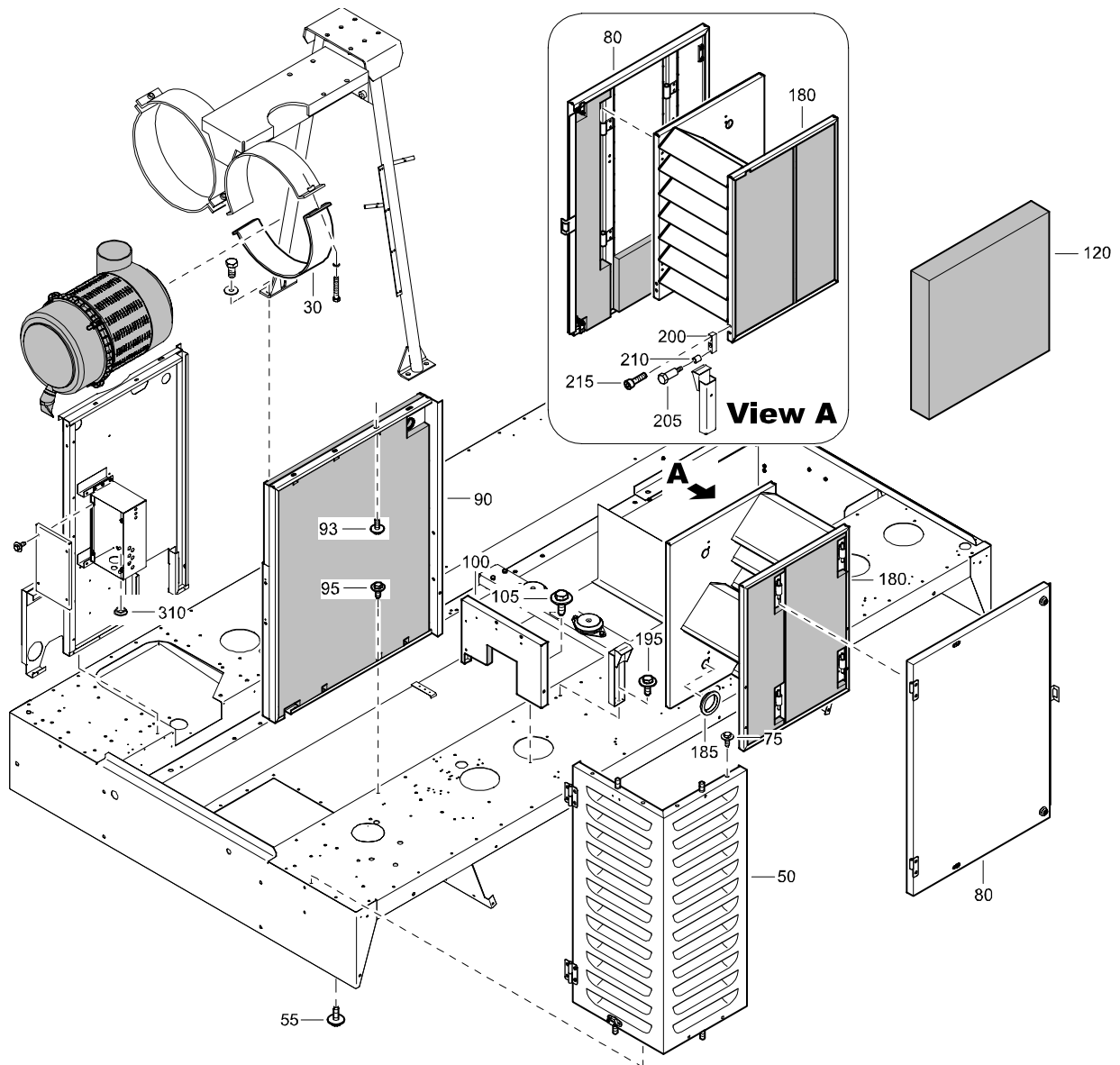
# STANDARD

## VALVES ON VESSEL FOR COMPRESSOR WITH NOISE REGULATION NOT CE



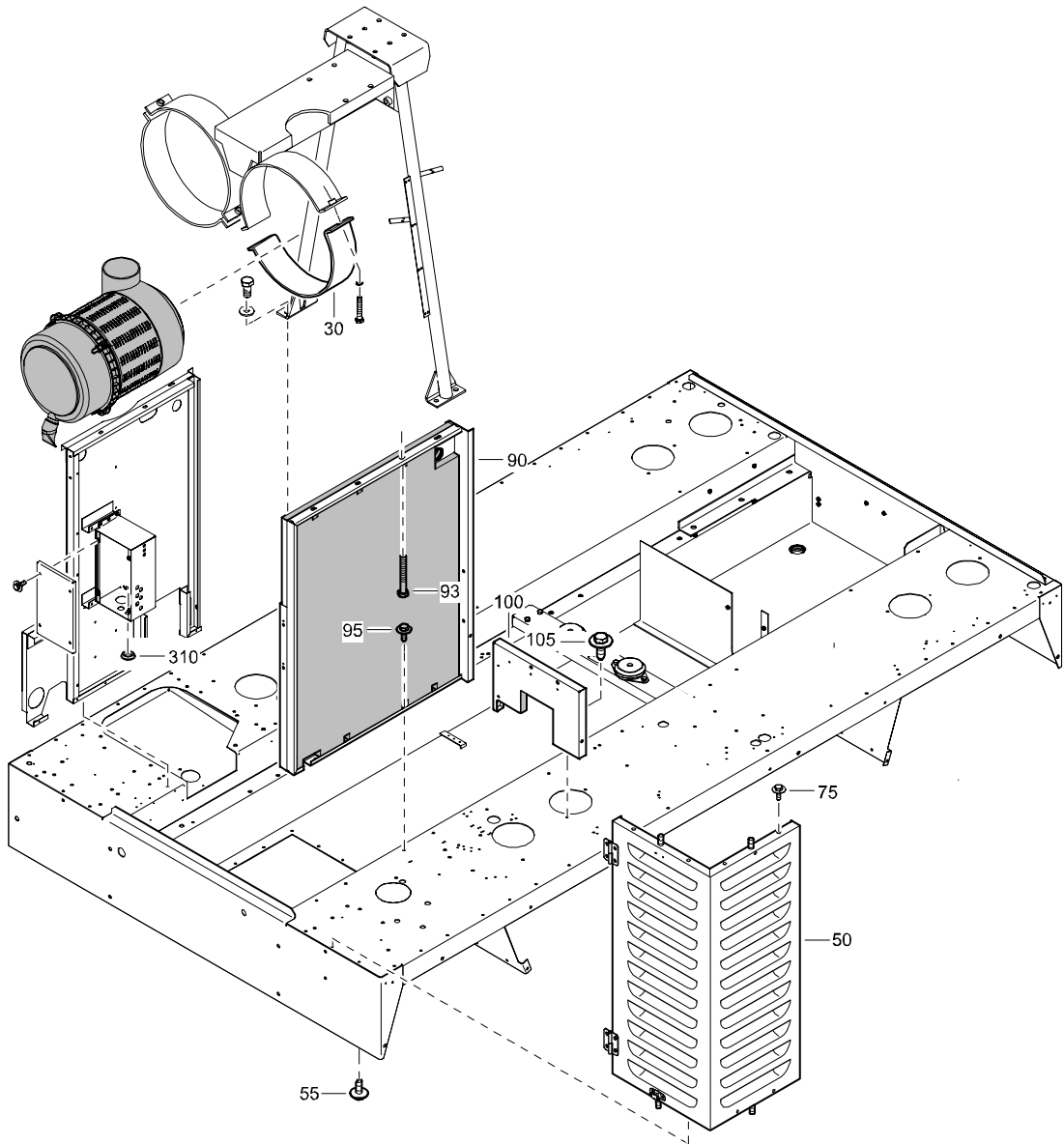
REF	PART NUMBER	DESIGNATION	QTY	REF	PART NUMBER	DESIGNATION	QTY
10	WITH UNIT	PAK 50H HP SIZE II (Not available separately)	1	310	0301 2344 00	PLAIN WASHER	2
20	0372 4100 08	BOW SHACKLE	2	320	0291 1111 00	LOCKNUT	1
25	3163 1853 00	CHAIN	1				
26	0371 1100 21	LIFTING EYE	1				
27	0266 2111 00	HEXAGON NUT	1				
28	0333 3232 00	LOCK WASHER	1				
30	3163 1852 00	WIRE MESH HOSE	1				
35	0832 1000 55	SAFETY VALVE	1				
100	-	MIN. PRESSURE VALVE	1				
•A10	2914 8347 00	MPV	1				
115	2254 7257 00	NIPPLE	3				
120	1202 8040 02	OILFILTER	3				
250	0562 3407 03	BEND	1				
255	0603 5125 03	HEXAGON NIPPLE	1				
260	1615 6942 00	NIPPLE	1				
270	1079 3471 11	HOSE CLIP	1				
280	1604 5835 00	HOSE	1				
290	0346 1005 19	PIPE CLAMP	1				
300	0147 1375 03	HEX. HEAD SCREW	1				

**STANDARD**  
**PANELS**  
**FOR COMPRESSOR WITHOUT AFTERCOOLER**  
**WITH NOISE REGULATION CE**



REF	PART NUMBER	DESIGNATION	QTY	REF	PART NUMBER	DESIGNATION	QTY
30	1604 0128 00	CLAMP (AIRFILTER)	1	205	1604 2705 00	SHAFT	2
50	1604 2468 80	CORNER ASSY	1	210	1604 2703 00	BUSHING	2
		(For details see page 101)		215	0211 1326 00	HEX SOCK. SCREW	2
55	1615 5664 00	HEX. HEAD SCREW	6	310	0686 9252 84	RUBBER PLUG	1
75	1615 5664 00	HEX. HEAD SCREW	4				
80	1604 2454 85	DOOR ASSY	1				
		(For details see page 92)					
90	1604 2477 84	PANEL ASSY	1	-	1079 0001 91	SILENCING FOAM	
		(For details see page 103)				2000 mm x 1500 mm x 40 mm	
93	1615 5664 00	HEX. HEAD SCREW	3				
95	1615 5664 00	HEX. HEAD SCREW	4				
100	1604 2542 82	PANEL	1				
		(For details see page 110)					
105	1615 5664 00	HEX. HEAD SCREW	4				
120	-	SILENCING FOAM (40 mm)	1				
180	1604 2658 82	BAFFLE	1				
		(For details see page 112)					
185	1088 0810 14	GROMMET	4				
195	1615 5664 00	HEX. HEAD SCREW	2				
200	1604 2708 01	SPACER	1				

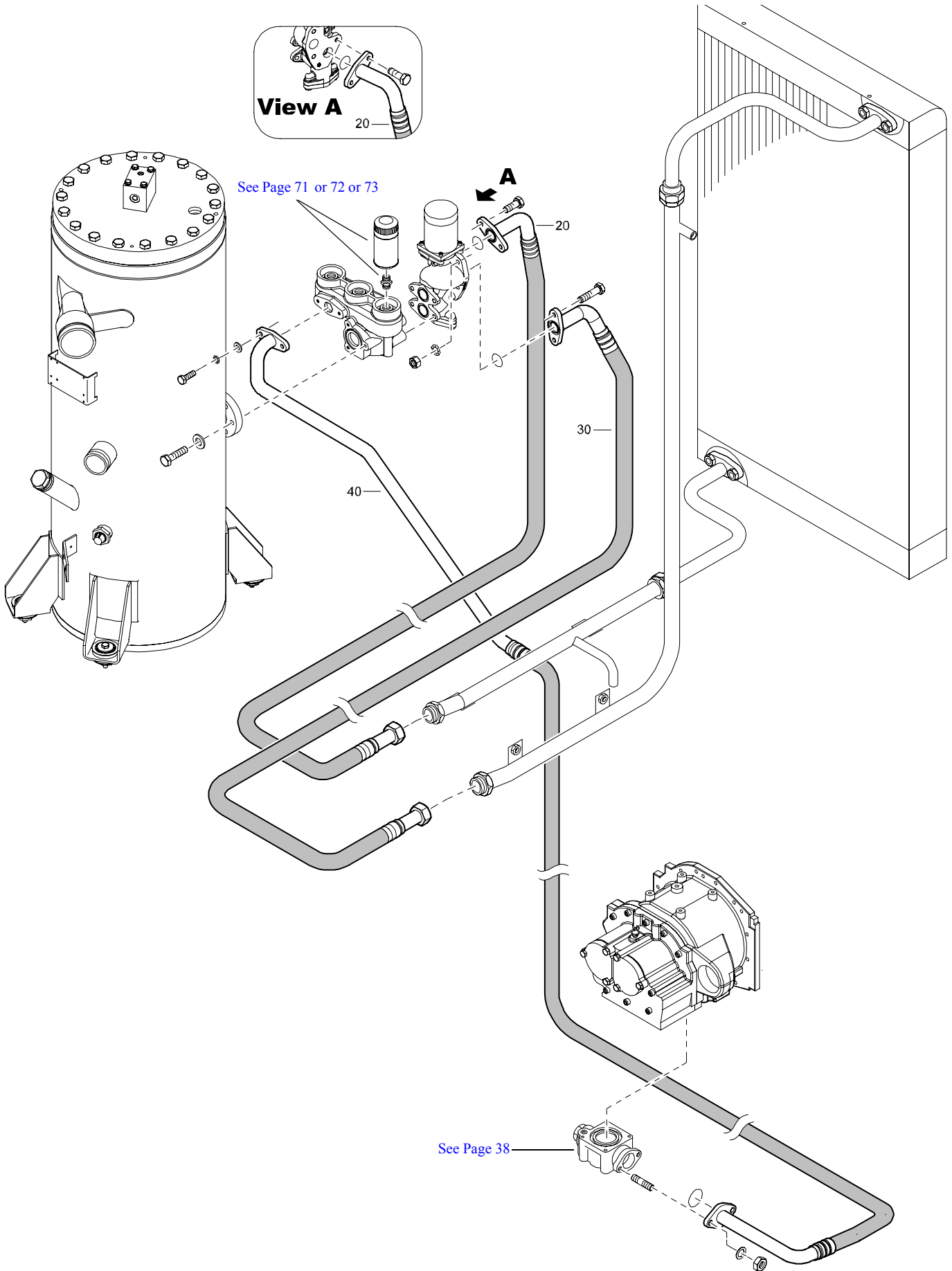
**STANDARD**  
**PANELS**  
**FOR COMPRESSOR WITHOUT AFTERCOOLER**  
**WITH NOISE REGULATION NOT CE**



REF	PART NUMBER	DESIGNATION	QTY	REF	PART NUMBER	DESIGNATION	QTY
30	1604 0128 00	CLAMP (AIRFILTER)	1				
50	1604 2468 80	CORNER ASSY (For details see page 101)	1				
55	1615 5664 00	HEX. HEAD SCREW	6				
75	1615 5664 00	HEX. HEAD SCREW	4				
90	1604 2477 84	PANEL ASSY (For details see page 103)	1				
93	0147 1332 03	HEX. HEAD SCREW	3				
95	1615 5664 00	HEX. HEAD SCREW	4				
100	1604 2542 82	PANEL (For details see page 110)	1				
105	1615 5664 00	HEX. HEAD SCREW	4				
310	0686 9252 84	RUBBER PLUG	1				

# STANDARD

## HOSE ASSEMBLY FOR OIL SYSTEM WITHOUT REHEATER WITH OILTRONIX



---

# STANDARD

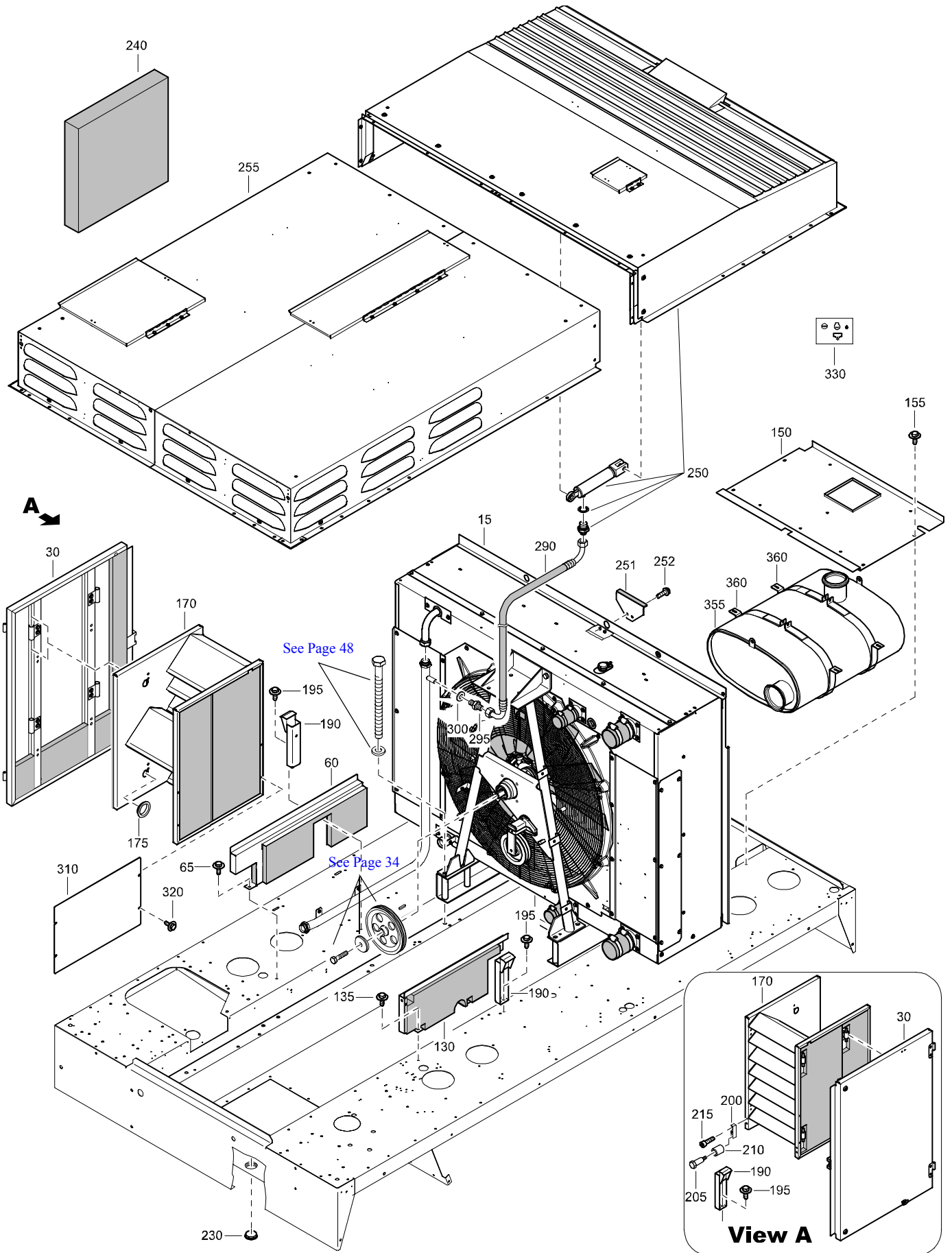
## HOSE ASSEMBLY FOR OIL SYSTEM WITHOUT REHEATER WITH OILTRONIX

---

REF	PART NUMBER	DESIGNATION	QTY	REF	PART NUMBER	DESIGNATION	QTY
20	1604 2459 02	HOSE ASSEMBLY	1				
30	1604 2462 01	HOSE ASSEMBLY	1				
40	1604 2458 04	HOSE ASSEMBLY	1				

# STANDARD

## PANEL AND ROOFS FOR COMPRESSOR WITH NOISE REGULATION CE



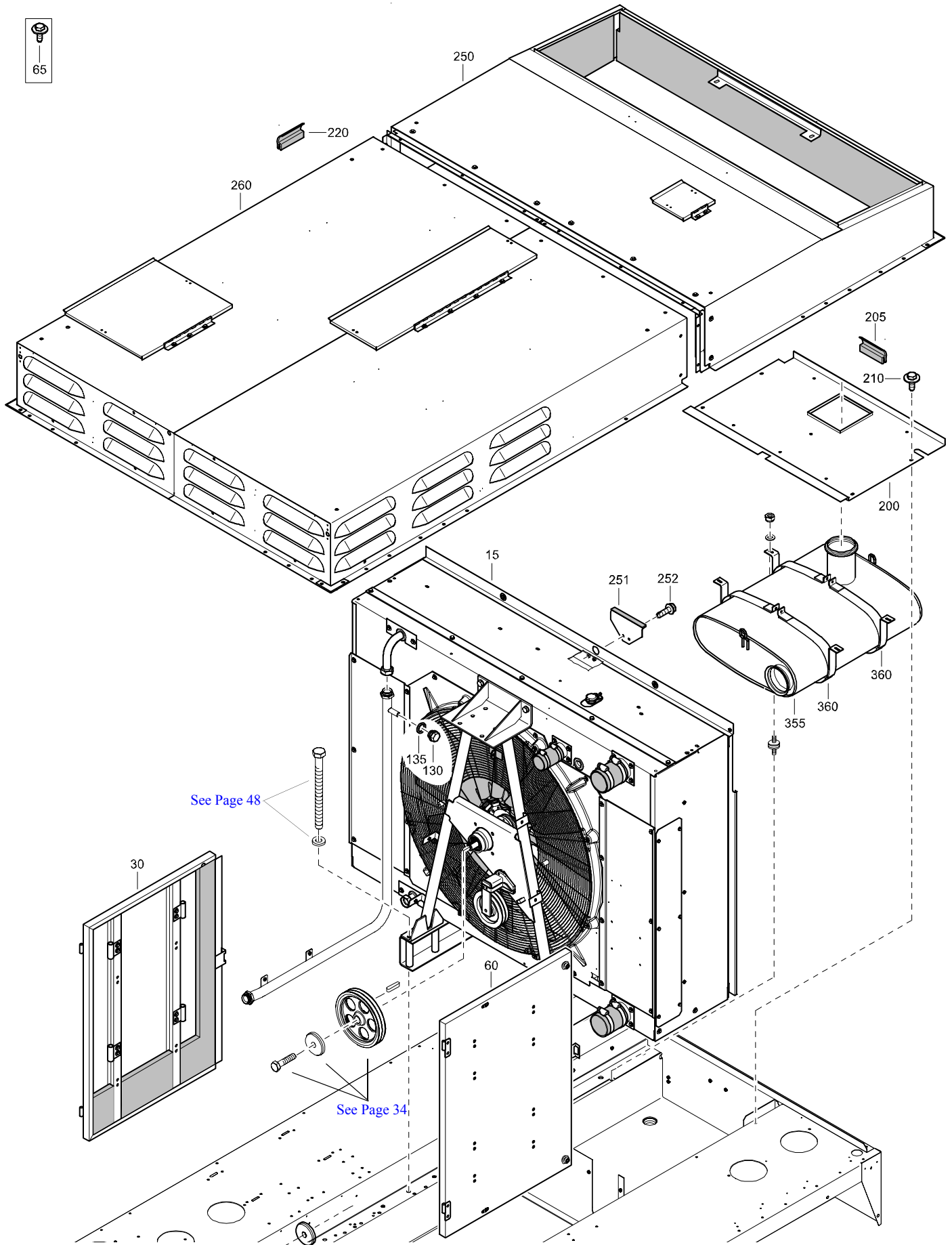
# STANDARD

## PANEL AND ROOFS FOR COMPRESSOR WITH NOISE REGULATION CE

REF	PART NUMBER	DESIGNATION	QTY	REF	PART NUMBER	DESIGNATION	QTY
15	1604 7534 83	COOLER & FANDR ASSY (For details see page 118)	1				
30	1604 2454 84	DOOR ASSY (For details see page 91)	1				
60	1604 2475 86	PANEL ASSY (For details see page 102)	1				
65	1615 5664 00	HEX. HEAD SCREW	3				
130	1604 3548 85	PANEL ASSY (For details see page 111)	1				
135	1615 5664 00	HEX. HEAD SCREW	3				
150	1604 4498 04	COVER	1				
155	1615 5664 00	HEX. HEAD SCREW	4				
170	1604 2659 82	BAFFLE (For details see page 113)	1				
175	1088 0810 14	GROMMET	4				
190	1604 2718 01	SUPPORT	2				
195	1615 5664 00	HEX. HEAD SCREW	2				
200	1604 2708 01	SPACER	1				
205	1604 2705 00	SHAFT	2				
210	1604 2703 00	BUSHING	2				
215	0211 1326 00	HEX SOCK. SCREW	2				
230	1613 2655 00	PLUG	5				
240	-	SILENCING FOAM (40 mm)	1				
250	1604 7533 82	ROOF ASSY FRONT (For details see page 117)	1				
251	1604 3729 01	SUPPORT	1				
252	1619 5337 01	HEX. HEAD SCREW	2				
255	1604 2493 87	ROOF ASSY REAR (For details see page 106)	1				
290	0574 9914 17	HOSE ASSEMBLY	1				
295	1079 5840 07	HEXAGON NIPPLE	1				
300	0661 1026 00	SEALING WASHER	1				
310	1604 3662 01	SHIELD	1				
320	1615 5664 00	HEX. HEAD SCREW	2				
330	1079 9922 08	INFORMATION LABEL	3				
355	1604 7511 03	SILENCER	1				
360	1604 7512 00	SUPPORT	2				
-	1079 0001 91	SILENCING FOAM 2000 mm x 1500 mm x 40 mm					

# STANDARD

## PANEL AND ROOFS FOR COMPRESSOR WITH NOISE REGULATION NOT CE



---

# STANDARD

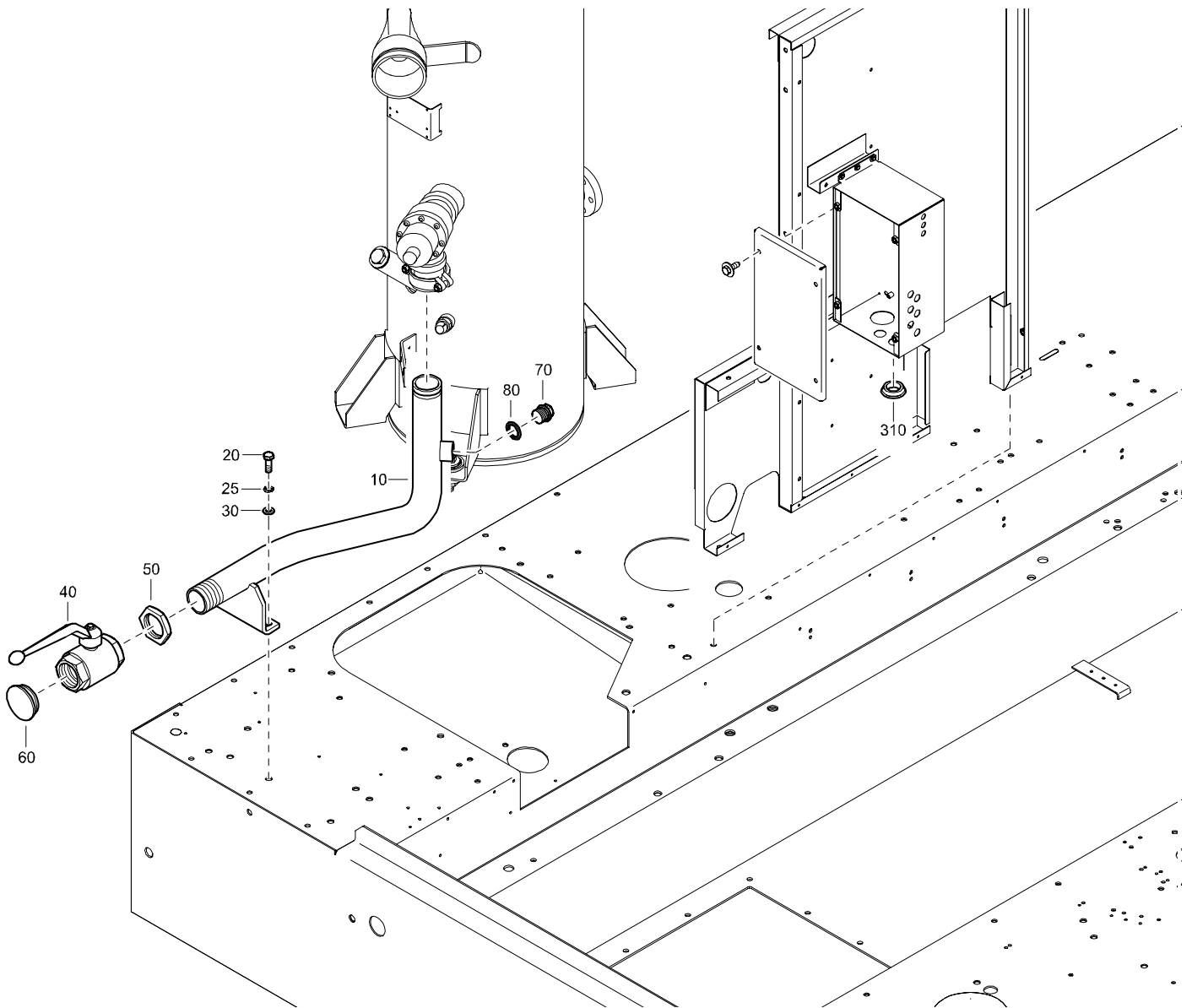
## PANEL AND ROOFS FOR COMPRESSOR WITH NOISE REGULATION NOT CE

---

REF	PART NUMBER	DESIGNATION	QTY	REF	PART NUMBER	DESIGNATION	QTY
15	1604 9648 80	COOLER & FANDR ASSY <a href="#">(For details see page 119)</a>	1				
30	1604 2454 86	DOOR ASSY <a href="#">(For details see page 93)</a>	1				
60	1604 2454 87	DOOR ASSY <a href="#">(For details see page 94)</a>	1				
65	1615 5664 00	HEX. HEAD SCREW	3				
130	0686 3716 30	HEXAGON PLUG	1				
135	0653 1100 00	FLAT GASKET	1				
200	1604 4498 04	COVER	1				
205	1604 4318 00	SEAL	AR				
210	1615 5664 00	HEX. HEAD SCREW	4				
220	1604 4318 00	SEAL	AR				
250	1604 4250 83	ROOF ASSY <a href="#">(For details see page 116)</a>	1				
251	1604 3729 01	SUPPORT	1				
252	1619 5337 01	HEX. HEAD SCREW	2				
260	1604 4212 86	ROOF ASSY REAR <a href="#">(For details see page 115)</a>	1				
355	1604 2484 03	SILENCER	1				
360	1604 2549 02	CLAMP	2				

# STANDARD

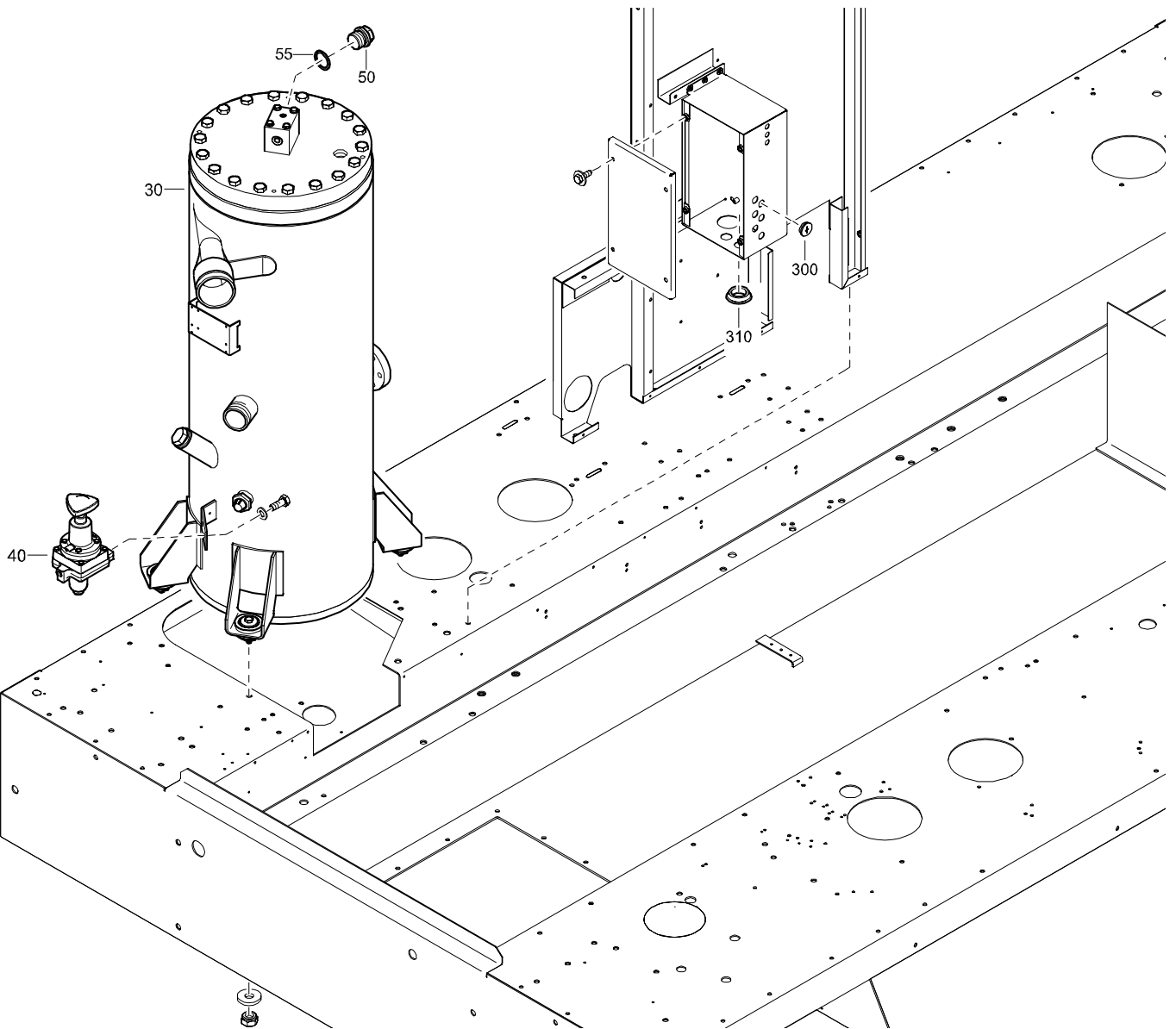
## COMPRESSOR AIR OUTLET SINGLE DELIVERY VALVE



REF	PART NUMBER	DESIGNATION	QTY	REF	PART NUMBER	DESIGNATION	QTY
10	1604 3768 00	MANIFOLD	1				
20	0147 1362 03	HEX. HEAD SCREW	2				
25	0333 3232 00	LOCK WASHER	2				
30	0301 2344 00	PLAIN WASHER	2				
40	0852 0010 52	BALL VALVE	1				
50	0623 2100 09	BACKNUT	1				
60	0686 9252 83	PLUG	1				
70	0686 3716 35	HEXAGON PLUG	1				
80	0661 1038 00	SEALING WASHER	1				
310	0686 9252 84	RUBBER PLUG	1				

# STANDARD

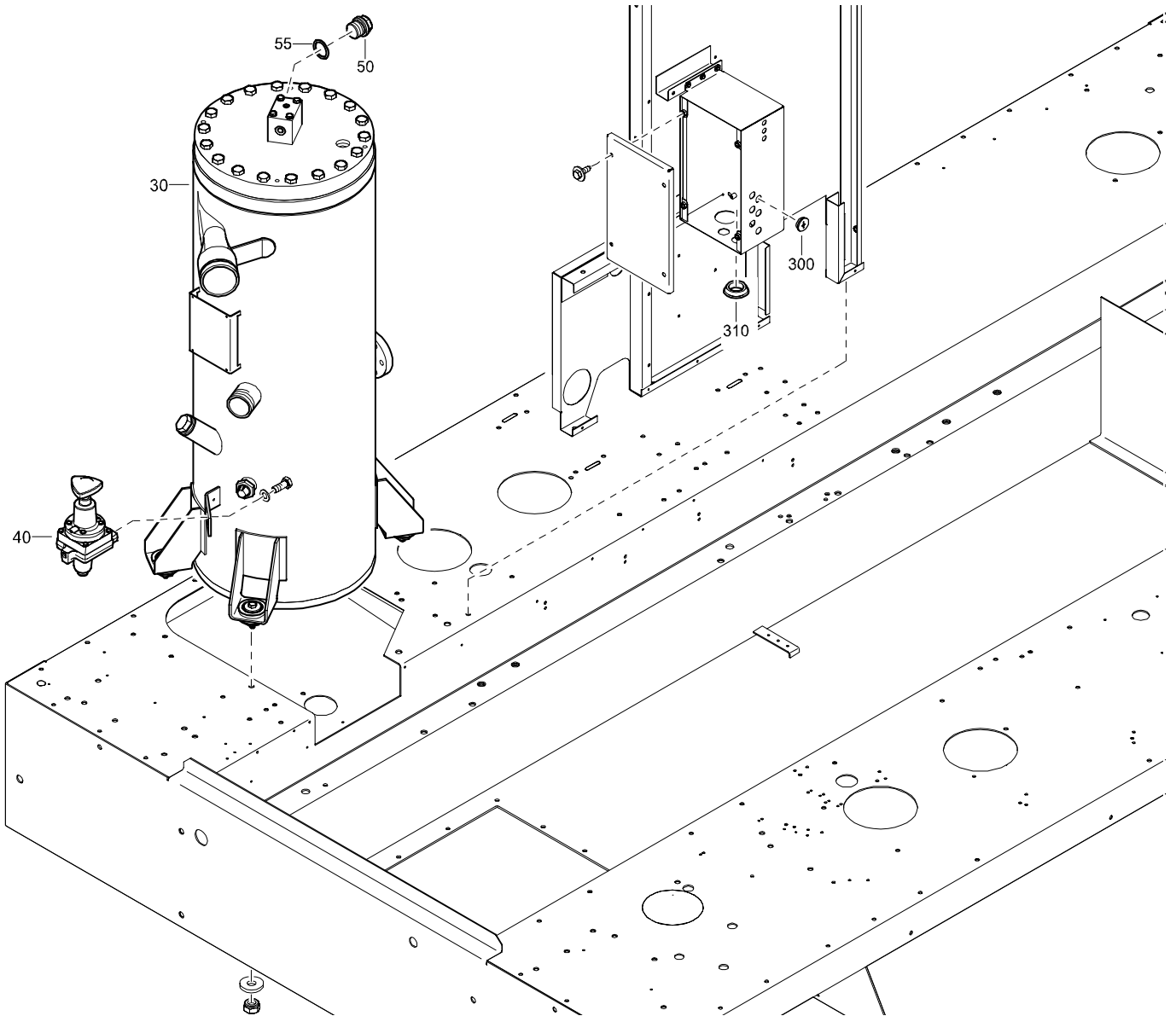
## OIL SEPERATOR ASSEMBLY AND REGULATING VALVE FOR COMPRESSOR WITHOUT COLD WEATHER EQUIPMENT FOR EC



REF	PART NUMBER	DESIGNATION	QTY	REF	PART NUMBER	DESIGNATION	QTY
30	1604 2532 92	OILSEP. ASSY EC (For details see page 107)	1				
40	2252 0495 96	REGUL. VALVE (For details see page 122)	1				
50	0686 3716 02	HEXAGON PLUG	1				
55	0653 1124 00	FLAT GASKET	1				
300	0686 9252 75	PROTECTION PLUG	1				
310	0686 9252 84	RUBBER PLUG	1				

# STANDARD

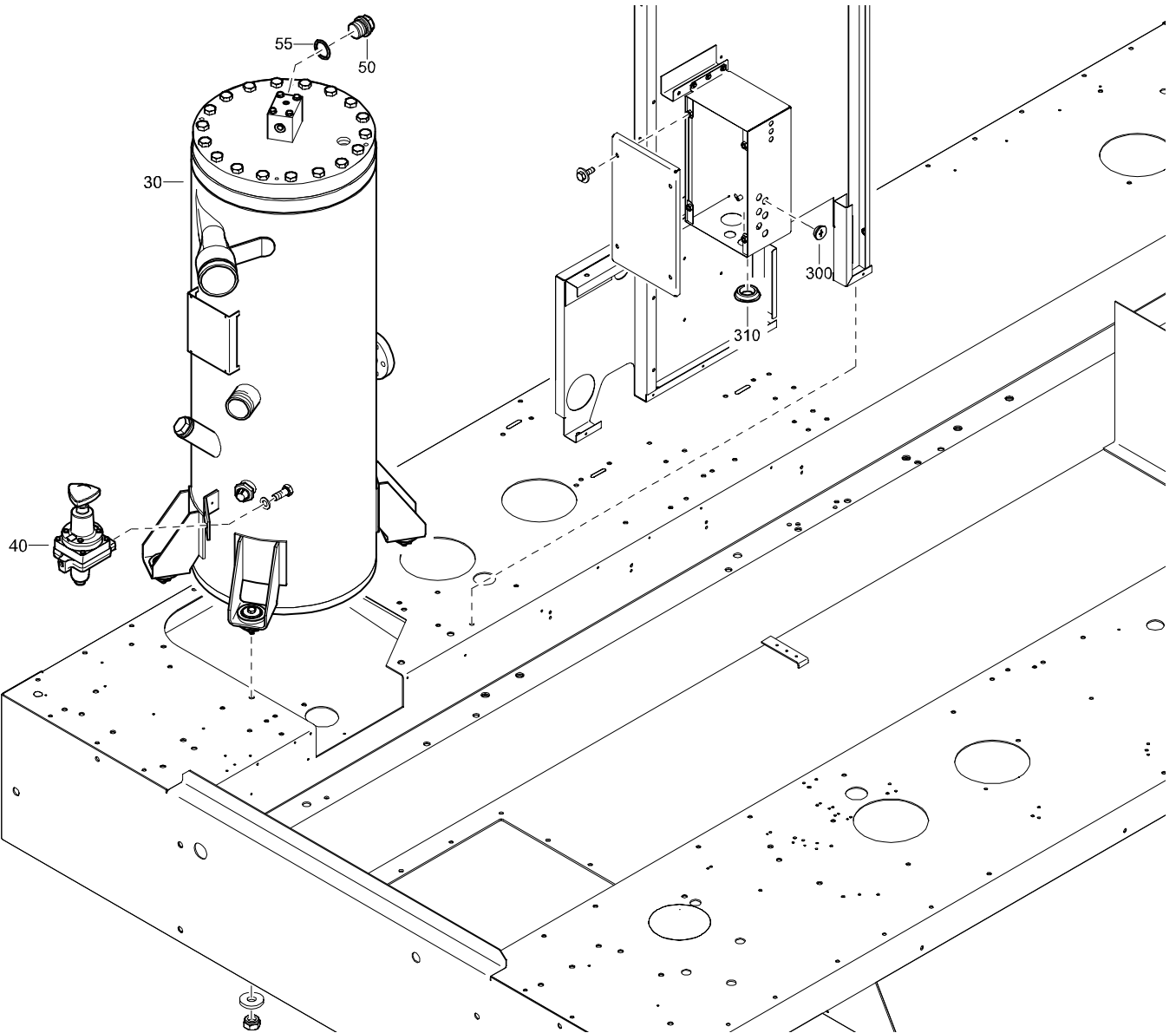
## OIL SEPERATOR ASSEMBLY AND REGULATING VALVE FOR COMPRESSOR WITHOUT COLD WEATHER EQUIPMENT FOR ASME



REF	PART NUMBER	DESIGNATION	QTY	REF	PART NUMBER	DESIGNATION	QTY
30	1604 2532 93	OILSEP. ASSY ASME (For details see page 108)	1				
40	2252 0495 96	REGUL. VALVE (For details see page 122)	1				
50	0686 3716 02	HEXAGON PLUG	1				
55	0653 1124 00	FLAT GASKET	1				
300	0686 9252 75	PROTECTION PLUG	1				
310	0686 9252 84	RUBBER PLUG	1				

# STANDARD

## OIL SEPERATOR ASSEMBLY AND REGULATING VALVE FOR COMPRESSOR WITHOUT COLD WEATHER EQUIPMENT FOR SQL



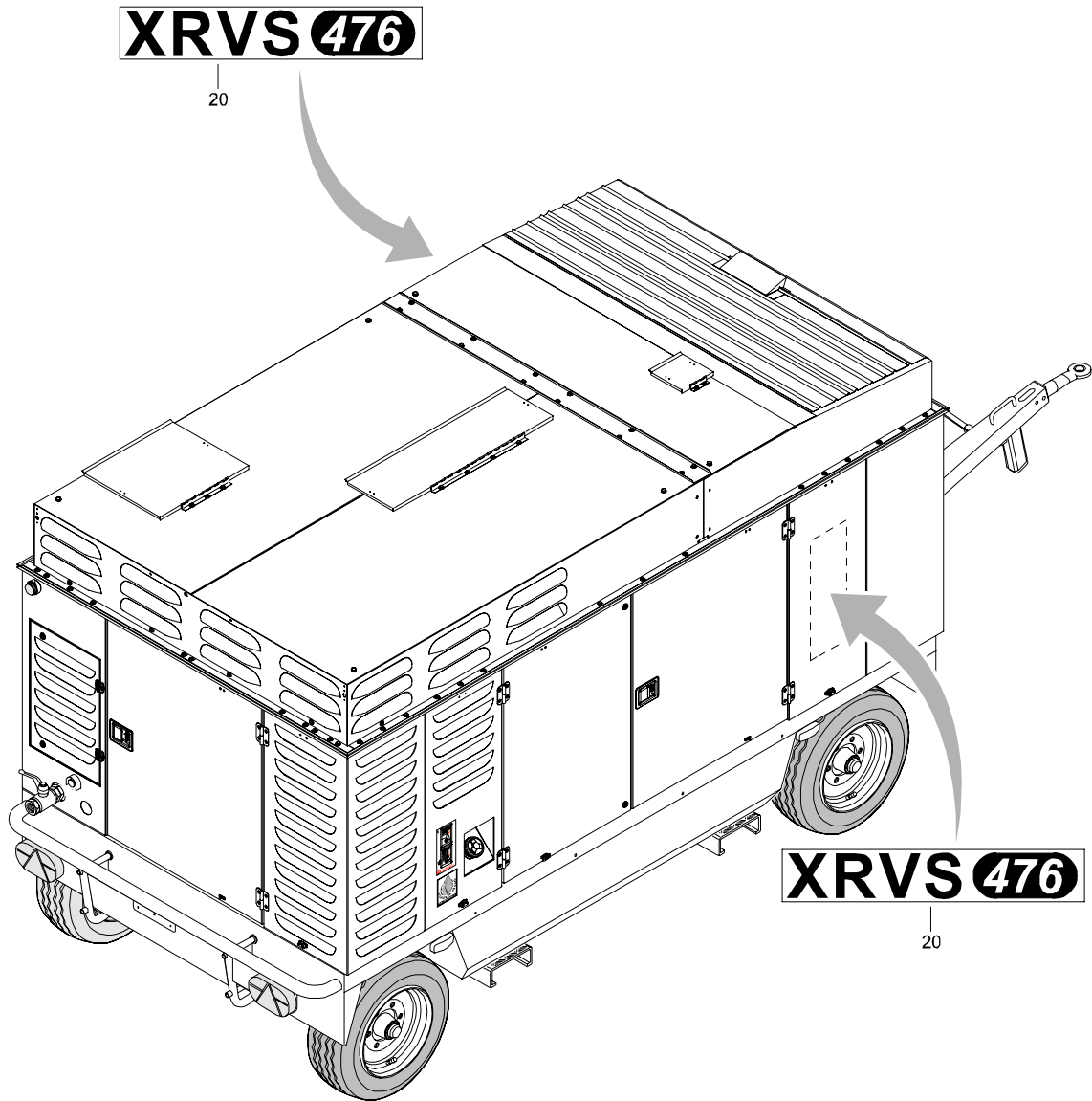
REF	PART NUMBER	DESIGNATION	QTY	REF	PART NUMBER	DESIGNATION	QTY
30	1604 2532 94	OILSEP. ASSY SQL <a href="#">(For details see page 109)</a>	1				
40	2252 0495 96	REGUL. VALVE <a href="#">(For details see page 122)</a>	1				
50	0686 3716 02	HEXAGON PLUG	1				
55	0653 1124 00	FLAT GASKET	1				
300	0686 9252 75	PROTECTION PLUG	1				
310	0686 9252 84	RUBBER PLUG	1				

---

# STANDARD

MARKINGS  
L/S

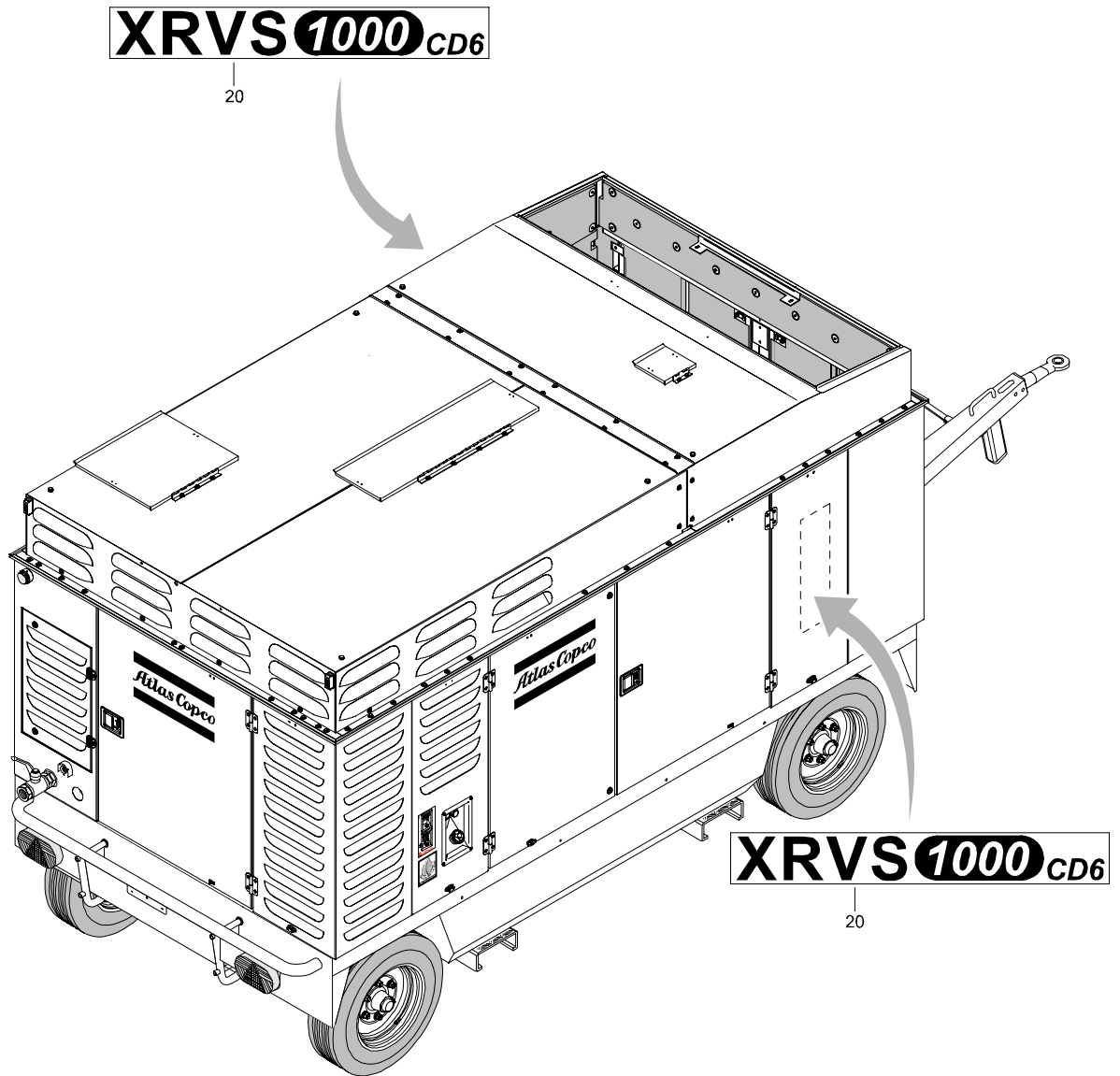
---



REF	PART NUMBER	DESIGNATION	QTY	REF	PART NUMBER	DESIGNATION	QTY
20	1626 0900 70	DECAL	2				

# STANDARD

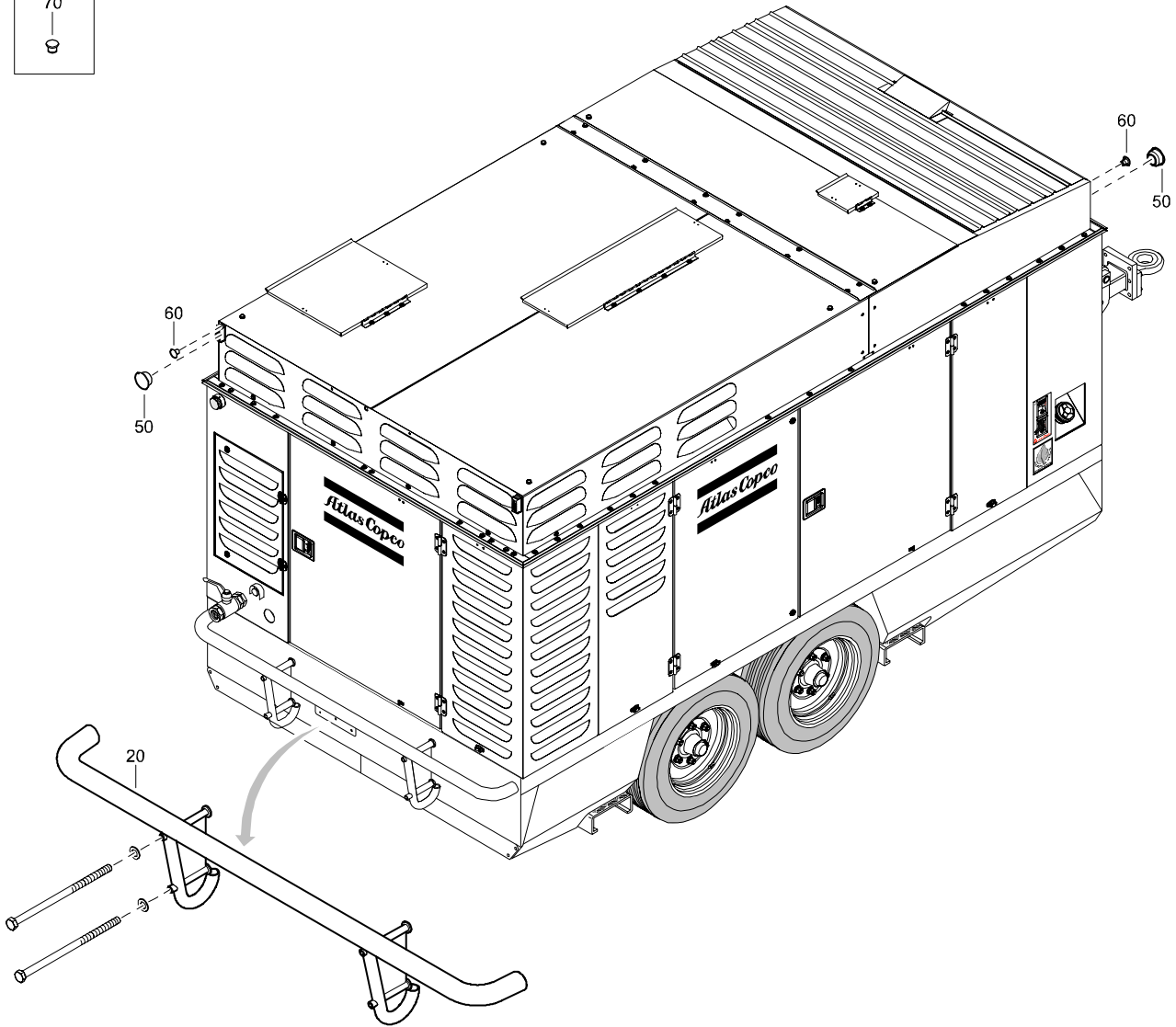
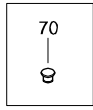
MARKINGS  
CFM



REF	PART NUMBER	DESIGNATION	QTY	REF	PART NUMBER	DESIGNATION	QTY
20	1626 0900 71	DECAL	2				

# STANDARD

## BUMPER FOR COMPRESSOR WITHOUT ROAD LIGHT SYSTEM



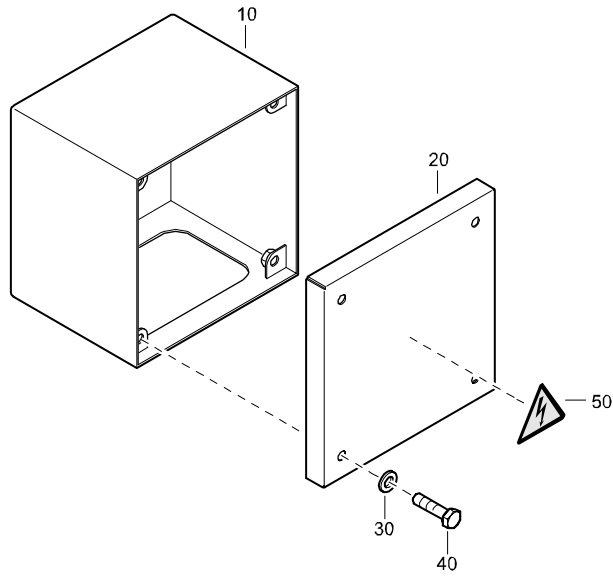
REF	PART NUMBER	DESIGNATION	QTY	REF	PART NUMBER	DESIGNATION	QTY
20	1604 3554 01	BUMPER	1				
50	0686 9252 85	PLUG	5				
60	0686 9252 86	PLUG	12				
70	0686 9253 13	PLUG	2				

---

# STANDARD

## POWER SUPPLY BOX ASSEMBLY

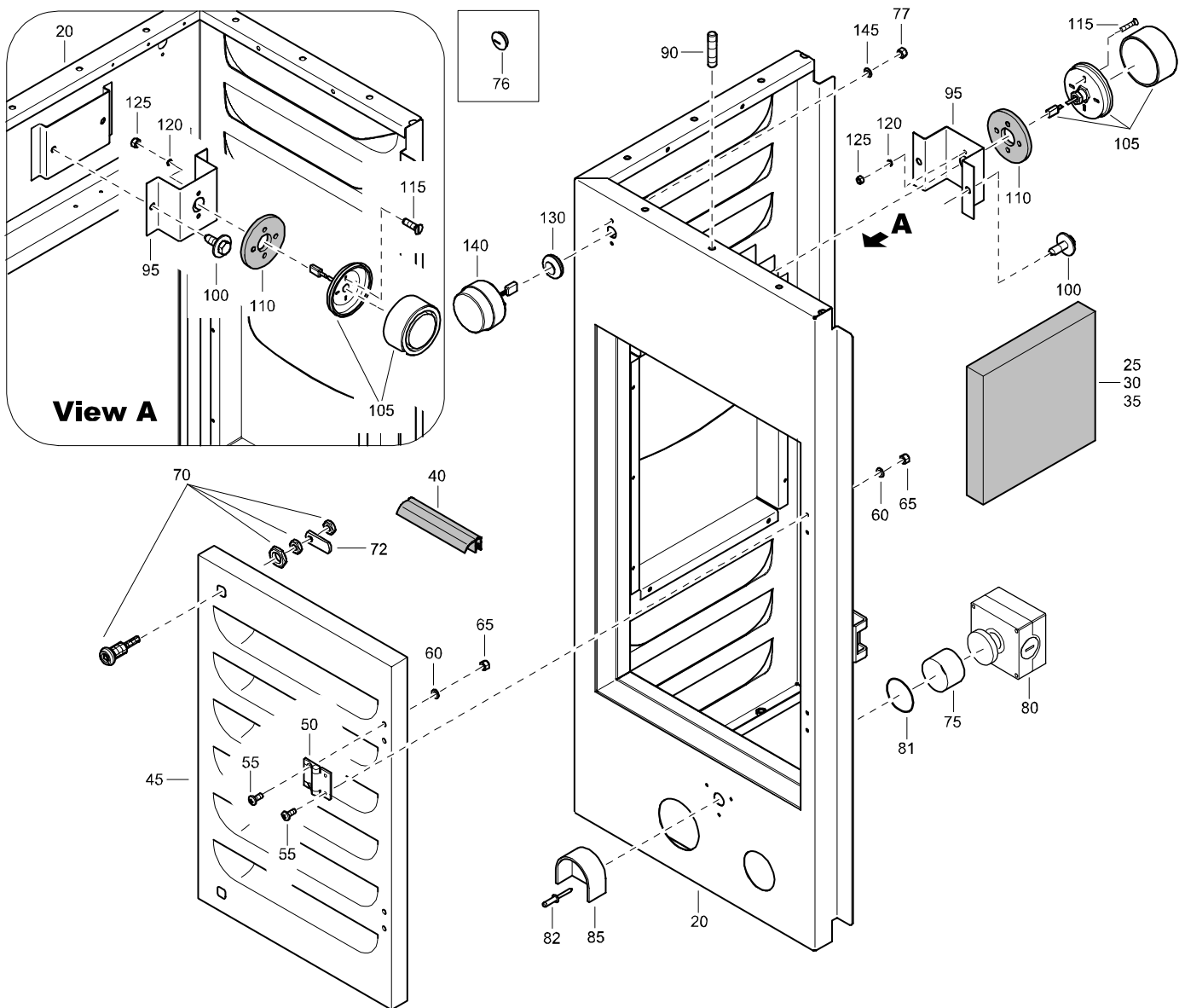
---



REF	PART NUMBER	DESIGNATION	QTY	REF	PART NUMBER	DESIGNATION	QTY
-	1604 2124 81	POWER SUPPLY BOX ASSY(From page 58)					
•10	1604 2124 04	POWER SUPPLY BOX	1				
•20	1604 2153 01	LID OF POWER SUPPLY BOX	1				
•30	0301 2321 00	PLAIN WASHER	4				
•40	0147 1249 03	HEX. HEAD SCREW	4				
•50	1088 1001 02	WARNING MARK	1				

# STANDARD

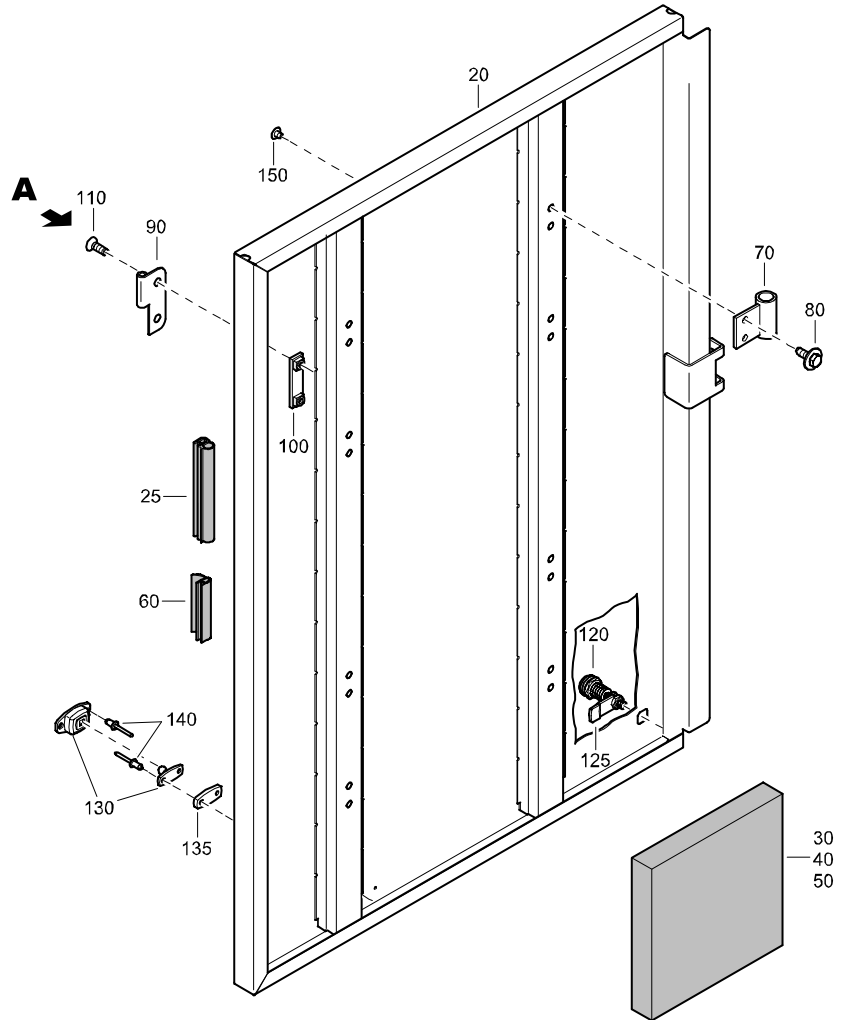
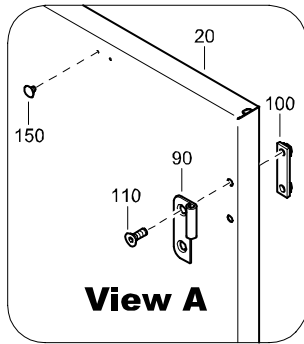
## CORNER ASSEMBLY NOT FOR NORTHERN COUNTRIES



REF	PART NUMBER	DESIGNATION	QTY	REF	PART NUMBER	DESIGNATION	QTY
-	1604 2452 88	CORNER ASSY	(From page 56)	•110	1604 0996 00	SEAL	1
•20	1604 2452 07	CORNER PANEL	1	•115	0162 4174 00	SLOTTED SCREW	2
•25	-	SILENCING FOAM (50 mm)	1	•120	0333 3214 00	LOCK WASHER	2
•30	-	SILENCING FOAM (50 mm)	2	•125	0266 2106 00	HEXAGON NUT	2
•35	-	SILENCING FOAM (50 mm)	1	•130	1088 0801 22	GROMMET	1
•40	1619 2665 00	SEAL	AR	•140	1089 9429 10	FLASH LIGHT	1
•45	1604 2470 02	DOOR	1	•145	0301 2321 00	PLAIN WASHER	2
•50	1604 7601 00	HINGE	2	-	1079 0003 33	SILENCING FOAM	
•55	0160 0996 91	CROSS REC SCREW	8			2000 mm x 1500 mm x 50 mm	
•60	0301 2318 00	PLAIN WASHER	8				
•65	0266 2107 00	HEXAGON NUT	8				
•70	1604 2519 01	LOCK	2				
•72	1604 3743 00	LATCH	2				
•75	1089 0362 99	HOLDER	1				
•76	0697 9810 25	PLUG	1				
•77	0697 9809 20	LOCK NUT	1				
•80	1089 9422 07	EMERGENCY STOP	1				
•81	0663 6127 00	O-RING	1				
•82	0129 3108 00	BLIND RIVET	3				
•85	1089 0362 28	PROTECTIVE COLLAR	1				
•90	0246 1956 35	STUD	4				
•95	1604 2800 01	BRACKET	1				
•100	1615 5664 00	HEX. HEAD SCREW	2				
•105	1089 9430 01	HORN	1				

# STANDARD

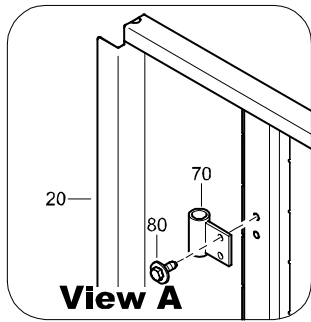
## DOOR ASSEMBLY FOR COMPRESSOR WITH NOISE REGULATION CE



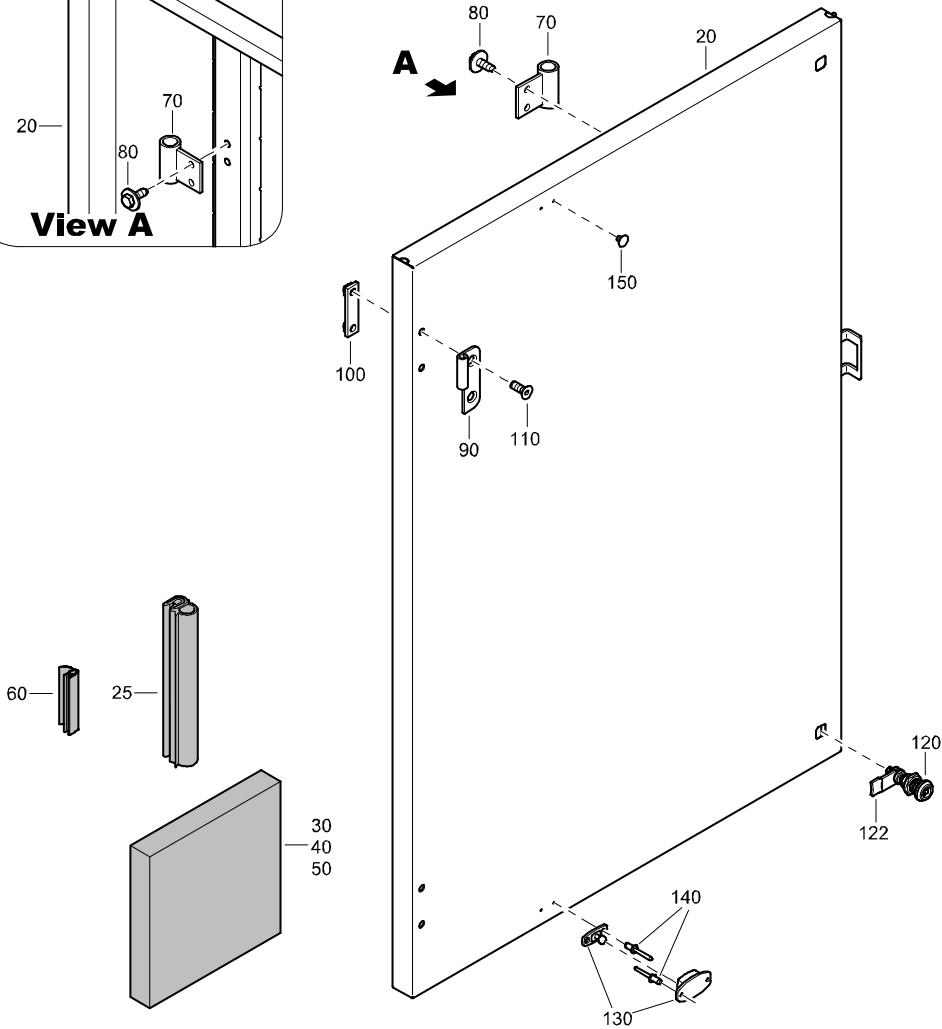
REF	PART NUMBER	DESIGNATION	QTY	REF	PART NUMBER	DESIGNATION	QTY
-	1604 2454 84	DOOR ASSY	(From page 78)				
•20	1604 2454 01	DOOR	1				
•25	1619 6858 00	SEAL	AR				
•30	-	SILENCING FOAM (50 mm)	1				
•40	-	SILENCING FOAM (50 mm)	1				
•50	-	SILENCING FOAM (50 mm)	1				
•60	1619 2665 00	SEAL	AR				
•70	1604 2467 00	SUPPORT	4				
•80	1615 5664 00	HEX. HEAD SCREW	8				
•90	1604 3431 00	HINGE	2				
•100	1615 5684 00	BRACKET	2				
•110	0216 1324 03	HEX SOCK. SCREW	4				
•120	1604 2519 01	LOCK	2				
•125	1604 3743 00	LATCH	2				
•130	1619 1663 00	DOOR HOOK	1				
•135	1604 9594 00	SPACER	1				
•140	0129 3117 00	BLIND RIVET	2				
•150	0686 9252 87	PLUG	2				
-	1079 0003 33	SILENCING FOAM 2000 mm x 1500 mm x 50 mm					

# STANDARD

## DOOR ASSEMBLY FOR COMPRESSOR WITHOUT AFTERCOOLER WITH NOISE REGULATION CE



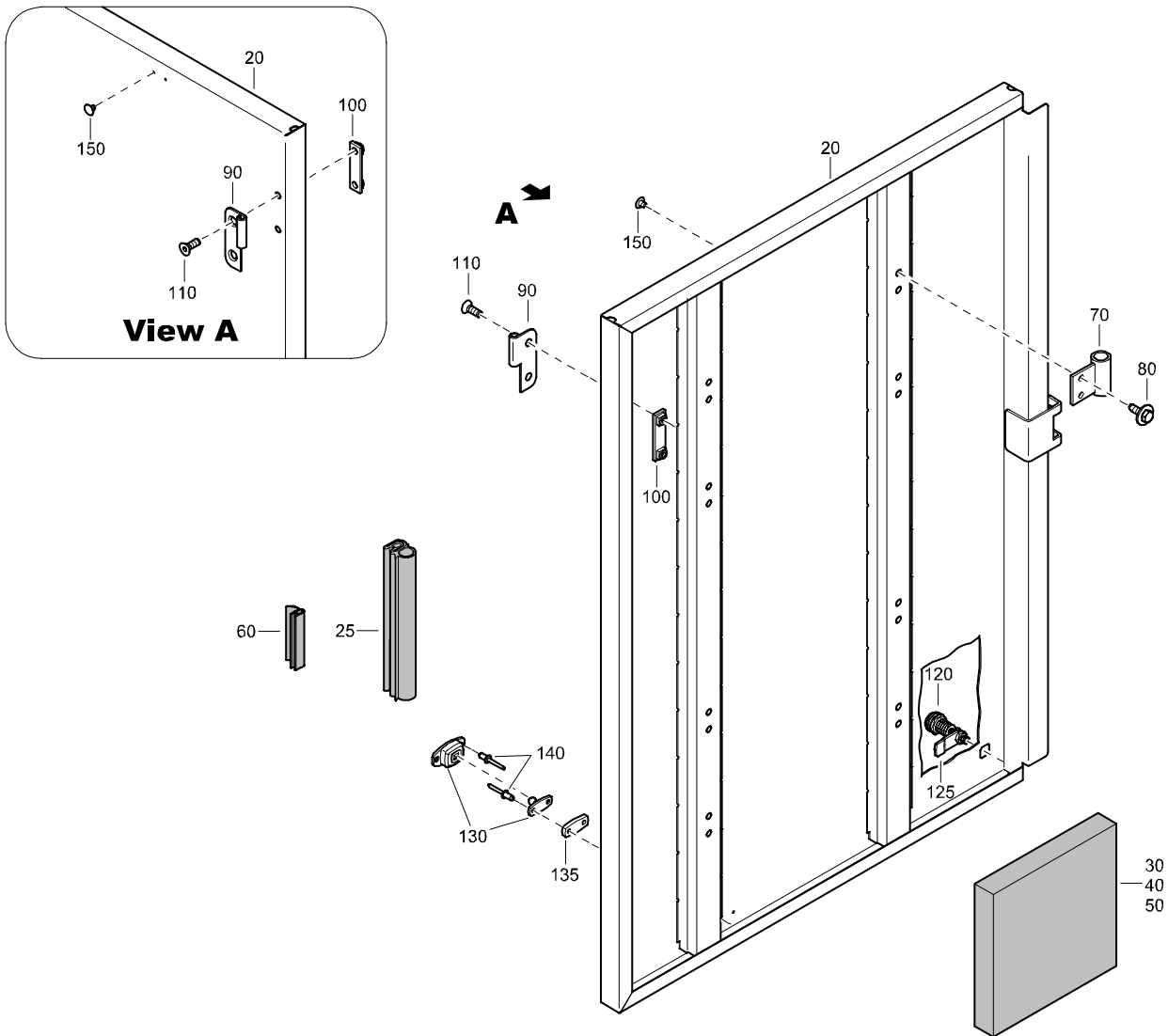
**View A**



REF	PART NUMBER	DESIGNATION	QTY	REF	PART NUMBER	DESIGNATION	QTY
-	1604 2454 85	DOOR ASSY	(From page 74)				
•20	1604 2454 01	DOOR	1				
•25	1619 6858 00	SEAL	AR				
•30	-	SILENCING FOAM (50 mm)	1				
•40	-	SILENCING FOAM (50 mm)	1				
•50	-	SILENCING FOAM (50 mm)	1				
•60	1619 2665 00	SEAL	AR				
•70	1604 2467 00	SUPPORT	4				
•80	1615 5664 00	SCRAPER BOLT	8				
•90	1604 3429 00	HINGE	2				
•100	1615 5684 00	BRACKET	2				
•110	0216 1324 03	HEX SOCK. SCREW	4				
•120	1604 2519 01	LOCK	2				
•122	1604 3743 00	LATCH	2				
•130	1619 1663 00	DOOR HOOK	1				
•140	0129 3270 17	BLIND RIVET	2				
•150	0686 9252 87	PLUG	2				
-	1079 0003 33	SILENCING FOAM 2000 mm x 1500 mm x 50 mm					

# STANDARD

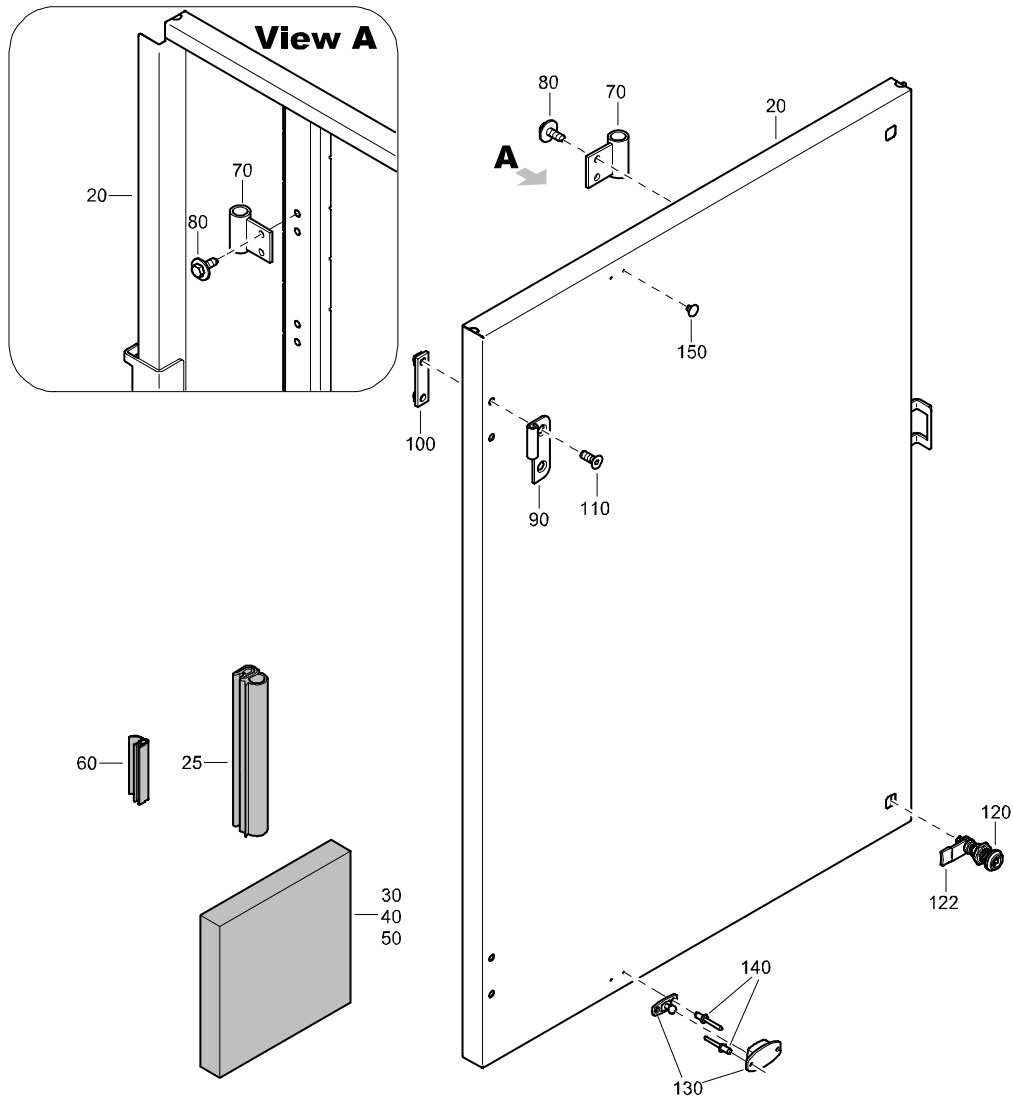
## DOOR ASSEMBLY FOR COMPRESSOR WITH NOISE REGULATION NOT CE



REF	PART NUMBER	DESIGNATION	QTY	REF	PART NUMBER	DESIGNATION	QTY
-	1604 2454 86	DOOR ASSY	(From page 80)				
•20	1604 2454 01	DOOR	1				
•25	1619 6858 00	SEAL	AR				
•30	-	SILENCING FOAM (50 mm)	1				
•40	-	SILENCING FOAM (50 mm)	1				
•50	-	SILENCING FOAM (50 mm)	1				
•60	1619 2665 00	SEAL	AR				
•70	1604 2467 00	SUPPORT	4				
•80	1615 5664 00	HEX. HEAD SCREW	8				
•90	1604 3431 00	HINGE	2				
•100	1615 5684 00	BRACKET	2				
•110	0216 1324 03	HEX SOCK. SCREW	4				
•120	1604 2519 01	LOCK	2				
•125	1604 3743 00	LATCH	2				
•130	1619 1663 00	DOOR HOOK	1				
•135	1604 9594 00	SPACER	1				
•140	0129 3117 00	BLIND RIVET	2				
•150	0686 9252 87	PLUG	2				
-	1079 0003 33	SILENCING FOAM 2000 mm x 1500 mm x 50 mm					

# STANDARD

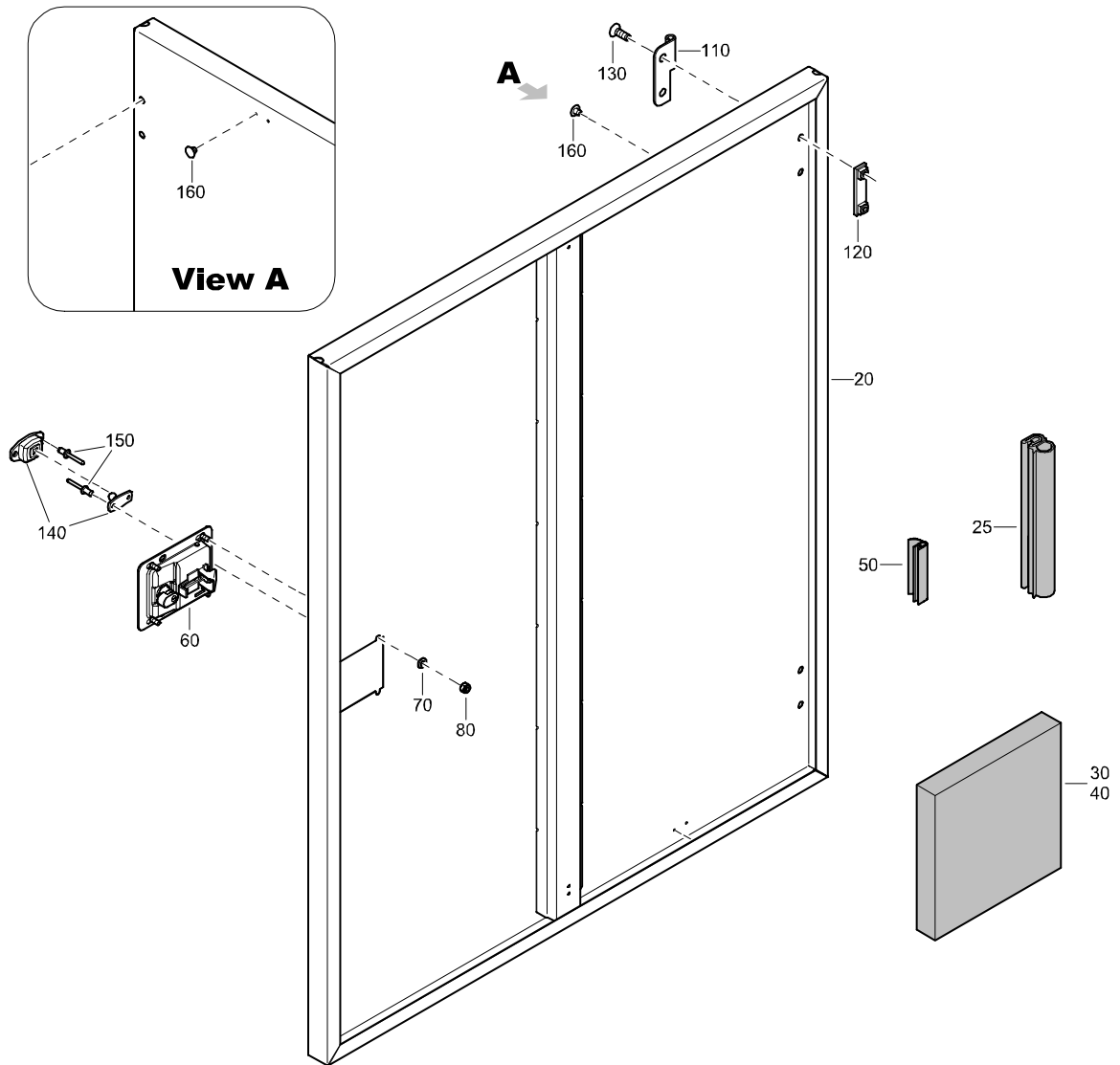
## DOOR ASSEMBLY



REF	PART NUMBER	DESIGNATION	QTY	REF	PART NUMBER	DESIGNATION	QTY
-	1604 2454 87	DOOR ASSY					
		(From page 80, 202, 204, 206, 208, 210, 212)					
•20	1604 2454 01	DOOR	1				
•25	1619 6858 00	SEAL	AR				
•30	-	SILENCING FOAM (50 mm)	1				
•40	-	SILENCING FOAM (50 mm)	1				
•50	-	SILENCING FOAM (50 mm)	1				
•60	1619 2665 00	SEAL	AR				
•70	1604 2467 00	SUPPORT	4				
•80	1615 5664 00	SCRAPER BOLT	8				
•90	1604 3429 00	HINGE	2				
•100	1615 5684 00	BRACKET	2				
•110	0216 1324 03	HEX SOCK. SCREW	4				
•120	1604 2519 01	LOCK	2				
•122	1604 3743 00	LATCH	2				
•130	1619 1663 00	DOOR HOOK	1				
•140	0129 3270 17	BLIND RIVET	2				
•150	0686 9252 87	PLUG	2				
-	1079 0003 33	SILENCING FOAM					
		2000 mm x 1500 mm x 50 mm					

# STANDARD

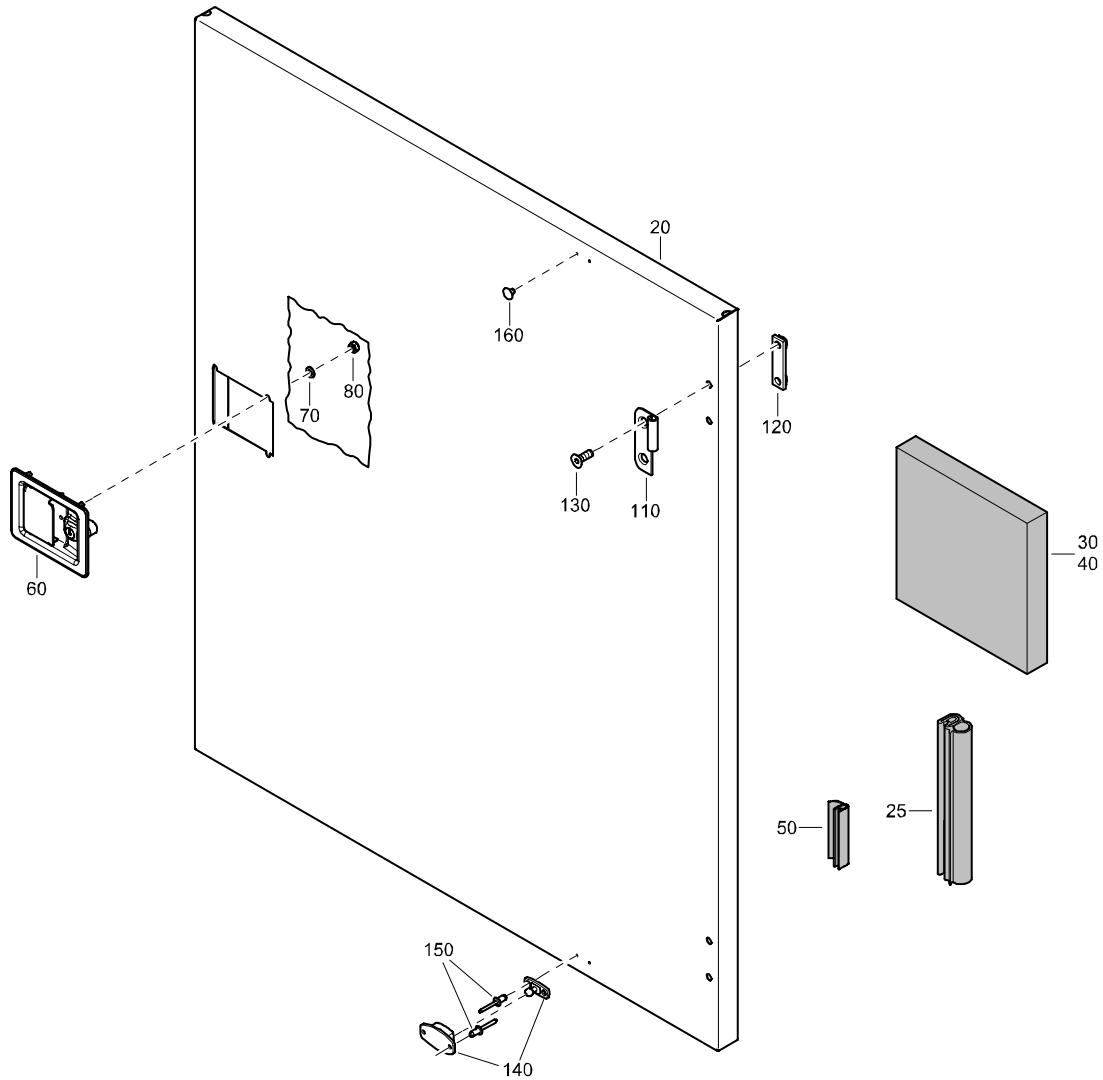
## DOOR ASSEMBLY



REF	PART NUMBER	DESIGNATION	QTY	REF	PART NUMBER	DESIGNATION	QTY
-	1604 2456 80	DOOR ASSY	(From page 52)				
•20	1604 2456 00	DOOR	1				
•25	1619 6858 00	SEAL	AR				
•30	-	SILENCING FOAM (50 mm)	1				
•40	-	SILENCING FOAM (50 mm)	1				
•50	1619 2665 00	SEAL	AR				
•60	1615 6967 03	HANDLE	1				
•70	0301 2321 00	PLAIN WASHER	4				
•80	0291 1108 00	LOCKNUT	4				
•110	1604 3429 00	HINGE	2				
•120	1615 5684 00	BRACKET	2				
•130	0216 1324 03	HEX SOCK. SCREW	4				
•140	1619 1663 00	DOOR HOOK	1				
•150	0129 3270 17	BLIND RIVET	2				
•160	0686 9252 87	PLUG	2				
-	1079 0003 33	SILENCING FOAM 2000 mm x 1500 mm x 50 mm					

# STANDARD

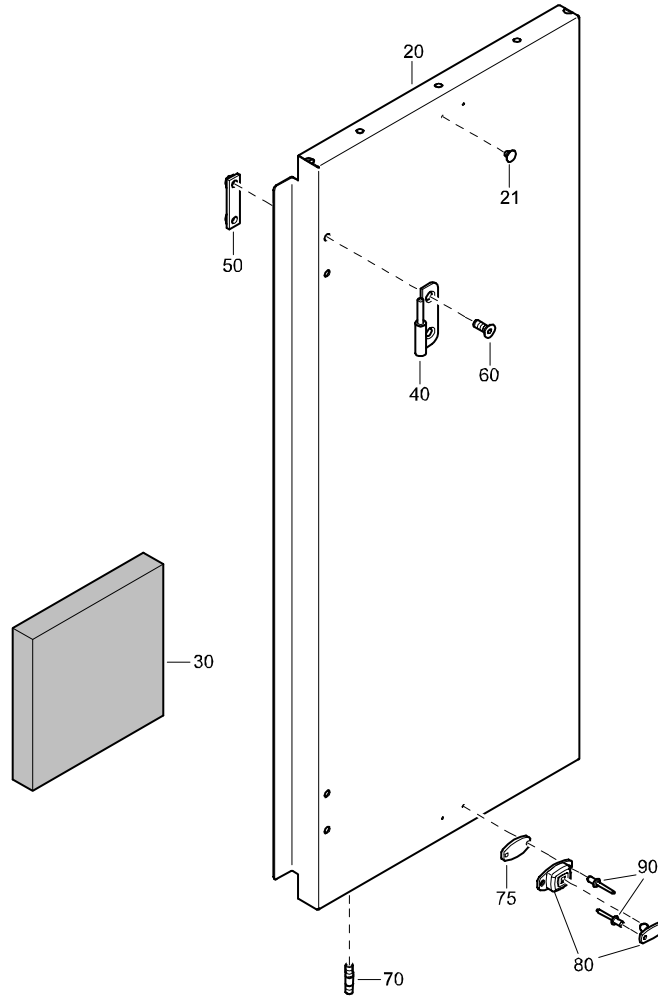
## DOOR ASSEMBLY



REF	PART NUMBER	DESIGNATION	QTY	REF	PART NUMBER	DESIGNATION	QTY
-	1604 2456 81	DOOR ASSY	(From page 52)				
•20	1604 2456 00	DOOR	1				
•25	1619 6858 00	SEAL	AR				
•30	-	SILENCING FOAM (50 mm)	1				
•40	-	SILENCING FOAM (50 mm)	1				
•50	1619 2665 00	SEAL	AR				
•60	1615 6967 03	HANDLE	1				
•70	0301 2321 00	PLAIN WASHER	4				
•80	0291 1108 00	LOCKNUT	4				
•110	1604 3431 00	HINGE	2				
•120	1615 5684 00	BRACKET	2				
•130	0216 1324 03	HEX SOCK. SCREW	4				
•140	1619 1663 00	DOOR HOOK	1				
•150	0129 3270 17	BLIND RIVET	2				
•160	0686 9252 87	PLUG	2				
-	1079 0003 33	SILENCING FOAM 2000 mm x 1500 mm x 50 mm					

# STANDARD

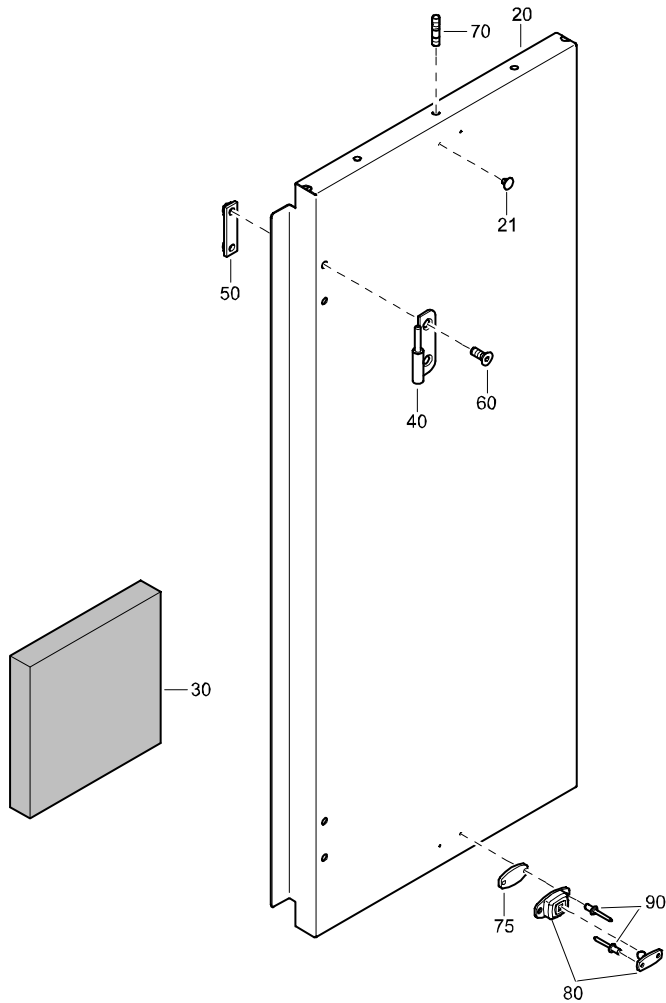
## PANEL ASSEMBLY



REF	PART NUMBER	DESIGNATION	QTY	REF	PART NUMBER	DESIGNATION	QTY
-	1604 2460 83	PANEL ASSY	(From page 52)				
•20	1604 2460 01	PANEL	1				
•21	0686 9252 87	PLUG	2				
•30	-	SILENCING FOAM (50 mm)	1				
•40	1604 3430 00	HINGE	2				
•50	1615 5684 00	BRACKET	2				
•60	0216 1324 03	HEX SOCK. SCREW	4				
•70	0246 1956 35	STUD	2				
•75	1604 4390 00	SPACER	1				
•80	1619 1663 00	DOOR HOOK	1				
•90	0129 3117 00	BLIND RIVET	2				
-	1079 0003 33	SILENCING FOAM 2000 mm x 1500 mm x 50 mm					

# STANDARD

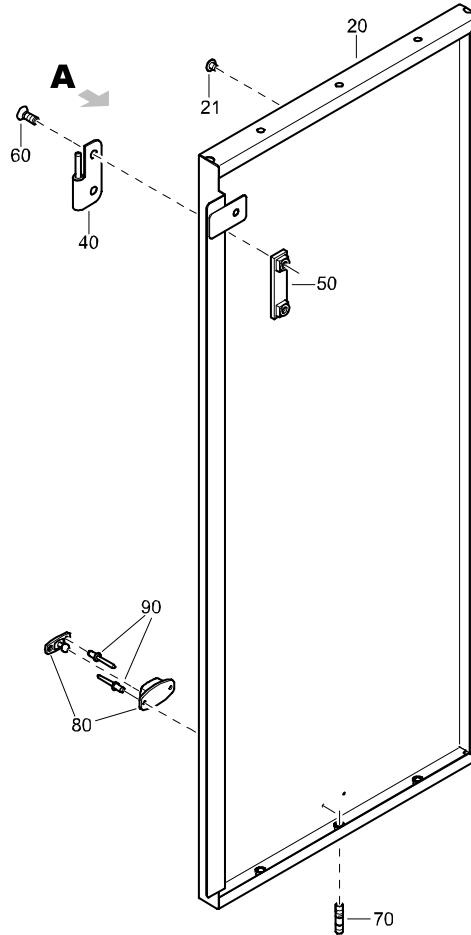
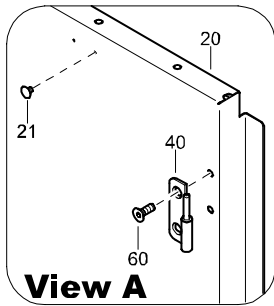
## PANEL ASSEMBLY



REF	PART NUMBER	DESIGNATION	QTY	REF	PART NUMBER	DESIGNATION	QTY
-	1604 2460 84	PANEL ASSY	(From page 52)				
•20	1604 2460 02	PANEL	1				
•21	0686 9252 87	PLUG	2				
•30	-	SILENCING FOAM (50 mm)	1				
•40	1604 3430 00	HINGE	2				
•50	1615 5684 00	BRACKET	2				
•60	0216 1324 03	HEX SOCK. SCREW	4				
•70	0246 1956 35	STUD	2				
•75	1604 4390 00	SPACER	1				
•80	1619 1663 00	DOOR HOOK	1				
•90	0129 3117 00	BLIND RIVET	2				
-	1079 0003 33	SILENCING FOAM 2000 mm x 1500 mm x 50 mm					

# STANDARD

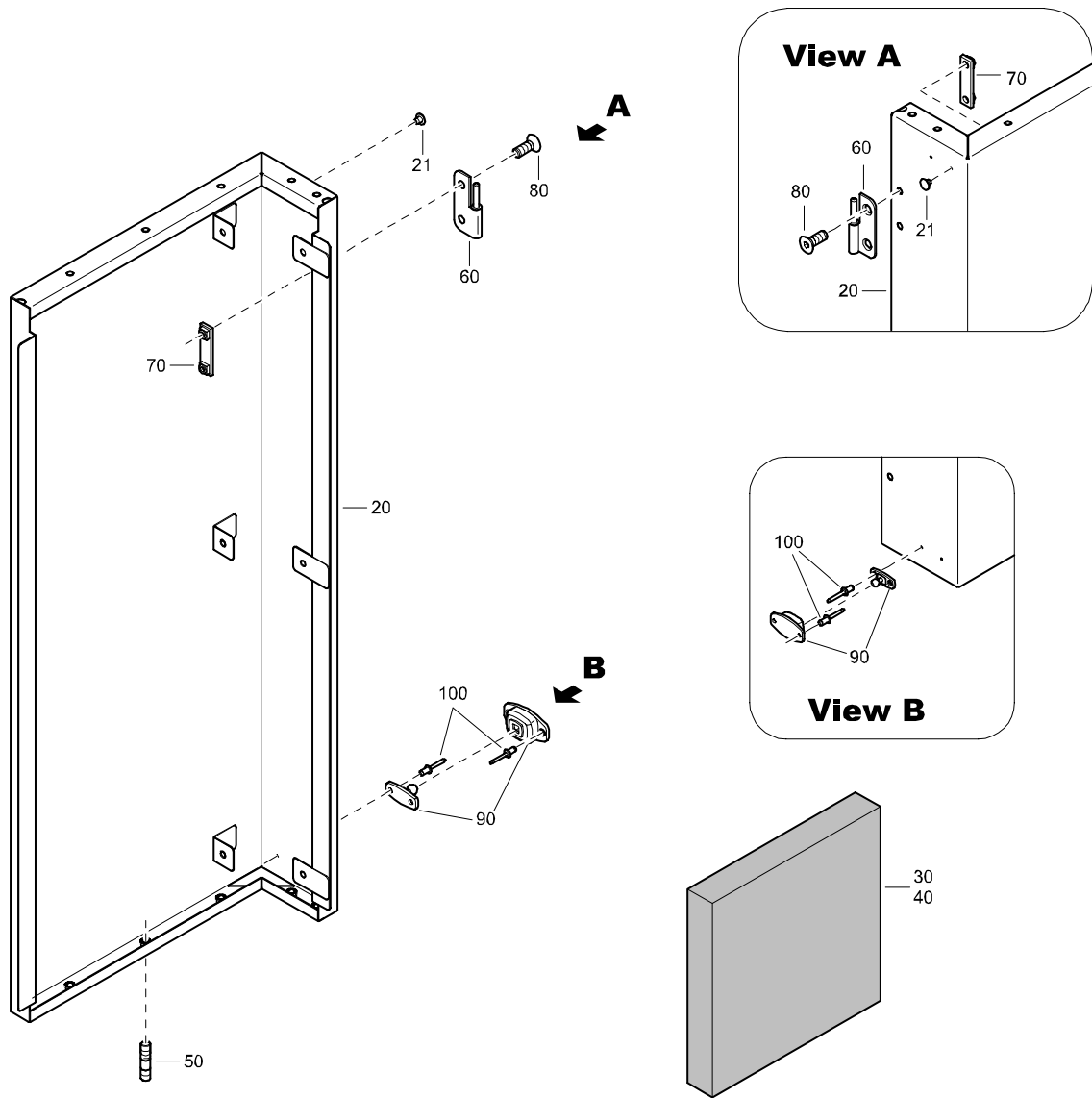
## PANEL ASSEMBLY



REF	PART NUMBER	DESIGNATION	QTY	REF	PART NUMBER	DESIGNATION	QTY
-	1604 2460 85	PANEL ASSY	(From page 52)				
•20	1604 2460 02	PANEL	1				
•21	0686 9252 87	PLUG	2				
•30	-	SILENCING FOAM (50 mm)	1				
•40	1604 3428 00	HINGE	2				
•50	1615 5684 00	BRACKET	2				
•60	0216 1324 03	HEX SOCK. SCREW	4				
•70	0246 1956 35	STUD	2				
•80	1619 1663 00	DOOR HOOK	1				
•90	0129 3270 17	BLIND RIVET	2				
-	1079 0003 33	SILENCING FOAM 2000 mm x 1500 mm x 50 mm					

# STANDARD

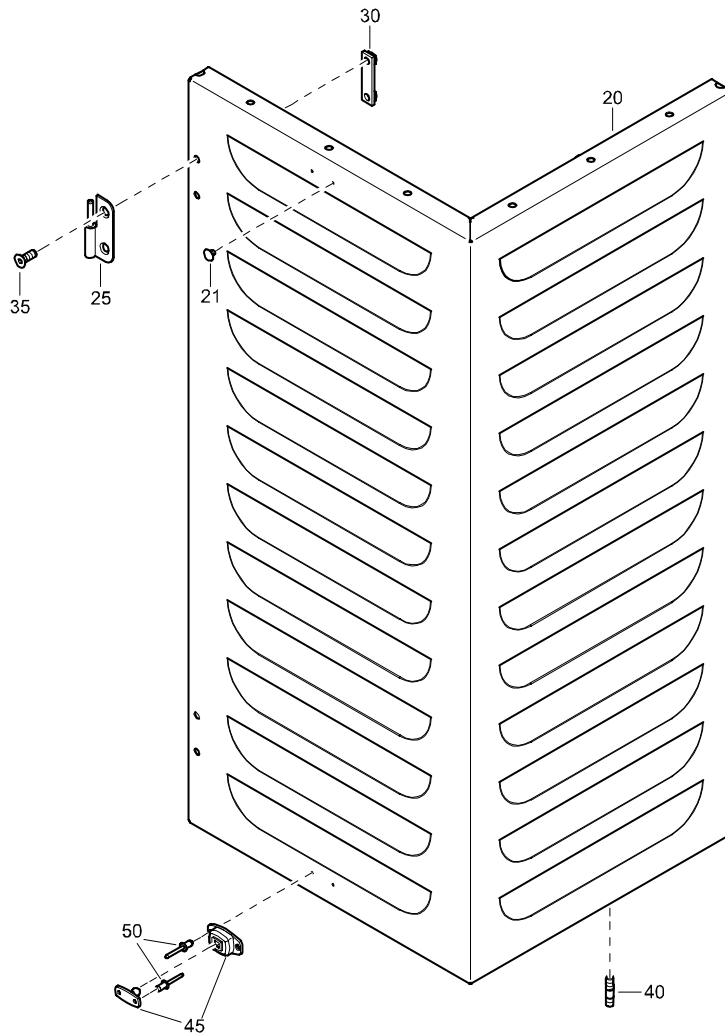
## PANEL



REF	PART NUMBER	DESIGNATION	QTY	REF	PART NUMBER	DESIGNATION	QTY
-	1604 2465 85	PANEL	(From page 52)				
•20	1604 2465 01	PANEL	1				
•21	0686 9252 87	PLUG	2				
•30	-	SILENCING FOAM (50 mm)	1				
•40	-	SILENCING FOAM (50 mm)	1				
•50	0246 1956 35	STUD	4				
•60	1604 3430 00	HINGE	2				
•70	1615 5684 00	BRACKET	2				
•80	0216 1324 03	HEX SOCK, SCREW	4				
•90	1619 1663 00	DOOR HOOK	1				
•100	0129 3270 17	BLIND RIVET	2				
-	1079 0003 33	SILENCING FOAM 2000 mm x 1500 mm x 50 mm					

# STANDARD

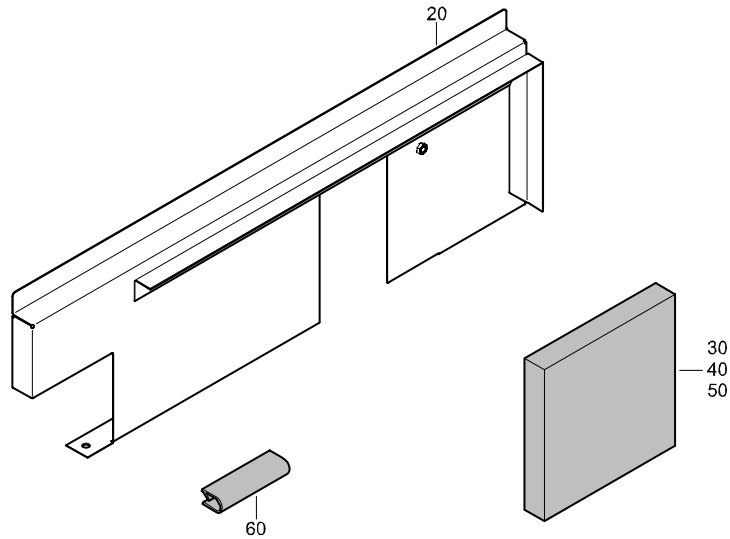
## CORNER ASSEMBLY FOR COMPRESSOR WITHOUT AFTERCOOLER



REF	PART NUMBER	DESIGNATION	QTY	REF	PART NUMBER	DESIGNATION	QTY
-	1604 2468 80	CORNER ASSY	(From page 74, 75)				
•20	1604 2468 00	PANEL	1				
•21	0686 9252 87	PLUG	2				
•25	1604 3430 00	HINGE	2				
•30	1615 5684 00	BRACKET	2				
•35	0216 1324 03	HEX SOCK. SCREW	4				
•40	0246 1956 35	STUD	4				
•45	1619 1663 00	DOOR HOOK	1				
•50	0129 3270 17	BLIND RIVET	2				

# STANDARD

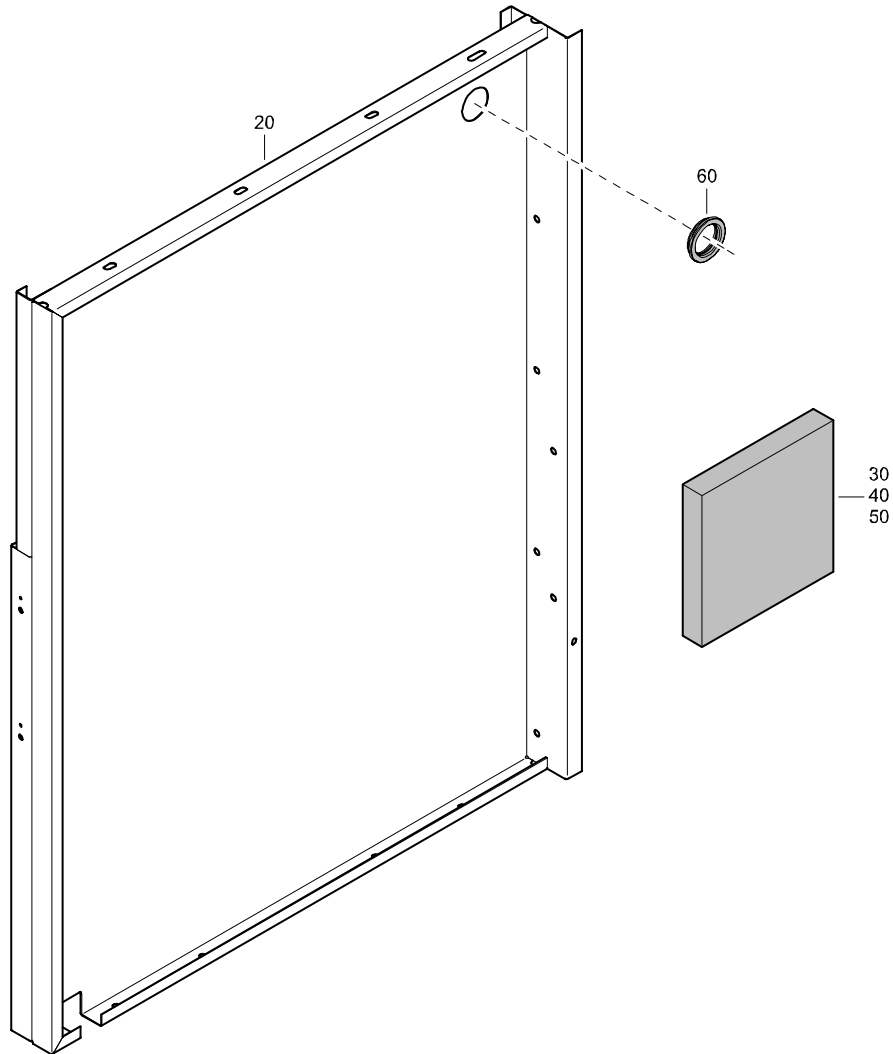
## PANEL ASSEMBLY FOR COMPRESSOR WITH NOISE REGULATION CE



REF	PART NUMBER	DESIGNATION	QTY	REF	PART NUMBER	DESIGNATION	QTY
-	1604 2475 86	PANEL ASSY	(From page 78)				
•20	1604 2475 05	PANEL	1				
•30	-	SILENCING FOAM (30 mm)	1				
•40	-	SILENCING FOAM (50 mm)	1				
•50	-	SILENCING FOAM (50 mm)	1				
•60	1503 1056 00	SEAL	AR				
-	1079 0003 32	SILENCING FOAM 2000 mm x 1500 mm x 30 mm					
-	1079 0003 33	SILENCING FOAM 2000 mm x 1500 mm x 50 mm					

# STANDARD

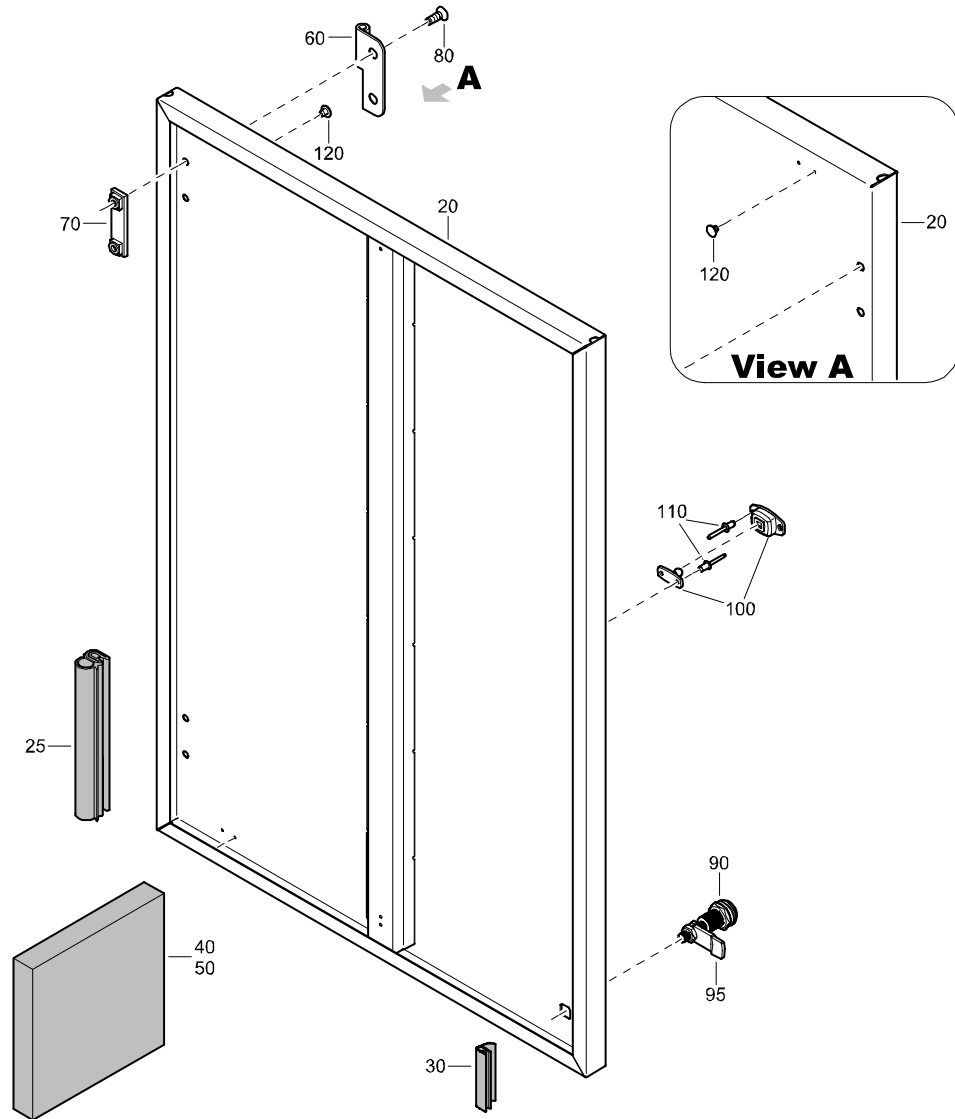
## PANEL ASSEMBLY FOR COMPRESSOR WITHOUT AFTERCOOLER



REF	PART NUMBER	DESIGNATION	QTY	REF	PART NUMBER	DESIGNATION	QTY
-	1604 2477 84	PANEL ASSY	(From page 74, 75)				
•20	1604 2477 04	PANEL ASSY	1				
•30	-	SILENCING FOAM (30 mm)	1				
•40	-	SILENCING FOAM (50 mm)	1				
•50	-	INSULATION SILENCING FOAM (30 mm)	1				
•60	1604 0383 00	SEAL (OIL SEPARATOR)	1				
-	1079 0003 32	SILENCING FOAM 2000 mm x 1500 mm x 30 mm					
-	1079 0003 33	SILENCING FOAM 2000 mm x 1500 mm x 50 mm					

# STANDARD

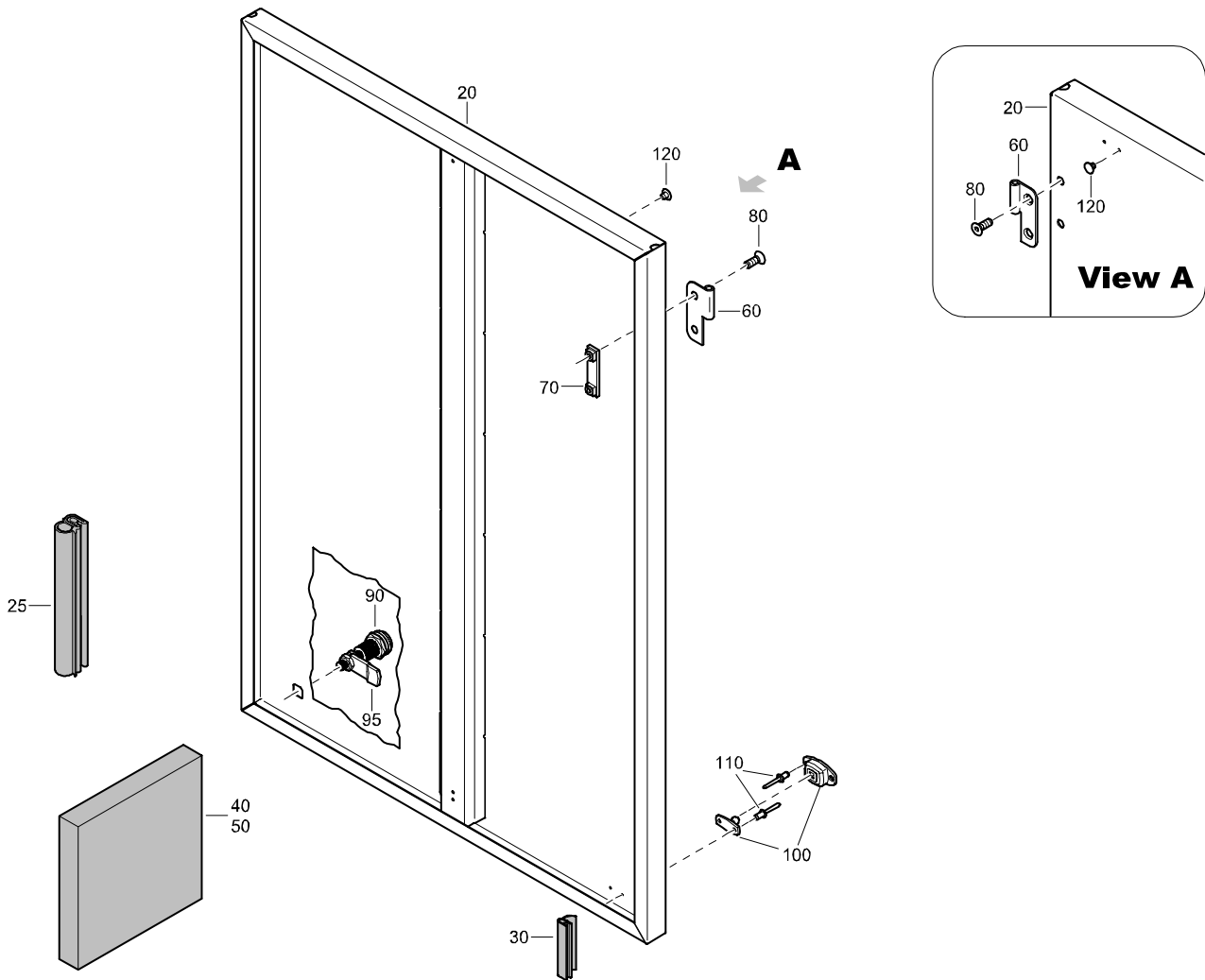
## DOOR ASSEMBLY



REF	PART NUMBER	DESIGNATION	QTY	REF	PART NUMBER	DESIGNATION	QTY
-	1604 2487 84	DOOR ASSY	(From page 52)				
•20	1604 2487 02	DOOR	1				
•25	1619 6858 00	SEAL	AR				
•30	1619 2665 00	SEAL	AR				
•40	-	SILENCING FOAM (50 mm)	1				
•50	-	SILENCING FOAM (50 mm)	1				
•60	1604 3431 00	HINGE	2				
•70	1615 5684 00	BRACKET	2				
•80	0216 1324 03	HEX SOCKET SCREW	4				
•90	1604 2519 01	LOCK	2				
•95	1604 3743 00	LATCH	2				
•100	1619 1663 00	DOOR HOOK	1				
•110	0129 3270 17	BLIND RIVET	2				
•120	0686 9252 87	PLUG	2				
-	1079 0003 33	SILENCING FOAM 2000 mm x 1500 mm x 50 mm					

# STANDARD

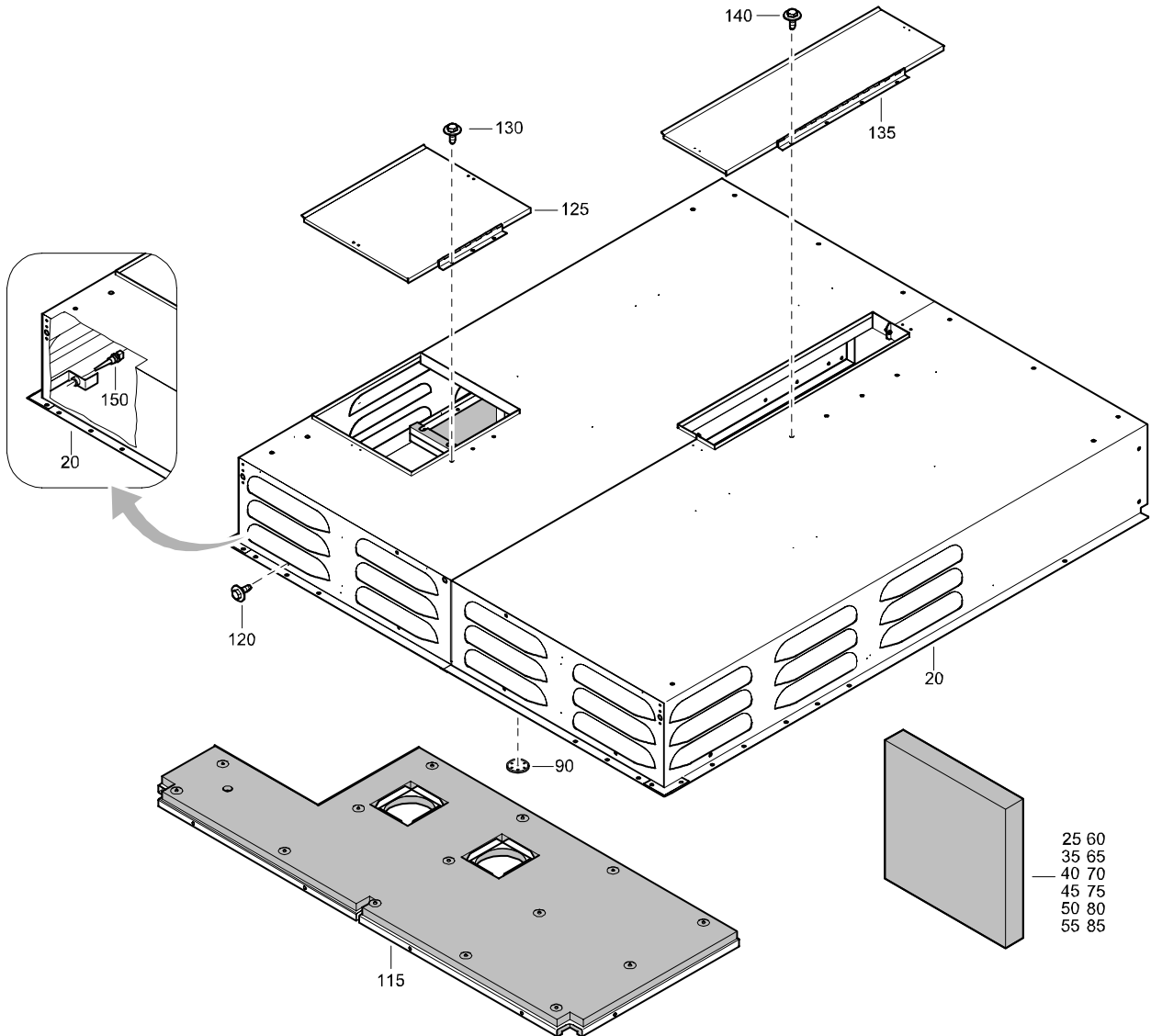
## DOOR ASSEMBLY



REF	PART NUMBER	DESIGNATION	QTY	REF	PART NUMBER	DESIGNATION	QTY
-	1604 2487 85	DOOR ASSY	(From page 52)				
•20	1604 2487 02	DOOR	1				
•25	1619 6858 00	SEAL	AR				
•30	1619 2665 00	SEAL	AR				
•40	-	SILENCING FOAM (50 mm)	1				
•50	-	SILENCING FOAM (50 mm)	1				
•60	1604 3429 00	HINGE	2				
•70	1615 5684 00	BRACKET	2				
•80	0216 1324 03	HEX SOCK. SCREW	4				
•90	1604 2519 01	LOCK	2				
•95	1604 3743 00	LATCH	2				
•100	1619 1663 00	DOOR HOOK	1				
•110	0129 3270 17	BLIND RIVET	2				
•120	0686 9252 87	PLUG	2				
-	1079 0003 33	SILENCING FOAM 2000 mm x 1500 mm x 50 mm					

# STANDARD

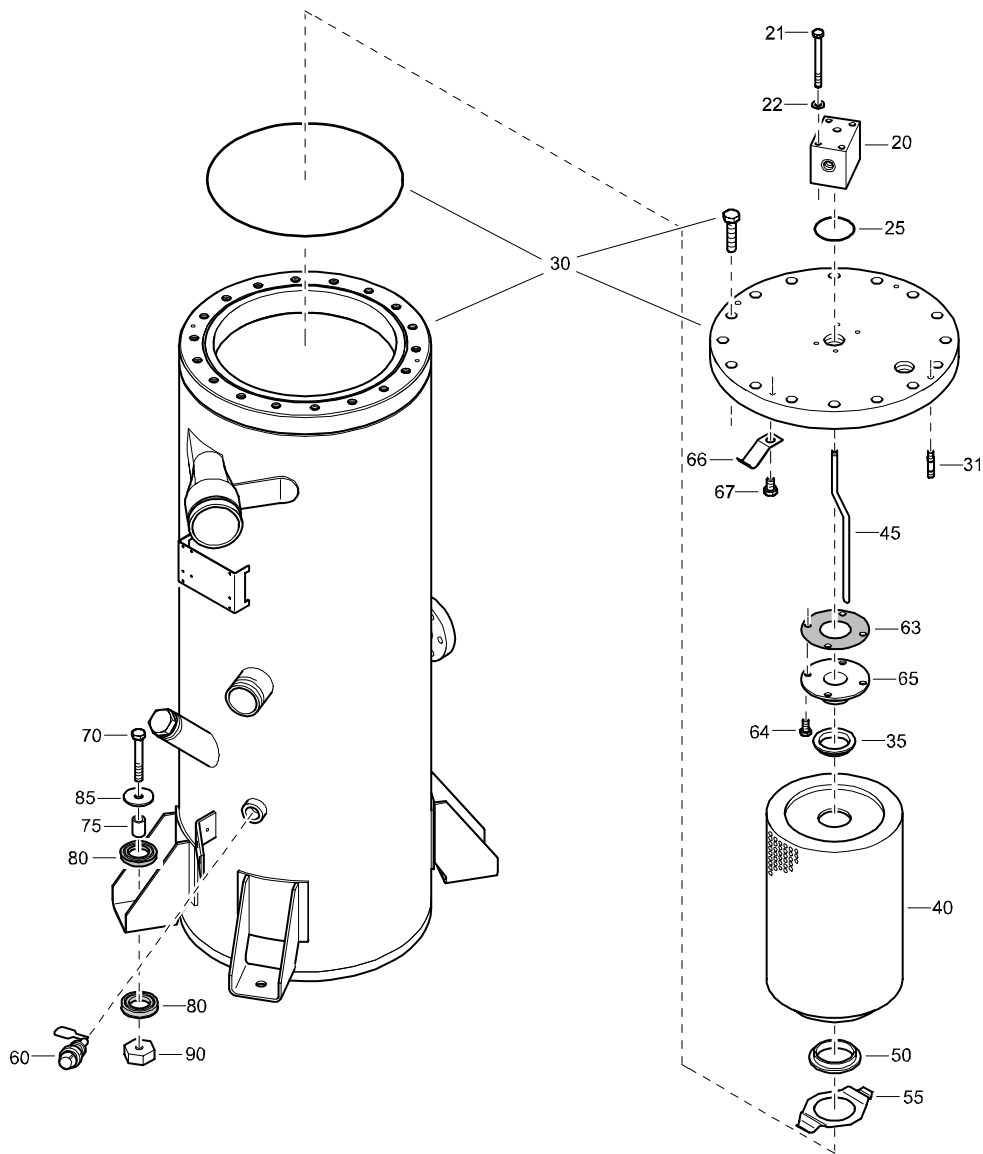
## REAR ROOF ASSEMBLY FOR COMPRESSOR WITH NOISE REGULATION CE



REF	PART NUMBER	DESIGNATION	QTY	REF	PART NUMBER	DESIGNATION	QTY
-	1604 2493 87	ROOF ASSY REAR <a href="#">(From page 78)</a>		•140	1615 5664 00	HEX. HEAD SCREW	4
•20	1604 2493 06	ROOF REAR	1	•150	1089 0574 70	TEMP.SENSOR	1
•25	-	INSULATION SILENCING FOAM (50 mm)	1				
•35	-	SILENCING FOAM (50 mm)	1				
•40	-	SILENCING FOAM (30 mm)	2				
•45	-	SILENCING FOAM (30 mm)	4	-	1079 0003 32	SILENCING FOAM 2000 mm x 1500 mm x 30 mm	
•50	-	SILENCING FOAM (50 mm)	1				
•55	-	SILENCING FOAM (50 mm)	2	-	1079 0003 33	SILENCING FOAM 2000 mm x 1500 mm x 50 mm	
•60	-	SILENCING FOAM (50 mm)	2				
•65	-	SILENCING FOAM (30 mm)	2				
•70	-	SILENCING FOAM (30 mm)	2				
•75	-	SILENCING FOAM (30 mm)	2				
•80	-	SILENCING FOAM (50 mm)	1				
•85	-	SILENCING FOAM (30 mm)	2				
•90	1615 7884 00	CLIP	128				
•115	1604 7736 81	ROOF ASSY INNER <a href="#">(For details see page 135)</a>	1				
•120	1604 3423 00	SCRAPER BOLT	8				
•125	1604 2515 84	DOOR ASSY <a href="#">(For details see page 124)</a>	1				
•130	1615 5664 00	HEX. HEAD SCREW	3				
•135	1604 2513 84	DOOR ASSY <a href="#">(For details see page 124)</a>	1				

# STANDARD

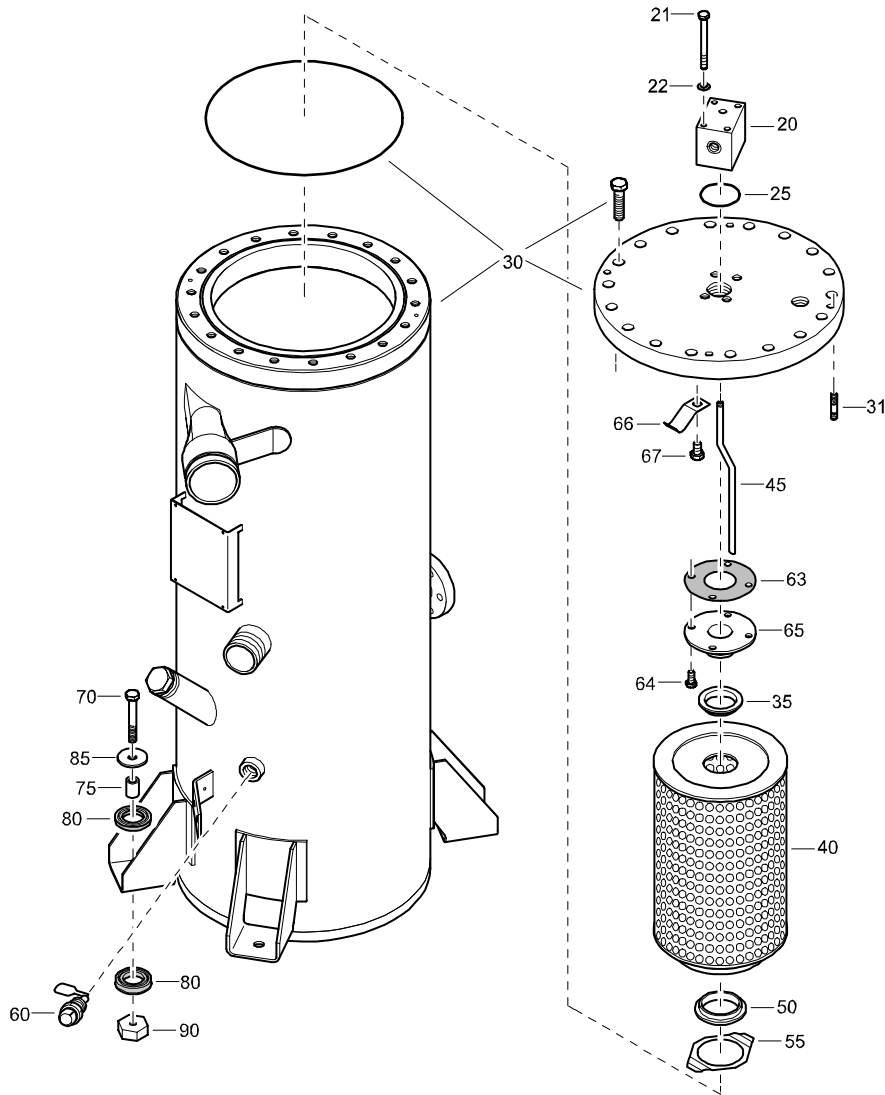
## OILSEPERATOR ASSEMBLY EC



REF	PART NUMBER	DESIGNATION	QTY	REF	PART NUMBER	DESIGNATION	QTY
-	1604 2532 92	OILSEP. ASSY EC	(From page 83)	•75	0324 1000 27	DISTANCE SLEEVE	4
•20	1604 2594 04	ADAPTER	1	•80	1604 2725 00	BUFFER	8
•21	0147 1336 03	HEX. HEAD SCREW	4	•85	1604 2726 00	WASHER	4
•22	0301 2335 00	PLAIN WASHER	4	•90	1604 2727 00	WASHER	4
•25	0663 3134 00	O-RING	1				
•30	1604 2531 90	PRESS. VESSEL ASSY EC	1				
		(For details see page 125)					
•31	0246 1956 29	STUD	2				
•35	-	SEAL (OIL SEPARATOR)	1				
		(Part of service kit, see page 30)					
•40	-	OILSEP.ELEMENT	1				
		(Part of service kit, see page 30)					
•45	1604 2535 03	TUBE	1				
•50	-	SEAL (OILSEPARATOR)	1				
		(Part of service kit, see page 30)					
•55	1604 1330 01	RETAINER	1				
•60	1616 5108 00	LEVEL GAUGE	1				
•63	1604 5746 00	GASKET	1				
•64	0147 1322 03	HEX. HEAD SCREW	4				
•65	1604 5757 00	ADAPTER	1				
•66	1604 5745 00	RETAINER	1				
•67	0147 1320 03	HEX. HEAD SCREW	1				
•70	0147 1371 12	HEX. HEAD SCREW	4				

# STANDARD

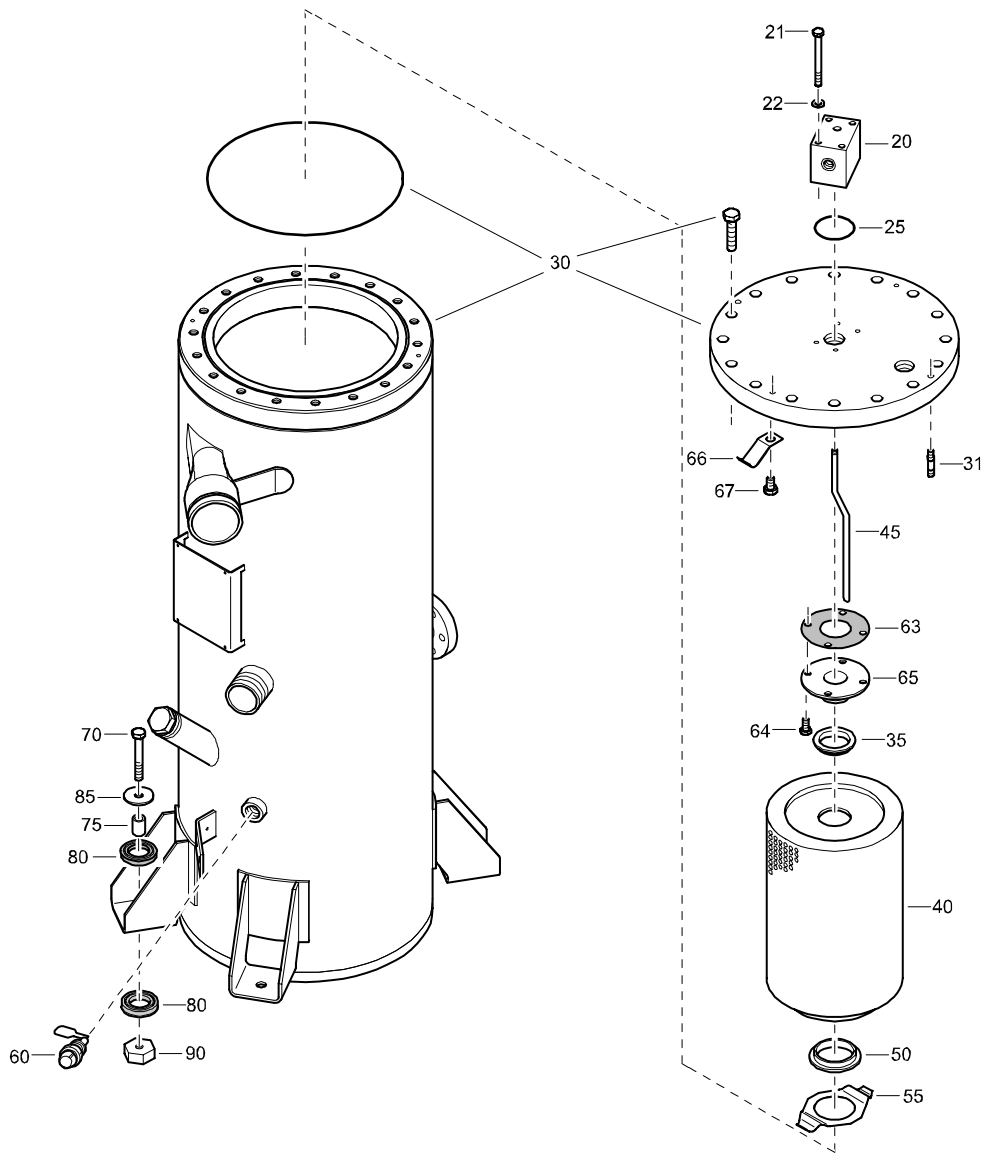
## OILSEPERATOR ASSEMBLY ASME



REF	PART NUMBER	DESIGNATION	QTY	REF	PART NUMBER	DESIGNATION	QTY
-	1604 2532 93	OILSEP. ASSY ASME (From page 84, 197)		•75	0324 1000 27	DISTANCE SLEEVE	4
•20	1604 2594 04	ADAPTER	1	•80	1604 2725 00	BUFFER	8
•21	0147 1336 03	HEX. HEAD SCREW	4	•85	1604 2726 00	WASHER	4
•22	0301 2335 00	PLAIN WASHER	4	•90	1604 2727 00	WASHER	4
•25	0663 3134 00	O-RING	1				
•30	1604 2755 82	PRESS. VESSEL ASSY ASME (For details see page 126)	1				
•31	0246 1956 29	STUD	2				
•35	-	SEAL (OIL SEPARATOR) (Part of service kit, see page 30)	1				
•40	-	OILSEPELEMENT (Part of service kit, see page 30)	1				
•45	1604 2535 03	TUBE	1				
•50	-	SEAL (OILSEPARATOR) (Part of service kit, see page 30)	1				
•55	1604 1330 01	RETAINER	1				
•60	1616 5108 00	LEVEL GAUGE	1				
•63	1604 5746 00	GASKET	1				
•64	0147 1322 03	HEX. HEAD SCREW	4				
•65	1604 5757 00	ADAPTER	1				
•66	1604 5745 00	RETAINER	1				
•67	0147 1320 03	HEX. HEAD SCREW	1				
•70	0147 1371 12	HEX. HEAD SCREW	4				

# STANDARD

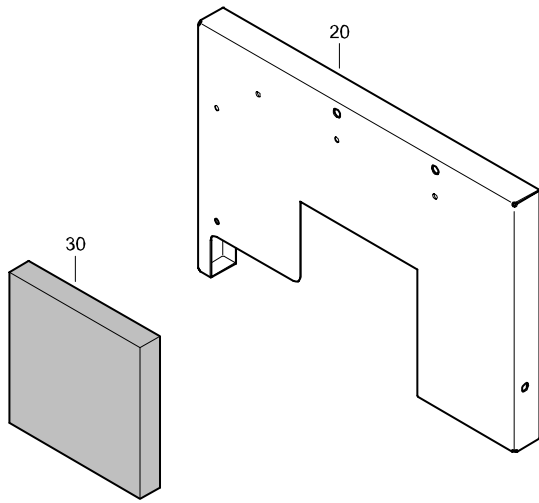
## OILSEPERATOR ASSEMBLY SQL



REF	PART NUMBER	DESIGNATION	QTY	REF	PART NUMBER	DESIGNATION	QTY
-	1604 2532 94	OILSEP. ASSY SQL (From page 85, 196)		•75	0324 1000 27	DISTANCE SLEEVE	4
•20	1604 2594 04	ADAPTER	1	•80	1604 2725 00	BUFFER	8
•21	0147 1336 03	HEX. HEAD SCREW	4	•85	1604 2726 00	WASHER	4
•22	0301 2335 00	PLAIN WASHER	4	•90	1604 2727 00	WASHER	4
•25	0663 3134 00	O-RING	1				
•30	1604 5265 80	PRESS. VESSEL ASSY SQL (For details see page 127)	1				
•31	0246 1956 29	STUD	2				
•35	-	SEAL (OIL SEPARATOR) (Part of service kit, see page 30)	1				
•40	-	OILSEP.ELEMENT (Part of service kit, see page 30)	1				
•45	1604 2535 03	TUBE	1				
•50	-	SEAL (OILSEPARATOR) (Part of service kit, see page 30)	1				
•55	1604 1330 01	RETAINER	1				
•60	1616 5108 00	LEVEL GAUGE	1				
•63	1604 5746 00	GASKET	1				
•64	0147 1322 03	HEX. HEAD SCREW	4				
•65	1604 5757 00	ADAPTER	1				
•66	1604 5745 00	RETAINER	1				
•67	0147 1320 03	HEX. HEAD SCREW	1				
•70	0147 1371 12	HEX. HEAD SCREW	4				

# STANDARD

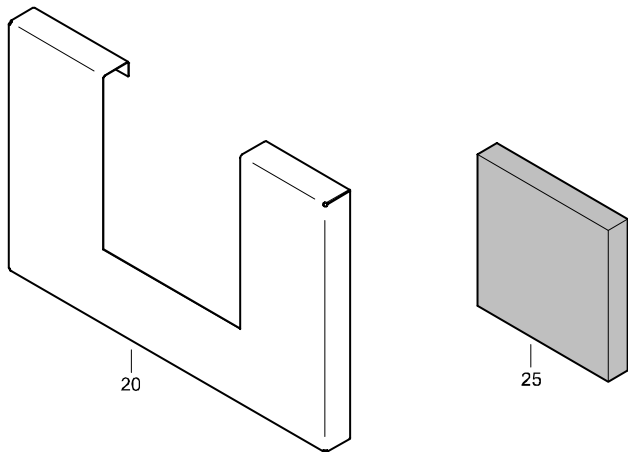
## PANEL



REF	PART NUMBER	DESIGNATION	QTY
-	1604 2542 82	PANEL <a href="#">(From page 74, 75)</a>	
•20	1604 2542 02	PANEL	1
•30	-	INSULATION SILENCING FOAM (30 mm)	1

-	1079 0003 32	SILENCING FOAM 2000 mm x 1500 mm x 30 mm	
---	--------------	---	--

1604 2542 82/00



REF	PART NUMBER	DESIGNATION	QTY
-	1604 2543 83	PANEL <a href="#">(From page 54)</a>	
•20	1604 2543 03	PANEL	1
•25	-	SILENCING FOAM (30 mm)	1

-	1079 0003 32	SILENCING FOAM 2000 mm x 1500 mm x 30 mm	
---	--------------	---	--

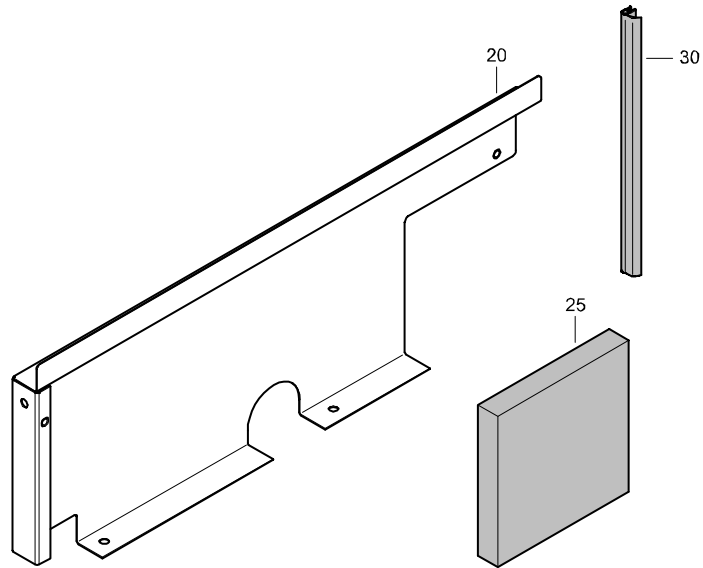
1604 2543 83/00

---

# STANDARD

## PANEL ASSEMBLY FOR COMPRESSOR WITH NOISE REGULATION CE

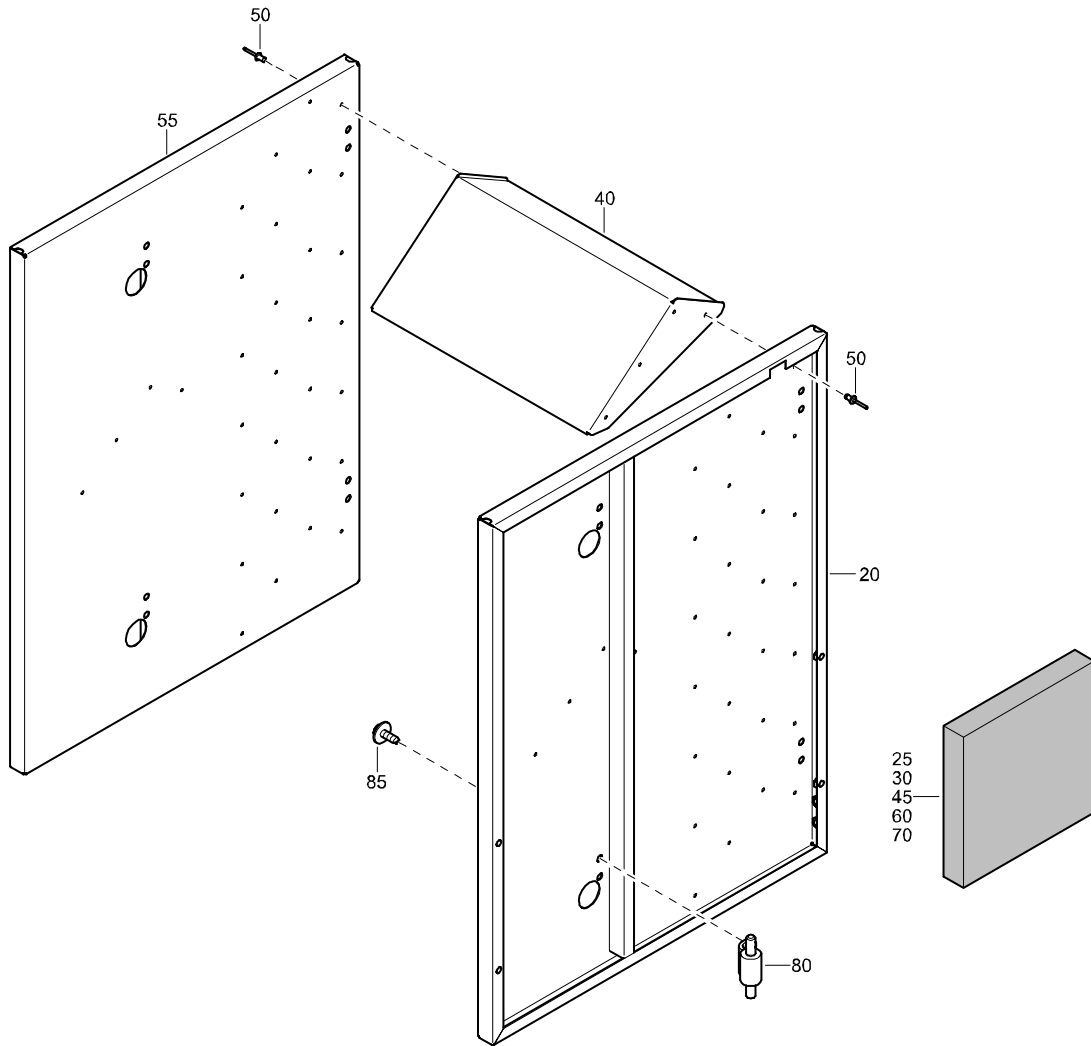
---



REF	PART NUMBER	DESIGNATION	QTY	REF	PART NUMBER	DESIGNATION	QTY
-	1604 3548 85	PANEL ASSEMBLY	(From page 78)				
•20	1604 3548 05	PANEL	1				
•25	-	SILENCING FOAM (50 mm)	1				
•30	1619 2665 00	SEAL	AR				
-	1079 0003 33	SILENCING FOAM 2000 mm x 1500 mm x 50 mm					

# STANDARD

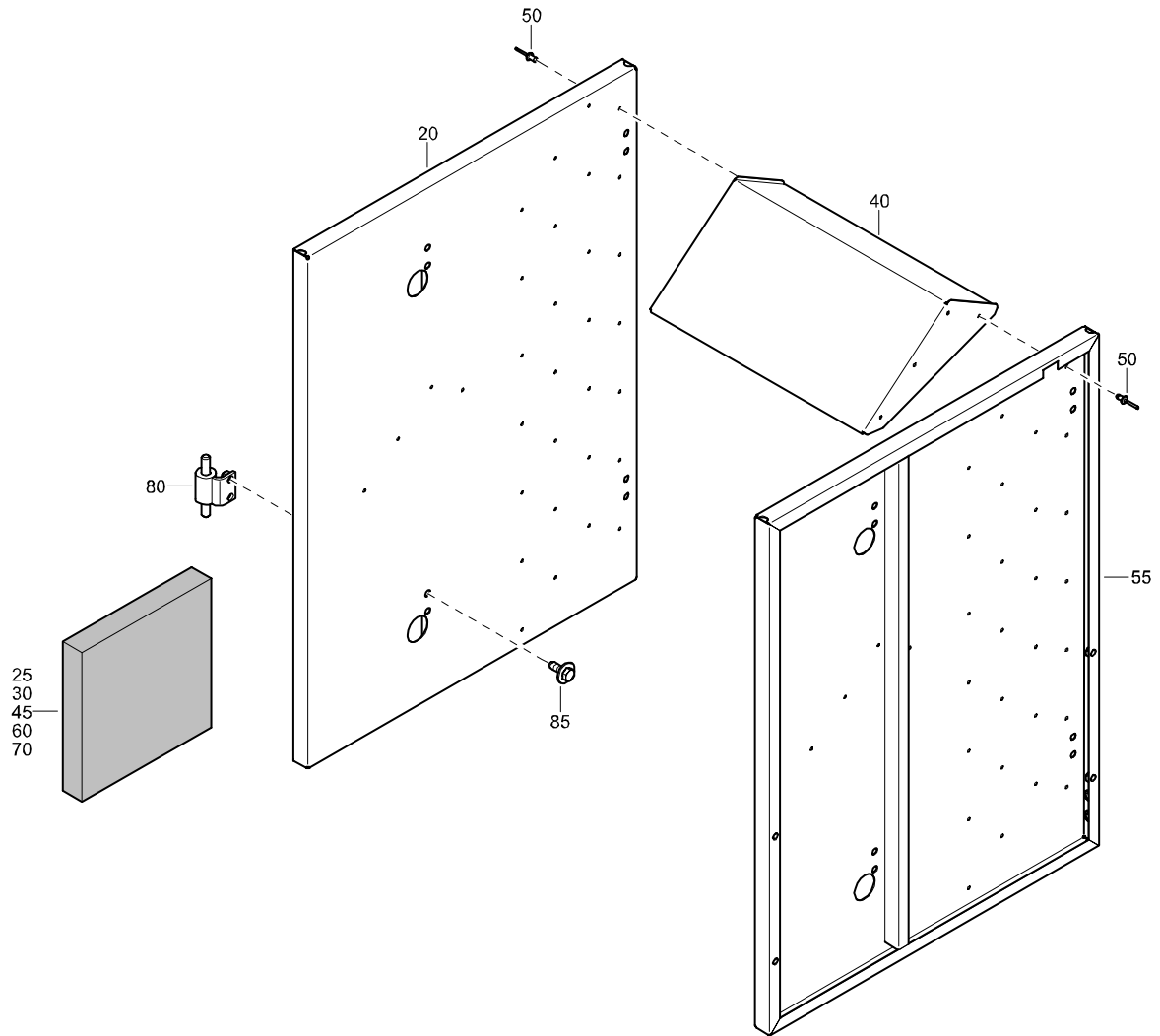
## BAFFLE FOR COMPRESSOR WITHOUT AFTERCOOLER WITH NOISE REGULATION CE



REF	PART NUMBER	DESIGNATION	QTY	REF	PART NUMBER	DESIGNATION	QTY
-	1604 2658 82	BAFFLE	(From page 74)				
•20	1604 2658 02	PANEL	1				
•25	-	SILENCING FOAM (30 mm)	1				
•30	-	SILENCING FOAM (30 mm)	1				
•40	1604 2523 00	BAFFLE	8				
•45	-	SILENCING FOAM (30 mm)	8				
•50	0129 3270 30	BLIND RIVET	64				
•55	1604 2659 00	PANEL	1				
•60	-	SILENCING FOAM (30 mm)	1				
•70	-	SILENCING FOAM (30 mm)	1				
•80	1604 3434 00	SUPPORT	4				
•85	1615 5664 00	HEX. HEAD SCREW	8				
-	1079 0003 32	SILENCING FOAM 2000 mm x 1500 mm x 30 mm					

# STANDARD

## BAFFLE FOR COMPRESSOR WITH NOISE REGULATION CE



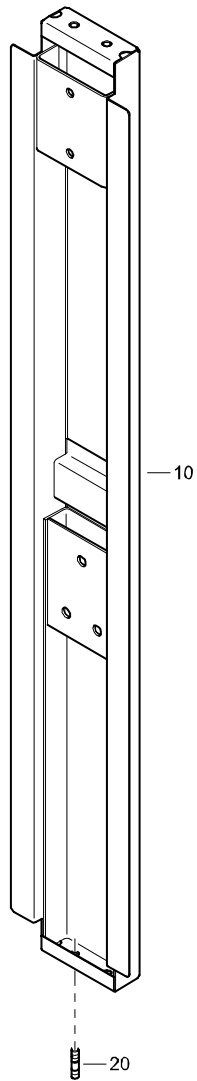
REF	PART NUMBER	DESIGNATION	QTY	REF	PART NUMBER	DESIGNATION	QTY
-	1604 2659 82	BAFFLE	(From page 78)				
•20	1604 2659 02	PANEL	1				
•25	-	SILENCING FOAM (30 mm)	1				
•30	-	SILENCING FOAM (30 mm)	1				
•40	1604 2523 00	BAFFLE	8				
•45	-	SILENCING FOAM (30 mm)	8				
•50	0129 3270 30	BLIND RIVET	64				
•55	1604 2658 00	PANEL	1				
•60	-	SILENCING FOAM (30 mm)	1				
•70	-	SILENCING FOAM (30 mm)	1				
•80	1604 3434 00	SUPPORT	4				
•85	1615 5664 00	HEX. HEAD SCREW	8				
-	1079 0003 32	SILENCING FOAM 2000 mm x 1500 mm x 30 mm					

---

# STANDARD

## PANEL ASSEMBLY

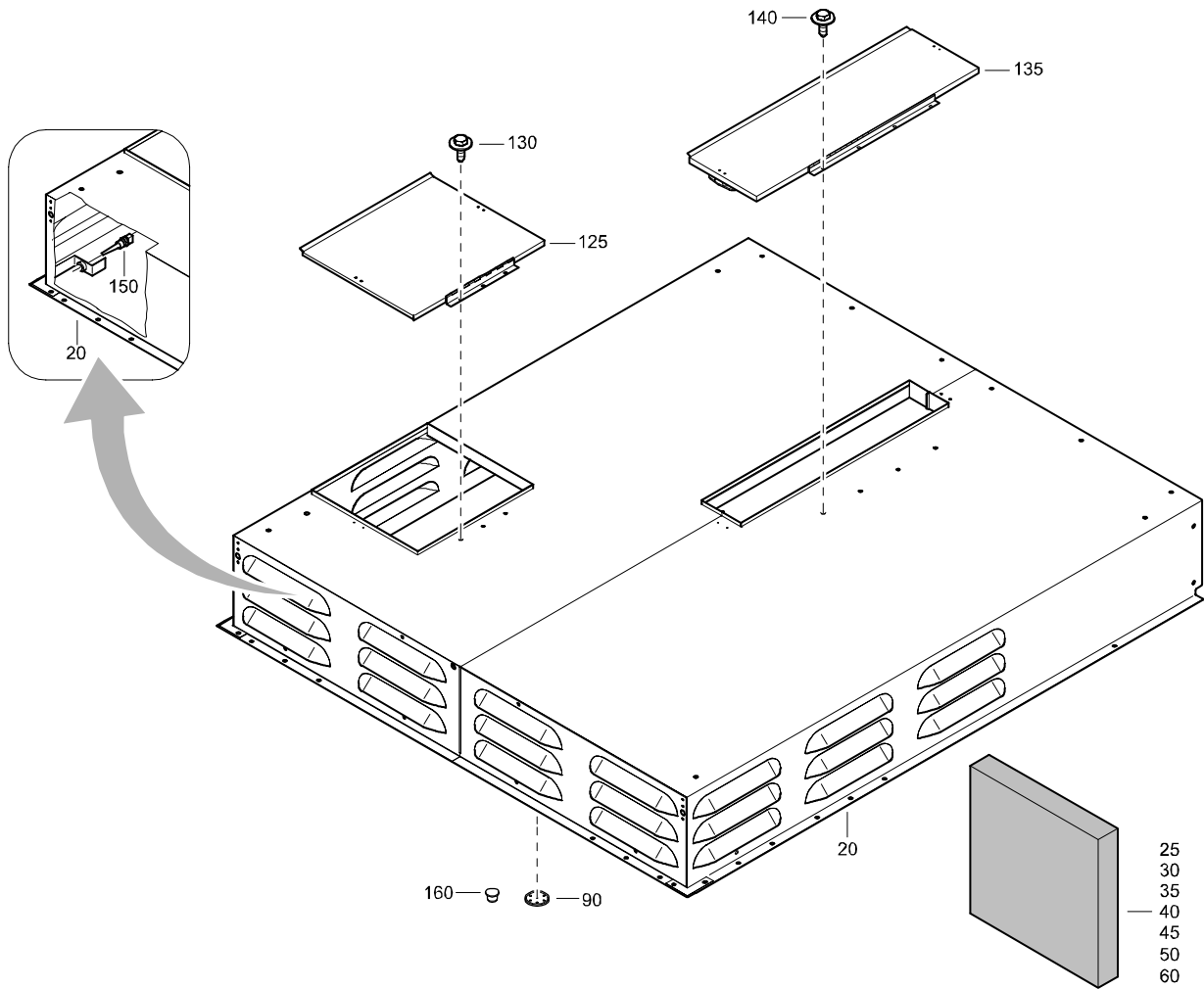
---



REF	PART NUMBER	DESIGNATION	QTY	REF	PART NUMBER	DESIGNATION	QTY
-	1604 3716 81	PANEL ASSY	(From page 52)				
•10	1604 3716 01	PANEL	1				
•20	0246 1956 35	STUD	1				

# STANDARD

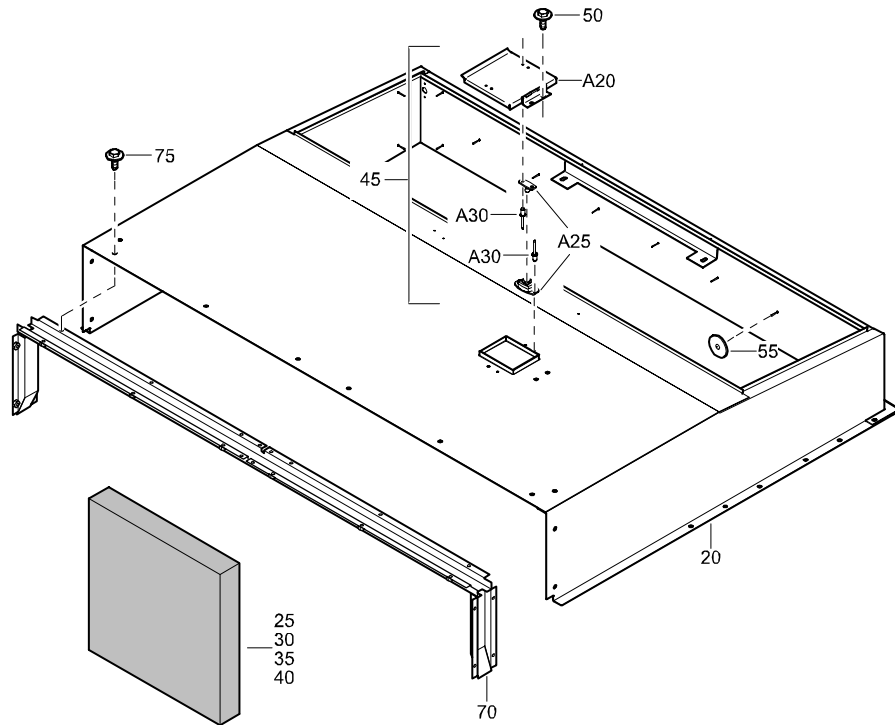
## REAR ROOF ASSEMBLY FOR COMPRESSOR WITH NOISE REGULATION NOT CE



REF	PART NUMBER	DESIGNATION	QTY	REF	PART NUMBER	DESIGNATION	QTY
-	1604 4212 86	ROOF ASSY REAR	(From page 80)	-	1079 0003 32	SILENCING FOAM 2000 mm x 1500 mm x 30 mm	
•20	1604 4212 06	ROOF	1	-	1079 0003 33	SILENCING FOAM 2000 mm x 1500 mm x 50 mm	
•25	-	SILENCING FOAM (50 mm)	1				
•30	-	SILENCING FOAM (50 mm)	1				
•35	-	SILENCING FOAM (50 mm)	1				
•40	-	SILENCING FOAM (50 mm)	1				
•45	-	INSULATION SILENCING FOAM (50 mm)	1				
•50	-	SILENCING FOAM (30 mm)	2				
•60	-	SILENCING FOAM (30 mm)	2				
•90	1615 7884 00	CLIP	70				
•125	1604 2515 84	DOOR ASSY	1				
		(For details see page 124)					
•130	1615 5664 00	HEX. HEAD SCREW	3				
•135	1604 2513 84	DOOR ASSY	1				
		(For details see page 124)					
•140	1615 5664 00	HEX. HEAD SCREW	4				
•150	1089 0574 70	TEMP.SENSOR	1				
•160	0686 9253 13	PLUG	6				

# STANDARD

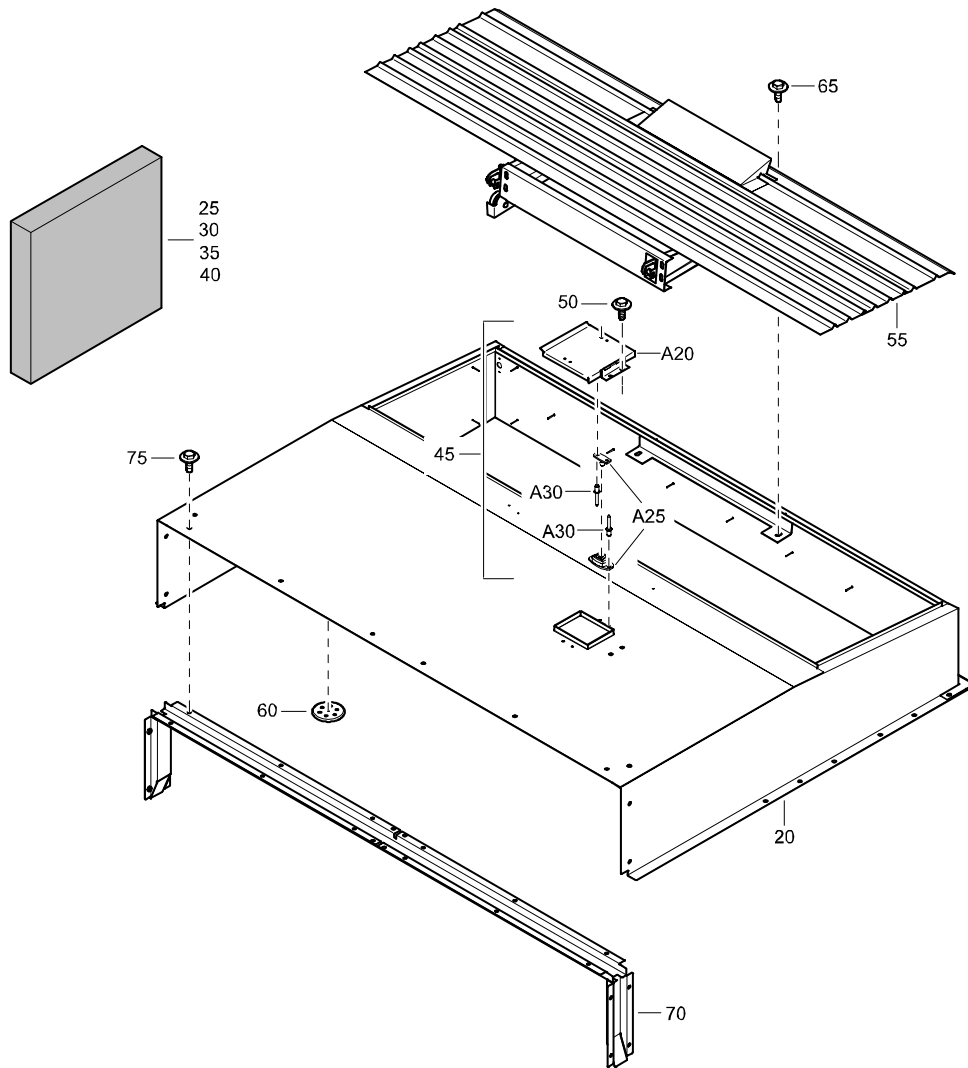
## ROOF ASSEMBLY FOR COMPRESSOR WITH NOISE REGULATION NOT CE



REF	PART NUMBER	DESIGNATION	QTY	REF	PART NUMBER	DESIGNATION	QTY
-	1604 4250 83	ROOF ASSY	(From page 80)				
•20	1604 4250 03	ROOF FRONT	1				
•25	-	SILENCING FOAM (30 mm)	1				
•30	-	SILENCING FOAM (50 mm)	1				
•35	-	SILENCING FOAM (30 mm)	1				
•40	-	SILENCING FOAM (30 mm)	1				
•45	1604 2518 82	COVER ASSY	1				
••A20	1604 2518 02	COVER	1				
••A25	1619 1663 00	DOOR HOOK	2				
••A30	0129 3270 17	BLIND RIVET	8				
•50	1604 3423 00	SCRAPER BOLT	2				
•55	1615 7884 00	CLIP	34				
•70	1604 3412 02	BEAM	1				
•75	1604 3423 00	SCRAPER BOLT	10				
-	1079 0003 32	SILENCING FOAM 2000 mm x 1500 mm x 30 mm					
-	1079 0003 33	SILENCING FOAM 2000 mm x 1500 mm x 50 mm					

# STANDARD

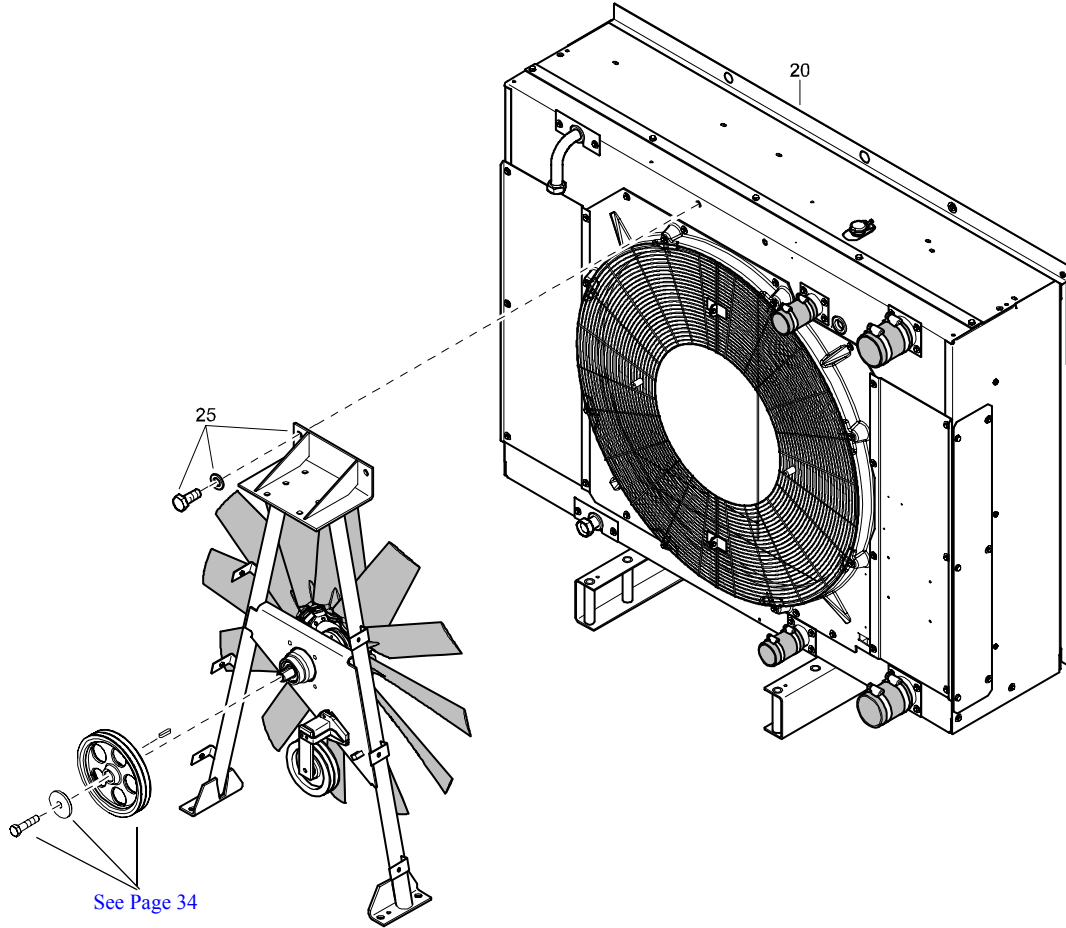
## FRONT ROOF ASSEMBLY FOR COMPRESSOR WITH NOISE REGULATION CE



REF	PART NUMBER	DESIGNATION	QTY	REF	PART NUMBER	DESIGNATION	QTY
-	1604 7533 82	ROOF ASSY FRONT (From page 78)		-	1079 0003 32	SILENCING FOAM 2000 mm x 1500 mm x 30 mm	
•20	1604 4250 03	ROOF FRONT	1	-	1079 0003 33	SILENCING FOAM 2000 mm x 1500 mm x 50 mm	
•25	-	SILENCING FOAM (30 mm)	1				
•30	-	SILENCING FOAM (50 mm)	1				
•35	-	SILENCING FOAM (30 mm)	1				
•40	-	SILENCING FOAM (30 mm)	1				
•45	1604 2518 82	COVER ASSY	1				
••A20	1604 2518 02	COVER	1				
••A25	1619 1663 00	DOOR HOOK	2				
••A30	0129 3270 17	BLIND RIVET	8				
•50	1604 3423 00	SCRAPER BOLT	2				
•55	1604 7032 81	ROOF ASSY (For details see page 129)	1				
•60	1615 7884 00	CLIP	34				
•65	1604 3423 00	SCRAPER BOLT	6				
•70	1604 3412 02	BEAM	1				
•75	1604 3423 00	SCRAPER BOLT	10				

# STANDARD

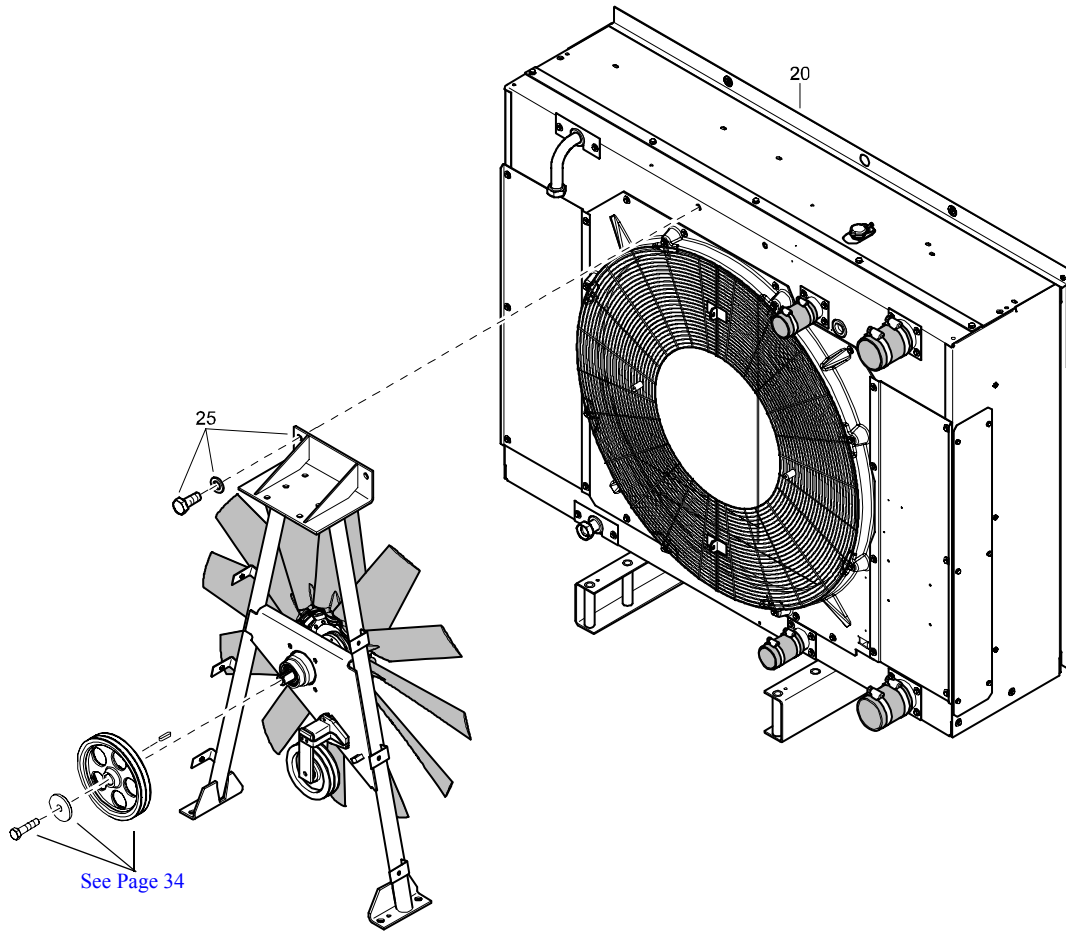
## COOLER AND FAN DRIVE ASSEMBLY FOR COMPRESSOR WITH NOISE REGULATION CE



REF	PART NUMBER	DESIGNATION	QTY	REF	PART NUMBER	DESIGNATION	QTY
-	1604 7534 83	COOLER & FAN DR ASSY (From page 78)					
•20	1604 3701 83	COOLER ASSY (For details see page 130)	1				
•25	1604 7535 81	FAN DRIVE ASSY (For details see page 134)	1				

# STANDARD

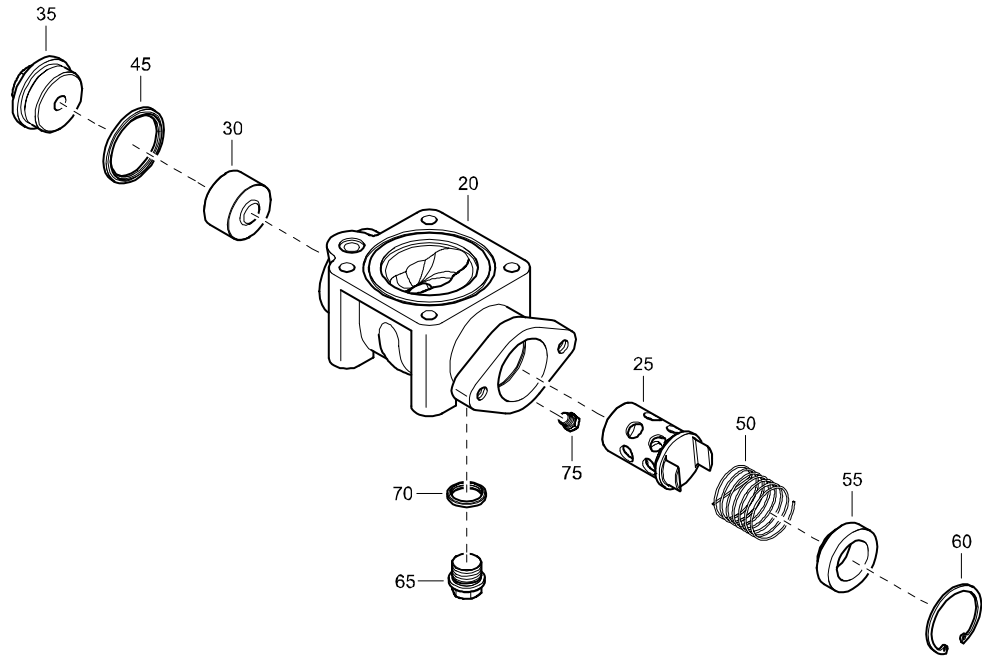
## COOLER AND FAN DRIVE ASSEMBLY FOR COMPRESSOR WITH NOISE REGULATION NOT CE



REF	PART NUMBER	DESIGNATION	QTY	REF	PART NUMBER	DESIGNATION	QTY
-	1604 9648 80	COOLER & FAN DR ASSY (From page 80)					
•20	1604 9679 80	COOLER (For details see page 132)	1				
•25	1604 7535 81	FAN DRIVE ASSY (For details see page 134)	1				

# STANDARD

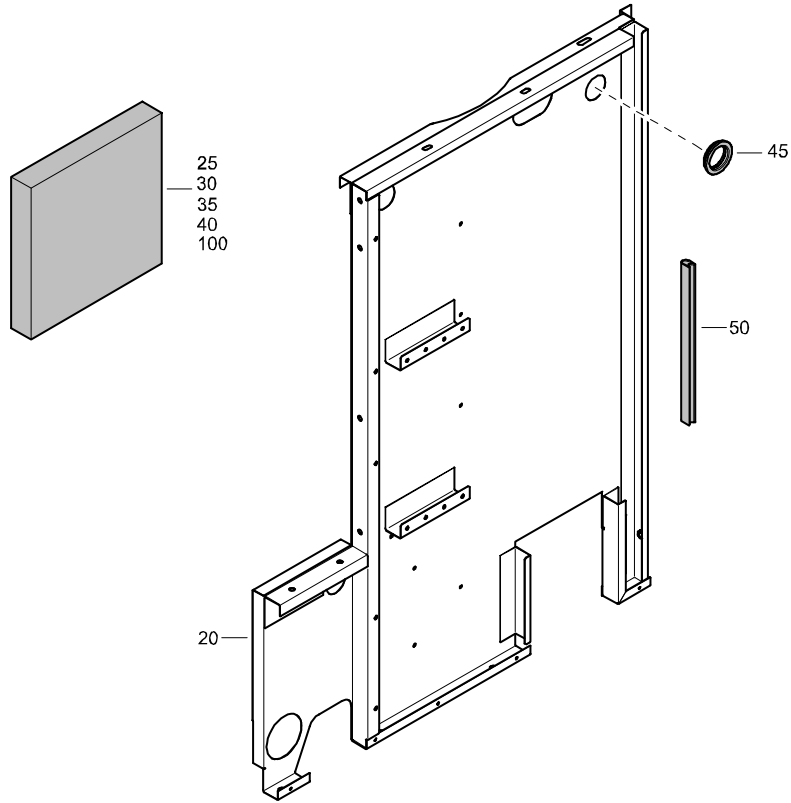
## HOUSING



REF	PART NUMBER	DESIGNATION	QTY	REF	PART NUMBER	DESIGNATION	QTY
-	1604 6109 80	HOUSING					
		(From page 38)					
•20	-	HOUSING	1				
		(Not available separately)					
•25	1614 9921 00	VALVE OILSTOP	1				
•30	2255 2813 00	PISTON	1				
•35	2253 3565 00	REDUCER	1				
•45	-	SEALING WASHER	1				
		(Part of service kit, see page 31)					
•50	-	COMPR.SPRING	1				
		(Part of service kit, see page 31)					
•55	2252 6269 00	SPRING GUIDE	1				
•60	0335 2145 00	CIRCLIP	1				
•65	0686 3716 02	HEXAGON PLUG	1				
•70	-	SEALING WASHER	1				
		(Part of service kit, see page 31)					
•75	0686 3115 20	PLUG	1				

# STANDARD

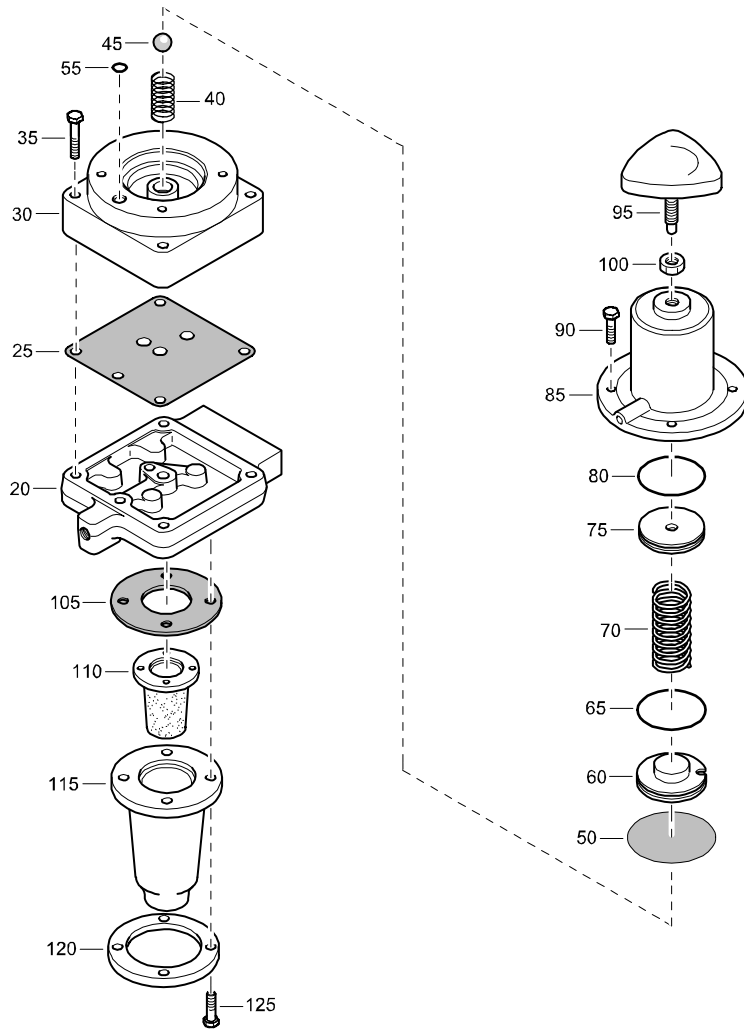
## PANEL



REF	PART NUMBER	DESIGNATION	QTY	REF	PART NUMBER	DESIGNATION	QTY
-	1604 7739 82	PANEL	(From page 54)				
•20	1604 7739 03	PANEL	1				
•25	-	SILENCING FOAM (40 mm)	1				
•30	-	SILENCING FOAM (40 mm)	1				
•35	-	SILENCING FOAM (40 mm)	1				
•40	-	SILENCING FOAM (40 mm)	1				
•45	1604 0383 00	SEAL (OIL SEPARATOR)	3				
•50	1503 1056 00	SEAL	AR				
•100	-	SILENCING FOAM (40 mm)	1				
-	1079 0001 91	SILENCING FOAM 2000 mm x 1500 mm x 40 mm					

# STANDARD

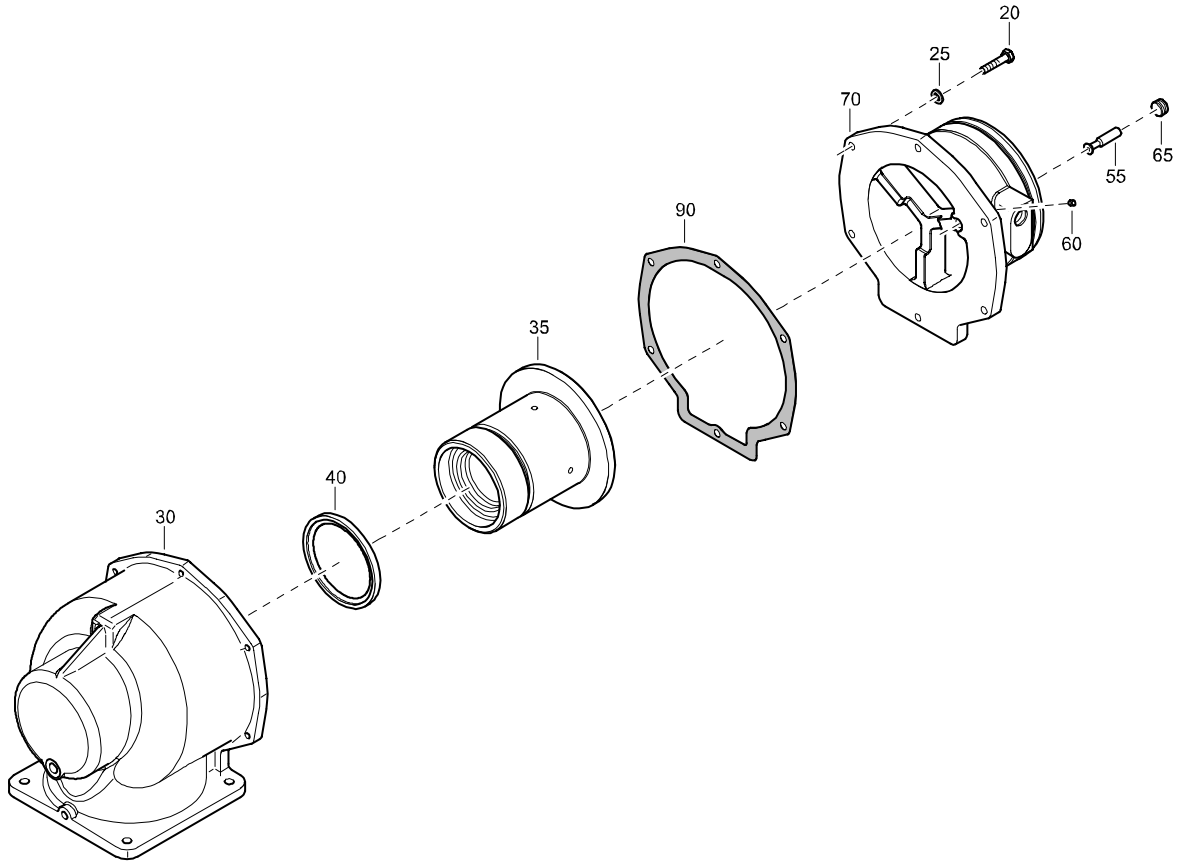
## REGULATING VALVE



REF	PART NUMBER	DESIGNATION	QTY	REF	PART NUMBER	DESIGNATION	QTY
-	2252 0495 96	REGUL. VALVE (From page 83, 84, 85)		•85	-	SPRING COVER (Not available separately)	1
•20	-	BASE PLATE (Not available separately)	1	•90	0147 1247 03	HEX. HEAD SCREW	4
•25	-	GASKET (Part of service kit, see page 27)	1	•95	1604 4289 00	SCREW	1
•30	-	SEAT ASS'Y (Not available separately)	1	•100	0268 4138 22	HEXAGON NUT	1
•35	0147 1250 03	HEX. HEAD SCREW	4	•105	-	GASKET (Part of service kit, see page 27)	1
•40	-	SPRING (Part of service kit, see page 27)	1	•110	-	FILTER (Part of service kit, see page 27)	1
•45	-	BEARING BALL (Part of service kit, see page 27)	1	•115	-	FILTER HOUSING (Not available separately)	1
•50	-	MEMBRANE (Part of service kit, see page 27)	1	•120	2254 3391 00	RING	1
•55	-	O-RING (Part of service kit, see page 27)	1	•125	0147 1248 03	HEX. HEAD SCREW	4
•60	2252 4058 00	SPRING GUIDE	1				
•65	-	O-RING (Part of service kit, see page 27)	1				
•70	2255 0284 00	COMPR. SPRING	1				
•75	2252 4059 00	SPRING SEAT	1				
•80	-	O-RING (Part of service kit, see page 27)	1				

# STANDARD

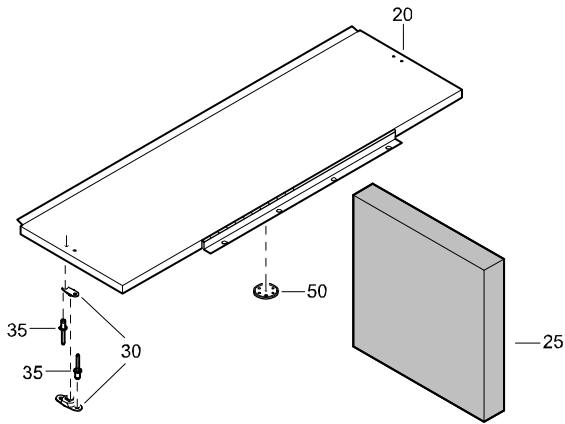
## UNLOADER ASSEMBLY



REF	PART NUMBER	DESIGNATION	QTY	REF	PART NUMBER	DESIGNATION	QTY
-	2252 5502 92	UNLOADER ASSY	(From page 38)				
•20	0147 1327 03	HEX. HEAD SCREW	6				
•25	-	PLAIN WASHER	6				
		(Part of service kit, see page 26)					
•30	2252 5502 00	UNLOADER HOUS.	1				
•35	2252 5503 02	VALVE	1				
•40	-	SEALRING	1				
		(Part of service kit, see page 26)					
•55	1604 6205 00	VALVE	1				
•60	0686 2606 00	CORE PLUG	1				
•65	1613 2913 00	PLUG	1				
•70	1616 5051 00	CONNECTION	1				
•90	-	GASKET	1				
		(Part of service kit, see page 26)					

# STANDARD

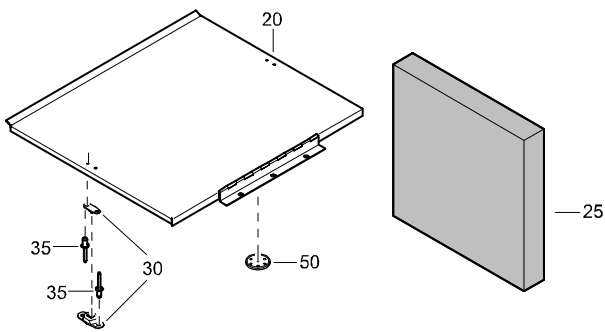
## DOOR ASSEMBLY



REF	PART NUMBER	DESIGNATION	QTY
-	1604 2513 84	DOOR ASSY	(From page 106, 115)
•20	1604 2513 04	DOOR	1
•25	-	SILENCING FOAM (50 mm)	1
•30	1619 1663 00	DOOR HOOK	2
•35	0129 3270 17	BLIND RIVET	8
•50	1615 7884 00	CLIP	3

- 1079 0003 33 SILENCING FOAM  
2000 mm x 1500 mm x 50 mm

1604 2513 84/00



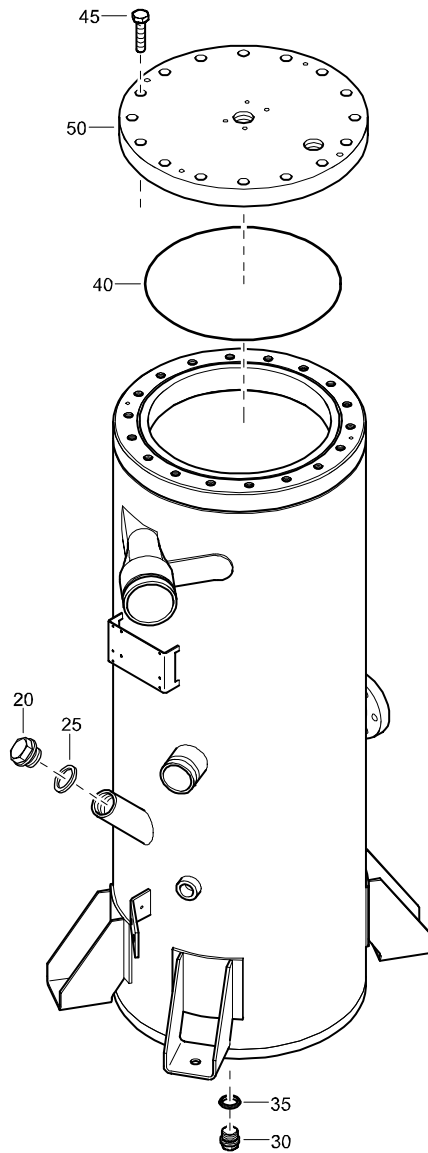
REF	PART NUMBER	DESIGNATION	QTY
-	1604 2515 84	DOOR ASSY	(From page 106, 115)
•20	1604 2515 04	DOOR	1
•25	-	SILENCING FOAM (50 mm)	1
•30	1619 1663 00	DOOR HOOK	2
•35	0129 3270 17	BLIND RIVET	8
•50	1615 7884 00	CLIP	2

- 1079 0003 33 SILENCING FOAM  
2000 mm x 1500 mm x 50 mm

1604 2515 84/00

# STANDARD

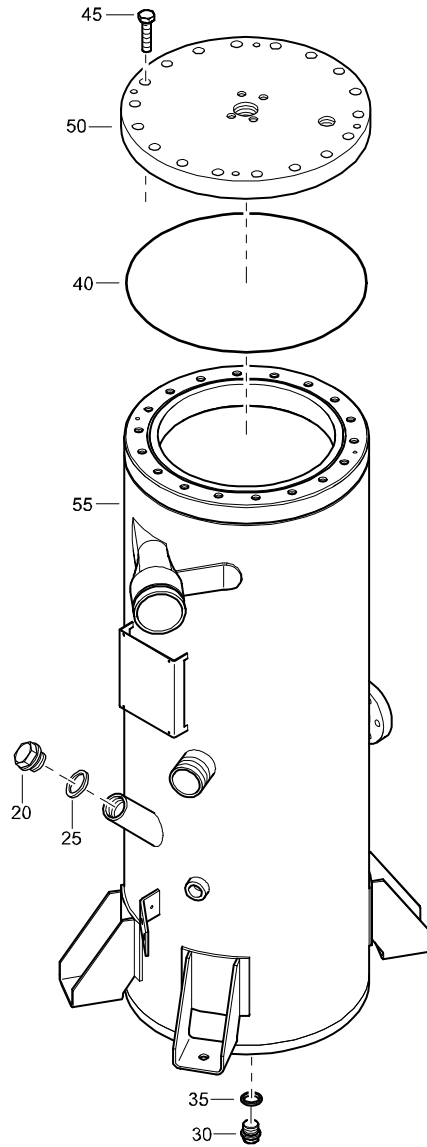
## PRESSURE VESSEL ASSEMBLY EC



REF	PART NUMBER	DESIGNATION	QTY	REF	PART NUMBER	DESIGNATION	QTY
-	1604 2531 90	PRESS. VESSEL ASSY EC (From page 107)					
•20	2250 2528 00	PLUG SCREW	1				
•25	0653 1227 00	FLAT GASKET	1				
•30	0686 3716 02	HEXAGON PLUG	1				
•35	0661 1033 00	SEALING WASHER	1				
•40	-	O-RING (Part of service kit, see page 30)	1				
•45	0147 1481 03	HEX. HEAD SCREW	18				
•50	1604 2532 02	COVER	1				
•55	1604 2531 02	VESSEL EC	1				

# STANDARD

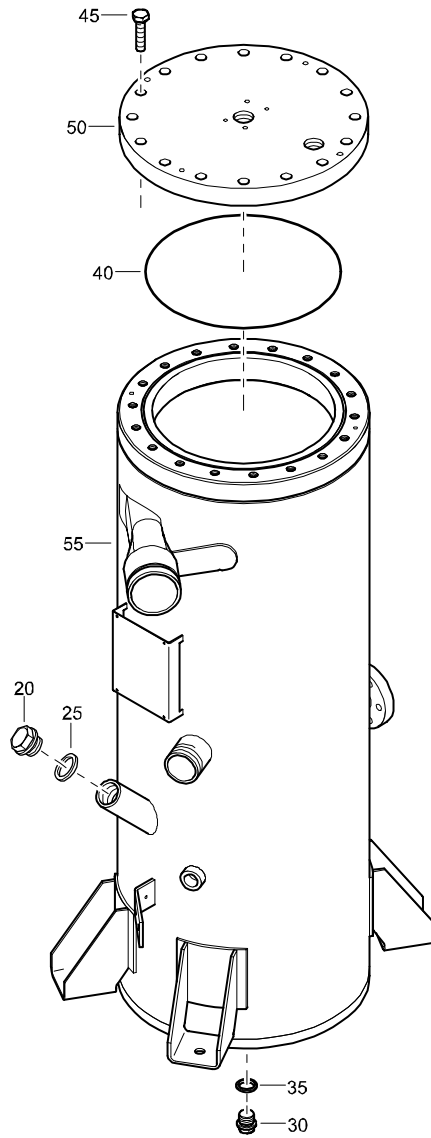
## PRESSURE VESSEL ASSEMBLY ASME



REF	PART NUMBER	DESIGNATION	QTY	REF	PART NUMBER	DESIGNATION	QTY
-	1604 2755 82	PRESS. VESSEL ASSY ASME(From page 108)					
•20	2250 2528 00	PLUG SCREW	1				
•25	0653 1227 00	FLAT GASKET	1				
•30	0686 3716 02	HEXAGON PLUG	1				
•35	0661 1033 00	SEALING WASHER	1				
•40	-	O-RING (Part of service kit, see page 30)	1				
•45	0147 1481 03	HEX. HEAD SCREW	18				
•50	1604 2532 02	COVER	1				
•55	1604 2755 01	VESSEL ASME	1				

# STANDARD

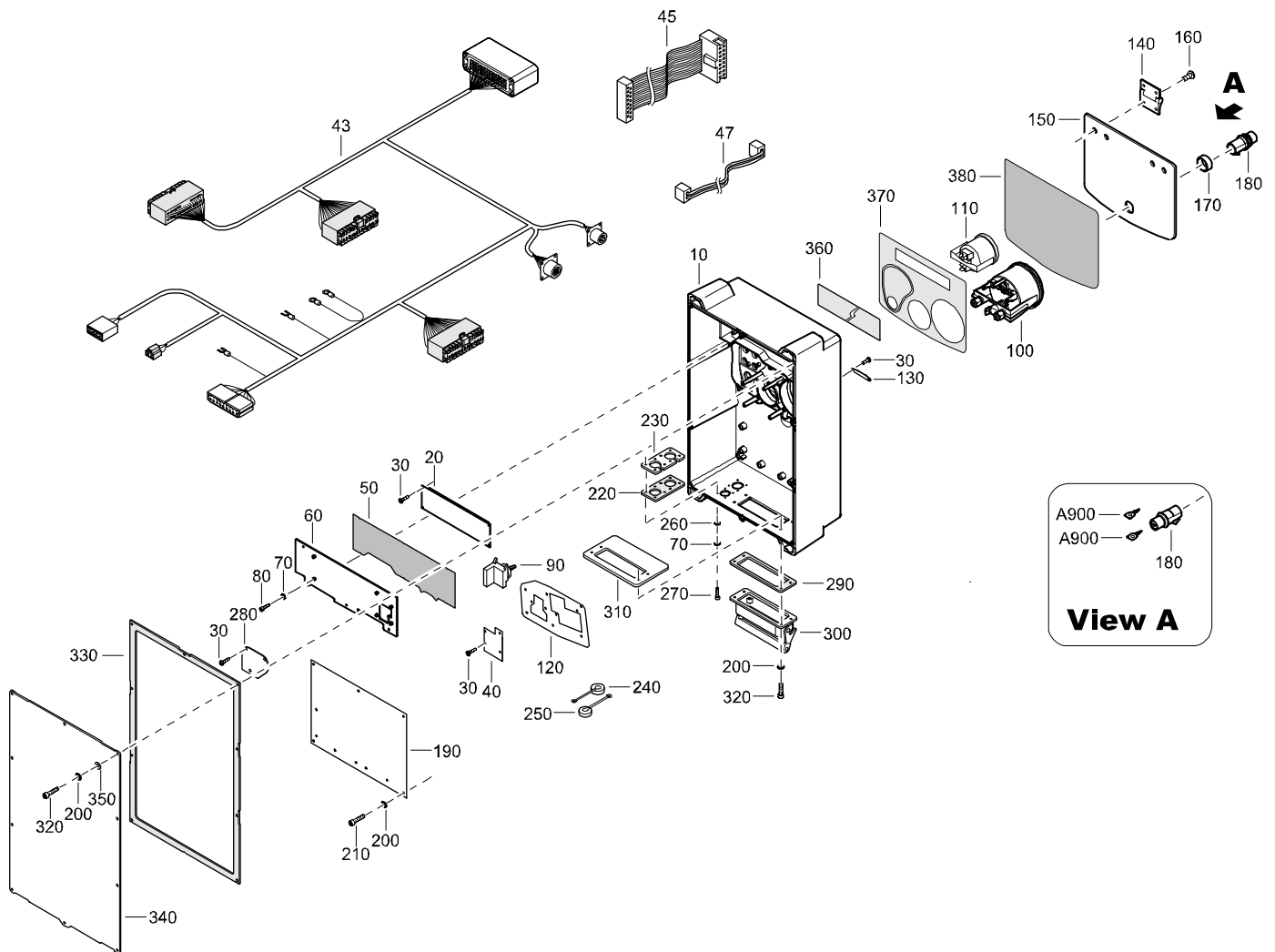
## PRESSURE VESSEL ASSEMBLY SQL



REF	PART NUMBER	DESIGNATION	QTY	REF	PART NUMBER	DESIGNATION	QTY
-	1604 5265 80	PRESS. VESSEL ASSY SQL <a href="#">(From page 109)</a>					
•20	2250 2528 00	PLUG SCREW	1				
•25	0653 1227 00	FLAT GASKET	1				
•30	0686 3716 02	HEXAGON PLUG	1				
•35	0661 1033 00	SEALING WASHER	1				
•40	-	O-RING <a href="#">(Part of service kit, see page 30)</a>	1				
•45	0147 1481 03	HEX. HEAD SCREW	18				
•50	1604 2532 02	COVER	1				
•55	1604 5265 01	VESSEL SQL	1				

# STANDARD

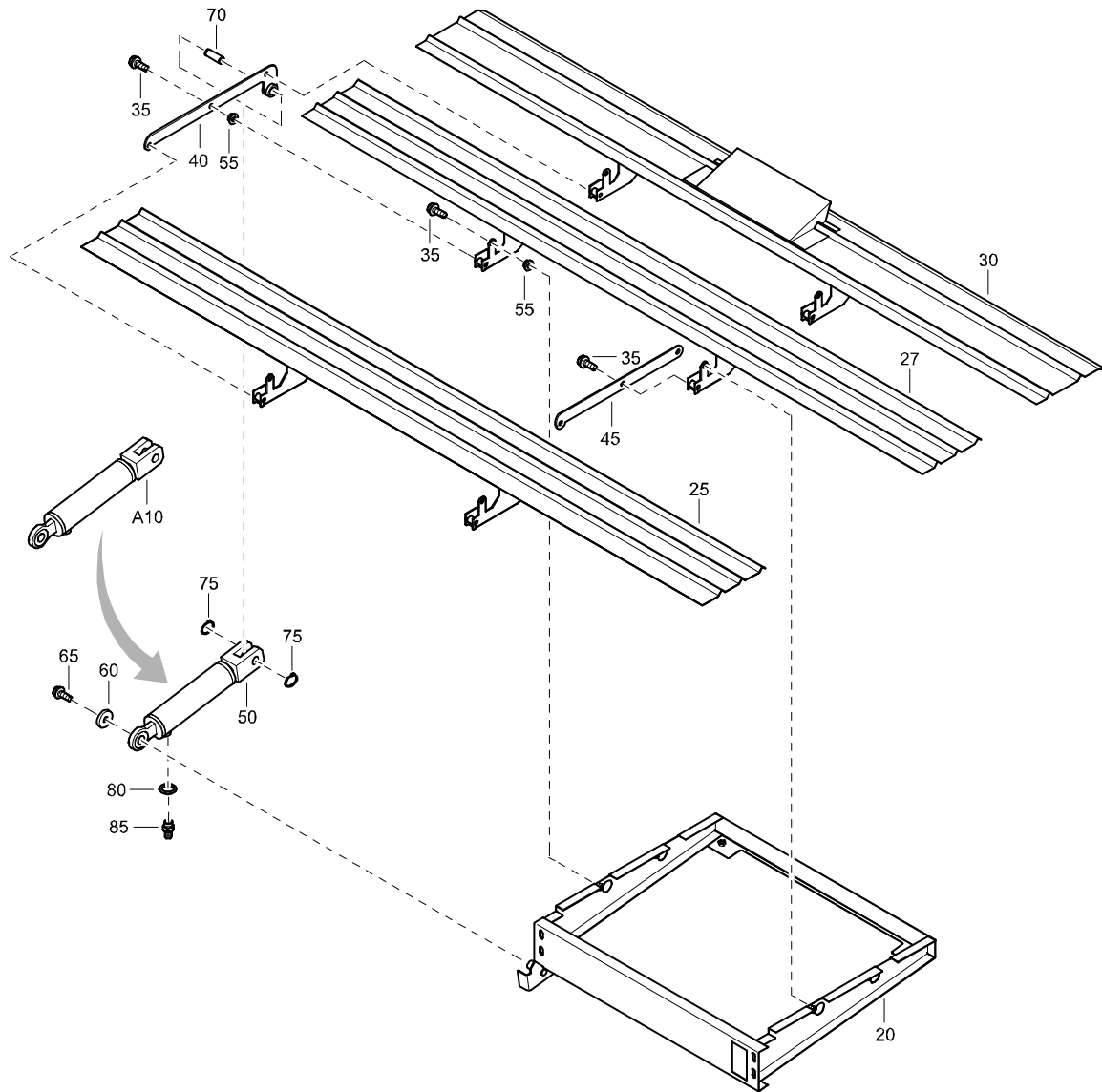
## CONTROL BOX



REF	PART NUMBER	DESIGNATION	QTY	REF	PART NUMBER	DESIGNATION	QTY
-	1604 4249 82	CONTROL BOX	(From page 57)	•200	0333 3114 01	LOCK WASHER	23
•10	1604 2738 00	HOUSING	1	•210	0211 1170 03	HEX SOCK. SCREW	9
•20	1604 4247 00	DISPLAY	1	•220	1604 4271 00	SEAL	1
•30	0226 0300 48	TAPPING SCREW	12	•230	1604 1347 00	PLATE	1
•40	1604 4263 80	PCB	1	•240	1604 2194 00	COVER	1
•43	1604 1758 00	WIRE HARNESS	1	•250	1604 2199 00	COVER	1
•45	1604 5825 00	CABLE	1	•260	0301 2309 00	PLAIN WASHER	8
•47	1604 5827 00	CABLE	1	•270	0211 1107 03	HEX SOCK. SCREW	8
•50	1604 4270 00	SEAL	1	•280	1604 4262 80	PCB	1
•60	1604 1795 00	PLATE	1	•290	1604 4300 00	SEAL	1
•70	0333 3210 00	LOCK WASHER	14	•300	1604 1757 00	HOUSING	1
•80	0211 1106 03	HEX SOCK. SCREW	6	•310	1604 2169 00	PLATE	1
•90	1089 0263 27	SELECTOR SWITCH	1	•320	0211 1173 03	HEX SOCK. SCREW	14
•100	1089 0565 41	PRESSURE GAUGE	1	•330	1604 4274 00	SEAL	1
•110	1089 0631 02	FUEL GAUGE	1	•340	1604 2160 00	PLATE	1
•120	1604 1785 00	PLATE	1	•350	0301 2315 00	PLAIN WASHER	10
•130	1604 2193 01	BRACKET	1	•360	1604 1780 00	SCREEN, DE1091	1
•140	1604 7601 00	HINGE	2	•370	1604 4247 80	DECAL ASSEMBLY	1
•150	1604 1784 01	PLATE	1			(For details see page 136)	
•160	0160 0996 91	CROSS REC SCREW	8	•380	1604 4246 00	SEAL	1
•170	1604 1336 01	SPACER	1				
•180	1604 7602 00	LOCK	1				
••A900	2914 8299 00	KEY	2				
•190	1604 7275 00	PCB	1				

# STANDARD

## ROOF ASSEMBLY



REF	PART NUMBER	DESIGNATION	QTY	REF	PART NUMBER	DESIGNATION	QTY
-	1604 7032 81	ROOF ASSY	(From page 117)				
•20	1604 7032 01	FRAME	1				
•25	1604 7038 01	COVER	1				
•27	1604 7037 01	COVER	1				
•30	1604 7033 01	COVER	1				
•35	1619 2766 00	HEX. HEAD SCREW	12				
•40	1604 7036 01	BRACKET	1				
•45	1604 7035 01	BRACKET	1				
•50	1604 2699 01	CYLINDER	1				
••A10	2914 8292 00	KIT PISTON	1				
•55	1604 2553 00	BUSHING	12				
•60	0303 1274 01	PLAIN WASHER	1				
•65	1619 2766 00	HEX. HEAD SCREW	1				
•70	1604 2700 00	PIVOT	1				
•75	0335 1122 00	CIRCLIP	2				
•80	1079 5840 07	HEXAGON NIPPLE	1				
•85	0661 1026 00	SEALING WASHER	1				



# STANDARD

## FOR COMPRESSOR WITH NOISE REGULATION CE

REF	PART NUMBER	DESIGNATION	QTY	REF	PART NUMBER	DESIGNATION	QTY
-	1604 3701 83	COOLER ASSY	(From page 118)	•460	1604 2786 02	HOSE	2
•20	1604 3734 03	SUPPORT	1	•461	1604 2785 00	HOSE	2
•21	-	SILENCING FOAM (50 mm)	1	•465	0347 6100 23	HOSE CLAMP	12
•30	1604 3701 01	PAD	1	•470	1604 2769 01	PIPE	2
•40	1604 2495 01	OILCOOLER	1	•475	1615 5664 00	HEX. HEAD SCREW	4
•50	0196 1362 00	SET SCREW	2	•480	1604 2586 01	PIPE	1
•60	1604 3702 01	RADIATOR	1	•485	1604 2464 01	PIPE	1
••A10	1604 2662 01	CAP	1	•490	0663 3131 00	O-RING	2
•61	0686 3716 02	HEXAGON PLUG	1	•495	0246 1956 42	STUD	4
•62	0661 1033 00	SEALING WASHER	1	•500	0333 3232 00	LOCK WASHER	4
•65	0196 1362 00	SET SCREW	2	•505	0266 2111 00	HEXAGON NUT	4
•70	0075 4005 70	RUBBER TUBE	AR	•520	1604 2771 01	PLATE	2
•75	0347 6110 00	HOSE CLAMP	2	•530	1615 5664 00	HEX. HEAD SCREW	4
•80	0661 1033 00	SEALING WASHER	1	•535	1604 2496 00	GROMMET	2
•81	0571 0020 15	HOSE NIPPLE	1	•600	1619 5562 00	SEAL	AR
•82	0071 8402 68	FUEL HOSE	AR	•605	1619 5562 00	SEAL	AR
•83	0347 6104 00	HOSE CLAMP	2				
•85	1089 0659 53	LEVEL SWITCH	2				
•86	0661 1023 00	SEALING WASHER	2				
•87	1615 9329 00	NIPPLE	2				
•90	1604 2812 02	WIRING	1				
•91	1088 0801 28	GROMMET	1				
•92	0129 3115 00	BLIND RIVET	4	-	1079 0003 33	SILENCING FOAM	
•94	1088 1301 02	CABLE STRIP	5			2000 mm x 1500 mm x 50 mm	
•96	0348 0110 13	ANCHOR PLATE	4				
•98	1088 1301 02	CABLE STRIP	4				
•100	1604 4747 01	COOLER	1				
•105	0196 1362 00	SET SCREW	2				
•113	1604 2496 00	GROMMET	1				
•114	1088 0801 33	GROMMET	1				
•115	1604 3736 02	BEAM	1				
•116	-	SILENCING FOAM (50 mm)	1				
•117	-	SILENCING FOAM (50 mm)	1				
•118	-	SILENCING FOAM (50 mm)	1				
•120	1604 3703 04	BEAM	1				
•121	-	SILENCING FOAM (50 mm)	1				
•122	-	SILENCING FOAM (50 mm)	1				
•123	1088 0803 25	GROMMET	1				
•130	0147 1362 03	HEX. HEAD SCREW	6				
•140	0301 2344 00	PLAIN WASHER	6				
•145	1615 5664 00	HEX. HEAD SCREW	3				
•150	1604 2504 01	PLATE	1				
•151	-	SILENCING FOAM (50 mm)	1				
•155	1615 5664 00	HEX. HEAD SCREW	9				
•170	1604 2503 01	PLATE	1				
•171	-	SILENCING FOAM (50 mm)	2				
•175	1615 5664 00	HEX. HEAD SCREW	9				
•190	1604 9892 00	COWL	1				
•191	-	SILENCING FOAM (50 mm)	1				
•192	-	SILENCING FOAM (50 mm)	1				
•193	-	SILENCING FOAM (50 mm)	1				
•194	-	SILENCING FOAM (50 mm)	1				
•195	1615 5664 00	HEX. HEAD SCREW	8				
•210	1604 3704 01	PLATE	1				
•211	-	SILENCING FOAM (50 mm)	1				
•220	1604 2740 02	PLATE	1				
•221	-	SILENCING FOAM (50 mm)	1				
•225	1615 5664 00	HEX. HEAD SCREW	12				
•260	1604 3748 00	COVER	2				
•265	0147 1326 03	HEX. HEAD SCREW	6				
•267	0301 2335 00	PLAIN WASHER	6				
•270	0291 1110 00	LOCKNUT	6				
•275	1615 5664 00	HEX. HEAD SCREW	6				
•300	1604 2643 01	GUARD	2				
•310	1615 5664 00	HEX. HEAD SCREW	8				
•350	0147 1323 03	HEX. HEAD SCREW	2				
•355	0301 2335 00	PLAIN WASHER	2				
•360	0291 1110 00	LOCKNUT	2				
•382	1604 3705 00	PLATE	1				
•390	1615 5664 00	HEX. HEAD SCREW	4				
•440	1604 2770 01	PIPE	2				
•445	1615 5664 00	HEX. HEAD SCREW	4				
•450	2252 6291 01	HOSE	4				
•455	0347 6100 21	HOSE CLAMP	8				



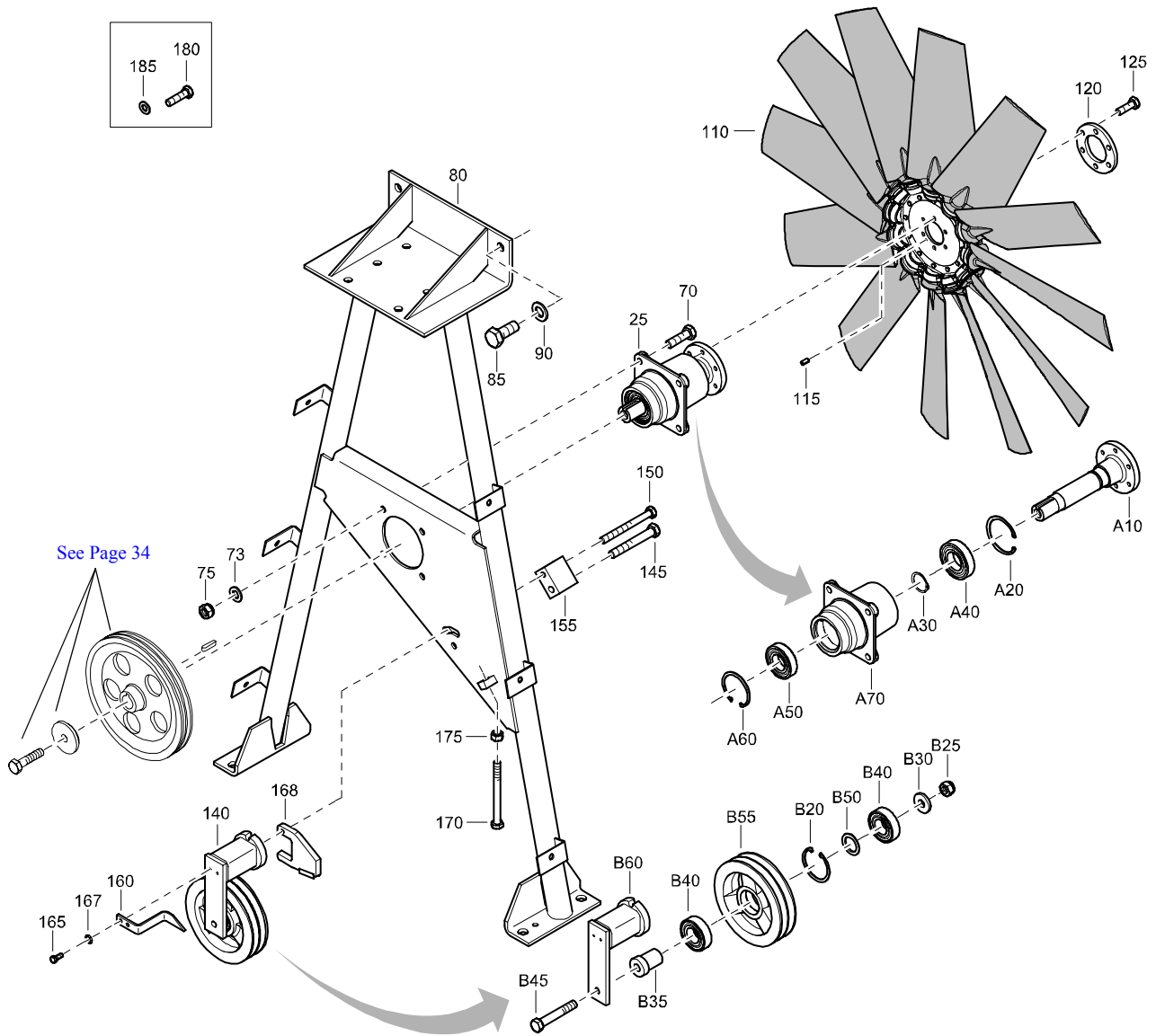
# STANDARD

## COOLER FOR COMPRESSOR WITH NOISE REGULATION NOT CE

REF	PART NUMBER	DESIGNATION	QTY	REF	PART NUMBER	DESIGNATION	QTY
-	1604 9679 80	COOLER	(From page 119)	•535	1604 2496 00	GROMMET	2
•20	1604 9679 00	SUPPORT	1	•600	1619 5562 00	SEAL	AR
•30	1604 3701 01	PAD	1	•605	1619 5562 00	SEAL	AR
•40	1604 2495 01	OILCOOLER	1				
•50	0196 1362 00	SET SCREW	2				
•60	1604 3702 01	RADIATOR	1				
••A10	1604 2662 01	CAP	1				
•61	0686 3716 02	HEXAGON PLUG	1				
•62	0661 1033 00	SEALING WASHER	1	-	1079 0003 33	SILENCING FOAM 2000 mm x 1500 mm x 50 mm	
•65	0196 1362 00	SET SCREW	2				
•70	0075 4005 70	RUBBER TUBE	AR				
•75	0347 6110 00	HOSE CLAMP	2				
•80	0661 1033 00	SEALING WASHER	1				
•81	0571 0020 15	HOSE NIPPLE	1				
•82	0071 8402 68	FUEL HOSE	AR				
•83	0347 6104 00	HOSE CLAMP	2				
•85	1089 0659 53	LEVEL SWITCH	2				
•86	0661 1023 00	SEALING WASHER	2				
•87	1615 9329 00	NIPPLE	2				
•90	1604 2812 02	WIRING	1				
•91	1088 0801 28	GROMMET	1				
•92	0129 3115 00	BLIND RIVET	4				
•94	1088 1301 02	CABLE STRIP	5				
•96	0348 0110 13	ANCHOR PLATE	4				
•98	1088 1301 02	CABLE STRIP	4				
•100	1604 4747 01	COOLER	1				
•105	0196 1362 00	SET SCREW	2				
•113	1604 2496 00	GROMMET	1				
•114	1088 0801 33	GROMMET	1				
•115	1604 9678 00	BEAM	1				
•120	1604 9677 00	BEAM	1				
•123	1088 0803 25	GROMMET	1				
•130	0147 1362 03	HEX. HEAD SCREW	6				
•140	0301 2344 00	PLAIN WASHER	6				
•145	1615 5664 00	HEX. HEAD SCREW	3				
•150	1604 9674 00	PLATE	1				
•151	-	SILENCING FOAM (50 mm)	1				
•155	1615 5664 00	HEX. HEAD SCREW	9				
•170	1604 9676 00	PLATE	1				
•175	1615 5664 00	HEX. HEAD SCREW	9				
•190	1604 9892 00	COWL	1				
•195	1615 5664 00	HEX. HEAD SCREW	8				
•210	1604 9673 00	PLATE	1				
•220	1604 9672 00	PLATE	1				
•225	1615 5664 00	HEX. HEAD SCREW	12				
•260	1604 9675 00	COVER	2				
•265	0147 1326 03	HEX. HEAD SCREW	6				
•267	0301 2335 00	PLAIN WASHER	6				
•270	0291 1110 00	LOCKNUT	6				
•275	1615 5664 00	HEX. HEAD SCREW	6				
•300	1604 2643 01	GUARD	2				
•310	1615 5664 00	HEX. HEAD SCREW	8				
•350	0147 1323 03	HEX. HEAD SCREW	2				
•355	0301 2335 00	PLAIN WASHER	2				
•360	0291 1110 00	LOCKNUT	2				
•382	1604 3705 00	PLATE	1				
•390	1615 5664 00	HEX. HEAD SCREW	4				
•440	1604 2770 01	PIPE	2				
•445	1615 5664 00	HEX. HEAD SCREW	4				
•450	2252 6291 01	HOSE	4				
•455	0347 6100 21	HOSE CLAMP	8				
•460	1604 2786 02	HOSE	2				
•461	1604 2785 00	HOSE	2				
•465	0347 6100 23	HOSE CLAMP	12				
•470	1604 2769 01	PIPE	2				
•475	1615 5664 00	HEX. HEAD SCREW	4				
•480	1604 2586 01	PIPE	1				
•485	1604 2464 01	PIPE	1				
•490	0663 3131 00	O-RING	2				
•495	0246 1956 42	STUD	4				
•500	0333 3232 00	LOCK WASHER	4				
•505	0266 2111 00	HEXAGON NUT	4				
•520	1604 2771 01	PLATE	2				
•530	1615 5664 00	HEX. HEAD SCREW	4				

# STANDARD

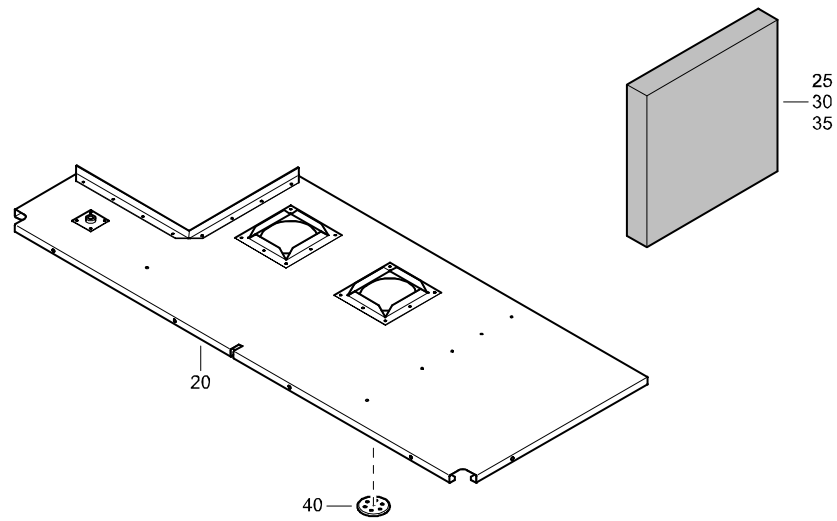
## FAN DRIVE ASSEMBLY



REF	PART NUMBER	DESIGNATION	QTY	REF	PART NUMBER	DESIGNATION	QTY
-	1604 7535 81	FAN DRIVE ASSY (From page 118, 119)		••B40	0502 1100 12	BALL BEARING	2
•25	1604 2455 81	FAN SHAFT ASSY	1	••B45	0147 1410 03	HEX. HEAD SCREW	1
••A10	1604 2455 01	FAN SHAFT	1	••B50	1615 5446 01	SPACER	1
••A20	0335 2160 00	CIRCLIP	1	••B55	1615 6034 00	TENSION PULLEY	1
••A30	0335 1140 00	CIRCLIP	1	••B60	1615 5443 00	TENSIONER	1
••A40	0502 2240 00	BALL BEARING	1	•145	0147 1412 03	HEX. HEAD SCREW	1
••A50	0502 2235 00	BALL BEARING	1	•150	0147 1377 03	HEX. HEAD SCREW	1
••A60	0335 2157 00	CIRCLIP	1	•155	1604 2665 00	SPACER	1
••A70	1615 5436 01	HOUSING	1	•160	1615 6048 00	POINTER	1
•70	0147 1403 03	HEX. HEAD SCREW	4	•165	0147 1244 03	HEX. HEAD SCREW	2
•73	0301 2358 00	PLAIN WASHER	4	•167	0333 3220 00	LOCK WASHER	2
•75	0291 1112 00	LOCKNUT	4	•168	1615 5540 00	LEVER	1
•80	1604 2490 01	SUPPORT	1	•170	0147 1379 12	HEX. HEAD SCREW	1
•85	0147 1477 03	HEX. HEAD SCREW	2	•175	0266 2111 00	HEXAGON NUT	1
•90	0301 2378 00	PLAIN WASHER	2	•180	0147 1326 03	HEX. HEAD SCREW	2
•110	1626 0668 00	FAN	1	•185	0301 2335 00	PLAIN WASHER	2
•115	0108 1320 00	SPRING PIN	1				
•120	1615 5439 00	CLAMP RING	1				
•125	0147 1363 15	HEX. HEAD SCREW	6				
•140	1615 6034 80	TENSION PULLEY ASSY	1				
••B20	0335 2146 00	CIRCLIP	1				
••B25	0291 1112 00	LOCKNUT	1				
••B30	1615 5447 00	WASHER	1				
••B35	1615 6036 00	SPACER	1				

# STANDARD

## INNER ROOF ASSEMBLY FOR COMPRESSOR WITH NOISE REGULATION CE



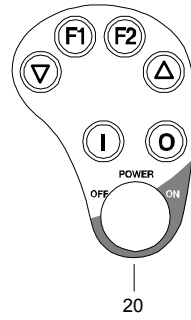
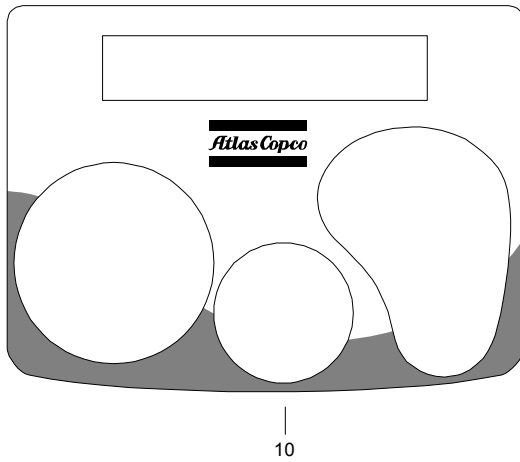
REF	PART NUMBER	DESIGNATION	QTY	REF	PART NUMBER	DESIGNATION	QTY
-	1604 7736 81	ROOF ASSY INNER	(From page 106)				
•20	1604 7736 01	PANEL	1				
•25	-	SILENCING FOAM (30 mm)	1				
•30	-	SILENCING FOAM (30 mm)	1				
•35	-	SILENCING FOAM (30 mm)	1				
•40	1615 7884 00	CLIP	26				
-	1079 0003 32	SILENCING FOAM 2000 mm x 1500 mm x 30 mm					

---

# STANDARD

## DECAL ASSEMBLY

---



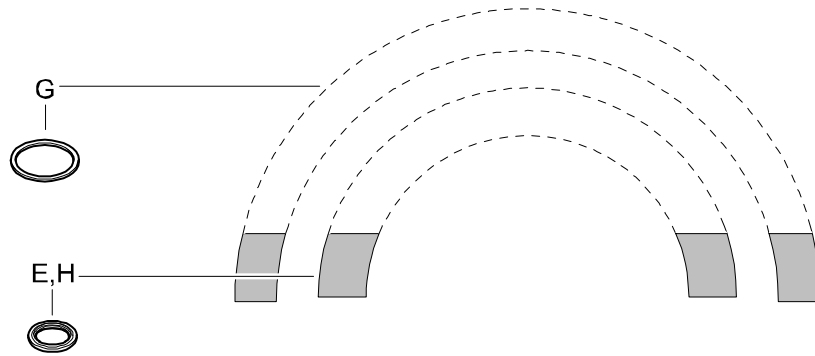
REF	PART NUMBER	DESIGNATION	QTY	REF	PART NUMBER	DESIGNATION	QTY
-	1604 4247 80	DECAL ASSEMBLY	(From page 128)				
•10	1604 4248 00	DECAL	1				
•20	1604 4249 00	DECAL	1				

---

# Parts from Service Pak

(ACTUAL SIZE)

---



REF	PART NUMBER	DESIGNATION	QTY	REF	PART NUMBER	DESIGNATION	QTY
-	-	PARTS FROM SERVICE PAK <a href="#">(From page 19)</a>					
•E	-	SEALING WASHER					
•G	-	FLAT GASKET					
•H	-	SEALING WASHER					







[www.atlascopco.com](http://www.atlascopco.com)

Printed in Belgium 09/2007 - 2955 0240 02