

[Previous Screen](#)

< Product: GENERATOR SET
Model: 3456 GENERATOR SET C4G
Configuration: 3456 Generator Set C4G00001-UP

Operation and Maintenance Manual

3456 Generator Sets

Media Number -SEBU7829-03

Publication Date -01/03/2006

Date Updated -22/03/2006

i02239650

Fan Drive Bearing - Lubricate

SMCS - 1359-086-BD

Some of the fan drives have grease fittings and some of the fan drives do not have grease fittings. If there is no grease fitting, periodic lubrication is not required. The fan drive requires grease only if the fan drive is equipped with a zerk.

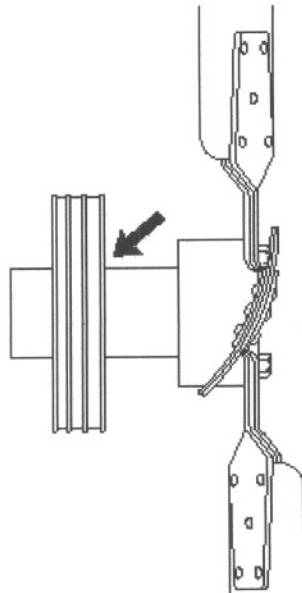


Illustration 1

g00746166

Typical location of the grease fitting (if equipped) that is for the fan drive bearing

The pulley is shown with the belt guards that have been removed.

Lubricate the grease fitting that is on the fan drive bearing with Bearing Lubricant or the equivalent.

Inspect the fan drive pulley assembly for wear or for damage. If the shaft is loose, an inspection of the internal components should be performed. Refer to the Service Manual for additional information.

Copyright 1993 - 2007 Caterpillar Inc.
All Rights Reserved.
Private Network For SIS Licensees.

Sat Jan 13 20:47:21 EST 2007