

[Previous Screen](#)

< Product: GENERATOR SET
Model: 3456 GENERATOR SET C4G
Configuration: 3456 Generator Set C4G00001-UP

Operation and Maintenance Manual

3456 Generator Sets

Media Number -SEBU7829-03

Publication Date -01/03/2006

Date Updated -22/03/2006

i01250684

Fuel System Secondary Filter - Replace

SMCS - 1261-510-SE



WARNING

Fuel leaked or spilled onto hot surfaces or electrical components can cause a fire. To help prevent possible injury, turn the start switch off when changing fuel filters or water separator elements. Clean up fuel spills immediately.

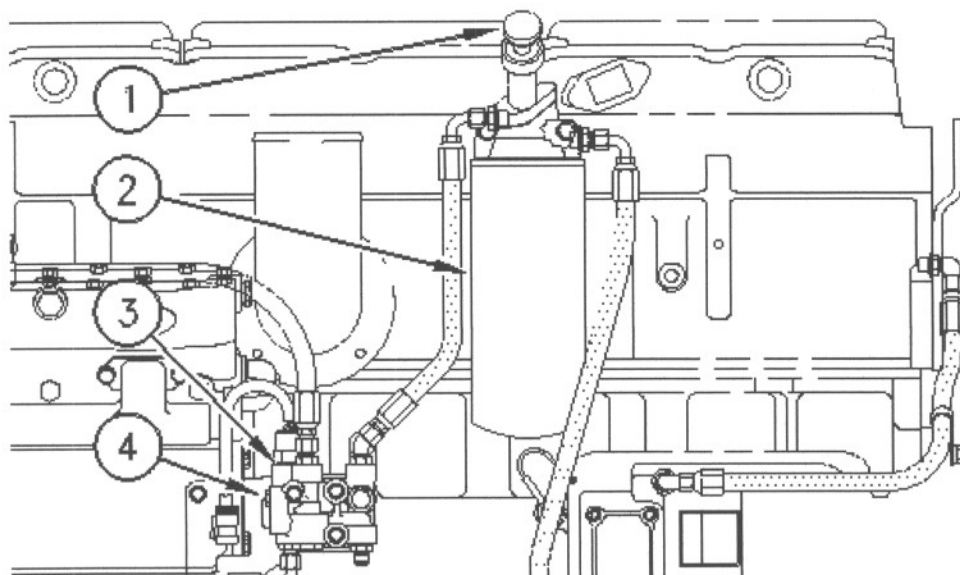


Illustration 1

g00410343

(1) Fuel priming pump

(2) Fuel filter

(3) Fuel block

(4) Fuel filter air purge plug

NOTICE

Do not allow dirt to enter the fuel system. Thoroughly clean the area around a fuel system component that will be disconnected. Fit a suitable cover over any disconnected fuel system components.

NOTICE

Use a suitable container to catch any fuel that might spill. Clean up any spilled fuel immediately.

1. It may be necessary to relieve residual fuel pressure from the fuel system before removing the fuel filter.

Loosen the fuel filter air purge plug (4) in order to purge any residual pressure.

NOTICE

Do not loosen fuel lines or fittings at the fuel manifold or ECM. The engine components may be damaged.

2. Remove the used fuel filter.
3. Clean the gasket sealing surface of the fuel filter base. Ensure that all of the old gasket is removed.
4. Apply clean diesel fuel to the new fuel filter gasket.

NOTICE

In order to maximize fuel system life and prevent premature wear out from abrasive particles in the fuel, a two micron absolute high efficiency fuel filter is required for all Caterpillar Electronic Unit Injectors. Caterpillar High Efficiency Fuel Filters meet these requirements. Consult your Caterpillar dealer for the proper part numbers.

NOTICE

Do not fill the secondary fuel filter with fuel before installing. The fuel would not be filtered and could be contaminated. Contaminated fuel will cause accelerated wear to fuel system parts.

5. Install the new fuel filter. Spin the fuel filter onto the fuel filter base until the gasket contacts the base. Use the rotation index marks on the filters as a guide for proper tightening. Tighten the filter for an additional 3/4 turn by hand. Do not overtighten the filter.
6. Open the fuel tank supply valve and prime the fuel system.