

# Service Manual

---

**VR3F Voltage Regulator  
Permanent Magnet Excited  
SR4 Generators**

---



# Important Safety Information

Most accidents involving product operation, maintenance and repair are caused by failure to observe basic safety rules or precautions. An accident can often be avoided by recognizing potentially hazardous situations before an accident occurs. A person must be alert to potential hazards. This person should also have the necessary training, skills and tools to perform these functions properly.

**Improper operation, lubrication, maintenance or repair of this product can be dangerous and could result in injury or death.**

**Do not operate or perform any lubrication, maintenance or repair on this product, until you have read and understood the operation, lubrication, maintenance and repair information.**

Safety precautions and warnings are provided in this manual and on the product. If these hazard warnings are not heeded, bodily injury or death could occur to you or other persons.

The hazards are identified by the "Safety Alert Symbol" and followed by a "Signal Word" such as "WARNING" as shown below.



The meaning of this safety alert symbol is as follows:

**Attention! Become Alert! Your Safety is Involved.**

The message that appears under the warning, explaining the hazard, can be either written or pictorially presented.

Operations that may cause product damage are identified by NOTICE labels on the product and in this publication.

Caterpillar cannot anticipate every possible circumstance that might involve a potential hazard. The warnings in this publication and on the product are therefore not all inclusive. If a tool, procedure, work method or operating technique not specifically recommended by Caterpillar is used, you must satisfy yourself that it is safe for you and others. You should also ensure that the product will not be damaged or made unsafe by the operation, lubrication, maintenance or repair procedures you choose.

The information, specifications, and illustrations in this publication are on the basis of information available at the time it was written. The specifications, torques, pressures, measurements, adjustments, illustrations, and other items can change at any time. These changes can affect the service given to the product. Obtain the complete and most current information before starting any job. Caterpillar dealers have the most current information available. For a list of the most current publication form numbers available, see the Service Manual Contents Microfiche, REG1139F.

# Index

## Systems Operation

Introduction .....	4
Medium Voltage Generators (Voltages above 600 VAC) .....	5
Operation .....	4

## Testing And Adjusting

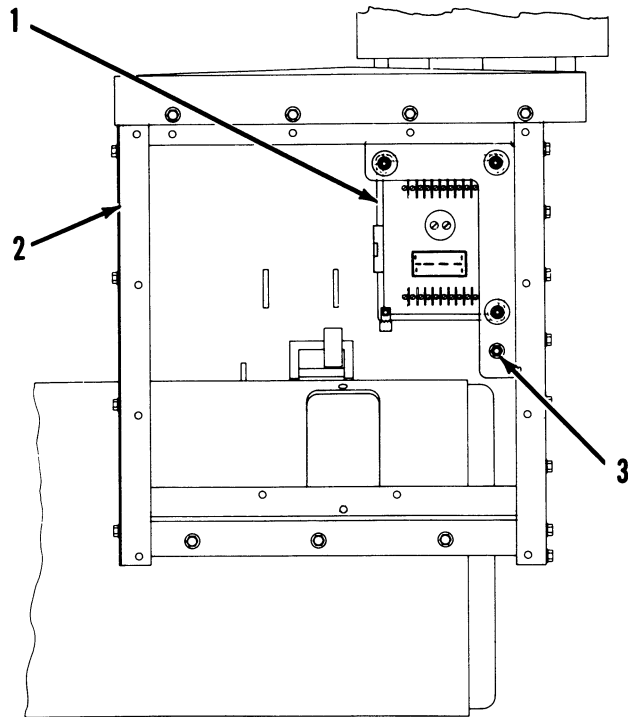
Bench Test .....	14
Schematics – Permanent Magnet Excited Generators .....	7
Test Equipment .....	6
Troubleshooting .....	11
Introduction .....	11
Problem 1 - No AC Voltage .....	11
Problem 2 - Low AC Voltage .....	12
Problem 3 - High AC Voltage .....	13
Problem 4 - Unstable AC Voltage .....	13
Problem List .....	11

## Attachments

Manual Voltage Control .....	16
Remote Voltage Control .....	15
Voltage Droop Transformer And Adjustment Rheostat For Parallel Operation .....	18

# Systems Operation

## Introduction



C21017P2

### SR4 Generator (Partial View)

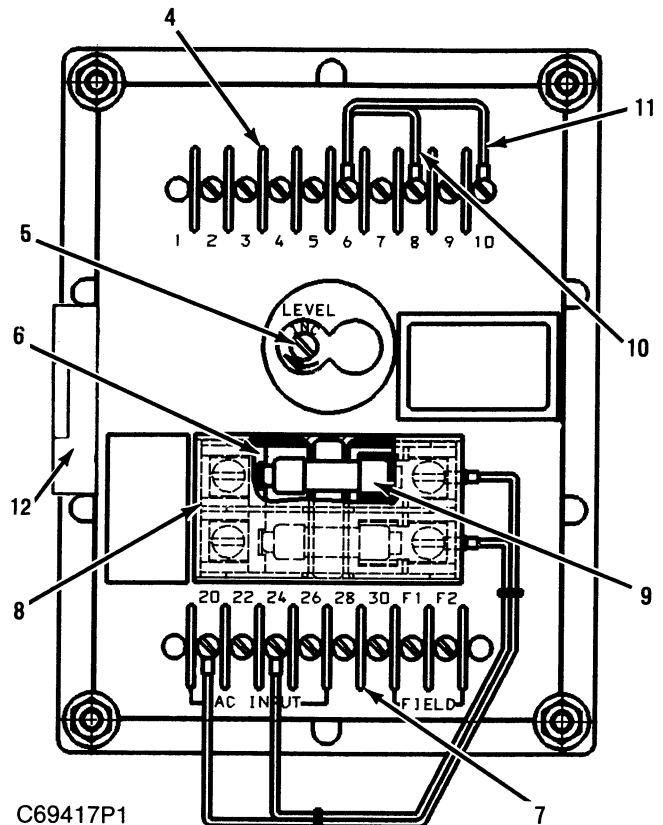
(1) VR3F regulator. (2) Terminal box. (3) Droop rheostat location.

This manual covers the VR3F regulator used on the permanent magnet (PM) excited SR4 generator. This manual must be used in conjunction with service manual Electric Set Generators SENR7958 and Operation And Maintenance Manual SEBU6150.

**Follow all safety procedures and warnings in the above generator manuals.**

VR3F regulator (1) is located in generator terminal box (2).

## Operation



C69417P1

### VR3F Regulator

(4) Terminal strip (for attachments). (5) Rheostat (voltage level). (6) Fuse holder. (7) Terminal strip (for sensing and power). (8) Fuse cover. (9) Fuses. (10) Jumper (for selecting 1x1 or 2x1 slope). (11) Jumper (for selecting 50 Hz or 60 Hz operation). (12) Fuses (PM stator fuses).

The purpose of the VR3F regulator is to keep generator output voltage at a rated value. There is one control on the VR3F that is standard.

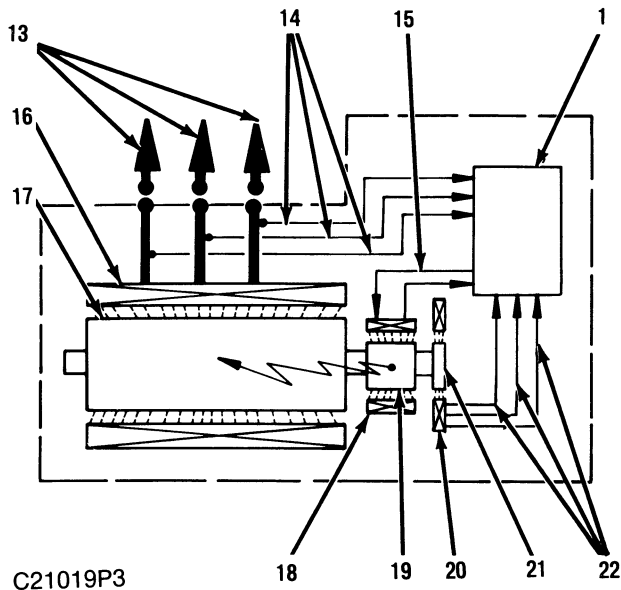
- Voltage level rheostat (5) provides a no load voltage adjustment of approximately +10 to -25%.

Additional features built into the VR3F are:

- Jumper (10) provides a means of selecting a 1x V/Hz or a 2x V/Hz slope. The 2x V/Hz slope will help the generator set pick up a full block load. 2x V/Hz operation is selected by removing jumper (10).
- Jumper (11) provides a means of selecting a 50 Hz or 60 Hz operating frequency. Remove jumper (11) for 50 Hz frequency operation.

Rheostat (5) is multiple turn. It does not have a fixed stop at the end of travel, but has an override ratchet.

## Medium Voltage Generators (Voltage above 600 VAC)



**SR4 Generator Schematic**  
(Permanent Magnet Excited)  
(1) VR3F regulator. (13) Lines (3-phase output voltage). (14) Lines (sensing voltage). (15) Lines (VDC excitation voltage). (16) Main stator. (17) Main rotor. (18) Exciter stator. (19) Exciter rotor. (20) PM stator. (21) Permanent magnet. (22) Lines [AC power to (1)].

VR3F regulator (1) uses all three phases to sense generator output voltage. Lines (14) function as sensing lines. Lines (14) connect generator output lines (13) to VR3F regulator (1) at terminals 20, 22 and 24 (AC input) on fuses (9) and terminal strip (7). The VR3F regulates voltage based on 1x volts per hertz or 2x volts per hertz. The VR3F offers an approximate 8 volts per hertz (1x) or 16 volts per hertz (2x) characteristic on 480V generators.

Lines (22) are used to provide three phase AC power for excitation to the VR3F regulator. Through permanent magnet (21) and stator (20), three phase AC power for excitation voltage is generated. Regulator (1) rectifies the three phase AC voltage to DC voltage. Regulator (1) controls the DC excitation voltage based on the level of the sensing voltage on lines (14). The DC excitation voltage passes through lines (15) to exciter stator (18).

In-line fuses (12) limit the field current in the case of an internal short circuit or loss of sensing signal.

Fuses (9) are used to protect the VR3F from internal faults and exciter faults.

**NOTE:** To ensure proper generator operation, the VR3F regulator must be connected as shown in this manual; T1 or T7 to 22, T2 or T8 to 24, and T3 or T9 to 20.

The VR3F regulator is connected differently on medium voltage generators. The only differences are:

- The regulator uses 100/120 VAC three phase (delta or open delta) sensing through a transformer.
- The transformer is supplied by the customer.
- The regulator is located with the switch gear, instead of being mounted in the generator terminal box.

**NOTE:** The VR3F PM regulator has an over excitation circuit which will allow the VR3F regulator to provide forcing for 10 to 30 seconds. The amount of forcing time depends on the continuous excitation level before the VR3F regulator goes into a forcing condition. The higher the continuous excitation level, the faster the VR3F regulator over excitation circuit will trip. Once the over the excitation circuit trips, the regulator will be disabled and the generator output voltage will fall to residual voltage. To reset the regulator, the generator set has to be turned OFF for at least one minute.

**NOTE:** When operating the VR3F regulator at speeds below 1200 rpm on four pole generators and 900 rpm on six pole generators, the VR3F regulator should be disabled. Otherwise the regulator could go to high voltage.

**NOTE:** If it is required to provide a shutoff for the VR3F regulator, connect a three pole double throw switch (rated 15 A, 120 VAC) in lines 26, 28 and 30 (11 GEN, 12 GEN and 30 GEN).

## Testing And Adjusting

### WARNING

When servicing or repairing electric power generation equipment, do the following:

- Make sure the unit is off-line (disconnected from utility and/or other generators power service), and either locked out or tagged "DO NOT OPERATE".
- Make sure the generator engine is stopped.
- Make sure all batteries are disconnected.
- Make sure all capacitors are discharged.

When power generation equipment must be in operation to make tests and/or adjustments, high voltage and current are present. Make sure the testing equipment is designed for and correctly operated for the high voltage and current tests being made. Improper test equipment may fail and present a high voltage shock hazard to its user.

### WARNING

Do not connect the generator to a utility electrical distribution system, unless it is isolated from the system. Electrical feedback into the distribution system can occur and could cause personal injury or death.

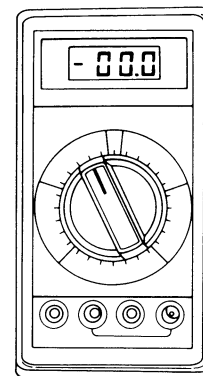
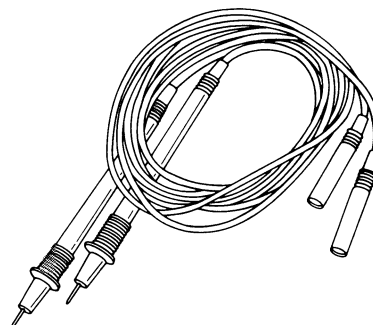
Open and secure the main distribution system switch or, if the connection is permanent, install a double throw transfer switch to prevent electrical feedback. Some generators are specifically approved by a utility to run in parallel with the distribution system and isolation may not be required. Always check with your utility as to the applicable circumstances.

### NOTICE

At all times during operation of a permanent magnet excited generator, the VR3F voltage sensing circuit must be complete. The VR3F voltage sensing lines MUST NOT be open (broken or disconnected). The VR3F fuses MUST be installed. Operating with the voltage sensing circuit open, causes the generator output voltage to go extremely high. Damage to related equipment can occur.

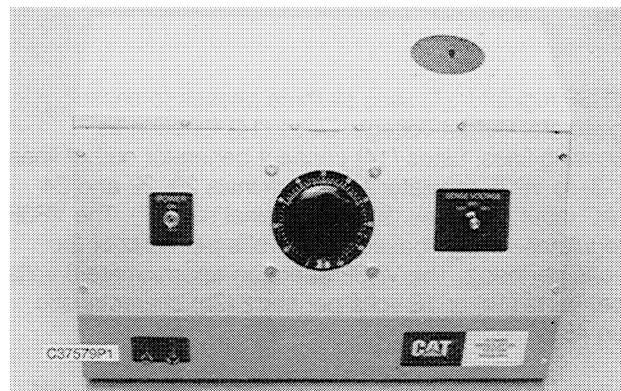
## Test Equipment

C37282P1



6V7070 Heavy Duty Digital Multimeter

Caterpillar Digital Multimeters measure voltage, resistance or current up to 10 amps. The diode function checks rectifiers. See Special Instruction SEHS7734 for the operation of 6V7070.

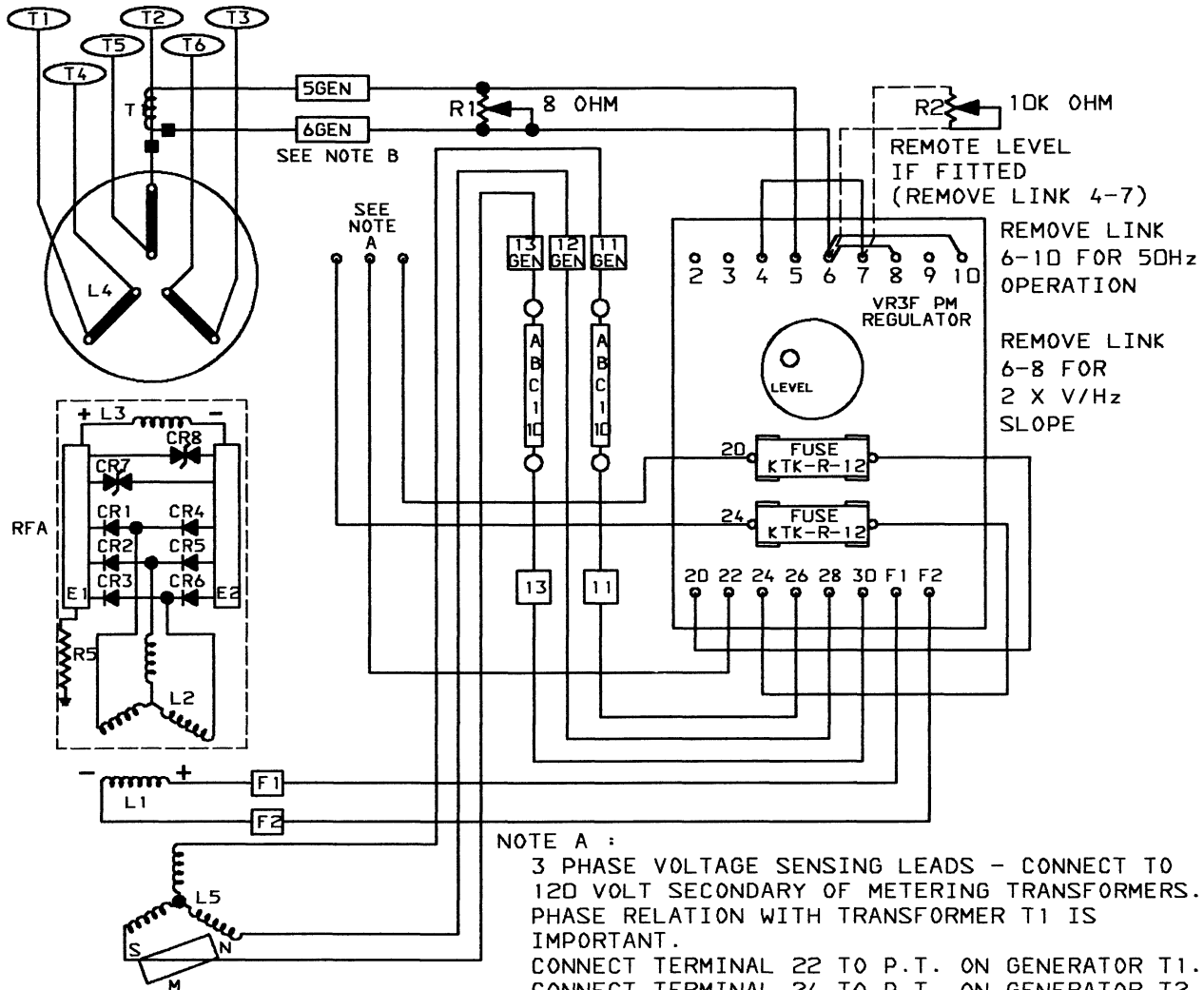


4C4693 Regulator Tester

The 4C4693 Regulator Tester is a bench top instrument used to test VR3F regulators. This provides a way to check a regulator without using a generator set. When using this tester to test a VR3F regulator at 60 Hz, connect jumper across terminals 6 and 10. When using this tester to test a VR3F regulator at 50 Hz, remove jumper across terminals 6 and 10.

# Schematics – Permanent Magnet Excited Generators

## Medium Voltage Generator With Two PM Fuses



**NOTE B :**

DROOP TRANSFORMER & DROOP RHEOSTAT - CUSTOMER INSTALLED - PASS LINE CABLE THROUGH TRANSFORMER WINDOW WITH POLARITY AS SHOWN.

- CR1-6 ROTATING RECTIFIERS
- CR7,8 SURGE SUPPRESSION DIODES
- E1 POSITIVE HEAT SINK
- E2 NEGATIVE HEAT SINK
- L1 EXCITER FIELD (STATOR)
- L2 EXCITER ARMATURE (ROTOR)
- L3 ROTATING FIELD (MAIN ROTOR)
- L4 STATOR (MAIN STATOR)

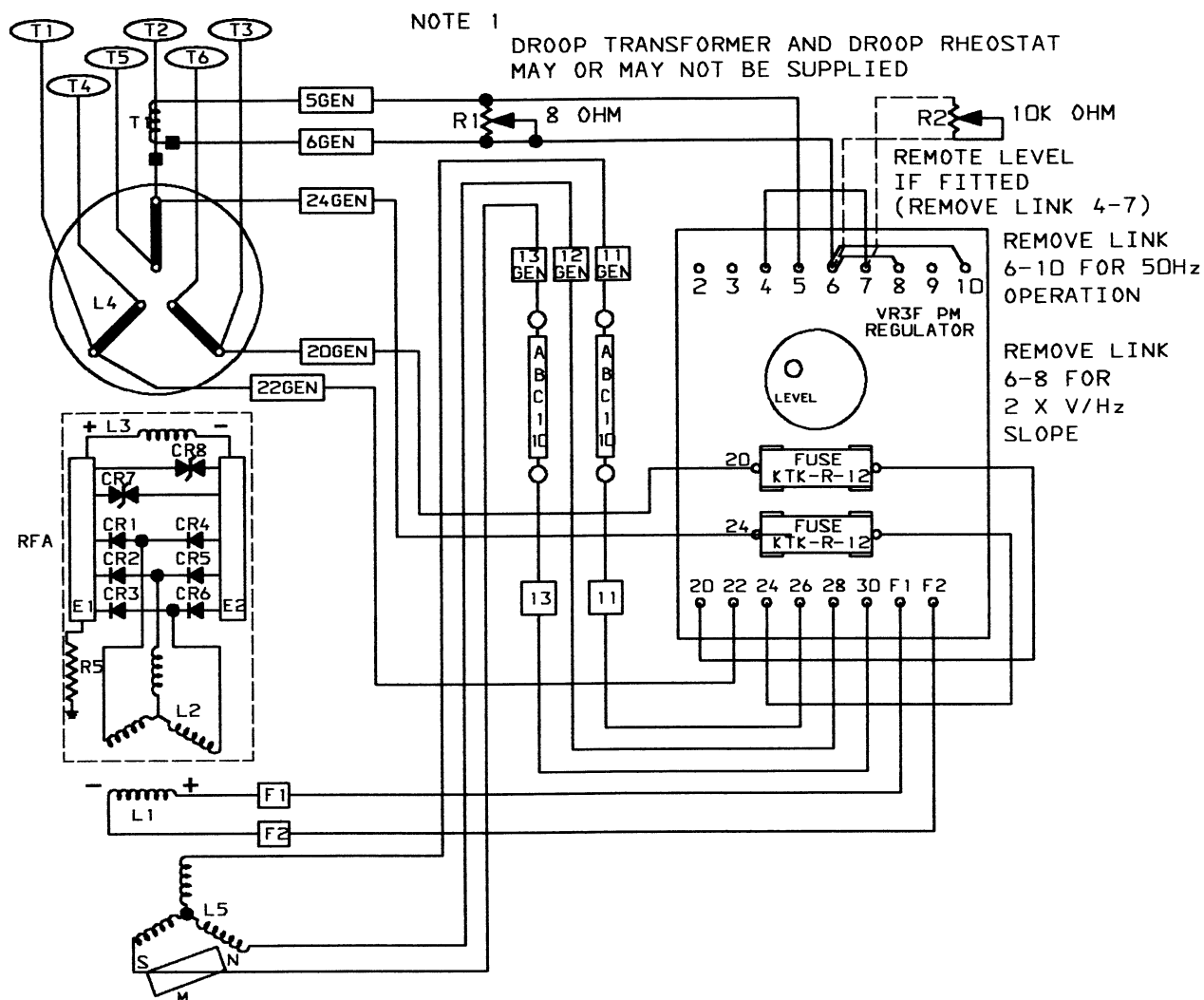
- L5 PM EXCITER STATOR
- M ROTATING PERMANENT MAGNET
- R1 VOLTAGE DROOP RHEOSTAT (SEE NOTE B)
- R2 REMOTE LEVEL RHEOSTAT
- R5 SUPPRESSION RESISTOR
- RFA REVOLVING FIELD ASS'Y
- T1 VOLTAGE DROOP TRANSFORMER (SEE NOTE B)
- TERMINAL BOARD NUMBER
- WIRE NUMBER
- POLARITY MARKING

SR-4 MEDIUM VOLTAGE GENERATOR SCHEMATIC (PERMANENT MAGNETIC EXCITED W/ 2 PM FUSES)

NOTE : VR3F PM REGULATOR. TERMINAL 26 IS CONNECTED TO PMG OUTPUT AND NOT TO GENERATOR NEUTRAL (TD) AS ON PREVIOUS REGULATORS.

C69411P1

## 4/6 Lead Generator With Two PM Fuses



NOTE 1

DRPOOP TRANSFORMER AND DRPOOP RHEOSTAT  
MAY OR MAY NOT BE SUPPLIED

CR1-6 ROTATING RECTIFIERS  
CR7,8 SURGE SUPPRESSION DIODES  
E1 POSITIVE HEAT SINK  
E2 NEGATIVE HEAT SINK  
L1 EXCITER FIELD (STATOR)  
L2 EXCITER ARMATURE (ROTOR)  
L3 ROTATING FIELD (MAIN ROTOR)  
L4 STATOR (MAIN STATOR)

L5 PM EXCITER STATOR  
M ROTATING PERMANENT MAGNET  
R1 VOLTAGE DRPOOP RHEOSTAT (SEE NOTE 1)  
R2 REMOTE LEVEL RHEOSTAT  
R5 SUPPRESSION RESISTOR  
RFA REVOLVING FIELD ASS'Y  
T1 VOLTAGE DRPOOP TRANSFORMER (SEE NOTE 1)  
○ TERMINAL BOARD NUMBER  
□ WIRE NUMBER  
■ POLARITY MARKING

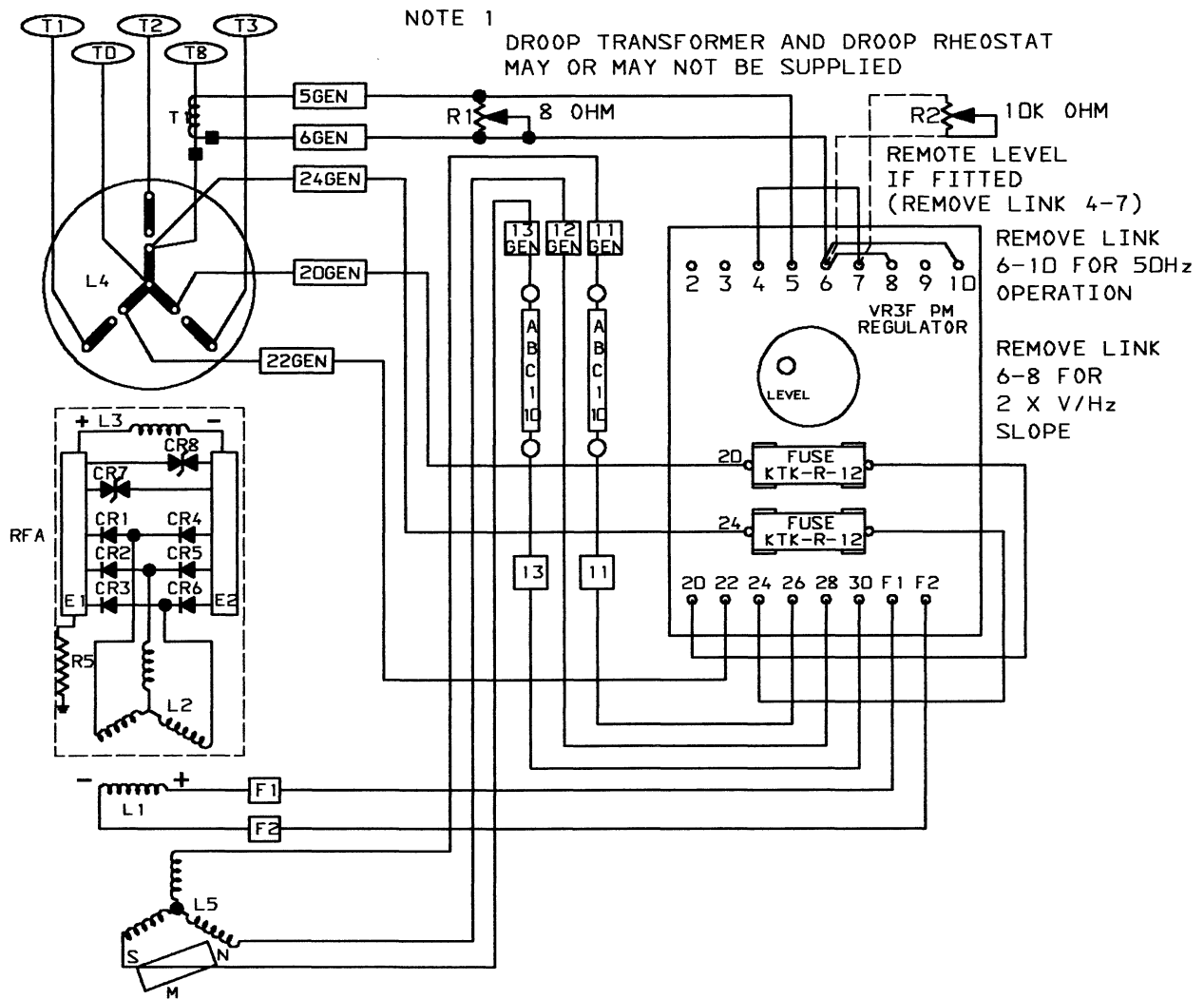
SR-4 GENERATOR SCHEMATIC (4/6 LEAD, PERMANENT MAGNETIC EXCITED  
W/ 2 PM FUSES)

NOTE : GENERATOR STATOR LEADS TERMINALS T4, T5 AND T6 CAN BE CONNECTED  
TO FORM THE NEUTRAL LEAD (TD) ON SIX LEAD GENERATORS.

NOTE : VR3F PM REGULATOR, TERMINAL 26 IS CONNECTED TO PMG OUTPUT AND NOT TO  
GENERATOR NEUTRAL (TD) AS ON PREVIOUS REGULATORS.

C69412P1

# 10/12 Lead Generator With Two PM Fuses



NOTE 1  
DROOP TRANSFORMER AND DROOP RHEOSTAT  
MAY OR MAY NOT BE SUPPLIED

CR1-6 ROTATING RECTIFIERS  
 CR7,8 SURGE SUPPRESSION DIODES  
 E1 POSITIVE HEAT SINK  
 E2 NEGATIVE HEAT SINK  
 L1 EXCITER FIELD (STATOR)  
 L2 EXCITER ARMATURE (ROTOR)  
 L3 ROTATING FIELD (MAIN ROTOR)  
 L4 STATOR (MAIN STATOR)

L5 PM EXCITER STATOR  
 M ROTATING PERMANENT MAGNET  
 R1 VOLTAGE DROOP RHEOSTAT (SEE NOTE 1)  
 R2 REMOTE LEVEL RHEOSTAT  
 R5 SUPPRESSION RESISTOR  
 RFA REVOLVING FIELD ASS'Y  
 T1 VOLTAGE DROOP TRANSFORMER (SEE NOTE 1)  
 ○ TERMINAL BOARD NUMBER  
 □ WIRE NUMBER  
 ■ POLARITY MARKING

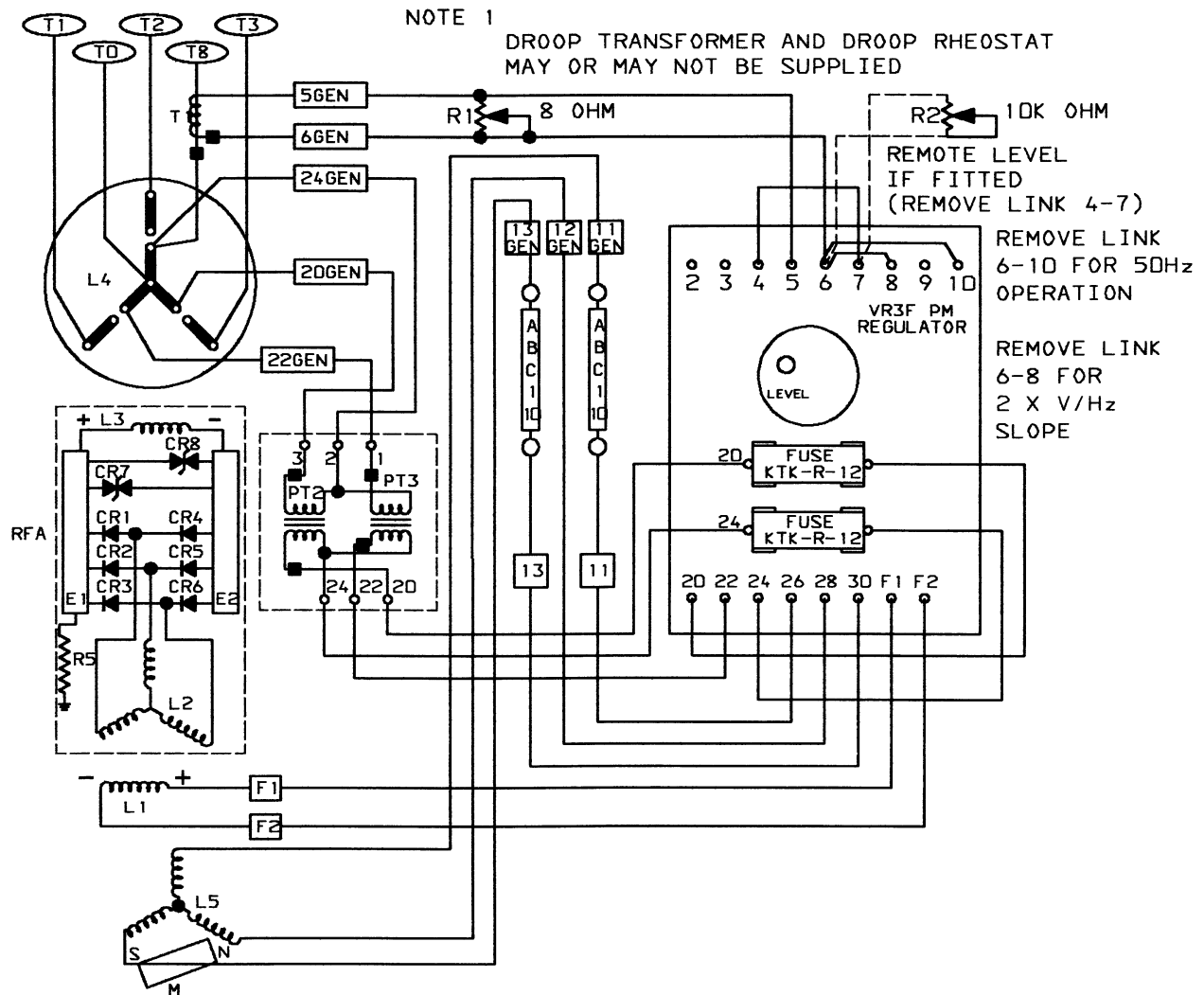
SR-4 GENERATOR SCHEMATIC (10-12 LEAD, PERMANENT MAGNETIC EXCITED W/ 2 PM FUSES)

NOTE : GENERATOR STATOR LEADS TERMINALS T10, T11 AND T12 CAN BE CONNECTED TO FORM THE NEUTRAL LEAD (TO) ON TWELVE LEAD GENERATORS.

NOTE : VR3F PM REGULATOR, TERMINAL 26 IS CONNECTED TO PMG OUTPUT AND NOT TO GENERATOR NEUTRAL (TO) AS ON PREVIOUS REGULATORS.

C69413P1

# SR4 Generator With Sensing/Isolation Transformer And Two PM Fuses



NOTE 1  
DROOP TRANSFORMER AND DROOP RHEOSTAT  
MAY OR MAY NOT BE SUPPLIED

REMOTE LEVEL  
IF FITTED  
(REMOVE LINK 4-7)  
REMOVE LINK  
6-10 FOR 50Hz  
OPERATION  
REMOVE LINK  
6-8 FOR  
2 X V/Hz  
SLOPE

CR1-6 ROTATING RECTIFIERS  
CR7,8 SURGE SUPPRESSION DIODES  
E1 POSITIVE HEAT SINK  
E2 NEGATIVE HEAT SINK  
L1 EXCITER FIELD (STATOR)  
L2 EXCITER ARMATURE (ROTOR)  
L3 ROTATING FIELD (MAIN ROTOR)  
L4 STATOR (MAIN STATOR)  
L5 PM EXCITER STATOR

M ROTATING PERMANENT MAGNET  
PT2,3 SENSING/ISOLATION TRANSFORMER  
R1 VOLTAGE DROOP RHEOSTAT (SEE NOTE 1)  
R2 REMOTE LEVEL RHEOSTAT  
R5 SUPPRESSION RESISTOR  
RFA REVOLVING FIELD ASS'Y  
T1 VOLTAGE DROOP TRANSFORMER (SEE NOTE 1)  
○ TERMINAL BOARD NUMBER  
□ WIRE NUMBER  
■ POLARITY MARKING

SR-4 GENERATOR SCHEMATIC (PERMANENT MAGNETIC EXCITED W/ CONNECTED SENSING ISOLATION TRANSFORMER & 2 PM FUSES)

NOTE : GENERATOR STATOR LEADS TERMINALS T10, T11 AND T12 CAN BE CONNECTED TO FORM THE NEUTRAL LEAD (T0) ON TWELVE LEAD GENERATORS.

NOTE : VR3F PM REGULATOR, TERMINAL 26 IS CONNECTED TO PMG OUTPUT AND NOT TO GENERATOR NEUTRAL (T0) AS ON PREVIOUS REGULATORS.

C69414P1

# Troubleshooting

## Introduction

Check for loose or corroded terminals. Make sure wire connections are correct. Check the accuracy of the voltmeter and frequency meter/tachometer.

To reduce troubleshooting time, simplify the system or circuit by eliminating non-essential components such as remote voltage control, manual control, etc. If, at this point, it is determined that the basic system is functioning, the circuits or components can be added back in, one at a time until the problem is located.

If elimination of non-essential components does not correct the problem, the troubleshooting procedure will check components in the basic system. If all other basic components (i.e. rotating field assembly, exciter stator, etc.) are operating correctly, then replace the VR3F regulator. As a last step after confirming correct operation under no load conditions, operate the generator under a load.

The VR3F regulator is serviced as a complete unit. The regulator fuses are the only replaceable part. **VR3F regulators must be checked through the bench test before making a claim on warranty (see Bench Test).**

---

### NOTICE

Do not operate the generator with sensing leads 20, 22 and 24 disconnected or with the fuses removed. To do so will result in high unstable generator output voltage.

---

## Problem List

Problem 1 - No AC Voltage.

Problem 2 - Low AC Voltage.

Problem 3 - High AC Voltage.

Problem 4 - Unstable AC Voltage.

## Problem 1 - No AC Voltage

### Procedure A - Check AC Voltage At Regulator Between Terminals 20 And 22

- If voltage is above 200 volts for a 240V or 600V generator, or above 390 volts for a 480V generator, or above 100 volts for medium voltage generators (120 volt sensing):  
Check meters.
- If 0 to 15 volts:  
Go to Procedure B.

### Procedure B - Check All Fuses Located On The Regulator Or In Line With PM Stator Leads 11, 12 And 13

- If fuse(s) have failed:  
Look for possible short circuits that could cause fuse failure such as shorted exciter field L1, etc.
- If fuse(s) are okay:  
Go to Procedure C.

### Procedure C - Isolate Regulator

Disconnect leads from regulator terminals F1 and F2. Connect a 12 volt automotive type battery across exciter leads F1 (+) and F2 (-). Operate generator at half of the rated speed. Then slowly increase rpm.

- If voltage at regulator terminals 20 and 22 is 0 to 15 volts (AC), shutdown the generator and:
  - a. Check exciter stator L1 continuity.
  - b. Check rotating rectifiers CR1-6 (rotating rectifier block).
  - c. Check surge suppression diodes CR7-8 (varistors).
  - d. Check main rotor L3 continuity.
  - e. Check exciter rotor L2 continuity.
  - f. Check continuity of main stator L4 sensing wires 20, 22 and 24.

**NOTE:** For more information, see SR4 Generator Service Manual, Form No. SENR3985.

- If balanced AC voltage between regulator terminals 20-22-24 and not balanced between terminals 26-28-30 that increases with rpm:  
Stop the engine. Disconnect wires 12 and 13 that go to the PM exciter. Check the PM exciter wires for a balanced resistance between 12-13, 11-12 and 11-13. Each resistance measured must be in the range of .2 to .75 ohms. The three resistance measurements must also be within  $\pm 10\%$  of each other.

- If balanced AC voltage between regulator terminals 20-22-24 and between terminals 26-28-30 that increases with rpm:

Go to Procedure D.

### Procedure D - Isolate Attachments

Reconnect leads to regulator terminals F1 and F2. Disconnect all attachments such as manual voltage control, remote voltage control, droop transformer, etc.

**NOTE:** If remote mounted voltage adjustment is disconnected, connect jumper across terminals 4 and 7.

Check all connections to regulator and the regulator fuses.

- If generator output voltage is normal:
  - Check attachments.
- If voltage at regulator terminals 20 and 22 is 0 to 15 volts:
  - Replace regulator.
  - Bench test the regulator; see Bench Test.

## Problem 2 - Low AC Voltage

### Procedure A - Check Engine RPM (Frequency)

Gen. Poles	Frequency	RPM
6	50 Hz.	1000
6	60 Hz.	1200
4	50 Hz.	1500
4	60 Hz.	1800

### Procedure B - Adjust Voltage Level

The voltage level adjustment range must be within +10 to -25% of rated voltage.

- If the voltage level cannot be adjusted as described:
  - Check accuracy of voltmeter.
  - Go to Procedure C.

### Procedure C - Check AC Voltage Between Regulator Terminals 20 And 22

Check the jumper for selecting 50/60 Hz operation. For 60 Hz operation, a jumper is required from terminal 6 to terminal 10.

- If voltage is above 200 volts for a 240V or 600V generator, or above 390 volts for a 480V generator, or above 100 volts for medium voltage generators (120 volt sensing):
  - Check meters.
- If voltage is lower than 200 volts for a 240V or 600V generator, or lower than 390 volts for a 480V generator, or lower than 100 volts for medium voltage generators (120 volt sensing):
  - Go to Procedure D.

### Procedure D - Isolate Regulator

Disconnect leads from regulator terminals F1 And F2. Connect a 12 volt automotive type battery across exciter leads F1 (+) and F2 (-). Operate generator at half of the rated speed. Then slowly increase RPM.

- If voltage at regulator terminals 20 and 22 is less than 100 volts, shutdown the generator and:
  - Check rotating rectifiers CR1-6 (rotating rectifier block).
  - Check surge suppression diodes CR7-8 (varistors).
  - Check exciter stator L1 resistance between F1 and F2 leads. Exciter stator resistance should be approximately 3 to 5 ohms.

**NOTE:** For more information, see SR4 Generator Service Manual, Form No. SENR3985.

- If balanced AC voltage between regulator terminals 20-22-24 and not balanced between terminals 26-28-30 that increases with rpm:
  - Check permanent magnet PM exciter voltage. Disconnect wires 12 and 13, that go to the PM exciter. Check the PM exciter between wires 11-12-13 for a balanced voltage increasing with speed and greater than 50 VAC at rated speed.
- If balanced AC voltage between regulator terminals 20-22-24 and between terminals 26-28-30 that increases with rpm:
  - Go to Procedure E.

### Procedure E - Isolate Attachments

Connect exciter stator L1 leads to regulator terminals F1 and F2. Disconnect all attachments such as manual voltage control, remote voltage control, droop transformer, etc.

**NOTE:** If remote mounted voltage adjustment is disconnected, connect jumper across terminals 4 and 7.

Check all connections to the regulator and the regulator fuses.

- If generator output voltage is normal:  
Check attachments.
- If voltage at regulator terminals 20 and 22 cannot be adjusted to rated voltage at rated frequency with no load:
  - a. Check the jumper for selecting 50/60 Hz operation. For 60 Hz operation, a jumper is required from terminal 6 to terminal 10.
  - b. Replace regulator.
  - c. Bench test the regulator; see Bench Test.

### Problem 3 - High AC Voltage

#### Procedure A - Check Engine RPM (Frequency)

Gen. Poles	Frequency	RPM
6	50 Hz.	1000
6	60 Hz.	1200
4	50 Hz.	1500
4	60 Hz.	1800

#### Procedure B - Adjust Voltage Level

The voltage level adjustment range must be within +10 to -25% of rated voltage.

- If the voltage level cannot be adjusted as described:
  - a. Check accuracy of voltmeter.
  - b. Go to Procedure C.

#### Procedure C - Check Fuses Located On Regulator

- If fuse(s) have failed:  
Look for possible short circuits that could cause fuse failure such as shorted exciter stator L1, etc.
- If fuse(s) are okay:  
Go to Procedure D.

### Procedure D - Check Connections To Regulator

- If connections are correct:  
Go to Procedure E.

### Procedure E - Isolate Attachments

Disconnect attachments such as manual voltage control, etc. Operate at rated rpm.

**NOTE:** If remote mounted voltage adjustment is disconnected, connect jumper across terminals 4 and 7.

- If generator output voltage is normal:  
Check attachments.
- If voltage cannot be adjusted to rated voltage at rated frequency:
  - a. Replace regulator.
  - b. Bench test the regulator; see Bench Test.

### Problem 4 - Unstable AC Voltage

#### Procedure A - Check Engine RPM

- If governor operation is unstable:
  - a. Correct engine problem. Reference engine service manual.
  - b. Go to Procedure B.

#### Procedure B - Check for loose connections

- If connections are good:  
Go to Procedure C.

#### Procedure C - Isolate Regulator

Disconnect leads F1 and F2 from their respective terminals on the regulator. Connect a 12 volt automotive type battery across exciter leads F1 and F2. Operate at half of rated speed and then slowly increase rpm.

- If voltage at regulator terminals 20-22 is unstable, shutdown the generator and:
  - a. Check connections to rotating rectifiers CR1-6 (rotating rectifier block), main field poles and other connections on the rotating (revolving) field.
  - b. Check connections to exciter stator L1.
  - c. Check permanent magnet (PM) exciter voltage. Disconnect wires 12 and 13 that go to the PM exciter. Check the PM exciter between wires 11-12-13 for a balanced voltage that increases with speed and is greater than 50VAC at rated speed.

- If stable balanced AC voltage between regulator terminals 20-22-24 that increases with rpm:  
Go to Procedure D.

**Procedure D - Isolate Attachments**

Reconnect leads to regulator terminals F1 and F2. Disconnect all attachments such as manual voltage control, remote voltage control, droop transformer, etc.

**NOTE:** If remote mounted voltage adjustment is disconnected, connect jumper across terminals 4 and 7.

Check all connections to the regulator and regulator fuses.

- If generator output voltage is normal:  
Check attachments.
- If voltage at regulator terminals 20-22 is unstable at rated frequency with no load:
  - a. Replace regulator.
  - b. Bench test the regulator; see Bench Test.

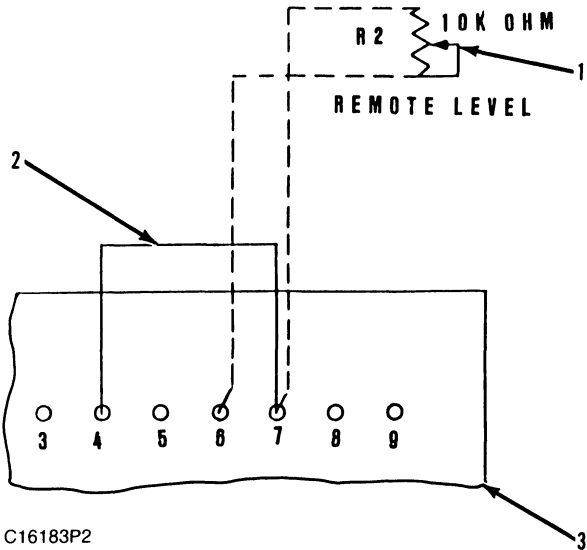
**Bench Test**

**NOTE: Before making a warranty claim, use the 4C4693 Regulator Tester and NEHS0535 Operating Manual to check VR3F regulators.**

Tools Needed		
4C4029	Trimmer Adjust Tool	1
4C4693	Regulator Tester	1

# Attachments

## Remote Voltage Control



Partial View Of Regulator  
(1) Potentiometer. (2) Jumper. (3) Regulator.

Generator output voltage level can be controlled from a remote location. This is done by connecting potentiometer (1) between terminals 6 and 7 on voltage regulator (3).

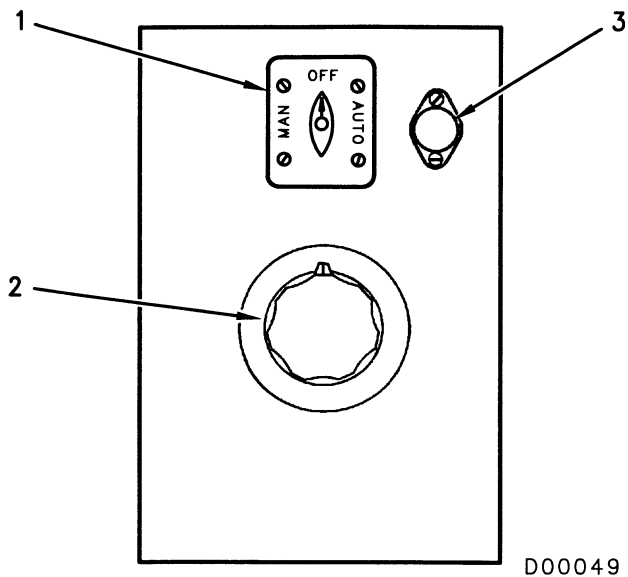
### **Remove jumper (2) between terminals 4 and 7 for remote voltage level control.**

For acceptable voltage control, the remote mounted potentiometer must be 10k ohms  $\pm 5\%$  with three turns and a dielectric strength of 1000 VAC minimum.

The terminals of the remote mounted potentiometer are fragile. The wiring connected to remote mounted potentiometer (1) should not have a diameter larger than 18 gauge. Larger diameter wire is not recommended. The wire should be 600 volt class with a 90°C (194°F) insulation.

**NOTE:** Either jumper (2) or remote potentiometer (1) is required for regulator operation. If one or the other is not connected the regulator will go to high voltage.





**Manual Voltage Control Panel**

(1) Switch (OFF, AUTO and MAN positions). (2) Voltage control rheostat. (3) Fuse.

The manual voltage control can be used to control generator voltage when there is a failure in the generator regulator assembly. It will manually control the current flow to exciter stator L1.

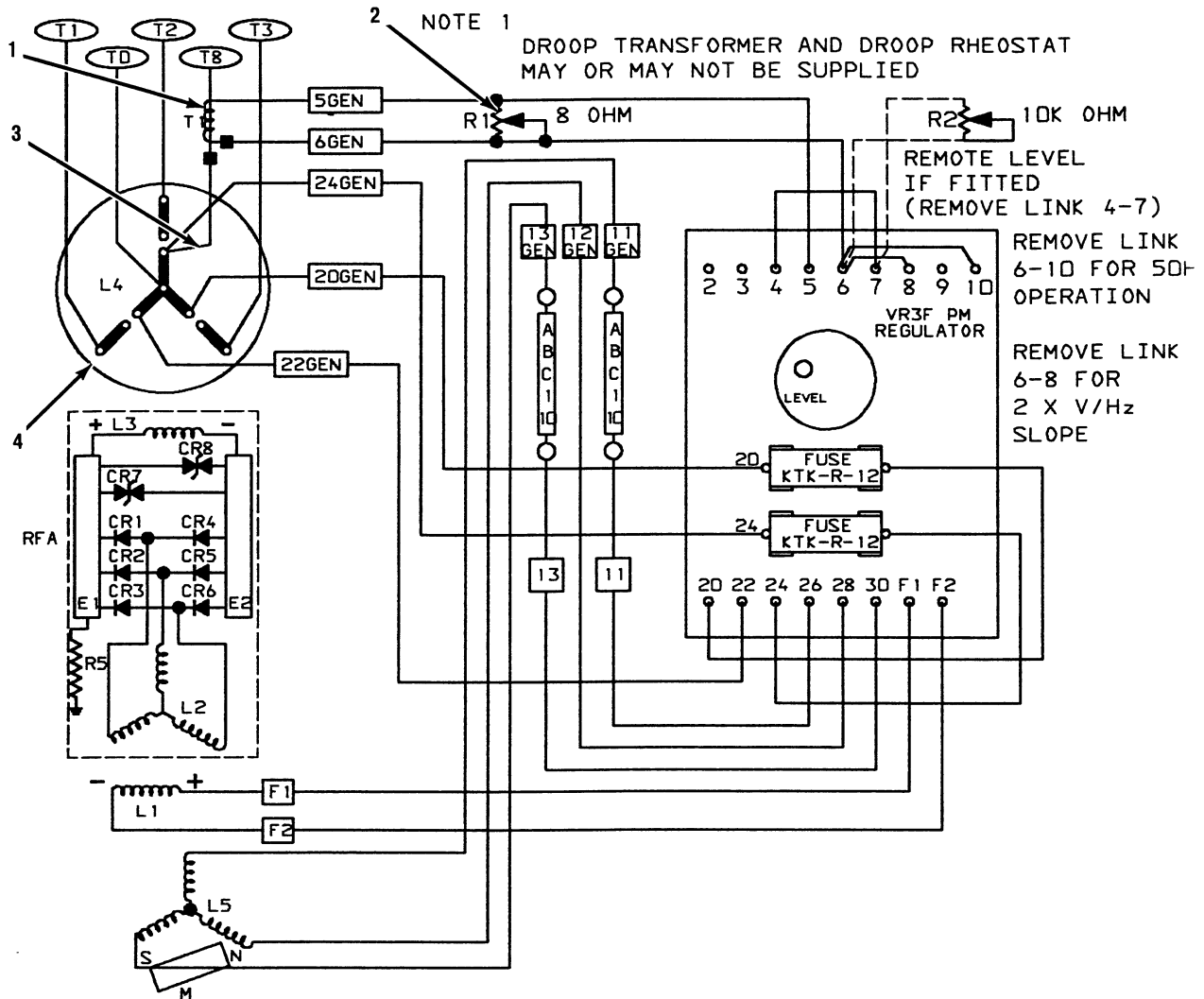
The manual voltage control panel has switch (1) and voltage control rheostat (2) for the manual operating mode.

Switch (1) is used to make the selection between AUTO, MAN and OFF. In the "AUTO" position, the VR3F regulator controls the generator voltage. In the "OFF" position, the voltage will go to zero. In the "MAN" position, generator voltage is controlled by voltage control rheostat (2).

**NOTE:** The Manual Voltage Control Panel must not be installed in a location that is subject to engine vibrations or directly to outside weather.

**NOTE:** When the manual voltage control is operating in the "Manual" mode, it is not necessary for the VR3F regulator to be connected to the generator. However, the manual control must remain connected to generator permanent magnet lines No. 11 and No. 13.

# Voltage Droop Transformer And Adjustment Rheostat For Parallel Operation



CR1-6 ROTATING RECTIFIERS  
 CR7,8 SURGE SUPPRESSION DIODES  
 E1 POSITIVE HEAT SINK  
 E2 NEGATIVE HEAT SINK  
 L1 EXCITER FIELD (STATOR)  
 L2 EXCITER ARMATURE (ROTOR)  
 L3 ROTATING FIELD (MAIN ROTOR)  
 L4 STATOR (MAIN STATOR)

L5 PM EXCITER STATOR  
 M ROTATING PERMANENT MAGNET  
 R1 VOLTAGE DROOP RHEOSTAT (SEE NOTE 1)  
 R2 REMOTE LEVEL RHEOSTAT  
 R5 SUPPRESSION RESISTOR  
 RFA REVOLVING FIELD ASS'Y  
 T1 VOLTAGE DROOP TRANSFORMER (SEE NOTE 1)  
 ○ TERMINAL BOARD NUMBER  
 □ WIRE NUMBER  
 ■ POLARITY MARKING

SR-4 GENERATOR SCHEMATIC (10-12 LEAD, PERMANENT MAGNETIC EXCITED W/ 2 PM FUSES)

NOTE : GENERATOR STATOR LEADS TERMINALS T10, T11 AND T12 CAN BE CONNECTED TO FORM THE NEUTRAL LEAD (TO) ON TWELVE LEAD GENERATORS.

NOTE : VR3F PM REGULATOR, TERMINAL 26 IS CONNECTED TO PMG OUTPUT AND NOT TO GENERATOR NEUTRAL (TO) AS ON PREVIOUS REGULATORS.

C69416P1

Generator And Regulator Schematic

(1) Voltage droop transformer. (2) Voltage droop rheostat. (3) Lead. (4) Main stator.

Operation of generators in parallel requires voltage droop as reactive load is increased. Droop transformer (1) and adjustment rheostat (2) are required to provide the voltage droop function. The transformer senses load current in lead (3) of main stator (4). Droop rheostat (2) provides adjustment of droop voltage. Rheostat (2) is located directly next to the regulator on the regulator mounting bracket.

**NOTE:** Droop transformer (1) is a special ratio transformer.

**NOTE:** Droop transformer (1) must be installed with transformer polarity connections as shown in the preceding schematic illustration. On 10/12 lead generators droop transformer (1) must be installed on generator phase lead T8. On 4/6 lead generators droop transformer (1) must be installed on generator phase lead T2.

