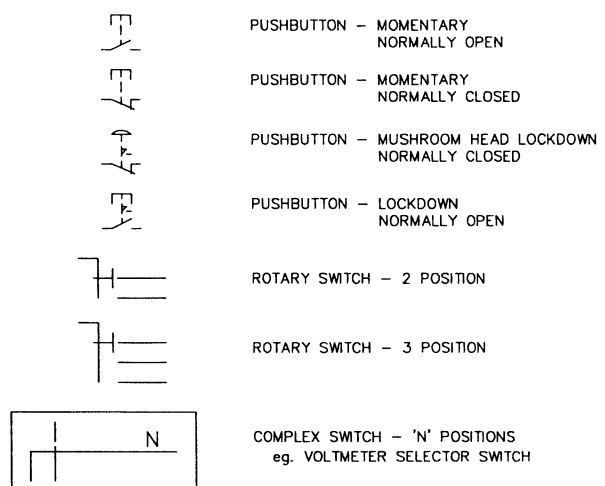
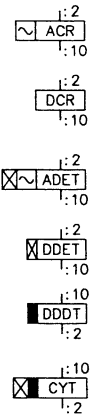


PUSHBUTTONS/SWITCHES



PUSHBUTTON - MOMENTARY NORMALLY OPEN
 PUSHBUTTON - MOMENTARY NORMALLY CLOSED
 PUSHBUTTON - MUSHROOM HEAD LOCKDOWN NORMALLY CLOSED
 PUSHBUTTON - LOCKDOWN NORMALLY OPEN
 ROTARY SWITCH - 2 POSITION
 ROTARY SWITCH - 3 POSITION
 COMPLEX SWITCH - 'N' POSITIONS eg. VOLTMETER SELECTOR SWITCH

RELAYS/TIMERS



AC RELAY
 DC RELAY
 AC DELAY ON ENERGISE TIMER
 DC DELAY ON ENERGISE TIMER
 DC DELAY ON DE-ENERGISE TIMER
 DC CYCLIC TIMER

RELAY/TIMER CONTACTS



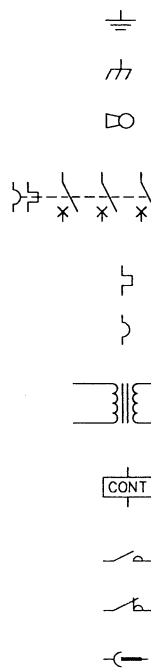
NORMALLY CLOSED RELAY CONTACT
 NORMALLY OPEN RELAY CONTACT
 NORMALLY CLOSED DELAY ON DE-ENERGISE CONTACT
 NORMALLY OPEN DELAY ON ENERGISE CONTACT
 NORMALLY CLOSED DELAY ON ENERGISE CONTACT
 NORMALLY OPEN DELAY ON DE-ENERGISE
 RELAY CHANGEOVER CONTACT

PANEL COMPONENTS



FUSELINK
 RESISTOR
 POTENTIOMETER
 LAMP
 L.E.D.
 DIODE
 HEATING ELEMENT
 CAPACITOR
 LINK
 TIMECLOCK
 SIREN

MISCELLANEOUS



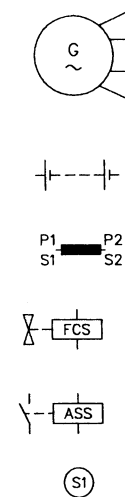
EARTH
 EARTH
 KEYLOCK MECHANISM
 3 POLE BREAKER
 THERMAL TRIP
 MAGNETIC TRIP
 POTENTIAL TRANSFORMER
 CONTACTOR
 CONTACTOR NORMALLY OPEN CONTACT
 CONTACTOR NORMALLY CLOSED CONTACT
 PLUG/SOCKET CONNECTOR

METERS/GAUGES



VOLTMETER
 AMMETER
 COMBINED FREQUENCY/TACHO METER
 KILOWATT METER
 POWER FACTOR METER
 SYNCHROSCOPE
 OIL PRESSURE GAUGE
 ENGINE TEMPERATURE GAUGE
 OIL TEMPERATURE GAUGE
 HOURS RUN METER
 BATTERY VOLTMETER
 TRICKLE CHARGE AMMETER
 ENGINE CHARGE AMMETER

ENGINE/ALTERNATOR COMPONENTS



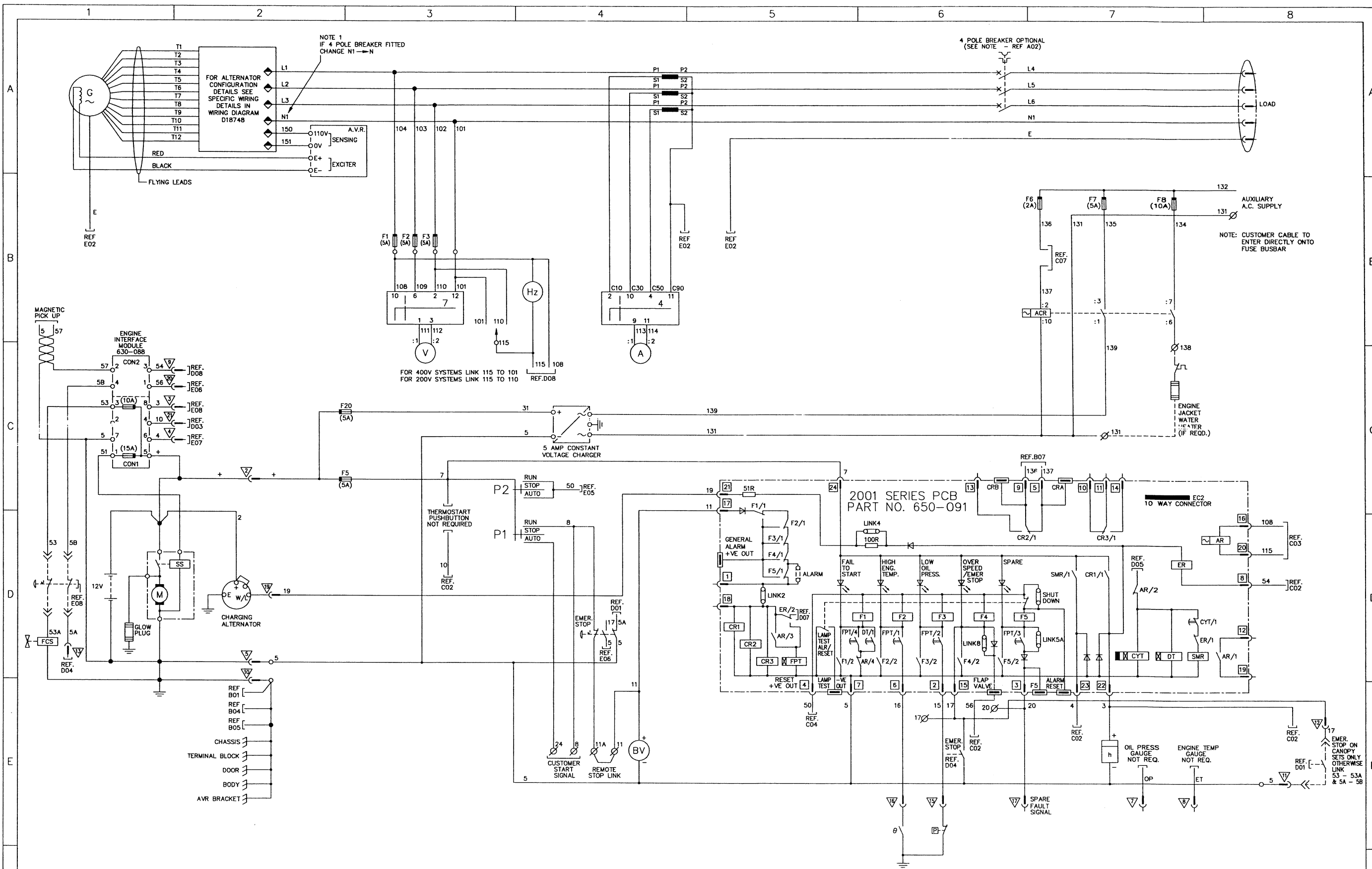
ALTERNATOR 3 PHASE 4 WIRE OUTPUT
 BATTERY
 CURRENT TRANSFORMER
 FUEL CONTROL SOLENOID
 AUXILIARY STARTER SOLENOID
 GAUGE SENDER

FOR INFORMATION ONLY

A	FIRST ISSUE	-	-	-	DRN. BY	S.M.	TITLE	LEGEND OF STANDARD SYMBOLS USED IN ELECTRICAL WIRING DIAGRAMS.		
	ISSUE	DESCRIPTION	ECR/DCR	BY		DATE				
					APPD. BY		SHEET SIZE	ORIGINAL SCALE	DRAWING NO.	ISSUE
					DATE		A3	N.T.S.	D15349	A

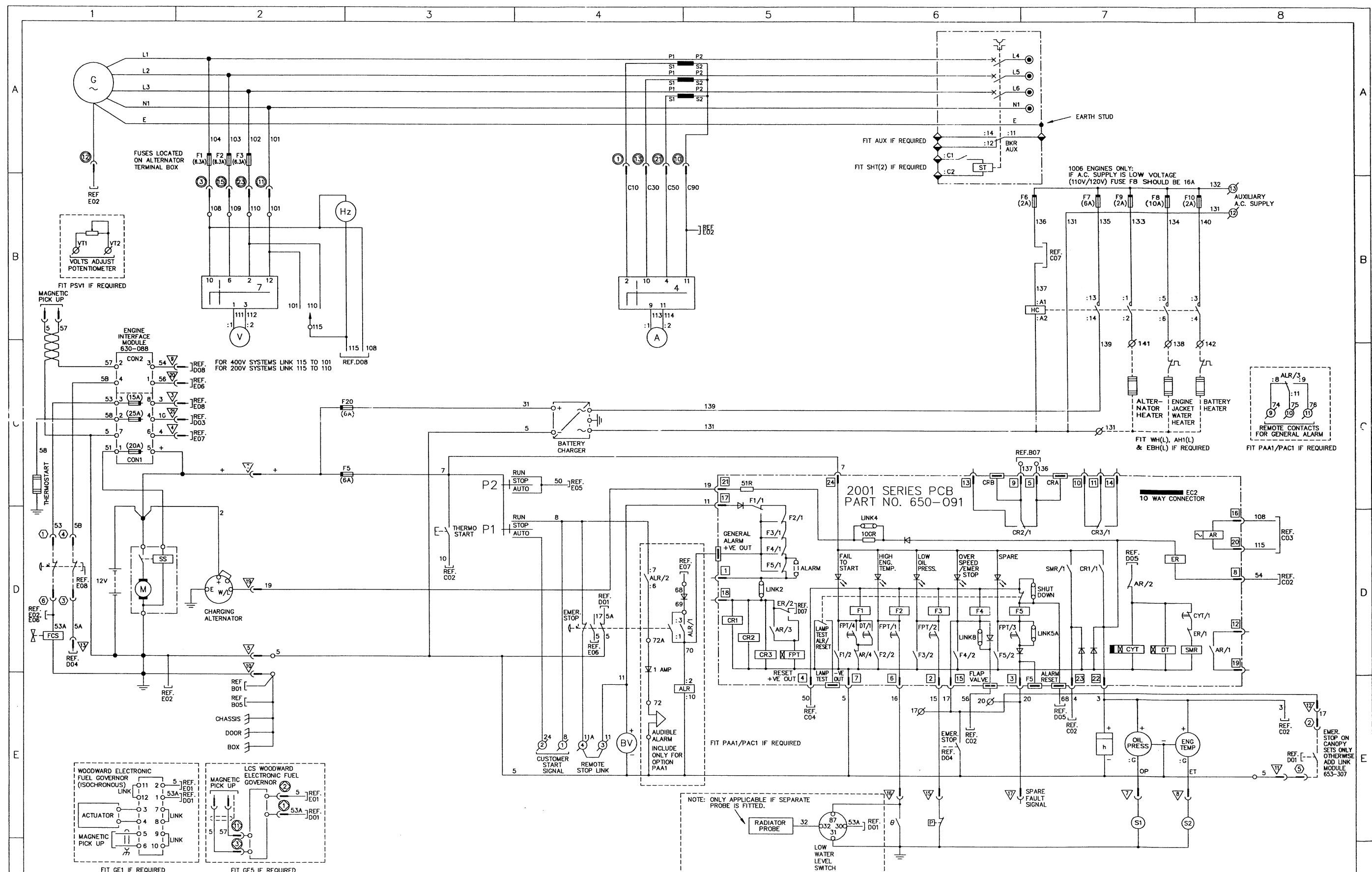
THIS DRAWING IS COPYRIGHTED AND MAY BE COPIED ONLY FOR THE PURPOSES OF MAINTAINING THE PURCHASED EQUIPMENT BY THE PURCHASER

DO NOT SCALE



C	LISTER RATIONALISATION	-	D.N.	24-02-00
B	DRAWING FRAME UPDATED	-	M.N.	10-03-98
A	FIRST ISSUE	-	-	-
ISSUE	DESCRIPTION	ECR/DCR	BY	DATE
←	SPADE PIN CONNECTION ON ENGINE	◆	PHASE CONFIGURATION TERMINAL	
←	D.C. CONNECTOR FROM ENGINE	●	CUSTOMER POWER CONNECTION TERMINAL	
←	24 WAY PLUG/SOCKET ON P.C.B. 650-091	⊗	OUTGOING/INCOMING PANEL TERMINAL	
⊞	SPADE TERMINAL ON P.C.B. 650-091	○	INTERNAL PANEL TERMINAL	

THIS DRAWING IS COPYRIGHTED AND MAY BE COPIED ONLY FOR THE PURPOSES OF MAINTAINING THE PURCHASED EQUIPMENT BY THE PURCHASER		DO NOT SCALE	
DRN. BY	J.T.D.	TITLE WIRING DIAGRAM OF LCP2 CONTROL PANEL FOR A 12V DC LISTER ENGINE C/W BATTERY CHARGER, AUXILIARY CONTROL AND 3 PHASE CEE FORM SOCKET.	
DATE	06-02-98	SHEET SIZE	A3
APPD. BY		ORIGINAL SCALE	N.T.S.
DATE		DRAWING NO.	D23142
		ISSUE	C



F	LCS GOVERNOR OPTION ADDED	20800	GAW	19/12/01
E	BATTERY CHARGER TEXT AMENDED	20689	GAW	26/10/01
D	EMER. STOP LOOM ADDED & EIM FUSE AMENDED	-	J.M.	23/03/01
ISSUE	DESCRIPTION	ECR/DCR	BY	DATE
SPADE TERMINAL ON P.C.B. CUSTOMER POWER CONNECTION 24 WAY PLUG/SOCKET ON P.C.B. 650-091				
OUTGOING/INCOMING PANEL TERMINAL SPADE PIN CONNECTION ON ENGINE BREAKER BOX TERMINAL				
TERMINAL TO CHANGEOVER SYSTEM D.C. CONNECTOR FROM ENGINE CUSTOMER TERMINAL				
INTERNAL PANEL TERMINAL A.C. CONNECTOR FROM ALTERNATOR 6 WAY CONNECTOR ON EMER. STOP LOOM				

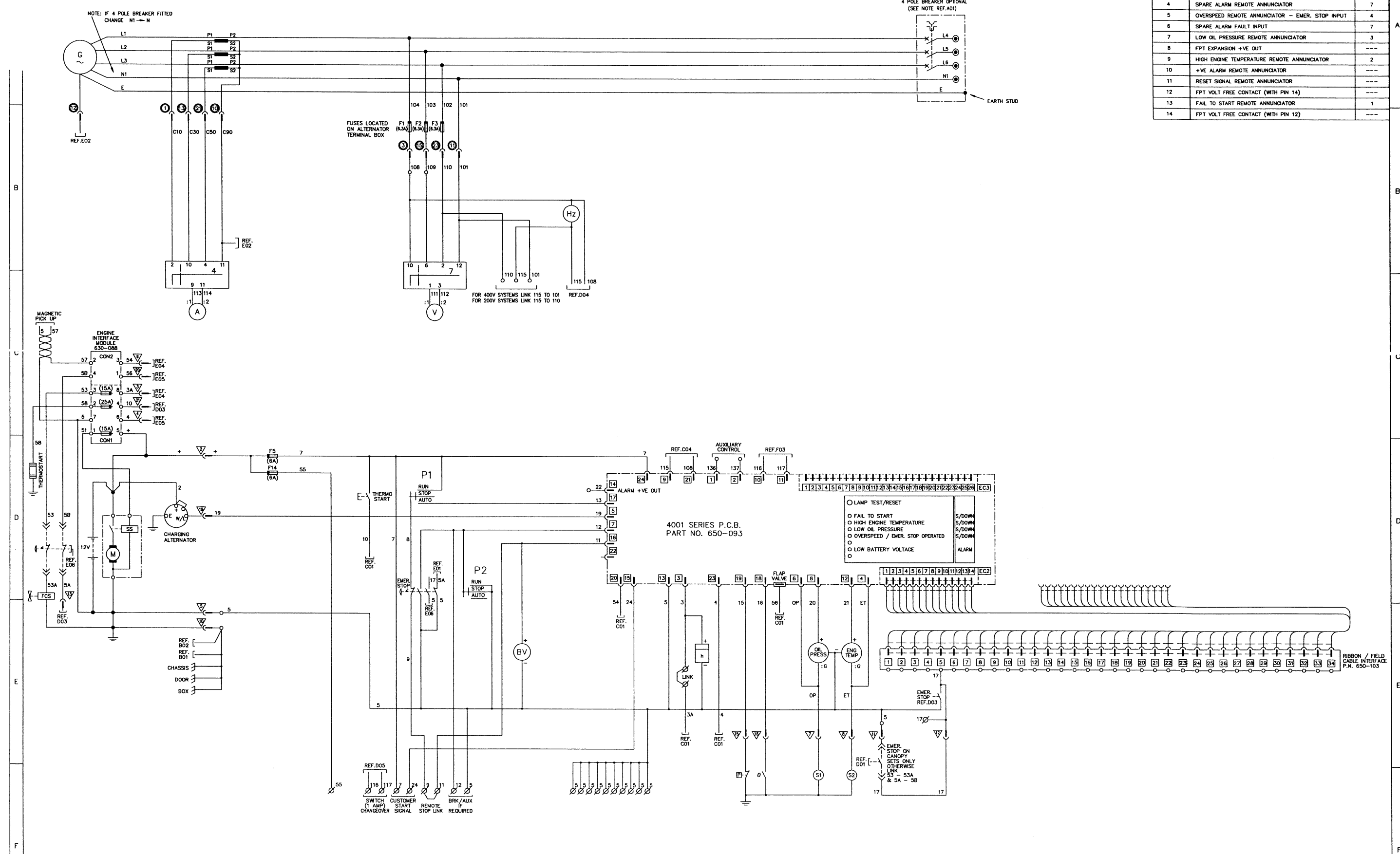
THIS DRAWING IS COPYRIGHTED AND MAY BE COPIED ONLY FOR THE PURPOSES OF MAINTAINING THE PURCHASED EQUIPMENT BY THE PURCHASER

DO NOT SCALE

DRN. BY M.S.
DATE 11-06-99
APPD. BY *Jane Rose*
DATE 21/12/01

TITLE WIRING DIAGRAM OF 2001 SERIES CONTROL PANEL FOR 12V DC PERKINS ENGINE (OPTIONALISED) C/W BATTERY CHARGER & HEATERS.
SHEET SIZE A3
ORIGINAL SCALE N.T.S.
DRAWING NO. D27575
ISSUE F

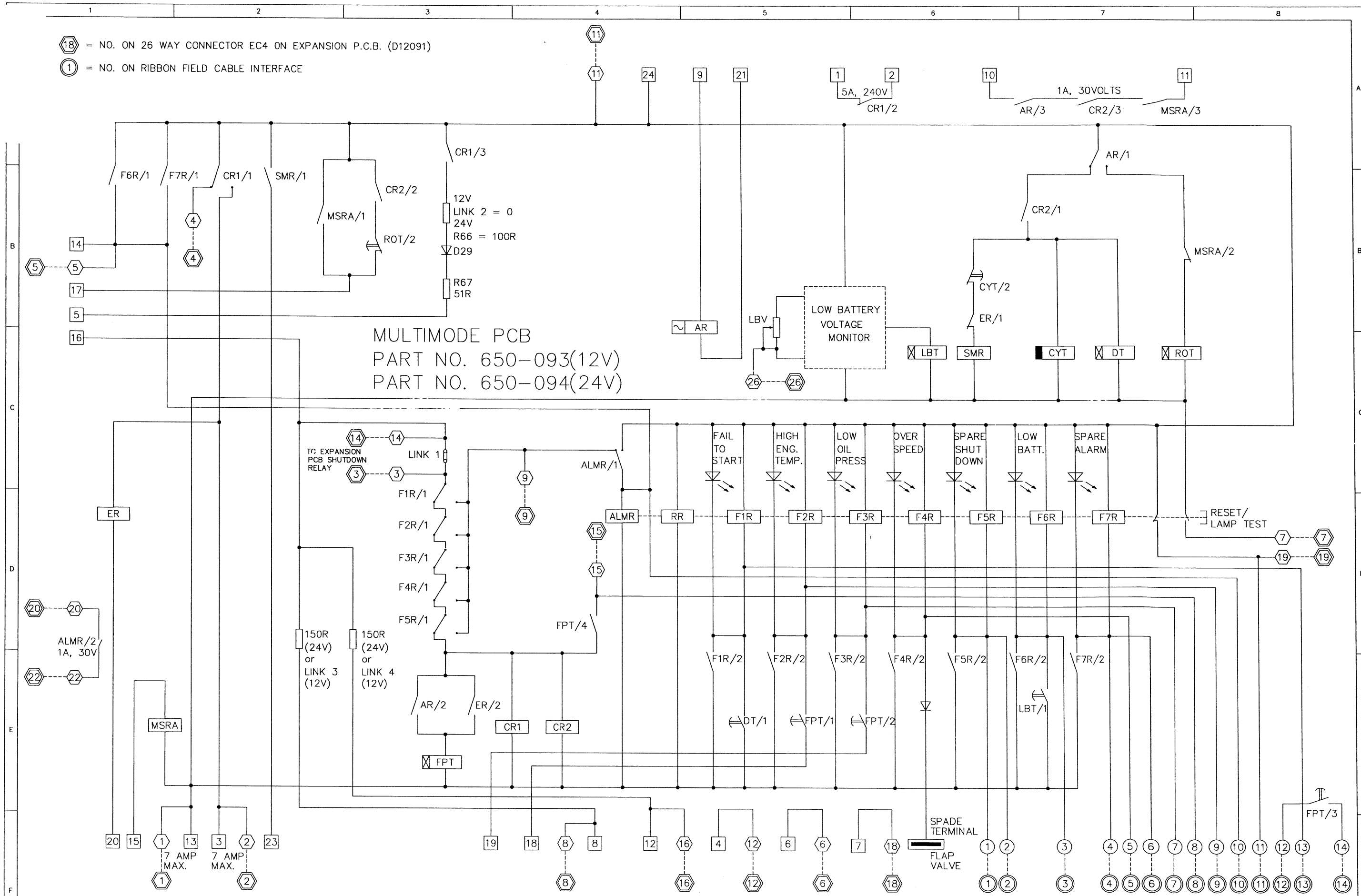
PIN NUMBER	DESCRIPTION OF PIN FUNCTION ON 34 WAY TERMINAL BLOCK	LED NUMBER
1	SPARE SHUTDOWN REMOTE ANNUNCIATOR	5
2	SPARE SHUTDOWN FAULT INPUT	5
3	LOW BATTERY VOLTAGE REMOTE ANNUNCIATOR	6
4	SPARE ALARM REMOTE ANNUNCIATOR	7
5	OVERSPEED REMOTE ANNUNCIATOR - EMER. STOP INPUT	4
6	SPARE ALARM FAULT INPUT	7
7	LOW OIL PRESSURE REMOTE ANNUNCIATOR	3
8	FPT EXPANSION +VE OUT	---
9	HIGH ENGINE TEMPERATURE REMOTE ANNUNCIATOR	2
10	+VE ALARM REMOTE ANNUNCIATOR	---
11	RESET SIGNAL REMOTE ANNUNCIATOR	---
12	FPT VOLT FREE CONTACT (WITH PIN 14)	---
13	FAIL TO START REMOTE ANNUNCIATOR	1
14	FPT VOLT FREE CONTACT (WITH PIN 12)	---



G	DRAWING FRAME MODIFIED	J.T.D.	23-05-98	BY	DATE	THIS DRAWING IS COPYRIGHTED AND MAY BE COPIED ONLY FOR THE PURPOSES OF MAINTAINING THE PURCHASED EQUIPMENT BY THE PURCHASER.	DO NOT SCALE	DRN. BY	A.W.B.	TITLE	WIRING DIAGRAM OF 4001 SERIES CONTROL PANEL FOR 12V DC PERKINS ENGINE.
	DATE							25-06-96	APPD. BY		

⑮ = NO. ON 26 WAY CONNECTOR EC4 ON EXPANSION P.C.B. (D12091)

① = NO. ON RIBBON FIELD CABLE INTERFACE

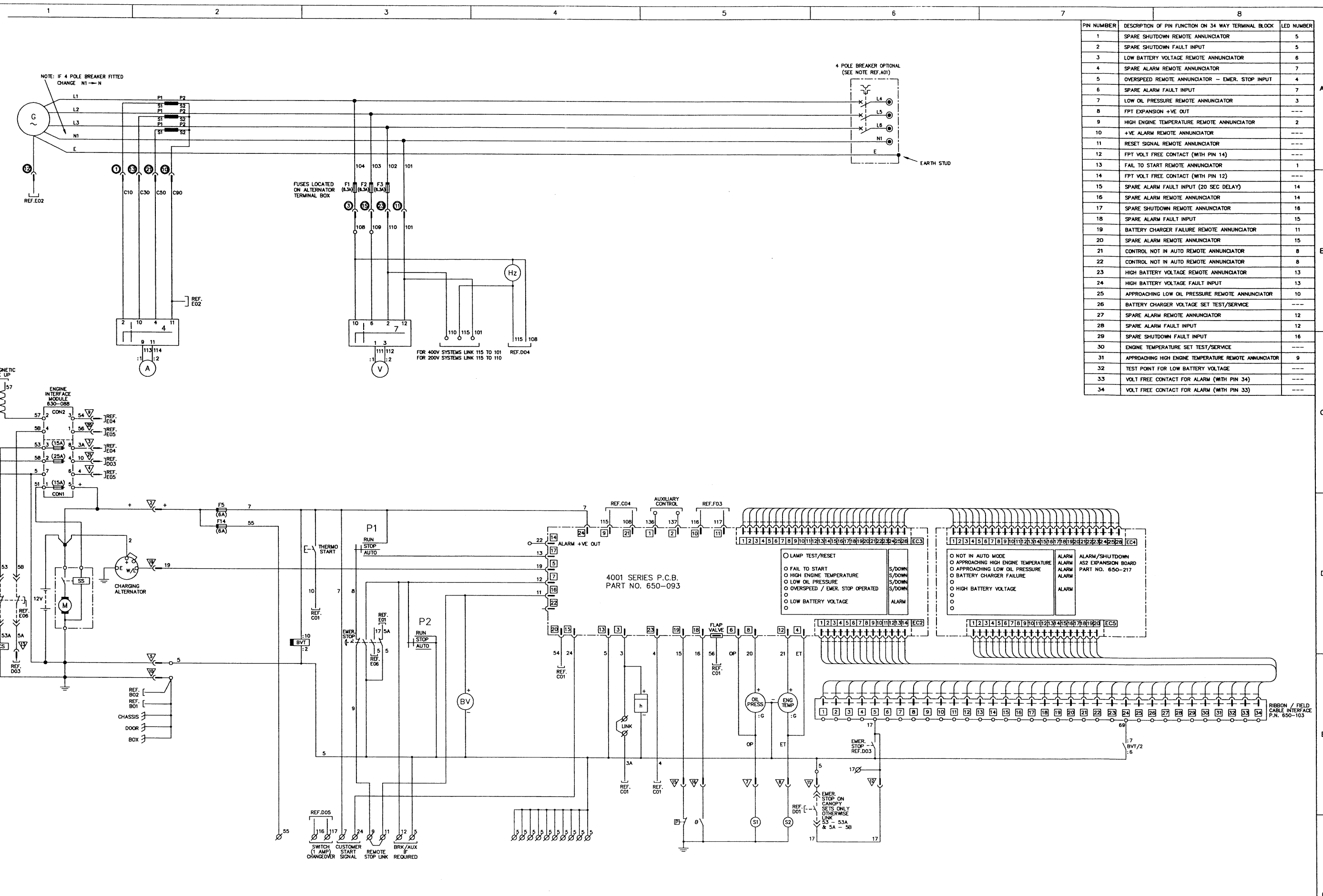


- 24 WAY PLUG/SOCKET ON P.C.B. (EC1)
- 14 WAY CONNECTOR ON PCB (EC2)
- 26 WAY CONNECTOR ON PCB (EC3)

DRN. BY	P.M.	TITLE
DATE	23-1-97	SCHEMATIC OF 4001 SERIES PCB INFORMATION ONLY
APPD. BY		SHEET SIZE
DATE		A3
		ORIGINAL SCALE
		N.T.S.
		DRAWING NO.
		D20449
		ISSUE
		A

A	FIRST ISSUE	-	P.M.	23-1-97
ISSUE	DESCRIPTION	ECR/DCR	BY	DATE

THIS DRAWING IS COPYRIGHTED AND MAY BE COPIED ONLY FOR THE PURPOSES OF MAINTAINING THE PURCHASED EQUIPMENT BY THE PURCHASER
DO NOT SCALE



PIN NUMBER	DESCRIPTION OF PIN FUNCTION ON 34 WAY TERMINAL BLOCK	LED NUMBER
1	SPARE SHUTDOWN REMOTE ANNUNCIATOR	5
2	SPARE SHUTDOWN FAULT INPUT	5
3	LOW BATTERY VOLTAGE REMOTE ANNUNCIATOR	6
4	SPARE ALARM REMOTE ANNUNCIATOR	7
5	OVERSPEED REMOTE ANNUNCIATOR - EMER. STOP INPUT	4
6	SPARE ALARM FAULT INPUT	7
7	LOW OIL PRESSURE REMOTE ANNUNCIATOR	3
8	FPT EXPANSION +VE OUT	---
9	HIGH ENGINE TEMPERATURE REMOTE ANNUNCIATOR	2
10	+VE ALARM REMOTE ANNUNCIATOR	---
11	RESET SIGNAL REMOTE ANNUNCIATOR	---
12	FPT VOLT FREE CONTACT (WITH PIN 14)	---
13	FAIL TO START REMOTE ANNUNCIATOR	1
14	FPT VOLT FREE CONTACT (WITH PIN 12)	---
15	SPARE ALARM FAULT INPUT (20 SEC DELAY)	14
16	SPARE ALARM REMOTE ANNUNCIATOR	14
17	SPARE SHUTDOWN REMOTE ANNUNCIATOR	16
18	SPARE ALARM FAULT INPUT	15
19	BATTERY CHARGER FAILURE REMOTE ANNUNCIATOR	11
20	SPARE ALARM REMOTE ANNUNCIATOR	15
21	CONTROL NOT IN AUTO REMOTE ANNUNCIATOR	8
22	CONTROL NOT IN AUTO REMOTE ANNUNCIATOR	8
23	HIGH BATTERY VOLTAGE REMOTE ANNUNCIATOR	13
24	HIGH BATTERY VOLTAGE FAULT INPUT	13
25	APPROACHING LOW OIL PRESSURE REMOTE ANNUNCIATOR	10
26	BATTERY CHARGER VOLTAGE SET TEST/SERVICE	---
27	SPARE ALARM REMOTE ANNUNCIATOR	12
28	SPARE ALARM FAULT INPUT	12
29	SPARE SHUTDOWN FAULT INPUT	16
30	ENGINE TEMPERATURE SET TEST/SERVICE	---
31	APPROACHING HIGH ENGINE TEMPERATURE REMOTE ANNUNCIATOR	9
32	TEST POINT FOR LOW BATTERY VOLTAGE	---
33	VOLT FREE CONTACT FOR ALARM (WITH PIN 34)	---
34	VOLT FREE CONTACT FOR ALARM (WITH PIN 33)	---

- LAMP TEST/RESET
- FAIL TO START
- HIGH ENGINE TEMPERATURE
- LOW OIL PRESSURE
- OVERSPEED / EMER. STOP OPERATED
- LOW BATTERY VOLTAGE

- NOT IN AUTO MODE
- APPROACHING HIGH ENGINE TEMPERATURE
- APPROACHING LOW OIL PRESSURE
- BATTERY CHARGER FAILURE
- HIGH BATTERY VOLTAGE
- LOW BATTERY VOLTAGE

- ALARM
- ALARM
- ALARM
- ALARM
- ALARM
- ALARM

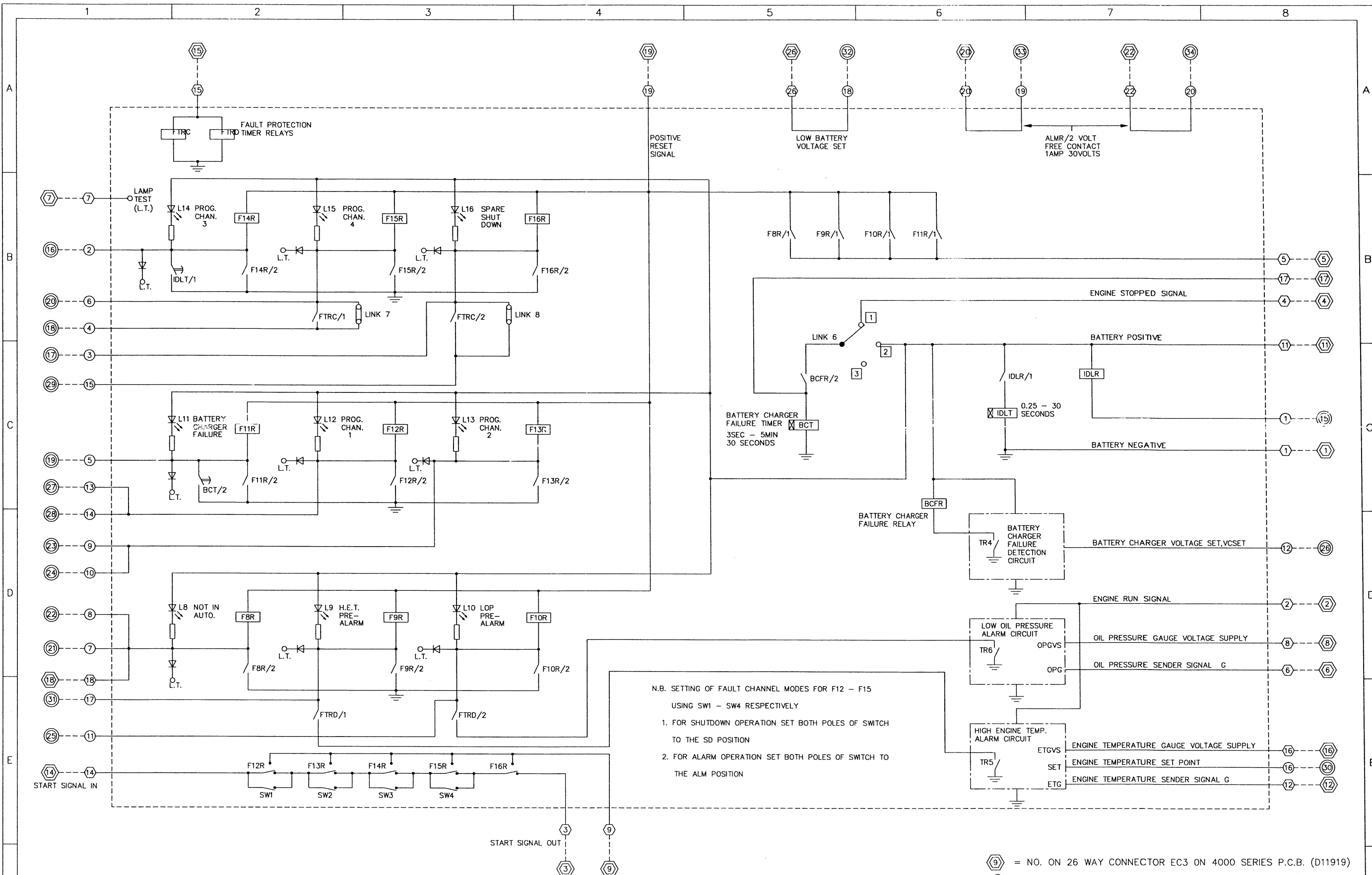
SPADE TERMINAL ON P.C.B.	CUSTOMER POWER CONNECTION	24 WAY PLUG/SOCKET ON P.C.B. 650-093
OUTGOING/INCOMING PANEL TERMINAL	SPADE PIN CONNECTION ON ENGINE	CONNECTION ON 34 WAY TERMINAL BLOCK
TERMINAL TO CHANGEOVER SYSTEM	D.C. CONNECTOR FROM ENGINE	
INTERNAL PANEL TERMINAL	A.C. CONNECTOR FROM ALTERNATOR	

DRN. BY	J.McI.	TITLE	WIRING DIAGRAM OF 4001E SERIES CONTROL PANEL FOR 12V DC PERKINS ENGINE C/W HIGH BATTERY VOLTS ALARM.
DATE	06-08-98	SHEET SIZE	A3
APPD. BY		ORIGINAL SCALE	N.T.S.
DATE		DRAWING NO.	D24583
		ISSUE	A

ISSUE	DESCRIPTION	ECR/DCR	BY	DATE
A	FIRST ISSUE	-	-	-

THIS DRAWING IS COPYRIGHTED AND MAY BE COPIED ONLY FOR THE PURPOSES OF MAINTAINING THE PURCHASED EQUIPMENT BY THE PURCHASER

DO NOT SCALE



N.B. SETTING OF FAULT CHANNEL MODES FOR F12 - F15 USING SW1 - SW4 RESPECTIVELY

1. FOR SHUTDOWN OPERATION SET BOTH POLES OF SWITCH TO THE SD POSITION
2. FOR ALARM OPERATION SET BOTH POLES OF SWITCH TO THE ALM POSITION

(9) = NO. ON 26 WAY CONNECTOR EC3 ON 4000 SERIES P.C.B. (D11919)
 (16) = NO. ON RIBBON FIELD CABLE INTERFACE

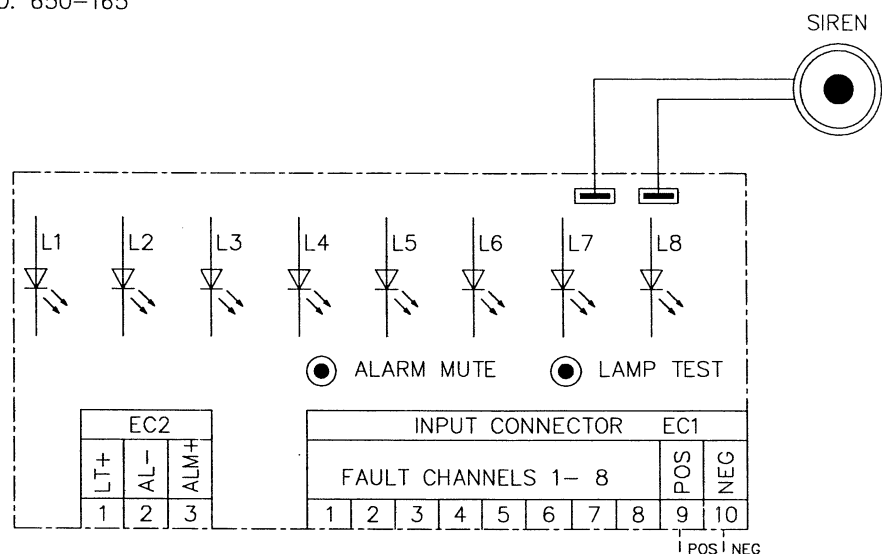
B	DRAWING REVIEW	-	P.M.	21-2-96
A	FIRST ISSUE	-	-	-
ISSUE	DESCRIPTION	ECR/DCR	BY	DATE
	F8R-F11R ALARM FAULT RELAYS			
	F12R-F15R PROGRAMMABLE FAULT RELAY			
	F16R: SHUTDOWN FAULT RELAY			
	○ - EC4			
	○ - EC5			

THIS DRAWING IS COPYRIGHTED AND MAY BE COPIED ONLY FOR THE PURPOSES OF MAINTAINING THE PURCHASED EQUIPMENT BY THE PURCHASER

DO NOT SCALE

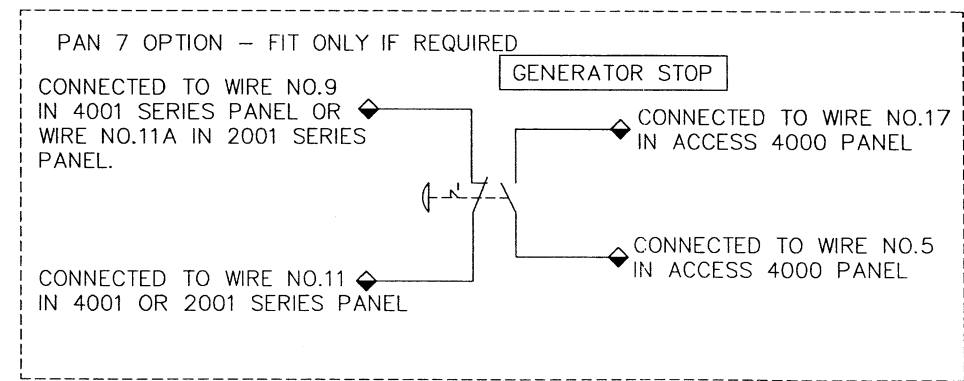
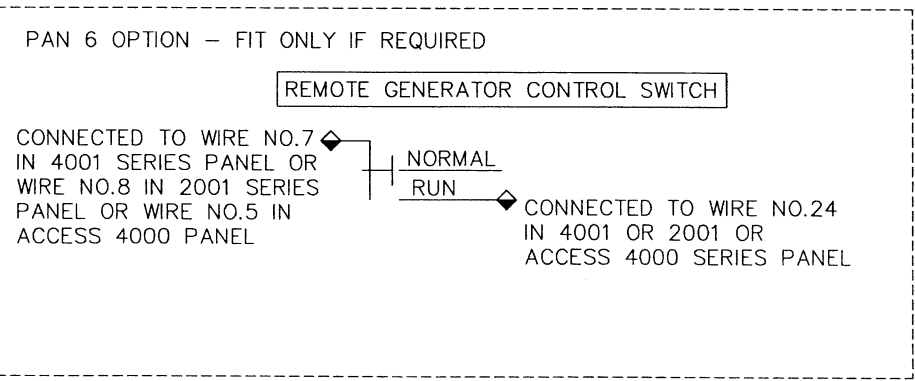
DRN. BY	P.M.C.	TITLE	ASE PROGRAMMABLE EXPANSION PCB - SCHEMATIC DETAILS		
DATE	18-01-93				
APPD. BY		SHEET SIZE	A3	ORIGINAL SCALE	DRAWING NO.
DATE			N.T.S.		D12091
					ISSUE
					B

PAN 4 UNIT ---12V DC PART NO. 650-164
 ---24V DC PART NO. 650-165



CONNECTED TO PIN NO.11 IN 4001 SERIES PANEL OR TO WIRE NO.7 IN ACCESS 4000 PANEL OR BREAK POSITIVE DC SUPPLY TO RESET

CONNECTED TO WIRE NO.5 IN GENERATOR CONTROL PANEL



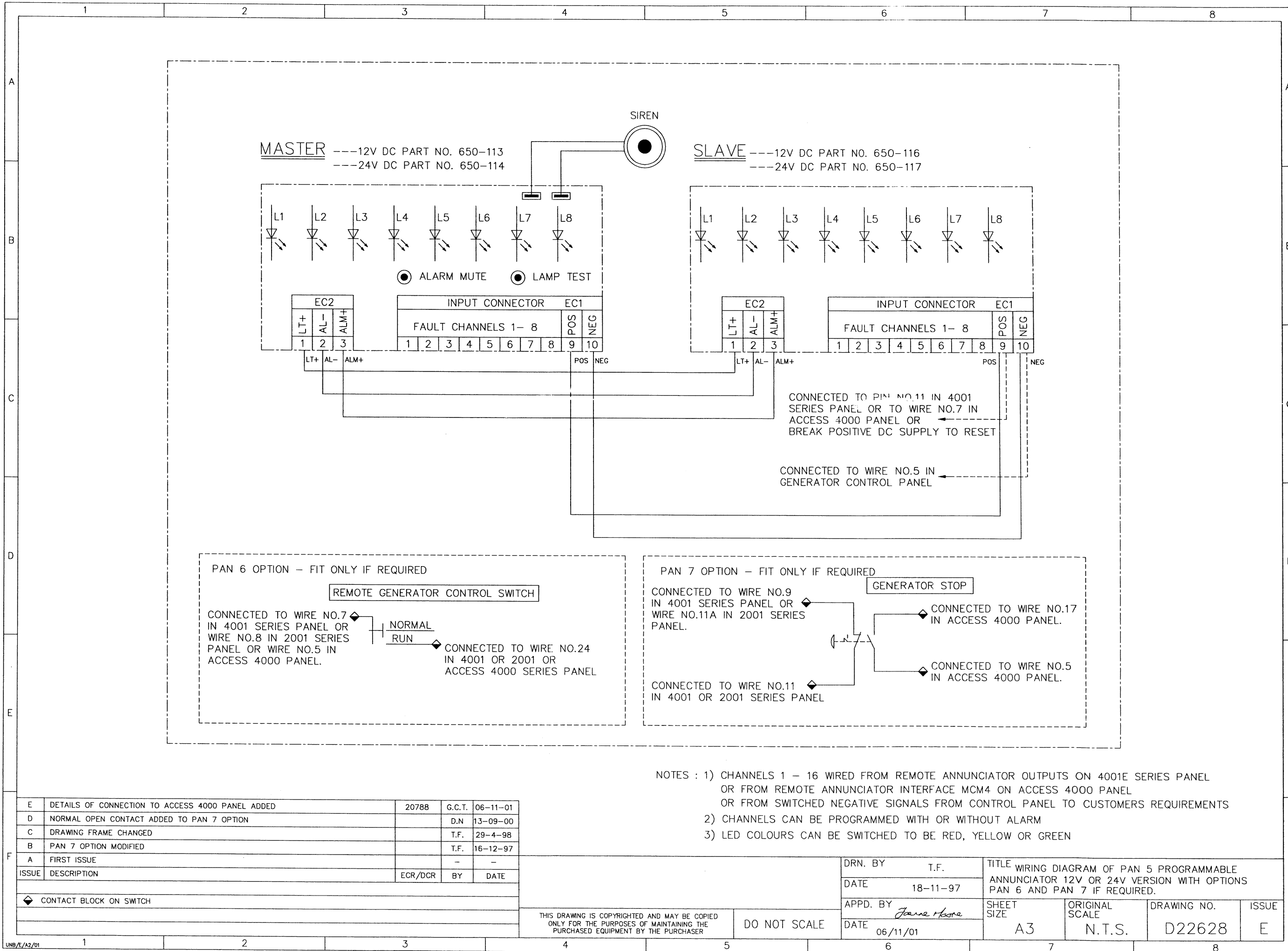
- NOTES : 1) CHANNELS 1 - 8 WIRED FROM REMOTE ANNUNCIATOR OUTPUTS ON 4001 SERIES PANEL OR FROM REMOTE ANNUNCIATOR INTERFACE MCM4 ON ACCESS 4000 PANEL OR FROM SWITCHED NEGATIVE SIGNALS FROM CONTROL PANEL TO CUSTOMERS REQUIREMENTS
 2) CHANNELS CAN BE PROGRAMMED WITH OR WITHOUT ALARM
 3) LED COLOURS CAN BE SWITCHED TO BE RED, YELLOW OR GREEN

E	DETAILS OF CONNECTION TO ACCESS 4000 PANEL ADDED	20788	G.C.T.	07-11-01
D	NORMAL OPEN CONTACT ADDED TO PAN 7 OPTION		D.N	13-09-00
C	DRAWING FRAME CHANGED		T.F.	29-4-98
B	PAN 7 OPTION MODIFIED		T.F.	16-12-97
A	FIRST ISSUE		-	-
ISSUE	DESCRIPTION	ECR/DCR	BY	DATE
◆	CONTACT BLOCK ON SWITCH			

THIS DRAWING IS COPYRIGHTED AND MAY BE COPIED ONLY FOR THE PURPOSES OF MAINTAINING THE PURCHASED EQUIPMENT BY THE PURCHASER

DO NOT SCALE

DRN. BY	T.F.	TITLE WIRING DIAGRAM OF PAN 4 PROGRAMMABLE ANNUNCIATOR 12V OR 24V VERSION WITH OPTIONS PAN 6 AND PAN 7 IF REQUIRED.		
DATE	19-11-97	SHEET SIZE	ORIGINAL SCALE	DRAWING NO.
APPD. BY	<i>Jaane Hoare</i>	A3	N.T.S.	D22626
DATE	07/11/01			ISSUE E



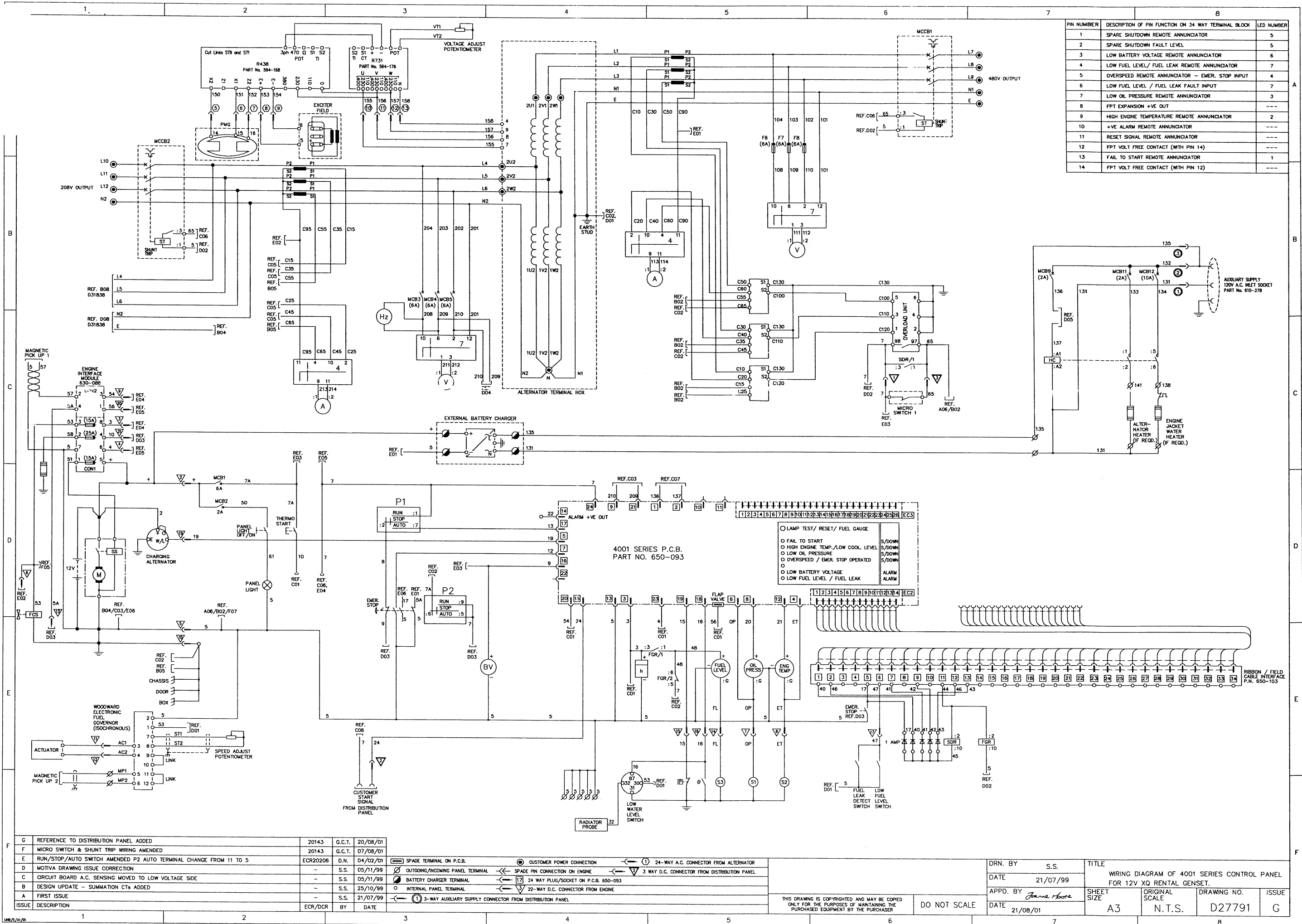
- NOTES : 1) CHANNELS 1 - 16 WIRED FROM REMOTE ANNUNCIATOR OUTPUTS ON 4001E SERIES PANEL OR FROM REMOTE ANNUNCIATOR INTERFACE MCM4 ON ACCESS 4000 PANEL OR FROM SWITCHED NEGATIVE SIGNALS FROM CONTROL PANEL TO CUSTOMERS REQUIREMENTS
 2) CHANNELS CAN BE PROGRAMMED WITH OR WITHOUT ALARM
 3) LED COLOURS CAN BE SWITCHED TO BE RED, YELLOW OR GREEN

E	DETAILS OF CONNECTION TO ACCESS 4000 PANEL ADDED	20788	G.C.T.	06-11-01
D	NORMAL OPEN CONTACT ADDED TO PAN 7 OPTION		D.N	13-09-00
C	DRAWING FRAME CHANGED		T.F.	29-4-98
B	PAN 7 OPTION MODIFIED		T.F.	16-12-97
A	FIRST ISSUE		-	-
ISSUE	DESCRIPTION	ECR/DCR	BY	DATE
◆	CONTACT BLOCK ON SWITCH			

THIS DRAWING IS COPYRIGHTED AND MAY BE COPIED ONLY FOR THE PURPOSES OF MAINTAINING THE PURCHASED EQUIPMENT BY THE PURCHASER

DO NOT SCALE

DRN. BY	T.F.	TITLE WIRING DIAGRAM OF PAN 5 PROGRAMMABLE ANNUNCIATOR 12V OR 24V VERSION WITH OPTIONS PAN 6 AND PAN 7 IF REQUIRED.		
DATE	18-11-97	SHEET SIZE	ORIGINAL SCALE	DRAWING NO.
APPD. BY	<i>Jane Stone</i>	A3	N.T.S.	D22628
DATE	06/11/01			ISSUE E



ISSUE DESCRIPTION	BY	DATE
G REFERENCE TO DISTRIBUTION PANEL ADDED	20143	G.C.T. 20/08/01
F MICRO SWITCH & SHUNT TRIP WIRING AMENDED	20143	G.C.T. 07/08/01
E RUN/STOP/AUTO SWITCH AMENDED P2 AUTO TERMINAL CHANGE FROM 11 TO 5	ECR20206	D.N. 04/02/01
D MOTIVA DRAWING ISSUE CORRECTION	-	S.S. 05/11/99
C CIRCUIT BOARD A.C. SENSING MOVED TO LOW VOLTAGE SIDE	-	S.S. 05/11/99
B DESIGN UPDATE - SUMMATION CT'S ADDED	-	S.S. 25/10/99
A FIRST ISSUE	-	S.S. 21/07/99

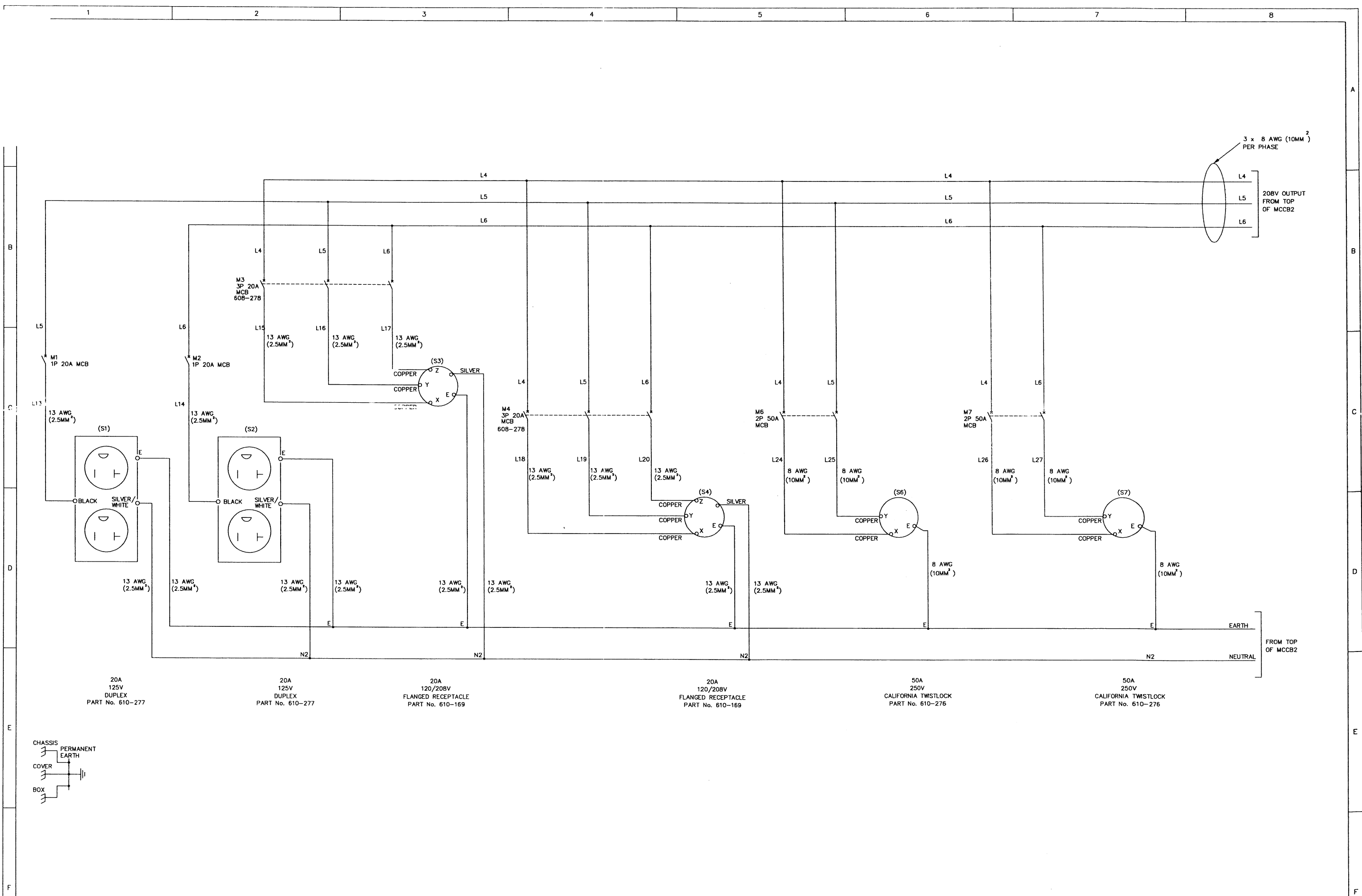
○ SPADE TERMINAL ON P.C.B.	⊕ CUSTOMER POWER CONNECTION	⊖ 24-WAY A.C. CONNECTOR FROM ALTERNATOR
⊖ OUTGOING/INCOMING PANEL TERMINAL	⊖ SPADE PIN CONNECTION ON ENGINE	⊖ 3 WAY D.C. CONNECTOR FROM DISTRIBUTION PANEL
⊖ BATTERY CHARGER TERMINAL	⊖ 24 WAY PLUG/SOCKET ON P.C.B. 650-093	
⊖ INTERNAL PANEL TERMINAL	⊖ 22-WAY D.C. CONNECTOR FROM ENGINE	
⊖ 3-WAY AUXILIARY SUPPLY CONNECTOR FROM DISTRIBUTION PANEL		

DRN. BY	S.S.	TITLE
DATE	21/07/99	WIRING DIAGRAM OF 4001 SERIES CONTROL PANEL FOR 12V XQ RENTAL GENSET.
APPD. BY	Jane Stone	SHEET SIZE
DATE	21/08/01	A3
SCALE	N.T.S.	DRAWING NO.
		D27791
		ISSUE
		G

THIS DRAWING IS COPYRIGHTED AND MAY BE COPIED ONLY FOR THE PURPOSES OF MAINTAINING THE PURCHASED EQUIPMENT BY THE PURCHASER

DO NOT SCALE

12



20A
125V
DUPLEX
PART No. 610-277

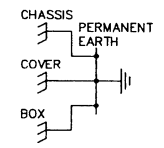
20A
125V
DUPLEX
PART No. 610-277

20A
120/208V
FLANGED RECEPTACLE
PART No. 610-169

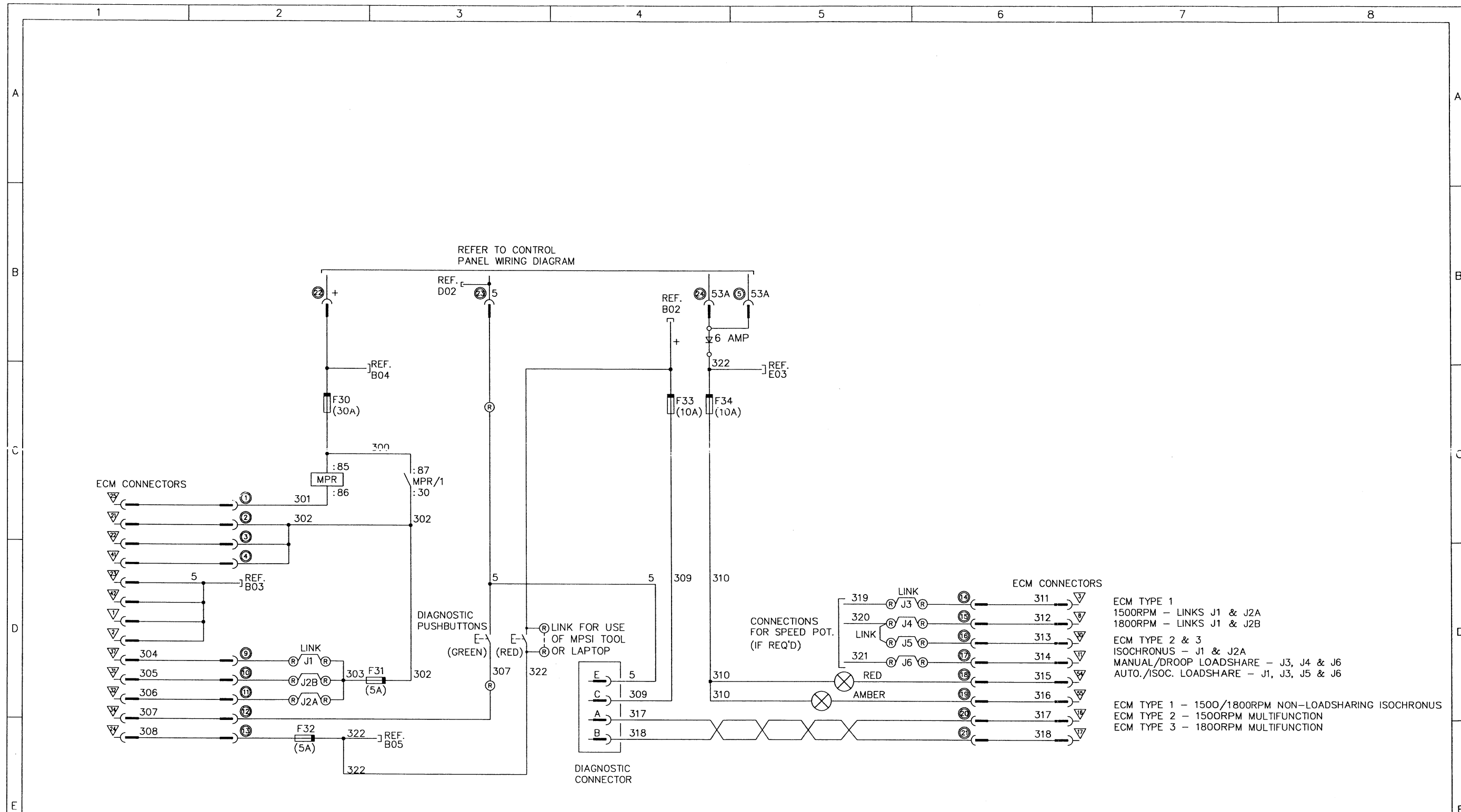
20A
120/208V
FLANGED RECEPTACLE
PART No. 610-169

50A
250V
CALIFORNIA TWSTLOCK
PART No. 610-276

50A
250V
CALIFORNIA TWSTLOCK
PART No. 610-276



ISSUE	DESCRIPTION	ECR/DCR	BY	DATE	DRN. BY	S.S.	DATE	TITLE	SHEET SIZE	ORIGINAL SCALE	DRAWING NO.	ISSUE
C	WIRE NUMBERS CORRECTED			5/11/99				WIRING DIAGRAM OF OUTLET SOCKETS FOR JX RENTAL GENSET	A3	N.T.S.	D27794	C
B	DESIGN UPDATE - 20A SOCKET REMOVED			25/10/99								
A	FIRST ISSUE											
					THIS DRAWING IS COPYRIGHTED AND MAY BE COPIED ONLY FOR THE PURPOSES OF MAINTAINING THE PURCHASED EQUIPMENT BY THE PURCHASER		DO NOT SCALE					



ECM TYPE 1
 1500RPM - LINKS J1 & J2A
 1800RPM - LINKS J1 & J2B

ECM TYPE 2 & 3
 ISOCHRONUS - J1 & J2A
 MANUAL/DROOP LOADSHARE - J3, J4 & J6
 AUTO./ISOC. LOADSHARE - J1, J3, J5 & J6

ECM TYPE 1 - 1500/1800RPM NON-LOADSHARING ISOCHRONUS
 ECM TYPE 2 - 1500RPM MULTIFUNCTION
 ECM TYPE 3 - 1800RPM MULTIFUNCTION

DIAGNOSTICS: REFER TO MANUAL FOR DIAGNOSTIC TEST PROCEDURE AND FAULT FLASH CODES.
 TO ENABLE ECM FOR USE OF MPSI TOOL OR LAPTOP LINK WIRES 322 AND +

H	RELAY BOX LOOM AMENDED	6008	D.N.	30-03-01
G	TEXT ADDED TO PUSHBUTTONS		M.S.	09-11-99
ISSUE	DESCRIPTION	ECR/DCR	BY	DATE
← ▽	CONNECTOR FROM ECM			
← ⑪	CONNECTOR TO RELAY BOX			
Ⓞ	RELAY BOX TERMINAL			

THIS DRAWING IS COPYRIGHTED AND MAY BE COPIED ONLY FOR THE PURPOSES OF MAINTAINING THE PURCHASED EQUIPMENT BY THE PURCHASER

DO NOT SCALE

DRN. BY	M.SLOAN	TITLE WIRING DIAGRAM OF RELAY BOX FOR 24V DC HEUI ENGINE		
DATE	30/03/00			
APPD. BY	<i>James Moore</i>	SHEET SIZE	ORIGINAL SCALE	DRAWING NO.
DATE	30/03/01	A3	N.T.S.	D27533
				ISSUE
				H