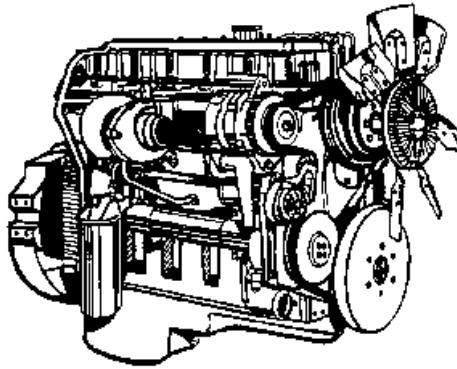


DETROIT DIESEL
CORPORATION



PARTS CATALOG

SERIES 40 ENGINE



JANUARY 2003

DETROIT DIESEL

CORPORATION



SERIES 40 ENGINE CUSTOM PARTS CATALOG

INTRODUCTION

The Detroit Diesel Series 40 engine is the latest generation in a family of diesel engines with over 100 years of experience. The Series 40 is an entirely new design, engineered and manufactured using the most advanced technology available today. The result is a lightweight, 4-cycle, inline, six cylinder heavy-duty diesel engine spanning a horsepower range of 160 to 330 horsepower. Comprised of 7.6 and 8.7 liter displacements, the Series 40 engine family is available in turbocharged and turbocharged air-to-air charge cooled models.

The four models in the Series 40 family provide the engine with versatility in the automotive, construction, industrial, and generator set markets. The two displacements of the Series 40 allow this engine series to provide a wide range of power that is needed under any condition while maintaining the high standards of performance the engine achieves.

The reliability and durability of the Series 40 engine have been assured by a host of premium features. These include a high strength alloy cast iron deep skirt cylinder block with wet-type replaceable liners, induction hardened crankshaft, premium design cylinder head with replaceable valve guides and valve seat inserts, and large crankshaft and connecting rod bearings- all designed to provide maximum life.

This Series 40 engine is built by Navistar for you, the Detroit Diesel customer. Detroit Diesel adds trim items to the engine to better meet your engine needs. This parts catalog contains 2 bills of material (BOM). One is the Navistar BOM and the other serial number (06N0XXXXXX) represents the Detroit Diesel BOM. Some of the trim items may have replaced original engine components. So, ***Always look at the Detroit Diesel serial number first.***

The data in this publication is based on information known to Detroit Diesel at the time of preparation. While every care and effort has been taken to ensure accuracy of all information, engine modifications or subsequent engineering changes or enhancements may cause certain data to be superseded or rendered obsolete. Detroit Diesel reserves the right to make changes to this catalog at any time without notice.

CONTENTS

SECTION 1..... GENERAL INFORMATION

SECTION 2..... ABBREVIATIONS

SECTION 3..... ENGINE FEATURES

SECTION 4..... DESCRIPTION INDEX

SECTION 5..... PART NUMBER INDEX

SECTION 6..... FIGURE TITLE INDEX

SECTION 7..... CATALOG BODY SECTION

HOW TO USE THIS PARTS CATALOG

A. CATALOG FORMAT

- Each parts list entry contains the ITEM number, PART NUMBER, QTY, KIT information and DESCRIPTION.

ITEM	PART NUMBER	QTY	DESCRIPTION
44	1823453C1	004	VALVE, INTAKE

- When an assembly is broken down in the figure, the component descriptions will be indented to the right. The components will be listed under the same ITEM as the assembly except when they are exploded out and identified on the art.

ITEM	PART NUMBER	QTY	DESCRIPTION
26	1822607C91	001	PLUG ASM, SUPPLY
	1815874C1	001	RING,O
	9410357	001	PLUG

- When an assembly is broken down in a separate figure, the DESCRIPTION will contain a reference to the detail figure.

ITEM	PART NUMBER	QTY	DESCRIPTION
10	1807418C92	001	HARNES ASM, WIRING FOR PARTS LIST SEE 1807418C92

- Service parts that are furnished in a package will show a symbol in the KIT column with a corresponding package entry at the end of the parts list.

ITEM	PART NUMBER	QTY	KIT	DESCRIPTION
5		002	KA	SEAL, DIRT AND WATER
10		002	KA,KB	RING, RET
	1675138C91		KA	PACKAGE, GASKET AND SEAL FOR PARTS LIST SEE 1675138C91
	1679598C91		KB	PACKAGE, O-RING FOR PARTS LIST SEE 1679598C91

NOTE: Only the first line of an item will contain the ITEM number. If the additional entries are split from one Parts List column to the next, the ITEM number will be repeated once at the top of the next column. This format also applies to multiple ITEM numbers such as components listed with their attaching hardware on the same item.

B. IDENTIFYING PARTS WITH A FIGURE

- ILLUSTRATION AND PARTS LIST

The typical figure consists of an illustration (usually an exploded view) with a parts list identifying the keyed item numbers as shown on the illustration. The parts list contains Part Number, Description, Quantity, and Kit reference that shows where and/or when the part is used. Make sure you read all the information listed under your particular item number. Reference and restriction notes are shown in the description column. The Figure Number is listed in the upper center page and bottom left and right corners of each page with the Figure Title.

- ATTACHING PARTS

Attaching parts are usually shown with the same item number as the part they attach.

- KITS

Parts that are included in kits are identified in the DESCRIPTION column with a KA, KB etc. symbol. If there is no part number for the item then that part is not serviced separately and can only be purchased in the kit. Kit part numbers are listed at the end of figure and contain a corresponding reference to the symbol in the DESCRIPTION column.

- BULK MATERIAL

For fuel pipes, hose and similar parts, only the diameter and bulk part number are shown. This part number covers one foot of bulk material.

- NOT SERVICED PARTS

Not serviced parts are denoted with % symbol.

NOTE: Illustrations are representative of the part and may not be an exact likeness.



LIST OF ABBREVIATIONS



A/C	Air Conditioning	DOM	Domestic
ACCEL	Accelerator	DR	Drive
ADAP	Adapter	ELECT.	Electric
ADJ	Adjuster, Adjustable, Adjusting	EMERG	Emergency
AL	Aluminum	ENG	Engine
ALT	Alternator	EQUIP	Equipment
AMP	Amperes	EXH	Exhaust
ANG	Angle	EXP	Export
APPROX	Approximately	EXT	Exterior, External
AR	As Required	EXTN	Extension
ATT	Attaching, Attachment	F-HD	Flat Head
AUTO	Automatic	F-PT	Flat-point
AUX	Auxiliary	FASTNR	Fastener
BAT.	Battery	FIG.	Figure
BBC	Bumper-to-Back of Cab	FIL-HD	Fillister Head
BC	Big Cam	FITT	Fitting, Fittings
BRG	Bearing	FL	Flat
BRK	Brake	FLEX	Flexible
BRKT	Bracket	FLG	Flange
BUSH.	Bushing	FRT	Front
CARR	Carrier	FT	Feet, Foot
CD-PLTD	Cadmium Plated	FWD	Forward
CE	Commutator End	GA	Gauge
CHK	Check	GAL	Gallon
CI	Cast Iron	GALV	Galvanize
CL-REC-HD	Clutch Recess Head	GASK	Gasket
CM	Centimeter	GEN	Generator
COL	Column	GOV	Governor
COMMUT	Commutator	GRD	Ground
COMPR	Compressor	GROM	Grommet
COMPT	Compartment	HARN	Harness
CON	Control	HD	Head
CONN	Connector, Connection, Connecting	HD	Heavy Duty
CPT	Complete	HDLS	Headless
CR-PLTD	Chromium Plated	HDN	Hardened
CR-REC-HD	Cross Recess Head	HEND	Hendrickson
CRG	Carriage	HEX	Hexagon
CRKCASE	Crankcase	HGE	Hinge
CRKSHFT	Crankshaft	HP	Horsepower
CSK	Countersunk	HSG	Housing
CT	Coated	HT	Heat Treat
CTR	Center	HVY	Heavy
CTSHFT	Countershaft	HYD	Hydraulic
CU	Cubic	HYDV	Hydrovac
CUSH	Cushion	ID	Inside Diameter
CYL	Cylinder	IMPEL	Impeller
D/S #	Direct Ship Number	IN.	Inch, Inches
DBL	Double	INSP	Inspection
DE	Drive End	INST	Instrument
DEG	Degree	INT	Interior, Internal
DIA	Diameter	INTER	Intermediate
DIAG	Diagram	JUNC	Junction
DIAPH	Diaphragm	KNCKL	Knuckle
DIFF	Differential	K/PIN	King Pin



LIST OF ABBREVIATIONS



LB	Pounds	RSM	Right Side Mounted
LGT	Light	RT	Right
LH	Left Hand	SBA	Set Back Axle
LHD	Left Hand Drive	SEL	Selector
LK	Lock	SERV	Service
LKG	Locking	SFA	Set Forward Axle
LSM	Left Side Mounted	SHFT	Shaft
LT	Left	SHK/ABS	Shock Absorber
LUB	Lubrication	SHPF	Shakeproof
LW	Lockwasher	SLK	Slack
LWR	Lower	SLT	Slotted
MACH	Machine	SMBR	Side Member
MANF	Manifold	SPEC	Special
MASHFT	Mainshaft	SPECS	Specification
MATL	Material	SPEEDO	Speedometer
MBR	Member	SPG	Spring
MED	Medium	SQ	Square
MIRR	Mirror	SQ-NK	Square Neck
MLDG	Moulding	SST	Stainless Steel
MM	Millimeters	STD	Standard
MTG	Mounting	STGHT	Straight
NC	National Coarse Thread	STL	Steel
NF	National Fine Thread	STRG	Steering
NI	Nickel	SUPT	Support
NO.	Number	SUSP	Suspension
NPT	National Pipe Thread	SW	Switch
OD	Outside Diameter	SWVL	Swivel
OPER	Operating	SYS	System
OPT	Optional	T	Teeth
OTR	Outer	TAP	Tapping
OV-HD	Oval Head	TEMP	Temperature
OZ	Ounce	TERM	Terminal
O/S	Oversize	THERMO	Thermostat
PAN-HD	Pan Head	THD	Threads
PC	Piece	TIM	Timken
PDC	Parts Distribution Center	TR-HD	Truss Head
PKG	Package	TRANS	Transmission
PL	Plain	TRUN	Trunion
PLTD	Plated	TUBLR	Tubular
PNL	Panel	U/S	Undersize
PROP	Propeller	UNFIN	Unfinished
PT	Point	UNIV	Universal
PTO	Power Take-off	UPR	Upper
RAD	Radiator	V	Volt
RD	Round	VAC	Vacuum
REG	Regulator	VENT	Ventilator
REH	Reusable End Hose	W/	With
REINF	Reinforce, Reinforcement	W/O	Without
RETNR	Retainer	W/S	Windshield
REV	Reverse	WB	Wheel Base
RH	Right Hand	WIN	Window
RHD	Right Hand Drive	WIR	Wiring
RIV	Rivet	XMBR	Crossmember
RPM	Revolutions per Minute	ZN	Zinc

ENGINE FEATURES

This catalog incorporates the following features :

<u>PART NO</u>	<u>DESCRIPTION</u>
466N	I-308 466 CORE FEATURE
EB01	WATER OUTLET, RIGHT SIDE FEATURE
EL23	FN DR.-15.1" 1.2:1 BLT ON HD FEATURE
EM01	COOLANT CONDITIONER FILTER FEATURE
EP01	ELBOW, WATER INLET - TRUCK FEATURE
FB08	FRONT COVER,SAE BFLANGE I308 FEATURE
FL01	OIL PAN - REAR SUMP FEATURE
FM09	OIL LEVEL GAGE (REAR SUMP) FEATURE
GB01	VIBRATION DAMPER FEATURE
GL11	FLYWHEEL, SAE #3 CLARK FEATURE
HD10	VALVE COVER& INTAKE MANIFOLD FEATURE
HF01	ENGINE LIFTING EYES - TRUCK FEATURE
IC10	HARDWARE, ELEC.FRNT MNT 24V FEATURE
IL09	ALTERNATOR BRACKET-21SI FEATURE
JL06	FLYWHEEL HOUSING-SAE #3 FEATURE
JM03	FRONT ENGINE MOUNTS-1 POINT FEATURE
JN00	WITHOUT REAR ENGINE MOUNT FEATURE
KL17	FUEL FILTER FEATURE
KM00	THROT. NONE, HEUI & AS&Q FEATURE
KN00	NO ELECTRIC SHUTOFF FEATURE
M285	466E RATING 210HP@2200 RPM,I308 UGM
NB01	EXH. MAN.-DOWN MT FRT INL FEATURE
NO01	EX MAN-DOWN MT TURBO FRT INL FEATURE
P099	TURB & PIPING FEATURE
PA91	DTA 40 DEG. TOP IN REAR EX FEATURE
PL01	EXHAUST OUTLET FEATURE
QL01	ACC CVR W/O A COMP/HYD PMP FEATURE
QM00	NO HYD PUMP & NO AIR COMP FEATURE
RL01	REAR VENTING BREATHER-HUEI FEATURE
YA00	WITHOUT STARTER & DRIVE FEATURE
YB06	ALTERNATOR FEATURE - 21SI 24V70A
YC00	WITHOUT DRIVE BELT FEATURE



DESCRIPTION INDEX



PART NUMBER	DESCRIPTION	PART NUMBER	DESCRIPTION
1825622C91	(CONSISTS OF PARTS DENOTED BY KA)	1817956C1	BOLT, M8X20MM HEX FLANGE
1830187C91	(CONSISTS OF PARTS DENOTED BY KA)	1817957C1	BOLT, M8X25 HEX FLANGE
1830188C91	(CONSISTS OF PARTS DENOTED BY KB)	1817959C1	BOLT, M8X40 HEX FLANGE
1819496C1	ADAPTER, FILTER ELEMENT	1818230C1	BOLT, M8X65 HEX FLANGE
1830535C91	ALTERNATOR,AC	1817960C1	BOLT, MB X 1.25 6Q 45MM
1827195C93	AMR,ROCKER	1820287C1	BOLT, UPPER IDLER GEAR RET
1827743C3	ARM, ROCKER	1827078C1	BOLT,BEARING CAP
1822523C1	BAR, OIL PAN MOUNTING	30360R1	BOLT,CARB THROTTLE BODY
675020C2	BEARING	1817537C1	BOLT,CONN ROD
675021C2	BEARING	1824955C1	BOLT,CYL HEAD
1817021C1	BEARING CRANKSHAFT INT & LOW	1824954C2	BOLT,CYLINDER HEAD
1830269C1	BEARING, C'SHAFT REAR LOWER	1835385C1	BOLT,HEAVY HX FLG-M8 X 80MM
675424C1	BEARING, CAM FRONT	1830050C1	BOLT,INJECTOR
675425C1	BEARING, CAM REAR	40055R1	BOLT,M20 X 70 12PT
1822043C1	BEARING, FAN	1824752C1	BOLT,M8 X 1.25 X 55MM
1822275C1	BEARING, JOURNAL	1823809C1	BOLT,M8X120MM(SPEC LONG THD)
1830506C1	BEARING,C'SHAFT FRONT UPPER	1817958C1	BOLT,M8X30 HEX FLANGE
1830505C1	BEARING,C'SHAFT REAR UPPER	1830051C1	BOLT,SHOULDER
1830149C1	BEARING,CONN ROD	1822267C1	BOLT,U SPECIAL
1822292C1	BEARING,THRUST	1829995C92	BRACKET ASSY.,CEC FRONT MOUNT
1821013C1	BLOCK, TAPPING-DRAIN PLUG	1822041C1	BRACKET, ALTERNATOR MTG
1835315C1	BLOCK,OIL PICK-UP TUBE	1820912C1	BRACKET, BREATHER TUBE - LOWER
1802872C1	BODY, OIL INLET SCREEN	1820064C2	BRACKET, CAMP TRANSDUCER
1817811C1	BOLT M8 X 1.25 6Q 60MM	1817671C1	BRACKET, OIL COOLER
24868R1	BOLT, 1/2 X 4 PHC TYPE 8	1822183C1	BRACKET,ENG MTG FRONT SGL PT
25296R1	BOLT, 1/2 X 6-1/2 PHC TYPE 8	1820227C2	BRACKET,OIL PICKUP TUBE
1822121C2	BOLT, HF SPCL-M8P	1827435C1	BRACKET,ROCKET SHAFT
1823283C1	BOLT, M10 X 1.5 X 16HF	1818598C1	BUSHING, CONN ROD
1818233C1	BOLT, M10 X 20 HEX FLGE	1819824C1	BUSHING, CONNECTING ROD
30029R1	BOLT, M10 X 70 PHC CLASS 10.9	1813821C1	BUSHING,ACCEL PEDAL
1817993C1	BOLT, M10 X 80MM	684902C1	BUSHING,PISTON PIN
1822018C1	BOLT, M10 X 90MM	1827193C1	BUTTON, ROCKER ARM
1820590C1	BOLT, M10X120 HEX FLANGE	1830613C91	CAMSHAFT,ASSEMBLY
1823929C1	BOLT, M12 X 1.25	1824747C1	CAMSHAFT,MACHINING
1817969C1	BOLT, M12 X 1.75	1830616C1	CAP,MAIN BEARING
1817967C1	BOLT, M12 X 1.75 6Q 25MM	1815699C2	CARRIER, OIL
1817830C1	BOLT, M12 X 1.75 6Q 35MM	1823733C2	CARRIER,OIL SEAL
1818236C1	BOLT, M12 X 30 HEX FLANGE	1807296C1	CHANNEL, WIRING HARNESS
1820606C1	BOLT, M12 X 50 HEX FLANGE	299565C1	CLAMP, .688 DIA ZNP COATED MED
1830531C1	BOLT, M12X1.75-6G PILOT POINT	2003460C1	CLAMP,CABLE
1820235C1	BOLT, M14 X 30 HEX FLGE	1822268C1	CLAMP,CHOKE CABLE OR THROTTLE
1820392C1	BOLT, M18 X 100MM LONG	893944R92	CLAMP,EXH PIPE TO MANIFOLD
1817860C1	BOLT, M18 X 70MM LONG	690835C1	CLAMP,OIL FILLER MTG
1817817C1	BOLT, M6 X 1.0 20MM	27902R1	CLAMP,TIRE CARR 1.50 DIA ZNP C
1817810C1	BOLT, M6 X 1.25 6Q 12MM	406381C1	CLAMP.HOSE
1817953C1	BOLT, M6 X 15 HEX FLANGE	1807336C1	CLIP,HARNESS
1817859C1	BOLT, M8 X 1.25 6Q 60MM	1822897C1	CLIP,HARNESS RETAINER
1817961C1	BOLT, M8 X 1.25 6Q 90MM	1823813C1	COLLAR,THRUST
1823281C1	BOLT, M8 X 1.25 X 20MM	1822645C1	CONDUIT, CONV.
1823275C1	BOLT, M8 X 1.25 X 30MM	1822646C1	CONDUIT, CONV.
1818693C1	BOLT, M8 X 110 HEX FLGE	1815924C1	CONNECTOR, INJECTOR
1817978C1	BOLT, M8 X 35 HEX FLG	1815924C2	CONNECTOR, INJECTOR
1818726C1	BOLT, M8 X 70 HEX FLANGE	606819C1	CONNECTOR,FLEX TUBE
1818231C1	BOLT, M8 X 80 HEX FLANGE	1807322C1	CONNECTOR,IPR
1817812C1	BOLT, M8X16 HEX FLANGE	1823351C93	CONSISTS OF PARTS DENOTED BY KA



DESCRIPTION INDEX



PART NUMBER	DESCRIPTION	PART NUMBER	DESCRIPTION
1830622C92	COOLER,ASM OIL	1822120C1	GASKET,TURBOCHARGER
1815904C2	COOLER,OIL	397630C1	GASKET,V PLUG INJ PUMP
1830624C1	COVER ASSY,VALVE	1820953C3	GAUGE,OIL LEVEL
1826335C91	COVER ASSY.,FRONT (REAR HALF)	1820204C92	GEAR ASSY, LOWER IDLER
1820465C4	COVER, FRONT (FRONT HALF)	1820203C93	GEAR ASSY, UPPER IDLER
1827160C2	COVER,ENGINE HARNESS	1823944C92	GEAR ASSY,CAMSHAFT
1820465C3	COVER,FRONT (FRONT HALF)	1822101C95	GEAR ASSY,LOWER
1830279C1	CRANKCASE	1822102C95	GEAR ASSY.,UPPER
1830617C91	CRANKCASE,ASSEMBLY	1820982C1	GEAR, RING
1830597C91	CRANKSHAFT ASSEMBLY	1821997C3	GEAR,CAMSHAFT
1820855C92	DAMPER ASSEMBLY	1820299C1	GEAR,CRANKSHAFT
1820856C1	DAMPER,CRKSHFT VIBRATION	1824636C1	GEAR,IDLER LOWER (HEUI)
1820855C91	DAMPER,VIBRATION	675364C1	GEAR,IDLER TIMING
1820856C2	DAMPER,VIBRATION EMD-1701	1824635C1	GEAR,IDLER UPPER (HEUI)
1824723C1	DISC,TIMING SENSOR	1820967C2	GEAR,PUMP
1825563C91	ELBOW ASSY.,37-DEG O-RING BOSS	1813892C1	GUIDE,ROLLER TAPPET
1814737C2	ELBOW, OIL PICK-UP	1824647C1	GUIDE,VALVE (SERVICE)
9410976	ELBOW,PIPE GIVE SIZE	1820213C1	GUIDE,VALVE TAPPET
641009A003	ELECTRICAL WIRING, FRT MTD CEC W/EOP	1807417C95	HARNESS ASSEMBLY,ENGINE
1823920C1	EXTENSION,CLIP	1807455C91	HARNESS,INTERNAL WIRING
2002176C1	EXTENSION,CLIP	1807285C92	HARNESS,INTRNL WIRING I-6HEUI
1817560C2	EYE, LIFTING FRONT	1830345C92	HEAD ASSY CYL
1820215C1	EYE, LIFTING REAR	1830346C92	HEAD ASSY, CYL
1820358C1	FILTER, COOLANT	1830345C93	HEAD ASSY.,CYLINDER
1820361C1	FILTER, COOLANT	1830346C93	HEAD ASSY.,CYLINDER
1833121C1	FILTER, EXTENDED LIFE OIL	1827113C1	HEAD,CYL
1819452C1	FILTER, LUBE OIL	1827113C2	HEAD,CYLINDER
1825542C1	FITTING,3-WAY MANIFOLD OIL	1820381C93	HEADER ASSY, COOLANT FILTER
1835473C1	FITTING,BANJO	1825661C93	HEADER ASSY., FUEL FILTER
1835474C1	FITTING,BANJO	1827689C91	HEADER ASSY.,COOLANT FILTER
1819772C1	FITTING,COMPRESSION SLEEVE	1827792C1	HEADER ASSY.,FILTER RETAINER
1809797C1	FITTING,SPECIAL TUBE	1817574C1	HEADER, OIL COOLER FLTR
1825667C1	FLANGE,TURBO OIL DRAIN	1830623C1	HEADER,OIL COOLER FRONT
1822029C91	FLYWHEEL, CLARK SAE#3	1825576C1	HOSE ASSY,HIGH PRESS
641009C009	FRONT MTG. CEC NAVPAK 24V	1829802C1	HOSE ASSY.,HIGH PRESSURE
641011C052	FUEL INJ. (I308,466ST)	1824718C91	HOUSING ASSY & NOISE RING
1818727C1	GASKET, AIR COMP COVER	1822050C91	HOUSING ASSY, FAN
1814752C1	GASKET, EXHAUST MANIFOLD	1827476C91	HOUSING ASSY, OIL PUMP
1822577C1	GASKET, MANIFOLD	1817625C91	HOUSING ASY, OIL PMP
253660R2	GASKET, OIL INLET FLANGE	1822266C1	HOUSING, CENTER
1820920C2	GASKET, RESERVOIR	1822282C2	HOUSING, COMPRESSOR
1820936C1	GASKET, TURBO OIL DRAIN	1822291C92	HOUSING, CTR ROTATING ASSY
1820909C1	GASKET, VALVE COVER	1822145C1	HOUSING, FAN BEARING
1817974C1	GASKET, WATER INLET ELBOW	1821290C1	HOUSING, PUMP
1819008C1	GASKET,ADAPTER TO CARB	1822287C1	HOUSING, TURBINE
1816722C2	GASKET,CAMSHAFT BRG PLATE	1825638C91	HOUSING,CNTR & ROTATOR ASSY
1830327C1	GASKET,CYL HEAD	1821971C1	HOUSING,FLYWHEEL SAE#3
1825436C1	GASKET,EXHAUST MANIFOLD	1827395C92	HOUSING,OIL PUMP
1818716C4	GASKET,FC OIL SUCTION	1825636C1	HOUSING,TURBOCHARGER TURBINE
1818717C5	GASKET,FRONT COVER	1833234C1	HOUSING,VALVE
1820416C4	GASKET,FRONT COVER TO CRANKCSE	1822006C1	HUB, FAN & PULLEY MTG.
1824755C1	GASKET,FUEL PUMP	1823810C1	IMPELLER, WHEEL COMP ASSY
1830317C1	GASKET,INJECTOR	1830741C93	INJECTOR, ASM W/SEALS
1826587C1	GASKET,OIL PAN	1830562C2	INJECTOR,ASSY EMD-1439
1824911C1	GASKET,REAR SEAL CARRIER	2003467C1	INLET,WATER ENGINE



DESCRIPTION INDEX



PART NUMBER	DESCRIPTION	PART NUMBER	DESCRIPTION
1827121C2	INSERT,EXH	1813820C1	PLATE,AIR CLEANER MTG SUPT
1830711C1	INSERT,EXH	1823814C1	PLATE,BACK UP
1830712C1	INSERT,EXH	1817545C1	PLATE,CAMSHAFT THRUST FLANGE
1830713C1	INSERT,EXH	675412C1	PLATE,CAMSHFT BRG COVER
1830310C2	INSERT,INT SEAT	686702C1	PLATE,CAMSHFT BRG COVER
1830311C2	INSERT,INT SEAT	1827400C1	PLATE,OIL PUMP HOUSING
1171677R2	INSTRUCTION SHEET	23623R1	PLUG, 1-1/4 CUP
1171695R1	INSTRUCTION SHEET	445751	PLUG, 1/2-14 PLN SQ/SKT AUTO P
1171722R1	INSTRUCTIONS	444618	PLUG, 1/4-18 PLN H/HD AUTO PIP
1830974C1	INSULATOR, CEC SHIPPING	444612	PLUG, 1/8-27 PLN H/HD AUTO PIP
1831251C1	INSULATOR,FOAM	444613	PLUG, 1/8-27 ZNP H/HD AUTO PIP
218211	KEY, 1/4 X 3/4 SAE 91 WOODRUFF	327412R1	PLUG, 13/16 CUP
1824644C1	KEY,MANIF HEAT CONT LEVER	444699	PLUG, 3/8-18 PLN HEX/SKT AUTO
691044C1	KEY,WOODRUFF	347822R1	PLUG, 5/8 CUP
1831415C92	KNOB,ASSY,CEC HARNESS(95)	1822838C1	PLUG, CAP INJECTOR TIP
1831746C1	LABEL,INSTL OR INST	27551R1	PLUG,CUP 7/8 (FOR SALVGE)
1831730C1	LUBRICATOR,GREASE 1/4 OZ TUBE	40090R1	PLUG,CUP S.S.
1831731C1	LUBRICATOR,GREASE 4 OZ TUBE	1825504C1	PLUG,FLANGED HEX HEAD
1831729C1	LUBRICATOR,GREASE,DIELECTRIC	1813822C1	PLUG,INJ PUMP
1829825C91	MANIFOLD ASSY.,OIL & FUEL	40005R1	PLUG,INJ PUMP
1818561C3	MANIFOLD, EXHAUST - CENTER	1827515C1	PLUG,OIL RAIL END
1814149C2	MANIFOLD, EXHAUST FRT/RR	1826342C1	PLUG,PIPE 1/8 NPTF
1807478C1	MODULE,ELECT. CONTROL-24V	9409949	PLUG,PIPE 3/4 NPT
1822269C1	NAMEPLATE	1819005C1	PLUNGER, PUMP
1821648C1	NUT, HF M10 X 1.25	1807428C1	PROD.GRAPH.WARN.LABEL
1820301C1	NUT, LOWER IDLER SHAFT	1830033C1	PULLEY ASSEMBLY, AUTOMATIC
31083R1	NUT, M10 X 1.50 6H FN	1815421C1	PULLEY,ALTERNATOR OR ALTERNATOR
31084R1	NUT, M12 CLASS 10 PHC FLG	1818607C1	PULLEY,FAN
40049R1	NUT, M6 X 1.0	1817891C1	PULLEY,WATER PUMP
1820923C1	NUT, VALVE ADJ SCREW	1817687C96	PUMP ASSEMBLY,WATER
1824978C1	NUT,(IPR)	1825681C94	PUMP ASSY.,HIGH PRESSURE OIL
265205R1	NUT,FLEX TUBE	1830177C91	PUMP,ASM FUEL ELECT
25526R1	NUT,HEX 1/2 NC TYPE 8	1821232C92	PUMP,LOW PRESSURE FUEL SUPPLY
40050R1	NUT,SPECIAL	1829856C91	REGULATOR,INJ. O.P. CONTROL
1820278C1	NUT,UPPER IDLER SHAFT	1825250C91	REGULATOR,INJ.PRESS
641013A004	OIL PUMP	1822045C1	RETAINER,FAN BRG
641007C001	OIL SEALS	1834335C1	RETAINER,VALVE
1830742C92	PACKAGE, INJECTOR SEALS	1817633C2	RING O CYL SLEEVE
1830187C91	PACKAGE,BREATHER TUBE	1818400C1	RING, 1.484 ID "O"
1830188C91	PACKAGE,BREATHER TUBE	682444C1	RING, CMSFT SEAL-REAR
1823351C93	PACKAGE,COOLANT CONDITIONER	1817074C1	RING, CUSHION
1825622C91	PACKAGE,HOSE HIGH PRESSURE	1820353C1	RING, FILTER O
1825806C91	PACKAGE,IPR SEALS	1824735C1	RING, O SEAL
1823311C1	PAN SUB-ASSY., OIL (24 QT)	1824736C1	RING, O-SEAL
1823278C92	PAN,OIL ASSEMBLY	454319R1	RING, SNAP 1.041 EXT RET
19841R1	PIN, 1/4 X .500 PLN HDN DOWEL	1817586C1	RING, TOP COMPRESSION
17135R1	PIN, 5/32 X 5/16 PLN SLT-SPR	1817073C2	RING, UPPER BACKUP
1822086C1	PIN,DOWEL HOUSING BUSHING	1822135C1	RING, VENT TUBE "O"
1830060C1	PIN,PISTON STD	1814546C1	RING,BACKUP-SUPPLY RAIL
1820813C1	PIN,REAR FRT COVER DOWEL	1824948C1	RING,BRAZING
1828026C1	PIN,SLOTTED SPRING	1817000C2	RING,CREVICE SEAL
1830621C1	PISTON (466BB-LOW HP)	1825626C1	RING,INTER COMPRESSION
1830621C2	PISTON (466BB-LOW HP)	1812691C1	RING,O
1818432C1	PLATE, AIR COMP COVER	1813823C1	RING,O
1802871C1	PLATE, CONTROL	1813824C1	RING,O



DESCRIPTION INDEX



PART NUMBER	DESCRIPTION	PART NUMBER	DESCRIPTION
1818402C2	RING,O	1807369C2	SENSOR,OIL PRESSURE
1820907C2	RING,O	1830592C91	SHAFT ASSY, ROCKER ARM
1822280C1	RING,O	1830593C92	SHAFT ASSY.,BRKT & ROCKER ARM
1822998C1	RING,O	1820294C1	SHAFT,IDLER LOWER
1823010C1	RING,O	1820277C1	SHAFT,IDLER UPPER
1823790C1	RING,O	1827168C1	SHAFT,ROCKER ARM
1824908C1	RING,O	1822277C1	SHROUD, WHEEL
1827853C1	RING,O	2644000R1	SLEEVE HEAT SHRINK
1830595C1	RING,OIL CONTROL	1812348C1	SLEEVE, 3/8 TUBE -FLEX
1823812C1	RING,PISTON	1817866C1	SLEEVE, WEAR
1823815C2	RING,PISTON	2644038R1	SLEEVE,CABLE INSULATING
1818702C1	RING,PISTON PIN	265204R1	SLEEVE,COMP OR FLEX TUBE
55163R1	RING,SNAP HYDV HYD CYL CON .83	1810561C2	SLEEVE,COOLANT VALVE
1820951C1	RING,THERMOSTAT	1830706C1	SLEEVE,CYLINDER
1830152C1	ROD & CAP, CONNECTING	1818841C1	SLEEVE,INJ PUMP
1821962C2	ROD PUSH ASSEMBLY	1827296C1	SLEEVE,INJECTOR
1830153C91	ROD,ASM CONNECTING	1833382C1	SLEEVE,INJECTOR
1821144C1	ROLLER TAPPET, SHELL	1827174C1	SLEEVE,WEAR
1824680C1	ROTATOR,VALVE	675861C2	SLEEVE,WEAR
1830366C91	ROTOR ASSY, OIL PUMP	1826345C1	SPACER
1827397C91	ROTOR ASSY,OIL PUMP	1822276C1	SPACER, BEARING
1827399C1	ROTOR,INNER	1820823C1	SPACER,FAN
1830367C1	ROTOR,INNTER	1821146C1	SPRING, COMPRESSION
1827398C1	ROTOR,OUTER	677349C1	SPRING,FUEL PUMP DIAPH ALSO SE
1830368C1	ROTOR,OUTER	1833235C1	SPRING,RELIEF VALVE
1822290C1	ROTOR,TURBOCHARGER	1827316C1	SPRING,ROCKER SHAFT
326541R1	SCREEN	1825540C1	SPRING,VALVE EXHAUST
1802870C1	SCREEN ASSEMBLY, OIL PICK-UP	1823742C1	STUD BOLT,M8X110X19
1825464C1	SCREW,FL HD M5X12	1819245C1	STUD, M8 X 90 VALVE COVER
1825467C1	SCREW,HOLLOW-FLEX FITTING	1821642C3	STUD, TURBO ADAPTER
40086R1	SCREW,KNOB STD	1820945C92	SUPERCHARGER,ASM TURBO NEW
16067DA	SCREW,ROCKER ARM ADJ	1825632C91	SUPERCHARGER,ASSY
1810491C1	SCREW,SPECIAL MACH	1827803C1	SUPPORT,UVC HARNESS
1817867C92	SEAL ASSEMBLY,RADIAL LIP	1821143C1	TAPPET, SLIDING
1820878C2	SEAL, FRONT COVER	1809570C1	TAPPET,ENG VALVE
1814695C1	SEAL, INJ. LOW	1830487C1	TEE, 1/8-27 AUTO PIPE
1817862C1	SEAL, OIL PUMP	1830256C91	THERMOSTAT ASSEMBLY
1807261C1	SEAL, PRESS CONNECTOR	1833031C1	TRANSDUCER
1807263C1	SEAL, PRESSOR SENSOR	1807339C92	TRANSDUCER ASSY,CAMP
1817865C1	SEAL, RADIAL LIP	1824949C1	TRANSDUCER,CAMP
1822278C1	SEAL, RING	1812818C92	TRANSMITTER ASSY,INJ CONT
1815874C1	SEAL,O-RING	1830669C91	TRANSMITTER, ICP
1824981C1	SEAL,BACK-UP RING	1813658C2	TRANSMITTER, SENSOR BACK PRESS
1816000C1	SEAL,INJ PMP UP	1814320C1	TRANSMITTER,SENSOR ENG TEMP
1834357C1	SEAL,MIDDLE INJECTOR	1827220C1	TUBE ASSEMBLY,BREATHER
1815873C1	SEAL,O-RING	1827224C1	TUBE ASSEMBLY,BREATHER
1824979C1	SEAL,O-RING	1834491C1	TUBE ASSY., OIL PICK-UP
1824980C1	SEAL,O-RING	1818732C94	TUBE ASSY., TURBO OIL INLET
1825610C1	SEAL,O-RING	1829801C91	TUBE ASSY.,FINAL FILTER OUTLET
1812559C1	SEAL,OIL DIPSTICK TUBE	1820225C93	TUBE ASSY.,OIL PICKUP
1830284C1	SEAL,REAR POSE	1825520C91	TUBE ASSY.,TRANSFER PUMP IN
1825685C1	SEAL,REXROTH PUMP FLANGE	1825521C93	TUBE ASSY.,TRNSFR PUMP OUTLET
1830172C1	SEAL,RING	1820226C1	TUBE, OIL PUMP PICKUP
1823925C1	SEAL,VALVE STEM ASSY.	1818733C4	TUBE, TURBO OIL INLET
446839C1	SEALANT,	1829832C1	TUBE,FINAL FILTER OUTLET



DESCRIPTION INDEX

PART NUMBER	DESCRIPTION	PART NUMBER	DESCRIPTION
1823743C2	TUBE,OIL FILLER		
1830360C1	TUBE,OIL JET		
691846C1	TUBE,OIL LEVEL GAUGE		
1835353C1	TUBE,OIL PICK-UP		
1825669C1	TUBE,TURBO OIL DRAIN		
1833344C1	VALVE		
1825511C1	VALVE ASSY, REGULATOR		
1825249C91	VALVE ASSY,IPR		
1833386C1	VALVE ASSY., OIL RELIEF		
1827684C1	VALVE FILTER SHUT-OFF		
1819418C2	VALVE, TEMP/PRESSURE		
1824840C1	VALVE,EXHAUST		
1826471C1	VALVE,INTAKE		
1813818C1	VALVE,STARTING FUEL		
30175R1	WASHER, 8.8 X 17 X 2MM PHC		
691273C1	WASHER,COPPER		
1814757C2	WASHER,HARDENED		
26273R1	WASHER,LOCK .531X1.062X .134 P		
687024C1	WASHER,SPECIAL		
1807310C1	WIRE,GOV SEAL		



PART NUMBER INDEX



PART NUMBER	FIGURE	ITEM	PART NUMBER	FIGURE	ITEM	PART NUMBER	FIGURE	ITEM
1171677R2	1823351C93	004	1814757C2	641008C003	003	1817957C1	641005M001	002
1171695R1	1825622C91	008	1815421C1	641009M002	002	1817957C1	641006B008	010
1171722R1	1830187C91	003	1815699C2	641007C001	001	1817957C1	641013A003	006
1171722R1	1830188C91	003	1815873C1	1825622C91	005	1817957C1	641013A004	006
16067DA	1827195C93	003	1815873C1	1829825C91	003	1817958C1	641005L026	007
17135R1	1830597C91	002	1815874C1	1812818C92	001	1817958C1	641005P001	003
17135R1	641007A003	003	1815874C1	1825622C91	007	1817958C1	641006B008	009
1802870C1	1820225C93	004	1815874C1	1830669C91	002	1817958C1	641007C001	003
1802870C1	1820225C93	008	1815904C2	1830622C92	001	1817959C1	641006B008	014
1802870C1	1834491C1	004	1815924C1	1807285C92	001	1817959C1	641008A008	008
1802871C1	1802870C1	003	1815924C2	1807285C92	001	1817960C1	641006B008	008
1802872C1	1802870C1	002	1815924C2	1807455C91	001	1817960C1	641006L001	006
1807261C1	1807417C95	007	1816000C1	1830741C93	006	1817961C1	641008D011	003
1807263C1	1829856C91	002	1816000C1	1830742C92	003	1817967C1	641008F001	002
1807285C92	641009A003	008	1816722C2	641006L001	005	1817969C1	641016L001	003
1807296C1	641009A003	007	1817000C2	641006A005	005	1817974C1	641005P001	002
1807310C1	641009A003	006	1817021C1	641007A003	007	1817978C1	641005L026	009
1807322C1	1807417C95	004	1817073C2	1830741C93	004	1817978C1	641011L016	017
1807336C1	1807417C95	008	1817073C2	1830742C92	001	1817978C1	641015D001	009
1807339C92	641009B003	003	1817074C1	1830741C93	005	1817993C1	641009L009	006
1807369C2	641009B003	008	1817074C1	1830742C92	002	1817993C1	641020B002	002
1807417C95	641009A003	001	1817537C1	641004A002	005	1818230C1	641005L026	010
1807428C1	1807417C95	003	1817545C1	1830613C91	003	1818231C1	641009C009	003
1807455C91	641009A003	001	1817560C2	641008F001	001	1818233C1	641017L002	004
1807478C1	641009C009	001	1817574C1	1830622C92	005	1818236C1	641011E001	001
1809570C1	641003C002	002	1817586C1	641004B019	004	1818236C1	641011E002	001
1809797C1	641011L016	026	1817625C91	641013A004	001	1818400C1	1830622C92	007
1810491C1	641011L016	021	1817633C2	641006A005	004	1818402C2	641015D001	007
1810561C2	1827689C91	003	1817671C1	641015D001	008	1818432C1	641016L001	002
1812348C1	641011L016	018	1817687C96	641005A001	001	1818561C3	641014B001	002
1812348C1	641011L016	019	1817810C1	641005A001	006	1818598C1	641004A002	004
1812348C1	641011L016	020	1817810C1	641005A001	008	1818607C1	641005L026	008
1812348C1	641015D001	003	1817811C1	641005A001	004	1818693C1	641008D011	004
1812559C1	641006M008	005	1817812C1	641005B001	005	1818702C1	641004B019	003
1812691C1	1821232C92	002	1817812C1	641006L001	003	1818716C4	641006B008	006
1812818C92	641009B003	001	1817812C1	641009B003	004	1818717C5	641006B008	005
1813658C2	641009B003	007	1817812C1	641015D001	014	1818726C1	641011E001	005
1813818C1	1821232C92	007	1817817C1	641011E001	001	1818726C1	641011E002	006
1813820C1	1821232C92	008	1817817C1	641011E002	001	1818727C1	641016L001	001
1813821C1	1821232C92	016	1817830C1	641014B001	004	1818732C94	641015D001	001
1813822C1	1821232C92	013	1817859C1	641013A003	005	1818733C4	641015D001	002
1813823C1	1821232C92	014	1817859C1	641013A004	005	1818841C1	1821232C92	012
1813824C1	1821232C92	006	1817860C1	641010M003	002	1819005C1	1821232C92	005
1813892C1	641003C002	001	1817862C1	641013A003	004	1819008C1	641011E001	001
1814149C2	641014B001	001	1817862C1	641013A004	004	1819008C1	641011E002	001
1814320C1	641009B003	002	1817865C1	1817867C92	001	1819245C1	641008D011	005
1814546C1	1825622C91	004	1817866C1	1817867C92	002	1819418C2	1830622C92	007
1814546C1	1829825C91	004	1817867C92	641007C001	002	1819452C1	641013B001	001
1814695C1	1830741C93	008	1817891C1	641005A001	007	1819772C1	641011L016	029
1814695C1	1830742C92	005	1817953C1	641009A003	003	1819824C1	641004A002	004
1814737C2	1820225C93	001	1817953C1	641010L005	005	1820064C2	1807339C92	002
1814737C2	1820225C93	005	1817956C1	641003A004	002	1820203C93	1822102C95	002
1814737C2	1834491C1	001	1817956C1	641006M008	008	1820204C92	1822101C95	002
1814752C1	641014B001	003	1817956C1	641011L016	024	1820213C1	1830345C92	011
1814757C2	641008A008	005	1817956C1	641015D001	013	1820213C1	1830345C93	011



PART NUMBER INDEX



PART NUMBER	FIGURE	ITEM	PART NUMBER	FIGURE	ITEM	PART NUMBER	FIGURE	ITEM
1820215C1	641008F001	003	1821971C1	641010L005	001	1823810C1	1820945C92	017
1820225C93	641006L001	004	1821997C3	1823944C92	001	1823812C1	1820945C92	016
1820226C1	1820225C93	002	1822006C1	1822050C91	001	1823813C1	1820945C92	014
1820226C1	1820225C93	006	1822018C1	641009L009	002	1823814C1	1820945C92	009
1820227C2	1820225C93	003	1822029C91	641007L008	001	1823815C2	1820945C92	018
1820227C2	1820225C93	007	1822041C1	641009L009	001	1823920C1	641011L016	027
1820235C1	641008F001	004	1822043C1	1822050C91	003	1823925C1	1830346C92	008
1820277C1	1822102C95	003	1822045C1	1822050C91	005	1823925C1	1830346C93	008
1820278C1	1822102C95	004	1822050C91	641005L026	001	1823929C1	641007B003	005
1820287C1	641003D002	003	1822086C1	641010L005	002	1823929C1	641007L008	002
1820294C1	1822101C95	003	1822101C95	641003D002	001	1823944C92	1830613C91	004
1820299C1	1830597C91	003	1822102C95	641003D002	002	1824635C1	1822102C95	001
1820299C1	641007A003	004	1822120C1	641015A002	001	1824636C1	1822101C95	001
1820301C1	1822101C95	004	1822121C2	641006B008	003	1824644C1	1830346C92	005
1820353C1	1823351C93	003	1822135C1	1830187C91	002	1824644C1	1830346C93	005
1820353C1	641005M001	003	1822135C1	1830188C91	002	1824647C1	1830345C92	013
1820358C1	641005M001	001	1822135C1	641017L002	001	1824647C1	1830345C93	013
1820361C1	641005M001	001	1822145C1	1822050C91	002	1824680C1	1830346C92	009
1820381C93	1823351C93	001	1822183C1	641010M003	001	1824680C1	1830346C93	009
1820381C93	641005M001	005	1822266C1	1820945C92	012	1824718C91	1820945C92	001
1820392C1	641010M003	003	1822267C1	1820945C92	011	1824723C1	641003A004	004
1820416C4	641006B008	001	1822268C1	1820945C92	002	1824735C1	1830622C92	003
1820465C3	641006B008	007	1822268C1	1825632C91	002	1824736C1	1830622C92	002
1820465C4	641006B008	007	1822269C1	1825632C91	019	1824747C1	1830613C91	001
1820590C1	641009L009	004	1822275C1	1820945C92	007	1824752C1	641011E001	004
1820606C1	641010L005	003	1822276C1	1820945C92	010	1824752C1	641011E002	005
1820813C1	641006B008	002	1822277C1	1820945C92	006	1824755C1	641011E001	001
1820823C1	641005L026	011	1822278C1	1820945C92	015	1824755C1	641011E002	001
1820855C91	641007B003	001	1822280C1	1820945C92	013	1824840C1	1830346C92	004
1820855C92	641007B003	001	1822282C2	1825632C91	001	1824840C1	1830346C93	004
1820856C1	1820855C91	001	1822287C1	1820945C92	003	1824908C1	1807285C92	001
1820856C2	1820855C92	001	1822290C1	1820945C92	005	1824908C1	1807455C91	004
1820878C2	641006B008	016	1822291C92	1820945C92	004	1824911C1	641007C001	004
1820907C2	641006B008	015	1822292C1	1820945C92	008	1824948C1	1807339C92	003
1820909C1	641008D011	001	1822577C1	641008A008	007	1824949C1	1807339C92	001
1820912C1	1827224C1	001	1822645C1	641011E001	007	1824954C2	641008A008	003
1820920C2	641006B008	013	1822645C1	641011E002	007	1824954C2	641008A008	004
1820923C1	1827195C93	004	1822646C1	641011E001	007	1824955C1	641008C003	002
1820936C1	641015D001	012	1822646C1	641011E002	007	1824978C1	1825806C91	004
1820945C92	641015A002	002	1822838C1	1830741C93	003	1824978C1	1825806C91	009
1820951C1	641005B001	003	1822897C1	1807285C92	001	1824978C1	641011E001	003
1820953C3	641006M008	001	1822897C1	1807417C95	005	1824978C1	641011E002	003
1820967C2	641011E001	001	1822897C1	1807455C91	002	1824979C1	1825806C91	001
1820967C2	641011E002	001	1823010C1	1821232C92	004	1824979C1	1825806C91	006
1820982C1	641007L008	001	1823278C92	641006L001	001	1824980C1	1825806C91	002
1821013C1	1823278C92	004	1823281C1	641006L001	007	1824980C1	1825806C91	007
1821143C1	1821232C92	001	1823283C1	1830617C91	015	1824981C1	1825806C91	003
1821144C1	1821232C92	003	1823311C1	1823278C92	001	1824981C1	1825806C91	008
1821146C1	1821232C92	009	1823733C2	641007C001	001	1825249C91	641011E001	003
1821232C92	641011E001	001	1823742C1	641008D011	006	1825249C91	641011E002	003
1821232C92	641011E002	001	1823743C2	641006M008	003	1825250C91	1829856C91	001
1821290C1	1821232C92	015	1823790C1	1825622C91	002	1825436C1	641014B001	003
1821642C3	641014B001	005	1823790C1	641011E001	008	1825464C1	641003A004	003
1821648C1	641015A002	025	1823790C1	641011E002	008	1825467C1	641011L016	028
1821962C2	641003C002	003	1823809C1	641009L009	005	1825504C1	1823278C92	002



PART NUMBER INDEX



PART NUMBER	FIGURE	ITEM	PART NUMBER	FIGURE	ITEM	PART NUMBER	FIGURE	ITEM
1825511C1	641011L016	023	1827743C3	1827195C93	001	1830621C1	641004B019	001
1825520C91	641011L016	018	1827792C1	1827689C91	001	1830621C2	641004B019	001
1825521C93	641011L016	019	1827803C1	1807455C91	006	1830622C92	641013C002	001
1825540C1	1830346C92	006	1827853C1	1827689C91	005	1830623C1	1830622C92	004
1825540C1	1830346C93	006	1828026C1	1827689C91	006	1830624C1	641008D011	002
1825542C1	1825622C91	001	1829801C91	641011L016	020	1830669C91	641009B003	001
1825563C91	1825622C91	002	1829802C1	641011E001	002	1830706C1	641006A005	001
1825563C91	641011E001	008	1829802C1	641011E002	004	1830711C1	1830345C92	004
1825563C91	641011E002	008	1829825C91	641008A008	006	1830711C1	1830345C93	004
1825576C1	1825622C91	003	1829832C1	641011L016	020	1830712C1	1830345C92	002
1825610C1	1823278C92	003	1829856C91	641011E001	003	1830712C1	1830345C93	002
1825626C1	641004B019	005	1829856C91	641011E002	002	1830713C1	1830345C92	003
1825632C91	641015A002	002	1829995C92	641009C009	006	1830713C1	1830345C93	003
1825636C1	1825632C91	003	1830033C1	641020B002	001	1830741C93	641011C052	001
1825638C91	1825632C91	004	1830050C1	641011C052	002	1830974C1	641009C009	007
1825661C93	641011L016	001	1830051C1	641011C052	003	1831251C1	1807417C95	011
1825667C1	641015D001	011	1830060C1	641004B019	002	1831415C92	1807417C95	006
1825669C1	641015D001	006	1830149C1	641004A002	006	1833031C1	1830669C91	001
1825681C94	641011E001	001	1830152C1	641004A002	002	1833121C1	641013B002	001
1825685C1	641011E001	006	1830153C91	641004A002	001	1833234C1	1833386C1	001
1825685C1	641011E002	003	1830172C1	1823351C93	002	1833235C1	1833386C1	003
1825806C91	641011E001	003	1830172C1	641005M001	004	1833344C1	1833386C1	002
1825806C91	641011E002	003	1830177C91	641011E002	001	1833382C1	1830345C93	010
1826335C91	641006B008	002	1830256C91	641005B001	001	1833386C1	641006B008	004
1826342C1	1830617C91	005	1830269C1	641007A003	009	1834335C1	1833386C1	004
1826345C1	1825806C91	005	1830279C1	1830617C91	001	1834357C1	1830741C93	007
1826345C1	1825806C91	010	1830284C1	1817867C92	003	1834357C1	1830742C92	004
1826471C1	1830346C92	003	1830310C2	1830345C92	006	1834491C1	641006L001	004
1826471C1	1830346C93	003	1830310C2	1830345C93	006	1835315C1	1834491C1	003
1826587C1	641006L001	002	1830311C2	1830345C92	007	1835353C1	1834491C1	002
1827078C1	1830617C91	012	1830311C2	1830345C93	007	1835385C1	641006L001	003
1827113C1	1830345C92	001	1830317C1	1830741C93	002	19841R1	1823944C92	002
1827113C2	1830345C93	001	1830317C1	1830742C92	006	2002176C1	641009A003	005
1827121C2	1830345C92	008	1830327C1	641008A008	002	2003460C1	641009A003	003
1827121C2	1830345C93	008	1830345C92	1830346C92	001	2003467C1	641005P001	001
1827160C2	1807417C95	009	1830345C93	1830346C93	001	218211	1830613C91	002
1827168C1	1830592C91	001	1830346C92	641008A008	001	23623R1	1830345C92	012
1827174C1	1820855C92	003	1830346C93	641008A008	001	23623R1	1830345C93	012
1827193C1	1827195C93	002	1830360C1	1830617C91	002	23623R1	1830617C91	013
1827195C93	1830593C92	004	1830366C91	641013A004	002	24868R1	641009M002	006
1827220C1	1830187C91	001	1830367C1	641013A004	002	25296R1	641009M002	003
1827220C1	641017L002	003	1830368C1	641013A004	002	253660R2	641015D001	010
1827224C1	1830188C91	001	1830487C1	641006A005	007	25526R1	641009M002	004
1827296C1	1830345C92	010	1830505C1	641007A003	008	26273R1	641009M002	005
1827316C1	1830593C92	003	1830506C1	641007A003	006	2644000R1	1807417C95	001
1827395C92	641013A003	001	1830531C1	641009C009	004	2644038R1	1807417C95	002
1827397C91	641013A003	002	1830535C91	641009M002	001	265204R1	641011L016	018
1827398C1	641013A003	002	1830562C2	1830741C93	001	265204R1	641011L016	019
1827399C1	641013A003	002	1830592C91	1830593C92	001	265204R1	641011L016	020
1827400C1	641013A003	003	1830593C92	641008C003	001	265205R1	641011L016	018
1827400C1	641013A004	003	1830595C1	641004B019	006	265205R1	641011L016	019
1827435C1	1830593C92	002	1830597C91	641007A003	001	265205R1	641011L016	020
1827476C91	641013A004	001	1830613C91	641003A004	001	265205R1	641015D001	004
1827515C1	1829825C91	005	1830616C1	1830617C91	011	27551R1	1830617C91	004
1827684C1	1827689C91	004	1830617C91	641006A005	001	27902R1	641006M008	006



PART NUMBER INDEX



PART NUMBER	FIGURE	ITEM	PART NUMBER	FIGURE	ITEM	PART NUMBER	FIGURE	ITEM
30029R1	1822050C91	004	691044C1	641007B003	003			
30175R1	641009C009	005	691273C1	641011L016	022			
30360R1	641009A003	009	691846C1	641006M008	002			
31083R1	641009L009	003	893944R92	641015L001	001			
31084R1	641016L001	004	9409949	1830346C92	012			
326541R1	1802870C1	001	9409949	1830346C93	012			
327412R1	1830592C91	002	9410976	1825622C91	002			
347822R1	1830345C92	014	9410976	641011E001	008			
347822R1	1830345C93	014	9410976	641011E002	008			
397630C1	641011L016	025						
40005R1	1830617C91	014						
40049R1	641009A003	002						
40050R1	641005A001	005						
40050R1	641006B008	011						
40050R1	641006M008	007						
40050R1	641009C009	002						
40050R1	641009L009	007						
40055R1	641003D002	004						
40086R1	1807417C95	010						
40090R1	1827689C91	002						
406381C1	641009A003	004						
444612	1830346C92	010						
444612	1830346C93	010						
444612	641008D011	007						
444612	641009B003	006						
444612	641016L001	006						
444613	641009B003	006						
444613	641016L001	006						
444618	1830617C91	006						
444618	1830622C92	008						
444699	1829825C91	002						
445751	1830346C92	011						
445751	1830346C93	011						
445751	641009B003	005						
445751	641016L001	005						
446839C1	641006B008	012						
454319R1	1830593C92	005						
55163R1	1833386C1	005						
606819C1	1830622C92	006						
675020C2	1830617C91	009						
675021C2	1830617C91	010						
675364C1	1830597C91	004						
675364C1	641007A003	005						
675412C1	641007B003	004						
675424C1	1830617C91	007						
675425C1	1830617C91	008						
675861C2	1820855C91	002						
675861C2	1820855C91	003						
677349C1	1830346C92	007						
677349C1	1830346C93	007						
682444C1	641006A005	006						
684902C1	1830617C91	003						
686702C1	641010L005	004						
687024C1	641007B003	002						
690835C1	641006M008	004						



FIGURE TITLE INDEX



TITLE

AIR COMPRESSOR COVER
 ALTERNATOR - DELCO 22SI 24V70A
 ALTERNATOR BRACKET - 21SI (HEUI)
 ARM ASM ROCKER
 AUTO TENSIONER
 CAMSHAFT (I-308)
 CAMSHAFT ASSY
 CONNECTING ROD (I-308)
 COOLANT FILTER - FULL SYSTEM RECHARGE
 COOLER ASS'Y,OIL
 CRANKCASE (I-308)
 CRANKCASE ASSY *EMD 2283
 CRANKSHAFT 466
 CRANKSHAFT ASSY,*EMD-2282
 CYLINDER HEAD (I-308/466)
 DAMPER ASM, VIBRATION
 DAMPER, ASSEMBLY
 ELECTRICAL CONTROLS ASM, W/FRT MTD CEC - 24V
 ELECTRICAL WIRING ASM, FRT MTD CEC W/EOP
 ELECTRONIC SENSORS - FOR CEC W/EOP
 EXHAUST MANIFOLD - DOWN MOUNT TURBOCHARGER
 FAN DRIVE - 15.1", 1.2:1 BOLT ON W/O FC
 FLYWHEEL HOUSING - SAE #3
 FLYWHEEL, CLARK 28000 & 32000 - SAE #3
 FRONT COVER, SAE B FLANGE
 FRONT ENG MOUNTS - OEM
 FUEL FILTER AND PIPING - RACOR
 FUEL INJECTOR
 GEAR ASM, CAMSHAFT
 GEAR ASM, IDLER LOWER
 GEAR ASM, IDLER UPPER
 HARNESS ASM WIRING 03601A
 HARNESS ASM, ENG
 HARNESS ASM, ENGINE
 HEAD ASM, CYL EMD 2272
 HEAD ASM, CYL. EMD 2272
 HEAD ASM, CYL.* EMD 2272
 HEAD ASS'Y,CYL.* EMD 2272
 HEADER ASS'Y,COOLANT FIL
 HOUSING ASM, FAN
 HYDRAULIC FUEL SYSTEM COMPS
 HYDRAULIC FUEL SYSTEM COMPS
 IDLER GEARS
 INJECTOR, ASM W/SEALS
 LIFTING EYE
 MANIFOLD ASM, OIL & FUEL
 OIL COOLER AND CONNECTIONS
 OIL FILTER - EXC I308
 OIL FILTER - FOR I308
 OIL LEVEL GAUGE - REAR SUMP
 OIL PAN - REAR SUMP
 OIL PAN ASM
 OIL PUMP (I-308, 466)

FIGURE

641016L001
 641009M002
 641009L009
 1827195C93
 641020B002
 641003A004
 1830613C91
 641004A002
 641005M001
 1830622C92
 641006A005
 1830617C91
 641007A003
 1830597C91
 641008A008
 1820855C91
 1820855C92
 641009C009
 641009A003
 641009B003
 641014B001
 641005L026
 641010L005
 641007L008
 641006B008
 641010M003
 641011L016
 641011C052
 1823944C92
 1822101C95
 1822102C95
 1807455C91
 1807285C92
 1807417C95
 1830345C93
 1830345C92
 1830346C92
 1830346C93
 1827689C91
 1822050C91
 641011E001
 641011E002
 641003D002
 1830741C93
 641008F001
 1829825C91
 641013C002
 641013B001
 641013B002
 641006M008
 641006L001
 1823278C92
 641013A004

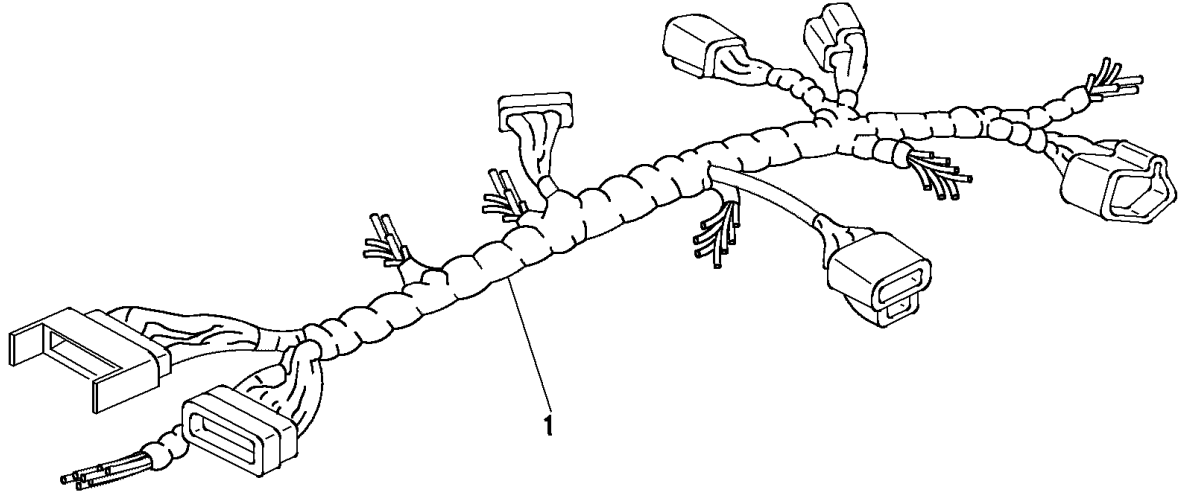
TITLE

OIL PUMP (I-308,530)
 OIL SEAL ASM, REAR
 PACKAGE, BREATHER TUBE
 PACKAGE, BREATHER TUBE
 PACKAGE, COOLANT CONDITIONER
 PACKAGE, HIGH PRESSURE HOSE
 PACKAGE, INJECTOR SEALS
 PACKAGE, IPR SEAL
 PISTON (I-308,466)
 PUMP ASM, FUEL SUPPLY
 REGULATOR ASM, INJECTOR PRESSURE W/SEAL
 ROCKER ARM
 SCREEN,OIL INLET
 SEAL ASM, RADIAL LIP
 SHAFT ASM, BRKT&ROCKER ARM
 SHAFT, ROCKER ARM
 SIDE VENTILATOR TUBE, EXC R.E. BUS
 THERMOSTAT ASM
 TRANSDUCER ASM, CAMP
 TRANSDUCER ASM, ICP
 TRANSDUCER,ICP
 TUBE ASM, BREATHER
 TUBE ASM, OIL PICK-UP
 TUBE ASS'Y, OIL PICK-UP
 TURBOCHARGER
 TURBOCHARGER ASM - NON-WASTEGATED
 TURBOCHARGER EXHAUST CLAMP
 TURBOCHARGER OIL AND AIR PIPING
 TURBOCHARGER, EMD 1766
 VALVE ASM, OIL RELIEF
 VALVE COVER (I-308)
 VALVE TAPPETS
 VIBRATION DAMPER - 2800 RPM RUBBER DAMPER
 WATER INLET ELBOW
 WATER PUMP (466)

FIGURE

641013A003
 641007C001
 1830187C91
 1830188C91
 1823351C93
 1825622C91
 1830742C92
 1825806C91
 641004B019
 1821232C92
 1829856C91
 641008C003
 1802870C1
 1817867C92
 1830593C92
 1830592C91
 641017L002
 641005B001
 1807339C92
 1812818C92
 1830669C91
 1827224C1
 1820225C93
 1834491C1
 641015A002
 1825632C91
 641015L001
 641015D001
 1820945C92
 1833386C1
 641008D011
 641003C002
 641007B003
 641005P001
 641005A001

ITEM	PART NUMBER	QTY	DESCRIPTION
001 002 003	326541R1 1802872C1 1802871C1	0001 0001 0001	<p>FIGURE 1802870C1 (NON-ILLUSTRATED)</p> <p>SCREEN,OIL INLET</p> <p>SCREEN BODY, OIL INLET SCREEN PLATE, CONTROL</p>



HARNES0001 000

ITEM	PART NUMBER	QTY	DESCRIPTION
001	1815924C2 1815924C1 1824908C1 1822897C1	0006 0006 0001 0006	<p>FIGURE 1807285C92</p> <p>HARNES ASM, ENG</p> <p>CONNECTOR, INJECTOR CONNECTOR, INJECTOR RING,O % CLIP,HARNES RETAINER</p>

ITEM	PART NUMBER	QTY	DESCRIPTION
			<p style="text-align: center;">FIGURE 1807339C92 (NON-ILLUSTRATED)</p> <p style="text-align: center;">TRANSDUCER ASM, CAMP</p> <p>001 1824949C1 0001 % TRANSDUCER,CAMP</p> <p>002 1820064C2 0001 % BRACKET, CAMP TRANSDUCER</p> <p>003 1824948C1 0001 RING,BRAZING</p>



ITEM	PART NUMBER	QTY	DESCRIPTION
			FIGURE 1807417C95 (NON-ILLUSTRATED)
			HARNESS ASM, ENGINE
001	2644000R1	0002	% SLEEVE HEAT SHRINK
002	2644038R1	0001	% SLEEVE,CABLE INSULATING
003	1807428C1	0001	% PROD.GRAPH.WARN.LABEL
004	1807322C1	0001	CONNECTOR,IPR
005	1822897C1	0001	% CLIP,HARNESS RETAINER
006	1831415C92	0001	% KNOB,ASSY,CEC HARNESS(95)
007	1807261C1	0001	SEAL, PRESS CONNECTOR
008	1807336C1	0001	CLIP,HARNESS
009	1827160C2	0001	COVER,ENGINE HARNESS
010	40086R1	0001	SCREW,KNOB STD
011	1831251C1	0001	% INSULATOR,FOAM
	1807417C95		NOTE: ASMS BELOW SERVICED BY ABOVE COMPON HARNESS ASSEMBLY,ENGINE



ITEM	PART NUMBER	QTY	DESCRIPTION
			<p>FIGURE 1807455C91 (NON-ILLUSTRATED)</p> <p>HARNESS ASM WIRING 03601A</p>
001	1815924C2	0006	CONNECTOR, INJECTOR
002	1822897C1	0006	% CLIP, HARNESS RETAINER
004	1824908C1	0001	RING, O
006	1827803C1	0006	SUPPORT, UVC HARNESS
	1807455C91		NOTE: ASMS BELOW SERVICED BY ABOVE COMPO HARNESS, INTERNAL WIRING

ITEM	PART NUMBER	QTY	DESCRIPTION
001	1815874C1 1812818C92	0001	<p>FIGURE 1812818C92 (NON-ILLUSTRATED)</p> <p>TRANSDUCER ASM, ICP</p> <p>SEAL,O-RING NOTE: ASMS BELOW SERVICED BY ABOVE COMPON TRANSMITTER ASSY,INJ CONT</p>

ITEM	PART NUMBER	QTY	DESCRIPTION
001 002 003	1817865C1 1817866C1 1830284C1	0001 0001 0001	<p style="text-align: center;">FIGURE 1817867C92 (NON-ILLUSTRATED)</p> <p style="text-align: center;">SEAL ASM, RADIAL LIP</p> <p>% SEAL, RADIAL LIP % SLEEVE, WEAR % SEAL, REAR POSE</p>



ITEM	PART NUMBER	QTY	DESCRIPTION
			FIGURE 1820225C93 (NON-ILLUSTRATED) TUBE ASM, OIL PICK-UP
001	1814737C2	0001	% ELBOW, OIL PICK-UP
002	1820226C1	0001	TUBE, OIL PUMP PICKUP
003	1820227C2	0001	BRACKET,OIL PICKUP TUBE
004	1802870C1	0001	% SCREEN ASSEMBLY, OIL PICK-UP
005	1814737C2	0001	% ELBOW, OIL PICK-UP
006	1820226C1	0001	TUBE, OIL PUMP PICKUP
007	1820227C2	0001	BRACKET,OIL PICKUP TUBE
008	1802870C1	0001	% SCREEN ASSEMBLY, OIL PICK-UP

ITEM	PART NUMBER	QTY	DESCRIPTION
			<p style="text-align: center;">FIGURE 1820855C91 (NON-ILLUSTRATED)</p> <p style="text-align: center;">DAMPER ASM, VIBRATION</p>
001	1820856C1	0001	DAMPER,CRKSHFT VIBRATION
002	675861C2	0001	% SLEEVE,WEAR
003	675861C2	0001	% SLEEVE,WEAR

ITEM	PART NUMBER	QTY	DESCRIPTION
001 003	1820856C2 1827174C1 1820855C92	0001 0001	<p>FIGURE 1820855C92 (NON-ILLUSTRATED)</p> <p>DAMPER, ASSEMBLY</p> <p>% DAMPER,VIBRATION EMD-1701</p> <p>% SLEEVE,WEAR</p> <p>NOTE: ASMS BELOW SERVICED BY ABOVE COMPON DAMPER ASSEMBLY</p>

ITEM	PART NUMBER	QTY	DESCRIPTION
			FIGURE 1820945C92 (NON-ILLUSTRATED) TURBOCHARGER, EMD 1766
001	1824718C91	0001	HOUSING ASSY & NOISE RING
002	1822268C1	0003	CLAMP,CHOKE CABLE OR THROTTLE
003	1822287C1	0001	% HOUSING, TURBINE
004	1822291C92	0001	HOUSING, CTR ROTATING ASSY
005	1822290C1	0001	% ROTOR,TURBOCHARGER
006	1822277C1	0001	% SHROUD, WHEEL
007	1822275C1	0002	% BEARING, JOURNAL
008	1822292C1	0001	% BEARING,THRUST
009	1823814C1	0001	% PLATE,BACK UP
010	1822276C1	0001	% SPACER, BEARING
011	1822267C1	0014	BOLT,U SPECIAL
012	1822266C1	0001	% HOUSING, CENTER
013	1822280C1	0001	RING,O
014	1823813C1	0001	% COLLAR,THRUST
015	1822278C1	0001	% SEAL, RING
016	1823812C1	0001	% RING,PISTON
017	1823810C1	0001	% IMPELLER, WHEEL COMP ASS'Y
018	1823815C2	0001	% RING,PISTON



ITEM	PART NUMBER	QTY	DESCRIPTION
			FIGURE 1821232C92 (NON-ILLUSTRATED) PUMP ASM, FUEL SUPPLY
001	1821143C1	0001	TAPPET, SLIDING
002	1812691C1	0001	RING,O
003	1821144C1	0001	ROLLER TAPPET, SHELL
004	1823010C1	0001	RING,O
005	1819005C1	0001	PLUNGER, PUMP
006	1813824C1	0001	RING,O
007	1813818C1	0001	VALVE,STARTING FUEL
008	1813820C1	0002	PLATE,AIR CLEANER MTG SUPT
009	1821146C1	0001	SPRING, COMPRESSION
010			PART NO. N/A AT TIME OF PUBLICATION
011			PART NO. N/A AT TIME OF PUBLICATION
012	1818841C1	0002	SLEEVE,INJ PUMP
013	1813822C1	0001	PLUG,INJ PUMP
014	1813823C1	0001	RING,O
015	1821290C1	0001	HOUSING, PUMP
016	1813821C1	0001	BUSHING,ACCEL PEDAL
	1822998C1	0001	THE FOLLOWING ARE NON-ILLUSTRATED PARTS RING,O
	1821232C92		NOTE: ASMS BELOW SERVICED BY ABOVE COMPON PUMP,LOW PRESSURE FUEL SUPPLY

ITEM	PART NUMBER	QTY	DESCRIPTION
			FIGURE 1822050C91 (NON-ILLUSTRATED) HOUSING ASM, FAN
001	1822006C1	0001	% HUB, FAN & PULLEY MTG.
002	1822145C1	0001	% HOUSING, FAN BEARING
003	1822043C1	0001	BEARING, FAN
004	30029R1	0001	BOLT, M10 X 70 PHC CLASS 10.9
005	1822045C1	0001	% RETAINER, FAN BRG

ITEM	PART NUMBER	QTY	DESCRIPTION
			<p style="text-align: center;">FIGURE 1822101C95 (NON-ILLUSTRATED)</p> <p style="text-align: center;">GEAR ASM, IDLER LOWER</p>
001	1824636C1	0001	%
002	1820204C92	0001	GEAR, IDLER LOWER (HEUI)
003	1820294C1	0001	GEAR ASSY, LOWER IDLER
004	1820301C1	0001	SHAFT, IDLER LOWER
			NUT, LOWER IDLER SHAFT

ITEM	PART NUMBER	QTY	DESCRIPTION
001 002 003 004	1824635C1 1820203C93 1820277C1 1820278C1	0001 0001 0001 0001	<p style="text-align: center;">FIGURE 1822102C95 (NON-ILLUSTRATED)</p> <p style="text-align: center;">GEAR ASM, IDLER UPPER</p> <p>% GEAR, IDLER UPPER (HEUI) GEAR ASSY, UPPER IDLER SHAFT, IDLER UPPER NUT, UPPER IDLER SHAFT</p>

ITEM	PART NUMBER	QTY	DESCRIPTION
			FIGURE 1823278C92 (NON-ILLUSTRATED)
			OIL PAN ASM
001	1823311C1	0001	% PAN SUB-ASSY., OIL (24 QT)
002	1825504C1	0001	PLUG, FLANGED HEX HEAD
003	1825610C1	0001	SEAL, O-RING
004	1821013C1	0001	% BLOCK, TAPPING-DRAIN PLUG
	1823278C92		NOTE: ASMS BELOW SERVICED BY ABOVE COMPO PAN, OIL ASSEMBLY

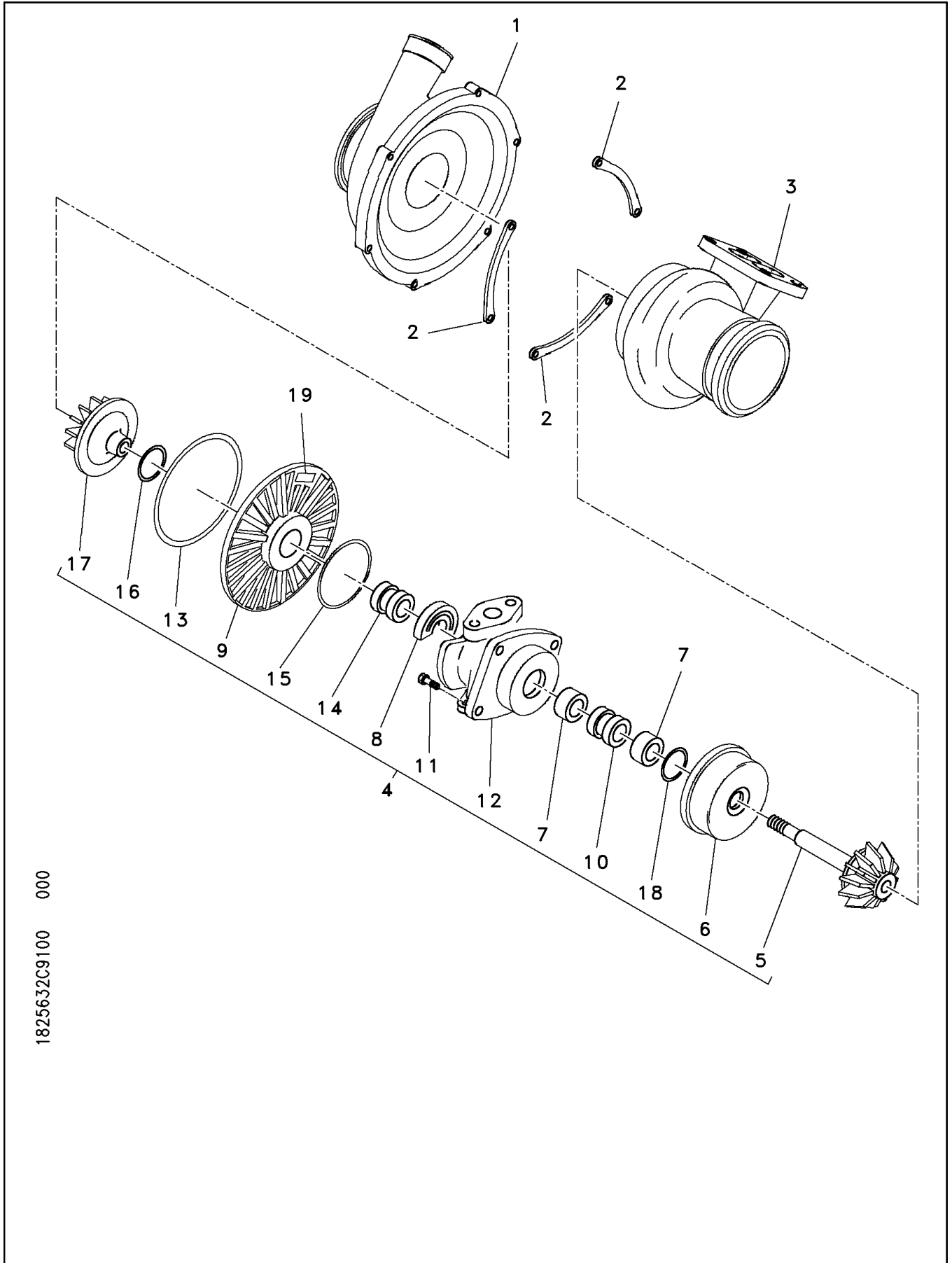


ITEM	PART NUMBER	QTY	DESCRIPTION
001 002 003 004	1820381C93 1830172C1 1820353C1 1171677R2	0001 0001 0001 0001	FIGURE 1823351C93 (NON-ILLUSTRATED) PACKAGE, COOLANT CONDITIONER HEADER ASSY, COOLANT FILTER SEAL,RING RING, FILTER O INSTRUCTION SHEET
	1823351C93		NOTE: ASMS BELOW SERVICED BY ABOVE COMPON PACKAGE,COOLANT CONDITIONER

ITEM	PART NUMBER	QTY	DESCRIPTION
001 002	1821997C3 19841R1	0001 0002	<p>FIGURE 1823944C92 (NON-ILLUSTRATED)</p> <p>GEAR ASM, CAMSHAFT</p> <p>GEAR, CAMSHAFT PIN, 1/4 X .500 PLN HDN DOWEL</p>



ITEM	PART NUMBER	QTY	DESCRIPTION
			FIGURE 1825622C91 (NON-ILLUSTRATED)
			PACKAGE, HIGH PRESSURE HOSE
001	1825542C1	0001	FITTING,3-WAY MANIFOLD OIL
002	1825563C91	0001	ELBOW ASSY.,37-DEG O-RING BOSS
	9410976	0001	ELBOW,PIPE GIVE SIZE
	1823790C1	0001	RING,O
003	1825576C1	0001	HOSE ASSY,HIGH PRESS
004	1814546C1	0001	% RING,BACKUP-SUPPLY RAIL
005	1815873C1	0001	% SEAL,O-RING
007	1815874C1	0001	SEAL,O-RING
008	1171695R1	0001	INSTRUCTION SHEET
	1825622C91		NOTE: ASMS BELOW SERVICED BY ABOVE COMPON PACKAGE,HOSE HIGH PRESSURE



1825632C9100 000



ITEM	PART NUMBER	QTY	DESCRIPTION
			FIGURE 1825632C91 TURBOCHARGER ASM - NON-WASTEGATED
001	1822282C2	0001	% HOUSING, COMPRESSOR
002	1822268C1	0003	CLAMP,CHOKE CABLE OR THROTTLE
003	1825636C1	0001	% HOUSING,TURBOCHARGER TURBINE
004	1825638C91	0001	HOUSING,CNTR & ROTATOR ASSY
019	1822269C1	0001	NAMEPLATE
	1825632C91		NOTE: ASMS BELOW SERVICED BY ABOVE COMPON SUPERCHARGER,ASSY



ITEM	PART NUMBER	QTY	DESCRIPTION
			FIGURE 1825806C91 (NON-ILLUSTRATED)
			PACKAGE, IPR SEAL
001	1824979C1	0001	SEAL,O-RING
002	1824980C1	0001	SEAL,O-RING
003	1824981C1	0001	SEAL,BACK-UP RING
004	1824978C1	0001	NUT,(IPR)
005	1826345C1	0001	% SPACER
006	1824979C1	0001	SEAL,O-RING
007	1824980C1	0001	SEAL,O-RING
008	1824981C1	0001	SEAL,BACK-UP RING
009	1824978C1	0001	NUT,(IPR)
010	1826345C1	0001	% SPACER

ITEM	PART NUMBER	QTY	DESCRIPTION
001	1820912C1	0001	<p>FIGURE 1827224C1 (NON-ILLUSTRATED)</p> <p>TUBE ASM, BREATHER</p> <p>BRACKET, BREATHER TUBE - LOWER</p>



ITEM	PART NUMBER	QTY	DESCRIPTION
			FIGURE 1827689C91 (NON-ILLUSTRATED) HEADER ASS'Y,COOLANT FIL
001	1827792C1	0001	% HEADER ASSY.,FILTER RETAINER
002	40090R1	0001	% PLUG,CUP S.S.
003	1810561C2	0002	% SLEEVE,COOLANT VALVE
004	1827684C1	0001	% VALVE FILTER SHUT-OFF
005	1827853C1	0001	% RING,O
006	1828026C1	0001	% PIN,SLOTTED SPRING



ITEM	PART NUMBER	QTY	DESCRIPTION
			<p>FIGURE 1829825C91 (NON-ILLUSTRATED)</p> <p>MANIFOLD ASM, OIL & FUEL</p>
002	444699	0001	PLUG, 3/8-18 PLN HEX/SKT AUTO
003	1815873C1	0002	% SEAL,O-RING
004	1814546C1	0002	% RING,BACKUP-SUPPLY RAIL
005	1827515C1	0002	% PLUG,OIL RAIL END
	1829825C91		NOTE: ASMS BELOW SERVICED BY ABOVE COMPON MANIFOLD ASSY.,OIL & FUEL



ITEM	PART NUMBER	QTY	DESCRIPTION
001	1825250C91	0001	FIGURE 1829856C91 (NON-ILLUSTRATED)
002	1807263C1	0001	REGULATOR ASM, INJECTOR PRESSURE W/SEAL
	1829856C91		REGULATOR, INJ. PRESS SEAL, PRESSOR SENSOR NOTE: ASMS BELOW SERVICED BY ABOVE COMPON REGULATOR, INJ. O.P. CONTROL

ITEM	PART NUMBER	QTY	DESCRIPTION
001 002 003	1827220C1 1822135C1 1171722R1 1830187C91	0001 0001 0001	<p style="text-align: center;">FIGURE 1830187C91 (NON-ILLUSTRATED)</p> <p>PACKAGE, BREATHER TUBE</p> <p>% TUBE ASSEMBLY, BREATHER RING, VENT TUBE "O" INSTRUCTIONS NOTE: ASMS BELOW SERVICED BY ABOVE COMPON PACKAGE, BREATHER TUBE</p>

ITEM	PART NUMBER	QTY	DESCRIPTION
001 002 003	1827224C1 1822135C1 1171722R1 1830188C91	0001 0001 0001	<p style="text-align: center;">FIGURE 1830188C91 (NON-ILLUSTRATED)</p> <p>PACKAGE, BREATHER TUBE</p> <p>% TUBE ASSEMBLY, BREATHER RING, VENT TUBE "O" INSTRUCTIONS NOTE: ASMS BELOW SERVICED BY ABOVE COMPON PACKAGE, BREATHER TUBE</p>

ITEM	PART NUMBER	QTY	DESCRIPTION
			<p>FIGURE 1830345C92 (NON-ILLUSTRATED) HEAD ASM, CYL. EMD 2272</p>
001	1827113C1	0001	HEAD,CYL
002	1830712C1	AR	INSERT,EXH
003	1830713C1	AR	INSERT,EXH
004	1830711C1	0006	INSERT,EXH
006	1830310C2	0006	INSERT,INT SEAT
007	1830311C2	0001	INSERT,INT SEAT
008	1827121C2	0006	INSERT,EXH
010	1827296C1	0006	SLEEVE,INJECTOR
011	1820213C1	0012	GUIDE,VALVE TAPPET
012	23623R1	0014	PLUG, 1-1/4 CUP
013	1824647C1	0012	GUIDE,VALVE (SERVICE)
014	347822R1	0001	PLUG, 5/8 CUP



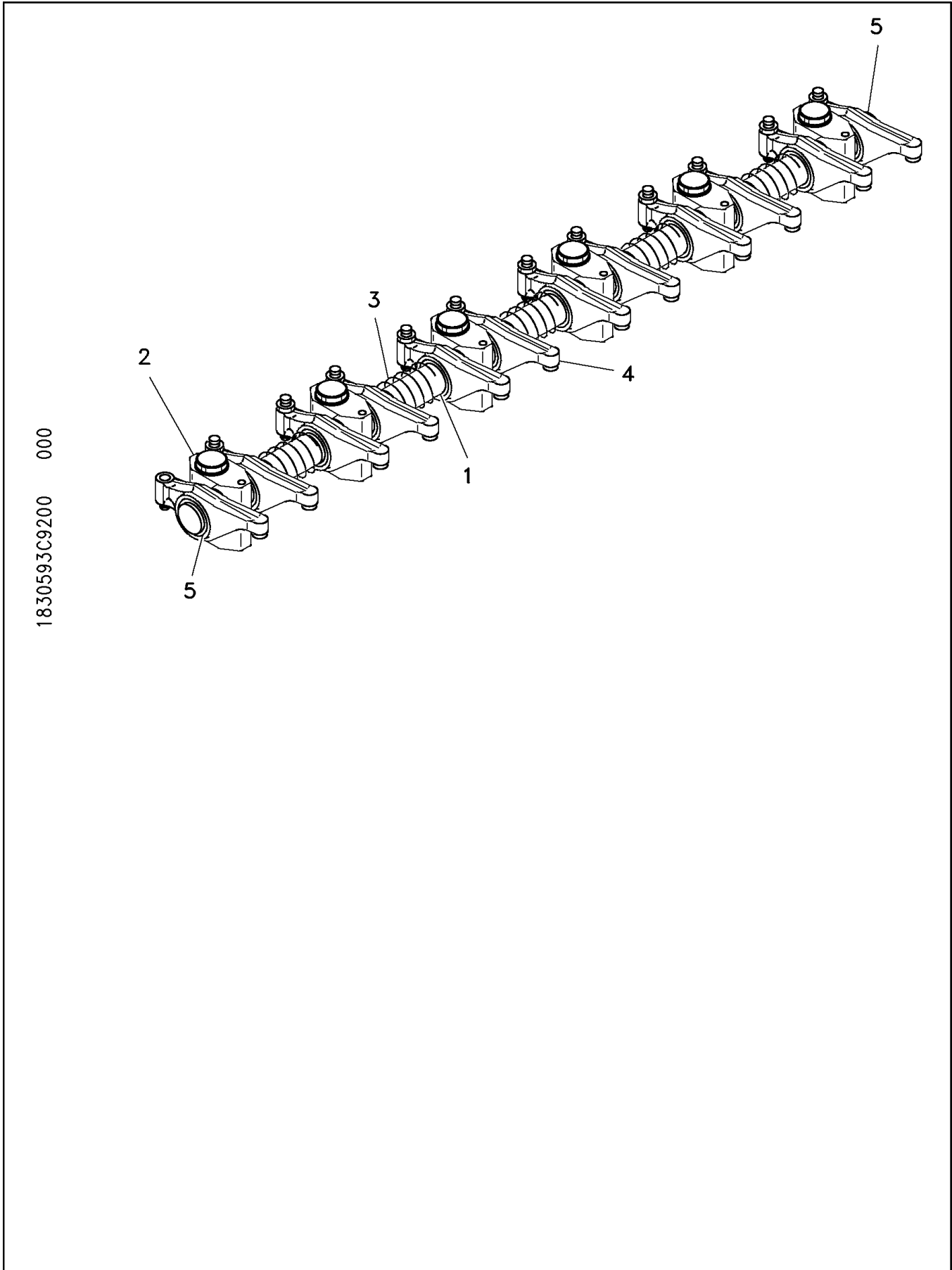
ITEM	PART NUMBER	QTY	DESCRIPTION
			FIGURE 1830345C93 (NON-ILLUSTRATED)
			HEAD ASM, CYL EMD 2272
001	1827113C2	0001	% HEAD,CYLINDER
002	1830712C1	AR	INSERT,EXH
003	1830713C1	AR	INSERT,EXH
004	1830711C1	0006	INSERT,EXH
006	1830310C2	0006	INSERT,INT SEAT
007	1830311C2	0001	INSERT,INT SEAT
008	1827121C2	0006	INSERT,EXH
010	1833382C1	0006	SLEEVE,INJECTOR
011	1820213C1	0012	GUIDE,VALVE TAPPET
012	23623R1	0014	PLUG, 1-1/4 CUP
013	1824647C1	0012	GUIDE,VALVE (SERVICE)
014	347822R1	0001	PLUG, 5/8 CUP
			NOTE: ASMS BELOW SERVICED BY ABOVE COMPON
	1830345C93		% HEAD ASSY.,CYLINDER

ITEM	PART NUMBER	QTY	DESCRIPTION
			FIGURE 1830346C92 (NON-ILLUSTRATED) HEAD ASM, CYL.* EMD 2272
001	1830345C92	0001	HEAD ASSY CYL
003	1826471C1	0006	VALVE,INTAKE
004	1824840C1	0006	VALVE,EXHAUST
005	1824644C1	0024	KEY,MANIF HEAT CONT LEVER
006	1825540C1	0006	SPRING,VALVE EXHAUST
007	677349C1	0006	SPRING,FUEL PUMP DIAPH ALSO SE
008	1823925C1	0012	SEAL,VALVE STEM ASSY.
009	1824680C1	0012	ROTATOR,VALVE
010	444612	0001	PLUG, 1/8-27 PLN H/HD AUTO PIP
011	445751	0003	PLUG, 1/2-14 PLN SQ/SKT AUTO P
012	9409949	0001	PLUG,PIPE 3/4 NPT
	1830346C92		NOTE: ASMS BELOW SERVICED BY ABOVE COMPON HEAD ASSY, CYL



ITEM	PART NUMBER	QTY	DESCRIPTION
			FIGURE 1830346C93 (NON-ILLUSTRATED) HEAD ASS'Y,CYL.* EMD 2272
001	1830345C93	0001	% HEAD ASSY.,CYLINDER
003	1826471C1	0006	VALVE,INTAKE
004	1824840C1	0006	VALVE,EXHAUST
005	1824644C1	0024	KEY,MANIF HEAT CONT LEVER
006	1825540C1	0006	SPRING,VALVE EXHAUST
007	677349C1	0006	SPRING,FUEL PUMP DIAPH ALSO SE
008	1823925C1	0012	SEAL,VALVE STEM ASSY.
009	1824680C1	0012	ROTATOR,VALVE
010	444612	0001	PLUG, 1/8-27 PLN H/HD AUTO PIP
011	445751	0003	PLUG, 1/2-14 PLN SQ/SKT AUTO P
012	9409949	0001	PLUG,PIPE 3/4 NPT
	1830346C93		NOTE: ASMS BELOW SERVICED BY ABOVE COMPON HEAD ASSY.,CYLINDER

ITEM	PART NUMBER	QTY	DESCRIPTION
001 002	1827168C1 327412R1	0001 0002	<p style="text-align: center;">FIGURE 1830592C91 (NON-ILLUSTRATED)</p> <p style="text-align: center;">SHAFT, ROCKER ARM</p> <p>% SHAFT,ROCKER ARM PLUG, 13/16 CUP</p>



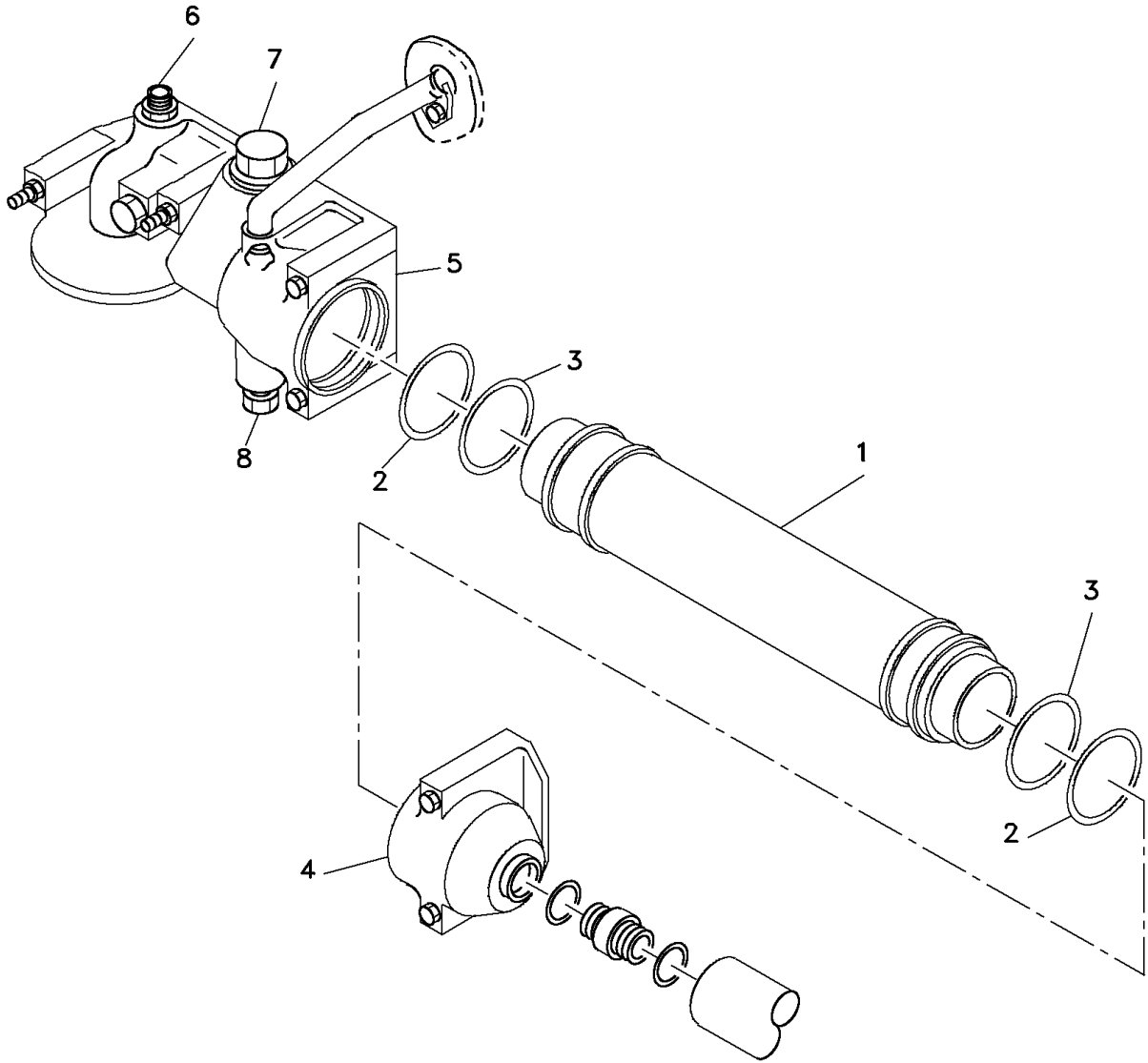


ITEM	PART NUMBER	QTY	DESCRIPTION
001 002 003 004 005	1830592C91 1827435C1 1827316C1 1827195C93 454319R1	0001 0006 0005 0012 0002	FIGURE 1830593C92 SHAFT ASM, BRKT&ROCKER ARM % SHAFT ASSY, ROCKER ARM BRACKET,ROCKET SHAFT SPRING,ROCKER SHAFT AMR,ROCKER RING, SNAP 1.041 EXT RET NOTE: ASMS BELOW SERVICED BY ABOVE COMPON SHAFT ASSY.,BRKT & ROCKER ARM
	1830593C92		

ITEM	PART NUMBER	QTY	DESCRIPTION
002 003 004	17135R1 1820299C1 675364C1	0001 0001 0001	<p>FIGURE 1830597C91 (NON-ILLUSTRATED) CRANKSHAFT ASSY,*EMD-2282</p> <p>PIN, 5/32 X 5/16 PLN SLT-SPR GEAR,CRANKSHAFT GEAR,IDLER TIMING</p>

ITEM	PART NUMBER	QTY	DESCRIPTION
001 002 003 004	1824747C1 218211 1817545C1 1823944C92	0001 0001 0001 0001	<p style="text-align: center;">FIGURE 1830613C91 (NON-ILLUSTRATED)</p> <p style="text-align: center;">CAMSHAFT ASSY</p> <p>% CAMSHAFT,MACHINING KEY, 1/4 X 3/4 SAE 91 WOODRUFF PLATE,CAMSHAFT THRUST FLANGE GEAR ASSY,CAMSHAFT</p>

ITEM	PART NUMBER	QTY	DESCRIPTION
			FIGURE 1830617C91 (NON-ILLUSTRATED) CRANKCASE ASSY *EMD 2283
001	1830279C1	0001	% CRANKCASE
002	1830360C1	0012	TUBE,OIL JET
003	684902C1	0002	BUSHING,PISTON PIN
004	27551R1	AR	PLUG,CUP 7/8 (FOR SALVGE)
005	1826342C1	0007	PLUG,PIPE 1/8 NPTF
006	444618	0001	PLUG, 1/4-18 PLN H/HD AUTO PIP
007	675424C1	0001	BEARING, CAM FRONT
008	675425C1	0001	BEARING, CAM REAR
009	675020C2	0001	% BEARING
010	675021C2	0001	% BEARING
011	1830616C1	0007	% CAP,MAIN BEARING
012	1827078C1	0014	BOLT,BEARING CAP
013	23623R1	0003	PLUG, 1-1/4 CUP
014	40005R1	0001	PLUG,INJ PUMP
015	1823283C1	0001	BOLT, M10 X 1.5 X 16HF



1817980C9300 000



ITEM	PART NUMBER	QTY	DESCRIPTION
			<p>FIGURE 1830622C92</p> <p>COOLER ASS'Y,OIL</p>
001	1815904C2	0001	COOLER,OIL
002	1824736C1	0002	RING, O-SEAL
003	1824735C1	0002	RING, O SEAL
004	1830623C1	0001	HEADER,OIL COOLER FRONT
005	1817574C1	0001	HEADER, OIL COOLER FLTR
006	606819C1	0001	CONNECTOR,FLEX TUBE
007	1819418C2	0001	VALVE, TEMP/PRESSURE
	1818400C1	0001	RING, 1.484 ID "O"
008	444618	0002	PLUG, 1/4-18 PLN H/HD AUTO PIP
	1819496C1	0001	THE FOLLOWING ARE NON-ILLUSTRATED PARTS ADAPTER, FILTER ELEMENT
	1830622C92		NOTE: ASMS BELOW SERVICED BY ABOVE COMPON COOLER,ASM OIL

ITEM	PART NUMBER	QTY	DESCRIPTION
001 002	1833031C1 1815874C1	0001 0001	<p style="text-align: center;">FIGURE 1830669C91 (NON-ILLUSTRATED)</p> <p style="text-align: center;">TRANSDUCER,ICP</p> <p>% TRANSDUCER SEAL,O-RING</p>



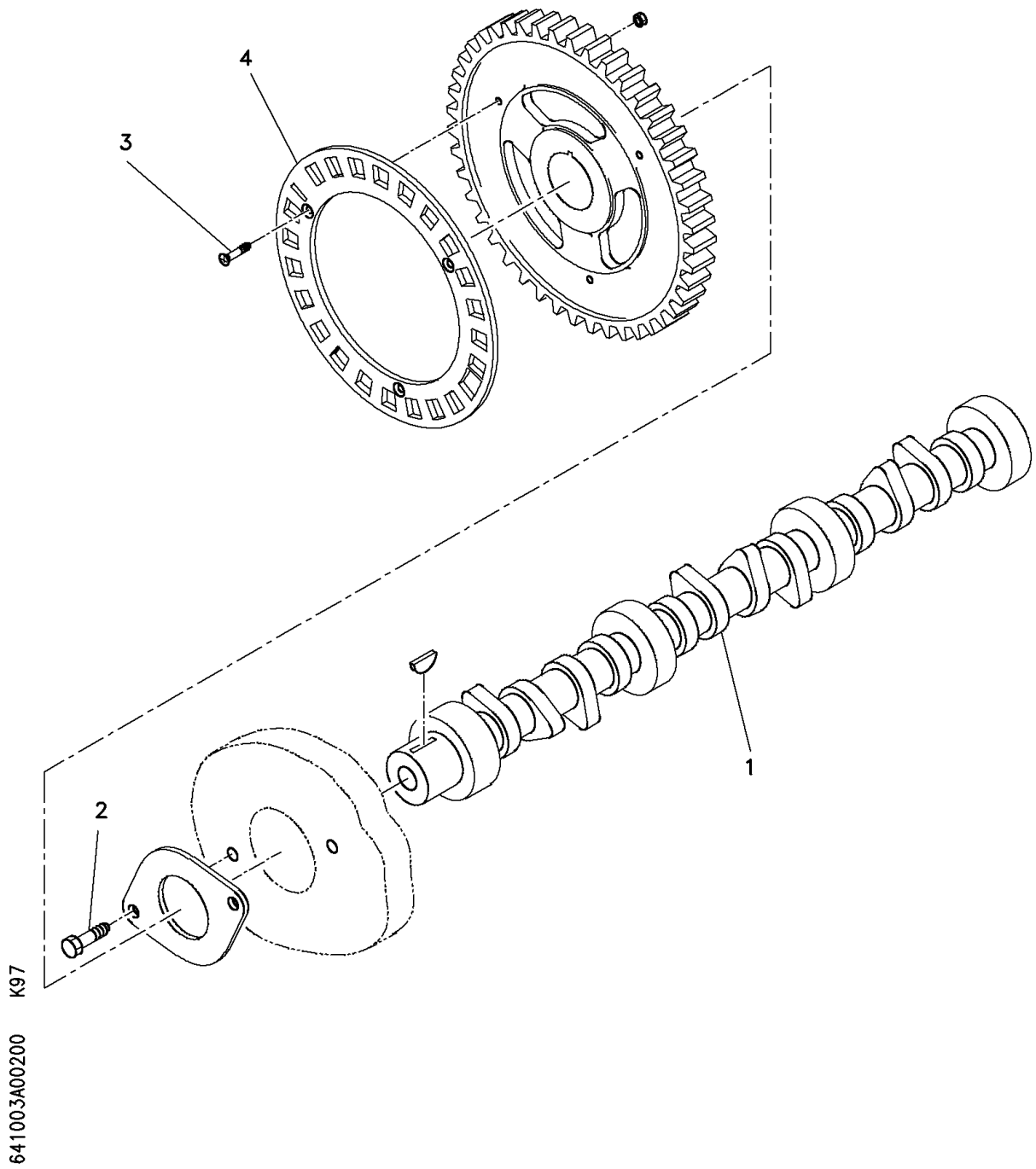
ITEM	PART NUMBER	QTY	DESCRIPTION
			FIGURE 1830741C93 (NON-ILLUSTRATED) INJECTOR, ASM W/SEALS
001	1830562C2	0001	% INJECTOR,ASSY EMD-1439
002	1830317C1	0001	% GASKET,INJECTOR
003	1822838C1	0001	PLUG, CAP INJECTOR TIP
004	1817073C2	0001	% RING, UPPER BACKUP
005	1817074C1	0001	% RING, CUSHION
006	1816000C1	0001	% SEAL,INJ PMP UP
007	1834357C1	0001	% SEAL,MIDDLE INJECTOR
008	1814695C1	0001	% SEAL, INJ. LOW
	1830742C92	KT	PACKAGE, INJECTOR SEALS
	1830741C93		NOTE: ASMS BELOW SERVICED BY ABOVE COMPON INJECTOR, ASM W/SEALS



ITEM	PART NUMBER	QTY	DESCRIPTION
			<p>FIGURE 1830742C92 (NON-ILLUSTRATED)</p> <p>PACKAGE, INJECTOR SEALS</p>
001	1817073C2	0001	% RING, UPPER BACKUP
002	1817074C1	0001	% RING, CUSHION
003	1816000C1	0001	% SEAL, INJ PMP UP
004	1834357C1	0001	% SEAL, MIDDLE INJECTOR
005	1814695C1	0001	% SEAL, INJ. LOW
006	1830317C1	0001	% GASKET, INJECTOR
	1830742C92		NOTE: ASMS BELOW SERVICED BY ABOVE COMPON PACKAGE, INJECTOR SEALS

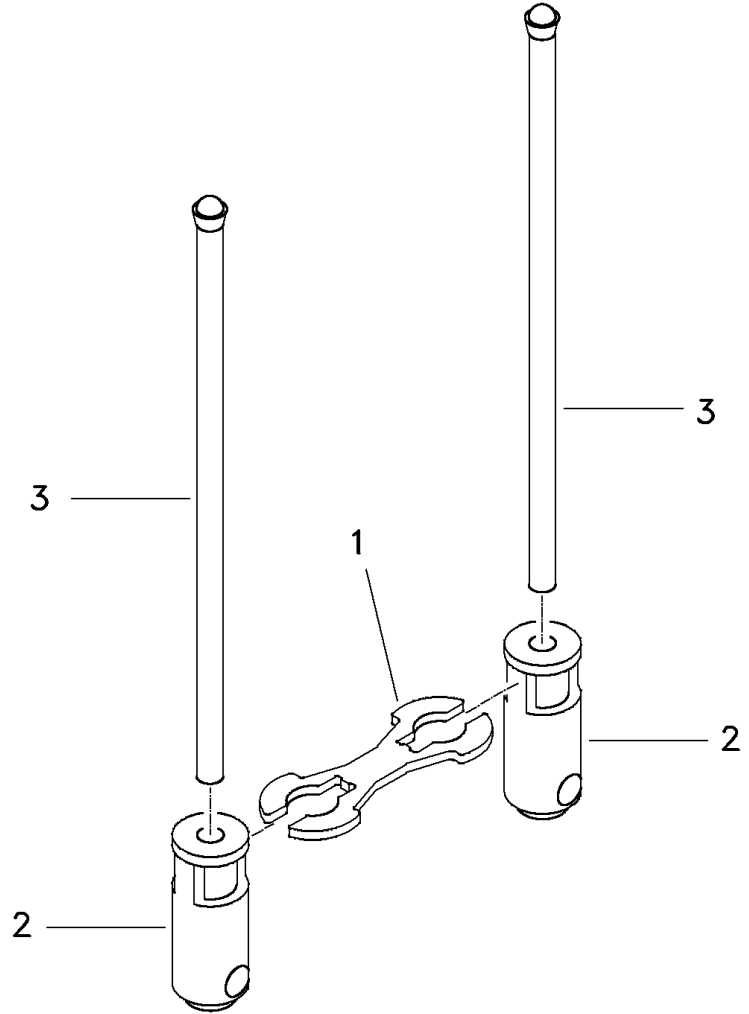
ITEM	PART NUMBER	QTY	DESCRIPTION
			FIGURE 1833386C1 (NON-ILLUSTRATED) VALVE ASM, OIL RELIEF
001	1833234C1	0001	% HOUSING, VALVE
002	1833344C1	0001	% VALVE
003	1833235C1	0001	% SPRING, RELIEF VALVE
004	1834335C1	0001	% RETAINER, VALVE
005	55163R1	0001	% RING, SNAP HYDV HYD CYL CON .83

ITEM	PART NUMBER	QTY	DESCRIPTION
			FIGURE 1834491C1 (NON-ILLUSTRATED) TUBE ASS'Y, OIL PICK-UP
001	1814737C2	0001	% ELBOW, OIL PICK-UP
002	1835353C1	0001	% TUBE,OIL PICK-UP
003	1835315C1	0001	% BLOCK,OIL PICK-UP TUBE
004	1802870C1	0001	% SCREEN ASSEMBLY, OIL PICK-UP

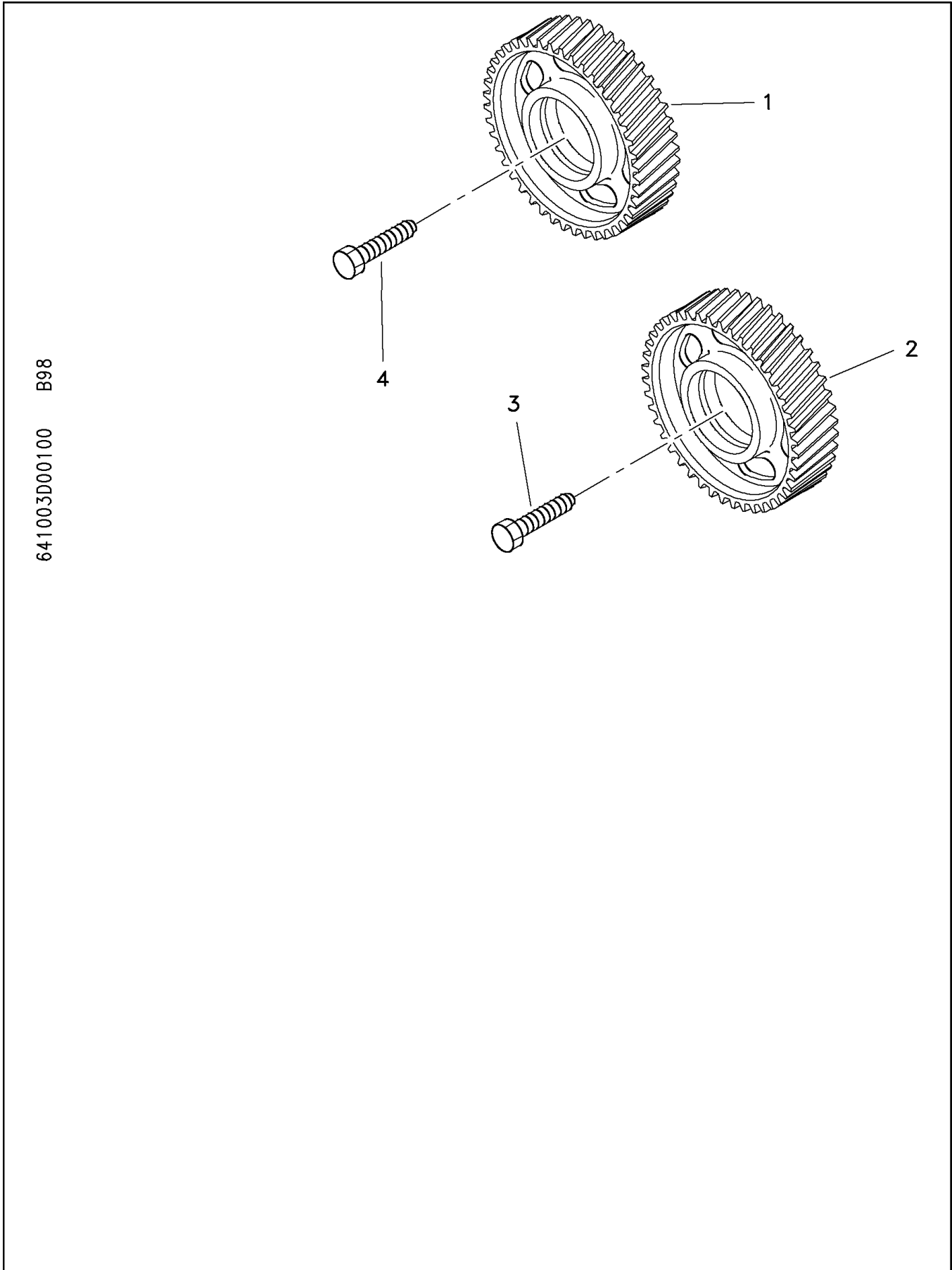


ITEM	PART NUMBER	QTY	DESCRIPTION
			<p>FIGURE 641003A004</p> <p>CAMSHAFT (I-308)</p> <p>CAMSHAFT,ASSEMBLY</p> <p>BOLT, M8X20MM HEX FLANGE</p> <p>SCREW,FL HD M5X12</p> <p>DISC,TIMING SENSOR</p>
001	1830613C91	0001	
002	1817956C1	0002	
003	1825464C1	0003	
004	1824723C1	0001	

641003C00200 B98

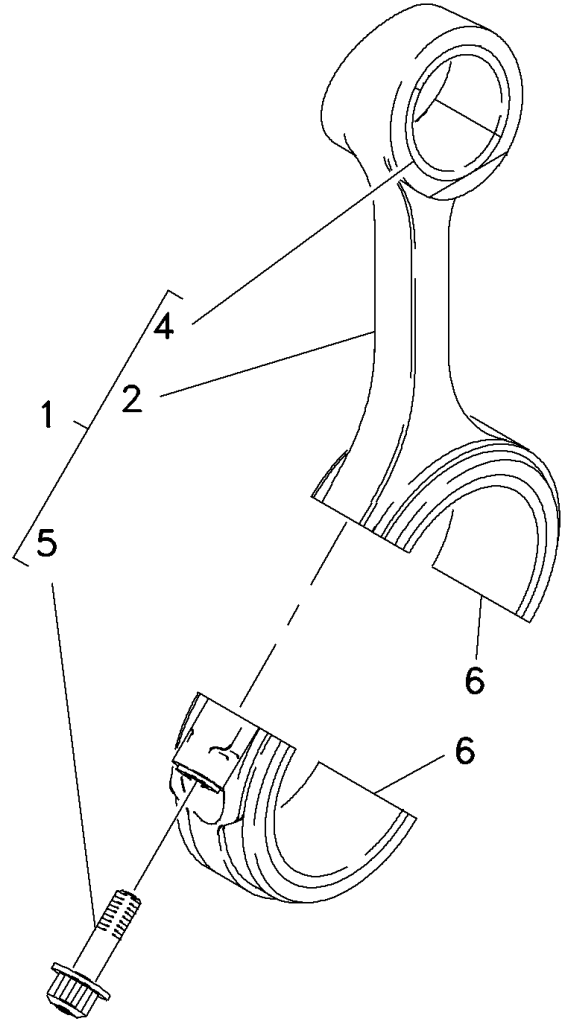


ITEM	PART NUMBER	QTY	DESCRIPTION
001 002 003	1813892C1 1809570C1 1821962C2	0006 0012 0012	<p>FIGURE 641003C002</p> <p>VALVE TAPPETS</p> <p>GUIDE,ROLLER TAPPET TAPPET,ENG VALVE ROD PUSH ASSEMBLY</p>



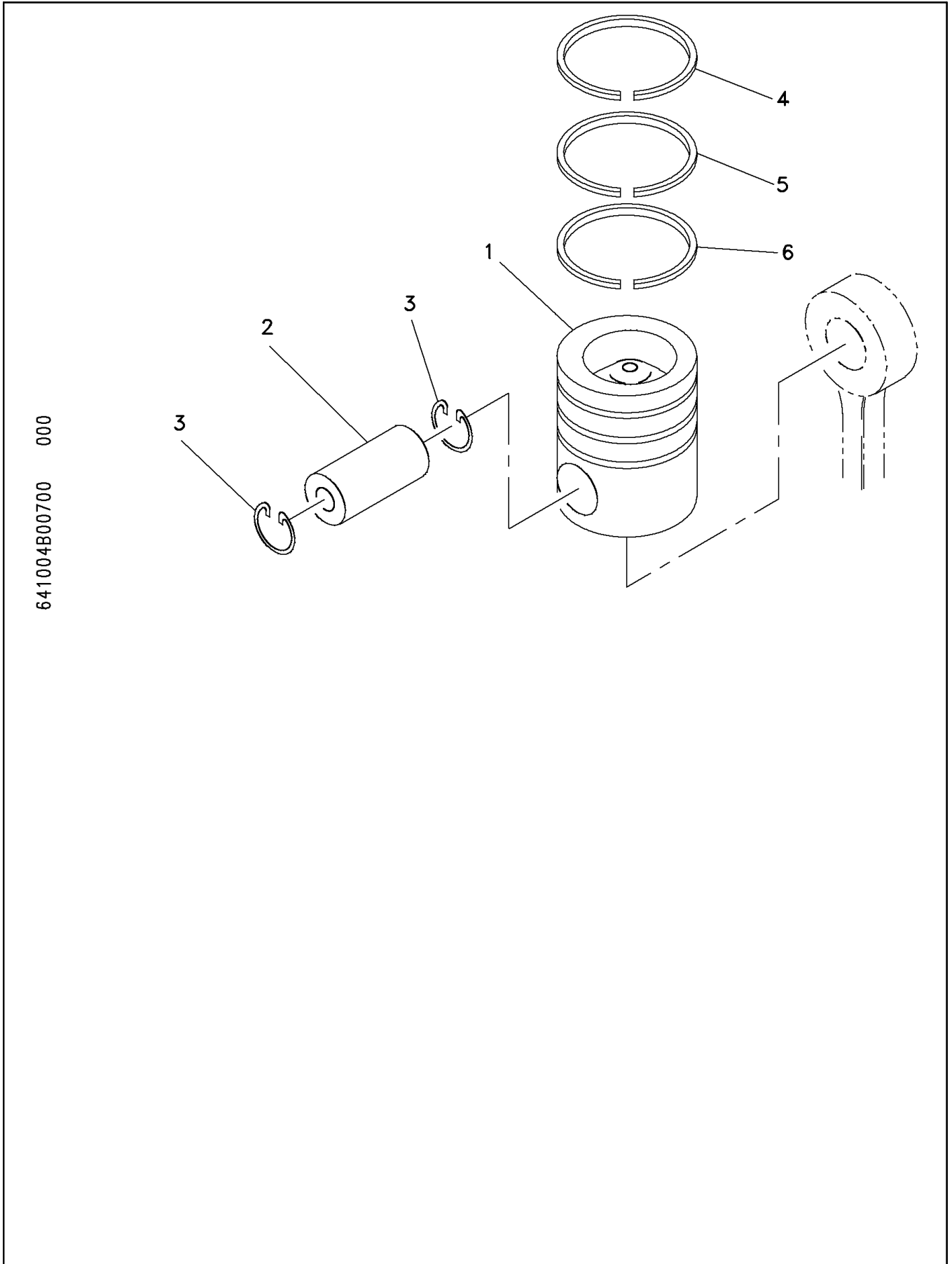
641003D00100 B98

ITEM	PART NUMBER	QTY	DESCRIPTION
			FIGURE 641003D002
			IDLER GEARS
001	1822101C95	0001	GEAR ASSY,LOWER
002	1822102C95	0001	GEAR ASSY.,UPPER
003	1820287C1	0001	BOLT, UPPER IDLER GEAR RET
004	40055R1	0001	BOLT,M20 X 70 12PT



641004A00100 B98

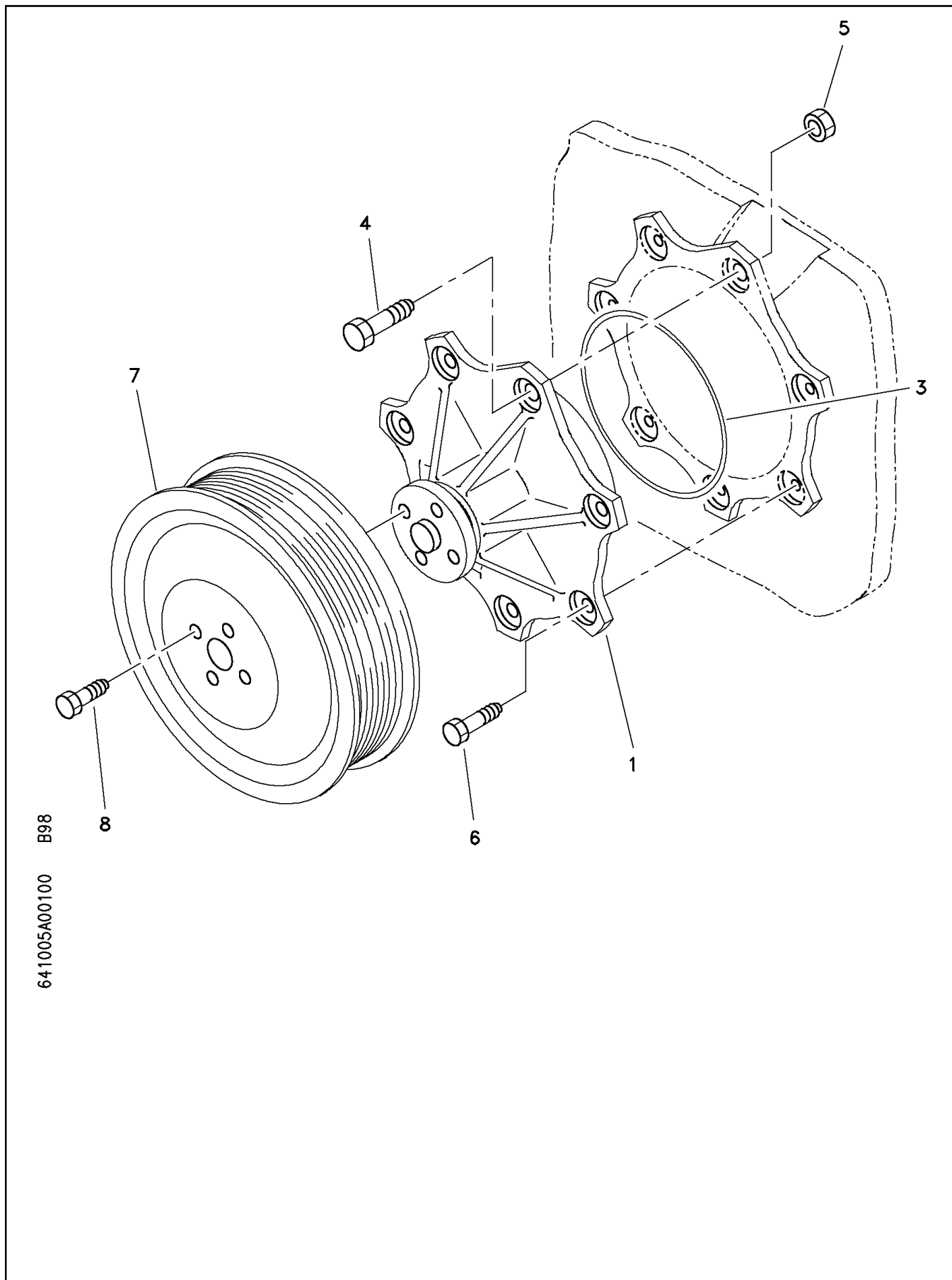
ITEM	PART NUMBER	QTY	DESCRIPTION
FIGURE 641004A002			
CONNECTING ROD (I-308)			
001	1830153C91	0006	ROD,ASM CONNECTING
002	1830152C1	0001	% ROD & CAP, CONNECTING
004	1818598C1	0001	BUSHING, CONN ROD
	1819824C1	0001	% BUSHING, CONNECTING ROD
005	1817537C1	0002	BOLT,CONN ROD
006	1830149C1	0012	% BEARING,CONN ROD



641004B00700 000



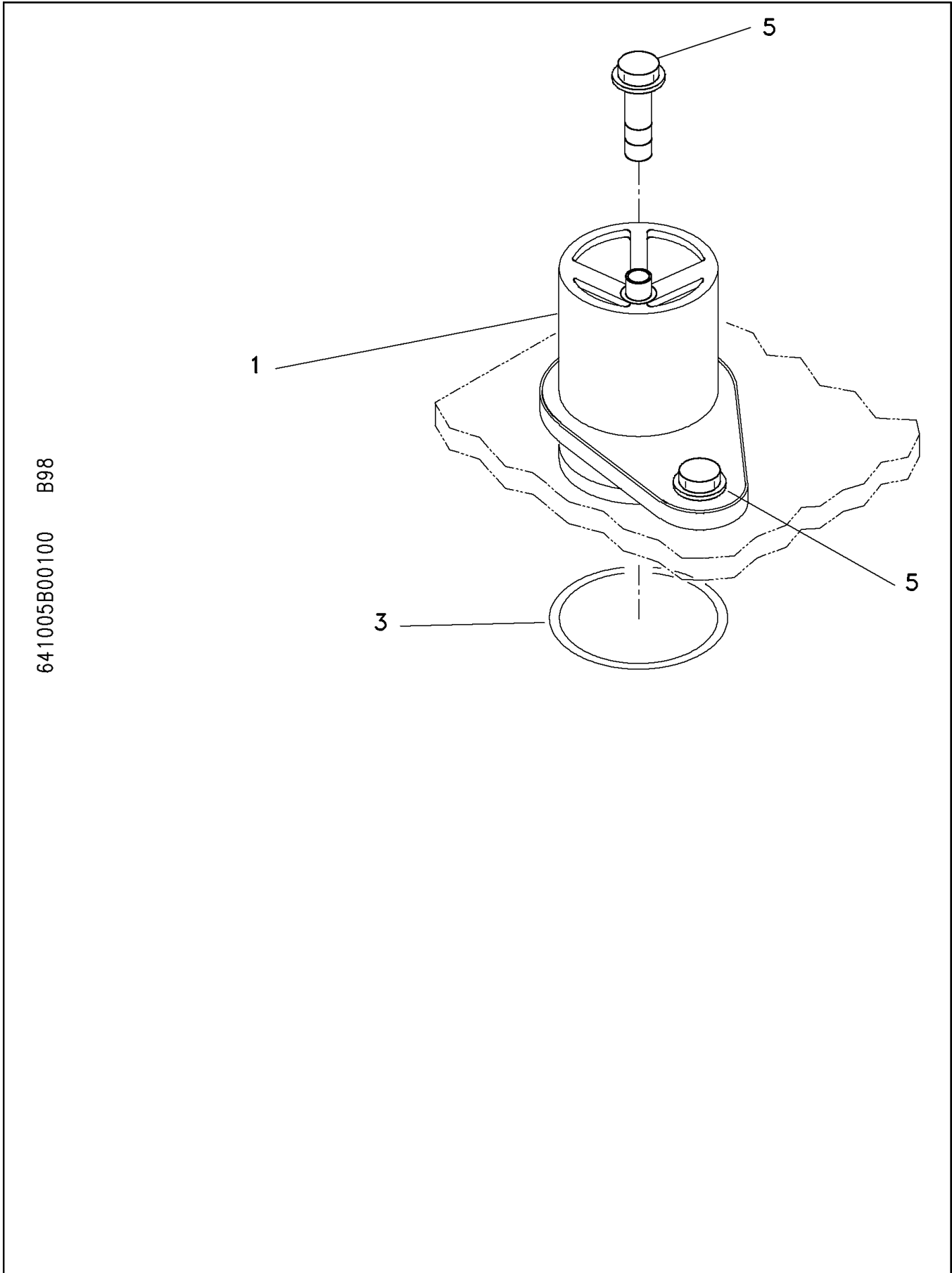
ITEM	PART NUMBER	QTY	DESCRIPTION
			FIGURE 641004B019
			PISTON (I-308,466)
001	1830621C1	0006	PISTON (466BB-LOW HP)
	1830621C2	0006	PISTON (466BB-LOW HP)
002	1830060C1	0006	PIN,PISTON STD
003	1818702C1	0012	RING,PISTON PIN
004	1817586C1	0006	% RING, TOP COMPRESSION
005	1825626C1	0006	% RING,INTER COMPRESSION
006	1830595C1	0006	% RING,OIL CONTROL



641005A00100 B98

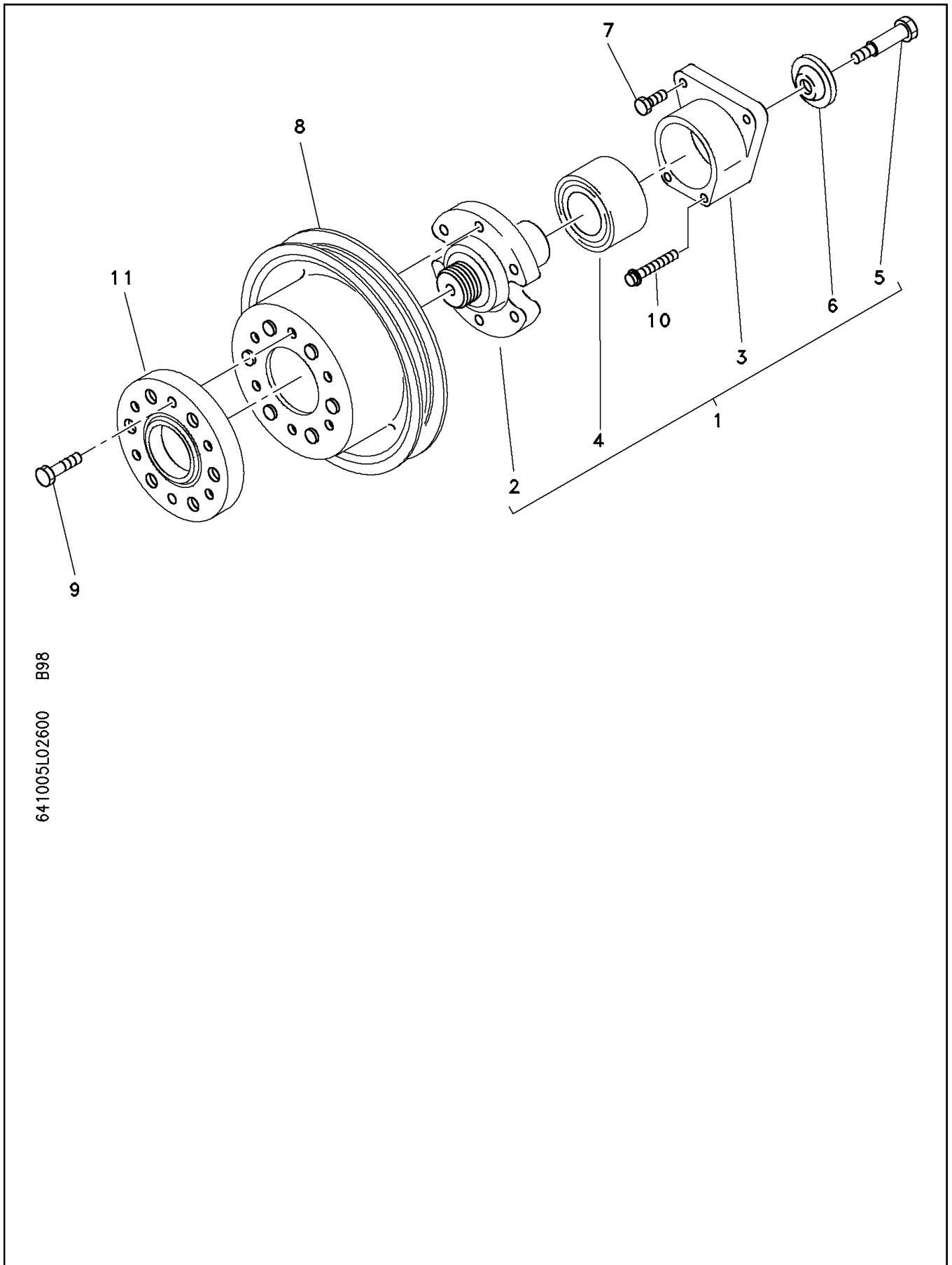


ITEM	PART NUMBER	QTY	DESCRIPTION
			FIGURE 641005A001 WATER PUMP (466)
001	1817687C96	0001	PUMP ASSEMBLY,WATER
004	1817811C1	0001	BOLT M8 X 1.25 6Q 60MM
005	40050R1	0001	NUT,SPECIAL
006	1817810C1	0006	BOLT, M6 X 1.25 6Q 12MM
007	1817891C1	0001	PULLEY,WATER PUMP
008	1817810C1	0004	BOLT, M6 X 1.25 6Q 12MM



641005B00100 B98

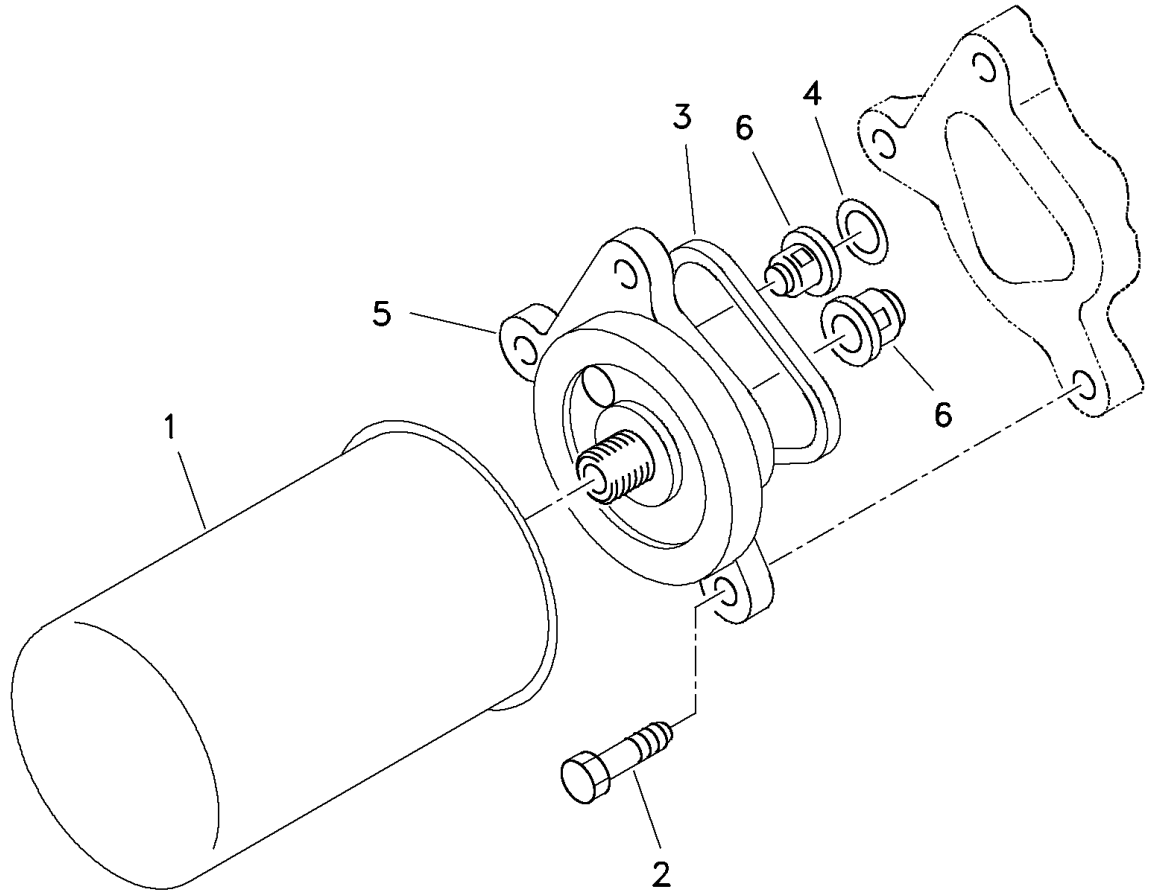
ITEM	PART NUMBER	QTY	DESCRIPTION
001 003 005	1830256C91 1820951C1 1817812C1	0001 0001 0002	<p>FIGURE 641005B001</p> <p>THERMOSTAT ASM</p> <p>THERMOSTAT ASSEMBLY RING,THERMOSTAT BOLT, M8X16 HEX FLANGE</p>



641005L02600 B98

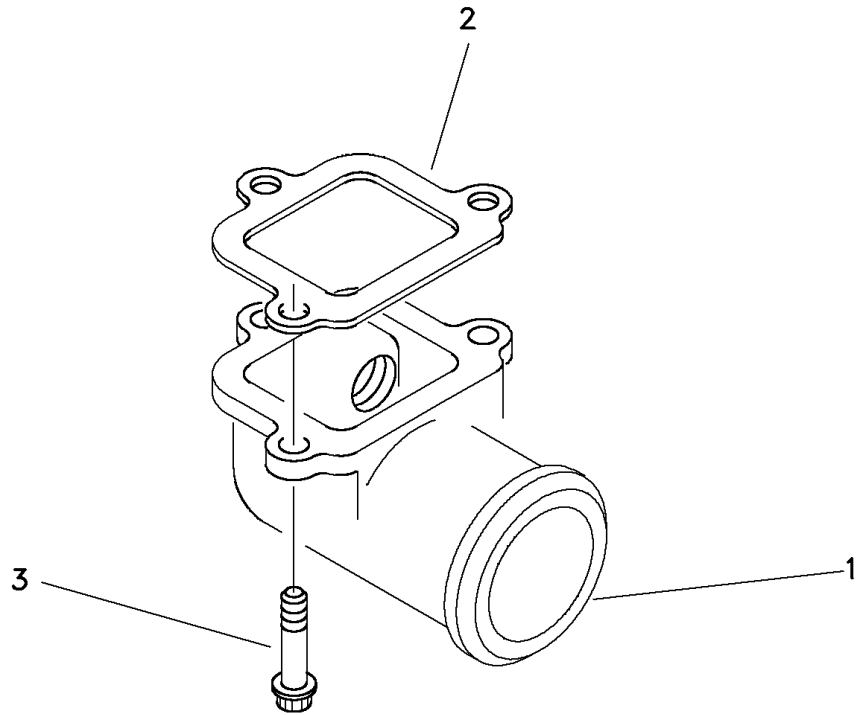
ITEM	PART NUMBER	QTY	DESCRIPTION
			<p>FIGURE 641005L026 FAN DRIVE - 15.1", 1.2:1 BOLT ON W/O FC</p>
001	1822050C91	0001	HOUSING ASSY, FAN
007	1817958C1	0002	BOLT, M8X30 HEX FLANGE
008	1818607C1	0001	PULLEY, FAN
009	1817978C1	0006	BOLT, M8 X 35 HEX FLG
010	1818230C1	0002	BOLT, M8X65 HEX FLANGE
011	1820823C1	0001	SPACER, FAN

641005M00100 B98





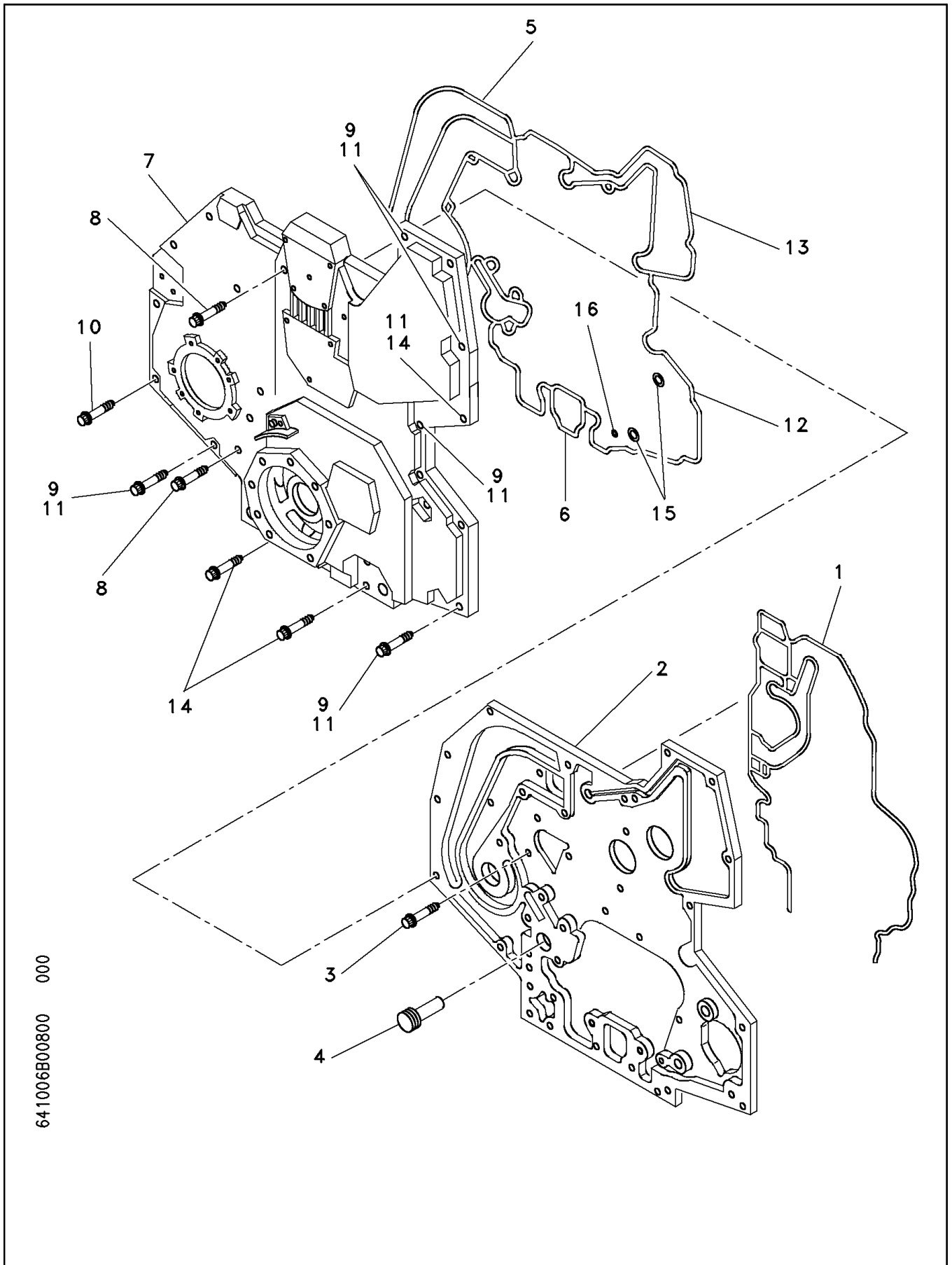
ITEM	PART NUMBER	QTY	DESCRIPTION
			FIGURE 641005M001 COOLANT FILTER - FULL SYSTEM RECHARGE
001	1820361C1	0001	FILTER, COOLANT
	1820358C1	0001	FILTER, COOLANT
002	1817957C1	0003	BOLT, M8X25 HEX FLANGE
003	1820353C1	0001	KA RING, FILTER O
004	1830172C1	0001	KA SEAL,RING
005	1820381C93	0001	KA HEADER ASSY, COOLANT FILTER
			THE FOLLOWING ARE NON-ILLUSTRATED PARTS
	1827689C91	0001	HEADER ASSY.,COOLANT FILTER
	1823351C93	KT	PACKAGE,COOLANT CONDITIONER
	1823351C93	KT	CONSISTS OF PARTS DENOTED BY KA



641005P00100 B98

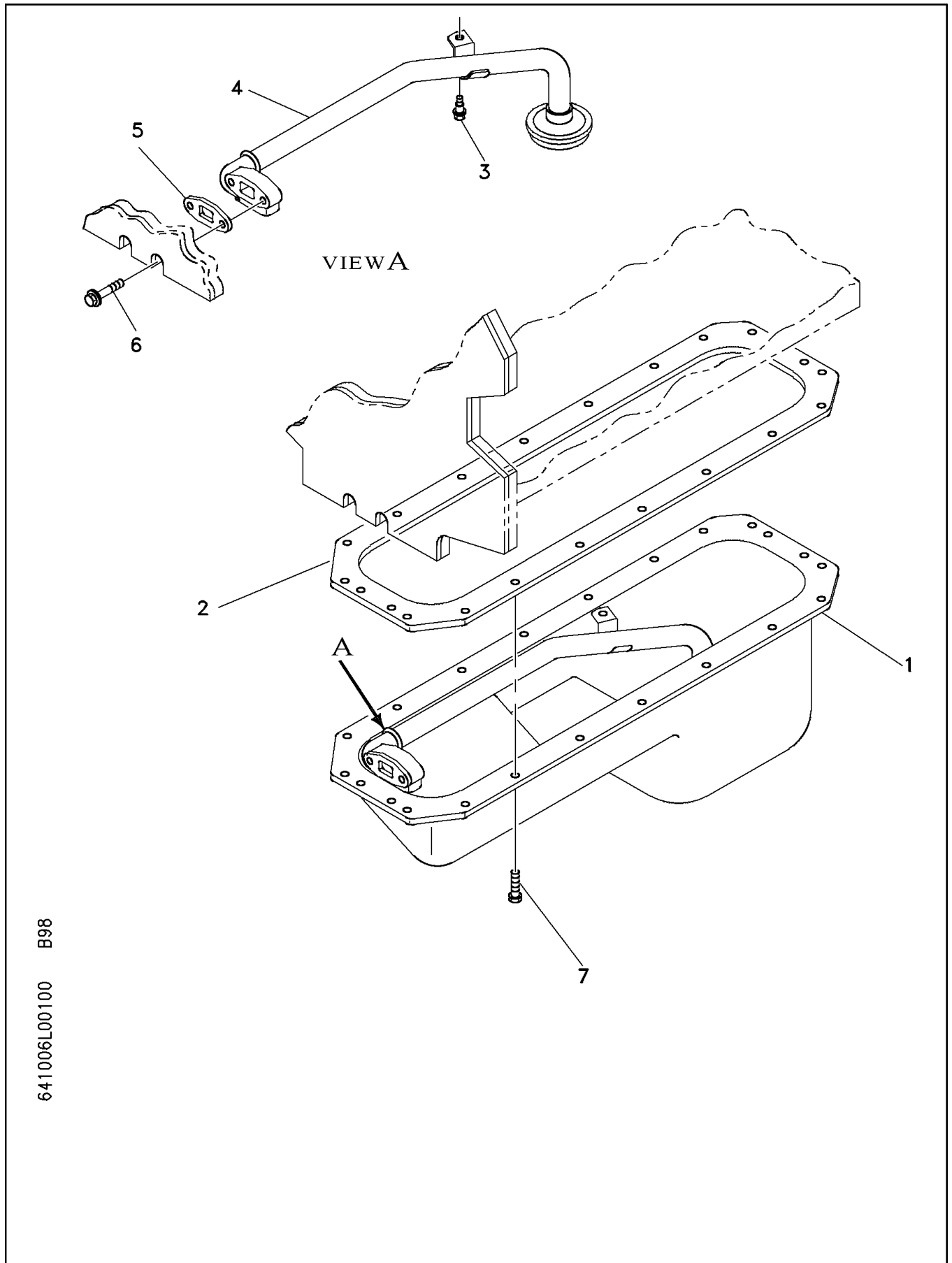
ITEM	PART NUMBER	QTY	DESCRIPTION
001 002 003	2003467C1 1817974C1 1817958C1	0001 0001 0003	<p>FIGURE 641005P001</p> <p>WATER INLET ELBOW</p> <p>INLET, WATER ENGINE GASKET, WATER INLET ELBOW BOLT, M8X30 HEX FLANGE</p>

ITEM	PART NUMBER	QTY	DESCRIPTION
			FIGURE 641006A005 (NON-ILLUSTRATED) CRANKCASE (I-308)
001	1830617C91	0001	% CRANKCASE,ASSEMBLY SLEEVE,CYLINDER RING O CYL SLEEVE RING,CREVICE SEAL RING, CMSFT SEAL-REAR TEE, 1/8-27 AUTO PIPE
	1830706C1	0006	
004	1817633C2	0006	
005	1817000C2	0006	
006	682444C1	0001	
007	1830487C1	0001	



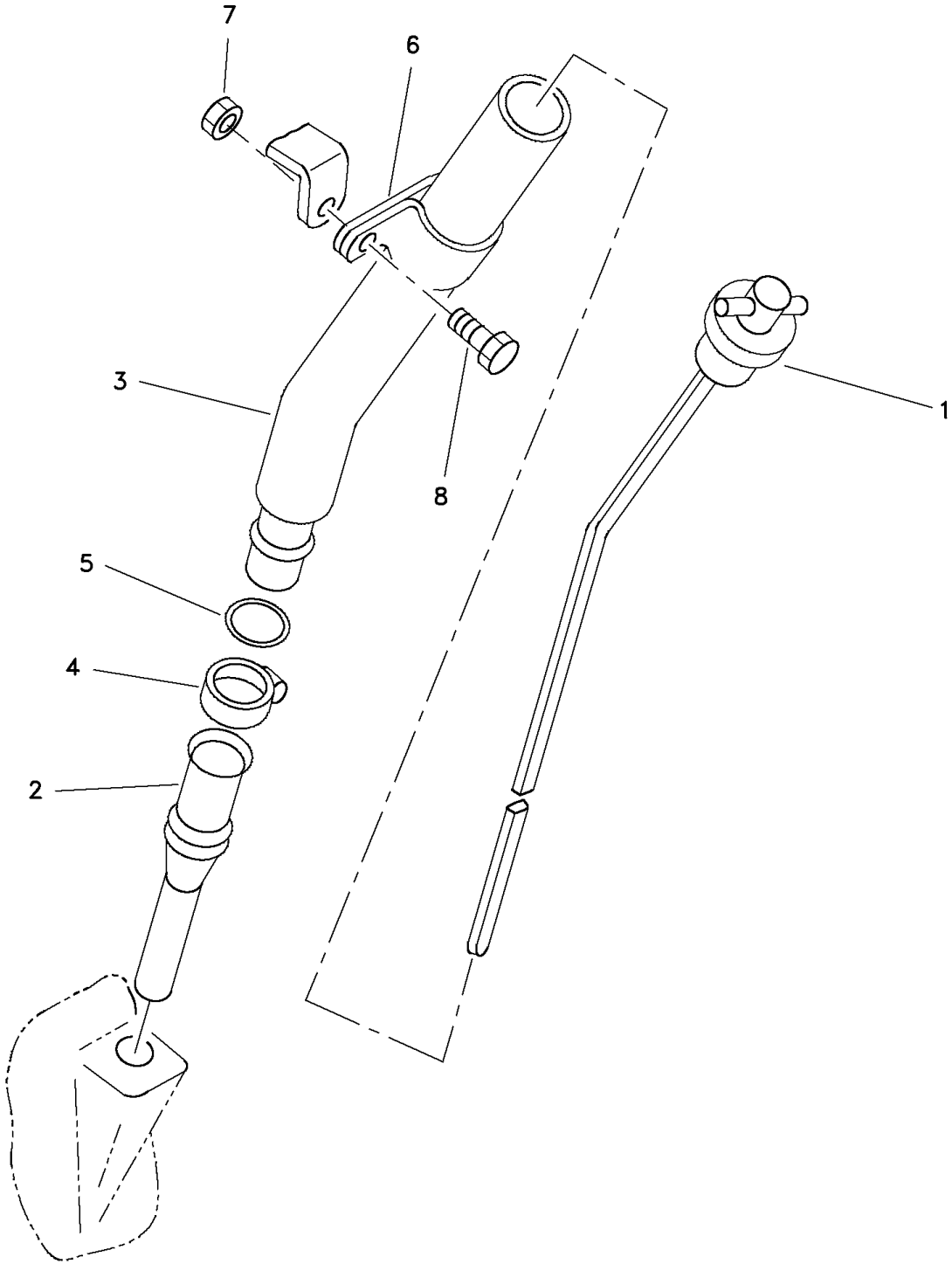
641006B0800 000

ITEM	PART NUMBER	QTY	DESCRIPTION
			FIGURE 641006B008
			FRONT COVER, SAE B FLANGE
001	1820416C4	0001	GASKET,FRONT COVER TO CRANKCSE
002	1826335C91	0001	COVER ASSY.,FRONT (REAR HALF)
	1820813C1	0004	PIN,REAR FRT COVER DOWEL
003	1822121C2	0009	BOLT, HF SPCL-M8P
004	1833386C1	0001	VALVE ASSY., OIL RELIEF
005	1818717C5	0001	GASKET,FRONT COVER
006	1818716C4	0001	GASKET,FC OIL SUCTION
007	1820465C3	0001	COVER,FRONT (FRONT HALF)
	1820465C4	0001	COVER, FRONT (FRONT HALF)
008	1817960C1	0006	BOLT, MB X 1.25 6Q 45MM
009	1817958C1	0008	BOLT,M8X30 HEX FLANGE
010	1817957C1	0001	BOLT, M8X25 HEX FLANGE
011	40050R1	0009	NUT,SPECIAL
012	446839C1	0001	SEALANT,
013	1820920C2	0001	GASKET, RESERVOIR
014	1817959C1	0005	BOLT, M8X40 HEX FLANGE
015	1820907C2	0003	RING,O
016	1820878C2	0001	SEAL, FRONT COVER



641006L00100 B98

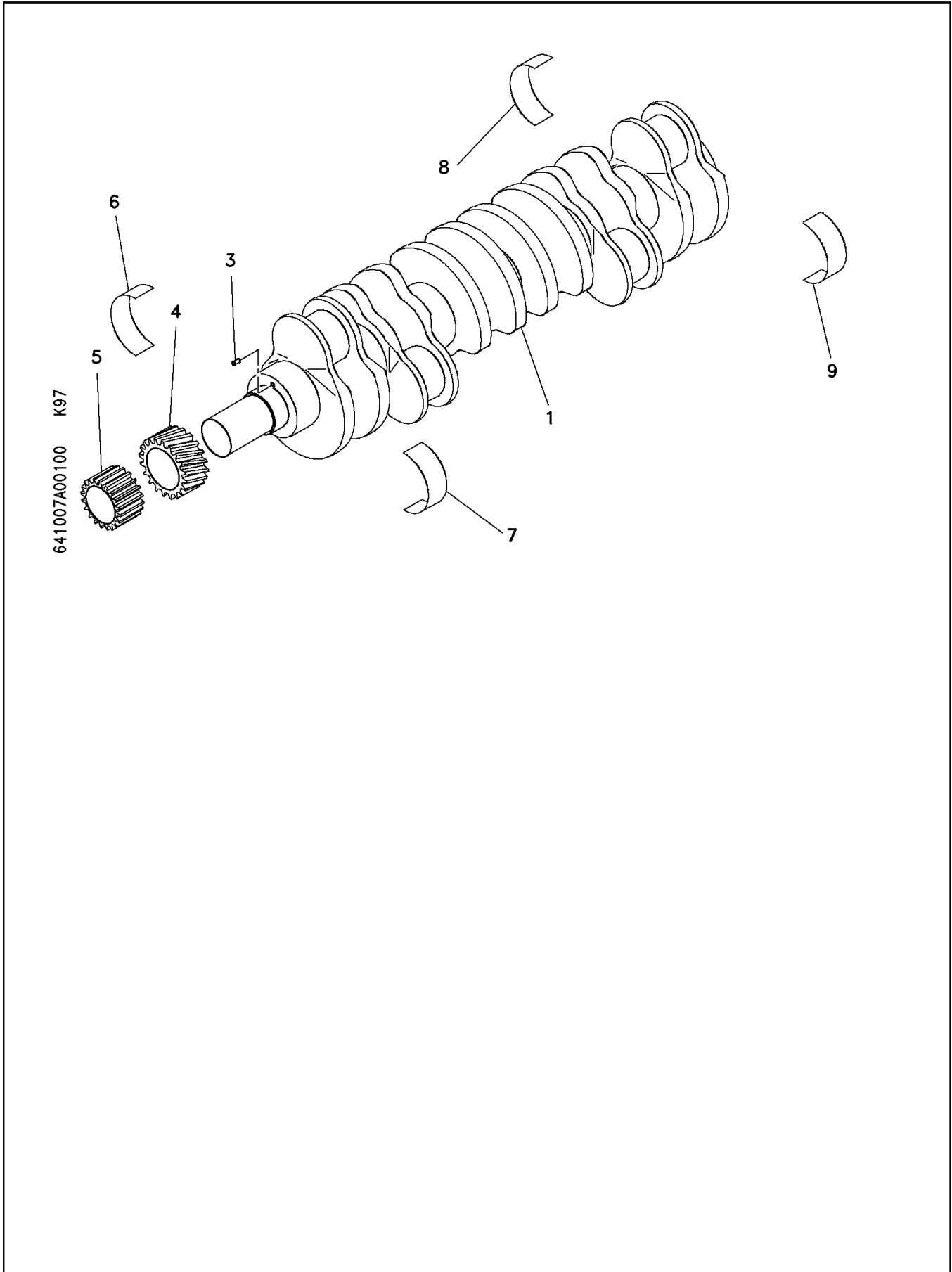
ITEM	PART NUMBER	QTY	DESCRIPTION
			FIGURE 641006L001
			OIL PAN - REAR SUMP
001	1823278C92	0001	PAN,OIL ASSEMBLY
002	1826587C1	0001	GASKET,OIL PAN
003	1817812C1	0001	BOLT, M8X16 HEX FLANGE
	1835385C1	0001	BOLT,HEAVY HX FLG-M8 X 80MM
004	1820225C93	0001	TUBE ASSY.,OIL PICKUP
	1834491C1	0001	TUBE ASSY., OIL PICK-UP
005	1816722C2	0001	GASKET,CAMSHAFT BRG PLATE
006	1817960C1	0002	BOLT, MB X 1.25 6Q 45MM
007	1823281C1	0022	BOLT, M8 X 1.25 X 20MM
			THE FOLLOWING ARE NON-ILLUSTRATED PARTS
	1822523C1	0002	BAR, OIL PAN MOUNTING
	1823275C1	0014	BOLT, M8 X 1.25 X 30MM



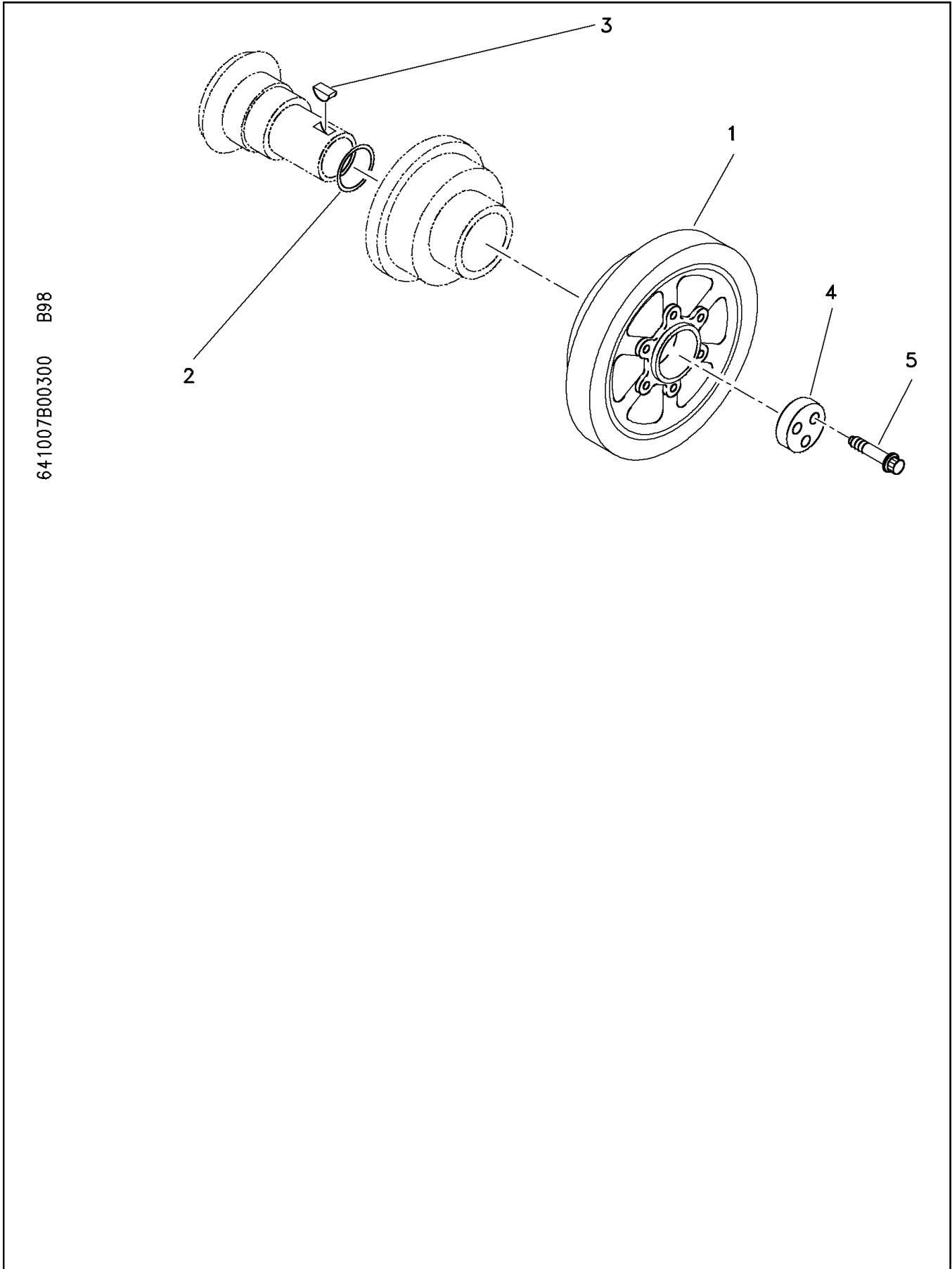
641006M00100 B98



ITEM	PART NUMBER	QTY	DESCRIPTION
			FIGURE 641006M008
			OIL LEVEL GAUGE - REAR SUMP
001	1820953C3	0001	GAUGE,OIL LEVEL
002	691846C1	0001	TUBE,OIL LEVEL GAUGE
003	1823743C2	0001	TUBE,OIL FILLER
004	690835C1	0001	CLAMP,OIL FILLER MTG
005	1812559C1	0001	SEAL,OIL DIPSTICK TUBE
006	27902R1	0001	CLAMP,TIRE CARR 1.50 DIA ZNP C
007	40050R1	0002	NUT,SPECIAL
008	1817956C1	0001	BOLT, M8X20MM HEX FLANGE

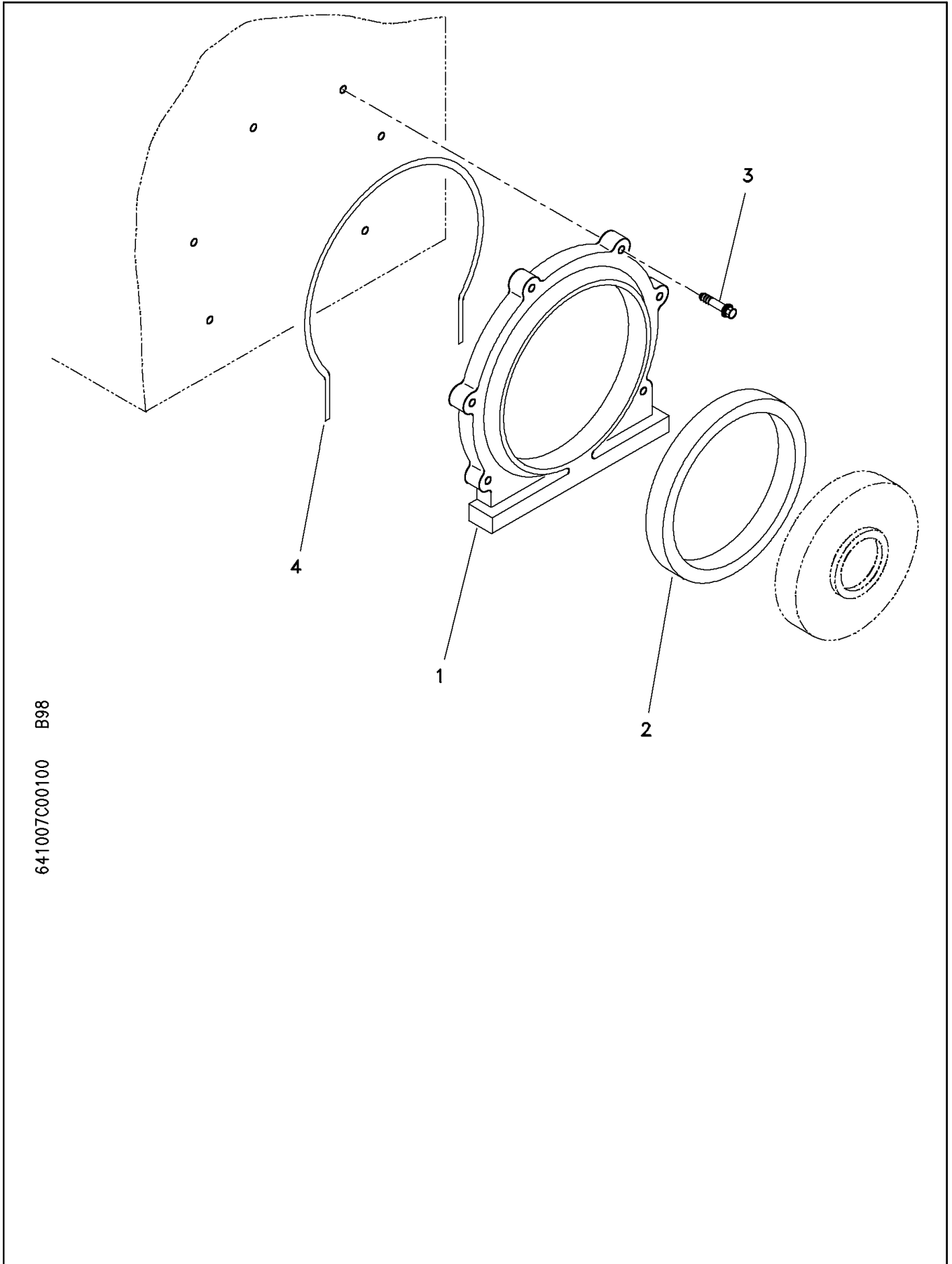


ITEM	PART NUMBER	QTY	DESCRIPTION
			FIGURE 641007A003 CRANKSHAFT 466
001	1830597C91	0001	CRANKSHAFT ASSEMBLY
003	17135R1	0001	PIN, 5/32 X 5/16 PLN SLT-SPR
004	1820299C1	0001	GEAR,CRANKSHAFT
005	675364C1	0001	GEAR,IDLER TIMING
006	1830506C1	0006	% BEARING,C'SHAFT FRONT UPPER
007	1817021C1	0006	% BEARING CRANKSHAFT INT & LOW
008	1830505C1	0001	% BEARING,C'SHAFT REAR UPPER
009	1830269C1	0001	% BEARING, C'SHAFT REAR LOWER



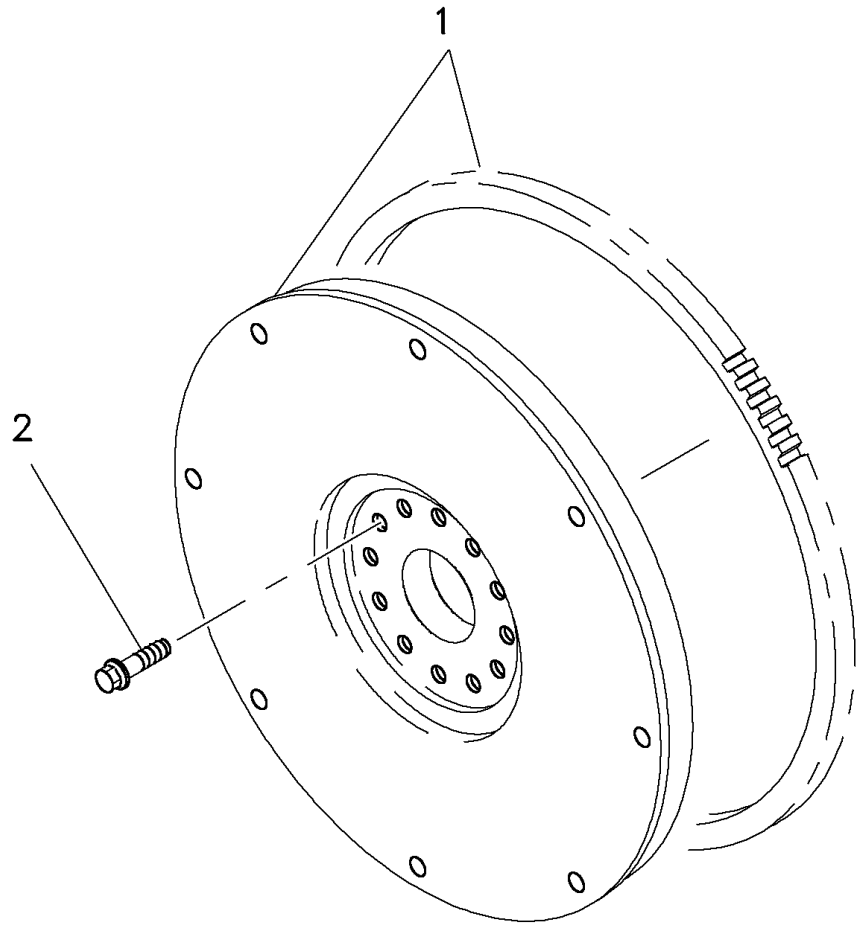
641007B00300 B98

ITEM	PART NUMBER	QTY	DESCRIPTION
			<p>FIGURE 641007B003</p> <p>VIBRATION DAMPER - 2800 RPM RUBBER DAMPER</p>
001	1820855C91	0001	DAMPER,VIBRATION
	1820855C92	0001	DAMPER ASSEMBLY
002	687024C1	0001	WASHER,SPECIAL
003	691044C1	0001	KEY,WOODRUFF
004	675412C1	0001	PLATE,CAMSHFT BRG COVER
005	1823929C1	0003	BOLT, M12 X 1.25



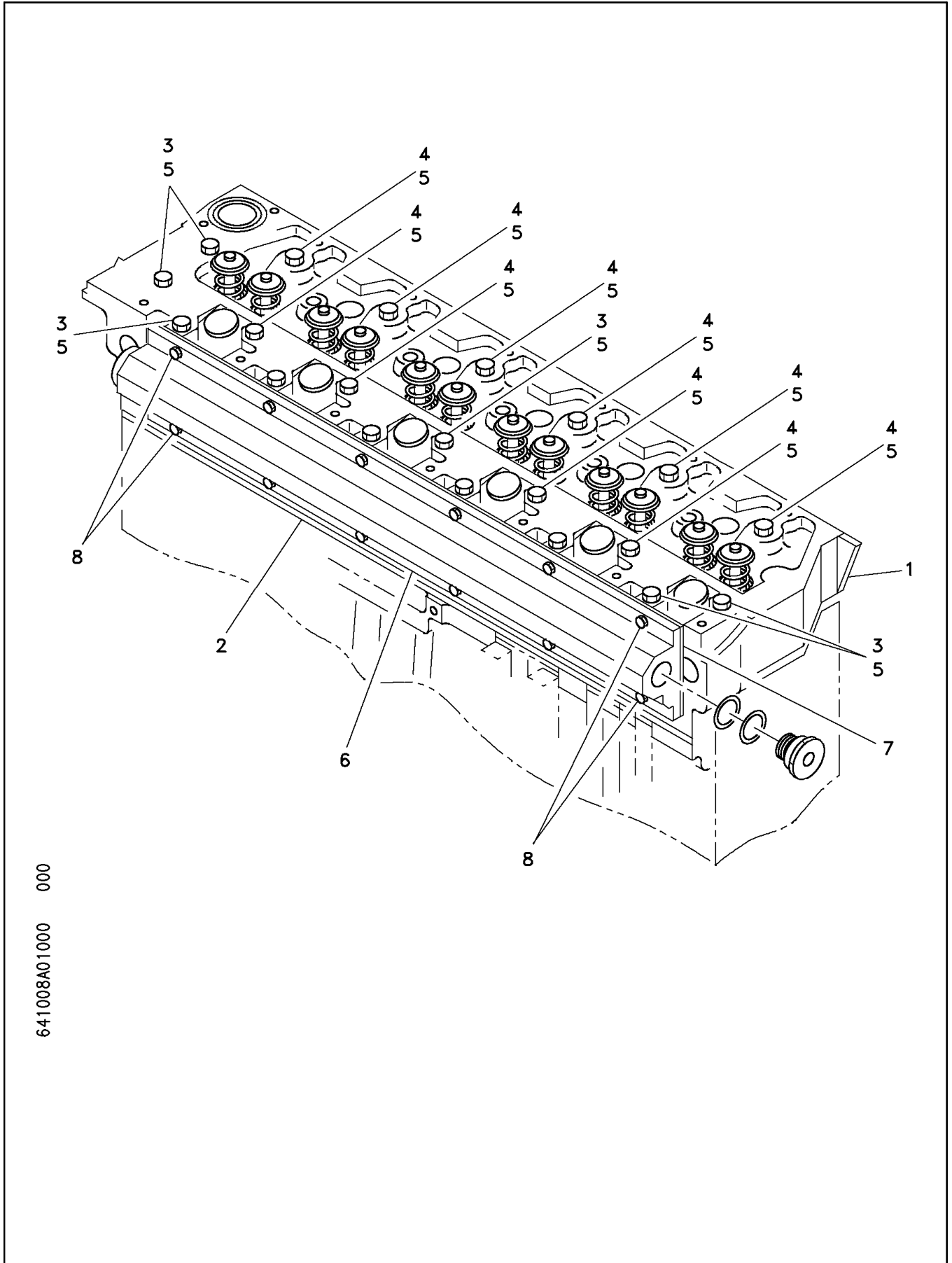
641007C00100 B98

ITEM	PART NUMBER	QTY	DESCRIPTION
			<p>FIGURE 641007C001</p> <p>OIL SEAL ASM, REAR</p>
001	1823733C2	0001	CARRIER,OIL SEAL
	1823733C2	0001	CARRIER,OIL SEAL
	1815699C2	0001	CARRIER, OIL
	1815699C2	0001	CARRIER, OIL
002	1817867C92	0001	SEAL ASSEMBLY,RADIAL LIP
	1817867C92	0001	SEAL ASSEMBLY,RADIAL LIP
003	1817958C1	0006	BOLT,M8X30 HEX FLANGE
	1817958C1	0006	BOLT,M8X30 HEX FLANGE
004	1824911C1	0001	GASKET,REAR SEAL CARRIER
	1824911C1	0001	GASKET,REAR SEAL CARRIER
	641007C001		NOTE: ASMS BELOW SERVICED BY ABOVE COMPON OIL SEALS



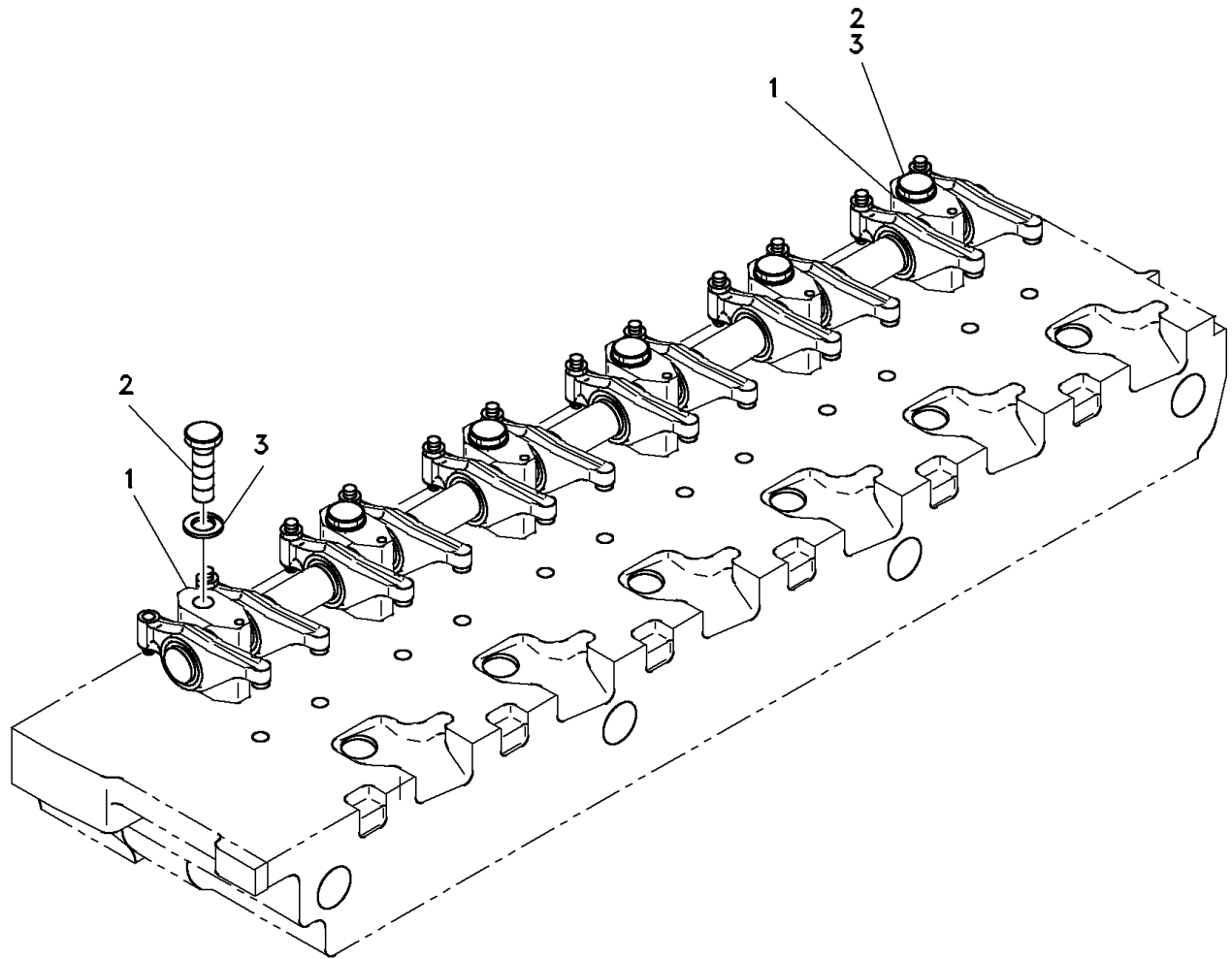
641007L00800 B98

ITEM	PART NUMBER	QTY	DESCRIPTION
001	1822029C91	0001	<p>FIGURE 641007L008</p> <p>FLYWHEEL, CLARK 28000 & 32000 - SAE #3</p> <p>FLYWHEEL, CLARK SAE#3</p>
002	1820982C1	0001	GEAR, RING
	1823929C1	0012	BOLT, M12 X 1.25



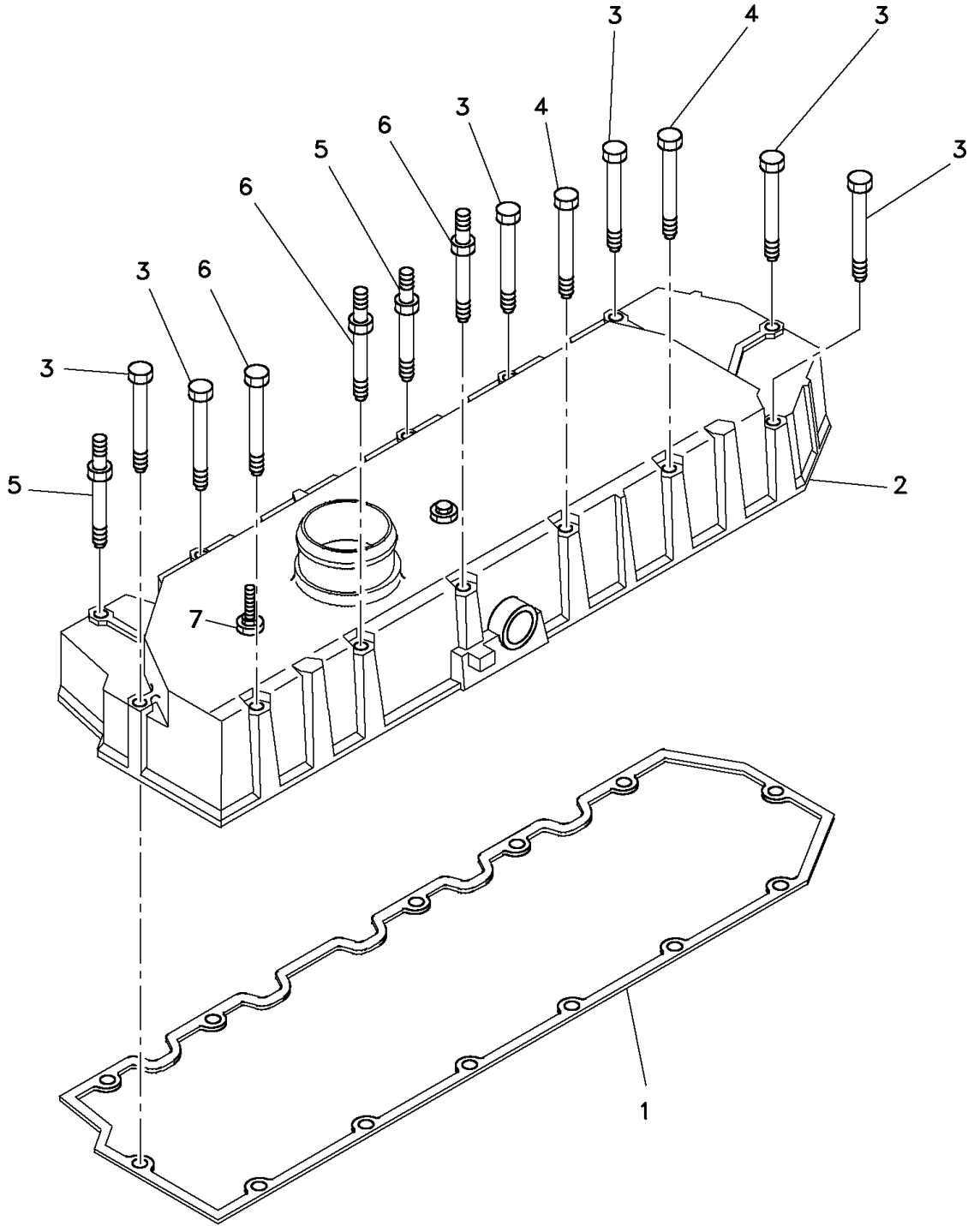
641008A01000 000

ITEM	PART NUMBER	QTY	DESCRIPTION
			FIGURE 641008A008 CYLINDER HEAD (I-308/466)
001	1830346C92	0001	HEAD ASSY, CYL
	1830346C93	0001	HEAD ASSY.,CYLINDER
002	1830327C1	0001	GASKET,CYL HEAD
003	1824954C2	0010	BOLT,CYLINDER HEAD
004	1824954C2	0010	BOLT,CYLINDER HEAD
005	1814757C2	0012	WASHER,HARDENED
006	1829825C91	0001	MANIFOLD ASSY.,OIL & FUEL
007	1822577C1	0001	GASKET, MANIFOLD
008	1817959C1	0012	BOLT, M8X40 HEX FLANGE



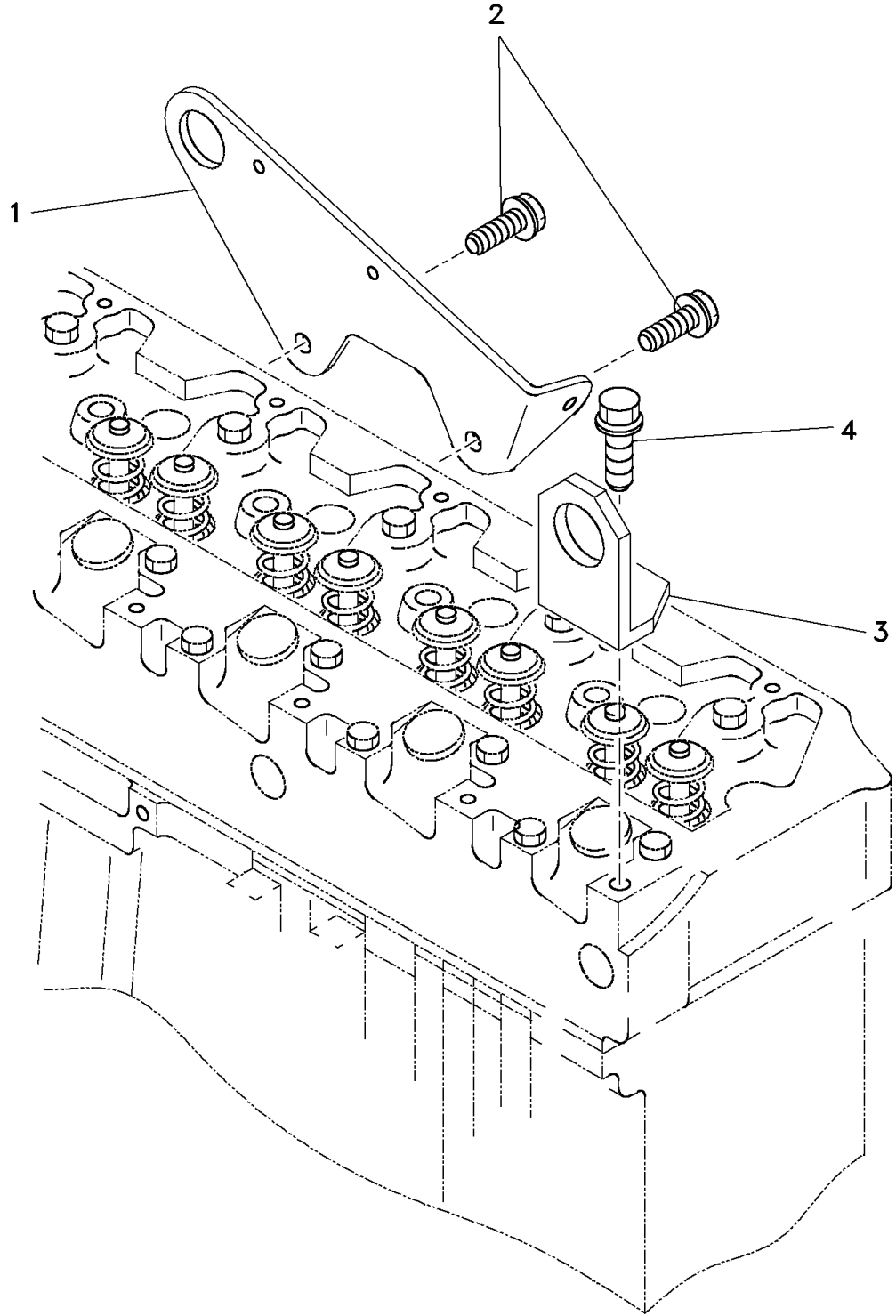
641008C00100 K97

ITEM	PART NUMBER	QTY	DESCRIPTION
001 002 003	1830593C92 1824955C1 1814757C2	0001 0006 0006	<p>FIGURE 641008C003</p> <p>ROCKER ARM</p> <p>SHAFT ASSY.,BRKT & ROCKER ARM BOLT,CYL HEAD WASHER,HARDENED</p>



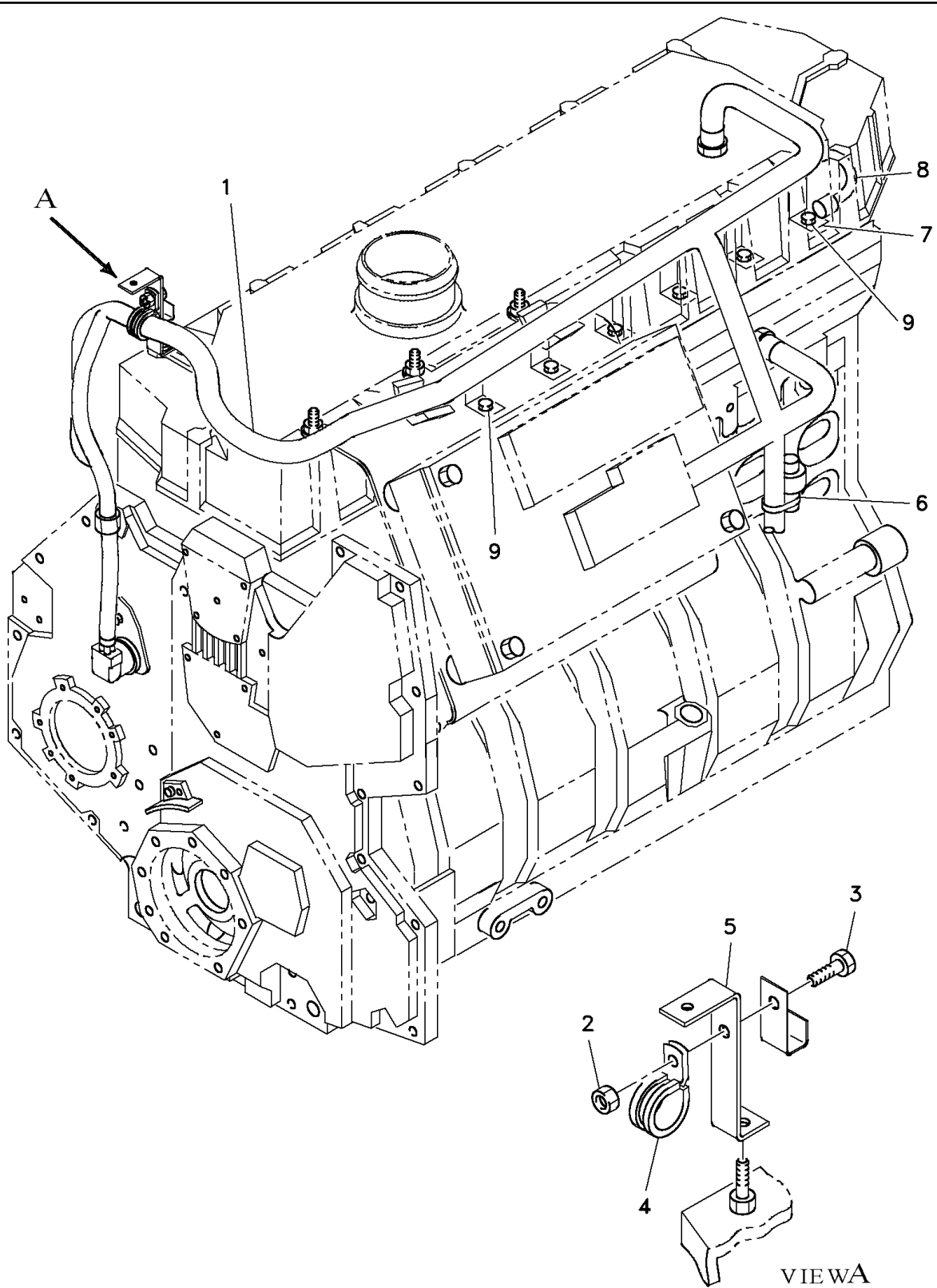
641008D00700 J98

ITEM	PART NUMBER	QTY	DESCRIPTION
			FIGURE 641008D011 VALVE COVER (I-308)
001	1820909C1	0001	% GASKET, VALVE COVER
002	1830624C1	0001	COVER ASSY, VALVE
003	1817961C1	0006	BOLT, M8 X 1.25 6Q 90MM
004	1818693C1	0002	BOLT, M8 X 110 HEX FLGE
005	1819245C1	0002	STUD, M8 X 90 VALVE COVER
006	1823742C1	0003	STUD BOLT, M8X110X19
007	444612	0001	PLUG, 1/8-27 PLN H/HD AUTO PIP



641008F00100 B98

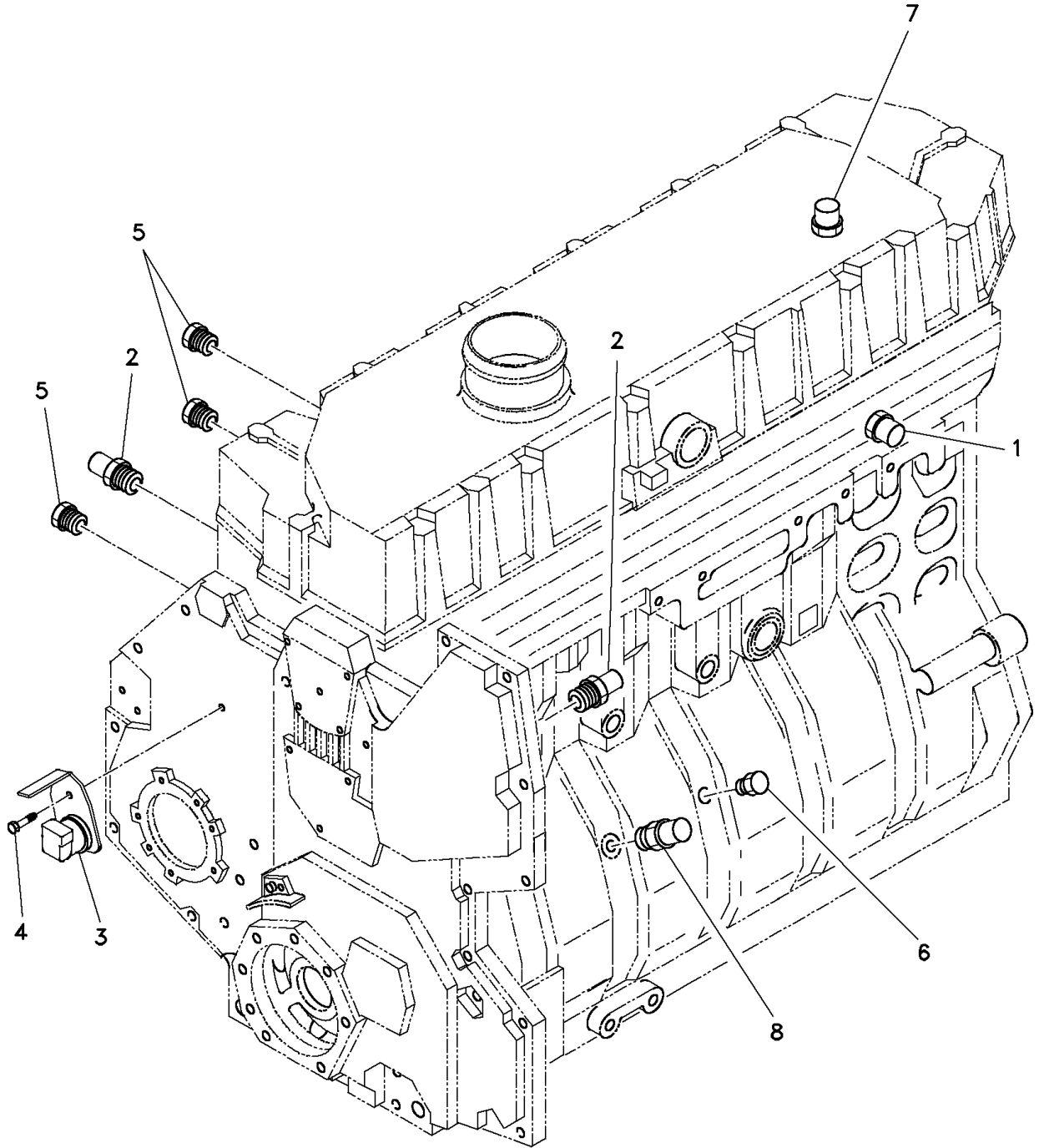
ITEM	PART NUMBER	QTY	DESCRIPTION
			<p>FIGURE 641008F001</p> <p>LIFTING EYE</p> <p>001 1817560C2 0001 EYE, LIFTING FRONT</p> <p>002 1817967C1 0002 BOLT, M12 X 1.75 6Q 25MM</p> <p>003 1820215C1 0001 EYE, LIFTING REAR</p> <p>004 1820235C1 0001 BOLT, M14 X 30 HEX FLGE</p>



H98
641009A00300

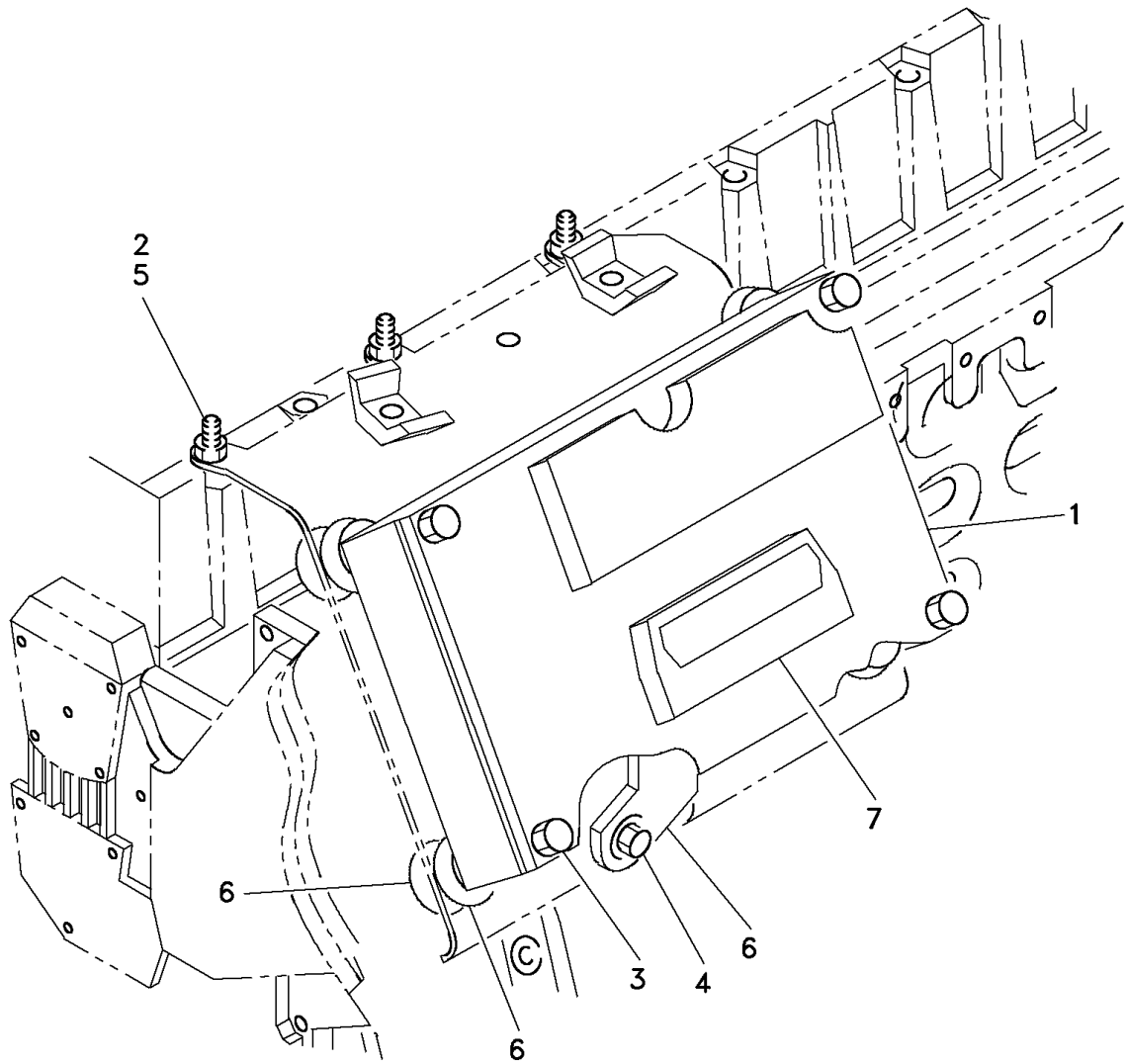


ITEM	PART NUMBER	QTY	DESCRIPTION
			FIGURE 641009A003
			ELECTRICAL WIRING ASM, FRT MTD CEC W/EOP
001	1807455C91	0001	HARNESS,INTERNAL WIRING
	1807455C91	0001	HARNESS,INTERNAL WIRING
	1807417C95	0001	HARNESS ASSEMBLY,ENGINE
	1807417C95	0001	HARNESS ASSEMBLY,ENGINE
002	40049R1	0001	NUT, M6 X 1.0
	40049R1	0001	NUT, M6 X 1.0
003	1817953C1	0001	BOLT, M6 X 15 HEX FLANGE
	1817953C1	0001	BOLT, M6 X 15 HEX FLANGE
	2003460C1	0001	CLAMP,CABLE
	2003460C1	0001	CLAMP,CABLE
004	406381C1	0001	CLAMP.HOSE
	406381C1	0001	CLAMP.HOSE
005	2002176C1	0001	EXTENSION,CLIP
	2002176C1	0001	EXTENSION,CLIP
006	1807310C1	AR	WIRE,GOV SEAL
	1807310C1	AR	WIRE,GOV SEAL
007	1807296C1	0001	CHANNEL, WIRING HARNESS
	1807296C1	0001	CHANNEL, WIRING HARNESS
008	1807285C92	0001	HARNESS,INTRNL WIRING I-6HEUI
	1807285C92	0001	HARNESS,INTRNL WIRING I-6HEUI
009	30360R1	0006	BOLT,CARB THROTTLE BODY
	30360R1	0006	BOLT,CARB THROTTLE BODY
			THE FOLLOWING ARE NON-ILLUSTRATED PARTS
	299565C1	0002	CLAMP, .688 DIA ZNP COATED MED
	299565C1	0002	CLAMP, .688 DIA ZNP COATED MED
	641009A003		NOTE: ASMS BELOW SERVICED BY ABOVE COMPON ELECTRICAL WIRING, FRT MTD CEC W/EOP



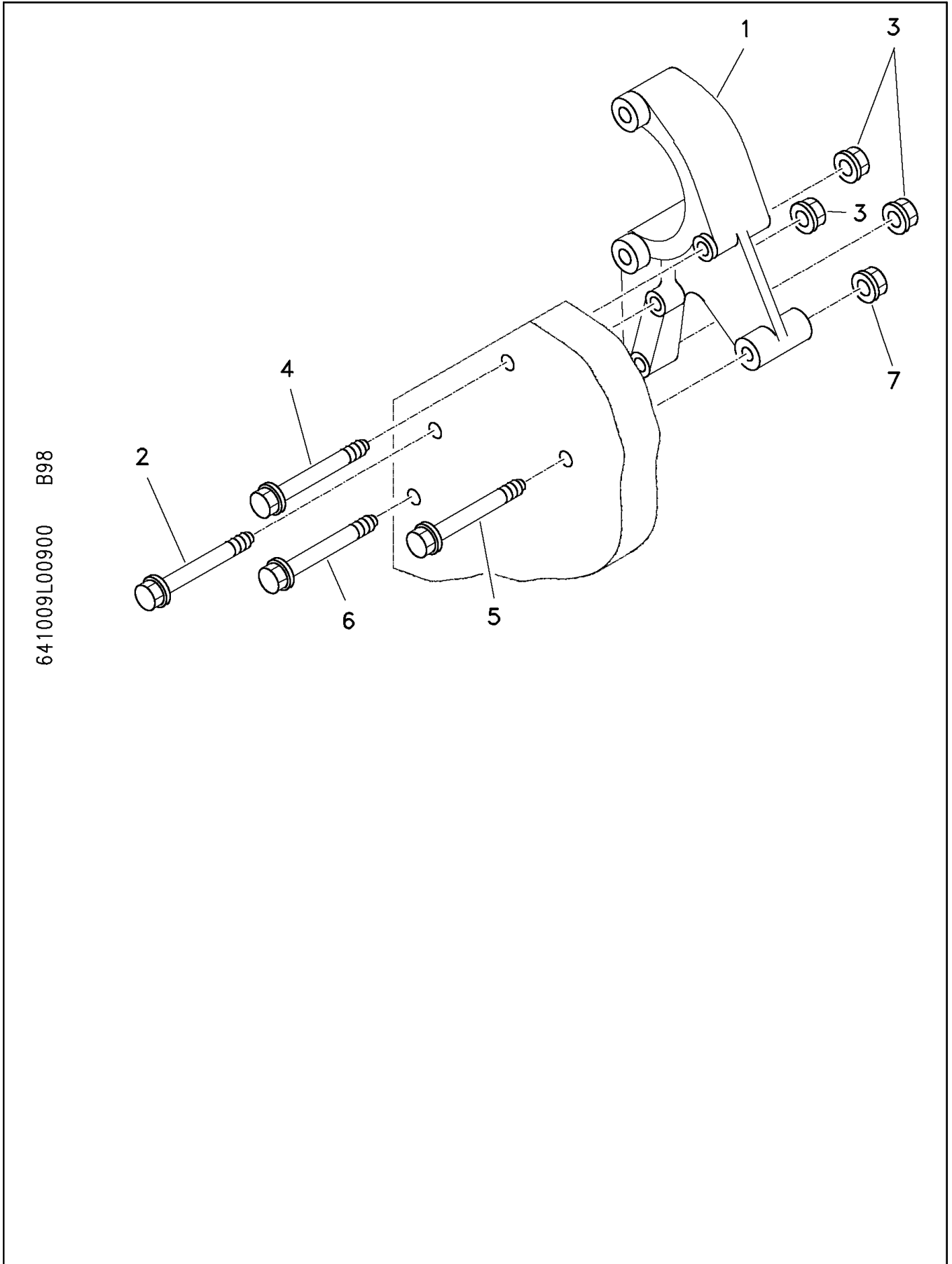
641009B00300 C98

ITEM	PART NUMBER	QTY	DESCRIPTION
			FIGURE 641009B003
			ELECTRONIC SENSORS - FOR CEC W/EOP
001	1812818C92	0001	TRANSMITTER ASSY,INJ CONT
	1830669C91	0001	TRANSMITTER, ICP
002	1814320C1	0002	TRANSMITTER,SENSOR ENG TEMP
003	1807339C92	0001	TRANSDUCER ASSY,CAMP
004	1817812C1	0001	BOLT, M8X16 HEX FLANGE
005	445751	0003	PLUG, 1/2-14 PLN SQ/SKT AUTO P
006	444613	0001	PLUG, 1/8-27 ZNP H/HD AUTO PIP
	444612	0001	PLUG, 1/8-27 PLN H/HD AUTO PIP
007	1813658C2	0001	TRANSMITTER, SENSOR BACK PRESS
008	1807369C2	0001	SENSOR,OIL PRESSURE



641009C00800 000

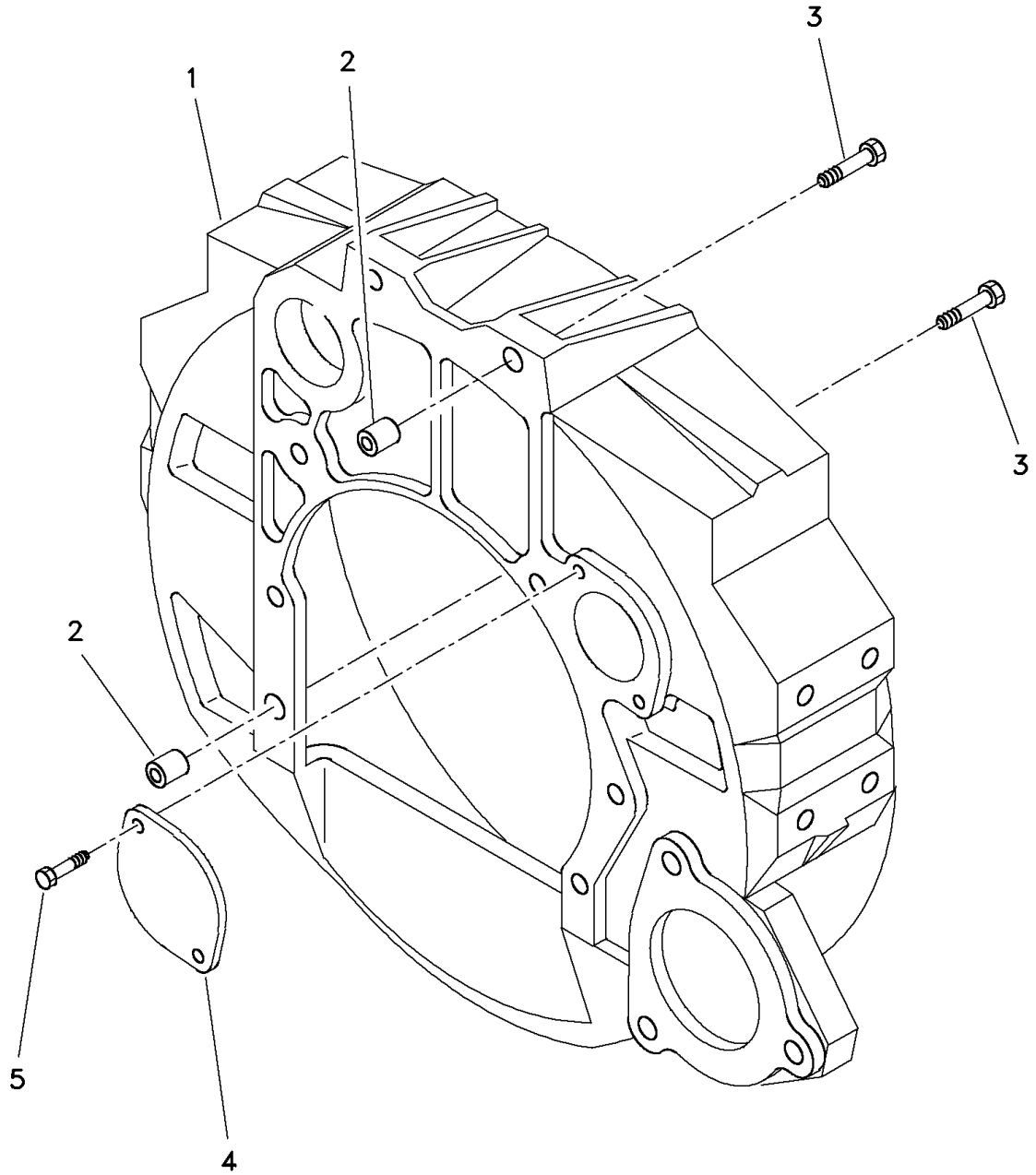
ITEM	PART NUMBER	QTY	DESCRIPTION
			FIGURE 641009C009
			ELECTRICAL CONTROLS ASM, W/FRT MTD CEC - 24
001	1807478C1	0001	MODULE,ELECT. CONTROL-24V
	1807478C1	0001	MODULE,ELECT. CONTROL-24V
002	40050R1	0003	NUT,SPECIAL
	40050R1	0003	NUT,SPECIAL
003	1818231C1	0004	BOLT, M8 X 80 HEX FLANGE
	1818231C1	0004	BOLT, M8 X 80 HEX FLANGE
004	1830531C1	0001	BOLT, M12X1.75-6G PILOT POINT
	1830531C1	0001	BOLT, M12X1.75-6G PILOT POINT
005	30175R1	0003	WASHER, 8.8 X 17 X 2MM PHC
	30175R1	0003	WASHER, 8.8 X 17 X 2MM PHC
006	1829995C92	0001	BRACKET ASSY.,CEC FRONT MOUNT
	1829995C92	0001	BRACKET ASSY.,CEC FRONT MOUNT
007	1830974C1	0001	INSULATOR, CEC SHIPPING
			THE FOLLOWING ARE NON-ILLUSTRATED PARTS
	1831729C1	AR	LUBRICATOR,GREASE,DIELECTRIC
	1831729C1	AR	LUBRICATOR,GREASE,DIELECTRIC
	1831730C1	AR	LUBRICATOR,GREASE 1/4 OZ TUBE
	1831730C1	AR	LUBRICATOR,GREASE 1/4 OZ TUBE
	1831731C1	AR	LUBRICATOR,GREASE 4 OZ TUBE
	1831731C1	AR	LUBRICATOR,GREASE 4 OZ TUBE
	1831746C1	0001	LABEL,INSTL OR INST
	1831746C1	0001	LABEL,INSTL OR INST
			NOTE: ASMS BELOW SERVICED BY ABOVE COMPON
	641009C009		FRONT MTG. CEC NAVPAK 24V



641009L00900 B98

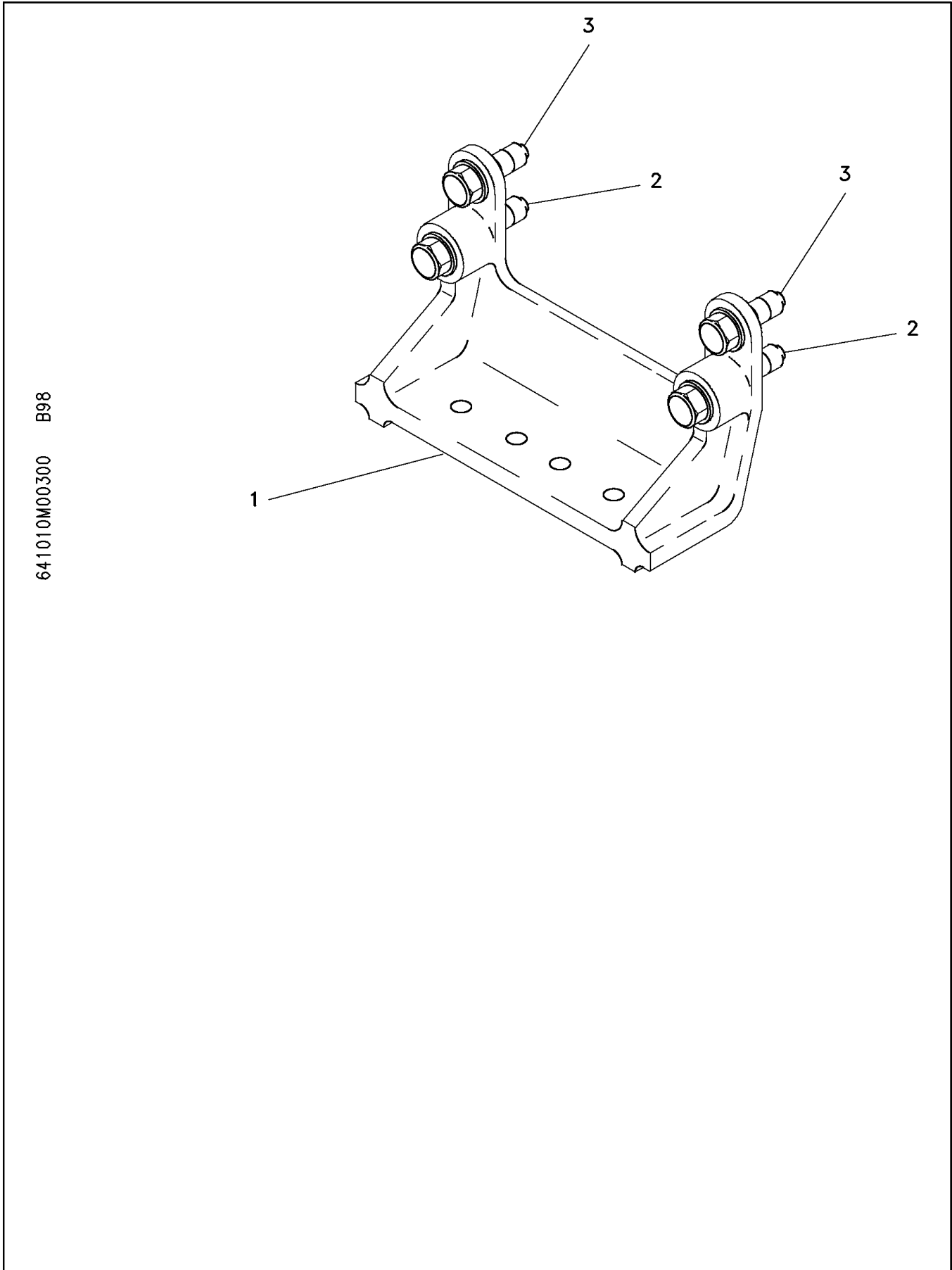
ITEM	PART NUMBER	QTY	DESCRIPTION
001 002 003 004 005 006 007	1822041C1 1822018C1 31083R1 1820590C1 1823809C1 1817993C1 40050R1	0001 0001 0003 0001 0001 0001 0001	FIGURE 641009L009 ALTERNATOR BRACKET - 21SI (HEUI) BRACKET, ALTERNATOR MTG BOLT, M10 X 90MM NUT, M10 X 1.50 6H FN BOLT, M10X120 HEX FLANGE BOLT, M8X120MM(SPEC LONG THD) BOLT, M10 X 80MM NUT, SPECIAL

ITEM	PART NUMBER	QTY	DESCRIPTION
			<p>FIGURE 641009M002 (NON-ILLUSTRATED) ALTERNATOR - DELCO 22SI 24V70A</p>
001	1830535C91	0001	ALTERNATOR,AC
002	1815421C1	0001	PULLEY,ALTERNATOR OR ALTERNATOR
003	25296R1	0001	BOLT, 1/2 X 6-1/2 PHC TYPE 8
004	25526R1	0001	NUT,HEX 1/2 NC TYPE 8
005	26273R1	0003	WASHER,LOCK .531X1.062X .134 P
006	24868R1	0001	BOLT, 1/2 X 4 PHC TYPE 8

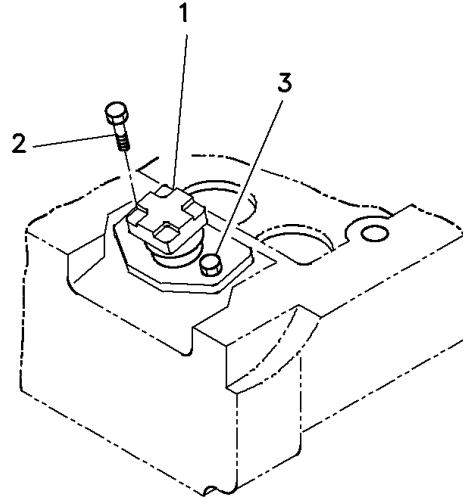


641010L00500 B98

ITEM	PART NUMBER	QTY	DESCRIPTION
			<p>FIGURE 641010L005 FLYWHEEL HOUSING - SAE #3</p>
001	1821971C1	0001	HOUSING,FLYWHEEL SAE#3
002	1822086C1	0002	PIN,DOWEL HOUSING BUSHING
003	1820606C1	0008	BOLT, M12 X 50 HEX FLANGE
004	686702C1	0001	PLATE,CAMSHFT BRG COVER
005	1817953C1	0002	BOLT, M6 X 15 HEX FLANGE

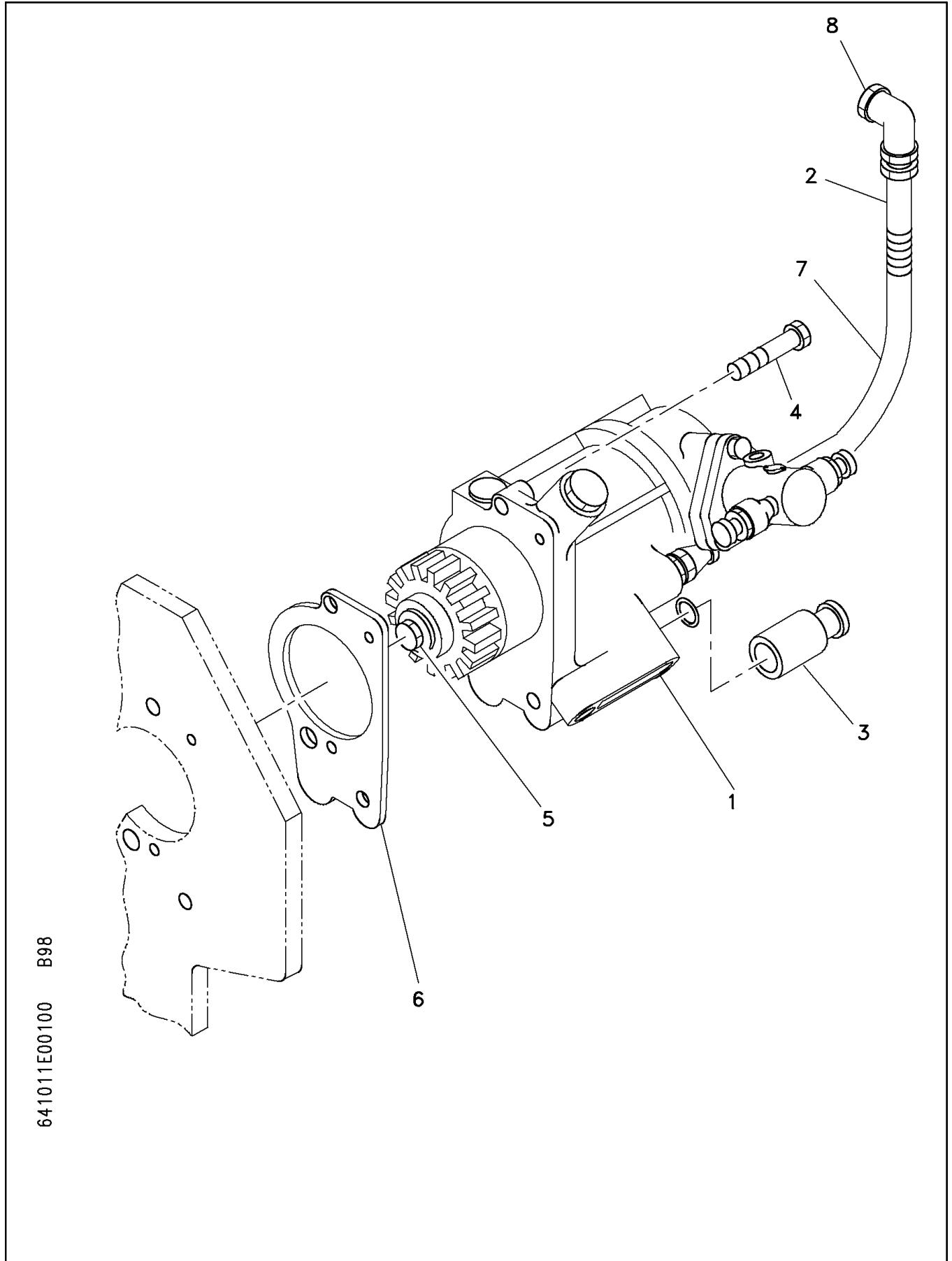


ITEM	PART NUMBER	QTY	DESCRIPTION
001 002 003	1822183C1 1817860C1 1820392C1	0001 0002 0002	FIGURE 641010M003 FRONT ENG MOUNTS - OEM BRACKET,ENG MTG FRONT SGL PT BOLT, M18 X 70MM LONG BOLT, M18 X 100MM LONG



641011C01900 B98

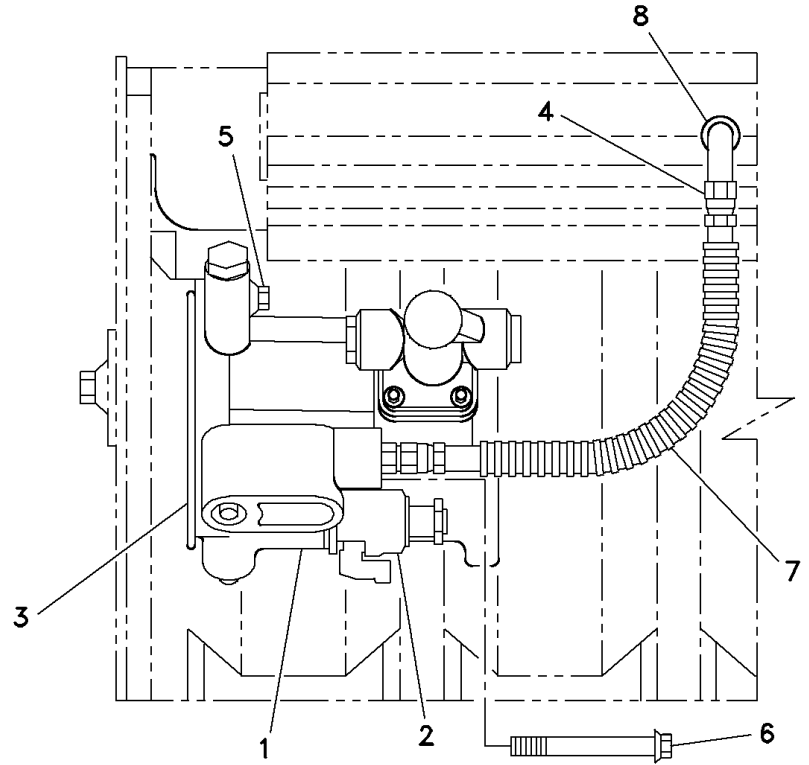
ITEM	PART NUMBER	QTY	DESCRIPTION
			<p>FIGURE 641011C052</p> <p>FUEL INJECTOR</p>
001	1830741C93	0006	INJECTOR, ASM W/SEALS
	1830741C93	0006	INJECTOR, ASM W/SEALS
002	1830050C1	0006	BOLT,INJECTOR
	1830050C1	0006	BOLT,INJECTOR
003	1830051C1	0006	BOLT,SHOULDER
	1830051C1	0006	BOLT,SHOULDER
	1830742C92	KT	PACKAGE, INJECTOR SEALS
	1830742C92	KT	PACKAGE, INJECTOR SEALS
	641011C052		NOTE: ASMS BELOW SERVICED BY ABOVE COMPON FUEL INJ. (I308,466ST)



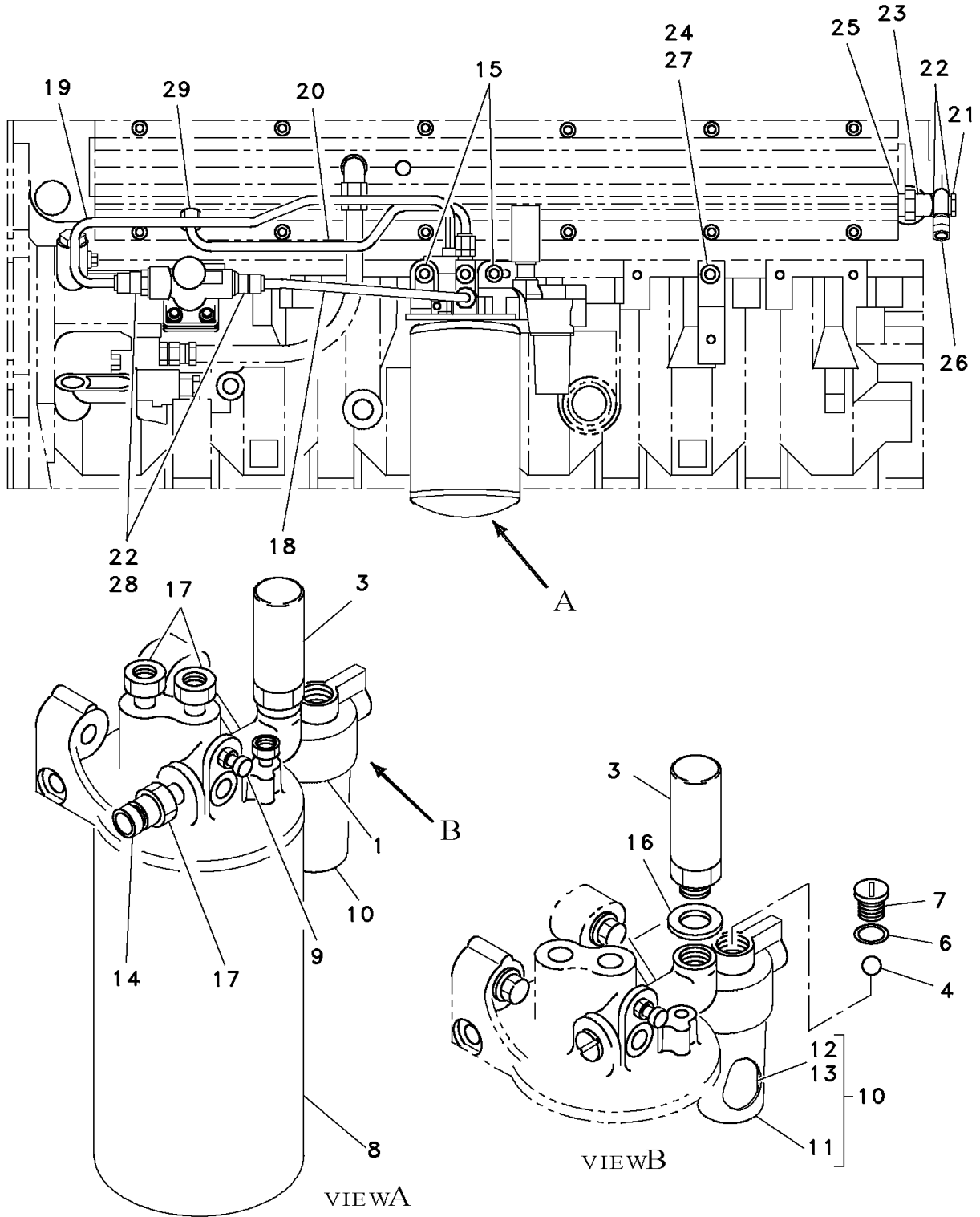
641011E00100 B98

ITEM	PART NUMBER	QTY	DESCRIPTION
			FIGURE 641011E001
			HYDRAULIC FUEL SYSTEM COMPS
001	1825681C94	0001	PUMP ASSY.,HIGH PRESSURE OIL
	1821232C92	0001	PUMP,LOW PRESSURE FUEL SUPPLY
	1819008C1	0001	GASKET,ADAPTER TO CARB
	1824755C1	0001	GASKET,FUEL PUMP
	1817817C1	0003	BOLT, M6 X 1.0 20MM
	1820967C2	0001	GEAR,PUMP
	1818236C1	0001	BOLT, M12 X 30 HEX FLANGE
002	1829802C1	0001	HOSE ASSY.,HIGH PRESSURE
003	1829856C91	0001	REGULATOR,INJ. O.P. CONTROL
	1825249C91	0001	VALVE ASSY,IPR
	1824978C1	0001	NUT,(IPR)
	1825806C91	KT	PACKAGE,IPR SEALS
004	1824752C1	0001	BOLT,M8 X 1.25 X 55MM
005	1818726C1	0001	BOLT, M8 X 70 HEX FLANGE
006	1825685C1	0001	SEAL,REXROTH PUMP FLANGE
007	1822646C1	0001	CONDUIT, CONV.
	1822645C1	0001	CONDUIT, CONV.
008	1825563C91	0001	KA ELBOW ASSY.,37-DEG O-RING BOSS
	9410976	0001	ELBOW,PIPE GIVE SIZE
	1823790C1	0001	RING,O
	1825622C91	KT	PACKAGE,HOSE HIGH PRESSURE
	1825622C91	KT	(CONSISTS OF PARTS DENOTED BY KA)

641011E00200 000



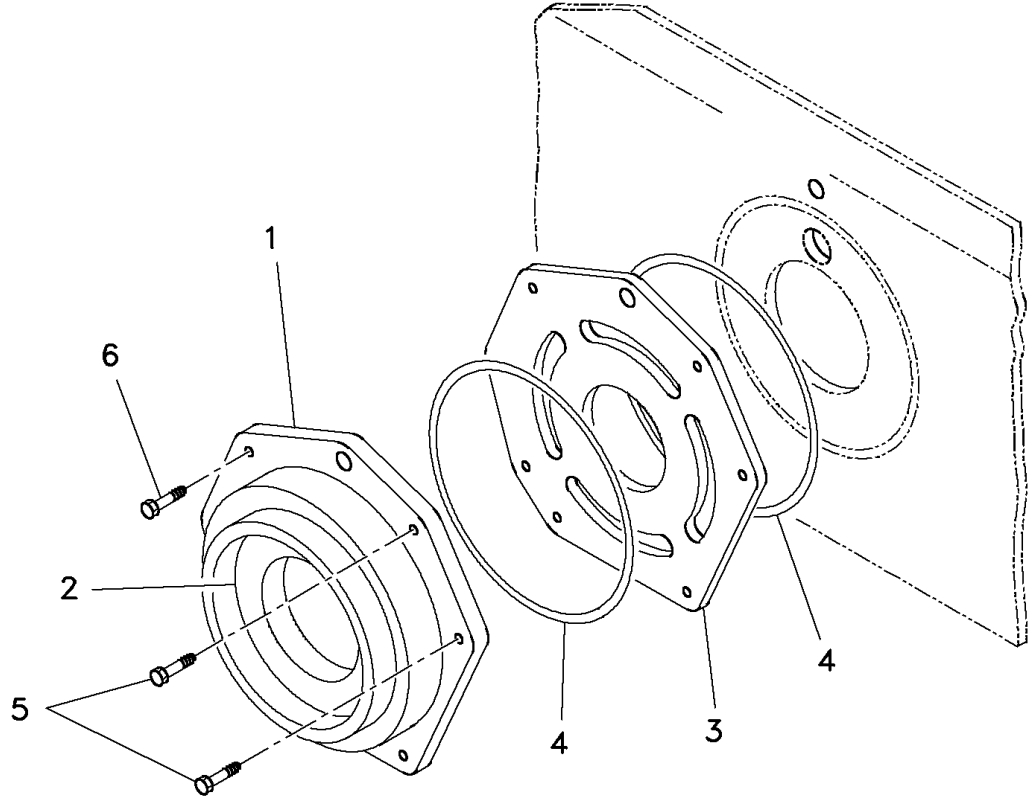
ITEM	PART NUMBER	QTY	DESCRIPTION
			FIGURE 641011E002
			HYDRAULIC FUEL SYSTEM COMPS
001	1830177C91	0001	PUMP,ASM FUEL ELECT
	1821232C92	0001	PUMP,LOW PRESSURE FUEL SUPPLY
	1819008C1	0001	GASKET,ADAPTER TO CARB
	1824755C1	0001	GASKET,FUEL PUMP
	1817817C1	0003	BOLT, M6 X 1.0 20MM
	1820967C2	0001	GEAR,PUMP
	1818236C1	0001	BOLT, M12 X 30 HEX FLANGE
002	1829856C91	0001	REGULATOR,INJ. O.P. CONTROL
003	1825685C1	0001	SEAL,REXROTH PUMP FLANGE
	1825249C91	0001	VALVE ASSY,IPR
	1824978C1	0001	NUT,(IPR)
	1825806C91	KT	PACKAGE,IPR SEALS
004	1829802C1	0001	HOSE ASSY.,HIGH PRESSURE
005	1824752C1	0001	BOLT,M8 X 1.25 X 55MM
006	1818726C1	0001	BOLT, M8 X 70 HEX FLANGE
007	1822646C1	0001	CONDUIT, CONV.
	1822645C1	0001	CONDUIT, CONV.
008	1825563C91	0001	ELBOW ASSY.,37-DEG O-RING BOSS
	9410976	0001	ELBOW,PIPE GIVE SIZE
	1823790C1	0001	RING,O



641011L01600 C98

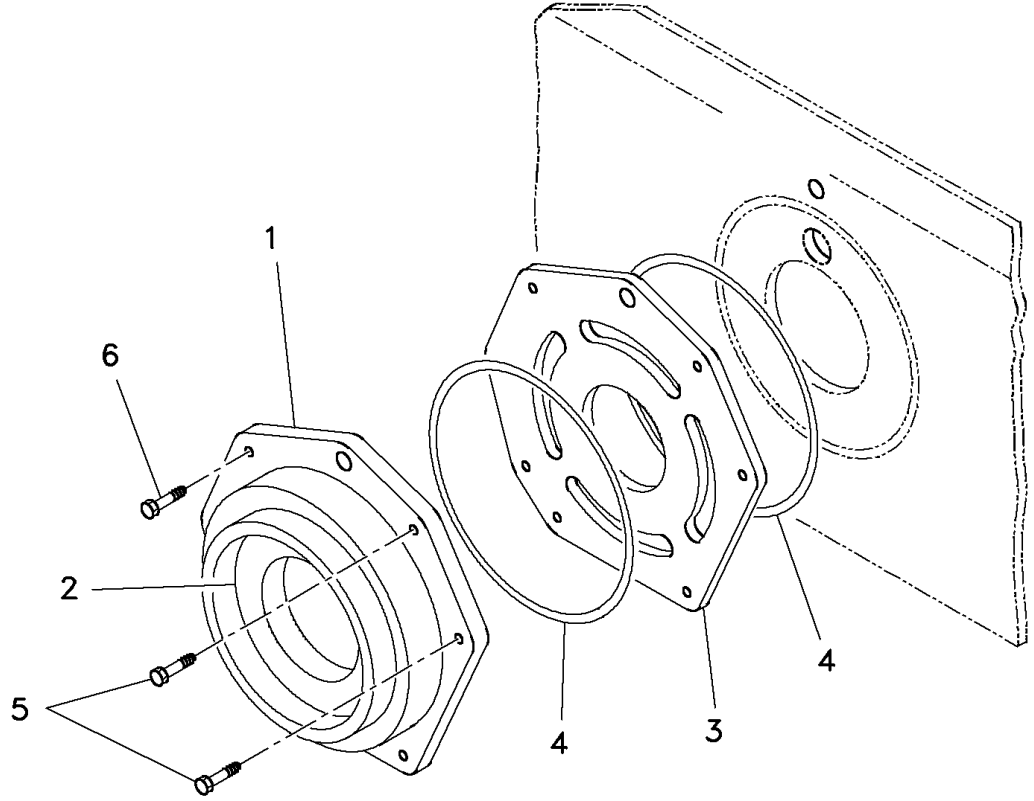
ITEM	PART NUMBER	QTY	DESCRIPTION
			FIGURE 641011L016
			FUEL FILTER AND PIPING - RACOR
001	1825661C93	0001	HEADER ASSY., FUEL FILTER
017	1817978C1	0002	BOLT, M8 X 35 HEX FLG
018	1825520C91	0001	TUBE ASSY.,TRANSFER PUMP IN
	265205R1	0002	NUT,FLEX TUBE
	1812348C1	0002	SLEEVE, 3/8 TUBE -FLEX
	265204R1	0002	SLEEVE,COMP OR FLEX TUBE
019	1825521C93	0001	TUBE ASSY.,TRNSFR PUMP OUTLET
	265205R1	0002	NUT,FLEX TUBE
	1812348C1	0002	SLEEVE, 3/8 TUBE -FLEX
	265204R1	0002	SLEEVE,COMP OR FLEX TUBE
020	1829801C91	0001	TUBE ASSY.,FINAL FILTER OUTLET
	1829832C1	0001	% TUBE,FINAL FILTER OUTLET
	265205R1	0002	NUT,FLEX TUBE
	1812348C1	0002	SLEEVE, 3/8 TUBE -FLEX
	265204R1	0002	SLEEVE,COMP OR FLEX TUBE
	1829832C1	0001	% TUBE,FINAL FILTER OUTLET
	265205R1	0002	NUT,FLEX TUBE
	1812348C1	0002	SLEEVE, 3/8 TUBE -FLEX
	265204R1	0002	SLEEVE,COMP OR FLEX TUBE
021	1810491C1	0001	SCREW,SPECIAL MACH
022	691273C1	0004	WASHER,COPPER
023	1825511C1	0001	VALVE ASSY, REGULATOR
024	1817956C1	0001	BOLT, M8X20MM HEX FLANGE
025	397630C1	0001	GASKET,V PLUG INJ PUMP
026	1809797C1	0001	FITTING,SPECIAL TUBE
027	1823920C1	0001	EXTENSION,CLIP
028	1825467C1	0002	SCREW,HOLLOW-FLEX FITTING
029	1819772C1	0001	FITTING,COMPRESSION SLEEVE
			THE FOLLOWING ARE NON-ILLUSTRATED PARTS
	1835474C1	0001	FITTING,BANJO
	1835473C1	0001	FITTING,BANJO

641013A00100 B98



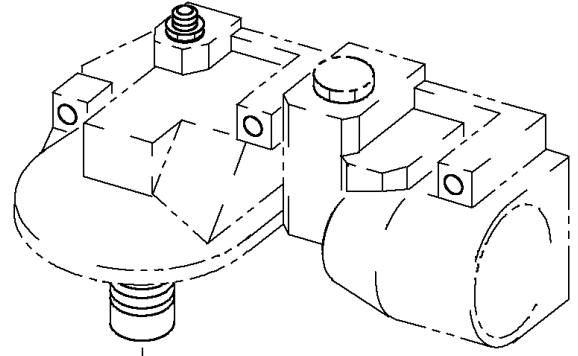
ITEM	PART NUMBER	QTY	DESCRIPTION
			FIGURE 641013A003
			OIL PUMP (I-308,530)
001	1827395C92	0001	% HOUSING,OIL PUMP
002	1827397C91	0001	ROTOR ASSY,OIL PUMP
	1827398C1	0001	% ROTOR,OUTER
	1827399C1	0001	% ROTOR,INNER
003	1827400C1	0001	PLATE,OIL PUMP HOUSING
004	1817862C1	0002	SEAL, OIL PUMP
005	1817859C1	0004	BOLT, M8 X 1.25 6Q 60MM
006	1817957C1	0002	BOLT, M8X25 HEX FLANGE

641013A00100 B98





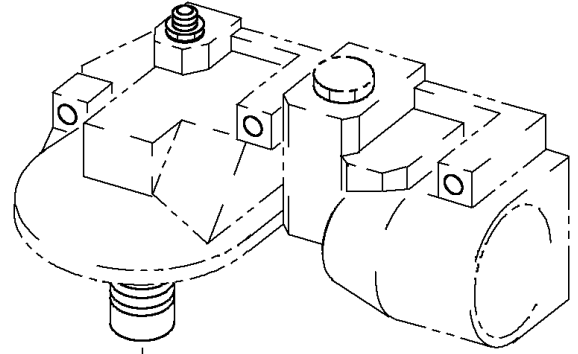
ITEM	PART NUMBER	QTY	DESCRIPTION
			FIGURE 641013A004
			OIL PUMP (I-308, 466)
001	1817625C91	0001	% HOUSING ASY, OIL PMP
	1817625C91	0001	% HOUSING ASY, OIL PMP
	1827476C91	0001	% HOUSING ASSY, OIL PUMP
	1827476C91	0001	% HOUSING ASSY, OIL PUMP
002	1830366C91	0001	% ROTOR ASSY, OIL PUMP
	1830366C91	0001	% ROTOR ASSY, OIL PUMP
	1830368C1	0001	% ROTOR, OUTER
	1830368C1	0001	% ROTOR, OUTER
	1830367C1	0001	% ROTOR, INNER
	1830367C1	0001	% ROTOR, INNER
003	1827400C1	0001	PLATE, OIL PUMP HOUSING
	1827400C1	0001	PLATE, OIL PUMP HOUSING
004	1817862C1	0002	SEAL, OIL PUMP
	1817862C1	0002	SEAL, OIL PUMP
005	1817859C1	0004	BOLT, M8 X 1.25 6Q 60MM
	1817859C1	0004	BOLT, M8 X 1.25 6Q 60MM
006	1817957C1	0002	BOLT, M8X25 HEX FLANGE
	1817957C1	0002	BOLT, M8X25 HEX FLANGE
	641013A004		NOTE: ASMS BELOW SERVICED BY ABOVE COMPON OIL PUMP



1 —————

641013B00100 B98

ITEM	PART NUMBER	QTY	DESCRIPTION
001	1819452C1	0001	<p>FIGURE 641013B001 OIL FILTER - EXC I308 FILTER, LUBE OIL</p>

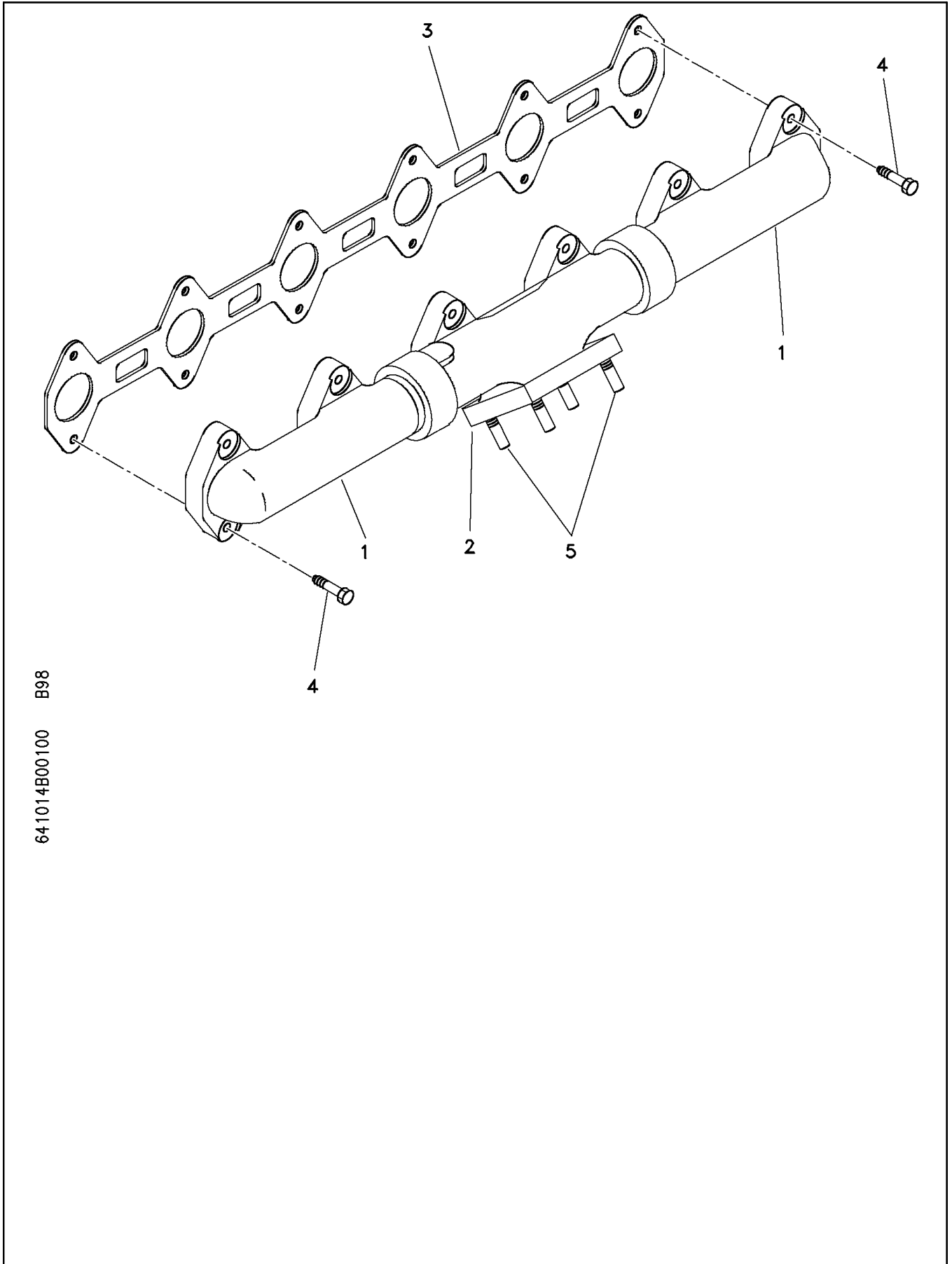


1 —————

641013B00100 B98

ITEM	PART NUMBER	QTY	DESCRIPTION
001	1833121C1	0001	<p>FIGURE 641013B002 OIL FILTER - FOR I308 FILTER, EXTENDED LIFE OIL</p>

ITEM	PART NUMBER	QTY	DESCRIPTION
001	1830622C92	0001	<p>FIGURE 641013C002 (NON-ILLUSTRATED) OIL COOLER AND CONNECTIONS</p>
	1819496C1	0001	<p>COOLER,ASM OIL THE FOLLOWING ARE NON-ILLUSTRATED PARTS ADAPTER, FILTER ELEMENT</p>

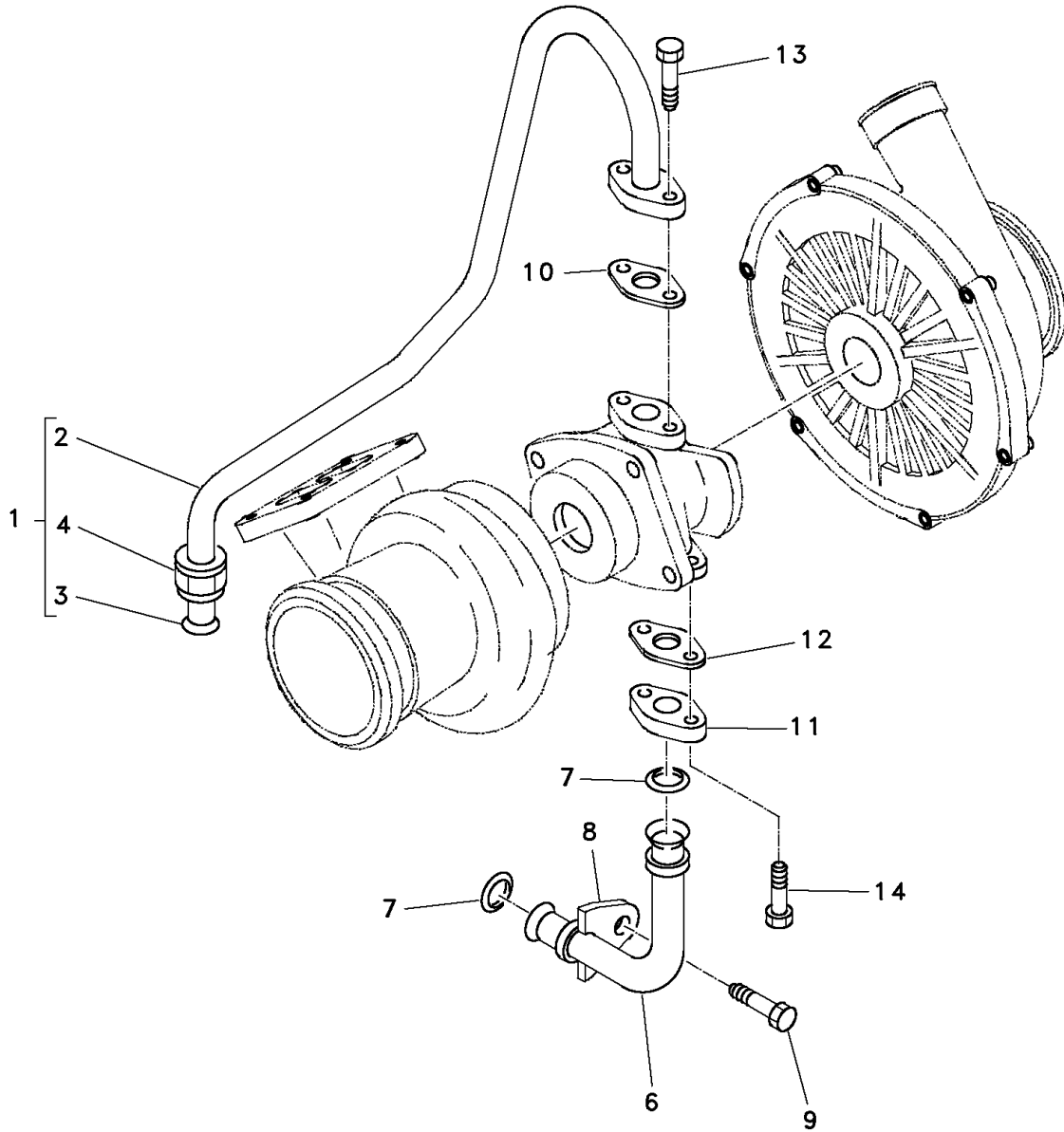


641014B00100 B98

ITEM	PART NUMBER	QTY	DESCRIPTION
			<p>FIGURE 641014B001 EXHAUST MANIFOLD - DOWN MOUNT TURBOCHARG</p>
001	1814149C2	0002	MANIFOLD, EXHAUST FRT/RR
002	1818561C3	0001	MANIFOLD, EXHAUST - CENTER
003	1825436C1	0001	GASKET, EXHAUST MANIFOLD
	1814752C1	0001	GASKET, EXHAUST MANIFOLD
004	1817830C1	0012	BOLT, M12 X 1.75 6Q 35MM
005	1821642C3	0004	STUD, TURBO ADAPTER



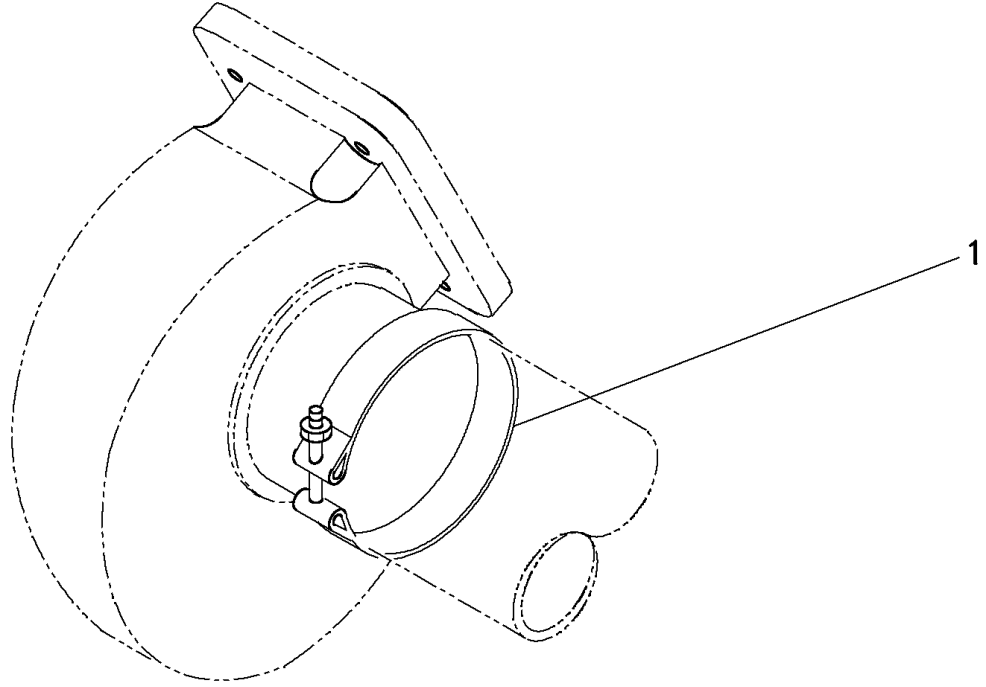
ITEM	PART NUMBER	QTY	DESCRIPTION
			FIGURE 641015A002 (NON-ILLUSTRATED) TURBOCHARGER
001	1822120C1	0001	GASKET,TURBOCHARGER
002	1820945C92	0001	SUPERCHARGER,ASM TURBO NEW
	1825632C91	0001	SUPERCHARGER,ASSY
025	1821648C1	0004	NUT, HF M10 X 1.25
			NOTE: ASMS BELOW SERVICED BY ABOVE COMPON



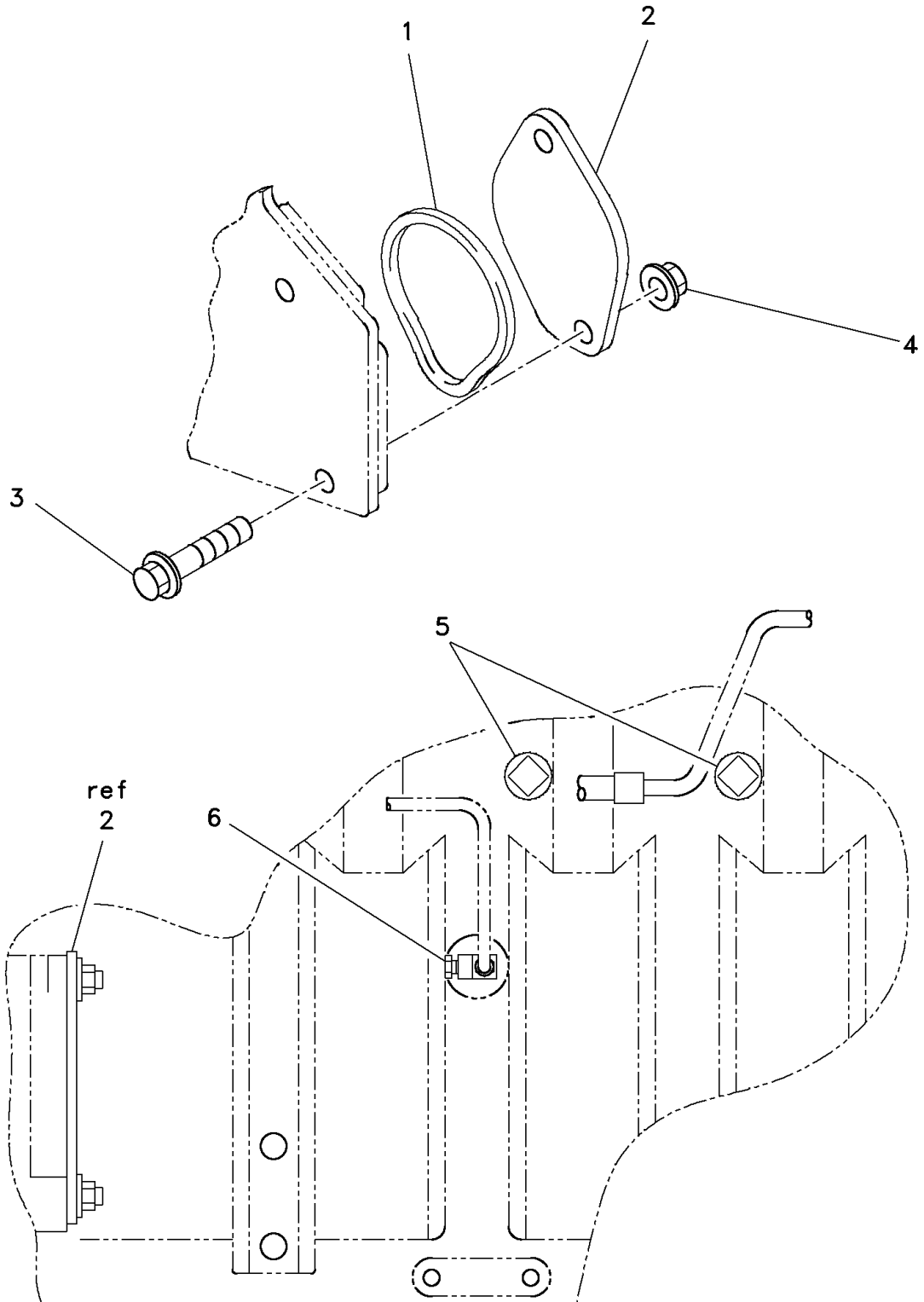
641015D00100 K97

ITEM	PART NUMBER	QTY	DESCRIPTION
			FIGURE 641015D001 TURBOCHARGER OIL AND AIR PIPING
001	1818732C94	0001	TUBE ASSY., TURBO OIL INLET
002	1818733C4	0001	TUBE, TURBO OIL INLET
003	1812348C1	0001	SLEEVE, 3/8 TUBE -FLEX
004	265205R1	0001	NUT,FLEX TUBE
006	1825669C1	0001	TUBE,TURBO OIL DRAIN
007	1818402C2	0002	RING,O
008	1817671C1	0001	BRACKET, OIL COOLER
009	1817978C1	0002	BOLT, M8 X 35 HEX FLG
010	253660R2	0001	GASKET, OIL INLET FLANGE
011	1825667C1	0001	FLANGE,TURBO OIL DRAIN
012	1820936C1	0001	GASKET, TURBO OIL DRAIN
013	1817956C1	0002	BOLT, M8X20MM HEX FLANGE
014	1817812C1	0001	BOLT, M8X16 HEX FLANGE

641015L00100 B98

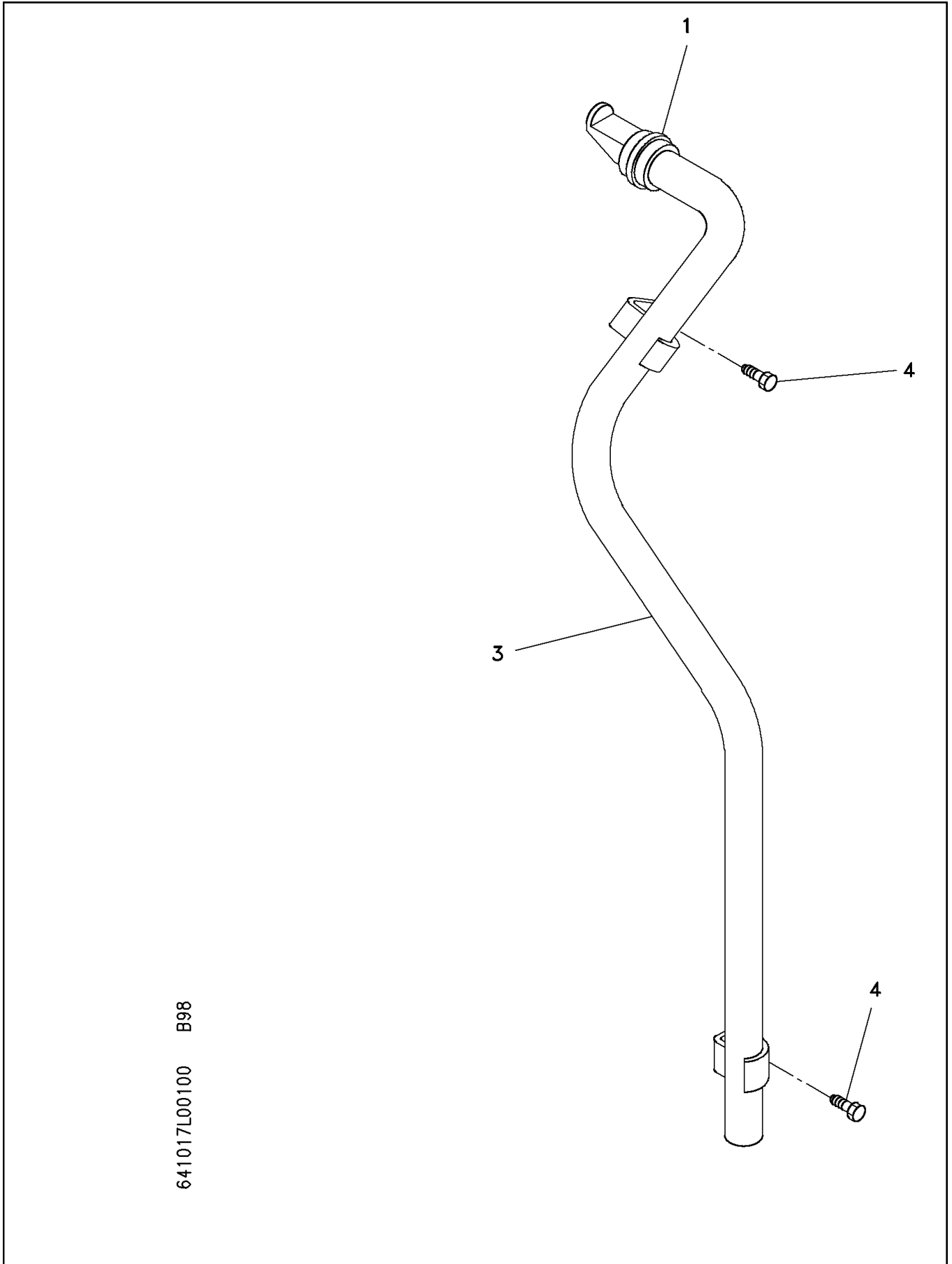


ITEM	PART NUMBER	QTY	DESCRIPTION
001	893944R92	0001	<p>FIGURE 641015L001 TURBOCHARGER EXHAUST CLAMP CLAMP,EXH PIPE TO MANIFOLD</p>



641016L00100 G98

ITEM	PART NUMBER	QTY	DESCRIPTION
			FIGURE 641016L001
			AIR COMPRESSOR COVER
001	1818727C1	0001	GASKET, AIR COMP COVER
002	1818432C1	0001	PLATE, AIR COMP COVER
003	1817969C1	0002	BOLT, M12 X 1.75
004	31084R1	0002	NUT, M12 CLASS 10 PHC FLG
005	445751	0002	PLUG, 1/2-14 PLN SQ/SKT AUTO P
006	444613	0001	PLUG, 1/8-27 ZNP H/HD AUTO PIP
	444612	0001	PLUG, 1/8-27 PLN H/HD AUTO PIP

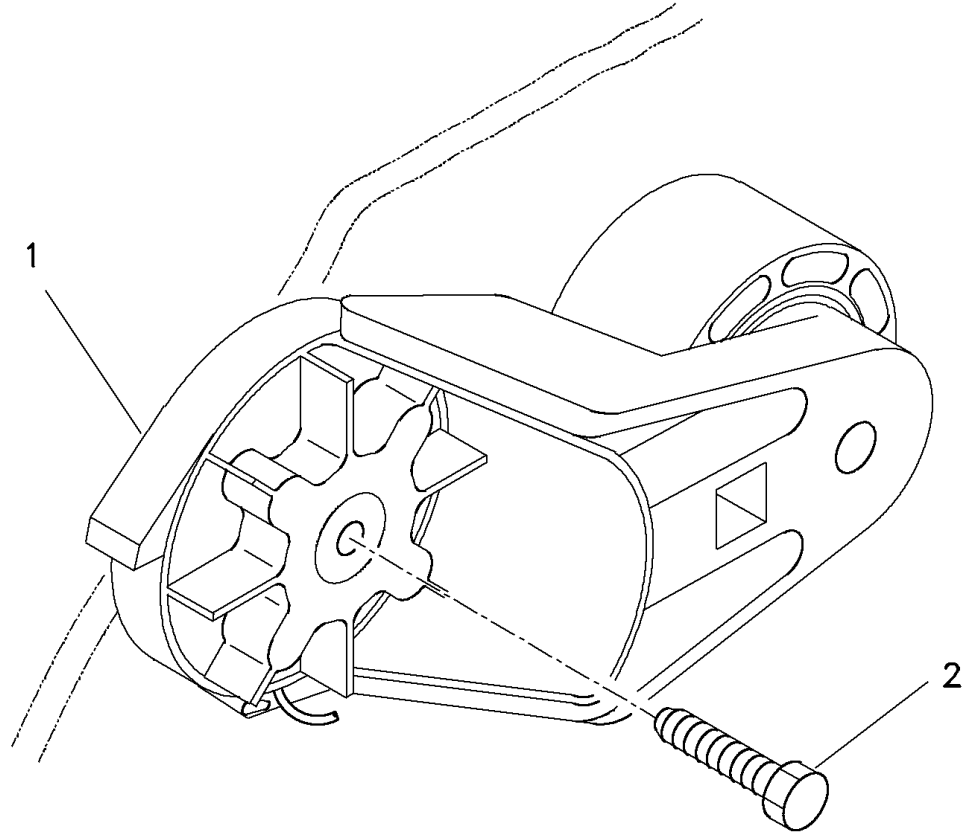


641017L00100 B98



ITEM	PART NUMBER	QTY	DESCRIPTION
			FIGURE 641017L002 SIDE VENTILATOR TUBE, EXC R.E. BUS
001	1822135C1	0001	KA, KB RING, VENT TUBE "O"
003	1827220C1	0001	% TUBE ASSEMBLY,BREATHER
004	1818233C1	0002	BOLT, M10 X 20 HEX FLGE
	1830187C91	KT	PACKAGE,BREATHER TUBE
	1830187C91	KT	(CONSISTS OF PARTS DENOTED BY KA)
	1830188C91	KT	PACKAGE,BREATHER TUBE
	1830188C91	KT	(CONSISTS OF PARTS DENOTED BY KB)

641020B00200 B98



ITEM	PART NUMBER	QTY	DESCRIPTION
001 002	1830033C1 1817993C1	0001 0001	<p>FIGURE 641020B002</p> <p>AUTO TENSIONER</p> <p>PULLEY ASSEMBLY, AUTOMATIC BOLT, M10 X 80MM</p>