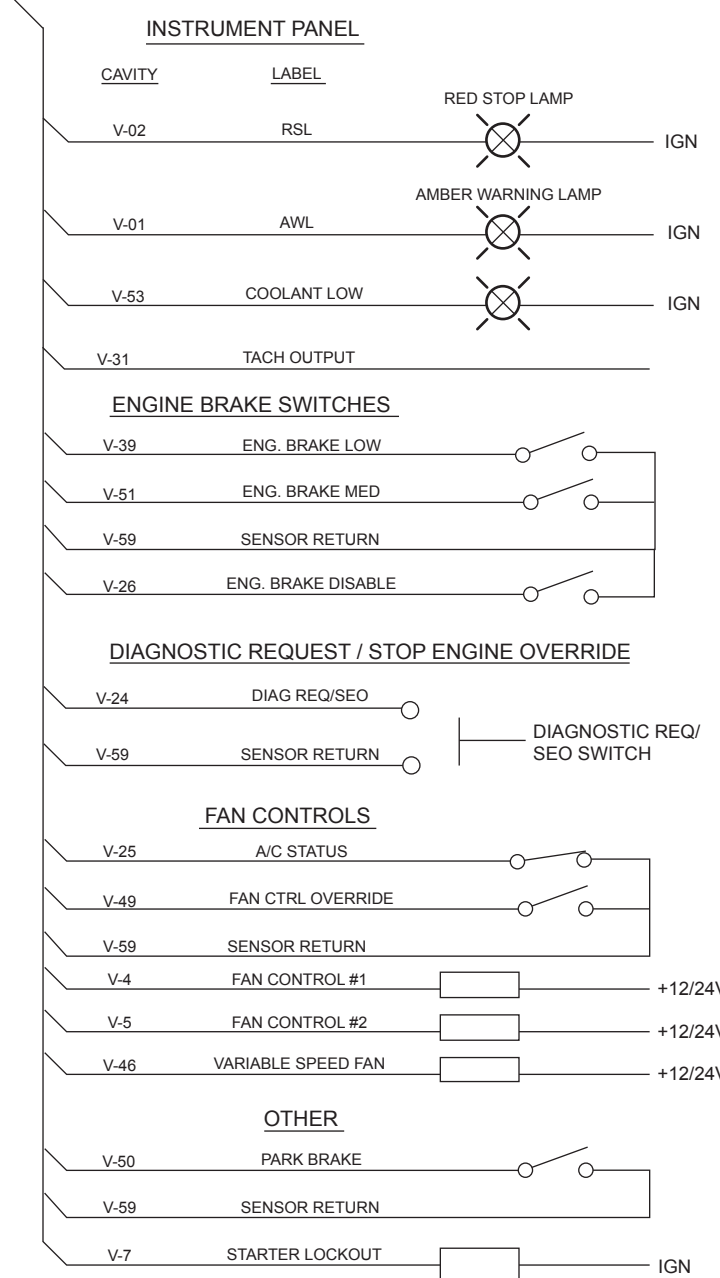
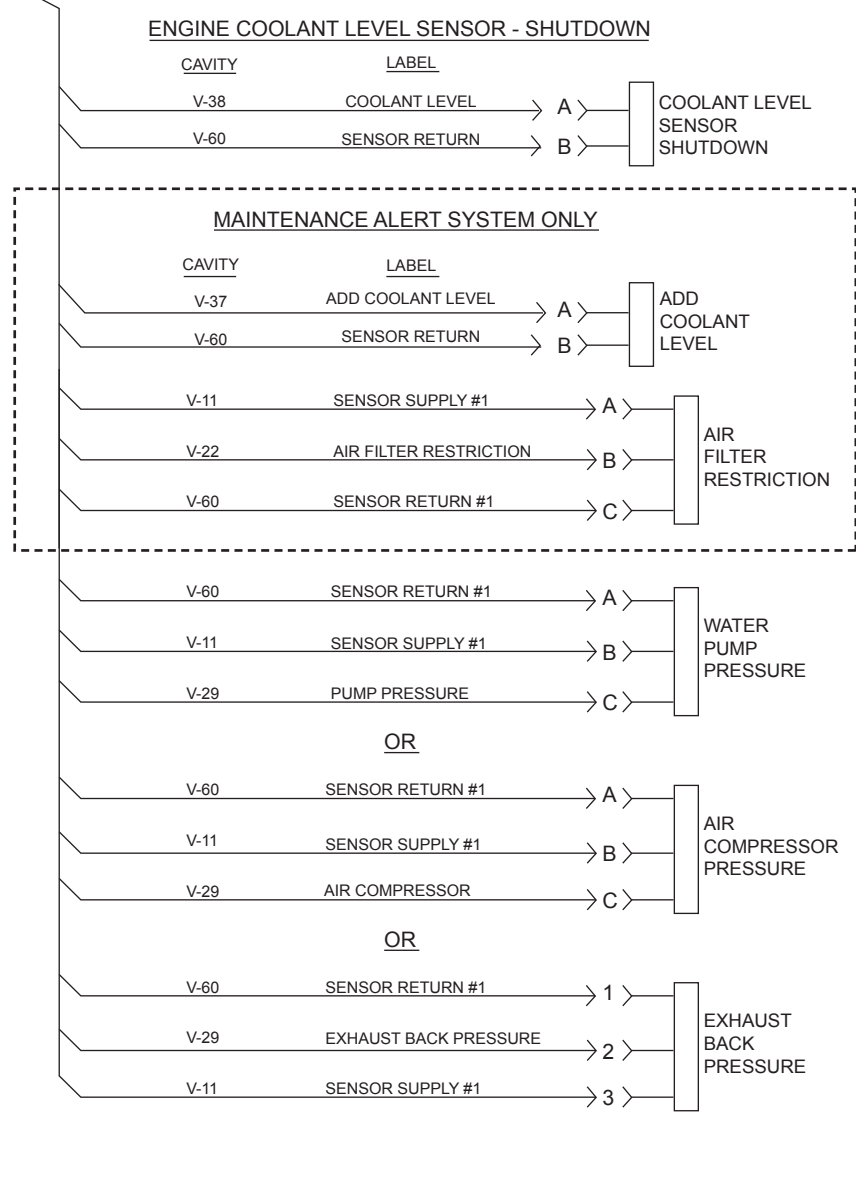
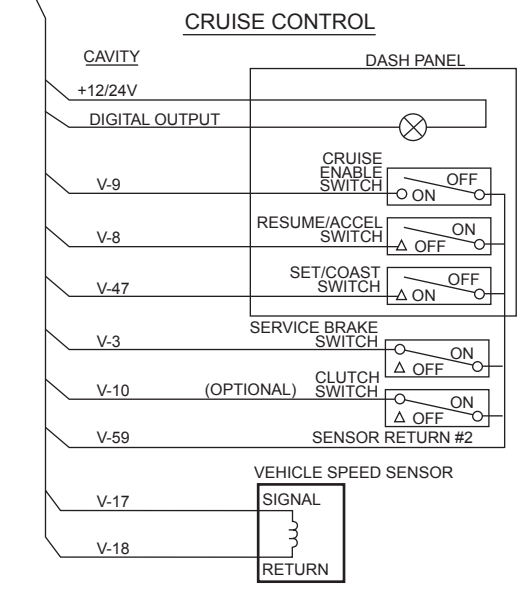
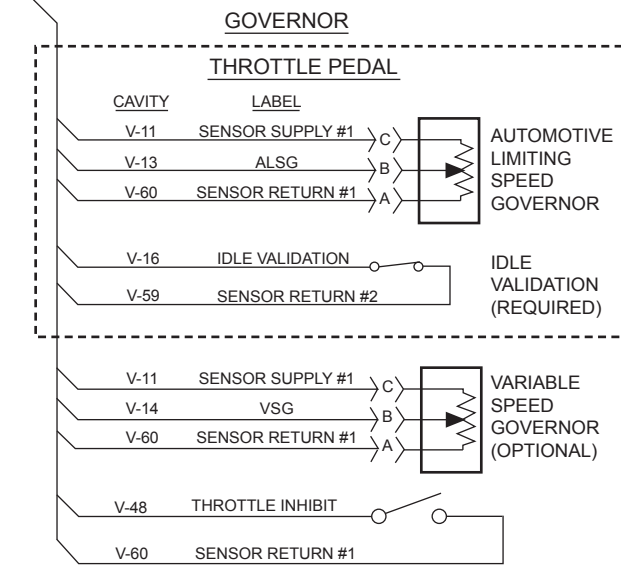
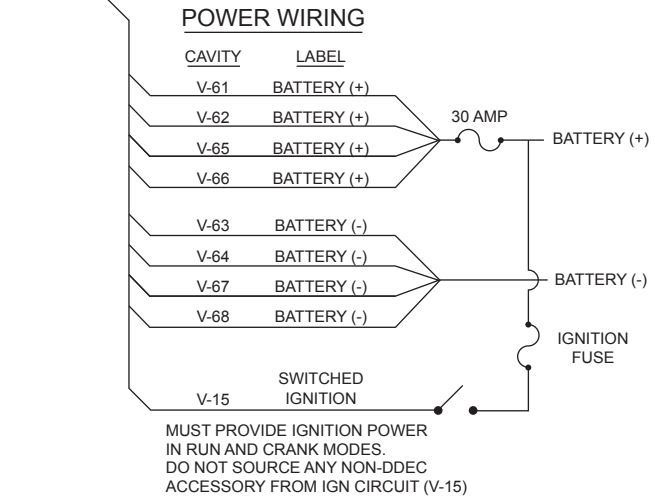
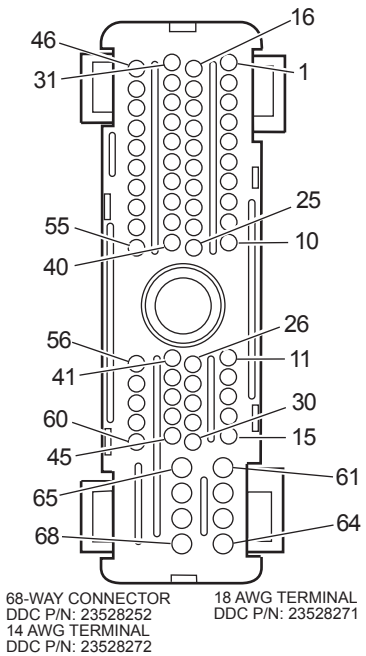


**LABEL**                      **CAVITY**

AMBER WARNING LAMP	V-1
RED STOP LAMP	V-2
SERVICE BRAKE RELEASED	V-3
FAN CONTROL #1	V-4
FAN CONTROL #2	V-5
DIGITAL OUTPUT	V-6
STARTER LOCKOUT	V-7
RESUME/ACCEL	V-8
CRUISE ENABLE	V-9
SPARE	V-10
SENSOR SUPPLY #1	V-11
SENSOR SUPPLY #2	V-12
THROTTLE POSITION	V-13
VSG	V-14
IGNITION	V-15
IDLE VALIDATION	V-16
VEHICLE SPEED SENSOR (+)	V-17
VEHICLE SPEED SENSOR (-)	V-18
NO CONNECTION	V-19
NO CONNECTION	V-20
NO CONNECTION	V-21
AIR FILTER RESTRICTION	V-22
EXHAUST TEMPERATURE	V-23
SEO/DIAG REQUEST	V-24
A/C STATUS	V-25
ENGINE BRAKE DISABLE	V-26
SPARE	V-27
NO CONNECTION	V-28
EXHAUST BACK PRESSURE OR	V-29
WATER PUMP PRESSURE OR	
AIR COMPRESSOR PRESSURE	
NO CONNECTION	V-30
TACHOMETER	V-31
FREQUENCY - SPARE	V-32
FREQUENCY - SPARE	V-33
NO CONNECTION	V-34
NO CONNECTION	V-35
NO CONNECTION	V-36
ADD COOLANT LEVEL	V-37
COOLANT LEVEL - SHUTDOWN	V-38
ENGINE BRAKE LOW	V-39
DIGITAL OUTPUT	V-40
AUX SHUTDOWN #1	V-41
SPARE	V-42
J 1939 DL (+)	V-43
J 1939 DL SHIELD	V-44
NO CONNECTION	V-45
VARIABLE SPEED FAN	V-46
SET/COAST	V-47
THROTTLE INHIBIT	V-48
FAN CONTROL OVERRIDE	V-49
PARK BRAKE	V-50
ENG BRAKE MED	V-51
PWM OUTPUT	V-52
COOLANT LEVEL LOW LAMP	V-53
NOT USED	V-54
SPARE	V-55
J 1587 +	V-56
J 1587-	V-57
J 1939 DL (-)	V-58
SENSOR RETURN #2	V-59
SENSOR RETURN #1	V-60
+12V / +24V	V-61
+12V / +24V	V-62
BATTERY GROUND	V-63
BATTERY GROUND	V-64
+12V / +24V	V-65
+12V / +24V	V-66
BATTERY GROUND	V-67
BATTERY GROUND	V-68



**DIAGNOSTIC CONNECTOR**

CAVITY	DDC CONNECTOR	LABEL
-	A	GND
-	B	+12/24 V
V-43	C	J 1939 DATA LINK (+)
V-58	D	J 1939 DATA LINK (-)
V-44	E	J 1939 SHIELD
V-56	F	J 1587 DATA LINK (+)
V-57	G	J 1587 DATA LINK (-)
-	H	PLUG
-	J	PLUG

CONNECTOR DEUTSCH P/N: HD10-9-1939P DDC P/N: 23529496  
CAVITY PLUG DEUTSCH P/N: 114017 DDC P/N: 23507136  
TERMINAL DEUTSCH P/N: 0460-202-16141 DDC P/N: 23507132  
CONNECTOR COVER DEUTSCH P/N: HDC16-9 DDC P/N: 23529497

# DDEC V VEHICLE INTERFACE HARNESS (NON-ROAD EQUIPMENT)