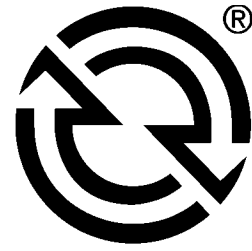


DETROIT DIESEL



SERIES 60® 2007 Service Information

NUMBER: 08 60-9 **S.M. REF.:** 2.9 **ENGINE:** EPA07 Series 60 **DATE:** November 2008

SUBJECT: DDEC VI MOTOR CONTROL MODULE

PUBLICATION: DDC-SVC-MAN-0005

DDEC VI Motor Control Module (MCM) fuel cooler has been removed from the EPA07 Series 60 engine effective October 27, 2008.

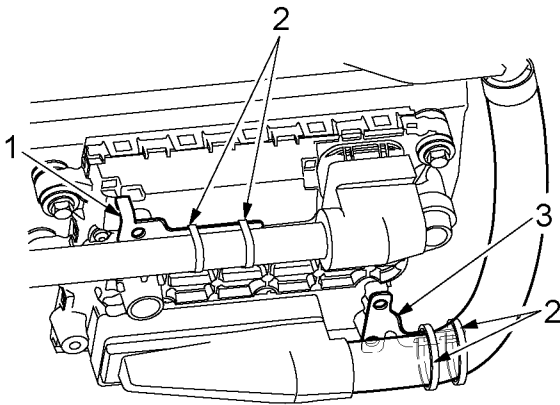
2.9.3 REMOVAL OF THE DDEC VI MOTOR CONTROL MODULE WITHOUT FUEL COOLER

Perform the following steps for MCM removal:

NOTE:

If replacing the MCM, before removal, export and save the MCM parameters. You will need to import these parameters in the new MCM after it is installed on the vehicle.

1. Shut off engine and apply the parking brake, chock the wheels, disconnect vehicle battery power, and perform any other applicable safety steps.
2. Cut the tie straps (2) that attach harness to the bracket(s) (1, 3). See Figure 3



46834

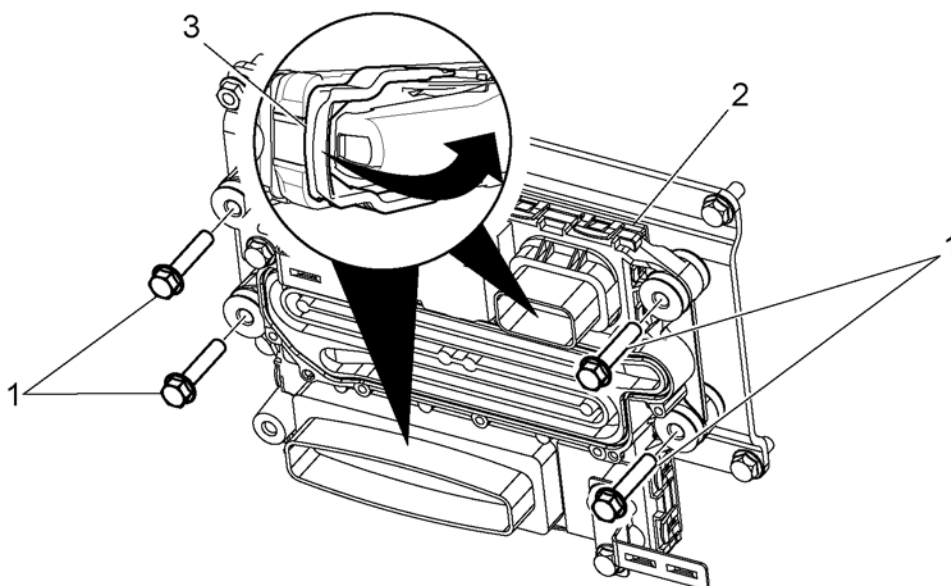
1. Bracket

2. Tie Straps

3. Bracket

Figure 1 Tie Straps on Harness

3. Release the harness connector latches (3) removing the 120 and 21-pin connectors from the MCM (2). See Figure 2.



d470083

1. Bolts (4)

3. Harness Latch

2. Motor Control Module

Figure 2 Harness Latches and Bolts

4. Remove the four bolts (1) holding the MCM (2) to the engine. Remove the MCM (2) from engine.

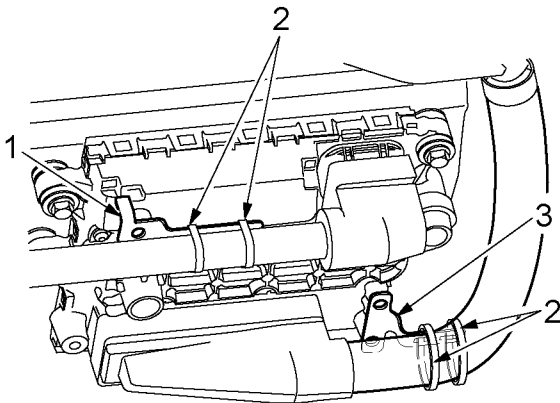
2.9.5 INSTALLATION OF THE DDEC VI MOTOR CONTROL MODULE WITHOUT FUEL COOLER

Perform the following steps for MCM installation:

NOTE:

If installing a new MCM after installation, program to proper settings for the Engine Serial Number (ESN) using the programming station.

1. Mount the MCM to the engine.
2. Install the MCM to the engine with four bolts. Torque the MCM to engine bolts to 34 N·m (25 lb·ft).
3. Connect the 120 and 21-pin engine harness connectors to the MCM. Close and lock latch on the connectors.
4. Install tie straps (2) onto harness. See Figure 3.



46834

1. Bracket

2. Tie Straps

3. Bracket

Figure 3 Tie Straps on Harness

5. Reconnect vehicle battery power.

6. Turn the ignition to the ON position. Observe DDDL for any diagnostic code(s). If any code(s) other than code 25 is logged, refer to the *Series 60 DDEC VI Troubleshooting Guide* (DDC-SVC-MAN-0009).

 **WARNING:**
ENGINE EXHAUST

To avoid injury from inhaling engine exhaust, always operate the engine in a well-ventilated area. Engine exhaust is toxic.

7. Start the engine, and verify repairs.

ADDITIONAL SERVICE INFORMATION

Additional service information is available in the Detroit Diesel *Series 60 Service Manual*, (DDC-SVC-MAN-0005). The next revision to this manual will include the revised information.

DETROIT DIESEL
CORPORATION



13400 Outer Drive, West / Detroit, Michigan 48239-4001
Telephone: 313-592-5000
www.detroitdiesel.com