



## 20V4000M93L Application: Marine Additional retainer for fuel filter head

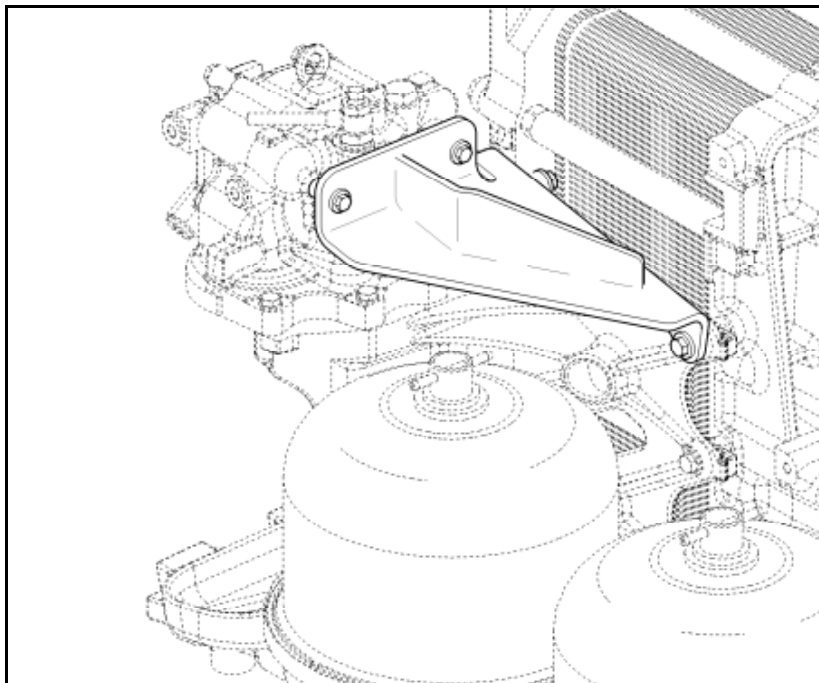
Group 083

EN

<input type="checkbox"/> Campaign	<input checked="" type="checkbox"/> Modification	<input type="checkbox"/> Service Information letter
Valid from: 2015-05-13	<input checked="" type="checkbox"/> Action required	<input type="checkbox"/> For information only
<input type="checkbox"/> Worldwide or	<input checked="" type="checkbox"/> North America	<input type="checkbox"/> China
	<input type="checkbox"/> Latin America	<input type="checkbox"/> Northeast Asia
	<input type="checkbox"/> Eastern Europe / CIS	<input type="checkbox"/> Southeast Asia
	<input checked="" type="checkbox"/> Mediterranean	<input type="checkbox"/> Australia / Pacific
	<input checked="" type="checkbox"/> Northern / Central Europe	
	<input checked="" type="checkbox"/> Turkey, Middle East, Africa	
<input type="checkbox"/> Sales	<input checked="" type="checkbox"/> Spare Parts	<input type="checkbox"/> Special circular
	<input checked="" type="checkbox"/> Warranty	<input type="checkbox"/> Operator Information
	<input checked="" type="checkbox"/> Service	
	<input checked="" type="checkbox"/> OEM Information	

### Reason for information

Vibrations in engine operation may cause the securing screw of the retainer for the fuel filter head to fracture at the connection to the seawater cooler (heat exchanger). As a remedial action, an additional retainer mounted on the seawater cooler must be installed on the engines appearing in reference list 1. On the engines appearing in reference list 2, the retainer on the fuel filter head and the additional retainer on the seawater cooler must be installed.



### Time schedule



The engines appearing in reference lists must be converted when the next service operations will be carried out, or in the course of the next scheduled maintenance.

Engines which have not yet been put into operation must be converted prior to commissioning.

Action is valid until: until 06.2016.



20V4000M93L Application: Marine

Additional retainer for fuel filter head

Group 083

EN

## Parts required

For retrofitting of the engines appearing in reference list 1 only kit No. M596014.021 is required.  
For retrofitting of the engines appearing in reference list 2, both kits (M527008.018 and M596014.021) are required.

### Content of kit M596014.021:

Pos.	Qty. per engine	Material No.	Designation	Remarks	Fig.
1	1	X52808300056	Retainer		1
2	2	X52607700003	Retainer		1
3	2	304017008083	Hex screw	M 8 X 30 8.8	1
4	1	X52899100792	Block		1
5	2	007349008002	Washer		1
6	2	304017008085	Hex screw	M 8 X 40 8.8	1
7	1	000000003322	Hex screw	M 10 X 90 8.8	2
8	1	304017010015	Hex screw	M 10 X 60 8.8	2
9	2	304017008086	Hex screw	M 8 X 45 8.8	2

### Content of kit M527008.018:

Pos.	Qty. per engine	Material No.	Designation	Remarks
1	1	X59508300004	Retainer	
2	1	000000003322	Hex screw	M 10 X 90 8.8
3	1	304017010015	Hex screw	M 10 X 60 8.8
4	2	007349010002	Washer	
5	2	5511530450	Spacer	
6	2	007349008002	Washer	
7	2	304017008086	Hex screw	M 8 X 45 8.8

## Tools



Tools for removal and installation as well as necessary component remanufacturing, if required, in accordance with tool catalog.

## Documents



Valid, relevant operating instructions / spare parts catalog / workshop manual / tool catalog.

## Installation

1. Due to the confined space, the existing retainer (X) must be removed to install the additional retainer on the seawater cooler.
2. Install the additional retainer Pos. 1/2 on the seawater cooler, do not yet tighten the screws.
3. Install retainer (X) with new screws Pos. 7 to 9 and tighten all screws.



The operations involved must be carried out by authorized, specialist personnel in compliance with all relevant safety regulations and precautions.



## Time required



Labor time: Approx. 2 hours per engine.

## Recovery of costs

1. Costs incurred may be recovered from MTU by submitting a claim via the warranty system.
2. Conversion should be carried out in conjunction with service work. The parts used must be listed as M-kits in the warranty system. Individually itemized lists are not permissible.

Claim Type:	04 – Corrective Action
PFP:	304017010015 SECHSKANTSCHRAUBE / HEX SCREW
Measure:	4000-14/M0577
Labor Time Code:	X00069880
Action Code:	(n.a.)

## Disposal of parts

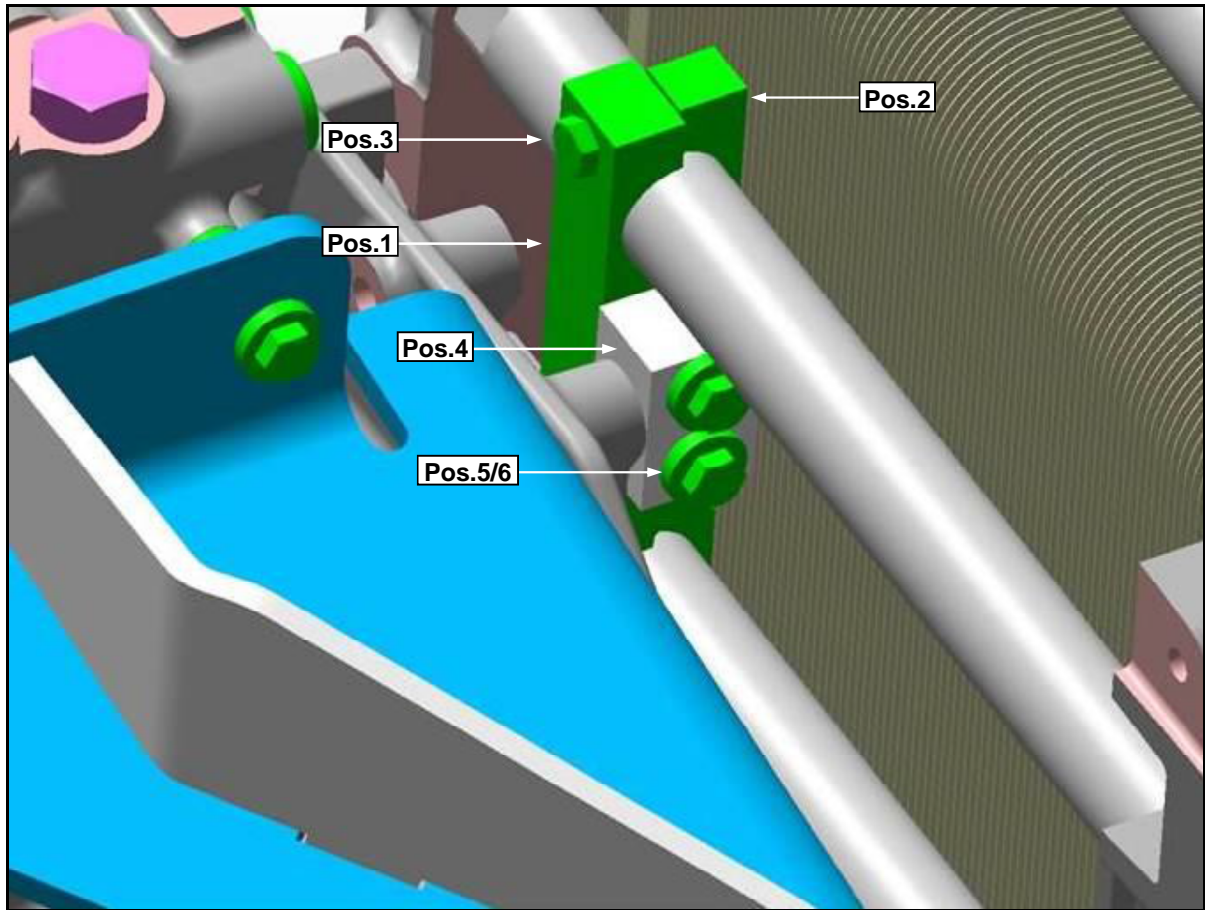
Parts which have been removed must be scrapped on site.

## Registration

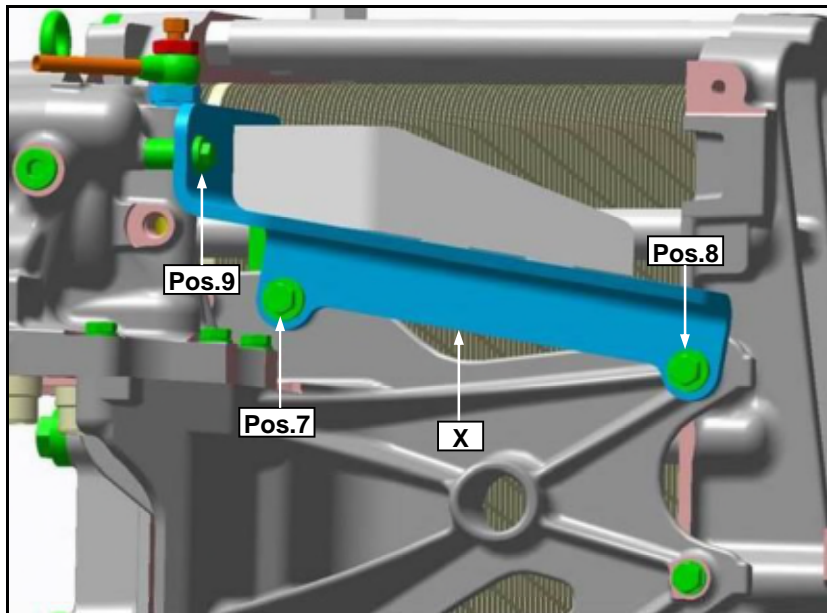
Engines which have been converted should be registered immediately with MTU using the Business Portal.



1



2





Motor Nr. Engine No.	Auftrag Order No.	ErzeugnisTyp Product type	Best. Orderer	EndA EndU	Schiffsname Vessel Name
528102547	130336310	20V4000M93L	US	US	FRC 1117
528102548	130336310	20V4000M93L	US	US	FRC 1117
528102620	1303420000	20V4000M93L	US	US	US COAST GUARD
528102623	1303420000	20V4000M93L	US	US	FRC 1118
528102629	1303420000	20V4000M93L	US	US	USG-CHESAPEAKE- USCGFC
528102635	1303420000	20V4000M93L	US	US	FRC 1116
528102647	1303391000	20V4000M93L	US	US	FRC 1116
528102648	1303391000	20V4000M93L	US	US	USG-CHESAPEAKE- USCGFC
528102691	1303392000	20V4000M93L	US	US	FRC ENGINE IN REPAIR
528102692	1303392000	20V4000M93L	US	US	FRC 1111 (USCG TRUMP)
528102711	1199144000	20V4000M93L		DE	
528102723	1303393000	20V4000M93L	US	US	US COAST GUARD
528102724	1303393000	20V4000M93L	US	US	FRC 1118
528102872	1304380000	20V4000M93L	US	US	FRC 1115
528102909	1304380000	20V4000M93L	US	US	FRC 1115
528102958	1304384000	20V4000M93L	US	US	US COAST GUARD
528102970	1304384000	20V4000M93L	US	US	US COAST GUARD
528102979	1304398000	20V4000M93L	US	US	FRC 1109 (USCG MOORE)
528102984	1304398000	20V4000M93L	US	US	FRC 1114
528102991	1304398000	20V4000M93L	US	US	FRC 1119
528102994	1304398000	20V4000M93L	US	US	FRC 1109 (USCG MOORE)
528103030	1304386000	20V4000M93L	US	US	FRC 1120
528103031	1304386000	20V4000M93L	US	US	FRC 1120
528103083	1304389000	20V4000M93L	US	US	FRC-SPARE ENGINE
528103084	1304389000	20V4000M93L	US	US	FRC-SPARE ENGINE
528103180	1199189000	20V4000M93L		DE	
528103210	1304392000	20V4000M93L	US	US	FRC 1111 (USCG TRUMP)
528103212	1304392000	20V4000M93L	US	US	FRC 1119
528103299	1304394000	20V4000M93L	US	US	FRC 1122
528103300	1304394000	20V4000M93L	US	US	FRC 1122
528103323	1106628000	20V4000M93L			
528103324	1106628000	20V4000M93L			



Motor Nr. Engine No.	Auftrag Order No.	ErzeugnisTyp Product type	Best. Orderer	EndA EndU	Schiffsname Vessel Name
528101371	1301788000	20V4000M93L	US	US	FRC-TRAINING ENGINE
528101376	748189000	20V4000M93L	NL	IT	QUINTA ESSENTIA
528101377	748189000	20V4000M93L	NL	IT	QUINTA ESSENTIA
528101409	749889000	20V4000M93L	US	LB	MV. RIVERHAWK
528101410	749889000	20V4000M93L	US	LB	MV. RIVERHAWK
528101458	750039000	20V4000M93L	US	US	BOLLINGER SHIPYARDS
528101459	750039000	20V4000M93L	US	US	BOLLINGER SHIPYARDS
528101631	1300702000	20V4000M93L	US	US	BOLLINGER SHIPYARDS, INC.
528101632	1300702000	20V4000M93L	US	US	BOLLINGER SHIPYARDS, INC.
528101700	1300750000	20V4000M93L	US	US	BOLLINGER SHIPYARDS, INC.
528101701	1300750000	20V4000M93L	US	US	BOLLINGER SHIPYARDS, INC.
528101772	1300751000	20V4000M93L	US	US	USCG FRC 1104 ROBERT YERED
528101773	1300751000	20V4000M93L	US	US	USCG FRC 1104 ROBERT YERED
528101918	1301607000	20V4000M93L	US	US	USCG FRC 1105 MARGARET NOVEL
528101919	1301607000	20V4000M93L	US	US	USCG FRC 1105 MARGARET NOVEL
528101998	1301656000	20V4000M93L	US	US	USCG FRC 1106 PAUL CLARK
528101999	1301656000	20V4000M93L	US	US	USCG FRC 1106 PAUL CLARK
528102055	1301555000	20V4000M93L	US	US	FRC 1114
528102056	1301555000	20V4000M93L	US	US	USCG FRC 1103 / W.FLORES
528102057	1301555000	20V4000M93L	US	US	CG COMMERCIAL INVOICES
528102058	1301555000	20V4000M93L	US	US	USCG FRC 1102RICHARD ETHERID
528102112	1301657000	20V4000M93L	US	US	USCG FRC 1107 CHARLES DAVID
528102113	1301657000	20V4000M93L	US	US	USCG FRC 1107 CHARLES DAVID
528102247	1301658000	20V4000M93L	US	US	FRC 1108 (USCG SEXTON)
528102248	1301658000	20V4000M93L	US	US	FRC 1108 (USCG SEXTON)
528102284	1102102000	20V4000M93L	NL	NL	GALACTICA STAR
528102285	1102102000	20V4000M93L	NL	NL	YT. GALACTICA STAR
528102682	1200939000	20V4000M93L	SG	MU	MOPV
528102683	1200939000	20V4000M93L		MU	MOPV