

# Thermo Plastic Tank Heater

## Single Phase with Thermostat

### (500-2000 Watts/120V&240V)



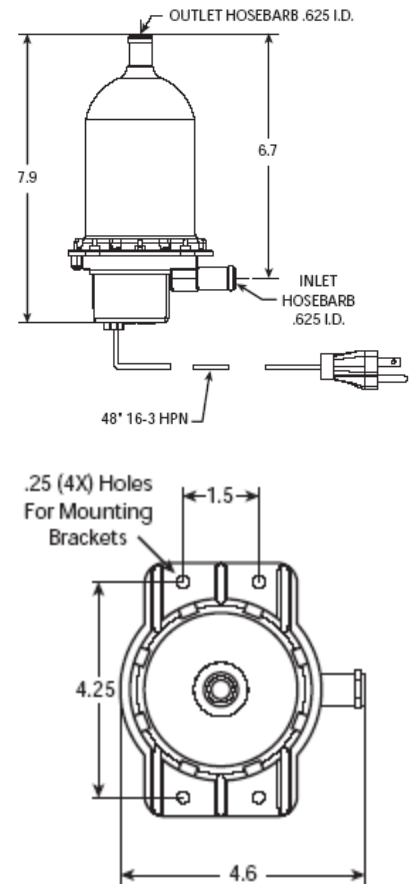
#### HIGHLIGHTS

- ◆ Molded from Polyphenylene Sulfide (PPS)
- ◆ Rust-free, resists corrosion, exceptional tensile strength
- ◆ Vibration and shock tested to extreme limits to guarantee durability
- ◆ Greatly reduces heat loss for more efficient operation
- ◆ Compatible with all chemicals
- ◆ Incoloy element for longer service life
- ◆ Thermostatically controlled
- ◆ All parts are field replaceable
- ◆ Compact design requires minimal mounting space



#### DESCRIPTION

Ambient Above -20° F	Ambient Below -20° F	Kim Hotstart Model Number	Volts	Phase	Watts	Amps	Thermostat Range	
							On	Off
150 Cubic Inch or Less	150 Cubic Inch or Less	TPS051GT8-000	120	1	500	4.2	80°F	100°F
		TPS051GT10-000	120	1	500	4.2	100°F	120°F
		TPS051GT12-000	120	1	500	4.2	120°F	140°F
		TPS051GT12-A00	120	1	500	4.2	ADJUSTABLE*	
		TPS052GT8-000	240	1	500	2.1	80°F	100°F
		TPS052GT10-000	240	1	500	2.1	100°F	120°F
		TPS052GT12-000	240	1	500	2.1	120°F	140°F
		TPS052GT12-A00	240	1	500	2.1	ADJUSTABLE*	
350 Cubic Inch or Less	200 Cubic Inch or Less	TPS101GT8-000	120	1	1000	8.4	80°F	100°F
		TPS101GT10-000	120	1	1000	8.4	100°F	120°F
		TPS101GT12-000	120	1	1000	8.4	120°F	140°F
		TPS101GT12-A00	120	1	1000	8.4	ADJUSTABLE*	
		TPS102GT8-000	240	1	1000	4.2	80°F	100°F
		TPS102GT10-000	240	1	1000	4.2	100°F	120°F
		TPS102GT12-000	240	1	1000	4.2	120°F	140°F
		TPS102GT12-A00	240	1	1000	4.2	ADJUSTABLE*	
350 — 500 Cubic Inch or Less	200 — 300 Cubic Inch or Less	TPS151GT8-000	120	1	1500	12.5	80°F	100°F
		TPS151GT10-000	120	1	1500	12.5	100°F	120°F
		TPS151GT12-000	120	1	1500	12.5	120°F	140°F
		TPS151GT12-A00	120	1	1500	12.5	ADJUSTABLE*	
		TPS152GT8-000	240	1	1500	6.3	80°F	100°F
		TPS152GT10-000	240	1	1500	6.3	100°F	120°F
		TPS152GT12-000	240	1	1500	6.3	120°F	140°F
		TPS152GT12-A00	240	1	1500	6.3	ADJUSTABLE*	
500 — 700 Cubic Inch or Less	300 — 400 Cubic Inch or Less	TPS181GT8-000	120	1	1800	15	80°F	100°F
		TPS181GT10-000	120	1	1800	15	100°F	120°F
		TPS181GT12-000	120	1	1800	15	120°F	140°F
		TPS181GT12-A00	120	1	1800	15	ADJUSTABLE*	
		TPS202GT8-000	240	1	2000	8.3	80°F	100°F
		TPS202GT10-000	240	1	2000	8.3	100°F	120°F
		TPS202GT12-000	240	1	2000	8.3	120°F	140°F
		TPS202GT12-A00	240	1	2000	8.3	ADJUSTABLE*	



\*Off temperature – adjustable 90-130°F  
(On differential – 20° F)