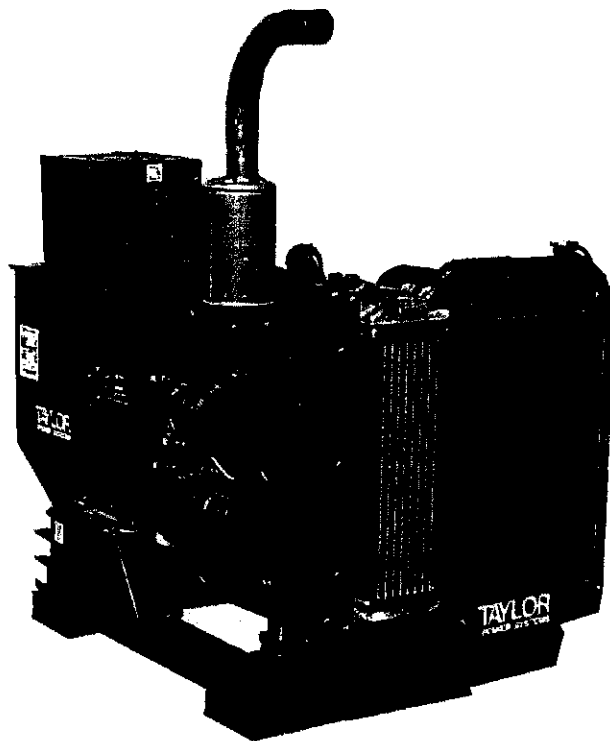


TAYLOR®

POWER SYSTEMS

STANDARD POULTRY GENERATOR SET PARTS MANUAL

**P45CD1 THROUGH V200CD1
Beginning at SN#18922**



TAYLOR POWER SYSTEMS
461 Highway 49 South
Richland, Ms. 39218
Phone (601) 932-5674 Fax (601) 932-4028
www.taylorpower.com

VOLVO BLOCK HEATER VT3500019

INDEX

<u>GROUP #</u>	<u>DESCRIPTION</u>	<u>UNIT MODELS</u>
VTGRU01021	Vibration Isolators	P45CD1 Through P100CD1
VTGRU01022	Vibration Isolators	P108CD1 Through P140CD1
VTGRU01039	Vibration Isolators	V150CD1
VTGRU01047	Vibration Isolators	V200CD1
VTGRU03053	Fuel Line Kit	P45CD1, P60CD1, P75CD1, P108CD1, P130CD1, P140CD1
VTGRU03098	Electronic Gov. Kit	V150CD1
VTGRU03104	Fuel Line Kit	V150CD1, V180CD1, V200CD1
VTGRU03113	Fuel Line Kit	P100CD1
VTGRU05008	Eng. To Gen. Bolts	P45CD1 Through P140CD1
VTGRU05019	Eng. To Gen. Bolts	V150CD1 Through V200CD1
VTGRU06026	Block Heater	P100CD1
VTGRU06027	Block Heater	P45CD1, P60CD1, P75CD1, P108CD1, P130CD1, P140CD1
VTGRU06029	Lower Radiator Guard	P108CD1
VTGRU06030	Lower Radiator Guard	P45CD1, P60CD1, P75CD1
VTGRU06031	Lower Radiator Guard	P130CD1, P140CD1
VTGRU07108	Battery Rack	P45CD1 Through P140CD1
VTGRU07136	Battery Rack	V180CD1, V200CD1
VTGRU07213	Control Panel (ECU)	P45CD1 Through V150CD1
VTGRU07214	Control Panel Parts	P45CD1
VTGRU07215	Control Panel Parts	P60CD1
VTGRU07216	Control Panel Parts	P75CD1
VTGRU07217	Control Panel Parts	P100CD1
VTGRU07218	Control Panel Parts	P108CD1
VTGRU07219	Control Panel Parts	P140CD1
VTGRU07220	Control Panel Parts	V150CD1
VTGRU07221	Key Switch / Gauges	P45CD1 Through P140CD1
VTGRU07222	Control Panel (ECU)	V180CD1, V200CD1
VTGRU07223	Control Panel Parts	V180CD1, V200CD1
VTGRU07225	Key Switch / Gauges	V150CD1 through V200CD1
VTGRU10013	Exhaust System	P45CD1, P60CD1, P75CD1
VTGRU10017	Exhaust System	P108CD1, P130CD1, P140CD1
VTGRU10018	Exhaust System	P108CD1, P130CD1, P140CD1 (Latco Only)
VTGRU10054	Exhaust System	V150CD1
VTGRU10083	Exhaust System	P100CD1
VTGRU10089	Exhaust System	V180CD1, V200CD1

ENGINE AND GENERATOR MATCHUP 1Ph POULTRY GENERATOR SETS

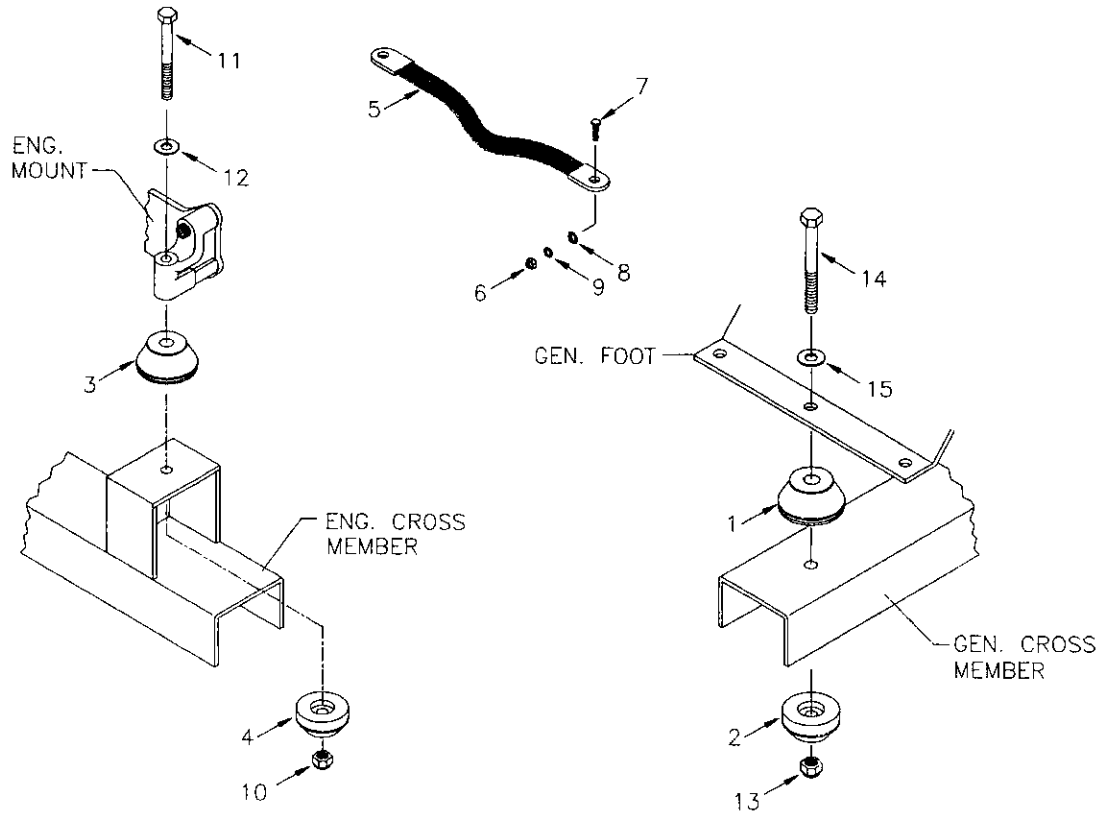
UNIT MODEL	ENGINE PART NUMBER	ENGINE MODEL	GENERATOR MODEL
P45CD1	VAAA37530	PERKINS 1004G-40	UCI224D1J
P47CD1	VAAA37530	PERKINS 1004G-40	UCI224E1J
P60CD1	VAAB37591	PERKINS 1004-4T	UCI224F1J
P75CD1	VAAB37591	PERKINS 1004-4T	UCI224G1J
P100CD1	VARJ51155	PERKINS 1104C-44TAG2	UCI274D1J
P108CD1	VAYB37532	PERKINS 1006-6T	UCI274D1J
P130CD1	VAYD37531	PERKINS 1006-6TAG	UCI274E1J
P140CD1	VAYD37531	PERKINS 1006-6TAG	UCI274F1J
V150CD1	VA868879	VOLVO TAD720GE	UCI274G1J
V180CD1	VA869299	VOLVO TAD721GE	UCI274H1J
V200CD1	VA869300	VOLVO TAD722GE	UCI274J1J

25KW CBL SOUTH 3-152 BCI184F1J
CM 51029

TAYLOR®

POWER SYSTEMS

MODEL OR SERIES	GROUP NUMBER
V150CD1	VTGRU01039
VIBRO MOUNTS	

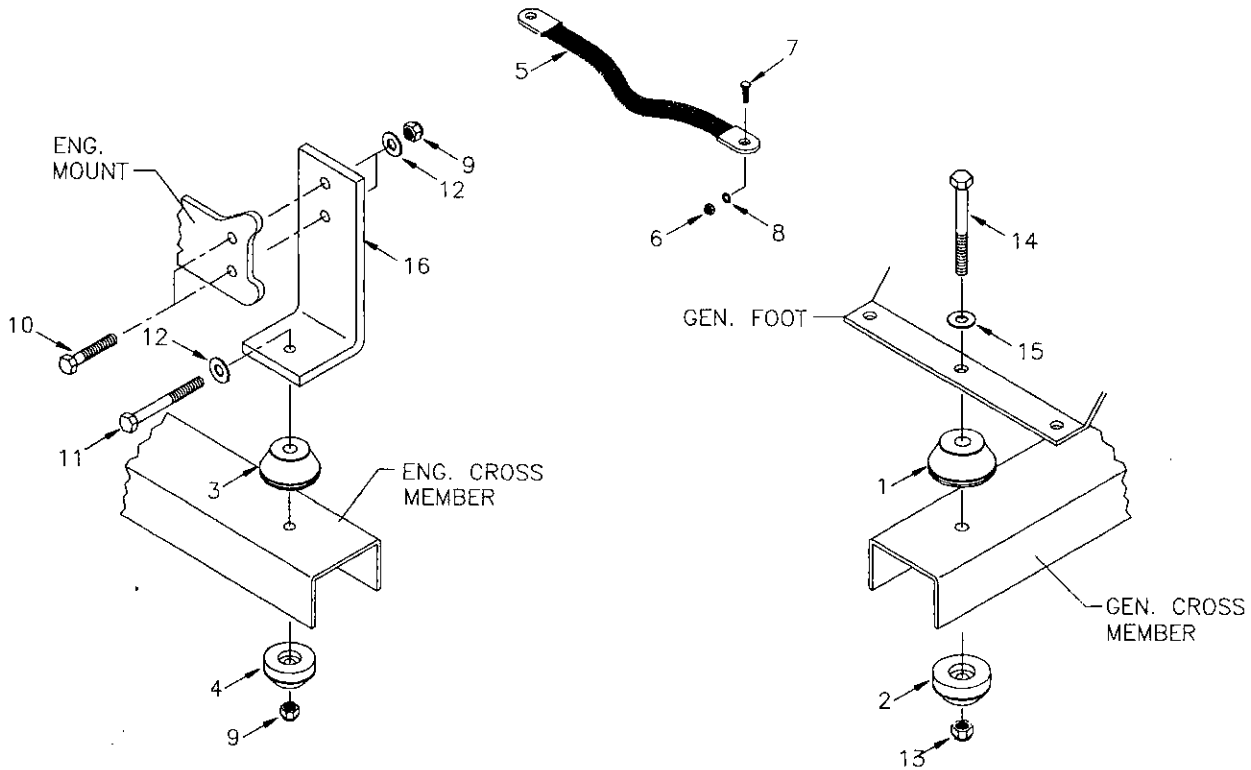


ITEM	PART NO.	DESCRIPTION	QTY.
1	VT653060	VIBRO MOUNTS	2
2	VT654060	VIBRO MOUNTS	2
3	VT655070	VIBRO MOUNTS	2
4	VT656070	VIBRO MOUNTS	2
5	VT711284	GROUND STRAP	1
6	VT25CCNES	1/4 LOCKNUT	2
7	VT25C100CCS	1/4 X 1 BOLT	2
8	VT25NEXT4	1/4 STARWASHER	4
9	VT25N62WSSS	1/4 FLATWASHER	4
10	VT50CCNEZBU	1/2 LOCKNUT	2
11	VT50C600CCS	1/2 X 6 BOLT	2
12	VT50NWUSZBU	1/2 FLATWASHER	2
13	VT62CCST	5/8 LOCKNUT	2
14	VT62C400C8Y	5/8 X 4 BOLT	2
15	VT62NWL9	5/8 FLATWASHER	2

TAYLOR®

POWER SYSTEMS

MODEL OR SERIES	GROUP NUMBER
V200CD1	VTGRU01047
VIBRO MOUNTS	

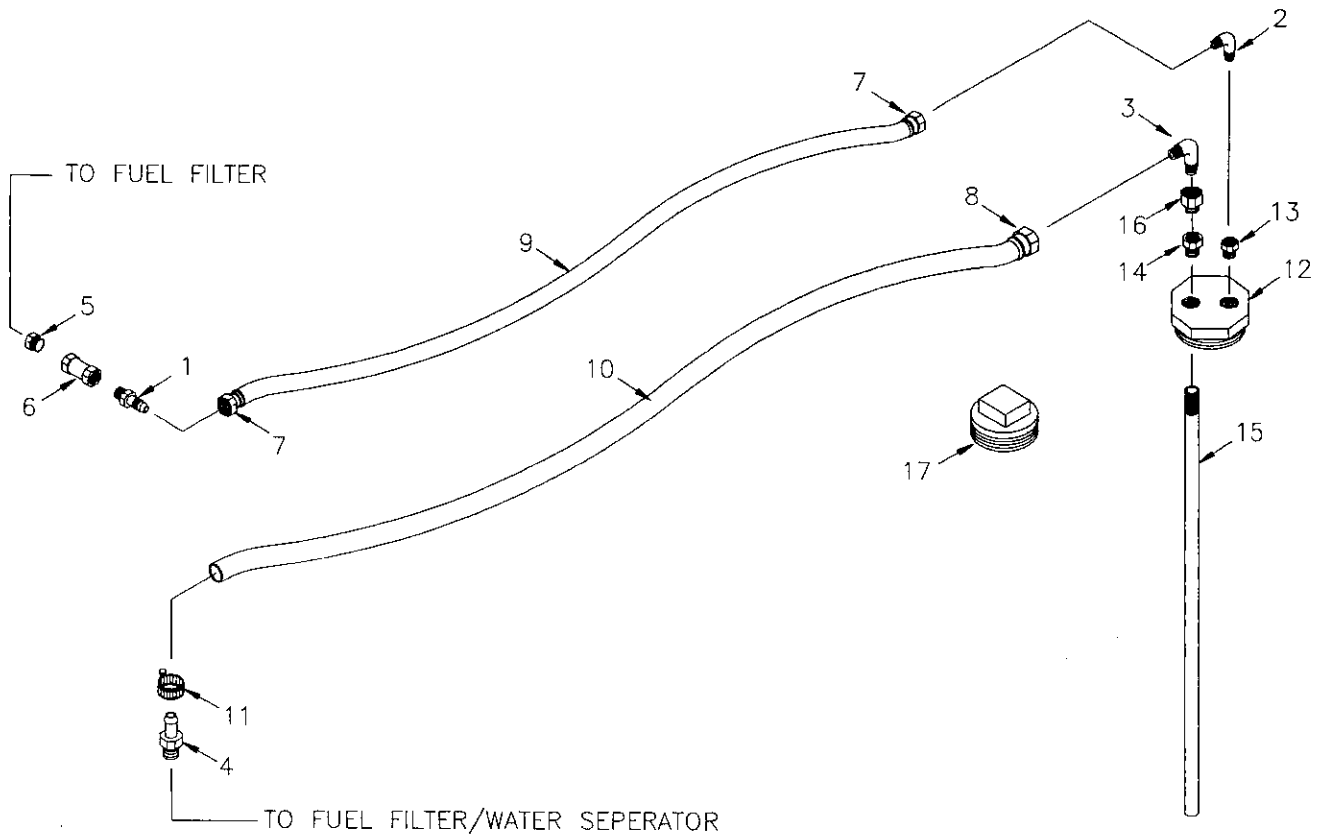


ITEM	PART NO.	DESCRIPTION	QTY.
1	VT653060	VIBRO MOUNTS	2
2	VT654060	VIBRO MOUNTS	2
3	VT655070	VIBRO MOUNTS	2
4	VT656070	VIBRO MOUNTS	2
5	VT711284	GROUND STRAP	1
6	VT25CCNES	1/4 LOCKNUT	2
7	VT25C100CCS	1/4 X 1 BOLT	2
8	VT25N62WSSS	1/4 FLATWASHER	4
9	VT50CCNEZBU	1/2 LOCKNUT	6
10	VT50C175CSZ	1/2 X 1 3/4 BOLT	4
11	VT50C500CSZ	1/2 X 5 BOLT	2
12	VT50NWUSZBU	1/2 FLATWASHER	6
13	VT62CCST	5/8 LOCKNUT	2
14	VT62C400C8Y	5/8 X 4 BOLT	2
15	VT62NWL9	5/8 FLATWASHER	2
16	VT083739	ENGINE FEET	2

TAYLOR®

POWER SYSTEMS

MODEL OR SERIES	GROUP NUMBER
P47CD1, P60CD1, P75CD1, P108CD1, P130CD1, P140CD1	VTGRU03053
FUEL LINE KIT	

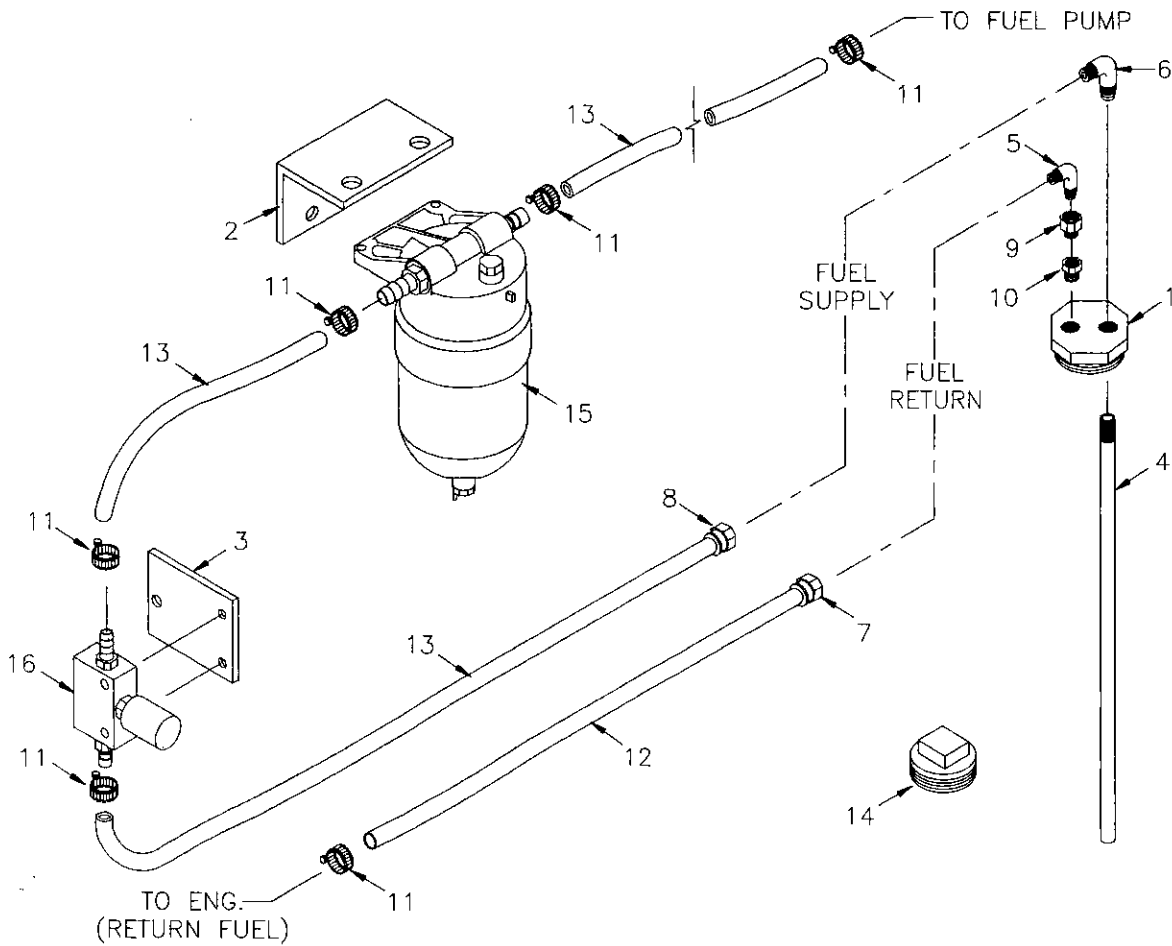


ITEM	PART NO.	DESCRIPTION	QTY.
1	VT010324	ADAPTER	1
2	VT210344	ADAPTER	1
3	VT210366	ADAPTER	1
4	VT1567	HOSE END	1
5	VT202X4	FITTING	1
6	VT3300X2	FITTING	1
7	VT3068244B	FITTING	2
8	VT3068266B	FITTING	1
9	VT8364	FUEL RETURN HOSE	15 ft.
10	VT8366	FUEL SUPPLY HOSE	15 ft.
11	VT7051170	CLAMP	1
12	VTC1212X12	DOUBLE TAP BUSHING	1
13	VT1/2 X 1/4	BUSHING	1
14	VT1/2 X 3/8	BUSHING	1
15	VT1/2 X 34	NIPPLE	1
16	VT3200X6	FITTING	1
17	VT2PLUG	2" PIPE PLUG	1

TAYLOR®

POWER SYSTEMS

MODEL OR SERIES	GROUP NUMBER
V150CD1, V180CD1, & V200CD1	VTGRU03104
FUEL LINE KIT	



ITEM	PART NO.	DESCRIPTION	QTY.
1	VTC1212X12	DOUBLE TAP BUSHING	1
2	VT030363	FUEL FILTER BRACKET	1
3	VT030377	FUEL PUMP BRACKET	1
4	VT1/2X34	NIPPLE	1
5	VT210366	ADAPTER	1
6	VT210388	ADAPTER	1
7	VT3068266B	FITTING	1
8	VT3068288B	FITTING	1
9	VT3200X6	FITTING	1
10	VT3220X8X6	FITTING	1
11	VT7051012	CLAMP	6
12	VT8366	HOSE	15ft.
13	VT8368	HOSE	20ft.
14	VT2PLUG	2" PLUG	1
15		VOLVO FUEL FILTER	1
16		VOLVO FUEL PRIME PUMP	1



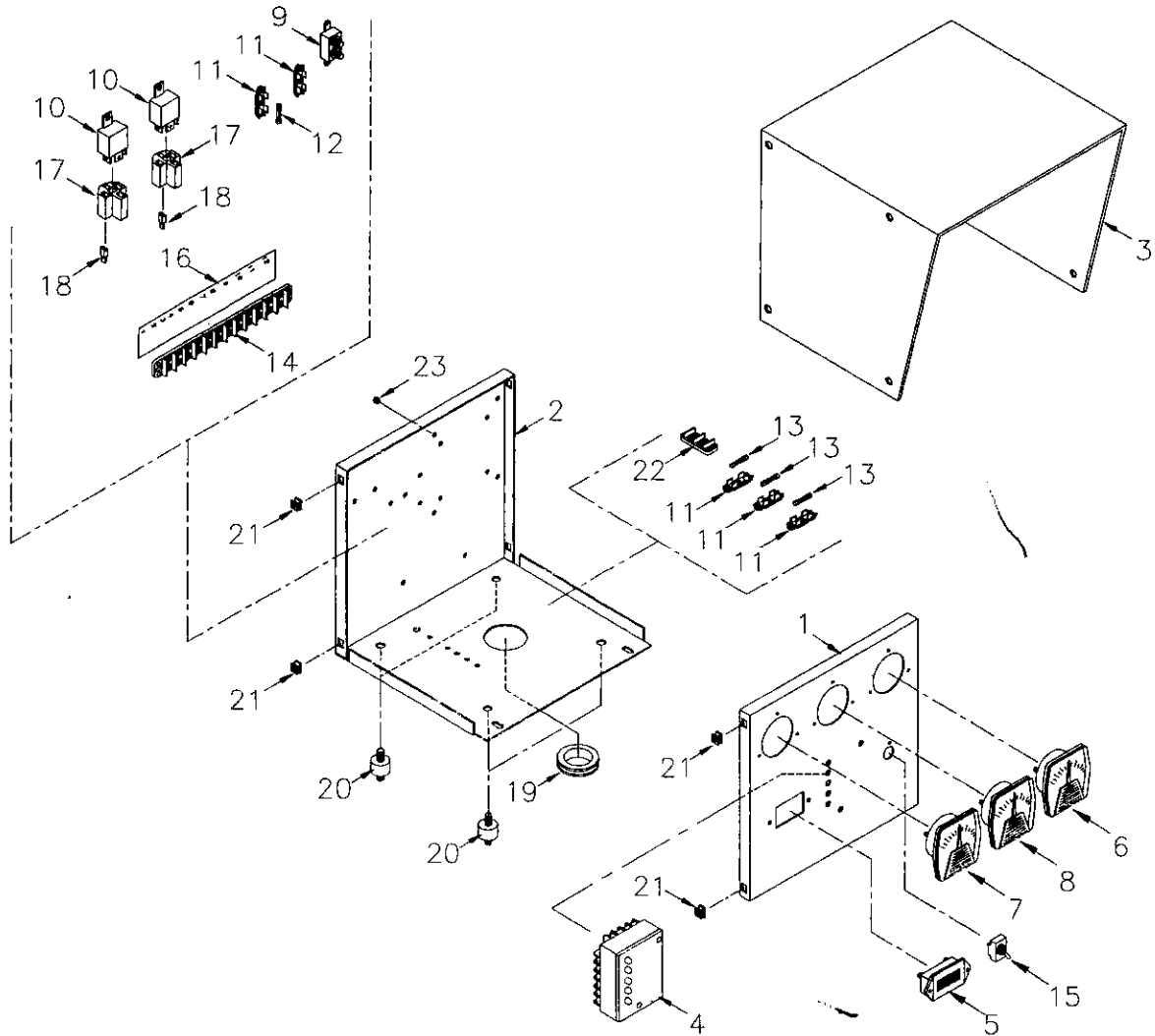
VTGRU07251
 VTGRU07254
 CR
 DWZ
 CONVRT

TAYLOR®

POWER SYSTEMS

WVA
 USE VTGRU07

MODEL OR SERIES	GROUP NUMBER
P45CD1 - V150CD1	VTGRU07213 PAGE 1 OF 2
POULTRY ECU PANEL	



ITEM	PART NO.	DESCRIPTION	QTY.
1	VT071336	CONTROL FACEPLATE	1
2	VT071337	CONTROL BOTTOM	1
3	VT071338	CONTROL TOP	1
4	VTECU9988LP	ECU AUTOSTART	1
5	VT8514111	HOUR METER	1
6	VT01375AALS	AMMETER	1
7	VT01375VARX	VOLTMETER	1
8	VT01341SAPN	FREQUENCY METER	1
9	VT46531	30 AMP BREAKER	1
10	VTAR204	RELAYS	2
11	VT47065	FUSE HOLDERS	5

TAYLOR®

POWER SYSTEMS

MODEL OR SERIES	GROUP NUMBER
P45CD1 - V150CD1	VTGRU07213 PAGE 2 OF 2

POULTRY ECU PANEL

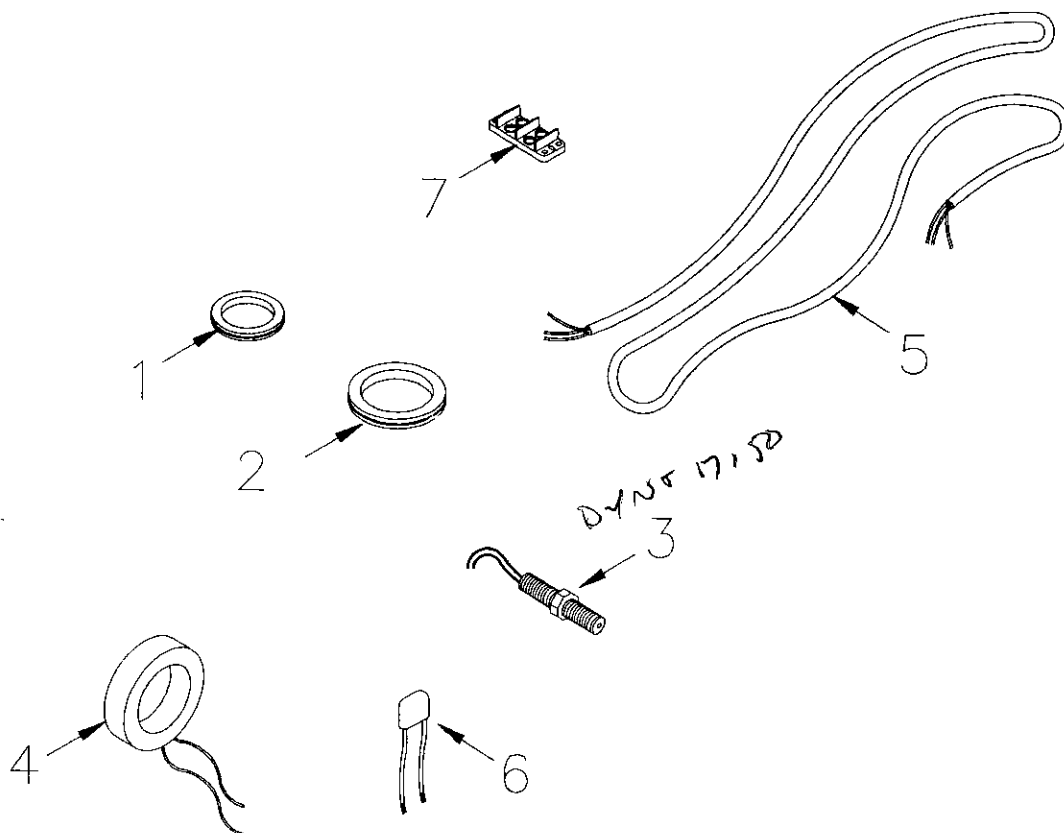
ITEM	PART NO.	DESCRIPTION	QTY.
12	VT46110	10 AMP FUSE	1
13	VT46101	1 AMP FUSE	3
14	VT12141	12 TERMINAL STRIP	1
15	VT44257	TOGGLE SWITCH	1
16	VTMS12141	12 TERMINAL MARKER STRIP	1
17	VT75281	CONNECTOR	2
18	VT31073	TERMINAL	8
19	VT1070	GROMMET	1
20	VTJ4624109	VIBRO MOUNTS	4
21	VT10305	PUSH IN NUTS	10
22	VT47352	TERMINAL STRIP	1
23	VT24401	HOLE PLUG	8
24	VT8C150MSRS	#8-32 X 1 1/2" SCREW (FOR ECU)	2
25	VT25CCNES	1/4" LOCKNUTS (FOR VIBRO MOUNTS)	8
26	VT3374	SCREW (TO HOLD TOP COVER ON)	8
27	VT10CCNMS	#10 LOCKNUTS (FOR RELAYS)	2
28	VT10C50MSRS	#10-24 X 1/2" SCREW (FOR RELAYS)	2
29	VT10N37WSSS	#10 FLATWASHER (FOR RELAYS)	4
30	VT6CNMSZ	#6 NUT (FOR FUSE HOLDERS & HOURMETER)	7
31	VT6C37MSRS	#6-32 X 3/8" SCREW (FOR FUSE HOLDERS & HOURMETER)	7
32	VT6NLOCS	#6 LOCKWASHER (FOR FUSE HOLDERS & HOURMETER)	7
33	VT6NWSSS	#6 FLATWASHER (FOR FUSE HOLDERS & HOURMETER)	7
34	VT8CCNMSS	#8 NUTS (FOR ECU, BREAKER, & T-STRIPS)	8
35	VT8C50MSRS	#8-32 X 1/2" SCREW (FOR BREAKER)	2
36	VT8C75MSRS	#8-32 X 3/4" SCREW (FOR TERMINAL STRIP)	4
37	VT365190	SCREW (TO HOLD FACEPLATE TO BOTTOM)	2
38	VT8NWSSS	#8 FLATWASHERS (FOR ECU)	8
39	VT25C100CCS	1/4-20 X 1" BOLT (GROUND)	1
40	VT25NEXT4	1/4 STARWASHER (GROUND)	2
41	VT25N62WSSS	1/4 FLATWASHER (GROUND)	2
42	VT25CCFHS	1/4 NUT (GROUND)	2
43	VT25NLOCS	1/4 LOCKWASHER (GROUND)	1

NEW SYL CO
 V-T GRU 07254 Power
 V-T 071477 AC HARNESS
 V-T 071484 DC HARNESS

TAYLOR[®]

POWER SYSTEMS

MODEL OR SERIES	GROUP NUMBER
P45CD1 & P47CD1	VTGRU07214
CONTROL PANEL PARTS	

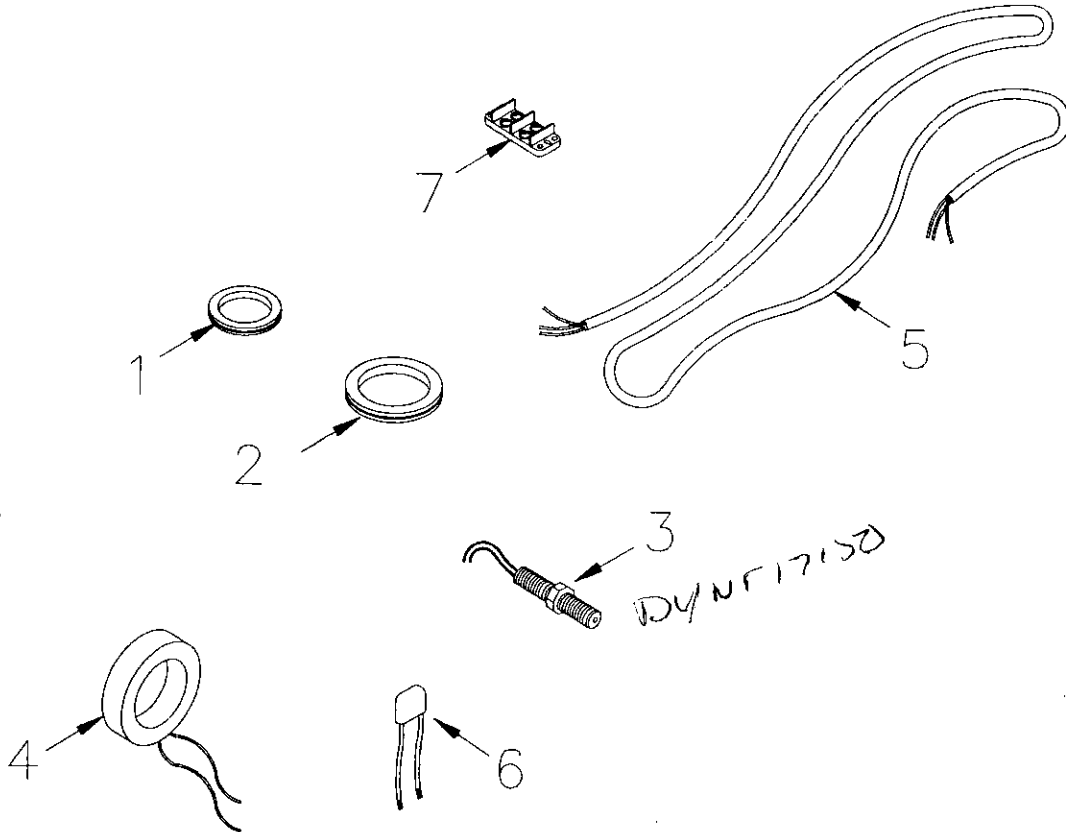


ITEM	PART NO.	DESCRIPTION	QTY.
1	VT1044	GROMMET (IN CONDUIT BOX OUT TO ENGINE)	1
2	VT1070	GROMMET (IN CONDUIT BOX FROM CONTROL)	1
3	VT11410134	MAG PICKUP	1
4	VT200/5CTS	CTS	1
5	VT2422C	18/2 SHIELDED CABLE	10ft.
6	VT65010082	DIODE	1
7	VT47352	(2) TERMINAL STRIP (REMOTE START IN CONDUIT BOX)	1
8	VT8C75MSRS	SCREW (FOR TERMINAL STRIP)	2
9	VT8CCNMSS	NUT (FOR TERMINAL STRIP)	2
10	VT8NWSSS	FLATWASHER (FOR TERMINAL STRIP)	2

TAYLOR[®]

POWER SYSTEMS

MODEL OR SERIES	GROUP NUMBER
P60CD1	VTGRU07215
CONTROL PANEL PARTS	

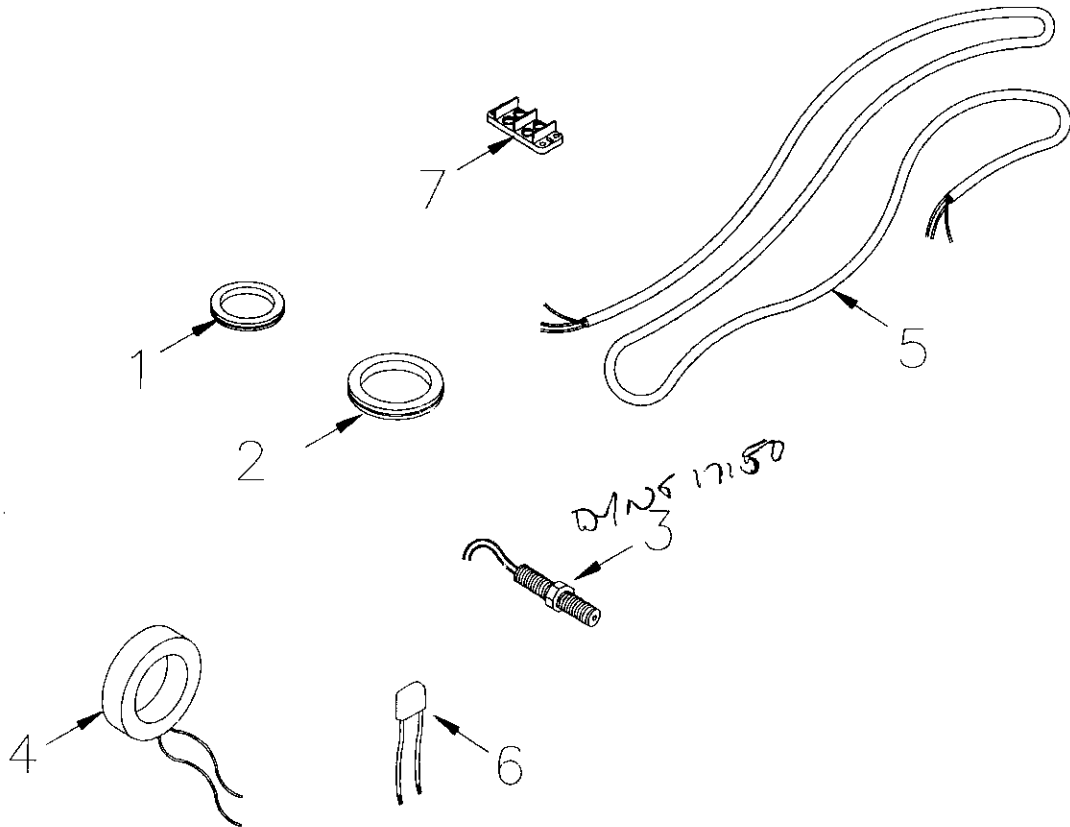


ITEM	PART NO.	DESCRIPTION	QTY.
1	VT1044	GROMMET (IN CONDUIT BOX OUT TO ENGINE)	1
2	VT1070	GROMMET (IN CONDUIT BOX FROM CONTROL)	1
3	VT11410134	MAG PICKUP	1
4	VT250/5CTS	CTS	1
5	VT2422C	18/2 SHIELDED CABLE	10ft.
6	VT65010082	DIODE	1
7	VT47352	(2) TERMINAL STRIP (REMOTE START IN CONDUIT BOX)	1
8	VT8C75MSRS	SCREW (FOR TERMINAL STRIP)	2
9	VT8CCNMSS	NUT (FOR TERMINAL STRIP)	2
10	VT8NWSSS	FLATWASHER (FOR TERMINAL STRIP)	2

TAYLOR[®]

POWER SYSTEMS

MODEL OR SERIES	GROUP NUMBER
P75CD1	VTGRU07216
CONTROL PANEL PARTS	

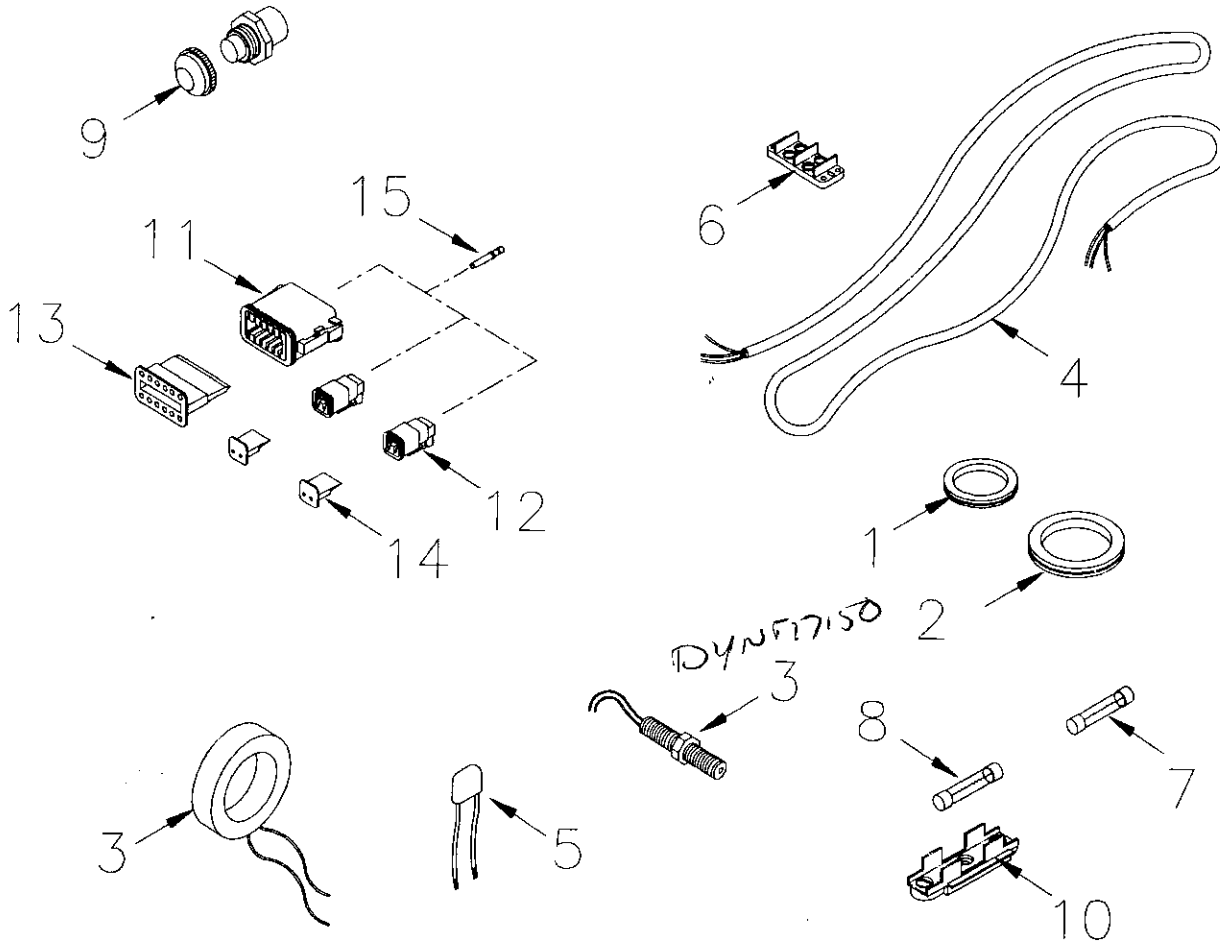


ITEM	PART NO.	DESCRIPTION	QTY.
1	VT1044	GROMMET (IN CONDUIT BOX OUT TO ENGINE)	1
2	VT1070	GROMMET (IN CONDUIT BOX FROM CONTROL)	1
3	VT11410134	MAG PICKUP	1
4	VT300/5CTS	CTS	1
5	VT2422C	18/2 SHIELDED CABLE	10ft.
6	VT65010082	DIODE	1
7	VT47352	(2) TERMINAL STRIP (REMOTE START IN CONDUIT BOX)	1
8	VT8C75MSRS	SCREW (FOR TERMINAL STRIP)	2
9	VT8CCNMSS	NUT (FOR TERMINAL STRIP)	2
10	VT8NWSSS	FLATWASHER (FOR TERMINAL STRIP)	2

TAYLOR®

POWER SYSTEMS

MODEL OR SERIES	GROUP NUMBER
P100CD1	VTGRU07217
CONTROL PANEL PARTS	

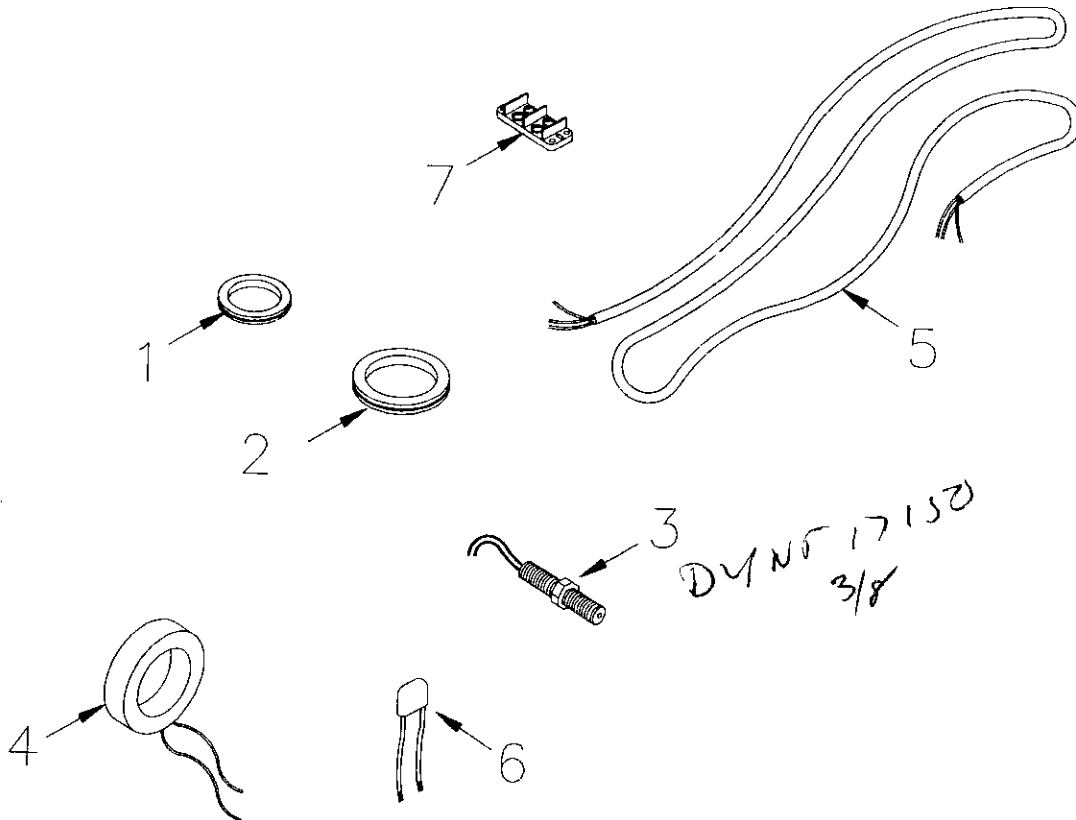


ITEM	PART NO.	DESCRIPTION	QTY.
1	VT1044	GROMMET (IN CONDUIT BOX OUT TO ENGINE)	1
2	VT1070	GROMMET (IN CONDUIT BOX FROM CONTROL)	1
3	VT400/5CTS	CTS	1
4	VT2422C	18/2 SHIELDED CABLE	10ft.
5	VT65010082	DIODE (FOR ALTERNATOR)	1
6	VT47352	(2) TERMINAL STRIP (REMOTE START)	1
7	VTGDL6	6 AMP FUSE (ELEC. GOVERNOR)	1
8	VTGDL8	8 AMP FUSE (FUEL PRIME)	1
9	VTSTB6301	PUSH BUTTON (FUEL PRIME PUSHBUTTON)	1
10	VT47065	FUSE HOLDER	1
11	VTDT0612SA	PLUG (TO ELEC. GOVERNOR)	1
12	VTDT062SA	PLUG (TO FUEL PUMP & WATER TEMP.)	2
13	VTW12S	WEDGE (TO ELEC. GOVERNOR PLUG)	1
14	VTW2S	WEDGE (TO FUEL PUMP & WATER TEMP. PLUGS)	2
15	VT04622091.6	SOCKET	16

TAYLOR®

POWER SYSTEMS

MODEL OR SERIES	GROUP NUMBER
P108CD1	VTGRU07218
CONTROL PANEL PARTS	

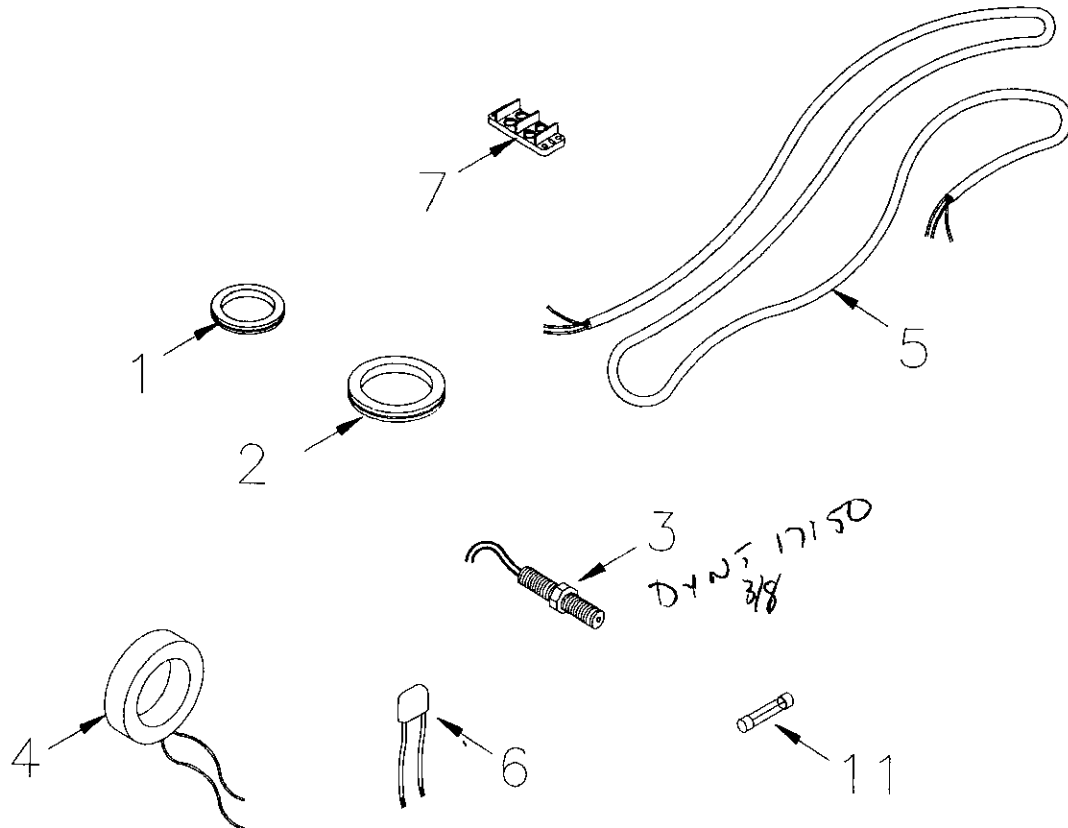


ITEM	PART NO.	DESCRIPTION	QTY.
1	VT1044	GROMMET (IN CONDUIT BOX OUT TO ENGINE)	1
2	VT1070	GROMMET (IN CONDUIT BOX FROM CONTROL)	1
3	VT11410134	MAG PICKUP <i>16mm</i>	1
4	VT400/5CTS	CTS	1
5	VT2422C	18/2 SHIELDED CABLE	1
6	VT65010082	DIODE	10ft.
7	VT47352	(2) TERMINAL STRIP (REMOTE START IN CONDUIT BOX)	1
8	VT8C75MSRS	SCREW (FOR TERMINAL STRIP)	1
9	VT8CCNMSS	NUT (FOR TERMINAL STRIP)	2
10	VT8NWSSS	FLATWASHER (FOR TERMINAL STRIP)	2
			2

TAYLOR®

POWER SYSTEMS

MODEL OR SERIES	GROUP NUMBER
P140CD1	VTGRU07219
CONTROL PANEL PARTS	



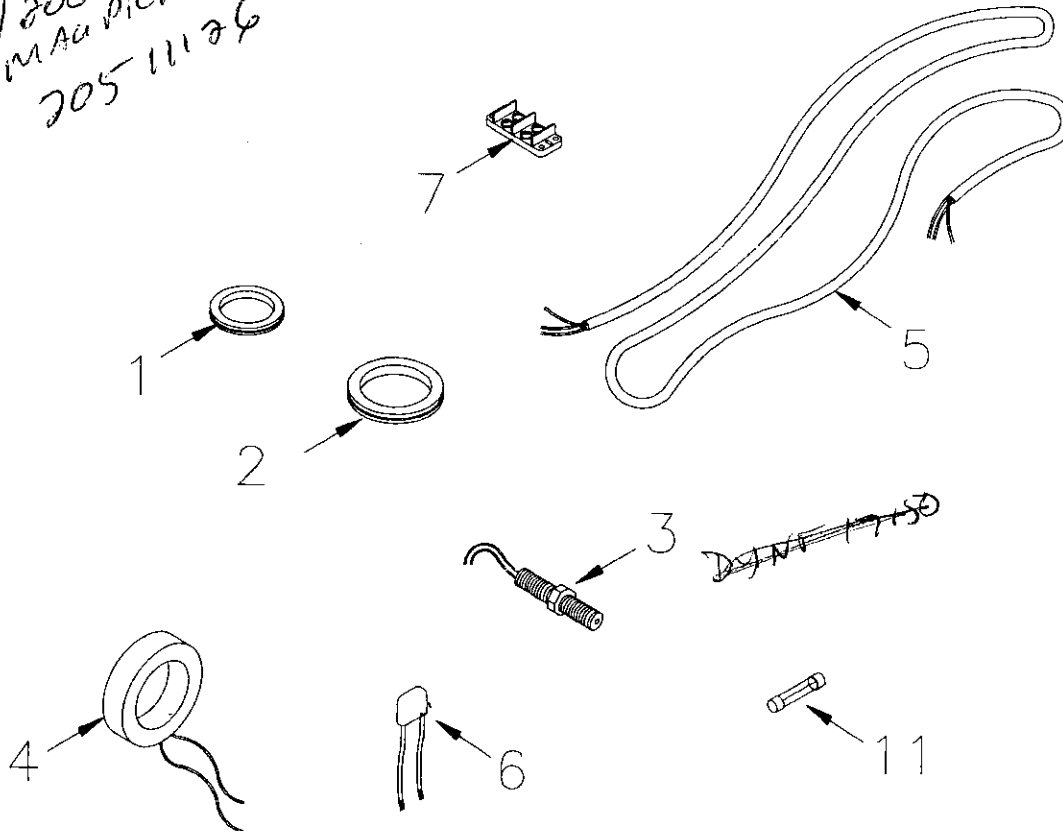
ITEM	PART NO.	DESCRIPTION	QTY.
1	VT1044	GROMMET (IN CONDUIT BOX OUT TO ENGINE)	1
2	VT1070	GROMMET (IN CONDUIT BOX FROM CONTROL)	1
3	VT11410134	MAG PICKUP <i>16 mm</i>	1
4	VT500/5CTS	CTS	1
5	VT2422C	18/2 SHIELDED CABLE	10ft.
6	VT65010082	DIODE	1
7	VT47352	(2) TERMINAL STRIP (REMOTE START IN CONDUIT BOX)	1
8	VT8C75MSRS	SCREW (FOR TERMINAL STRIP)	2
9	VT8CCNMSS	NUT (FOR TERMINAL STRIP)	2
10	VT8NWSSS	FLATWASHER (FOR TERMINAL STRIP)	2
11	VTGDL8	8 AMP FUSE (IN CONTROL BOX FOR GOV.)	1
12	VT10CCNMS	LOCKNUTS (FOR ELECTRONIC GOVERNOR)	4
13	VT10C50MSRS	SCREW (FOR ELECTRONIC GOVERNOR)	4
14	VT10N37WSSS	FLATWASHER (FOR ELECTRONIC GOVERNOR)	4

TAYLOR[®]

POWER SYSTEMS

MODEL OR SERIES	GROUP NUMBER
V150CD1	VTGRU07220
CONTROL PANEL PARTS	

*V200
MAG PICKUP
20511126*

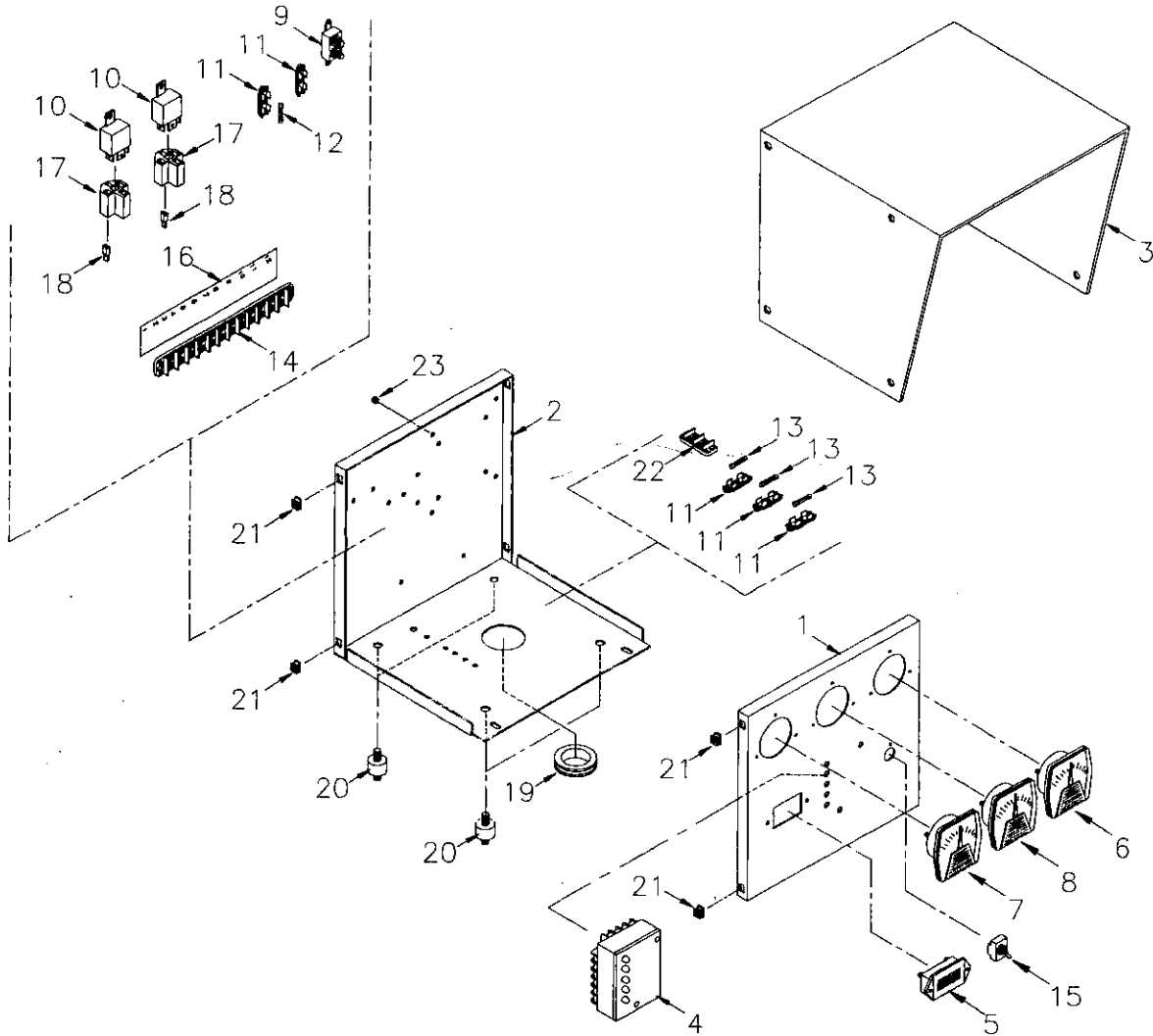


ITEM	PART NO.	DESCRIPTION	QTY.
1	VT1044	GROMMET (IN CONDUIT BOX OUT TO ENGINE)	1
2	VT1070	GROMMET (IN CONDUIT BOX FROM CONTROL)	1
3	VT20511126	MAG PICKUP	1
4	VT600/5CTS	CTS	1
5	VT2422C	18/2 SHIELDED CABLE	10ft.
6	VT65010082	DIODE	1
7	VT47352	(2) TERMINAL STRIP (REMOTE START IN CONDUIT BOX)	1
8	VT8C75MSRS	SCREW (FOR TERMINAL STRIP)	2
9	VT8CCNMSS	NUT (FOR TERMINAL STRIP)	2
10	VT8NWSSS	FLATWASHER (FOR TERMINAL STRIP)	2
11	VT46115	15 AMP FUSE (IN CONTROL BOX FOR GOV.)	1
12	VT10CCNMS	LOCKNUTS (FOR ELECTRONIC GOVERNOR)	4
13	VT10C50MSRS	SCREW (FOR ELECTRONIC GOVERNOR)	4
14	VT10N37WSSS	FLATWASHER (FOR ELECTRONIC GOVERNOR)	4

TAYLOR®

POWER SYSTEMS

MODEL OR SERIES	GROUP NUMBER
V200CD1	VTGRU07222 PAGE 1 OF 2
POULTRY ECU PANEL	

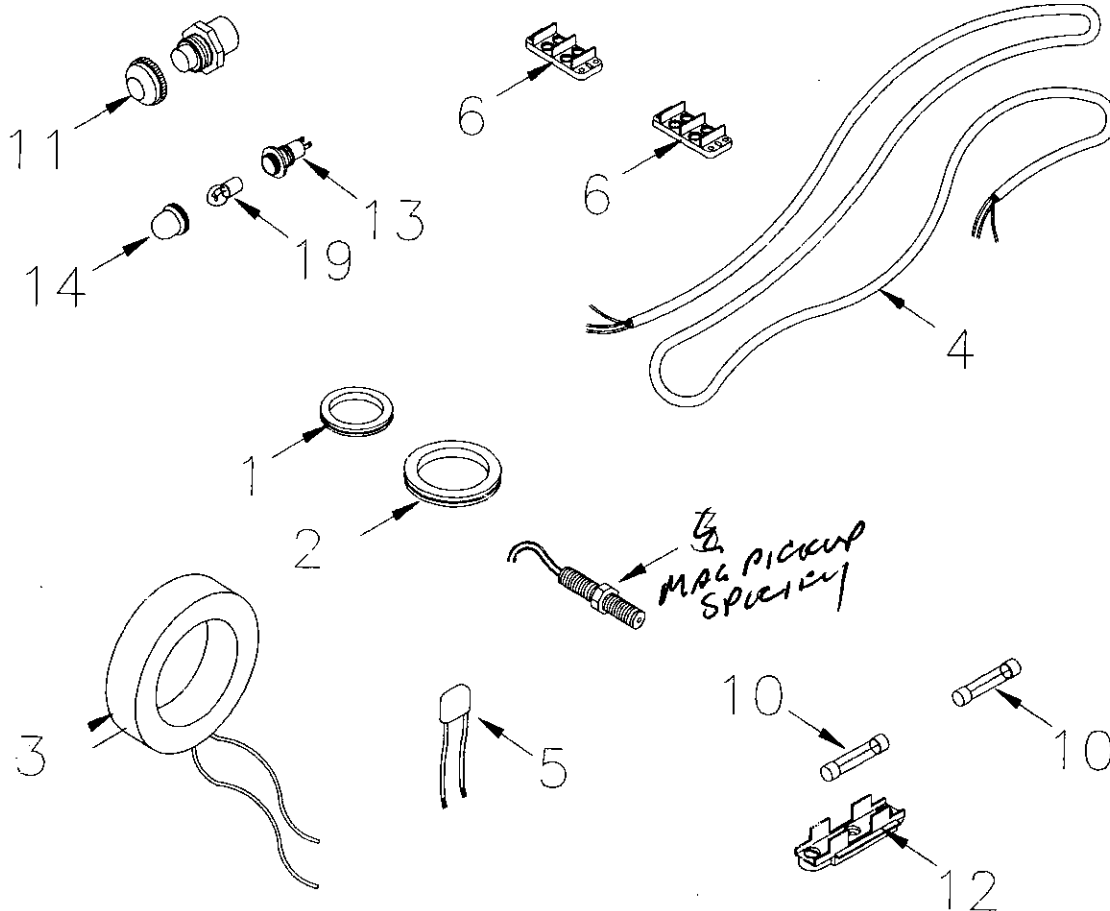


ITEM	PART NO.	DESCRIPTION	QTY.
1	VT071336	CONTROL FACEPLATE	1
2	VT071337	CONTROL BOTTOM	1
3	VT071338	CONTROL TOP	1
4	VTECUCAN70	ECU AUTOSTART CAN-BUS	1
5	VT8514111	HOUR METER	1
6	VT01375AALS	AMMETER	1
7	VT01375VARX	VOLTMETER	1
8	VT01341SAPN	FREQUENCY METER	1
9	VT46531	30 AMP BREAKER	1
10	VTAR204	RELAYS	2
11	VT47065	FUSE HOLDERS	5

TAYLOR®

POWER SYSTEMS

MODEL OR SERIES	GROUP NUMBER
V200CD1	VTGRU07223
CONTROL PANEL PARTS	

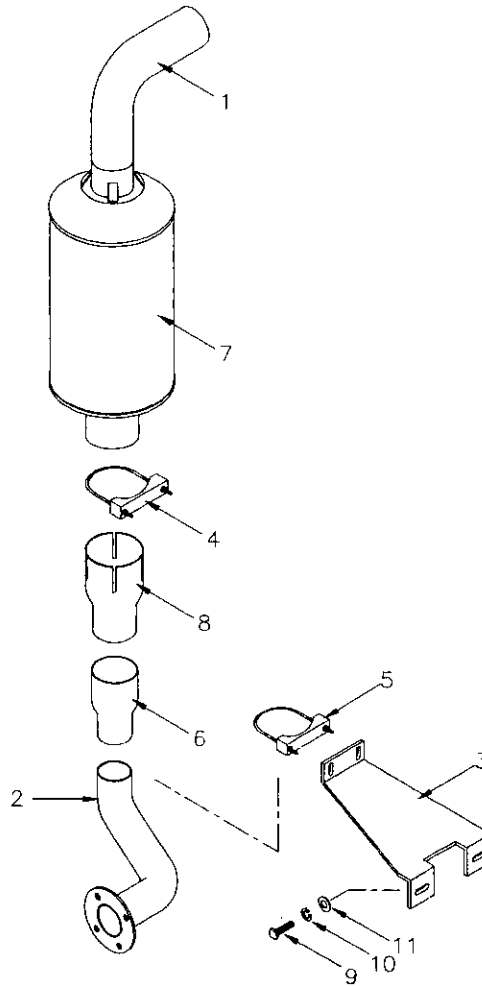


ITEM	PART NO.	DESCRIPTION	QTY.
1	VT1044	GROMMET (IN CONDUIT BOX OUT TO ENGINE)	1
2	VT1070	GROMMET (IN CONDUIT BOX FROM CONTROL)	1
3	VT800/5CTS	CTS	1
4	VT2422C	18/2 SHIELDED CABLE	10ft.
5	VT65010082	DIODE	1
6	VT47352	(2) TERMINAL STRIP (REMOTE START & EDC4 CONTROLLER)	2
7	VT8C75MSRS	SCREW (FOR TERMINAL STRIPS)	4
8	VT8CCNMSS	NUT (FOR TERMINAL STRIPS)	4
9	VT8NWSSS	FLATWASHER (FOR TERMINAL STRIPS)	4
10	VT46110	10 AMP FUSE	2
11	VTSTB6301	PUSH BUTTON (FOR DIAGNOSTICS)	1
12	VT47065	FUSE HOLDER	1
13	VT50F6048	LIGHT SOCKET (FOR DIAGNOSTICS)	1
14	VT50F6054	LENS CAP RED (FOR DIAGNOSTICS)	1
15	VT6CNMSZ	#6 NUT (FOR FUSE HOLDER)	1

TAYLOR®

POWER SYSTEMS

MODEL OR SERIES	GROUP NUMBER
V200CD1	VTGRU10089
EXHAUST SYSTEM	



ITEM	PART NO.	DESCRIPTION	QTY.
1	VTL500SR	5" ELBOW	1
2	VT100186	EXHAUST ELBOW	2
3	VT100326	EXHAUST SUPPORT BRACKET	1
4	VT32500	5" EXHAUST CLAMP	1
5	VT35794	3" EXHASUT CLAMP	1
6	VT41890	4" X 3" ADAPTER	2
7	VT49150A	5" SPARK ARRESTOR	1
8	VT5145001	5" X 4" ADAPTER	1
9	VT8C20CCSZ	BOLT	2
10	VT8NLOCD127	LOCKWASHER	1
11	VT8NMFWD12S	FLATWASHER	1

