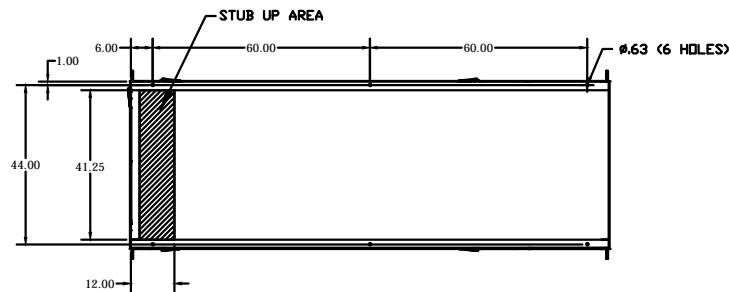
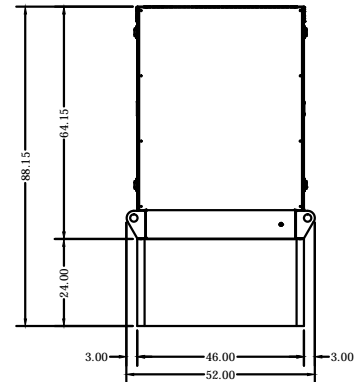
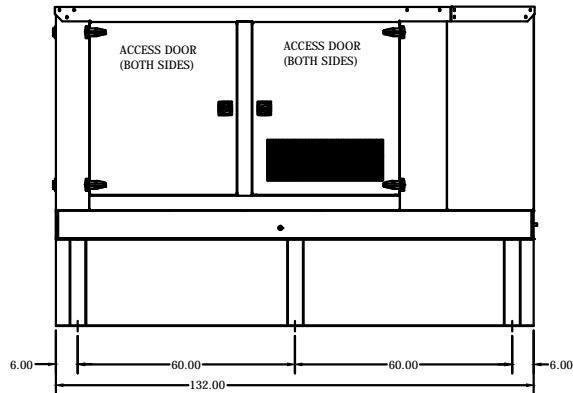
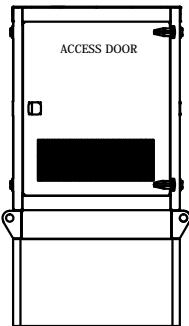


CUSTOMER APPROVAL SIGNATURE	APPROVAL DATE	COMMENTS	
INCLUDED FEATURES		PART #	WEIGHT
ENGINE: PERKINS 1106D-E66TAG3 (radiator through flywheel)		VAPJ38421	1,563 Lbs.
ALTERNATOR: MARATHON		431CSL6202	1220 Lbs.
SUB-BASE: STRUCTURAL STEEL		VT087333	336 Lbs.
UL142 DOUBLE WALL BASETANK 400 gallons		VT2446132	1292 Lbs.
SOUND ATTEN. ENCLOSURE			890 Lbs.
SIDE-IN TOP-OUT VERTICAL MOUNT SILENCER		62304	80 Lbs.
ISOLATORS: (4) EBCO 4960060		VT4960060	12 Lbs.
BLOCK HEATER: 1000 WATT / 120 VOLT / 8.3 AMPS		VT3305044	MISC.
FUEL SYSTEM		VTGRU03110	MISC.
OIL DRAIN EXTENSION WITH VALVE ROUTED TO SKID		VT1204N	MISC.
CABLE AND WIRING		N/A	MISC.
HARDWARE (BOLTS, WASHERS, HINGES, & LATCHES)		N/A	MISC.
(4) BATTERIES: GROUP 31 STYLE 12V BATTERY RACK AND CABLES FOR BATTERY Note: Rack is integral to the skid		VT31P6	41 Lbs.
CONTROL PANEL: Digital Auto Start			MISC.
CIRCUIT BREAKER: ABB ABB ENCLOSURE		xxxx xxxx	MISC.
WEIGHT SUBTOTAL			5434 Lbs.
MISC. WEIGHT: 5% of subtotal			272 Lbs.
TOTAL WEIGHT OPEN UNIT:			5706 Lbs.



ENCLOSURE MATERIAL: 14 ga. Galvaneal  
 COLOR: AkzoNobel Clay #20-8247HY POWDER COAT

DRAWN John	6/13/2011	TAYLOR POWER SYSTEMS	
CHECKED		TITLE Sound Attenuated Enclosure Model TD150 (400 gal. tank)	
QA		SIZE C	DWG NO TD150
MFG		SCALE	REV
APPROVED			
			SHEET 1 OF 1