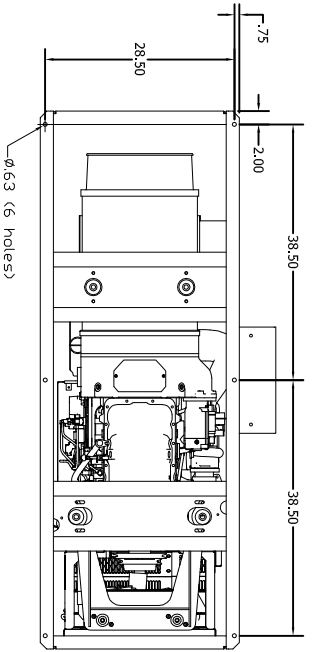
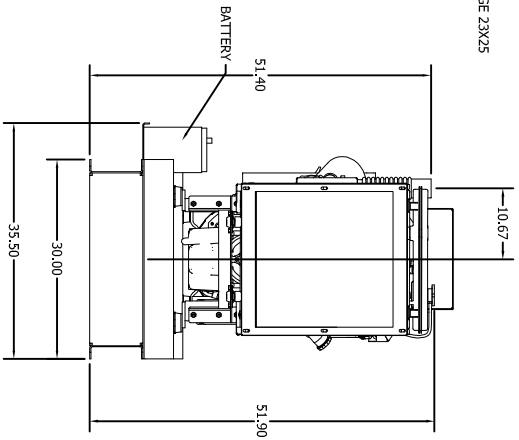
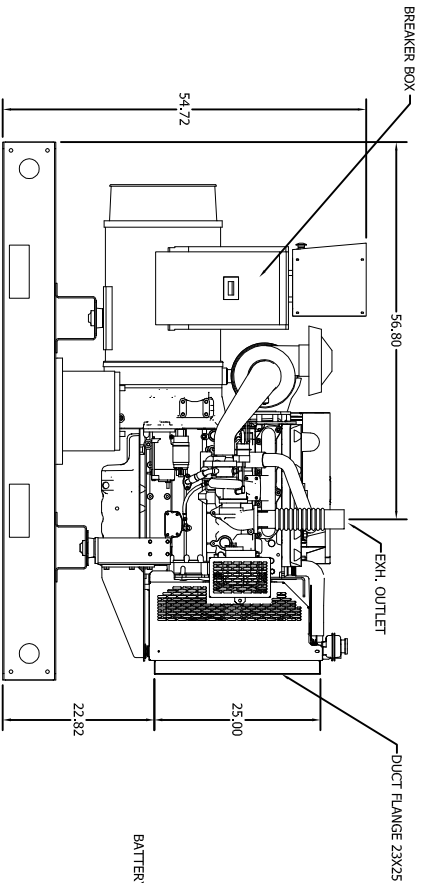
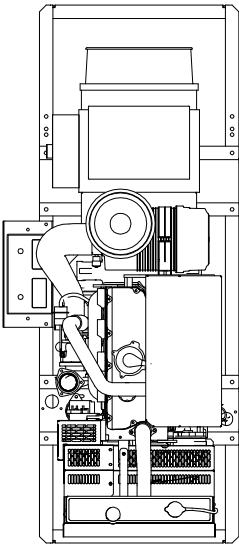


CUSTOMER APPROVAL SIGNATURE	APPROVAL DATE	COMMENTS
		INCLUDED FEATURES
		ENGINE: PERKINS 1104D-44TGI (radio for through flywheel)
		ALTERNATOR: MARATHON
		SUB-BASE: STRUCTURAL STEEL NARROW
		ISOLATORS: (4) 4960060
		FLEX FUEL LINES
		CABLE AND WIRING
		HARDWARE (BOLTS & WASHERS)
		(1) BATTERIES: GROUP 31 STYLE 12V BATTERY RACK AND CABLES FOR BATTERY Note: Rack is integral to the skid
		CONTROL PANEL
		CIRCUIT BREAKER: ABB
		WEIGHT SUBTOTAL
		MISC. WEIGHT: 5% of subtotal
		TOTAL WEIGHT OPEN UNIT:
		1,950 Lbs.



DESIGN	6/15/2011	TAYLOR POWER SYSTEMS	
CHECKED			
QA		TD55 OPEN UNIT WITH NARROW SKID	
ENG			
APPROVED		SIZE	REV
		C	
		DWG NO	TD55 OPEN UNIT
		SCALE	SHEET 1 OF 1