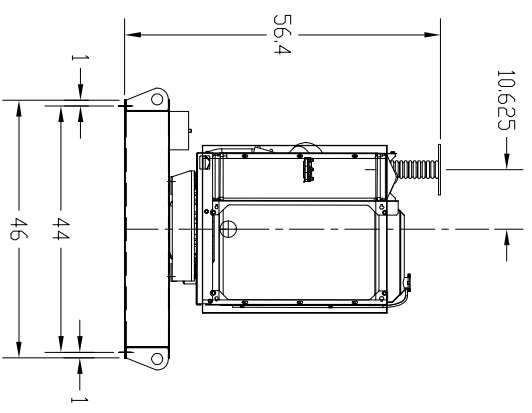
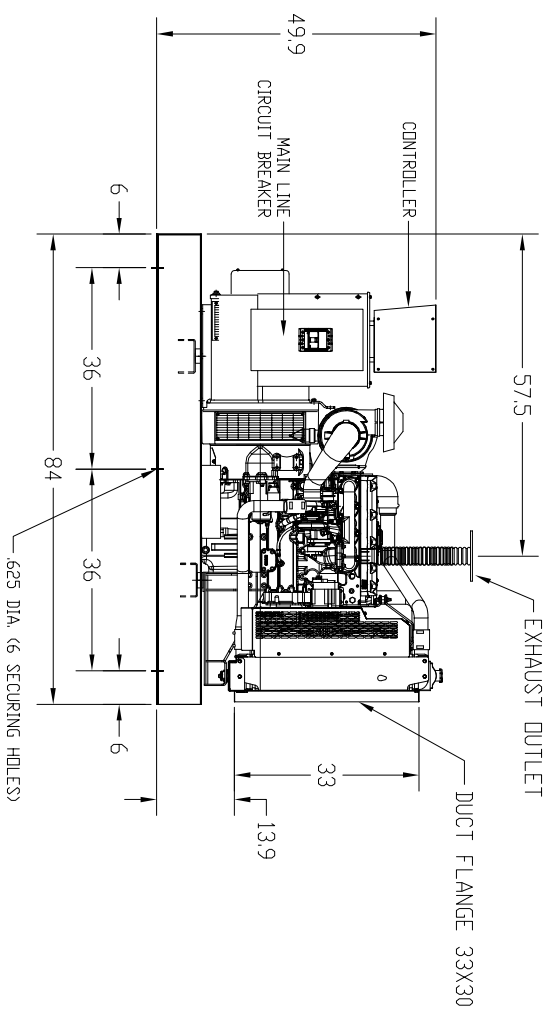
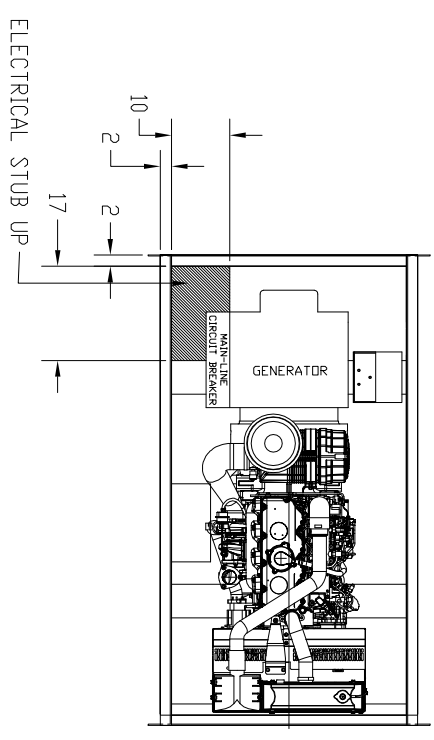


CUSTOMER APPROVAL SIGNATURE	APPROVAL DATE	COMMENTS
INCLUDED FEATURES	PART #	WEIGHT
ENGINE: PERKINS 1104D-E44TAG2 (grade for through flywheel)	VANJ38673	1,042 Lbs.
ALTERNATOR: MARATHON	362CSL1606	796 Lbs.
SUB-BASE: STRUCTURAL STEEL FULL	V14960060	221 Lbs.
ISOLATORS: (4) 4960060	V14960060	12 Lbs.
FLEX FUEL LINES	V1GR003235	MISC.
CABLE AND WIRING	N/A	MISC.
HARDWARE (BOLTS & WASHERS)	N/A	MISC.
(D) BATTERIES: GROUP 31 STYLE 12V BATTERY RACK AND CABLES FOR BATTERY Note: Rack is integral to the skid	V131P6	41 Lbs.
CONTROL PANEL: Digital Auto Start		MISC.
CIRCUIT BREAKER: ABB		MISC.
WEIGHT SUBTOTAL		2,112 Lbs.
MISC. WEIGHT: 5% of subtotal		106 Lbs.
TOTAL WEIGHT OPEN UNIT:		2,218 Lbs.



DRAWN	DATE	TITLE
CHECKED	6/15/2011	TAYLOR POWER SYSTEMS
QA		
MFG		
APPROVED		
SIZE	DWG NO.	REV
C	TD100 OPEN UNIT FULL	
SCALE		SHEET 1 OF 1