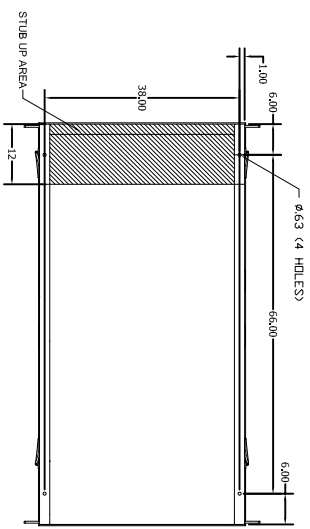
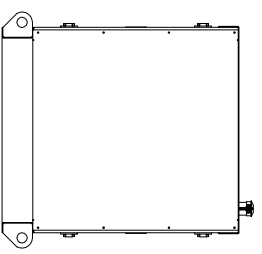
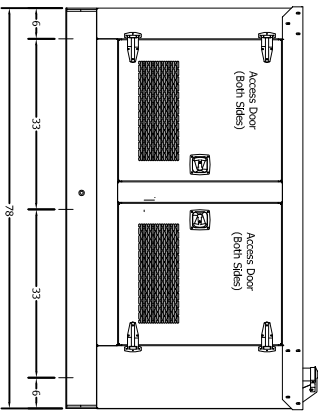
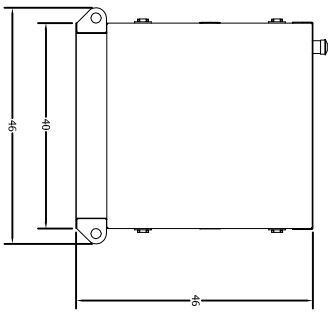
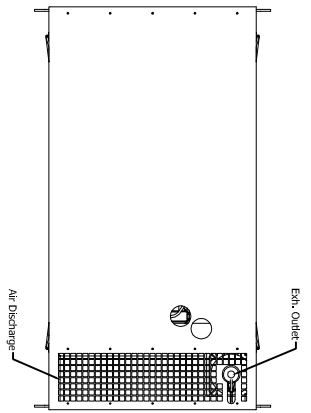


CUSTOMER APPROVAL SIGNATURE	APPROVAL DATE	COMMENTS
INCLUDED FEATURES		PART #
ENGINE: PERKINS 403D-15G (generator through flywheel)	GK65996	435 Lbs.
ALTERNATOR: MARATHON 282CSL504	282CSL504	250 Lbs.
SUB-BASE: STRUCTURAL STEEL	VT087375	126 Lbs.
ISOLATORS: (4) Barry Controls 256416	V7256416	4 Lbs.
ENCLOSURE: CLAY POWDER COAT, 14 GA. STEEL STANDARD ENCLOSURE	VTGRU08459	465 Lbs.
SILENCER: SIDE-IN TOP-OUT VERTICAL MOUNT INTERNALLY MOUNTED	V762302	19 Lbs.
(3) BATTERIES: GROUP 26 STYLE 12V BATTERY RACK AND CABLES FOR BATTERY Note: Rack is integral to the skid	V76026	30 Lbs.
CIRCUIT BREAKER: AMP ABB ABB ENCLOSURE	VTGRU03135	MISC.
FUEL LINES/FITTINGS	VTGRU03135	MISC.
FLUID BRAIN EXTENSION WITH VALVE ROUTED TO SKID CONTROL PANEL	V7108N	MISC.
HARDWARE: BOLTS, NUTS, WASHERS, LATCHES		MISC.
FLUIDS: OIL & ANTIFREEZE		MISC.
WEIGHT SUBTOTAL		1,329 Lbs.
MISC. WEIGHT 5% of subtotal		66 Lbs.
TOTAL WEIGHT:		1,395 Lbs.



ENCLOSURE MATERIAL: 14 ga. Galvalume
COLOR: Alkzondel Gray #20-8247HY POWDER COAT

DESIGN	8-31-11	TITLE	TAYLOR POWER SYSTEMS
CHECKED			TD13 STANDARD ENCLOSURE
QA			
APP'D			
APPROVED		DATE	REV
		SCALE	