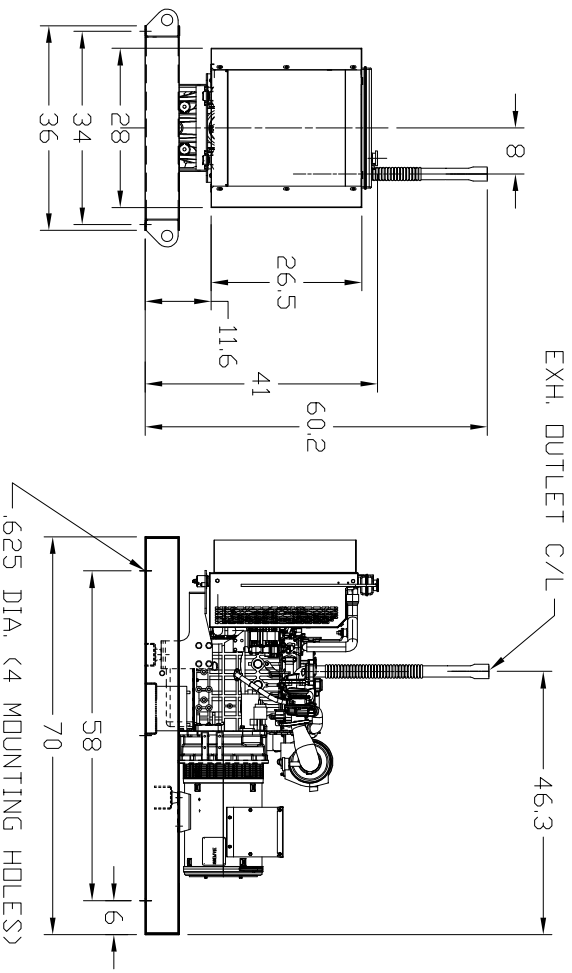
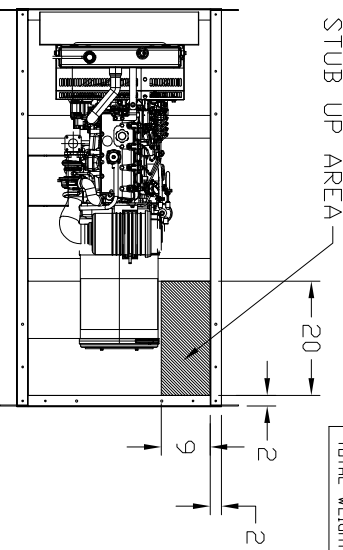


CUSTOMER APPROVAL SIGNATURE	APPROVAL DATE	COMMENTS
<b>INCLUDED FEATURES</b>	<b>PART #</b>	<b>WEIGHT</b>
ENGINE: Perkins 404D-221G (radiator through flywheel)	VAGP65795	532 Lbs.
ALTERNATOR: MARATHON	283CSL1507	350 Lbs.
SUB BASE: STRUCTURAL STEEL	V1087190	132 Lbs.
ISOLATORS: (4) Barry Controls 256416	V1256416	4 Lbs.
(1) BATTERY: GROUP 26 STYLE 12V BATTERY RACK AND CABLES FOR BATTERY Note: Rack is integral to the skid	VT60026	30 Lbs.
CONTROL PANEL		MISC.
WEIGHT SUBTOTAL		1,048 Lbs.
MISC. WEIGHT: 5% of subtotal		52 Lbs.
TOTAL WEIGHT:		1,100 Lbs.



DESIGNED BY	6/13/2011	TITLE	
CHECKED BY		TAYLOR POWER SYSTEMS	
QA		TD28 OPEN UNIT	
MFG		DRWG NO.	TD28 OPEN UNIT
APPROVED		SCALE	SHEET 1 OF 1
		SIZE	REV
		C	