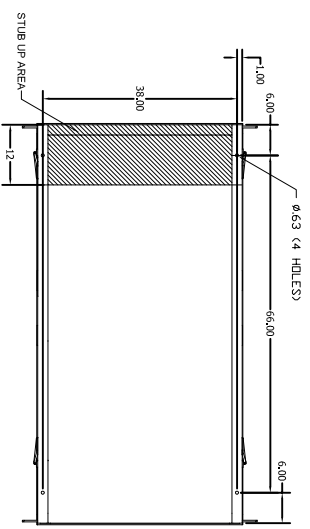
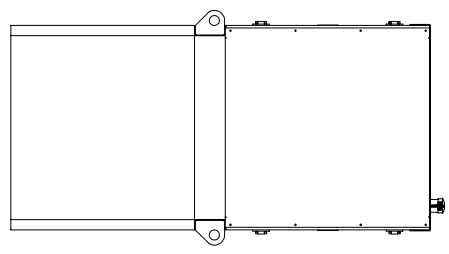
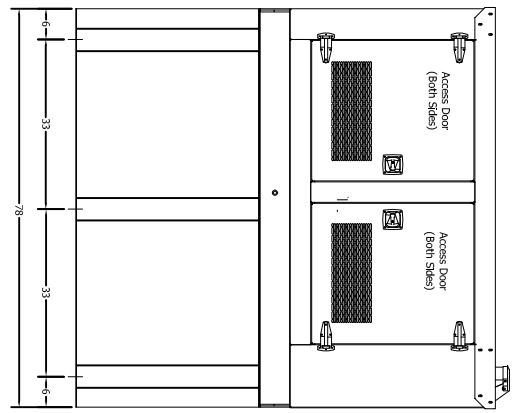
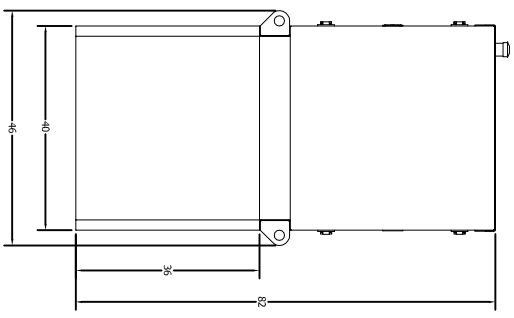
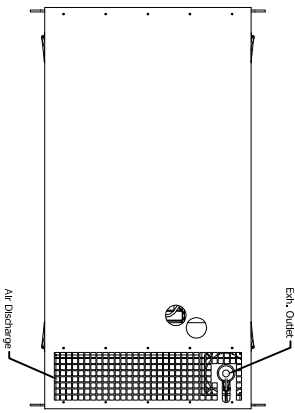


CUSTOMER APPROVAL SIGNATURE	APPROVAL DATE	COMMENTS
INCLUDED FEATURES		PART #
ENGINE: PERKINS 404D-22TIG (generator through flywheel)	625795	535 Lbs.
ALTERNATOR: MARATHON 283CSL1507	283CSL1507	350 Lbs.
SUB-BASE: STRUCTURAL STEEL	V7087375	126 Lbs.
ISOLATORS: (4) Barry Controls 256416	V7256416	4 Lbs.
ENCLOSURE: CLAY POWDER COAT, 14 GA. STEEL SOUND ATTENUATED ENCLOSURE	V7GR09459	465 Lbs.
FUEL TANK: U1342 270 GALLON DOUBLE WALL	V7344078	1056 Lbs.
SILENCER: SIDE-IN TOP-OUT VERTICAL MOUNT INTERNALLY MOUNTED	V7162392	19 Lbs.
(1) BATTERIES: GROUP 26 STYLE 12V BATTERY RACK AND CABLES FOR BATTERY NOTE: RACK IS INTEGRAL TO THE SKID CIRCUIT BREAKER: AMP 48B 48B ENCLOSURE	V716266	30 Lbs.
FUEL LINES/FITTINGS	V7GR03135	MISC.
FLUID DRAIN EXTENSION: WITH VALVE ROUTED TO SKID CONTROL PANEL	V7F7108N	MISC.
HARDWARE: BOLTS, NUTS, WASHERS, LATCHES		MISC.
FLUIDS: OIL & ANTIFREEZE		MISC.
WEIGHT SUBTOTAL		2,585 Lbs.
MISC. WEIGHT SZ. of subtotal		129 Lbs.
TOTAL WEIGHT:		2,714 Lbs.



ENCLOSURE MATERIAL: 14 ga. Galvalume
COLOR: Akzonobel Clay #20-8247HY POWDER COAT

DATE	BY	TITLE
8-31-11	JMM	TAYLOR POWER SYSTEMS
8-31-11	JMM	TD28 SOUND ATTENUATED ENCLOSURE WITH 270 GAL BASETANK
9-6	JMM	APPROVED
		SCALE
		REV