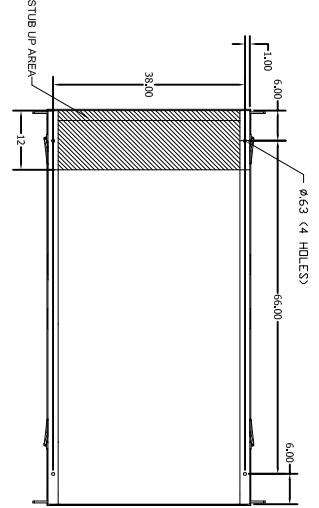
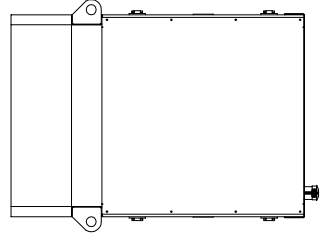
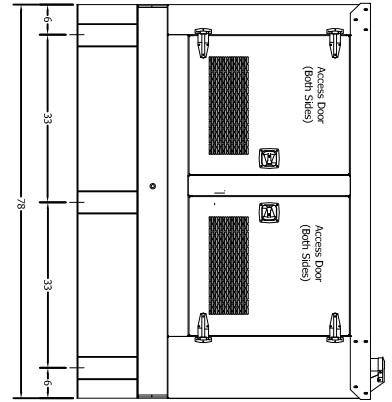
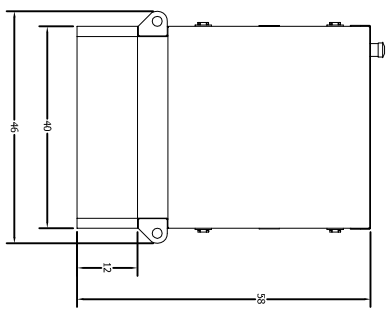
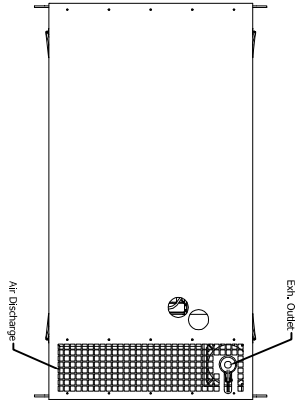


CUSTOMER APPROVAL SIGNATURE	APPROVAL DATE	COMMENTS
<b>INCLUDED FEATURES</b>	<b>PART #</b>	<b>WEIGHT</b>
ENGINE PERKINS 404D-22TIG (radiation through flywheel)	GP65795	535 Lbs.
ALTERNATOR MARATHON 283C3L1507	283C3L1507	350 Lbs.
SUB-BASE STRUCTURAL STEEL	V7087375	126 Lbs.
ISOLATORS: (4) Barry Controls 2564416	V72564416	4 Lbs.
ENCLOSURE: CLAY POWDER COAT, 14 GA STEEL SOUND ATTENUATED ENCLOSURE	V7GR008459	465 Lbs.
FUEL TANK: UL142 80 GALLON DOUBLE WALL	V7124078	510 Lbs.
SILENCER: SIDE-IN TOP-OUT VERTICAL MOUNT INTERNALLY MOUNTED	V762392	19 Lbs.
(D) BATTERIES: GROUP 26 STYLE 12V BATTERY RAK AND CABLES FOR BATTERY NOTE: RACK IS INTEGRAL TO THE SKID	V762026	30 Lbs.
CIRCUIT BREAKER AMP 888 ABB ENCLOSURE		MISC.
FUEL LINES/FITTINGS	V7GR00325	MISC.
FLUID BRAIN EXTENSION WITH VALVE ROOTED TO SKID	V77108N	MISC.
CONTROL PANEL		MISC.
HARDWARE: BOLTS, NUTS, WASHERS, LATCHES		MISC.
FLUIDS: OIL & ANTIFREEZE		MISC.
WEIGHT SUBTOTAL		2,039 Lbs.
MISC. WEIGH 5% of subtotal		102 Lbs.
<b>TOTAL WEIGHT:</b>		<b>2,141 Lbs.</b>



ENCLOSURE MATERIAL: 14 ga. Galvalume  
 COLOR: Akzonobel Clay #20-8247HY POWDER COAT

DESIGN	DATE	TITLE
DRAWN	8-31-11	TAYLOR POWER SYSTEMS
CHECKED		
OK		
WKS		TD28 SOUND ATTENUATED ENCLOSURE WITH 80 GAL BASE TANK
APPROVED		
SIZE	DWG NO.	REV.
SCALE		