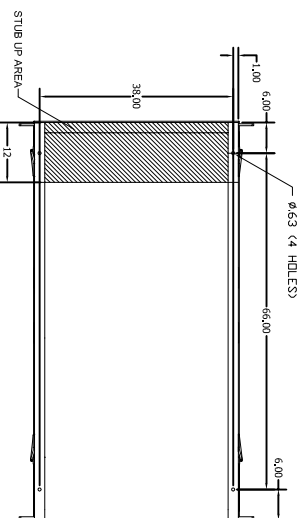
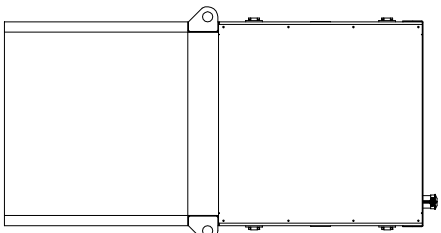
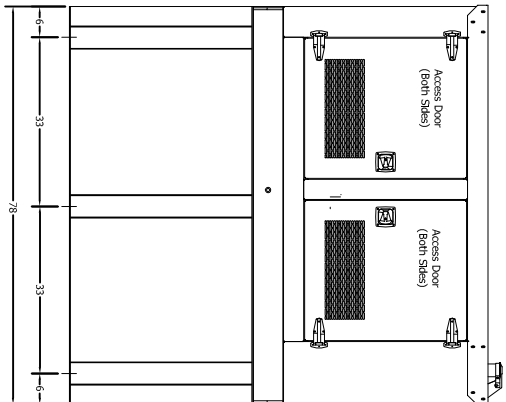
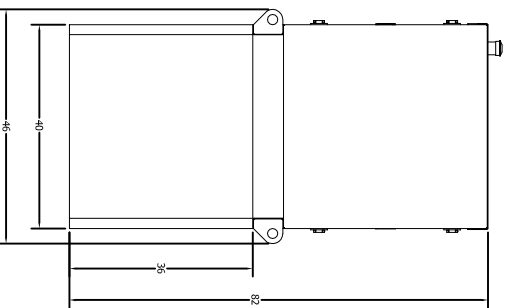
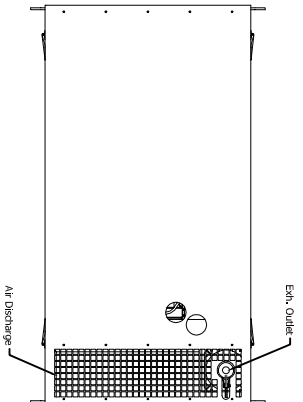


CUSTOMER APPROVAL SIGNATURE	APPROVAL DATE	COMMENTS
INCLUDED FEATURES		PART #
ENGINE: PERKINS 400-2276 (generator through flywheel)	6P65795	535 Lbs.
ALTERNATOR: MARATHON 283CSL1507	283CSL1507	350 Lbs.
SUB-BASE: STRUCTURAL STEEL	V1097375	126 Lbs.
ISOLATORS: (4) Barry Controls 256416	V1256416	4 Lbs.
ENCLOSURE: CLAY POWDER CPAT 14 GA. STEEL STANDARD ENCLOSURE	V1GR008459	465 Lbs.
FUEL TANK: ULLAGE 270 GALLON DOUBLE WALL	V1364078	1056 Lbs.
SILENCER: SIDE-IN TOP-OUT VERTICAL MOUNT INTERNALLY MOUNTED	V162302	19 Lbs.
(4) BATTERIES: GRIPE 26 STALE 12V BATTERY RACK AND CABLES FOR BATTERY Note: Rack is integral to the skid	V16006	30 Lbs.
CIRCUIT BREAKER: AMP ABB		MISC.
FUEL LINES/FITTINGS	V1GR003135	MISC.
FLUID BRAIN EXTENSION WITH VALVE ROUNDED TO SKID	V17109N	MISC.
CONTROL PANEL		MISC.
HARDWARE: BOLTS, NUTS, WASHERS, LATCHES		MISC.
FLUIDS: OIL & ANTIFREEZE		MISC.
WEIGHT SUBTOTAL		2,585 Lbs.
MISC. WEIGHT 5% of subtotal		129 Lbs.
TOTAL WEIGHT:		2,714 Lbs.



ENCLOSURE MATERIAL: 14 ga. Galvaneal  
 COLOR: Akzonobel Clay #20-8247HY POWDER COAT

FORM NO.	DATE	TITLE	SCALE	BY
8-31-11		TAYLOR POWER SYSTEMS		
DESIGNED		TD28 STANDARD ENCLOSURE		
QA		WITH 270 GAL BASE TANK		
CHKD				
APPROVED				