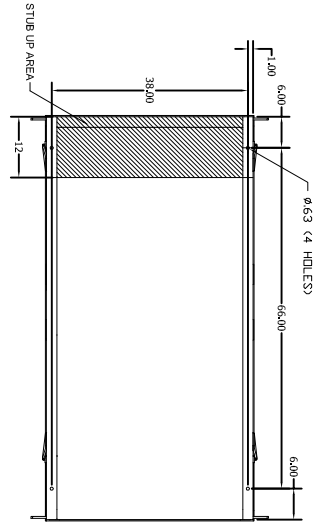
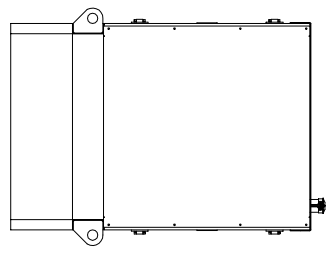
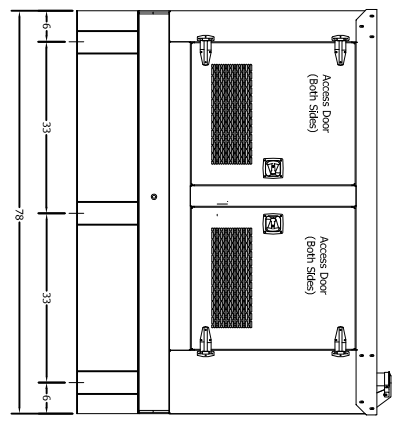
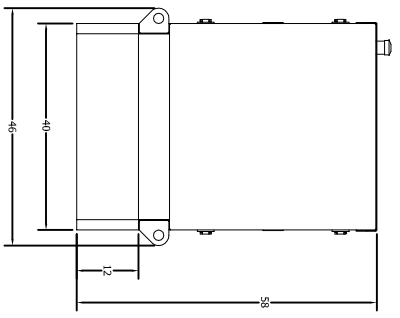
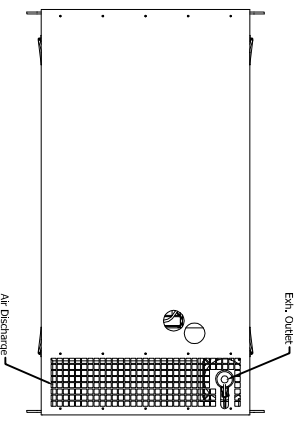


CUSTOMER APPROVAL SIGNATURE	APPROVAL DATE	COMMENTS
INCLUDED FEATURES		PART #
ENGINE PERKINS 4020-11G (generator through flywheel)		6J65598
ALTERNATOR MARATHON 281C1L1502		281C1L1502
SUB-BASE STRUCTURAL STEEL		V708/7375
ISOLATORS: (4) Barry Controls 256416		V7256416
ENCLOSURE: CLAY POWDER COAT, 14 GA STEEL STANDARD ENCLOSURE		V7GR008459
FUEL TANK: UL142 80 GALLON DOUBLE WALL		V7124078
SILENCER: SIDE-IN TOP-OUT VERTICAL MOUNT INTERNALLY MOUNTED		V762302
(1) BATTERIES: GROUP 26 STYLE 12V BATTERY RACK AND CABLES FOR BATTERY Note: Rack is integral to the skid CIRCUIT BREAKER: AMP ABB ABB ENCLOSURE		V716026
FUEL LINES/FITTINGS		V7GR003135
FLUID DRAIN EXTENSION WITH VALVE ROUTED TO SKID CONTROL PANEL		V71708N
HARDWARE: BOLTS, NUTS, WASHERS, LATCHES		MISC.
FLUIDS: OIL & ANTIFREEZE		MISC.
WEIGHT SUBTOTAL		1,659 Lbs.
MISC. WEIGHT 5% of subtotal		83 Lbs.
TOTAL WEIGHT:		1,742 Lbs.



ENCLOSURE MATERIAL: 14 ga. Galvalume
 COLOR: Akzonobel Clay #20-8247HY POWDER COAT

DATE	BY	DESCRIPTION
8-31-11		TAYLOR POWER SYSTEMS
0A		TD9 STANDARD ENCLOSURE WITH 80 GALLON BASE TANK
TRG		
APPROVED		
SCALE		
REV		