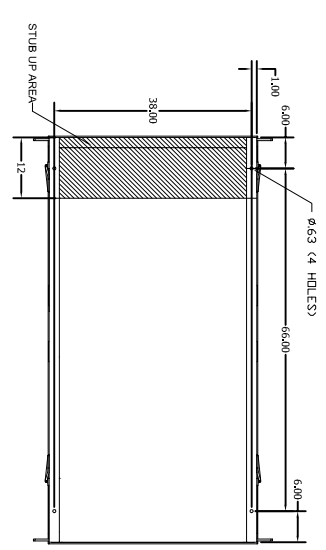
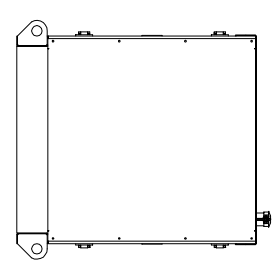
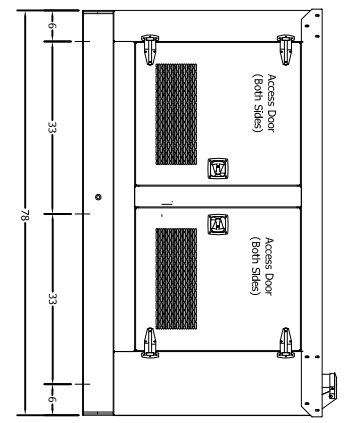
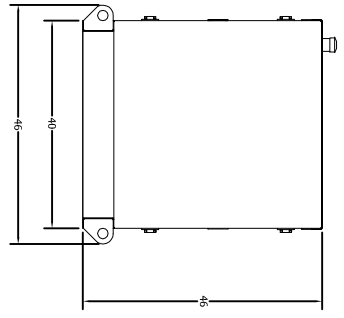
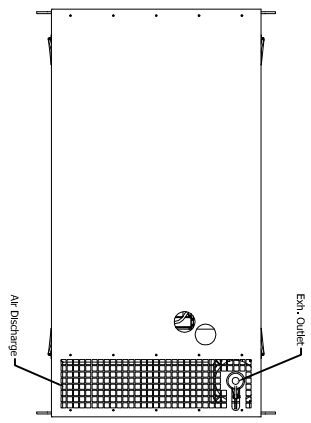


CUSTOMER APPROVAL SIGNATURE	APPROVAL DATE	COMMENTS
INCLUDED FEATURES		PART #
ENGINE PERKINS 403D-11G (generator through flywheel)	C165598	285 Lbs.
ALTERNATOR MARATHON 281CCL1502	281CCL1502	220 Lbs.
SUB-BASE STRUCTURAL STEEL	V1081375	126 Lbs.
ISOLATORS (4) Barry Controls 256416	V126416	4 Lbs.
ENCLOSURE CLAY POWDER COAT, 14 GA. STEEL STANDARD ENCLOSURE	V176008459	465 Lbs.
SILENCER SIDE-IN TOP-OUT VERTICAL MOUNT INTERNALLY MOUNTED	V162302	19 Lbs.
(2) BATTERIES GROUP 26 STYLE 12V BATTERY RACK AND CABLES FOR BATTERY Note: Rack is integral to the skid	V161026	30 Lbs.
CIRCUIT BREAKER AMP 888 ABB ENCLOSURE	V176003135	MISC.
FUEL LINES/FITTINGS	V171088	MISC.
FLUID PREAM EXTENSION WITH VALVE ROUTED TO SKID		MISC.
CONTROL PANEL		MISC.
HARDWARE: BOLTS, NUTS, WASHERS, LATCHES		MISC.
FLUIDS: OIL & ANTIFREEZE		MISC.
WEIGHT SUBTOTAL		1,149 Lbs.
MISC. WEIGHT 5% of subtotal		57 Lbs.
TOTAL WEIGHT:		1,206 Lbs.



ENCLOSURE MATERIAL: 14 ga. Galvalume
 COLOR: Akzonobel Clay #20-8247HY POWDER COAT

DESIGN		TITLE	
DATE	8-31-11	TAYLOR POWER SYSTEMS	
CHECKED		TD9 STANDARD ENCLOSURE	
QA			
PROG			
APPROVED		SCALE	DWG NO.
			REV