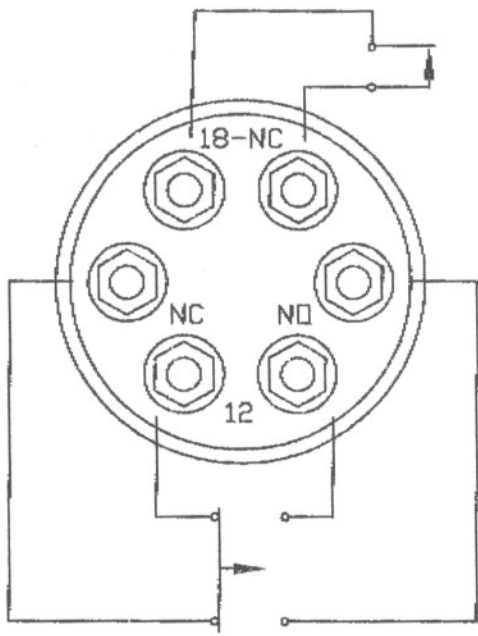
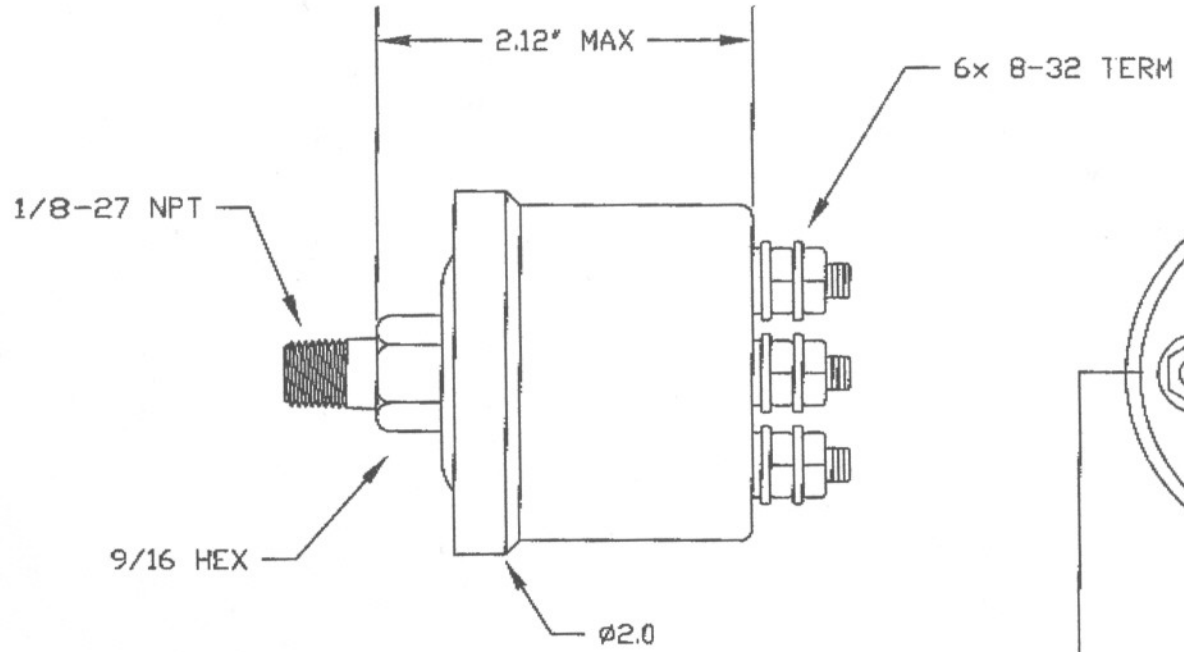


DRAWING NUMBER
SP-2BZ-12F/6T12

REV	DATE	DESCRIPTION	BY

APP: Ed
 (252) 321-7386



CIRCUIT: SPST-NC TO CLOSE AT 18 PSI FALLING PRESSURE
 SPDT-DB TWO CIRCUITS ONE TO CLOSE CIRCUIT
 THE OTHER TO OPEN AT 12 PSI FALLING PRESSURE

TERMINATION: 8-32 TERMINALS.
 RATING: 15 AMP B CIRCUIT /10 AMP Z CIRCUIT.
 OPERATION:

MAX PRESSURE: 750 PSI

MATERIALS:
 BASE- STEEL
 HOUSING- G/F NYLON

NASON P.O. BOX 505 WEST UNION, SC 29696 Ph: (864)638-9521 Fax: (864)638-7903		
CUSTOMER	DATE	DRAWN BY
CUMMINS ENGINE	3/27/07	
REFERENCE AREA	SCALE	APPROVED BY
	1:1	
CHANGE ON CAD ONLY.		
TITLE	DRAWING NUMBER	
PRESSURE SWITCH MODEL/SP	SP-2BZ-12F/6T12	

Mar 27 2007 15:42 P.01

Fax: 8646387903

NASON